

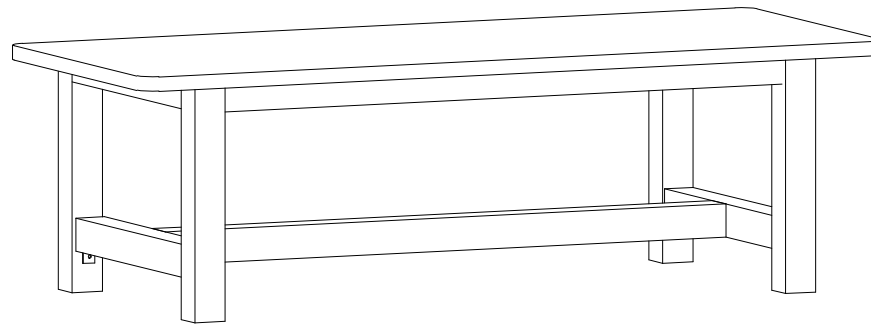
MOE'S

home collection

ASSEMBLY INSTRUCTIONS.

WILLSON DINING TABLE LARGE

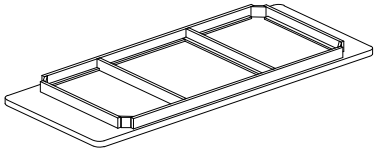
BB-1043-20



THANK YOU FOR YOUR PURCHASE!

PARTS AND HARDWARE.

1. DINING TABLE TOP X 1



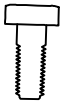
2. DINING TABLE LEG X 4



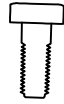
A. ALLEN KEY 5mm x 1



B. ALLEN BOLT 8MM X 50MM - 8 PCS



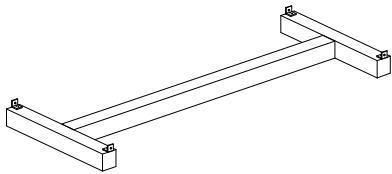
C. ALLEN BOLT 8MM X 20 MM - 4 PCS



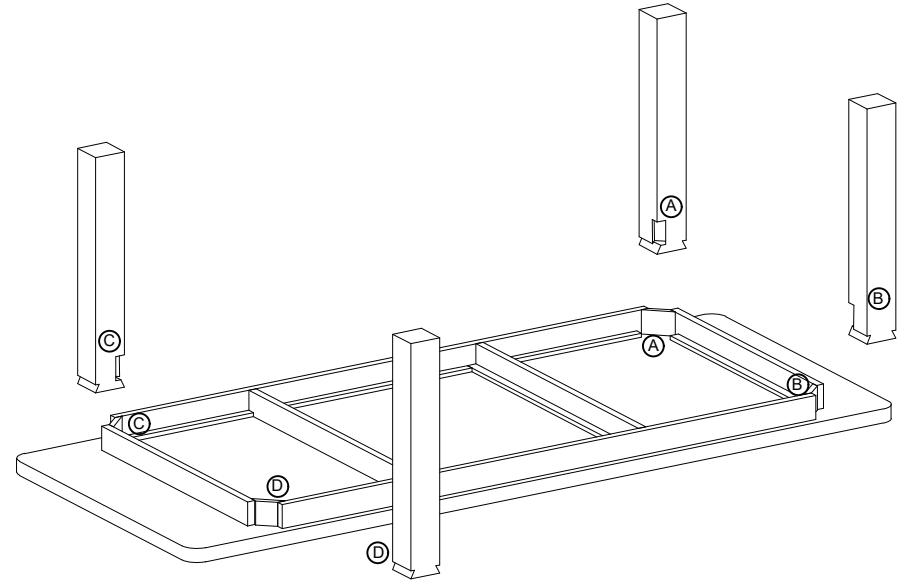
D. WASHER 8MM X 20 MM - 12 PCS



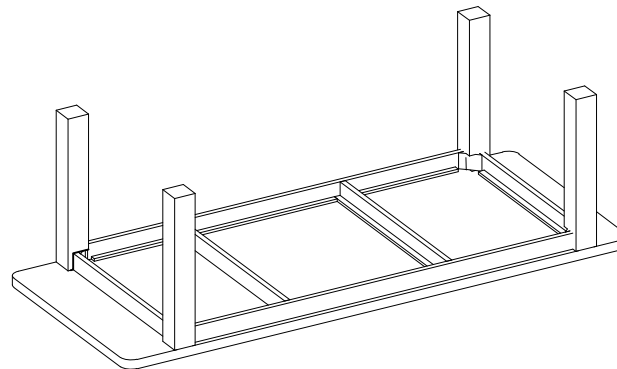
3. STRETCHER x 1



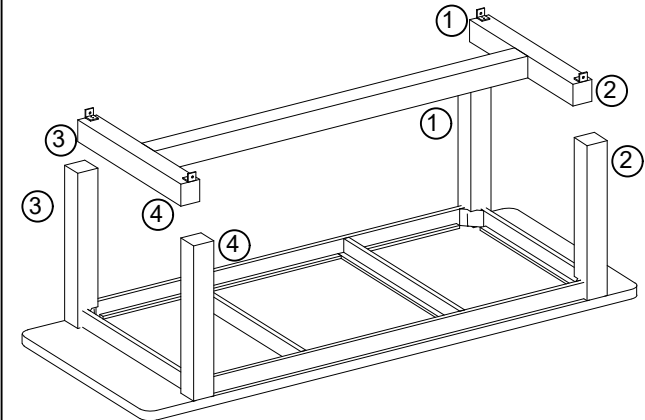
STEP I.



STEP 2.



STEP 3.



NOTES.

Thank you for purchasing this quality product! Be sure to check all the packing material carefully for small parts that may have come loose inside the carton during shipping.

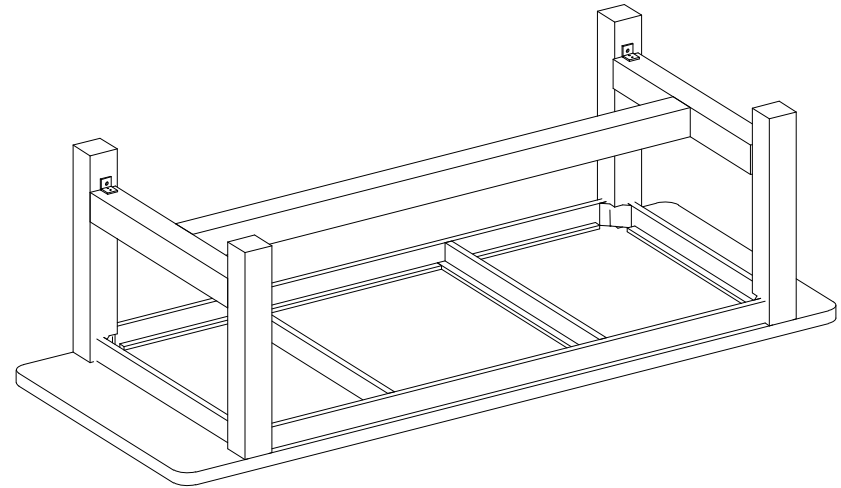
CAUTION: Keep all packaging and instructions until assembly is complete to ensure you have all required parts and hardware.

Keep small hardware out of reach of children.

The item is heavy, take care when lifting and use 2 people to maneuver safely.

Assemble the product on a padded surface to reduce the risk of scratching to the product or your work surface.

STEP 4.



STEP 5.

