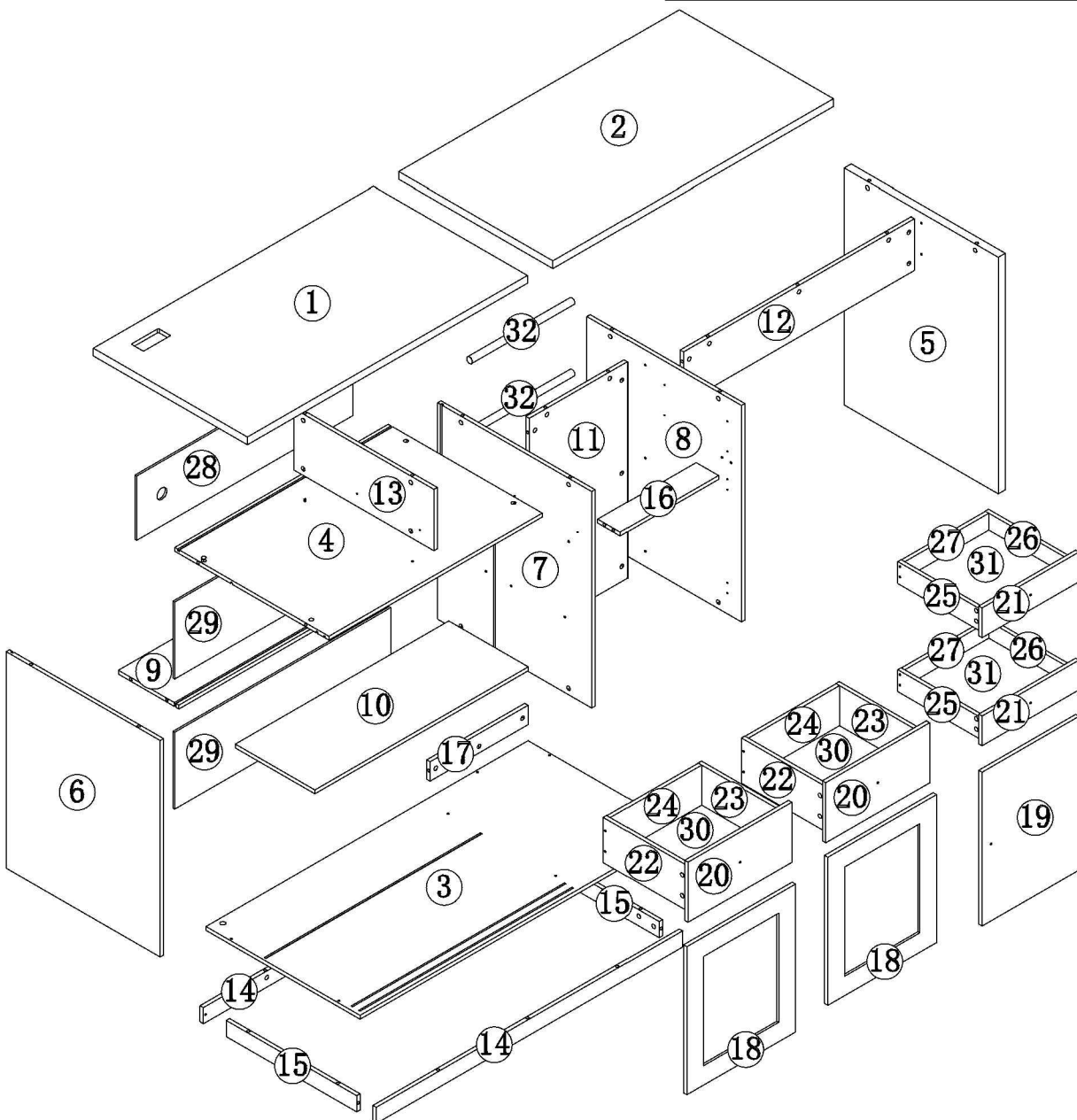
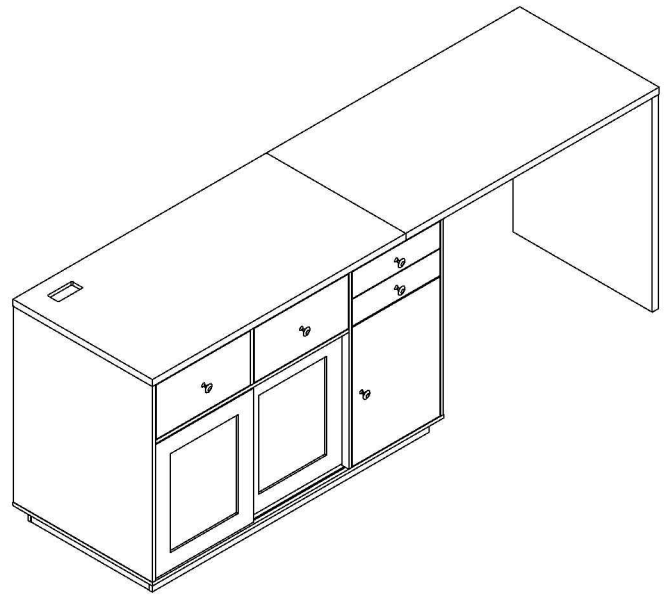
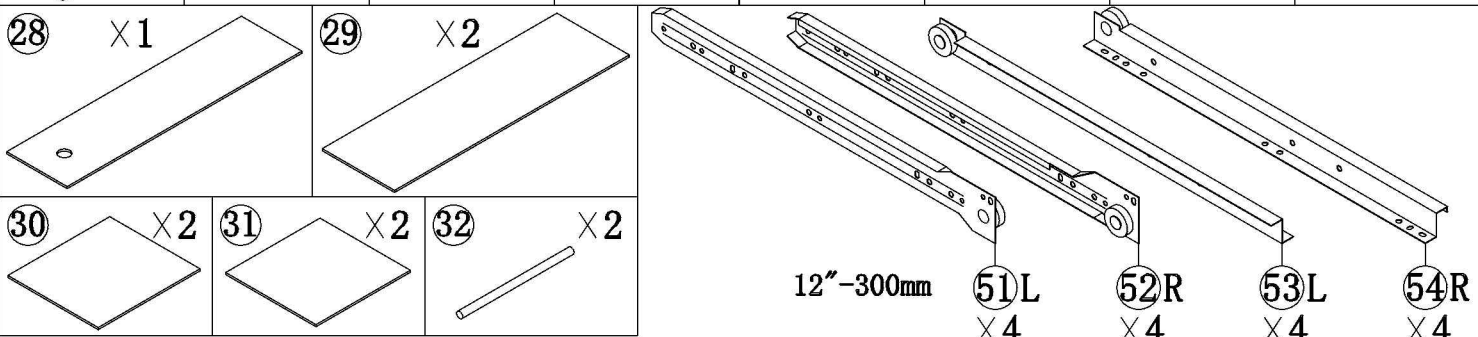
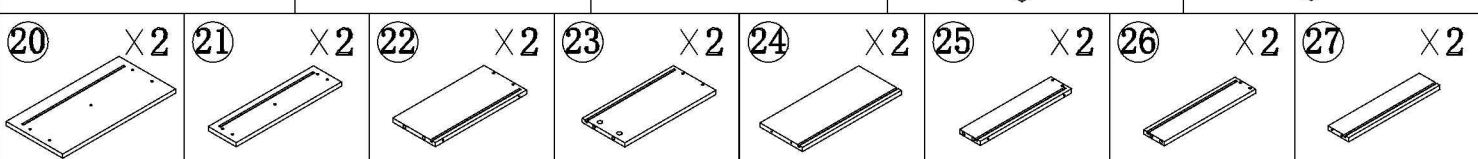
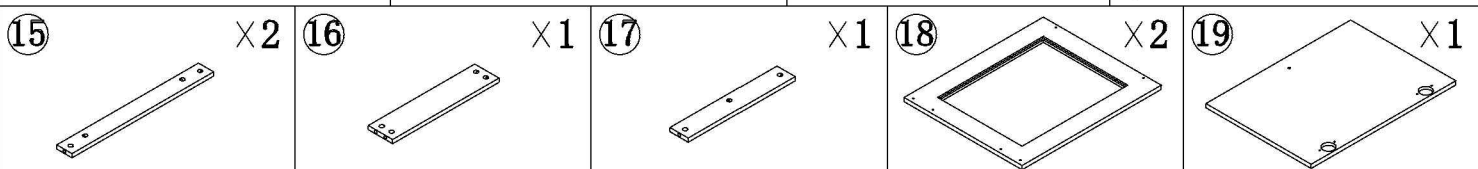
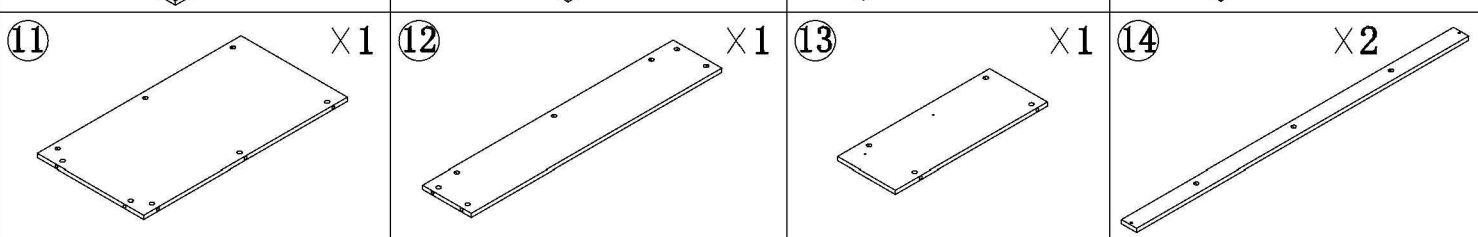
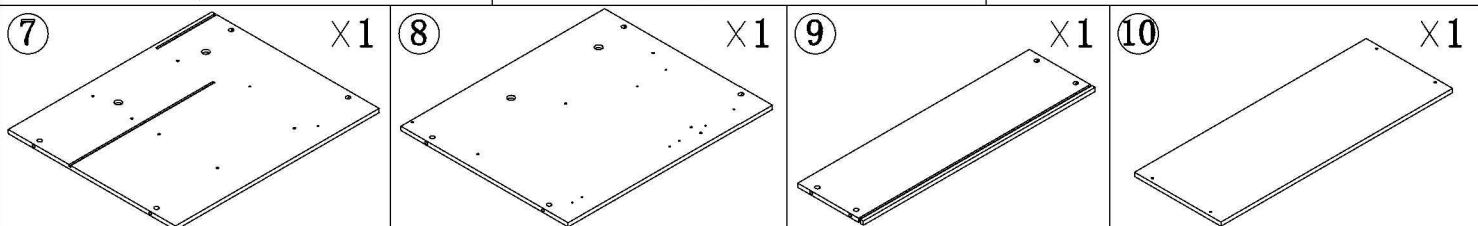
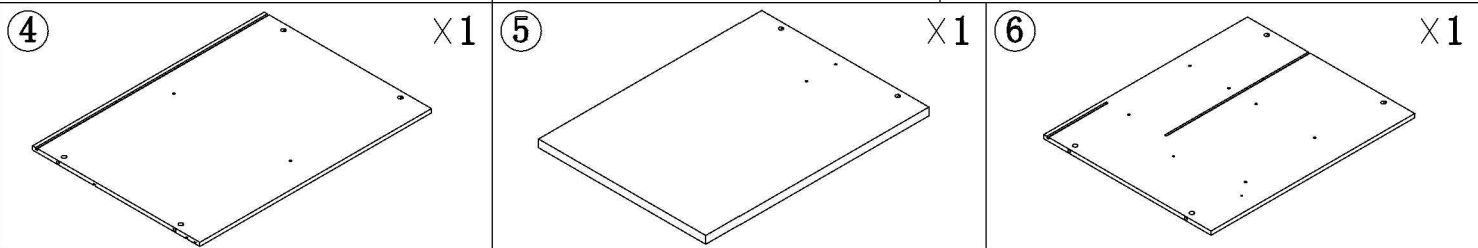
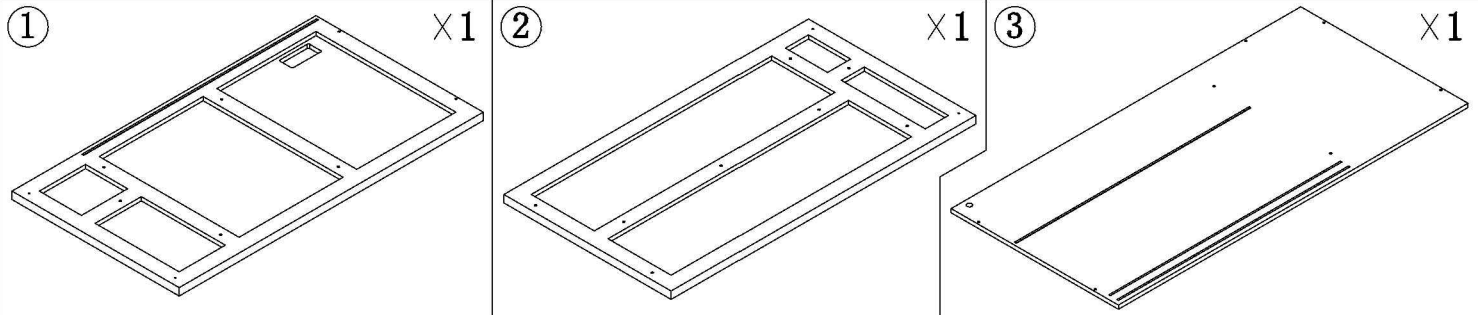


(TTAD010) ASSEMBLY INSTRUCTION

P1



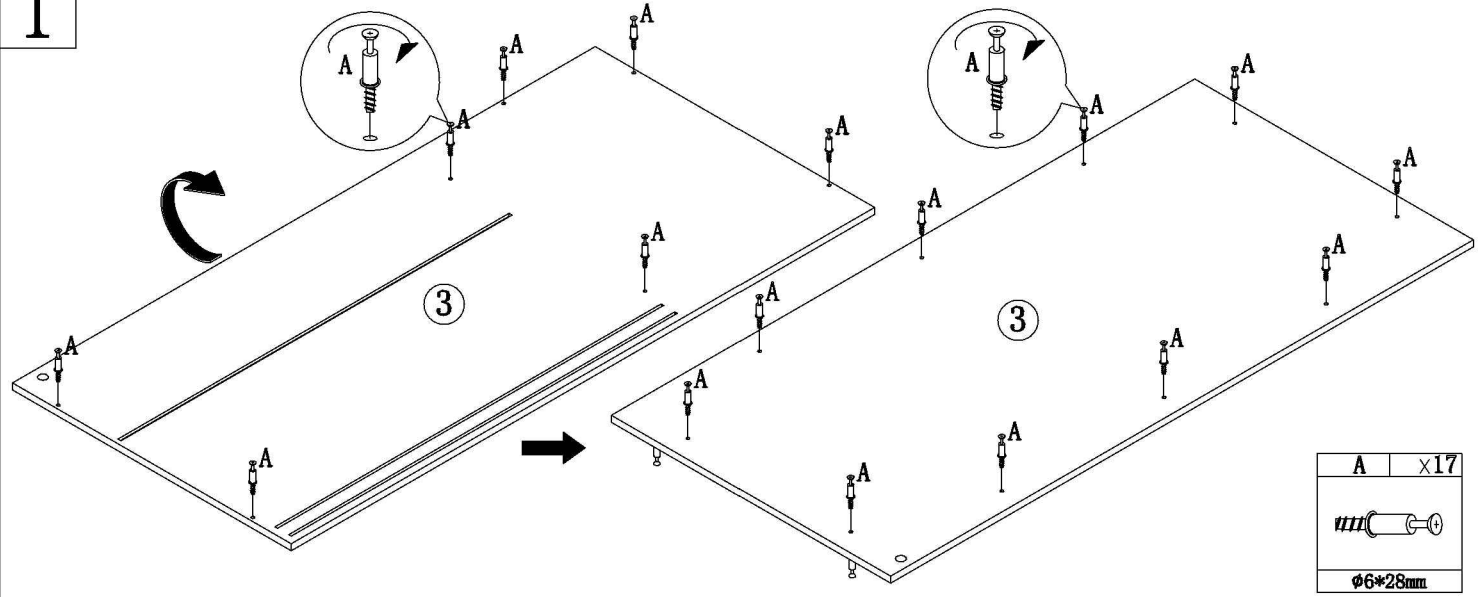
(TTAD010) ASSEMBLY INSTRUCTION P2

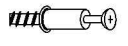


A ×78 ø6*28mm	B ×78 ø12*10mm	C ×5 	D ×5 ø4*16mm	G ×16 ø4*30mm	J ×82 ø4*12mm	K ×6 	M ×2 	P ×2
R ×4 	S ×4 	T ×4 	U ×4 	X ×1 	Y ×1 	Z ×1 		

(TTAD010) ASSEMBLY INSTRUCTION

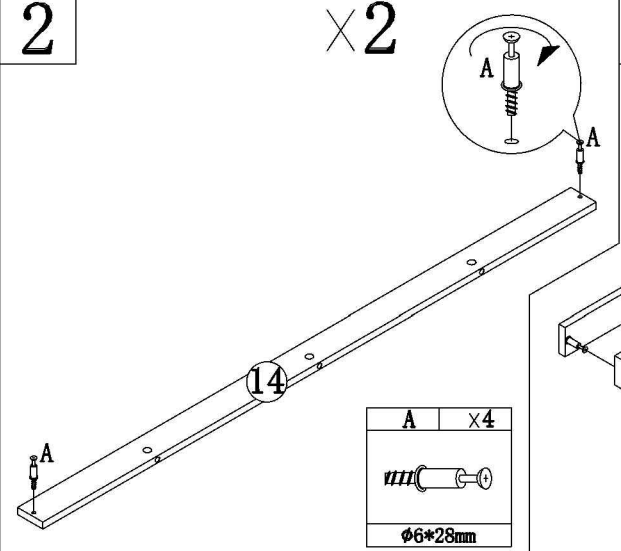
1

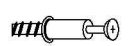


A	×17
	
φ6*28mm	

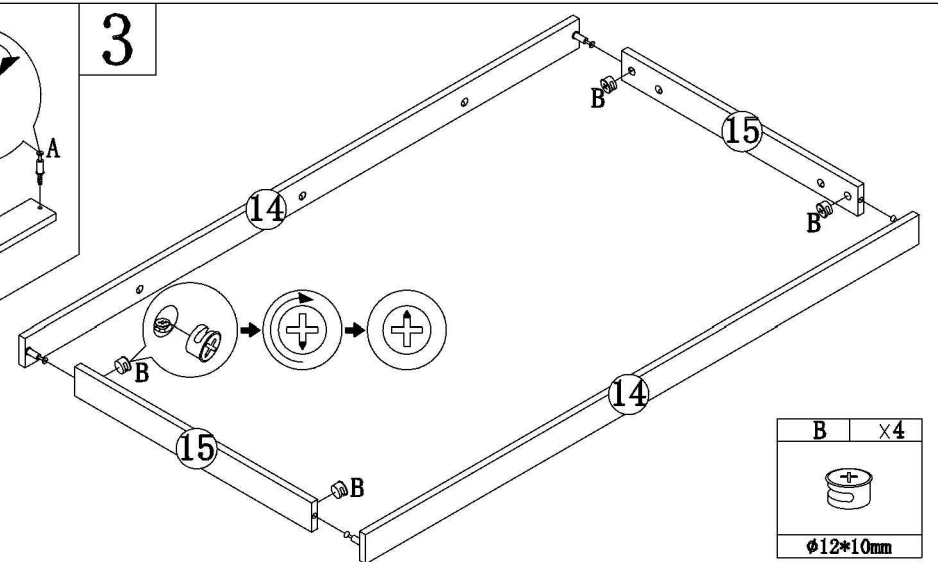
2


×2



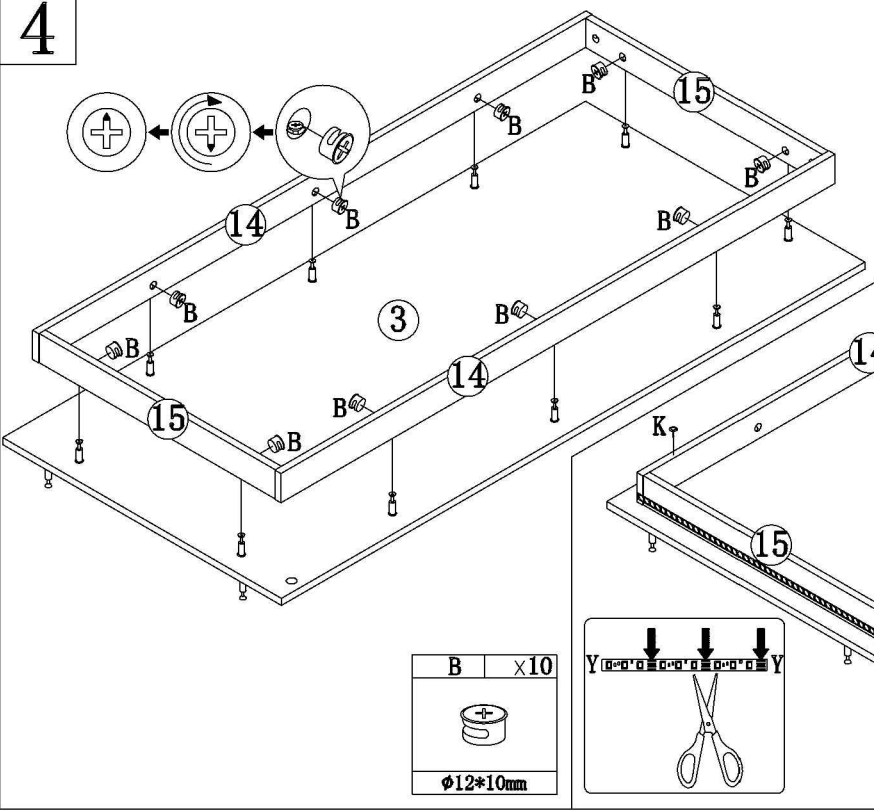
A	×4
	
φ6*28mm	


3



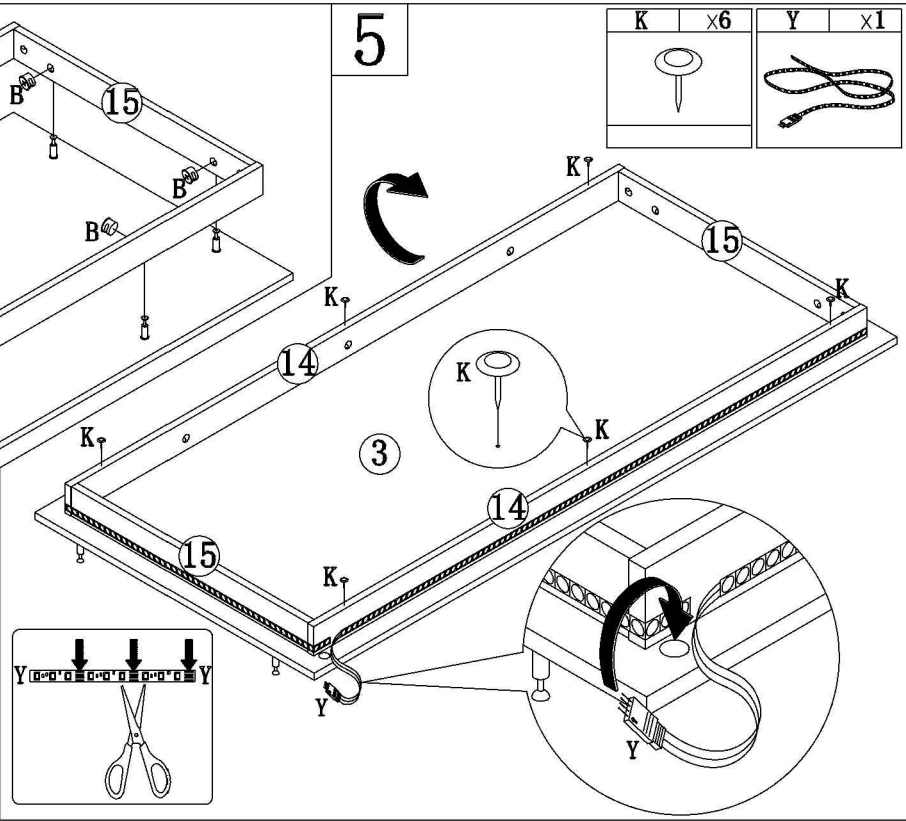
B	×4
	
φ12*10mm	


4




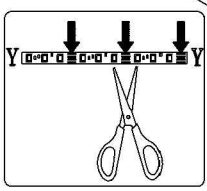
B	×10
	
φ12*10mm	

5

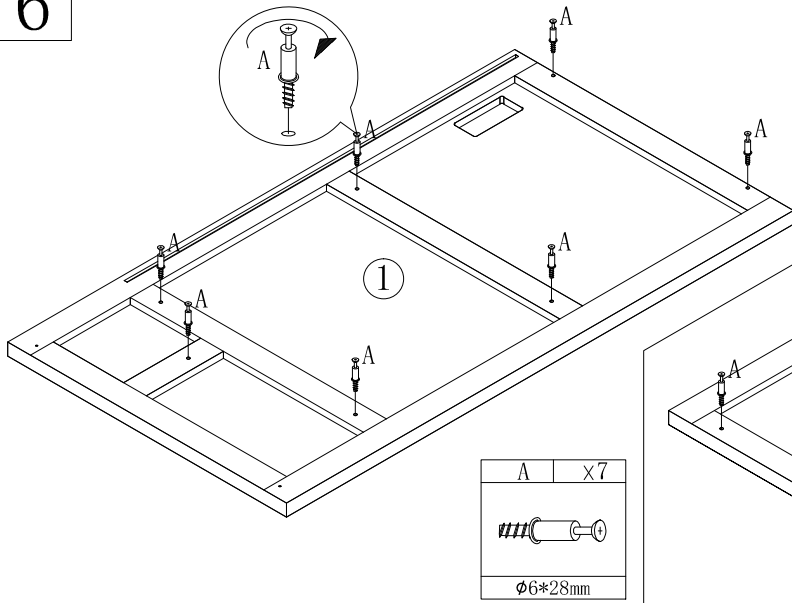



K	×6
	

Y	×1
	

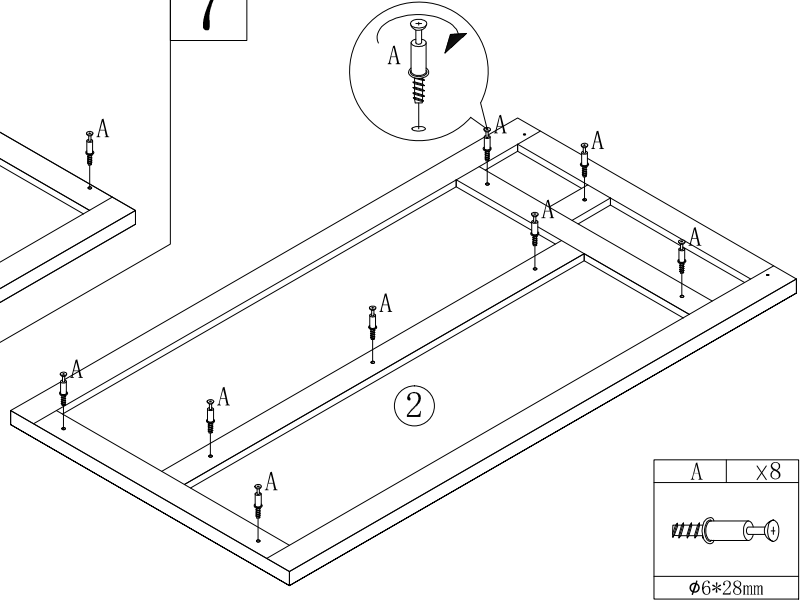



6



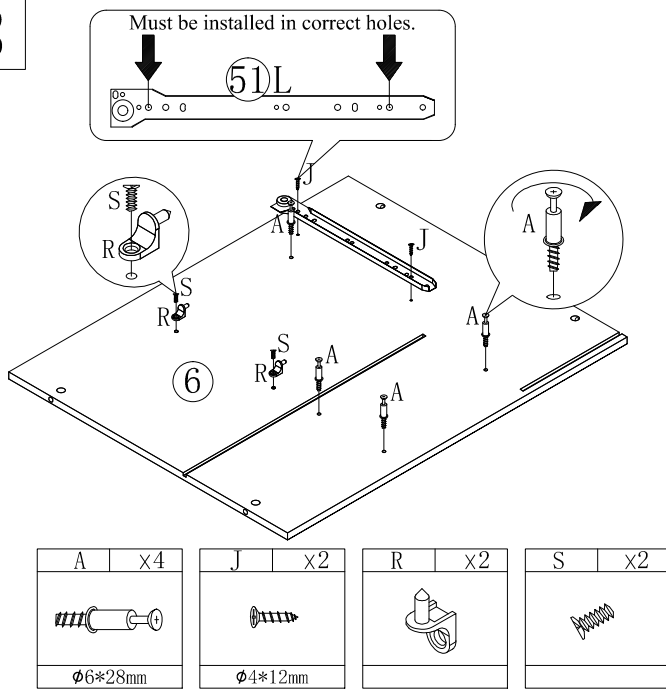
A	x7
	
Φ6*28mm	

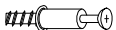
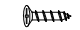
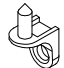

7



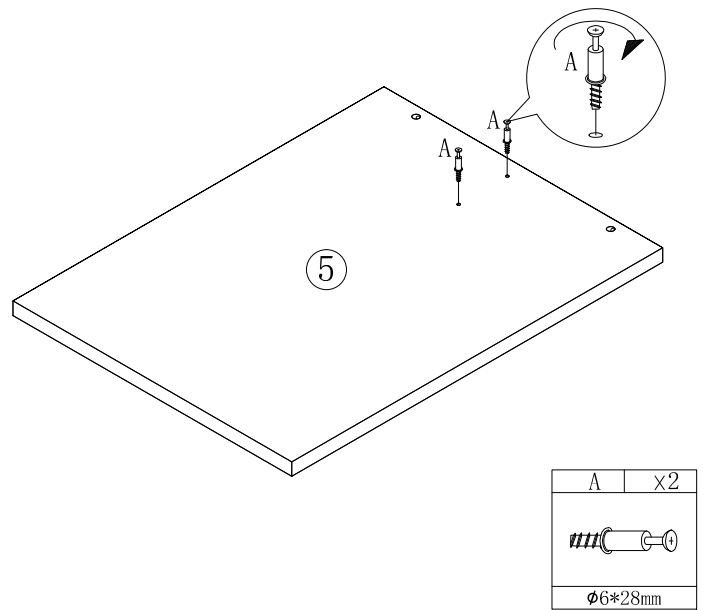
A	x8
	
Φ6*28mm	


8



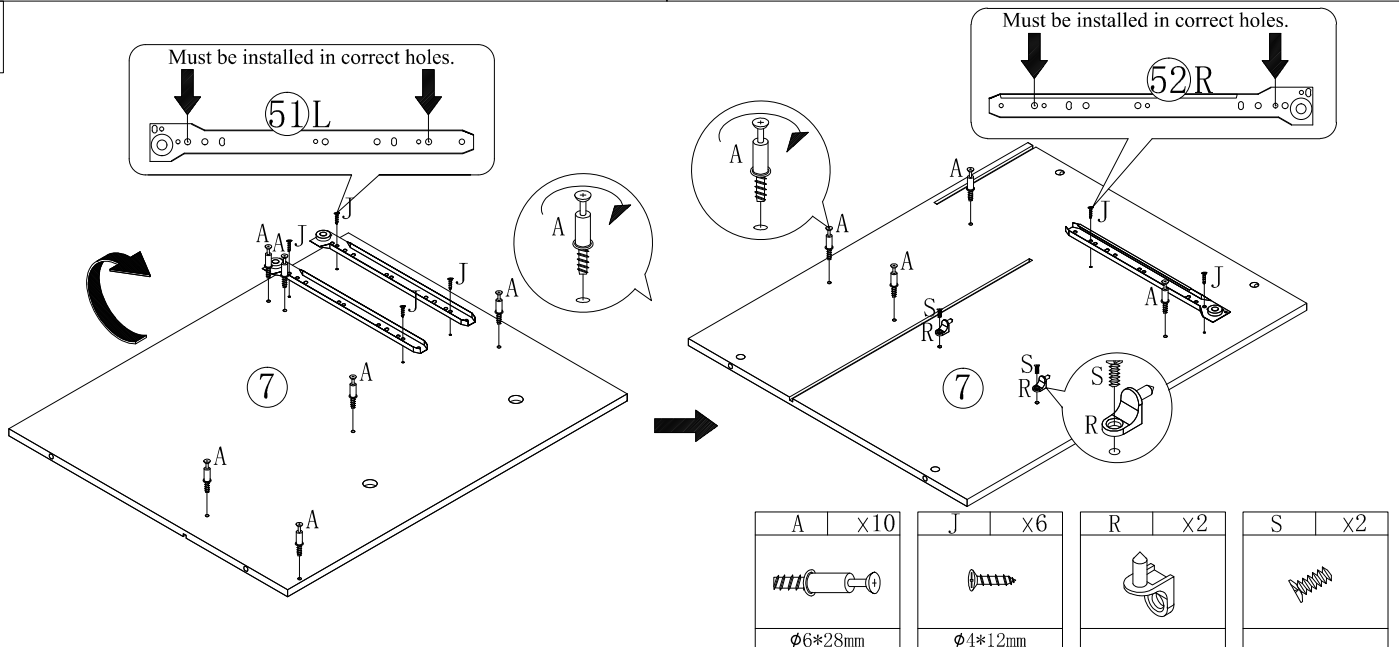
A	x4	J	x2	R	x2	S	x2
							
Φ6*28mm		Φ4*12mm					


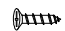


9



A	x2
	
Φ6*28mm	

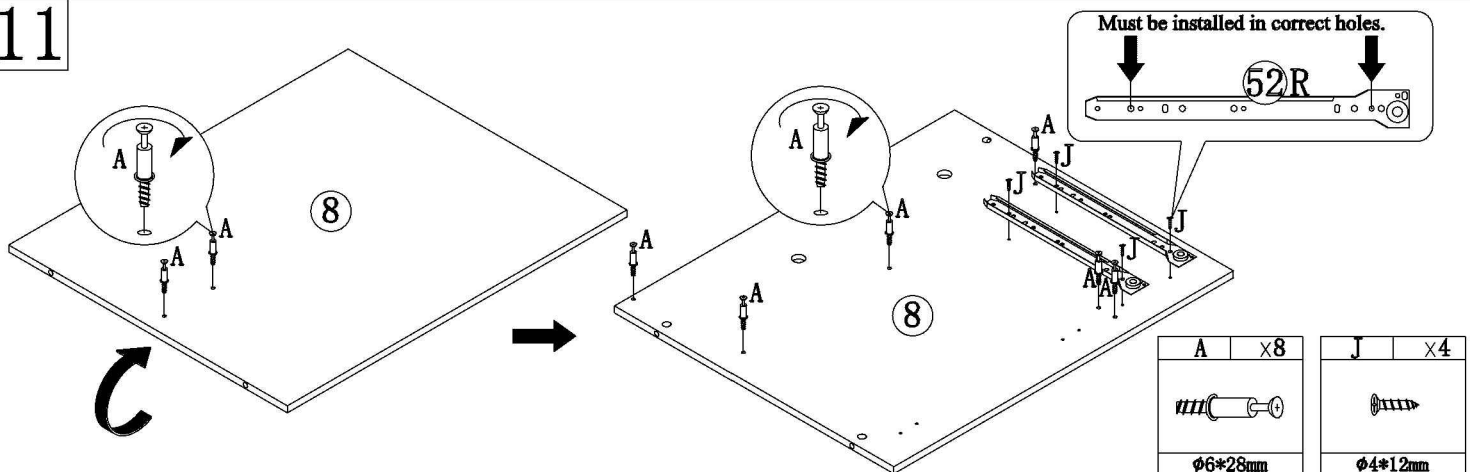
10



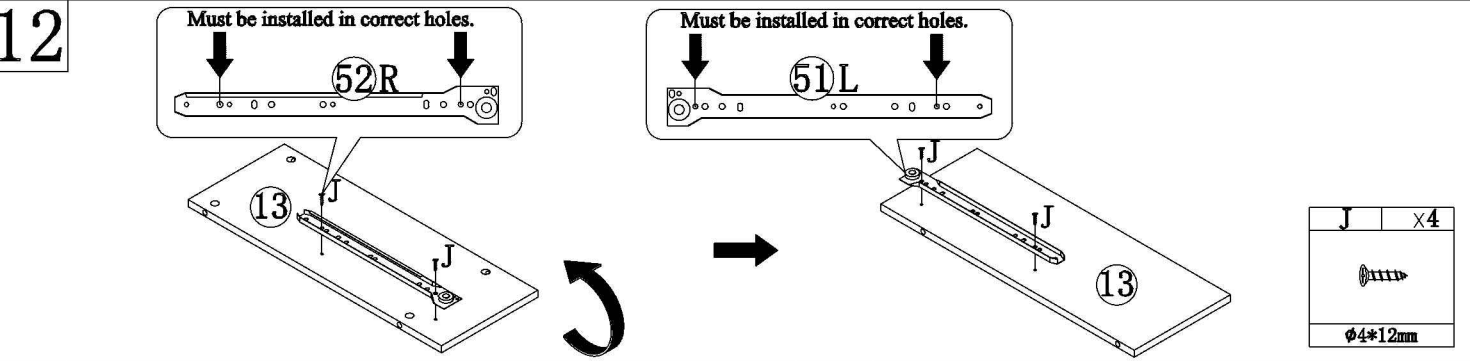
A	x10	J	x6	R	x2	S	x2
							
Φ6*28mm		Φ4*12mm					

(TTAD010) ASSEMBLY INSTRUCTION P5

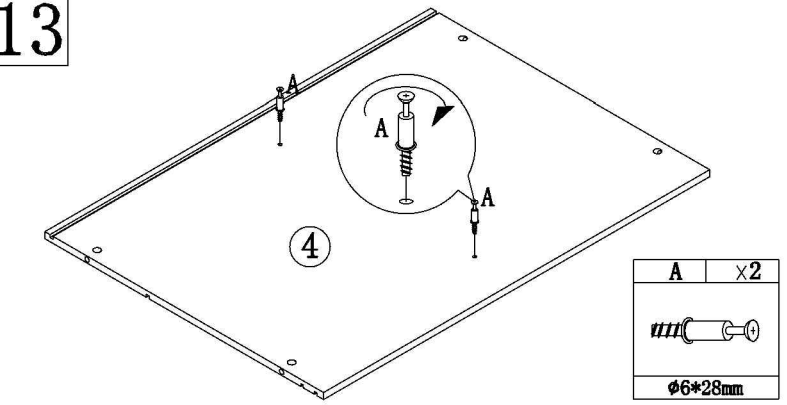
11



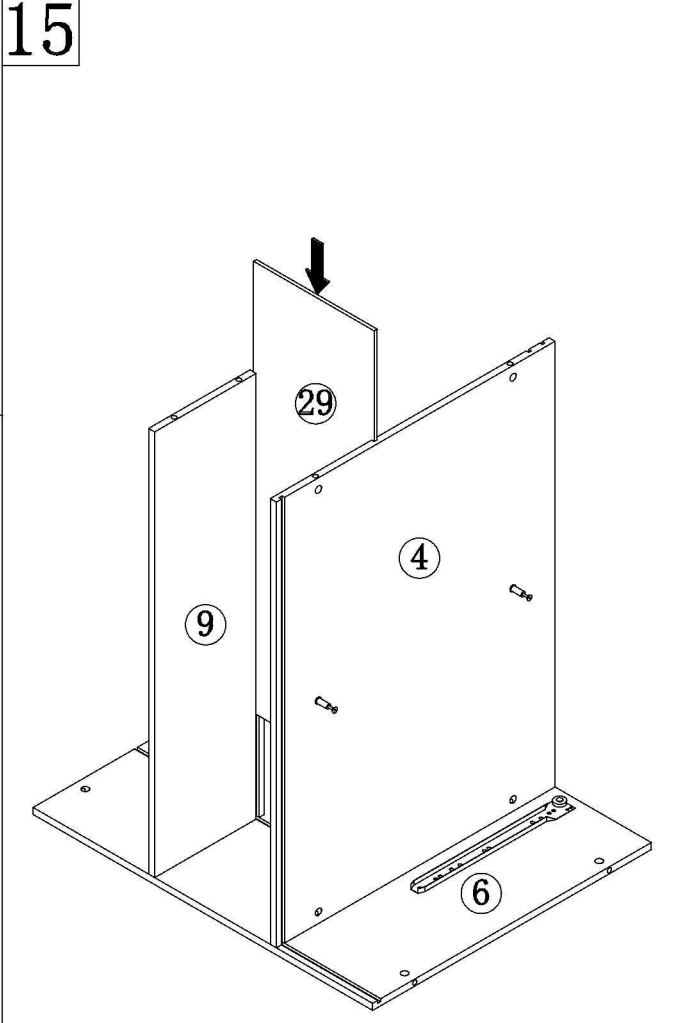
12



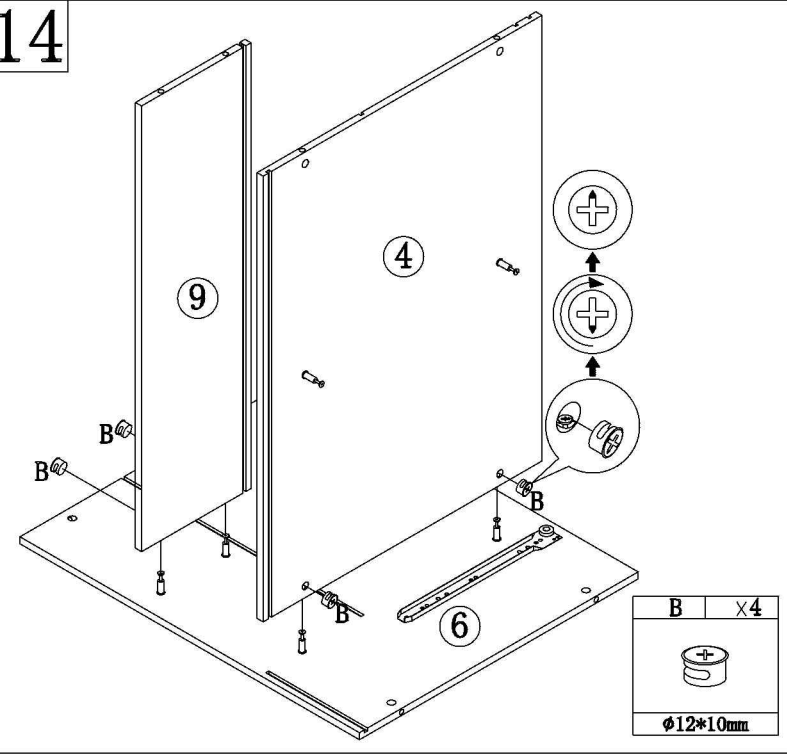
13



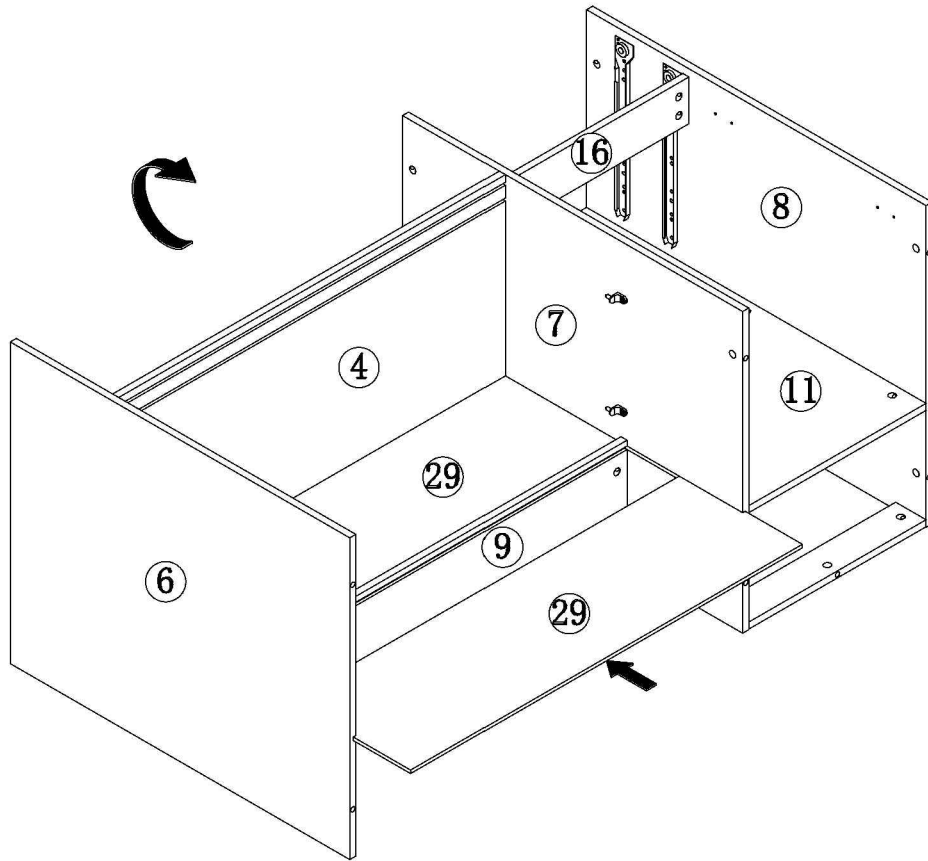
15



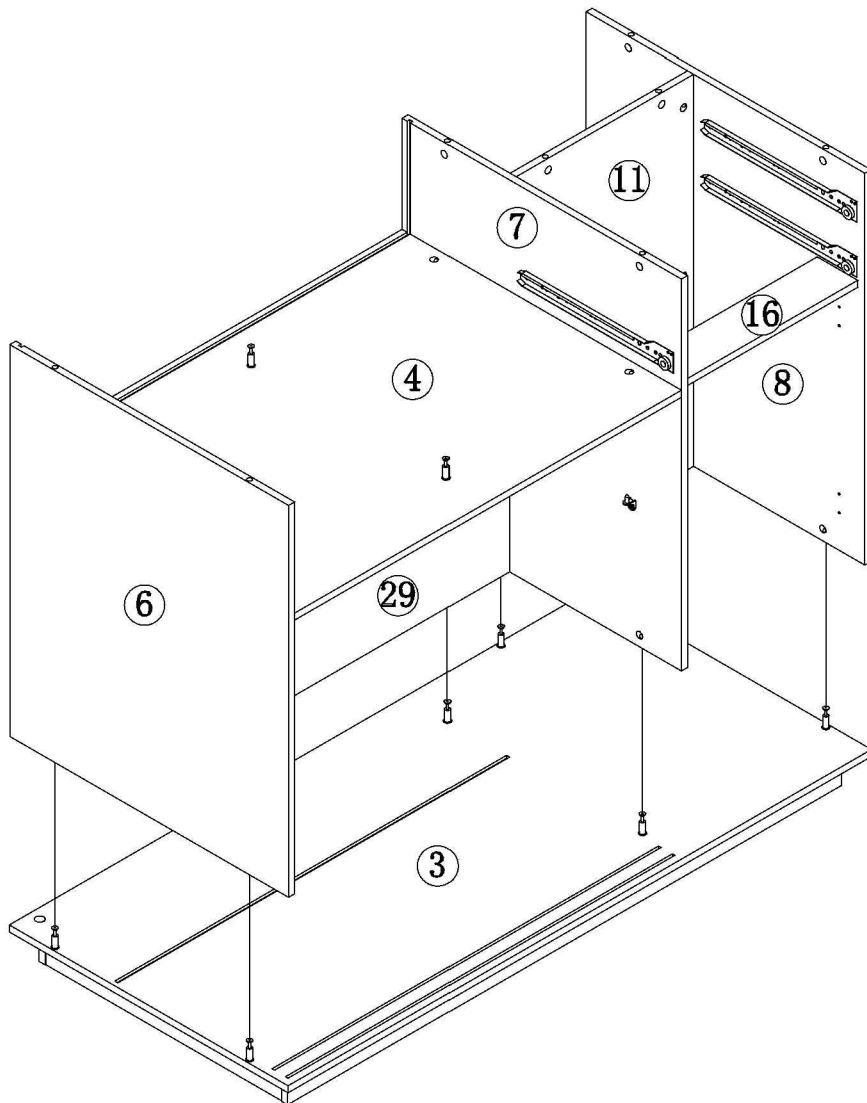
14



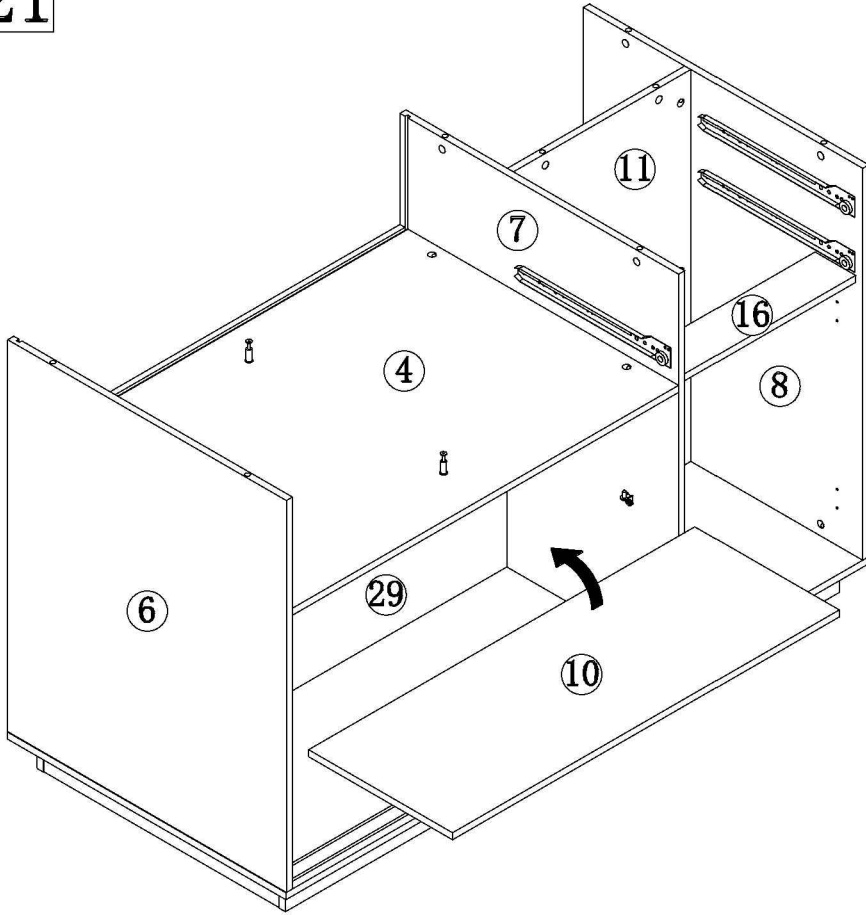
19



20

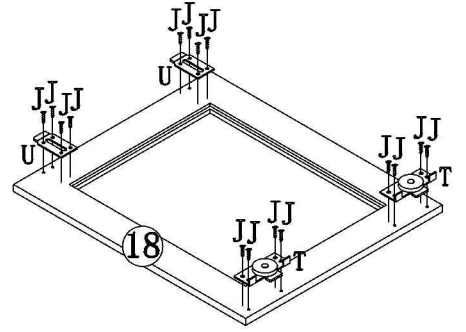



21

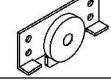


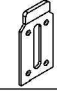
22

×2

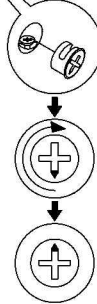
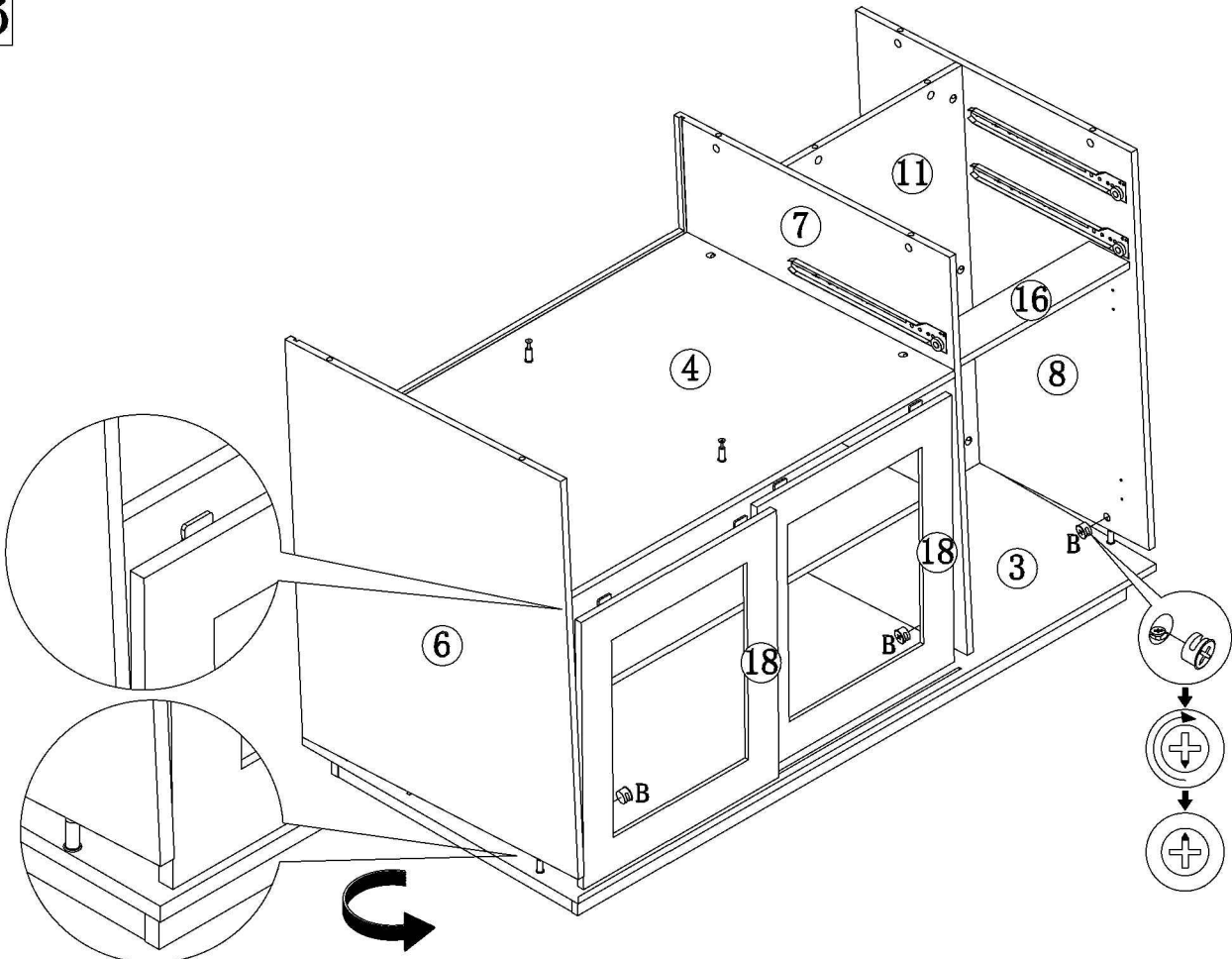



J	×32
	
φ4*12mm	

T	×4
	

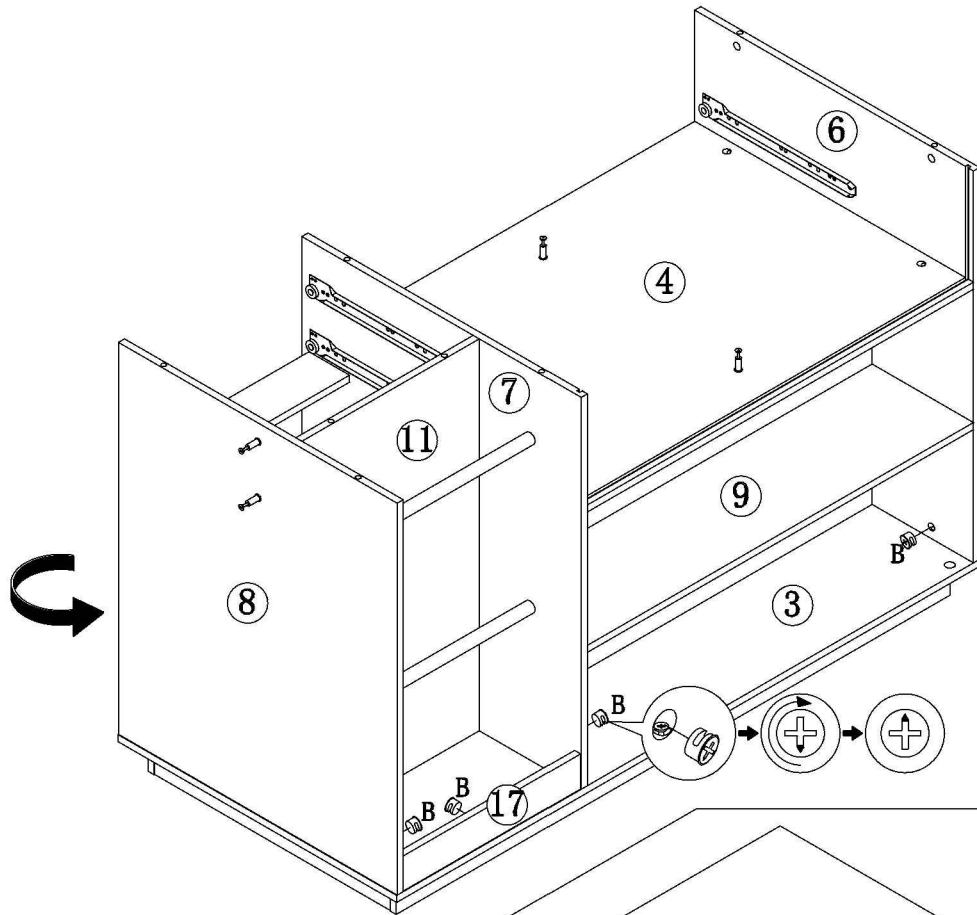
U	×4
	

23

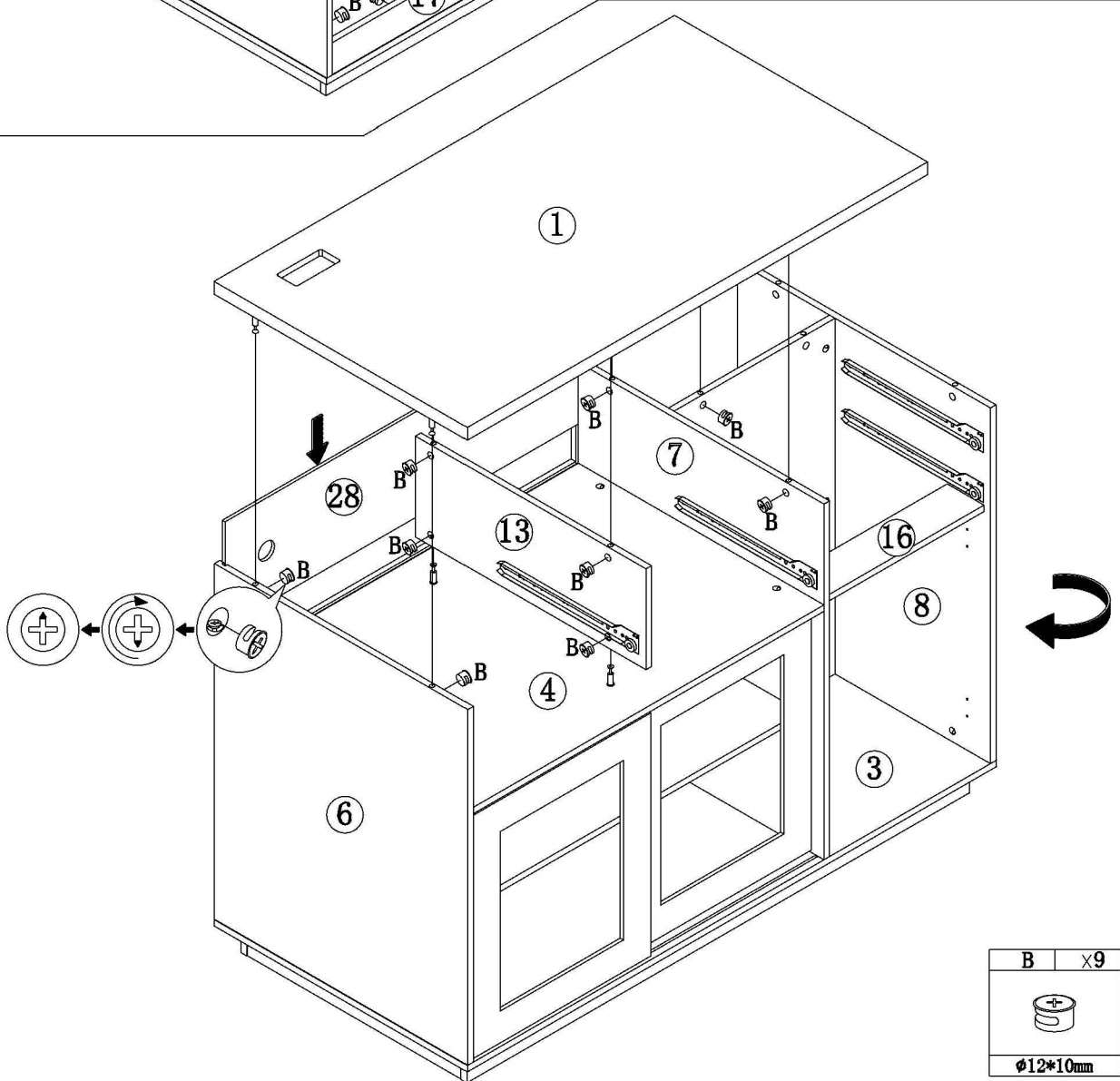


B	×3
	
φ12*10mm	

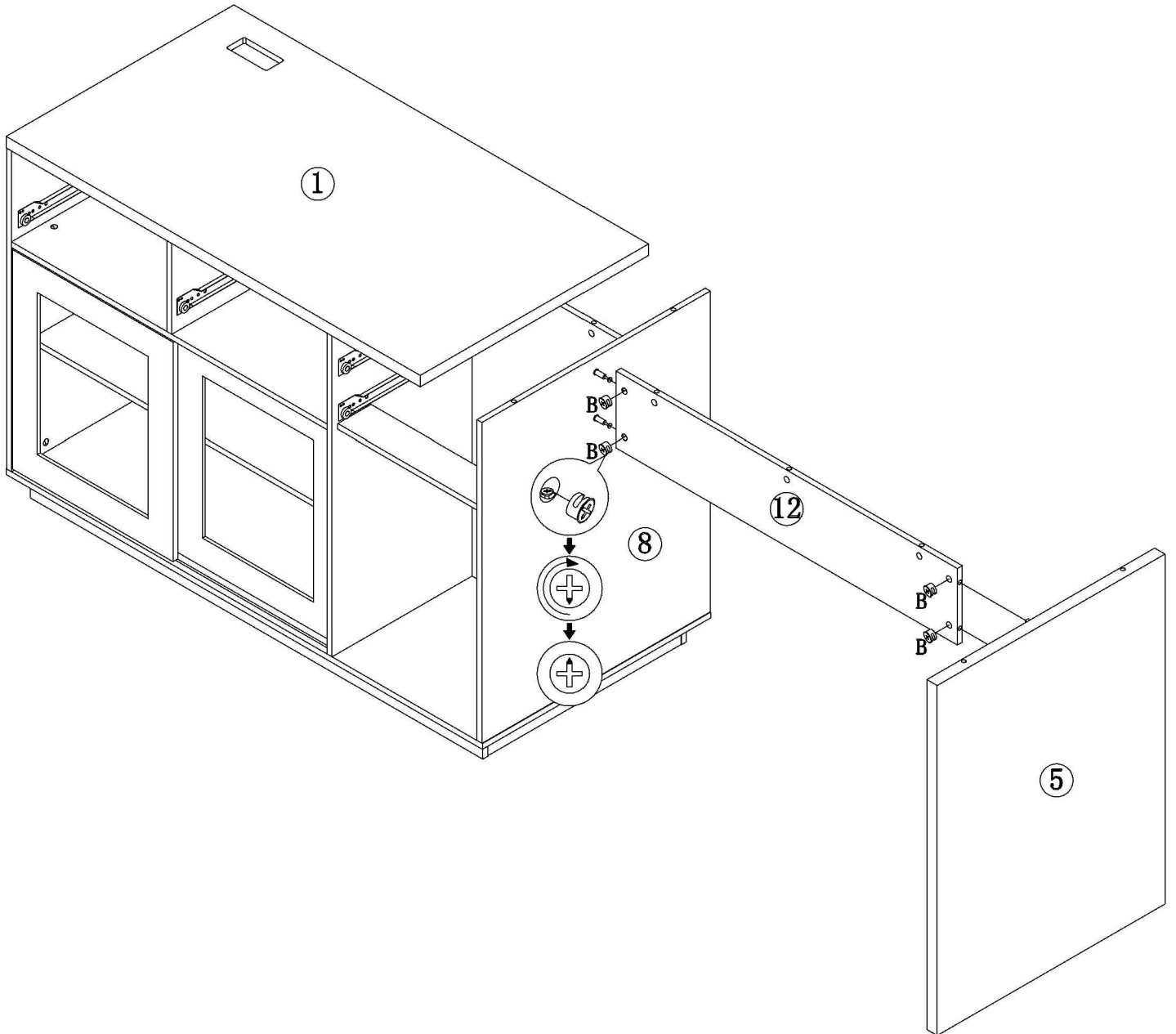
24



25

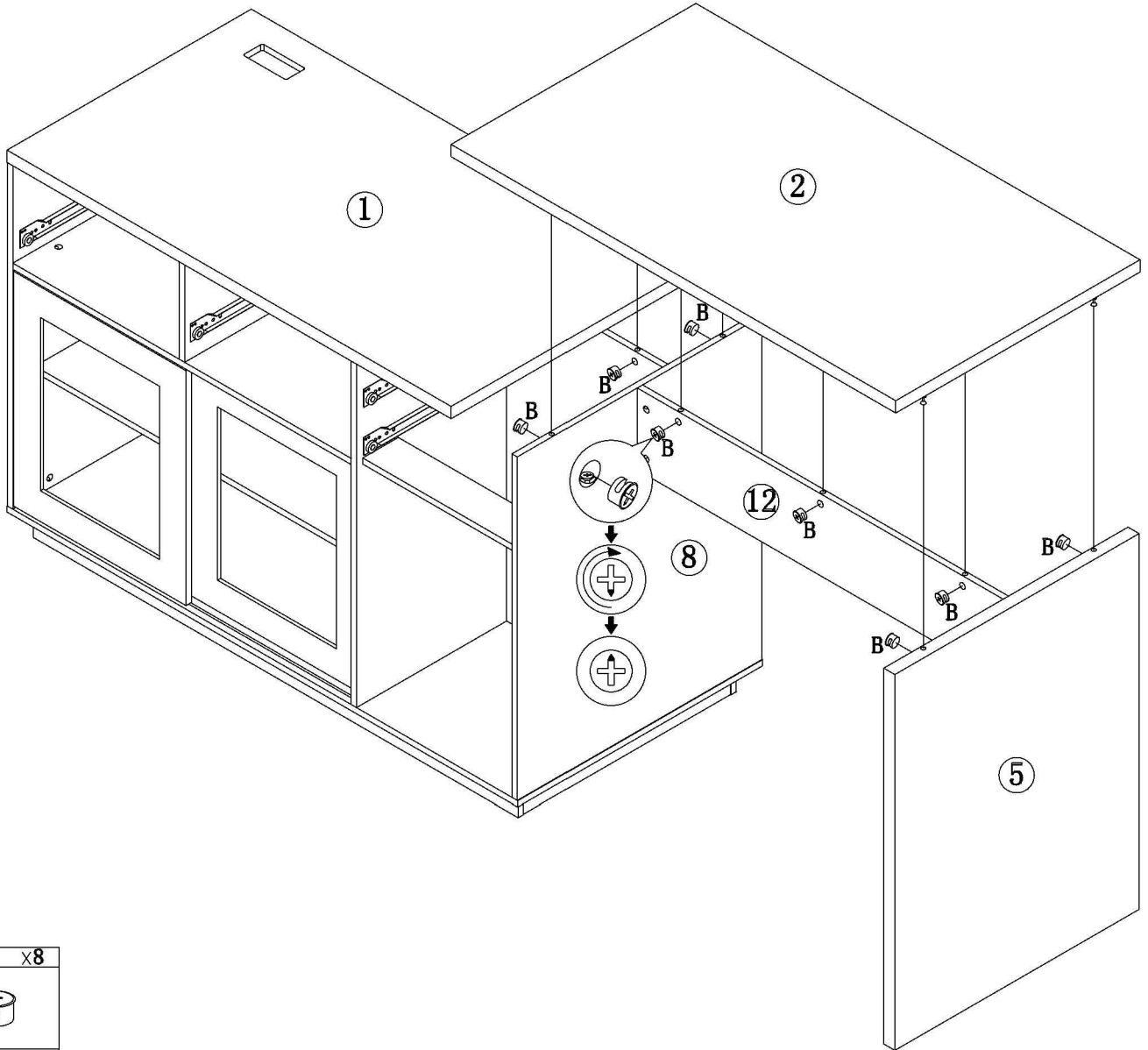



26



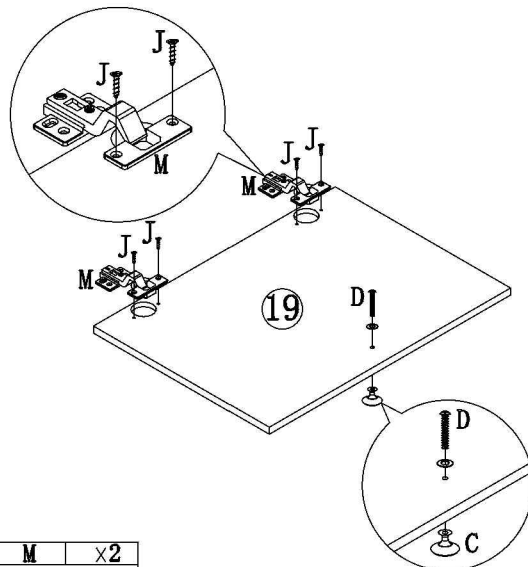
B	x4
ø12*10mm	


27





B	×8
	
ø12*10mm	


28



C	×1
	

D	×1
	
ø4*16mm	

J	×4
	
ø4*12mm	

M	×2
	

(TTAD010) ASSEMBLY INSTRUCTION P12

29 ×2

A	×8
C	×2
D	×2

φ6*28mm
φ4*16mm

30 ×2

G	×8
---	----

φ4*30mm

31 ×2

32 ×2

B	×8
---	----

φ12*10mm

33 ×2

Must be installed in correct holes.

J	×8
---	----

φ4*12mm

34 ×2

A	×8
C	×2
D	×2

φ6*28mm
φ4*16mm

35 ×2

G	×8
---	----

φ4*30mm

36 ×2

37 ×2

B	×8
---	----

φ12*10mm

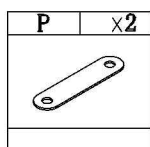
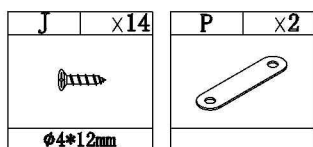
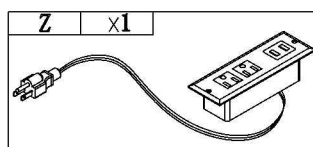
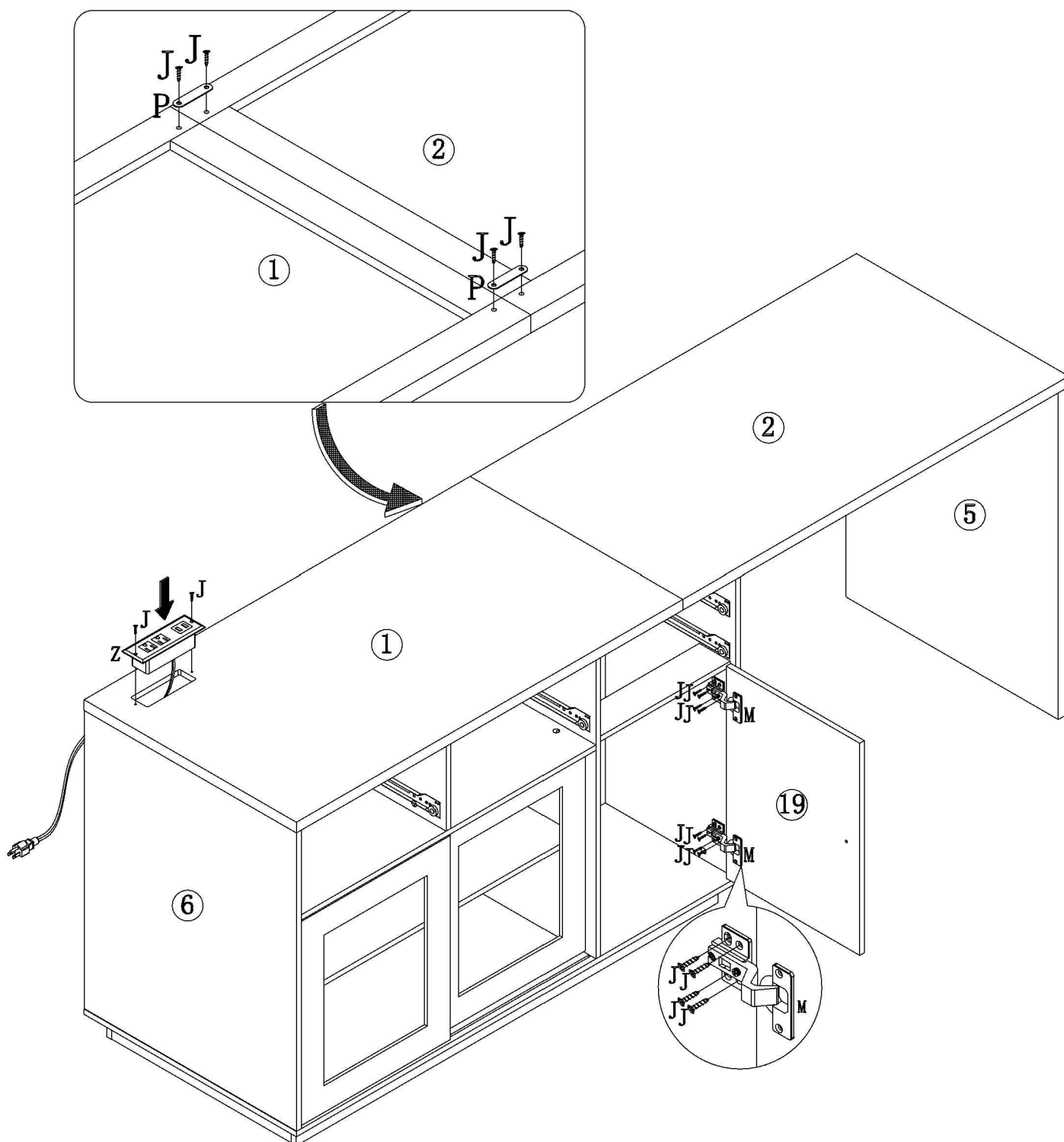
38 ×2

Must be installed in correct holes.

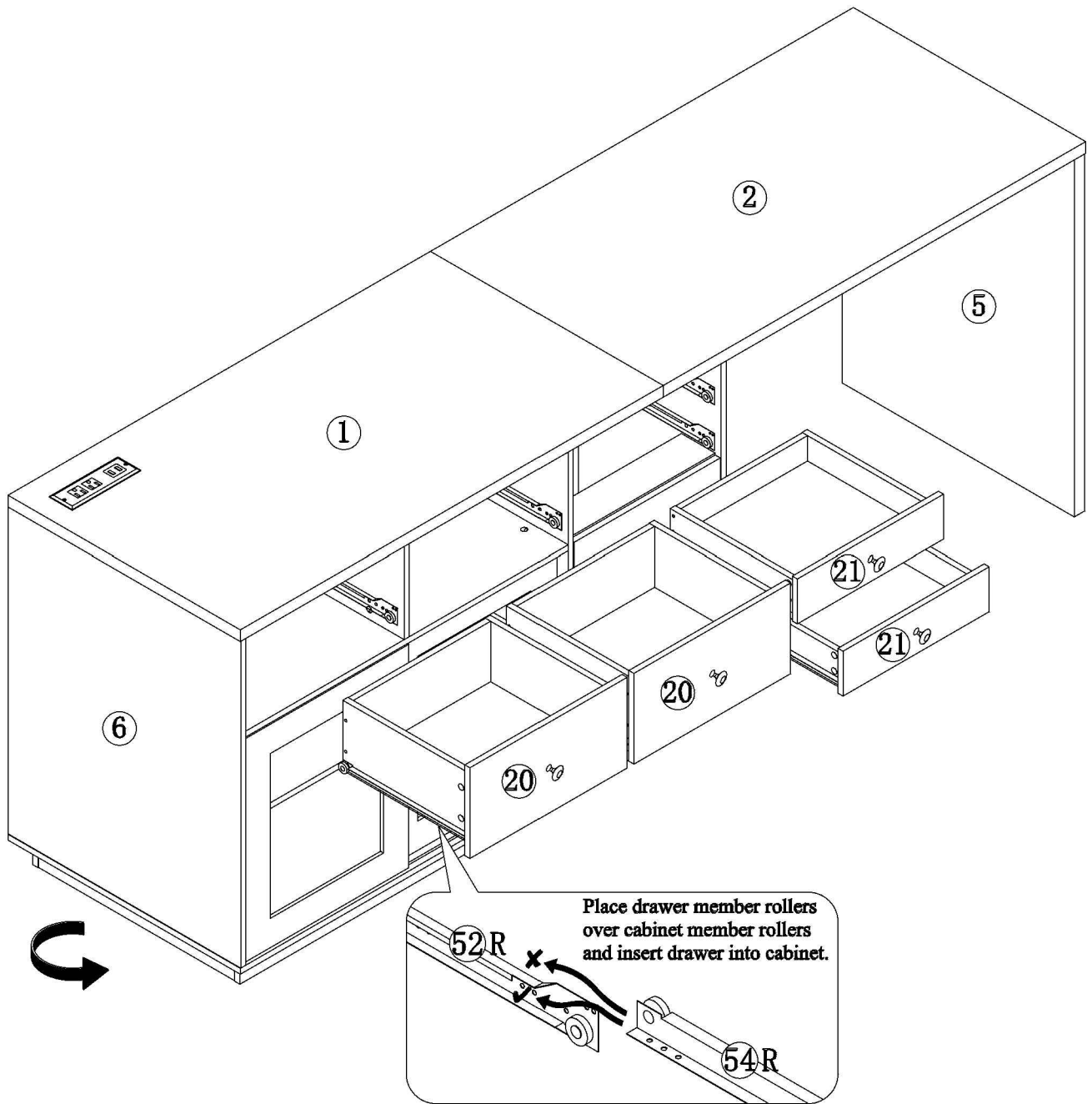
J	×8
---	----

φ4*12mm

39



40



41

