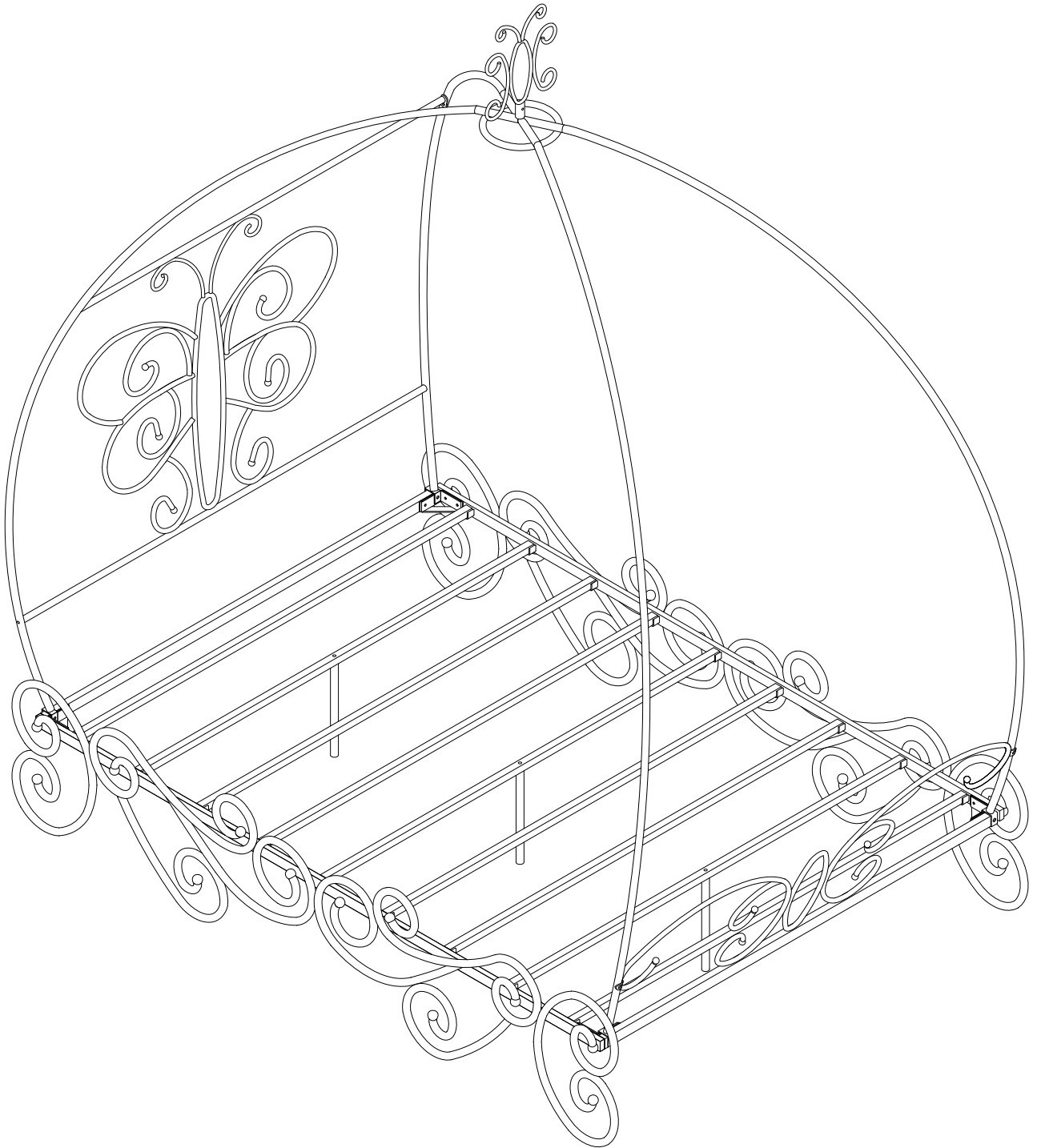
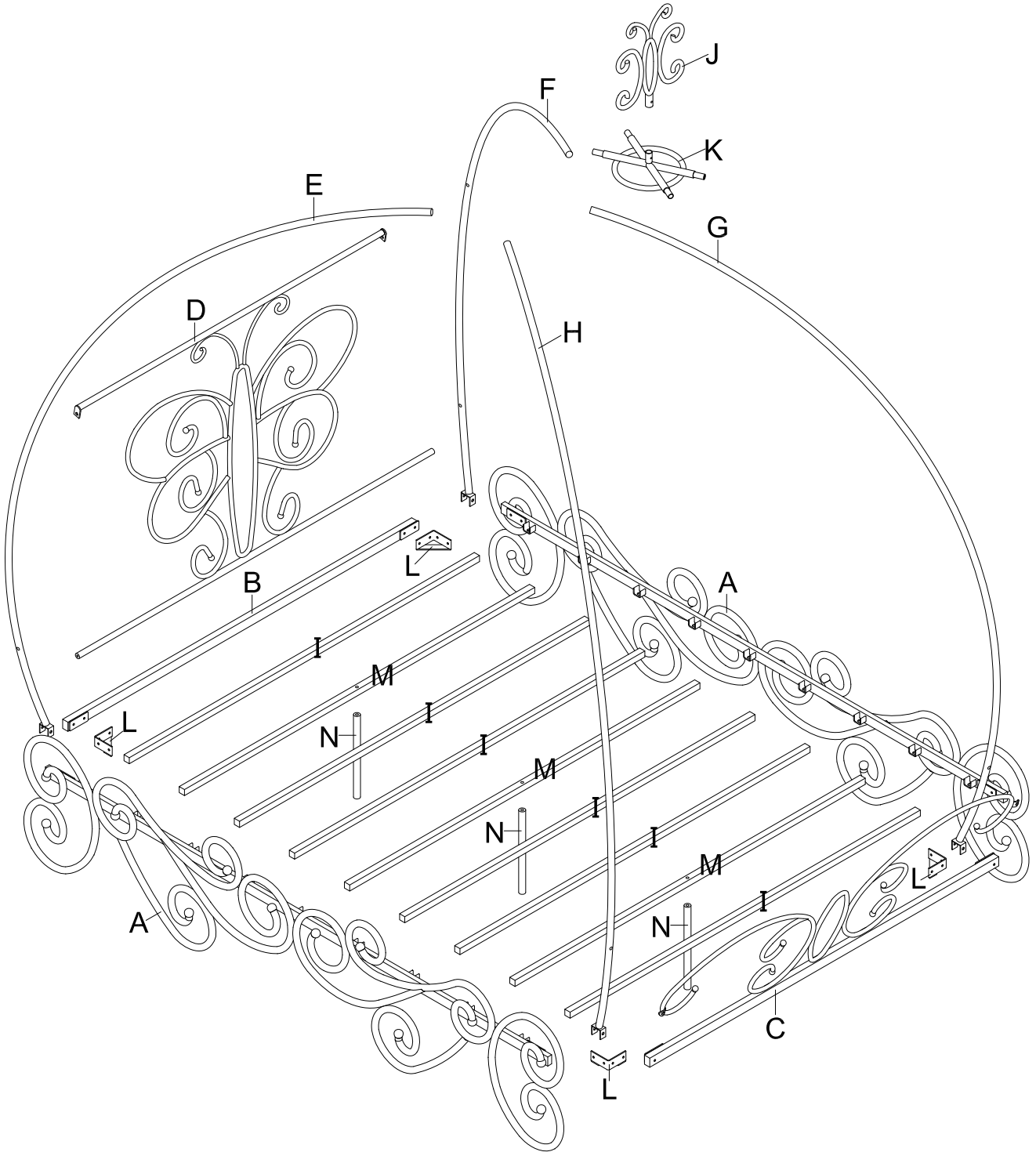


ASSEMBLY INSTRUCTIONS

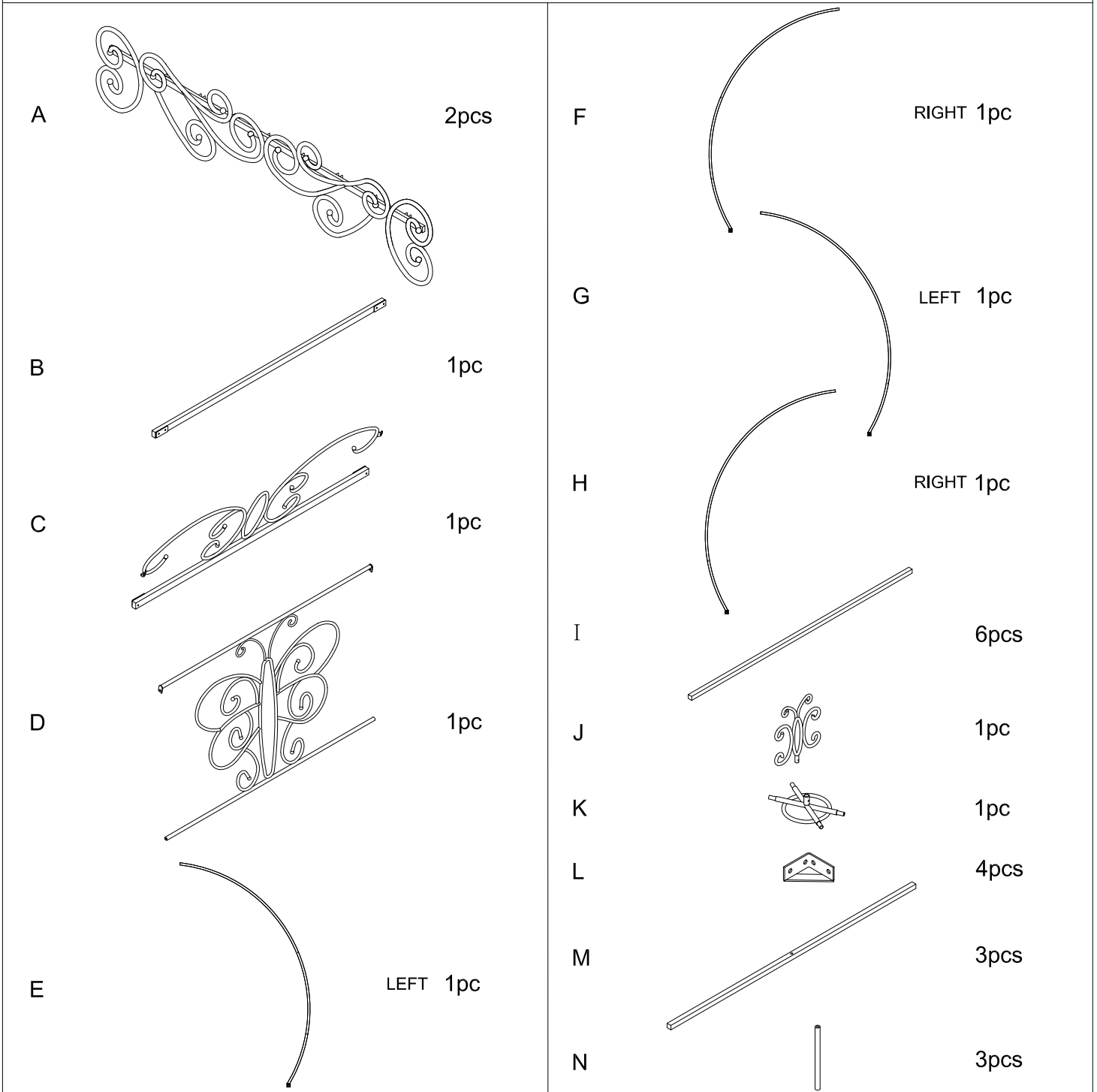


Do not tighten screws until completely assembled.

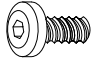
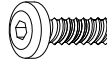
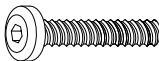



PARTS IDENTIFICATION

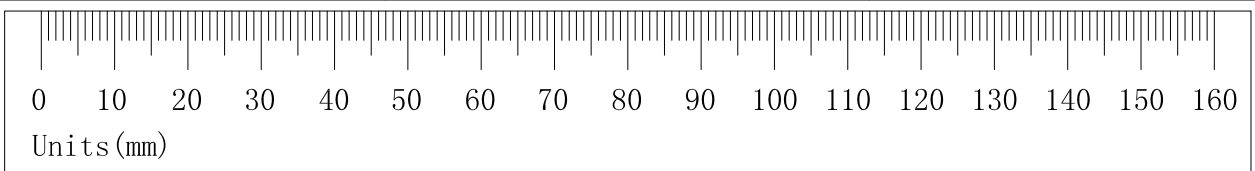


PARTS IDENTIFICATION

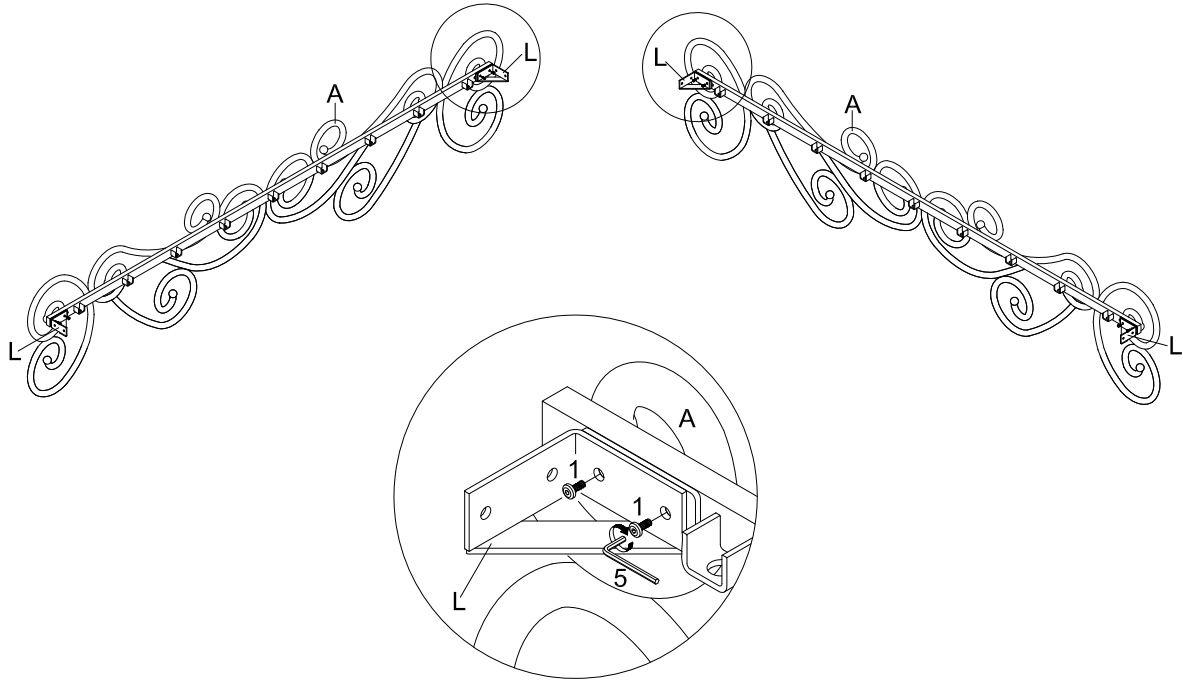


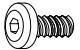
HARDWARE LIST

1  M6x15 27pcs	2  M6x25 4pcs	3  M6x30 5pcs
4  M6x18 4pcs	5  4x4 2pcs	6  Ø16xØ7x1.0 6pcs

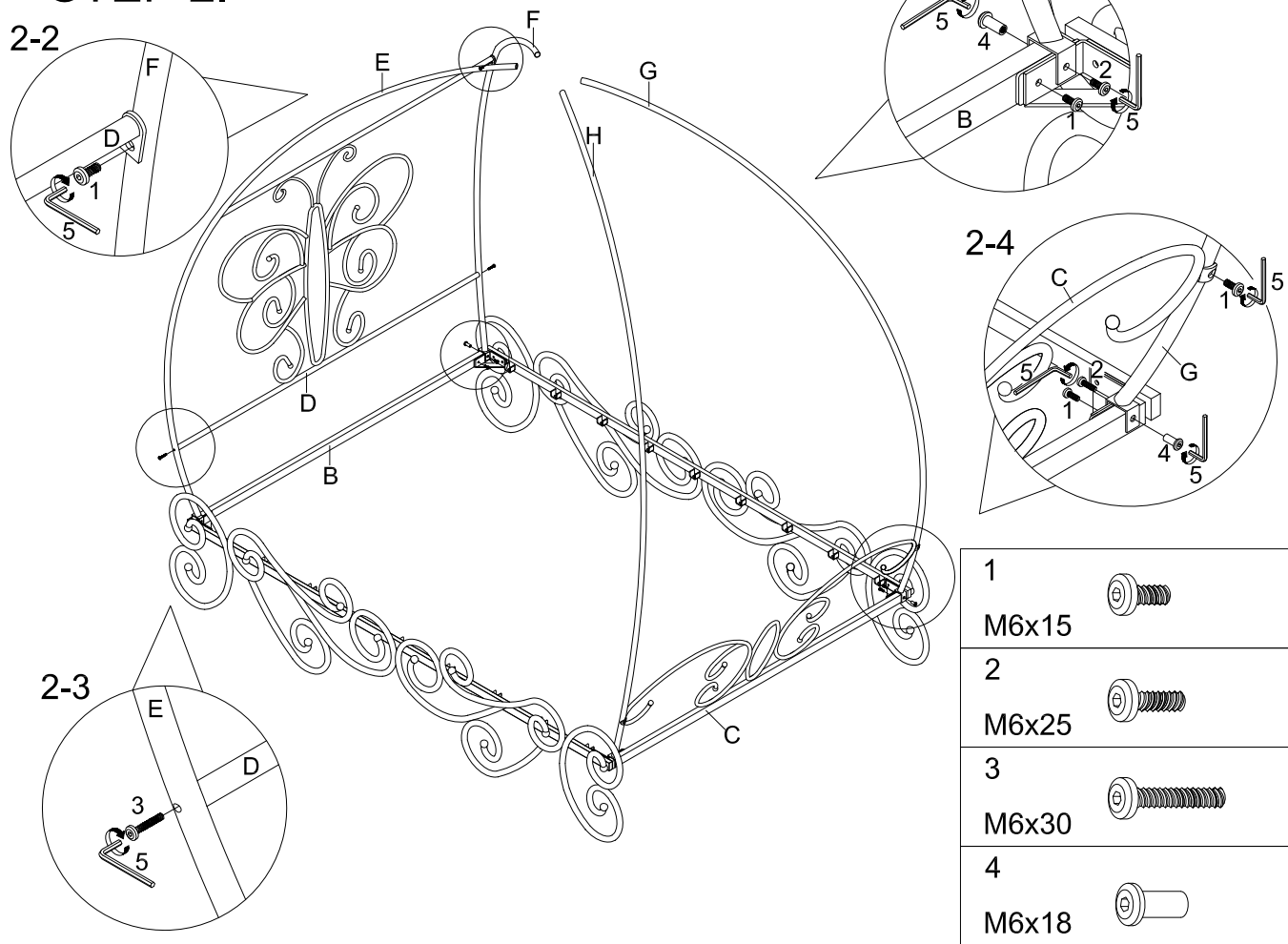



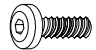
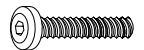

STEP 1.



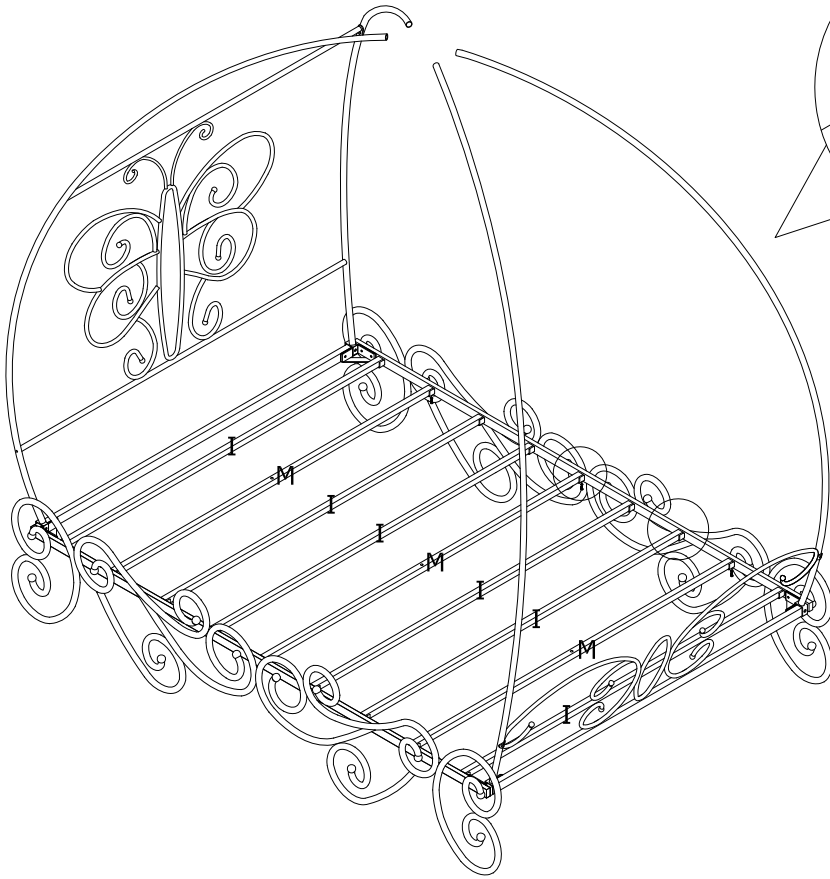
1		
M6x15		8pcs

STEP 2.

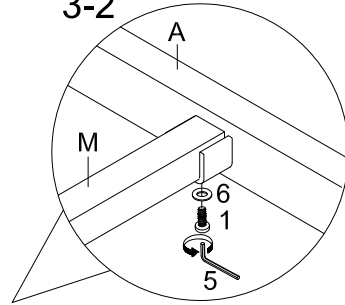


1		
M6x15		8pcs
2		
M6x25		4pcs
3		
M6x30		2pcs
4		
M6x18		4pcs

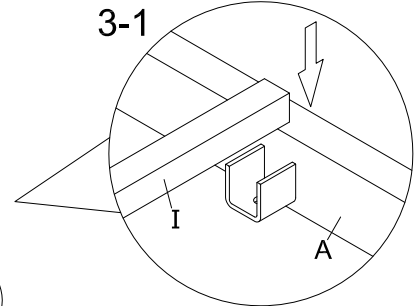
STEP 3.





3-2

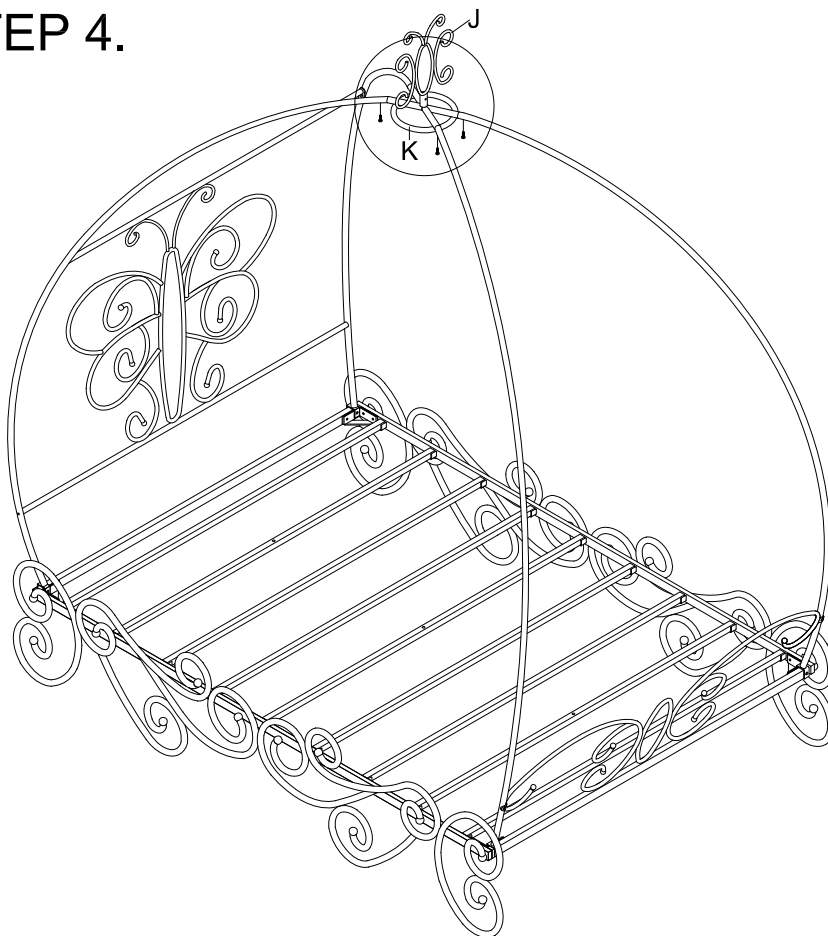


3-1

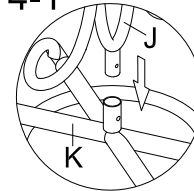


1		6pcs
M6x15		
6		6pcs
Ø16xØ7x1.0		

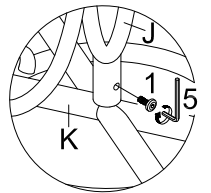
STEP 4.



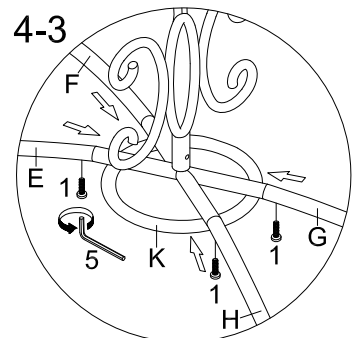
4-1

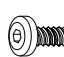


4-2

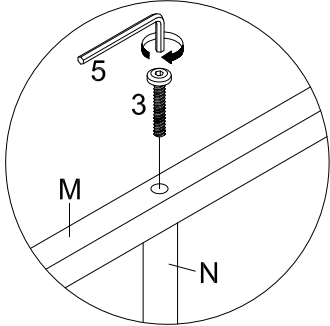
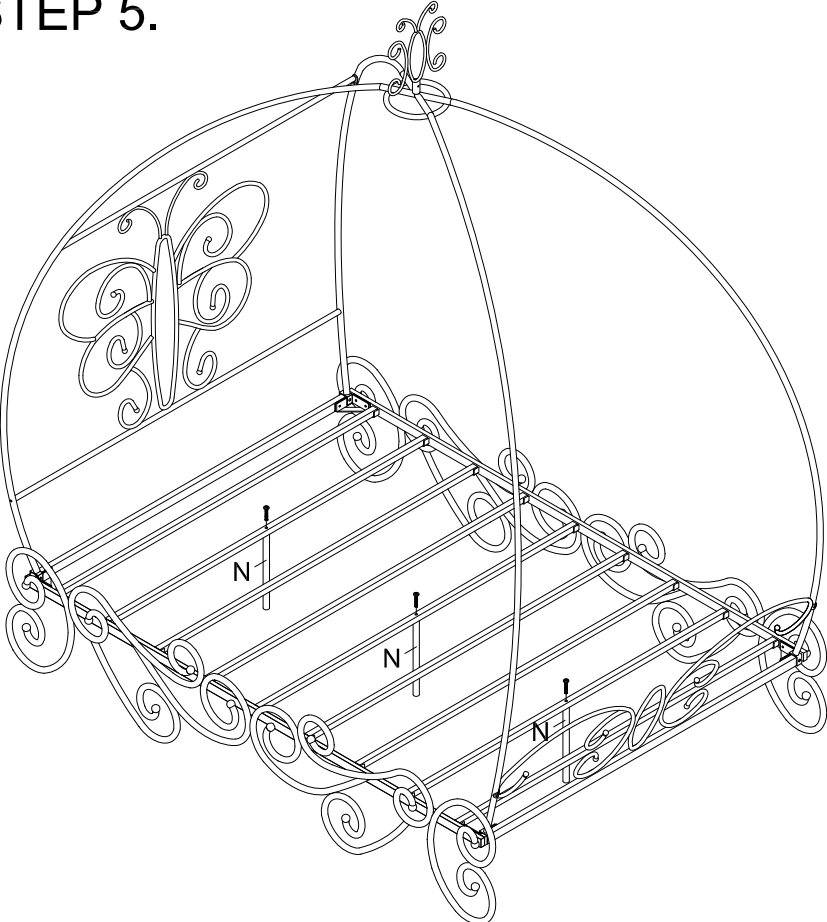



4-3



1		5pcs
M6x15		

STEP 5.



3		3pcs
M6x30		

STEP 6.

