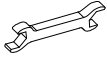


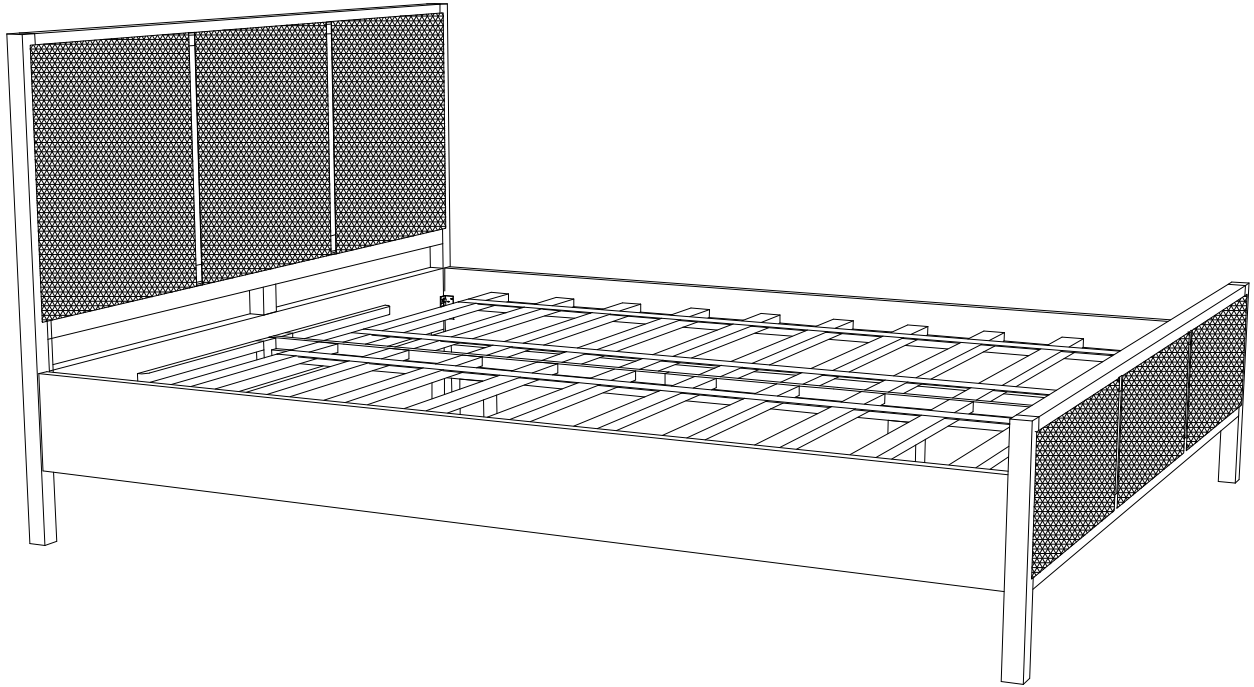


# Assembly Instruction

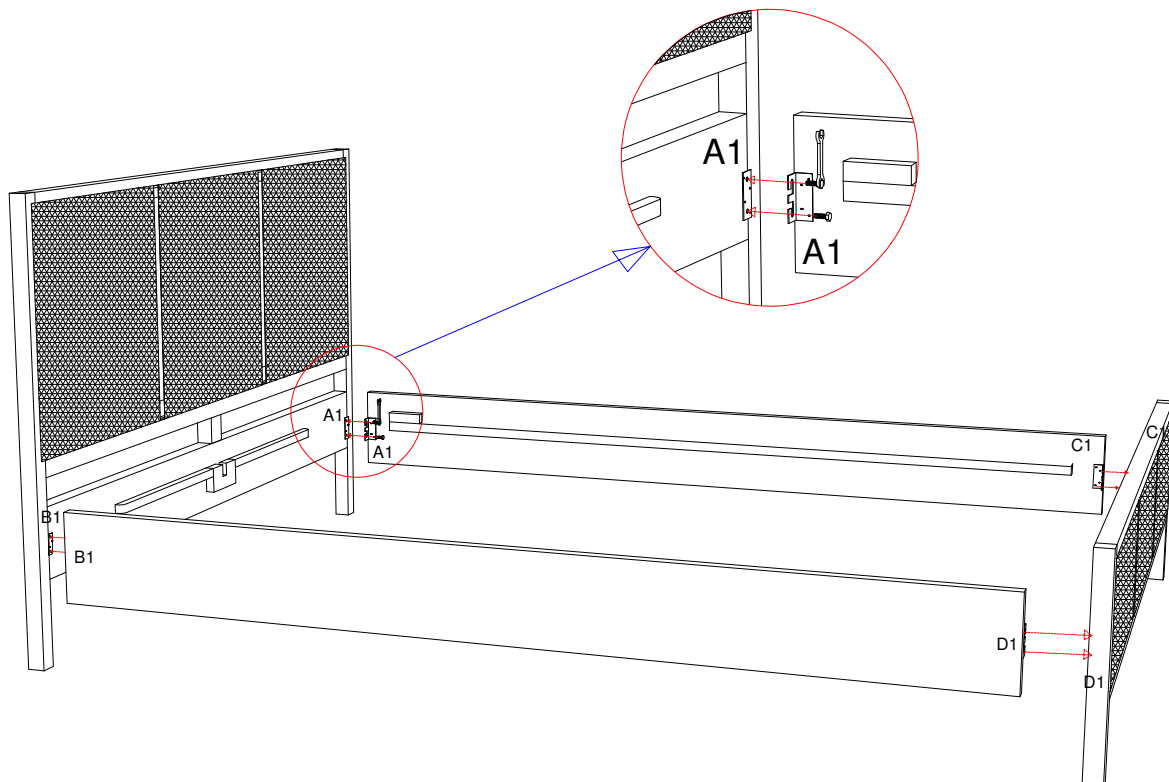
## Queen bed

Hardware and Component list:

NO.	Hardware List		Q'ty
A		Wrench	1
B		Bolt	8
C		Screw	2



1

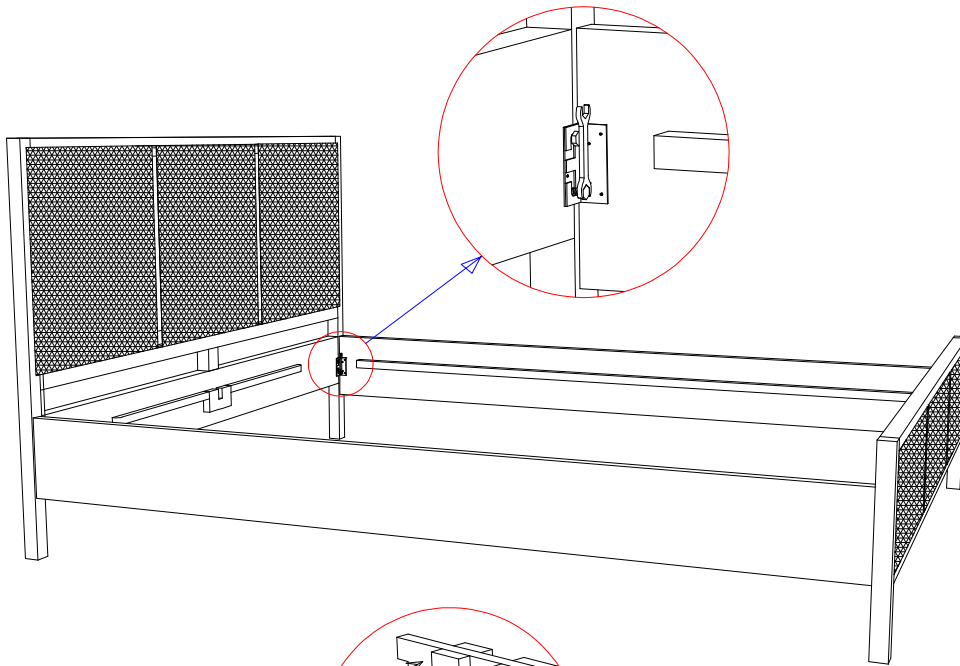


CAUTION : Please do not over tighten bolts.

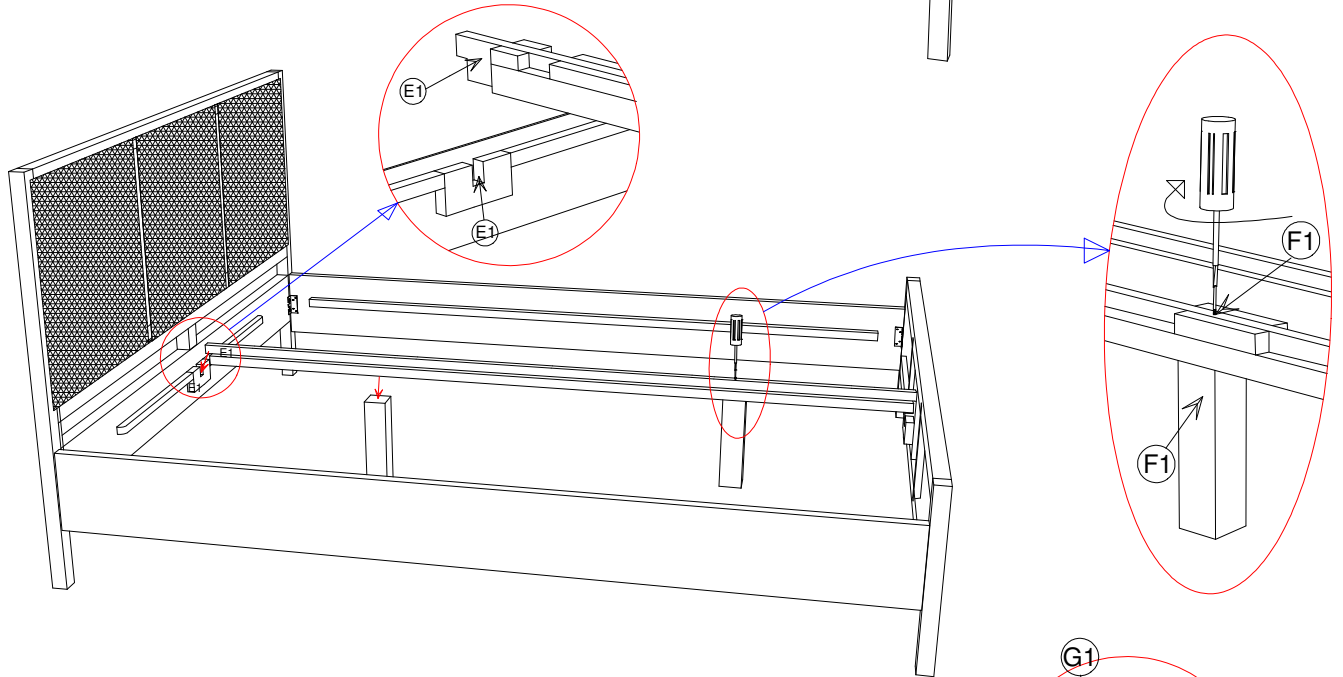
# Assembly Instruction

## Queen bed

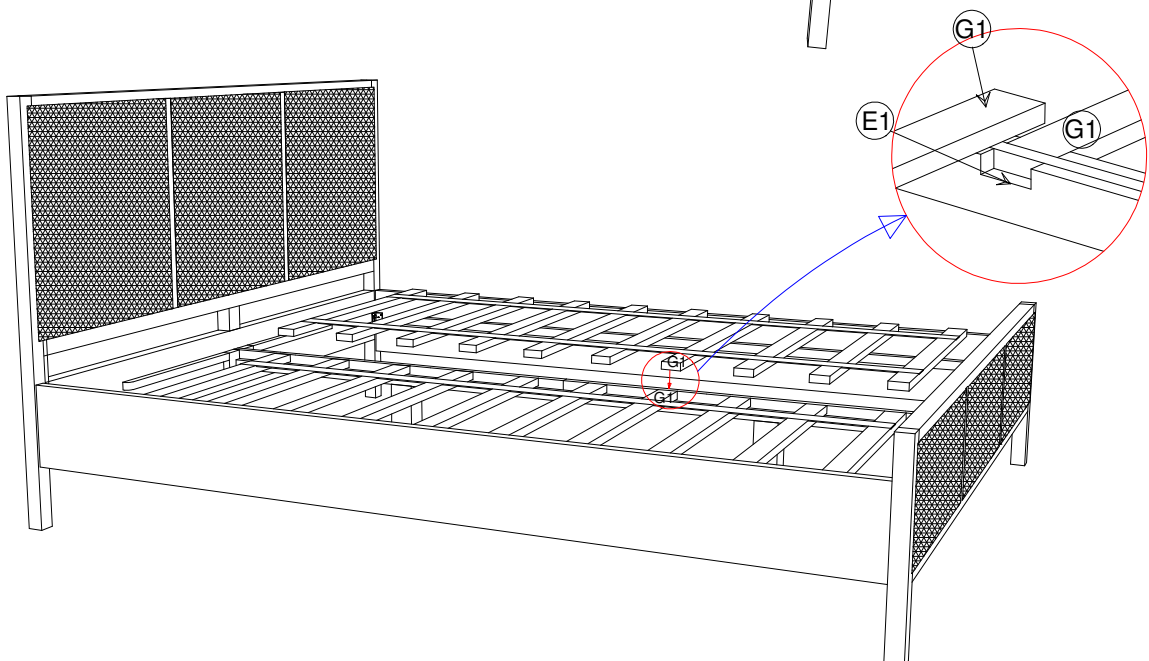
2



3



4



CAUTION : Please do not over tighten bolts.