

# TAPLONG User's Manual

SANITARY WARE





# BEFORE INSTALLATION

## Conditions of Use

### 1.Cold water \* hot water pressure:

The minimum pressure is 0.05 MPa ( flow pressure) ; the maximum pressure is 0.75 MPa (static pressure)

### 2.Do not use steam for hot water supply. Water supply temperature <85°C/ 185°F.

3.The ambient temperature should be above 0°C/ 32°F, if It Is not higher than 0°C/ 32°F, the water faucet will appear deformed and cracked.

## Prior to Installation:

### 1.Cleaning of water supply pipeline:

Supply lines should be purged to clean impurities before connecting the unit to avoid blockage.

### 2.Pay attention to each step in the installation process:

① Before installation. the debris around the mounting hole must be cleaned;

② Be careful not to scratch the electroplated surface of the valve body when opening the package;

③ Please don't twist it too tight with a pipe wrench to prevent deformation or even breakage.

## Precautions and Maintenance

1.In order to ensure the durability of the product, please be as gentle and slow as possible during operation.

2.Clean the filter regularly.

3.When the shower is used for a long time and water is found to flow out intermittently, there must be debris blocking the water outlet. At this time, you only need to gently pull the soft rubber ring at the water outlet of the shower, then the debris will be automatically rushed out.

4.If any dirt, clean with soft liquid or transparent glass detergent, then rinse it with soft water, finally gently wipe it with adry soft cloth.

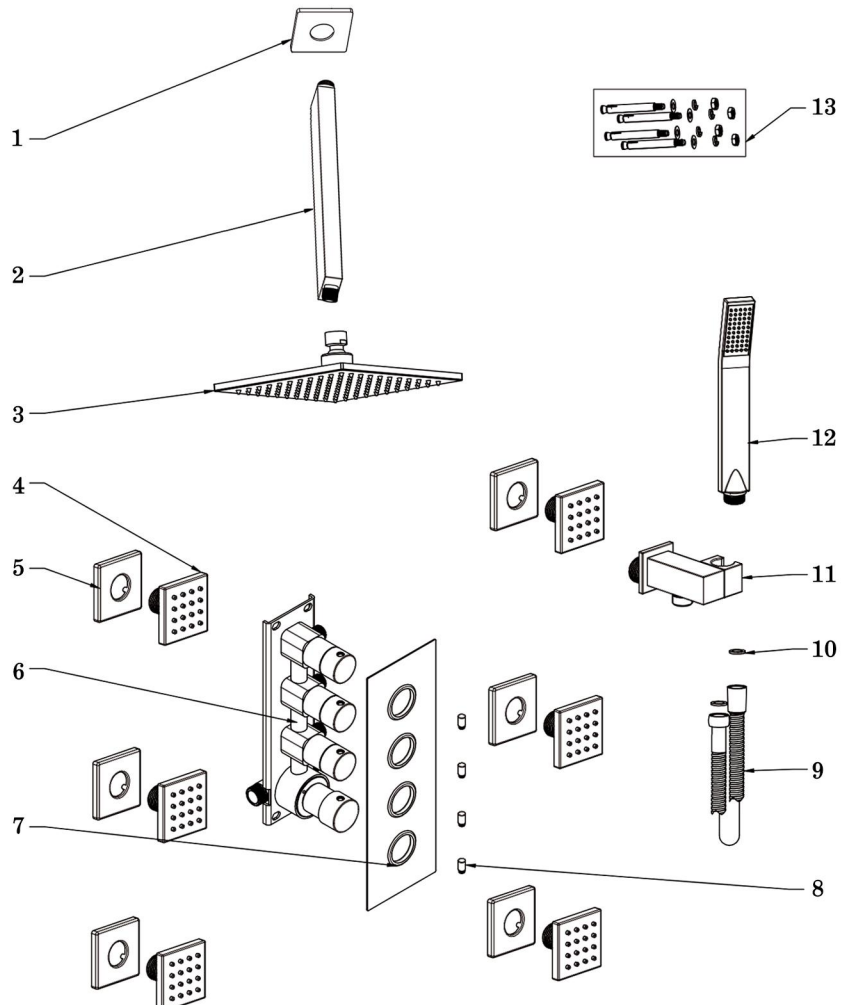
5.Do not use any scrubbing detergent, polisher, sand cloth, paper tissue or scraper.

6.Do not use acid detergent, insoluble grain-like detergent or soap.

7.If you will not use the shower for a long time, please close the main water inlet valve in your hom.

8.When the ambient temperature is under 0°C/ 32°F, please take necessary measures to keep the water equipment Warm.

| NO. | Description                           | Qty |
|-----|---------------------------------------|-----|
| 1   | Cover Plate                           | 1   |
| 2   | Rain Shower Pipe                      | 1   |
| 3   | Top Rain Head                         | 1   |
| 4   | Body Spray                            | 6   |
| 5   | Cover Plate                           | 6   |
| 6   | Valve Body                            | 1   |
| 7   | Decorative Plate                      | 1   |
| 8   | Handwheel stem                        | 4   |
| 9   | Shower Hose                           | 1   |
| 10  | Washers                               | 2   |
| 11  | Handheld Bracket                      | 1   |
| 12  | Hand Spray                            | 1   |
| 13  | Kits bag(4 screws, 4 nuts, 4 Washers) | 1   |

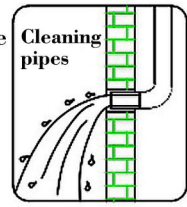


# INSTALLATION STEPS

This product has been inspected and debugged by the factory to the best condition. Please do not disassemble and assemble it yourself.

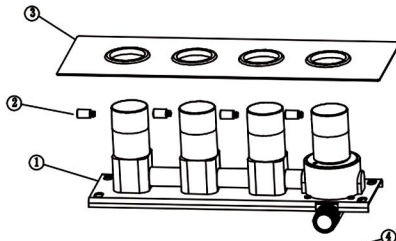


Before installing the faucet, please be sure to remove sundries and sludge from the water pipe to prevent sundries from blocking the faucet.

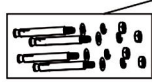


## 1. Installation Steps of Valve Body

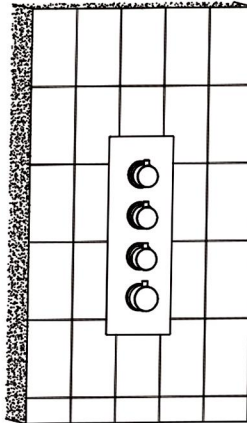
Accessory list



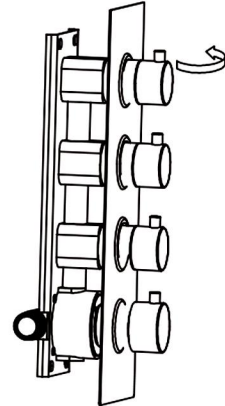
| NO. | Description    | Qty |
|-----|----------------|-----|
| 1   | Valve Body     | 1   |
| 2   | Handwheel stem | 4   |
| 3   | Face Plate     | 1   |
| 4   | Expand Screws  | 4   |



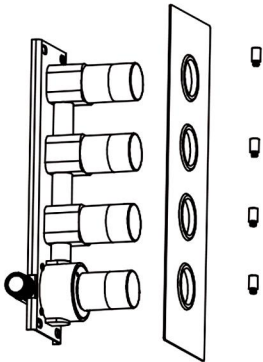
Assembly sketch



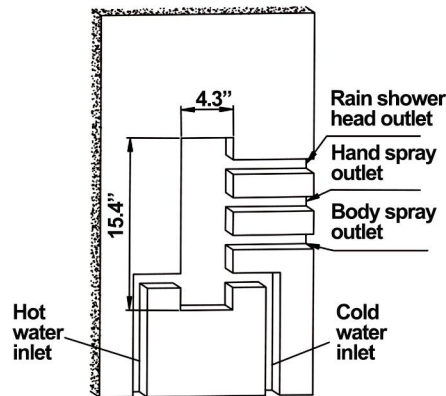
1) Counter clockwise to unscrew the decorative screws and pull them out, then use the Allen screw to remove the hexagonsocket screws.



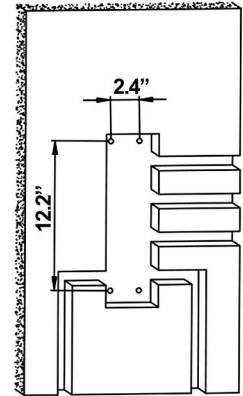
2). Then remove the face plate and handwheel stem, take apart the valve into 3 parts as shown in the picture.



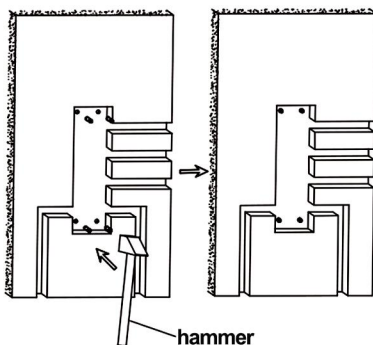
3). With reference to the basic dimensions of the embedded body, excavate the embedded ports of the main body, hot & cold water inlet pipe and the outlet pipe.



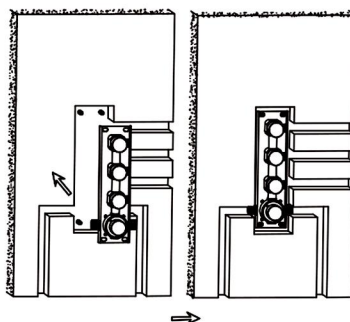
4). Drill four 6mm positioning holes according to the product size.



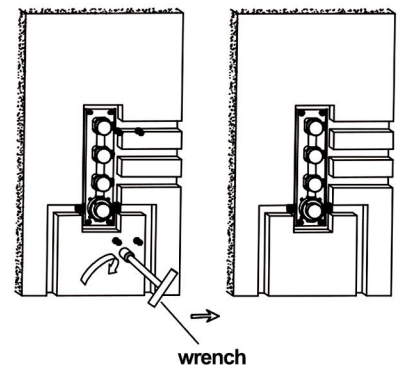
5). Hammer the expanded screw in the 4 drilled holes.



6). Position the valve body on the 4 screws.

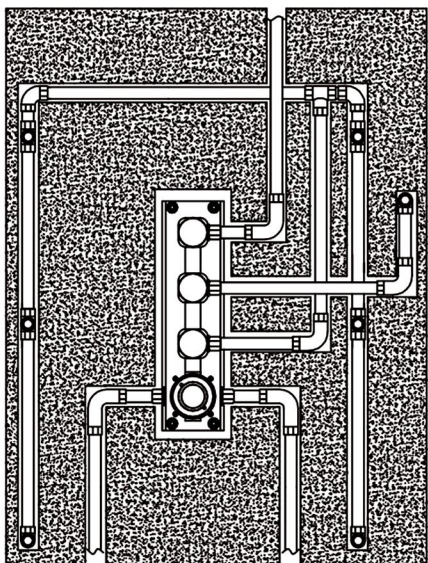


7). Use a Phillips screwdriver to tighten the 4 self-tapping screws, fix the valve body on the wall.

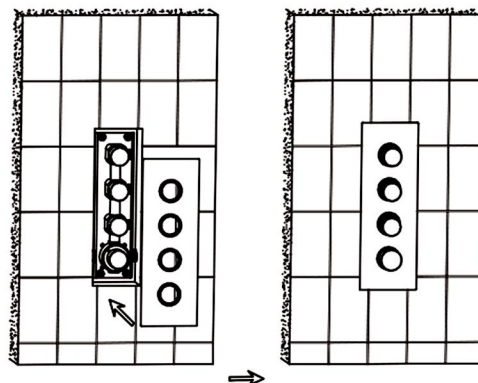


# INSTALLATION STEPS

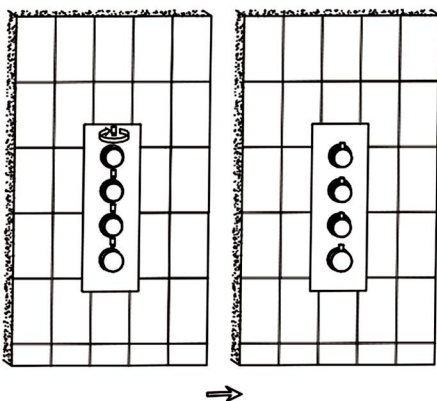
8). Connect all the pipes to check leakage, confirm no leak occurs when turn on water.



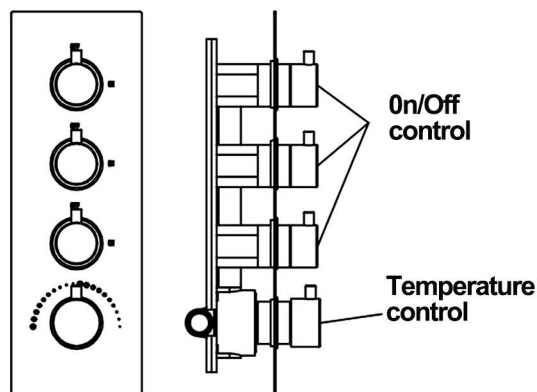
9). Fix the decorative plate and knobs on the valve body. Screw the hand-wheel on the handles and tighten with a Allen wrench.



10). Insert 3 decorative screw into the knobs.

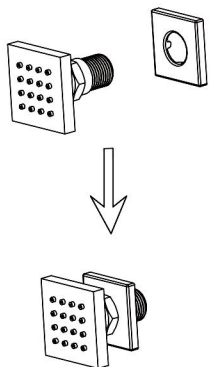


11). Function indication as shown.

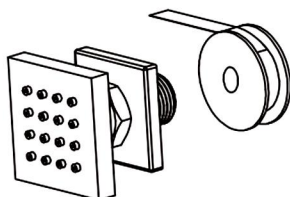


## 2. Installation Steps of Body Jets.

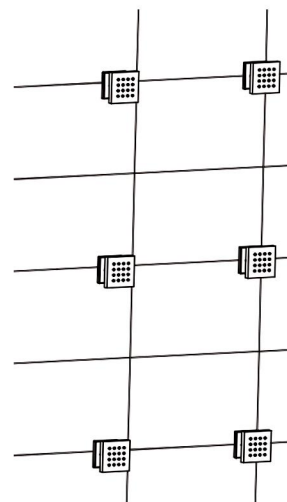
1). Attach the cover plate to body jets.



2). Apply Teflon tape to threaded tail of the body jets.



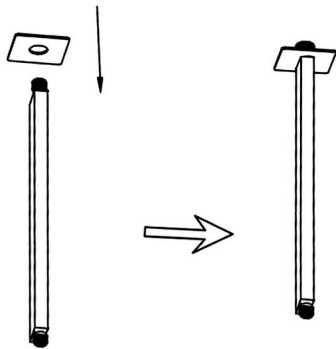
3). Use a wrench to screw the jet heads clockwise into the body spray outlets.



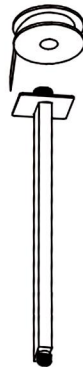
# INSTALLATION STEPS

## 3. Installation Steps of Rain shower

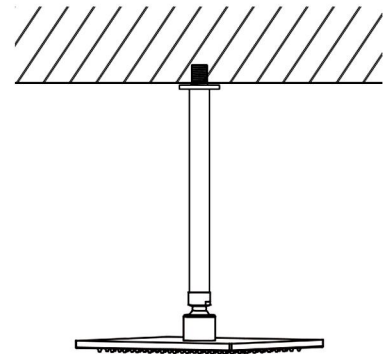
1). Attach the cover plate to the longer tail of the shower arm.



2). shower arm longer thread with Teflon tape.

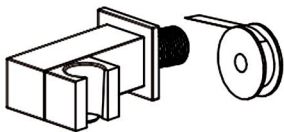


3. Screw the shower head clockwise onto the lower end of the shower pipe.

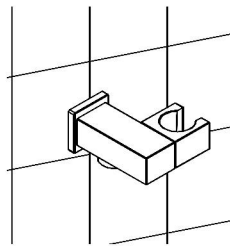


## 4. Installation Steps of Hand Shower

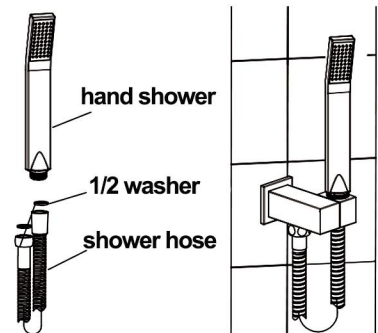
1). Wrap supply elbow thread with Teflon tape and attach cover plate to it.



2). Screw the shower holder clockwise onto the hand-shower outlet.



3). Place rubber washers in both ends of the hose. Connect the shower hose to the supply elbow and shower head. Note the ends of shower hose to be connected correctly.



## CLEANING CARE

In order to keep the appearance of faucet clean, bright and good performance, please take care of the faucet as follows;

1. Rinse with water only and dry with soft cotton cloth;
2. Use mild liquid and colorless glass cleaner to remove surface dirt and scale film, or use polish without abrasive effect;
3. Do not use abrasive detergent, polish, emery cloth, paper towel or scraper, etc.;
4. Do not use acid cleaner, or cleaner and soap with insoluble gran etc.;
5. In the process of use, mud may accumulate in the bubbler and make the water flow show, The bubbler can be unscrewed, rinsed with water, and then installed back in place.



Please feel free to contact us if you have any questions. We will help to solve the issue together with you. OUR EMAIL: [services@rbrohant.com](mailto:services@rbrohant.com)



**TAPLONG**  
SANITARY WARE