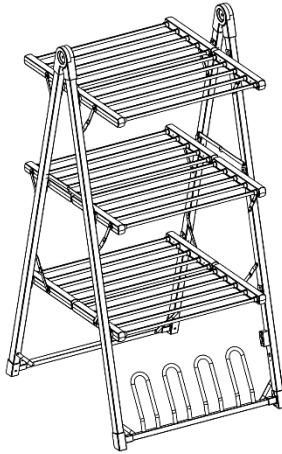


abode

Electric Clothes Airer Instruction Manual



Model number(s):
AECD2002

For Customer Services & Spare Parts please call **0345 209 7461**

IMPORTANT:
RETAIN FOR FUTURE REFERENCE

Contents

Safety Instructions	3-4
Product Overview	5
Usage	6-7
Cleaning & Maintenance	8
Trouble shooting	8
Guarantee	9
Technical specification	10
Connections to the Mains	11

abode

Safety Instructions

Important note:

Please read this booklet before installing and switching on this appliance. The manufacturer assumes no responsibility for incorrect installation and usage as described in this booklet.

This appliance can be used by children aged from 8 years and above and persons with reduced physical, sensory or mental capabilities or lack of experience and knowledge if they have been given supervision or instruction concerning use of the appliance in a safe way and understand the hazards involved. Children shall not play with the appliance.

- Children should be supervised to ensure that they do not play with the appliance.
- If the supply lead is damaged it must be replaced by a qualified person using the correct lead, available from **0345 209 7461**.
- Packaging material is dangerous to children. Never allow children to play with packaging material.
- Check the appliance for damage after unpacking it. Do not connect the appliance if it has been damaged in transport.
- The appliance can only be used safely if it is correctly installed according to the safety instructions. The installer is responsible for ensuring that the appliance works correctly after installation.
- A defective appliance may cause electric shock. Never switch on a defective appliance. Unplug the appliance from the mains or switch off the circuit breaker in the fuse box. Contact the customer services.
- The appliance is not intended to be operated by means of an external timer or separate remote control system.
- This appliance is intended for domestic use and the household environment only. The appliance is not intended for use outside.

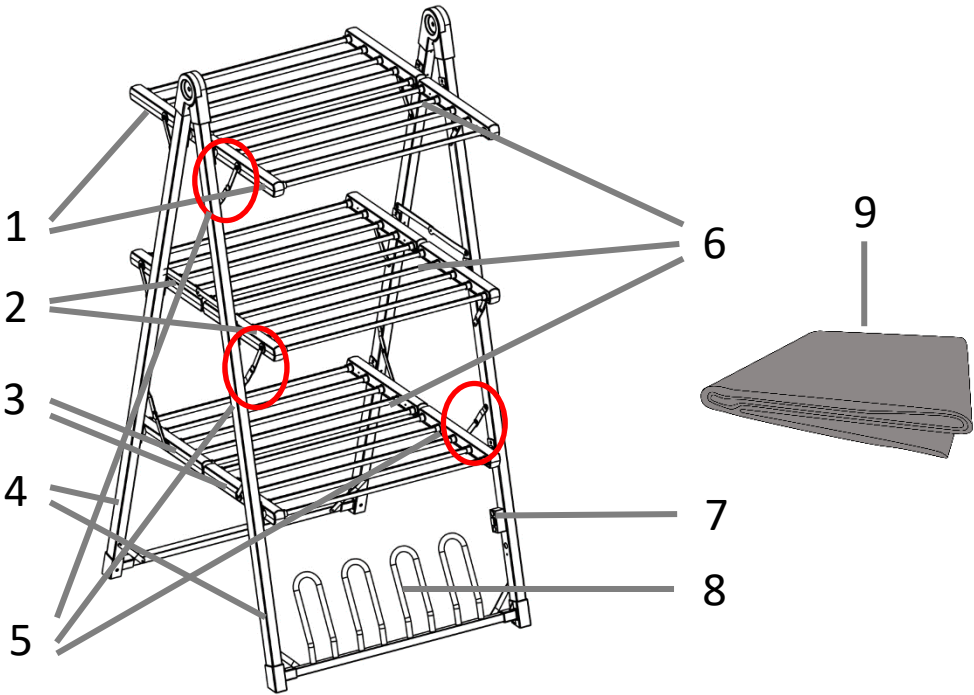
abode

Safety Instructions

- Do not tamper with the appliance. If necessary, call our customer helpline.
- Do not switch on the appliance if it is damaged in any way. Contact our customer helpline.
- Do not leave the appliance unattended during operation. The manufacturer is not liable for damage which is caused by improper use or incorrect operation.
- The accessible parts become very hot when in operation. Never touch hot parts. Keep children at a safe distance.
- In the event of a malfunction, turn off the appliance's electricity supply. For repairs, call customer services.
- Ensure that your mains voltage corresponds to that stated on the appliance.
- The appliance should be connected to an earthed main socket.
- Before cleaning, always unplug the appliance from the power supply.
- Repairs can only be undertaken by a competent qualified electrician.
- This appliance is intended only for drying textiles washed in water.

abode

Product Overview



- | | | | |
|----|--------------|----|-------------------|
| 1. | Upper wings | 6. | Drying poles |
| 2. | Middle wings | 7. | Power switch |
| 3. | Lower wings | 8. | Shoe drying poles |
| 4. | Legs | 9. | Cover |
| 5. | Locking arms | | |

Unit & Spare Parts

If any of the above parts are missing please contact the customer service team on 0345 209 7461.

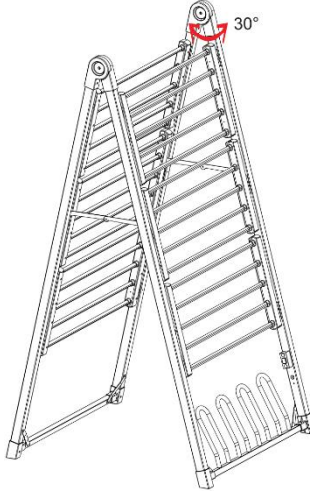
abode

Usage

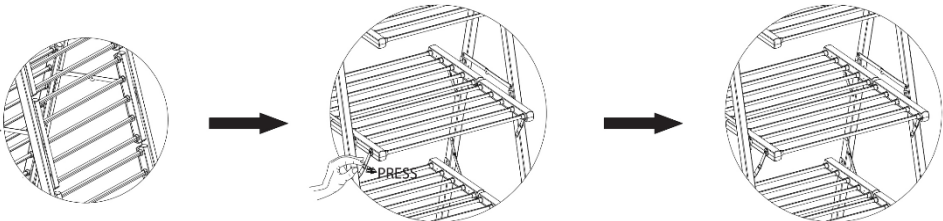
Note: When opening/unfolding and closing/folding the clothes ailer then please be careful to not trap your fingers or hands.

To use the clothes ailer please follow the below steps:

1. Unfold the clothes ailer so it is slightly open (approximately 30°), ensuring the clothes ailer is fully upright and placed on a stable floor.



2. Unfold each drying wing and ensure they are fully open/horizontal and the arms are locked in position. Be careful to not trap your fingers or hands.



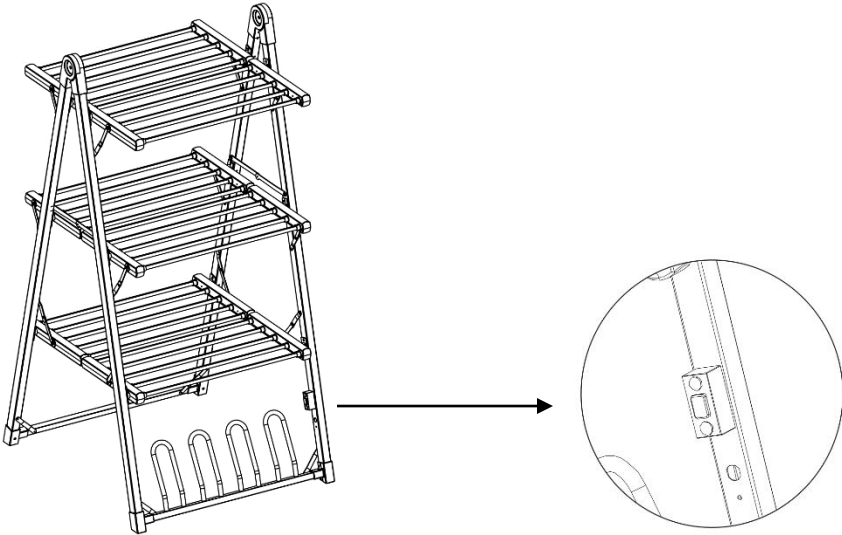
abode

Usage

Note: When opening/unfolding and closing/folding the clothes ainer then please be careful to not trap your fingers or hands.

3. Plug the appliance into an earthed mains socket. Locate the power switch which is on the side of the unit and press the switch to the ON position, the light will illuminate. After a short period of time (approximately 5-10 mins) the electric clothes rack will reach its operation temperature. Put the laundry on the ainer as required and if required place the cover over the ainer and the clothes (by using the cover the laundry should dry faster).

Max load (kg)	Total – 15kg Single layer – 5kg
---------------	------------------------------------



4. Switch off after use. Allow to cool down before closing/unfolding. Be careful to not trap your fingers or hands.

abode

Cleaning and Maintenance:

How to clean:

- Clean the surface of each pole with a warm damp cloth and allow to dry.

Trouble Shooting:

Problem	Solution
The appliance doesn't work	Check that the appliance is switched on.
	Check that there has not been a power cut.
	Check that the plug is not faulty.
	Check that the fuse has not blown.
	Check that the voltage is correct for the appliance.

Guarantee

This product is guaranteed for 12 months from the date of the original purchase. If any defect arises due to faulty materials or workmanship you must contact customer services with the original proof of purchase so a replacement or refund can be arranged.

Refund or replacement is at the discretion of Customer Services.

The following conditions apply:

- Customer Services will require a valid proof of purchase at the point of replacement or refund.
- The product must be installed and used in accordance with the instructions contained in this instruction guide and any other instructions for use which has been supplied.
- It must be used for domestic purposes only and for its intended use.
- This guarantee does not cover wear and tear, damage, misuse or consumable parts.

This does not affect your statutory rights.

For Customer Services & Spare Parts please call **0345 209 7461**

abode

Technical Specification

Model number	AECDR2002
Rated Voltage	220V – 240V ~ 50Hz
Wattage	300W
IP rating	IP21
Temperature range	45 - 55°C
Max load (kg)	Total – 15kg Single layer – 5kg
Unfolded Dimensions (H x W x D) (CMS)	135cm x 66cm x 72.8cm
Folded Dimensions (H x W x D) (CMS)	140cm x 66cm x 7.2cm

abode

Connections to the mains

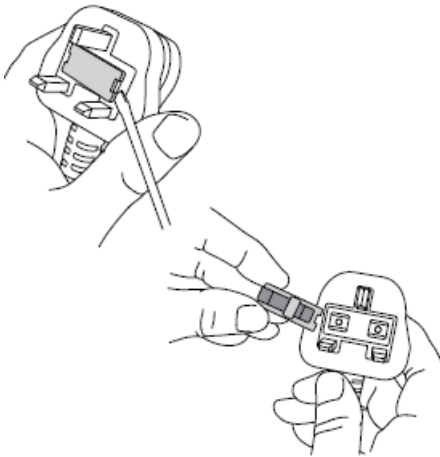
This appliance is designed to operate from a mains supply of 220-240V~50Hz.

Check that the voltage marked on the product corresponds with your supply voltage.

How to change the fuse

1. Slot the end of a screwdriver into the recess in the fuse holder of the plug.
2. Pull the fuse holder upwards until free of the plug and slide the fuse out.
3. Replace the fuse and replace fuse holder, pushing down until locked into place.

Important: Only ever use a 5 amp fuse.



abode

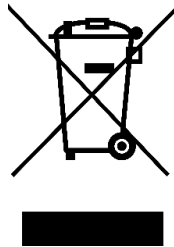
abode

Imported by: Product Care Trading Limited, Wigan, WN2 4AY/ PCT (NI) Ltd,
Belfast, BT5 5AD.

For Customer Services & Spare Parts please call **0345 209 7461**

**UK
CA**

C E



The 'wheelee bin' symbol is known as the 'Crossed-out wheelee bin Symbol'.

When this symbol is marked on a product/batteries, it means that the product/batteries should not be disposed of with your general household waste. Only discard electrical/electronic/battery items in separate collection schemes, which cater for the recovery and recycling of materials contained within. Your co-operation is vital to ensure the success of these schemes and for the protection of the environment. For your nearest disposal facility, visit www.recycle-more.co.uk or ask in store for details.

SEDEX – Connecting businesses and their global suppliers to share ethical data and enabling improvement in ethical performance. Visit www.sedex.org.uk for further information.

We reserve the right, due to possible changes to design, to alter the instruction manual without prior notice.

Revision 1.3