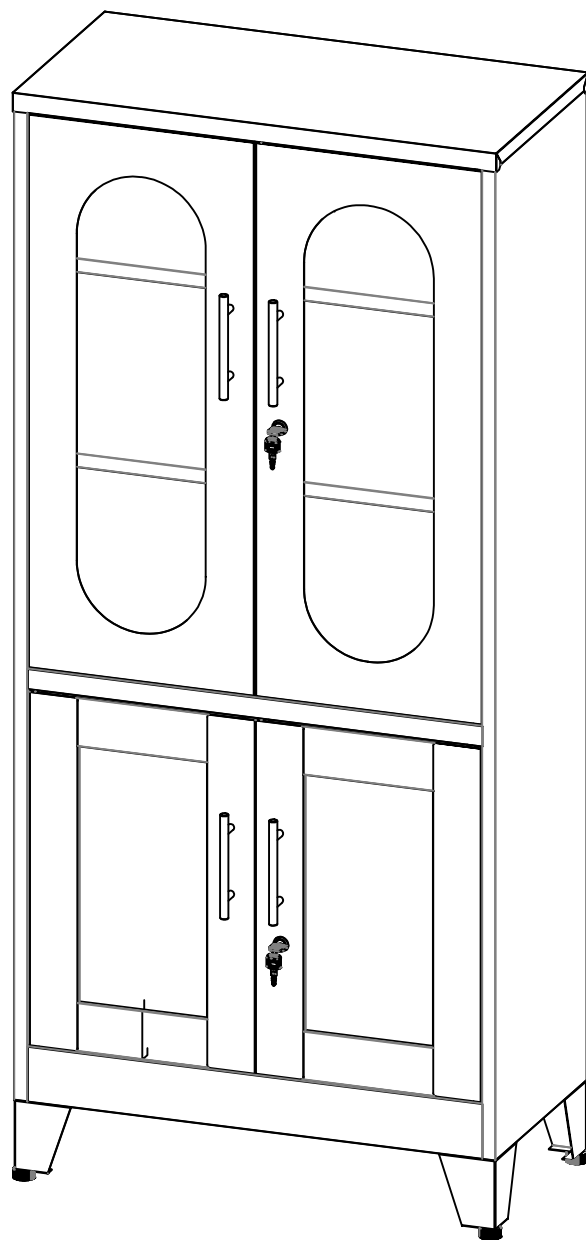


L27.5XW13.8XH61 INCH



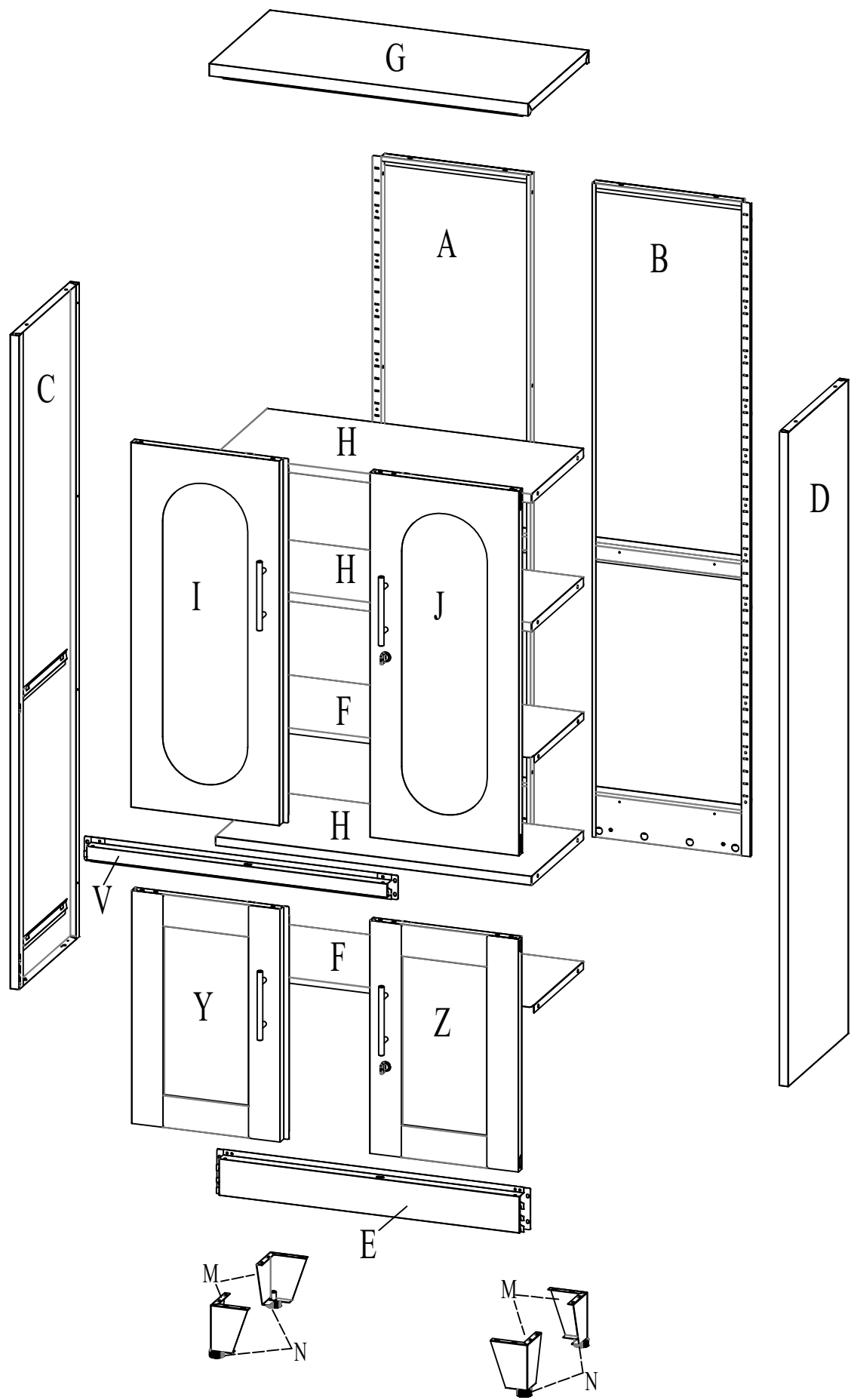
Important!



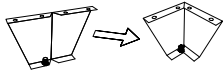


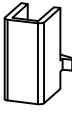
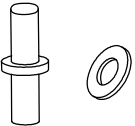
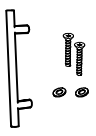
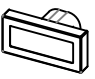
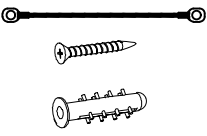

Thank you for your purchase. Please open it carefully.

If you encounter any problems, please contact us.

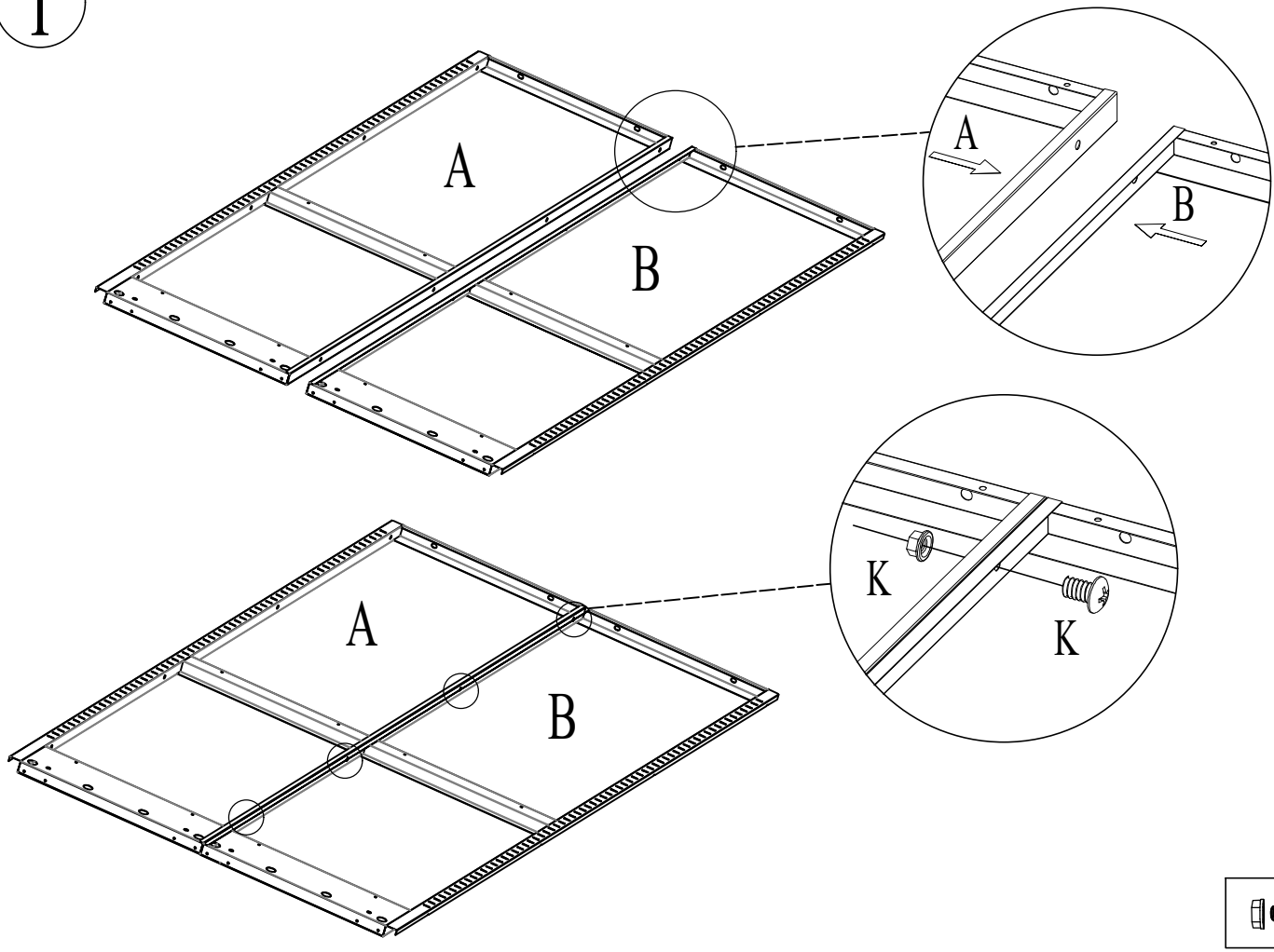
Service tenet - to enable customers to enjoy high-quality service.

F L Y

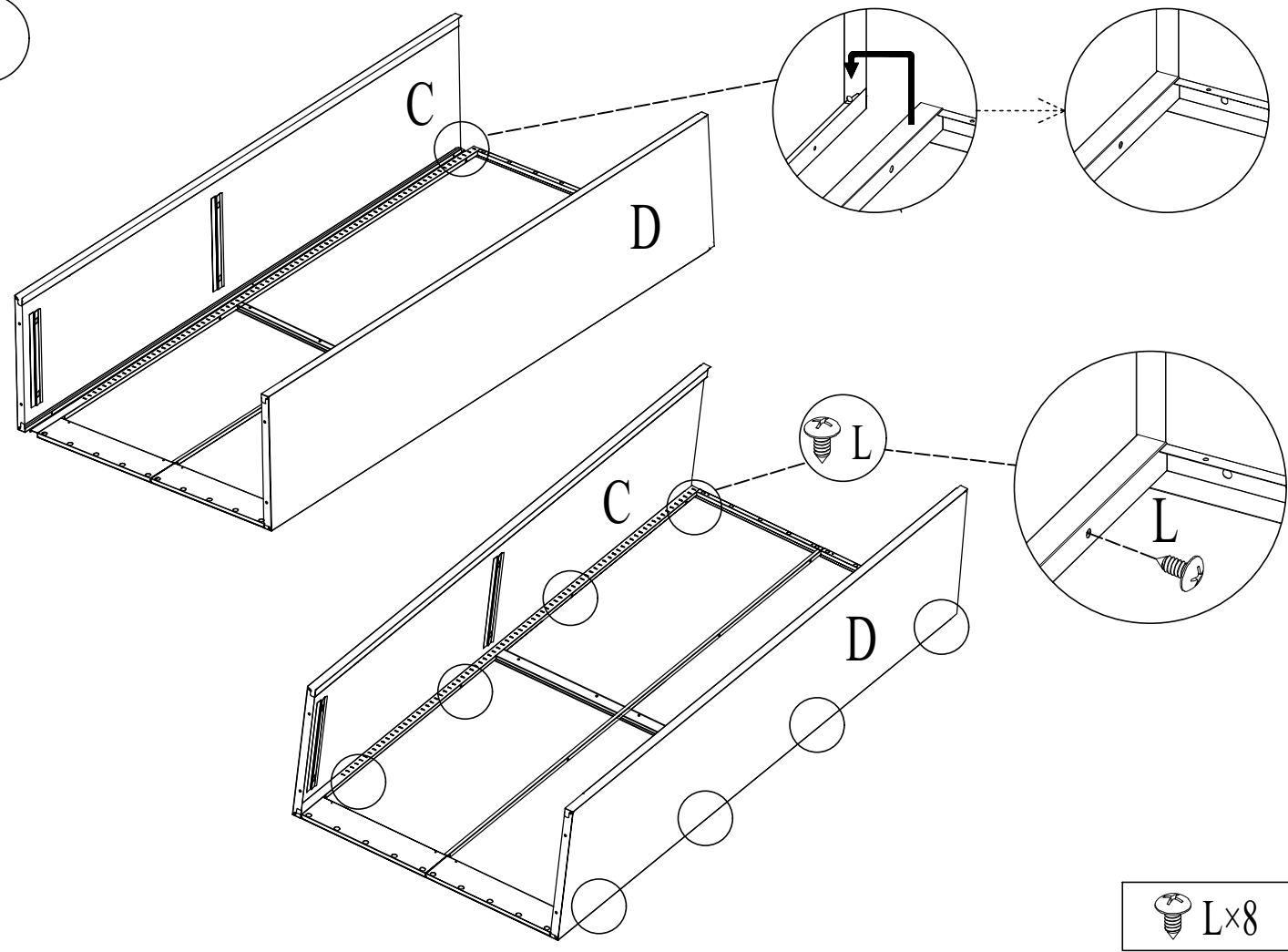


PARTS LIST		LISTE DES PIÈCES			LISTA DE PIEZAS		
Nom Nombre	Part Piece Pieza	Qty Qte	Spare	Name Nom Nombre	Part Piece Pieza	Qty Qte	Spare
A	Left Back Panel	1		K	13/32"Screw		4
B	Right Back Panel	1		L	13/32"Screw		49 2
C	Left Side	1		M	Standing leg		4
D	Right Side	1		N	Adjustable foot		4
E	Kick Plate	1		O	Shelf Support		12 2
F	Bottom Panel	2		P	Laminate fastening buckle		12 2
G	Top Panel	1		Q	Door Pivot Pin Shim\		4 2
H	Shelves	3		R	Haft		4
I	Upper Left Door	1		S	magnet		8
J	Go up to Right Door	1		T	Set screw		1
Y	Lower Left Door	1		V	middle beam		1
Z	Lower Right Door	1					

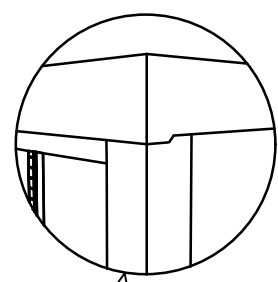
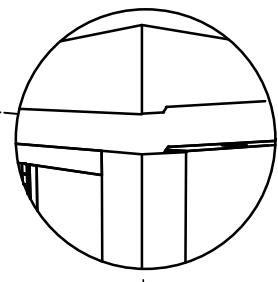
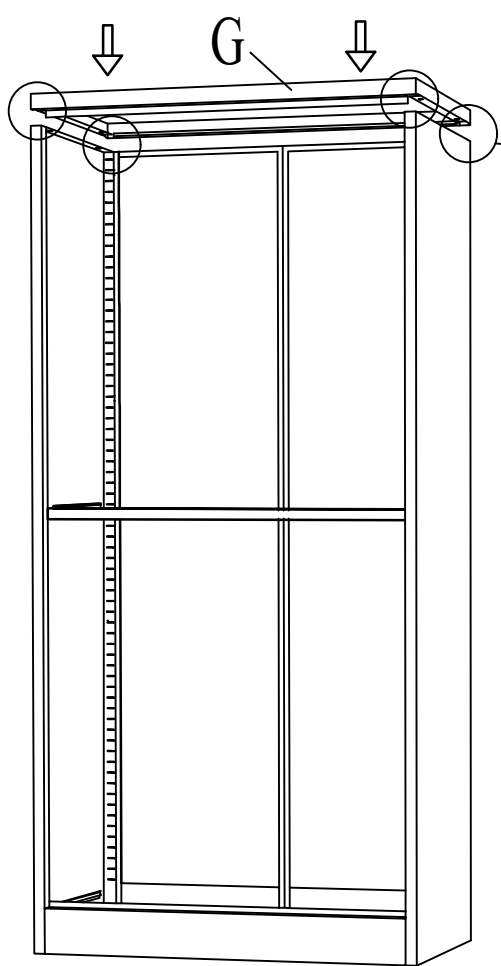
1



2

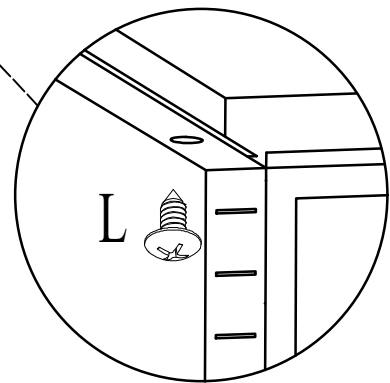
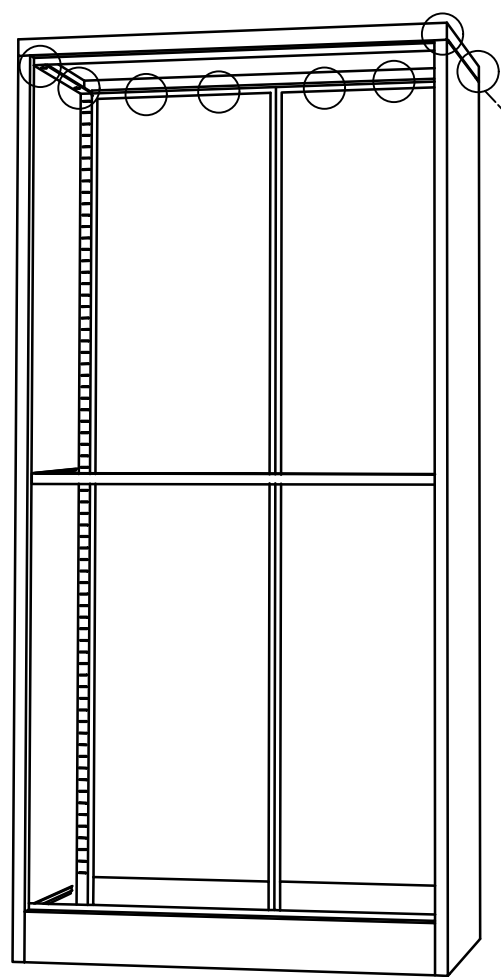


5



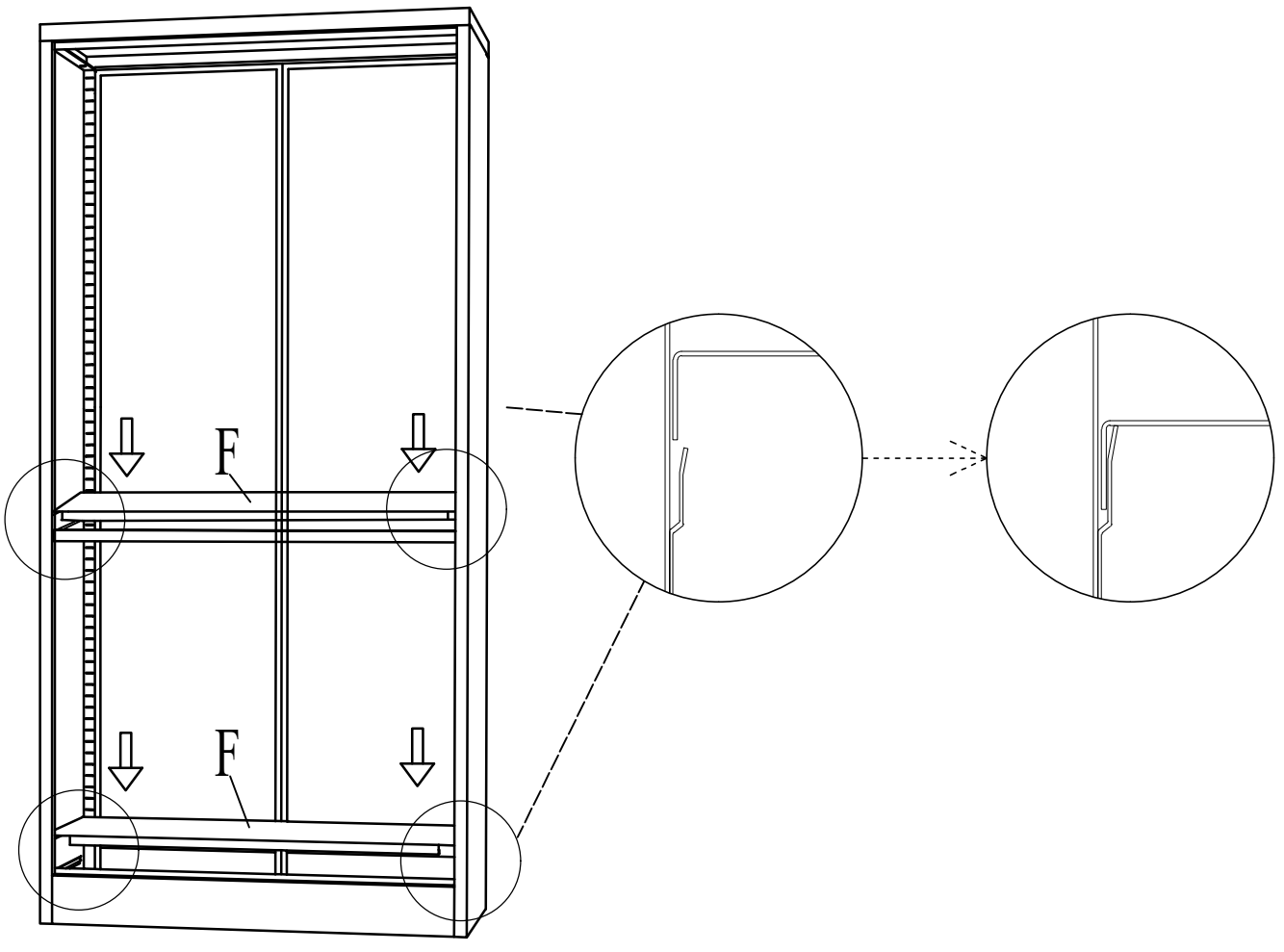
The four corners of the top need to include the four corners of the side panels

6

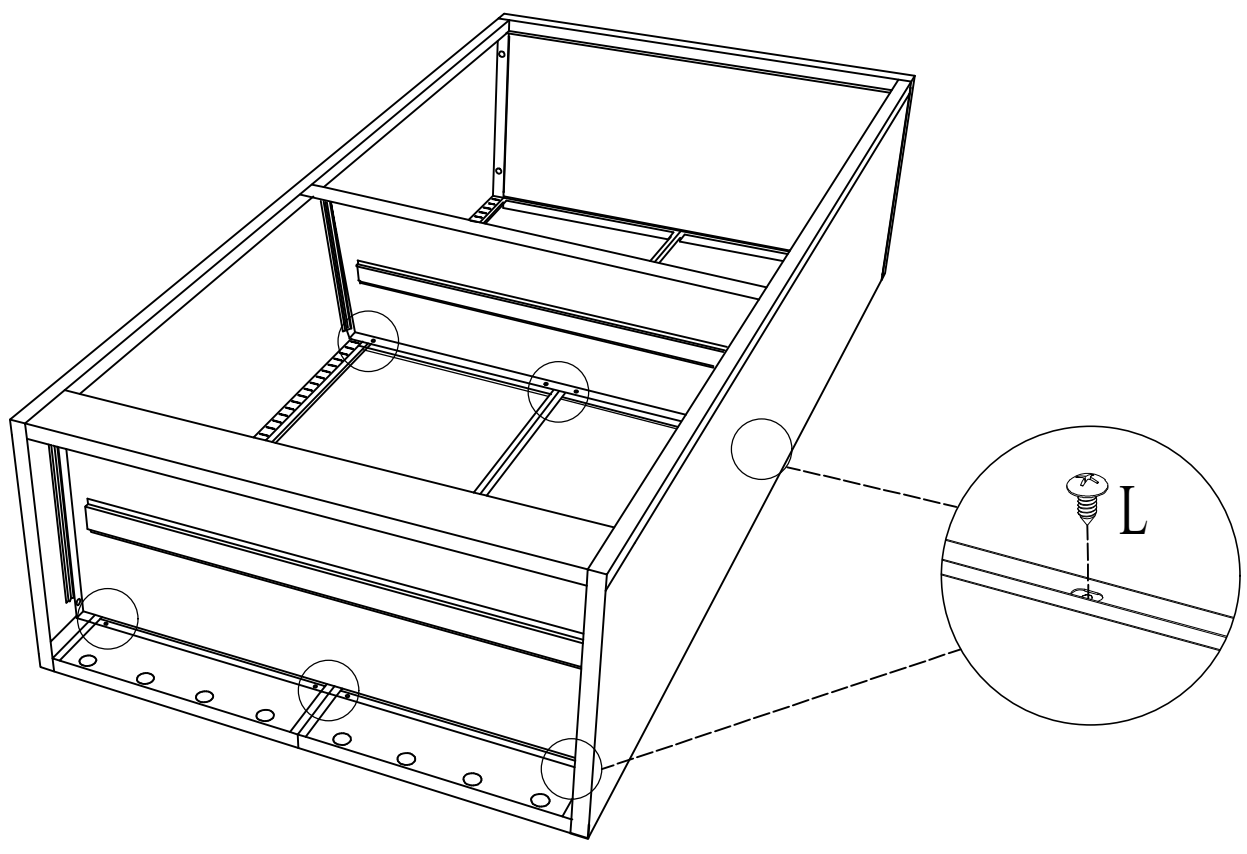


 Lx8

7

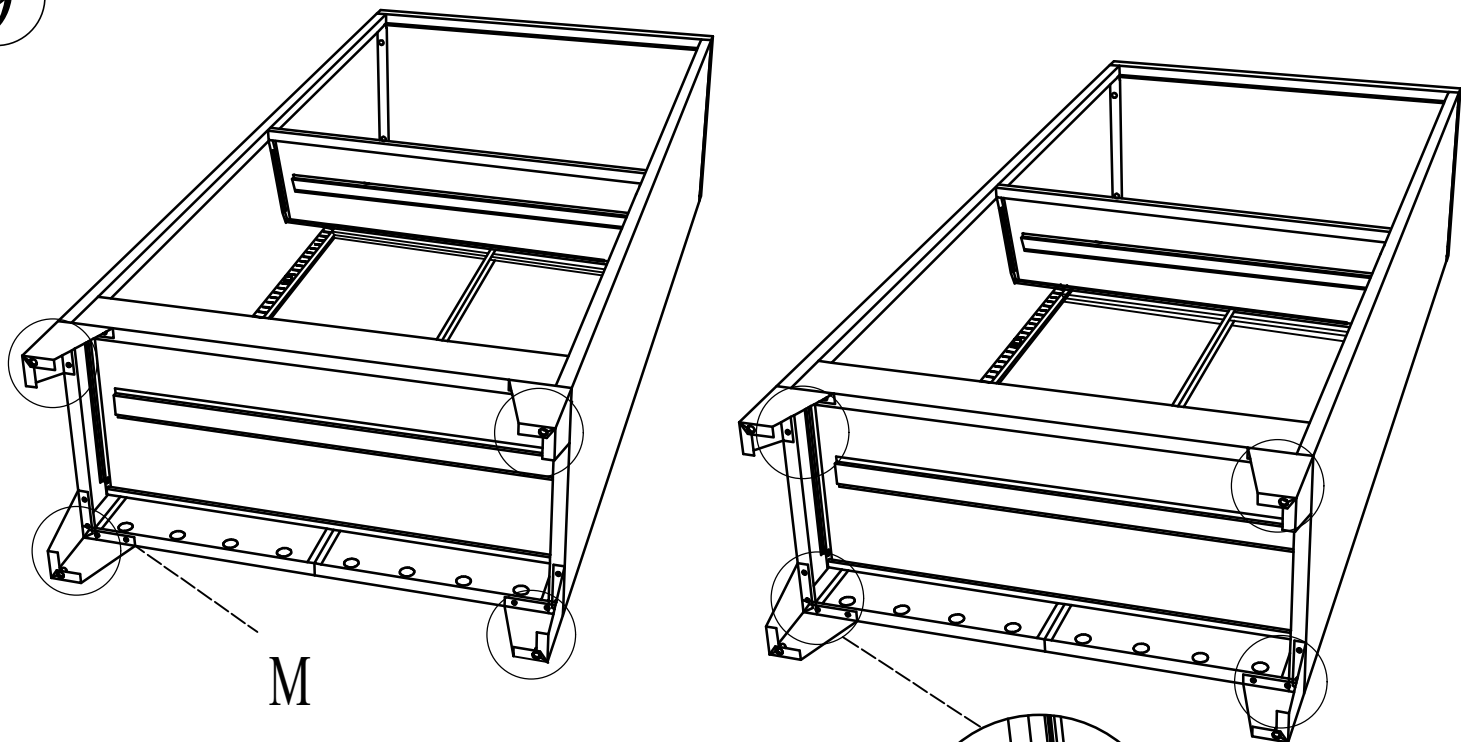


8

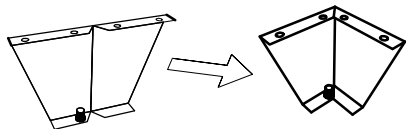


 L×8

9



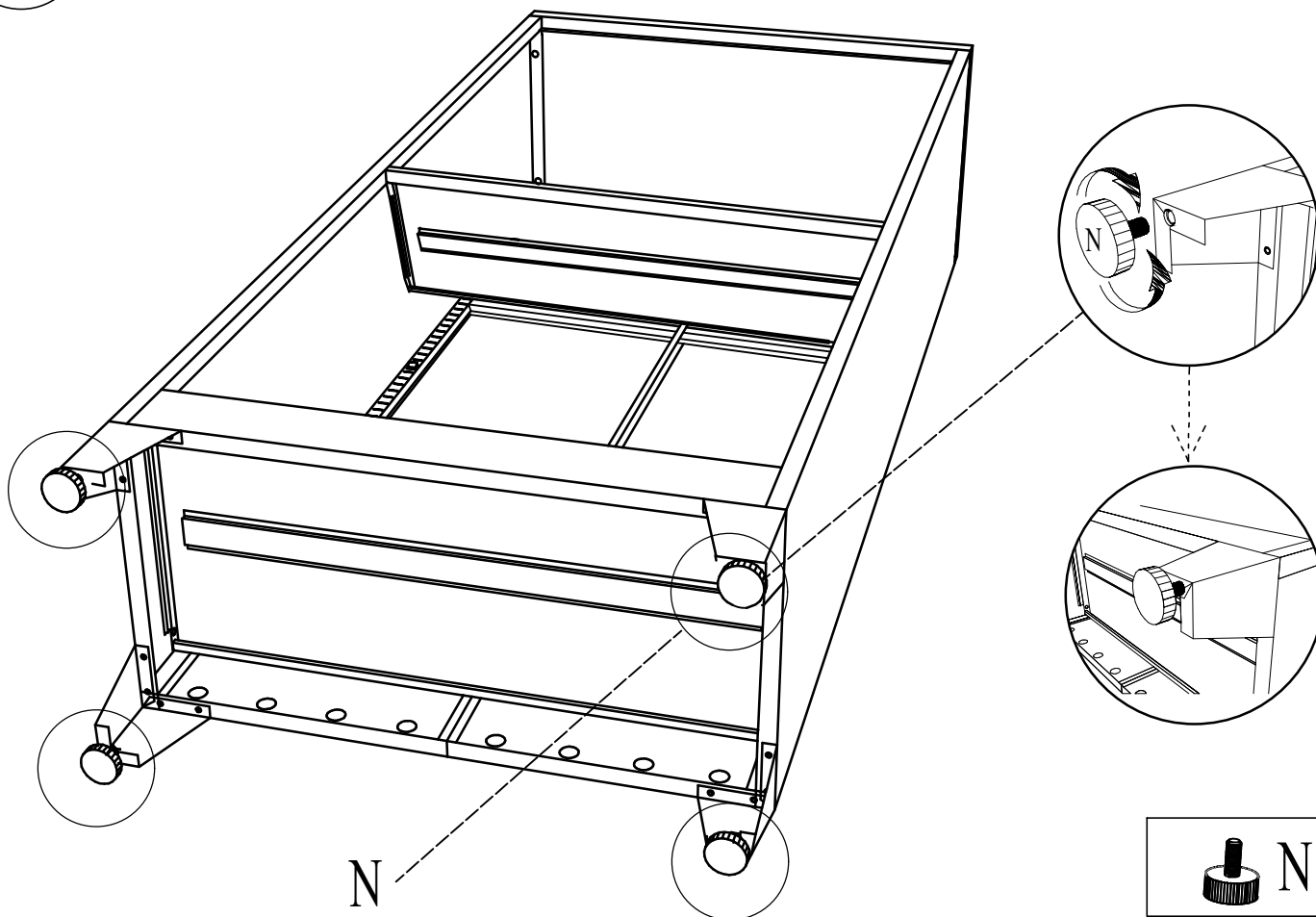
M



If you think it looks better without the standing corner, you can choose to skip this step (9) and the next step (10)

 L×16

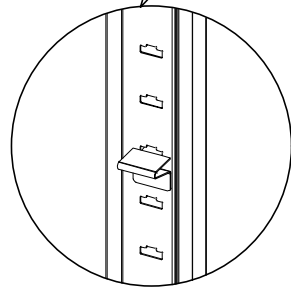
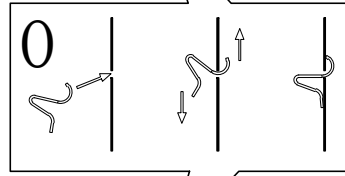
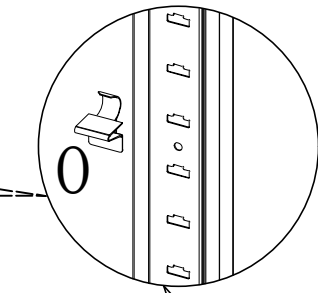
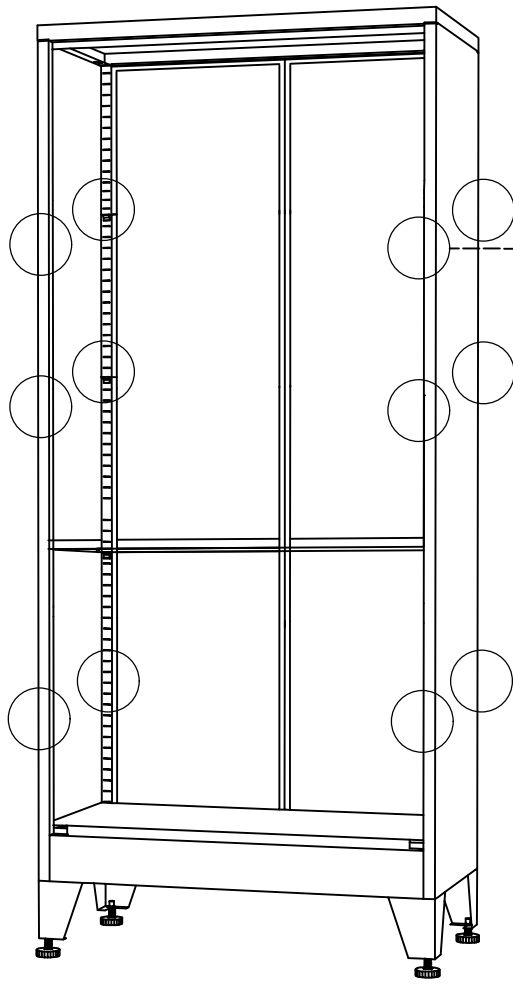
10




N

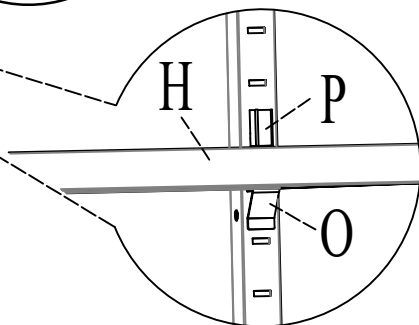
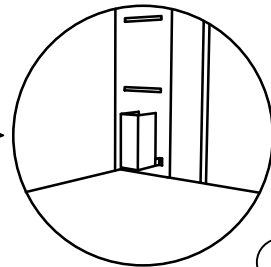
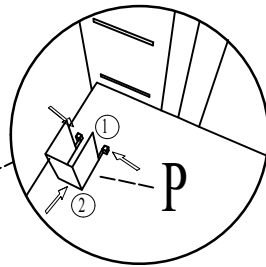
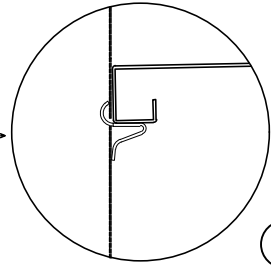
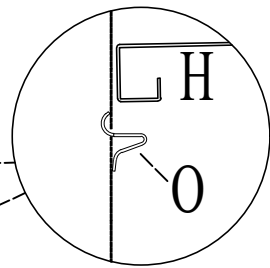
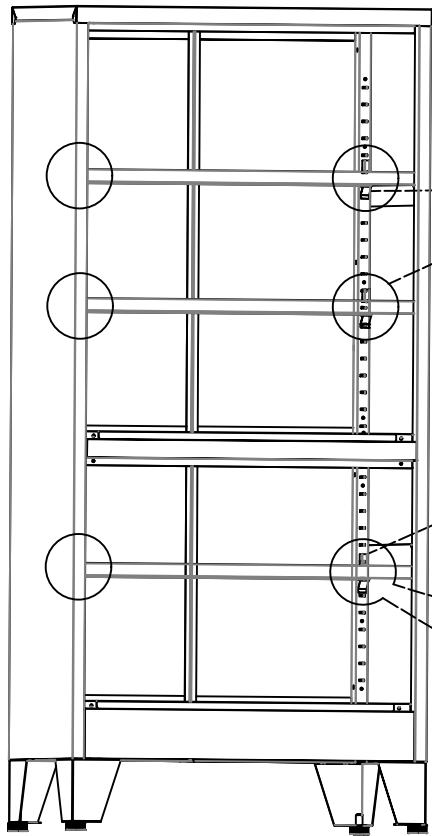
 N×4

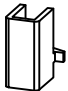
11



 O×12

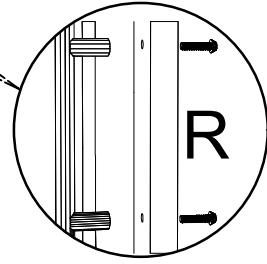
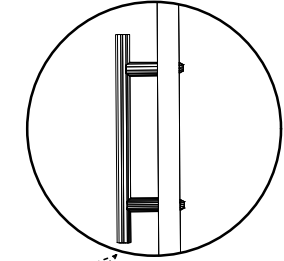
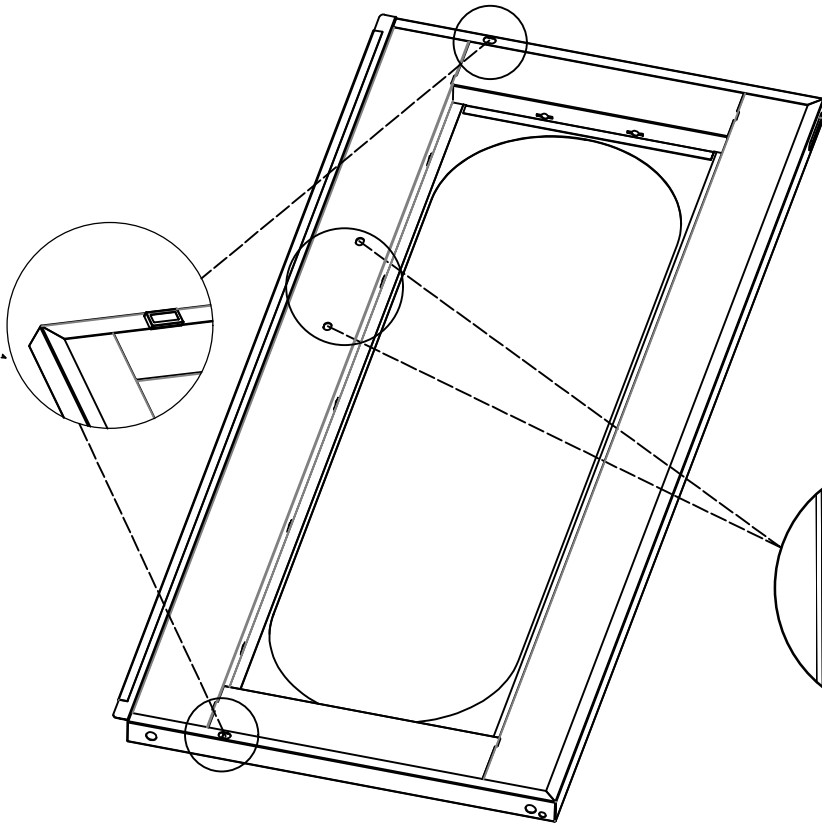
12

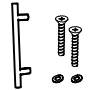

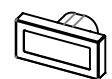


 P×12

13

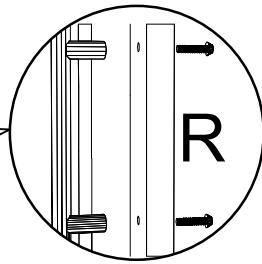
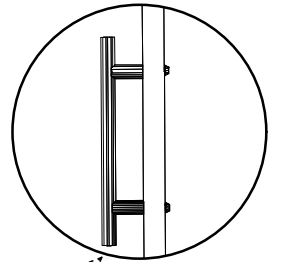
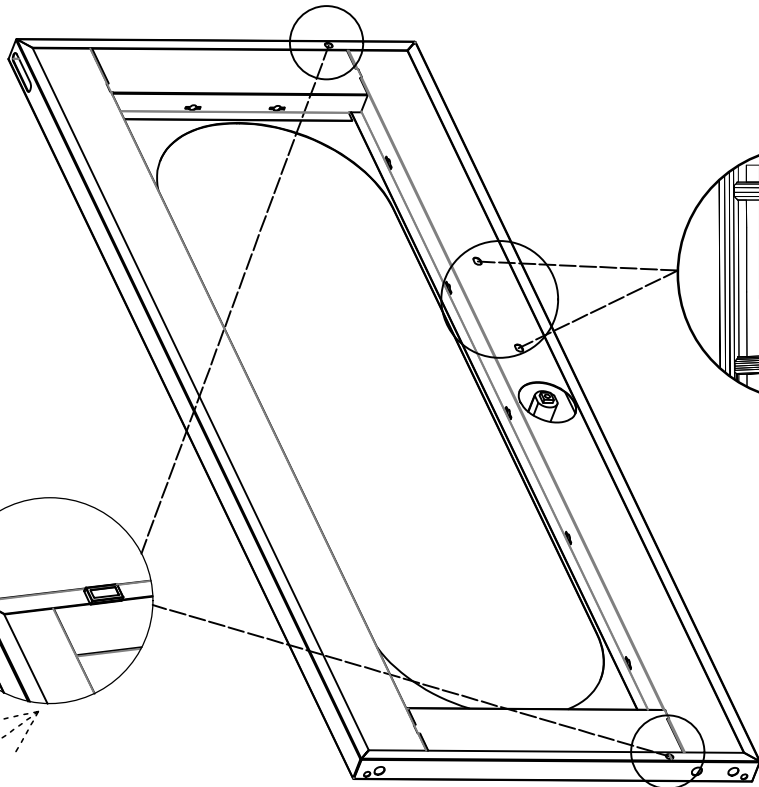
S






 	R×1
	S×2

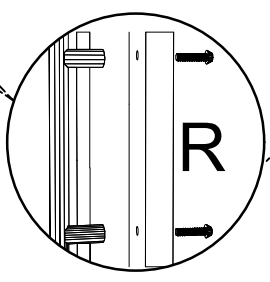
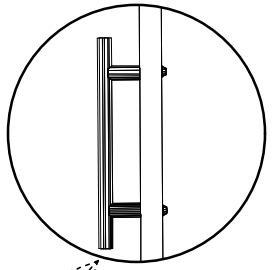
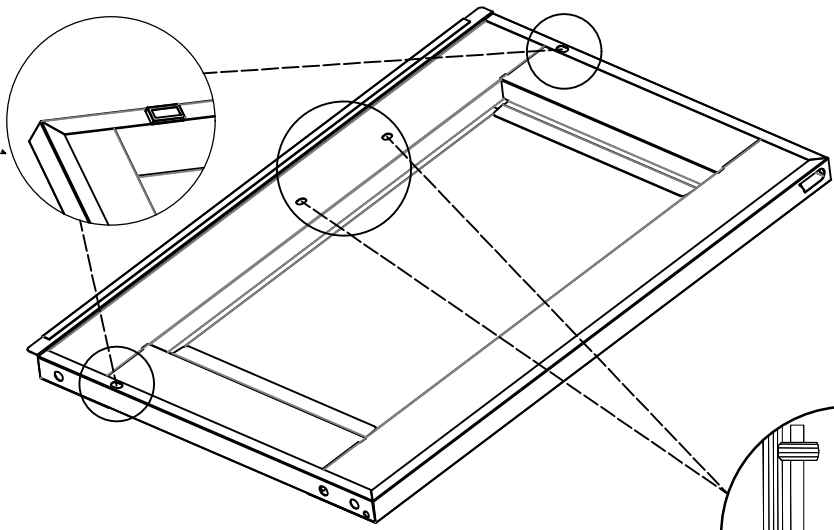
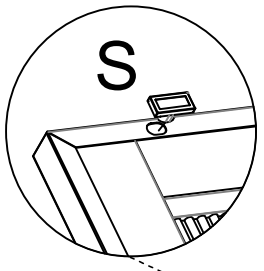
14



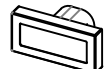
S



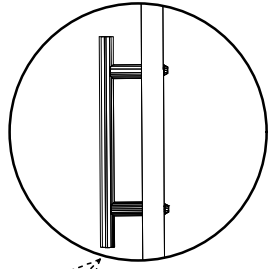
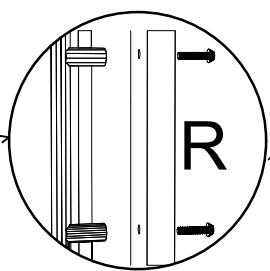
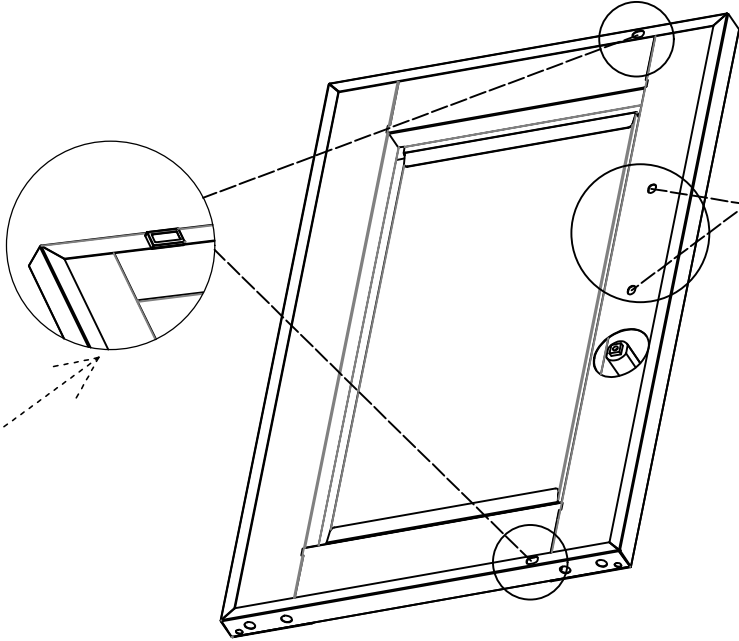
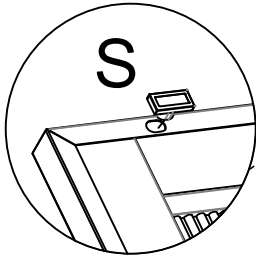
 	R×1
	S×2




15



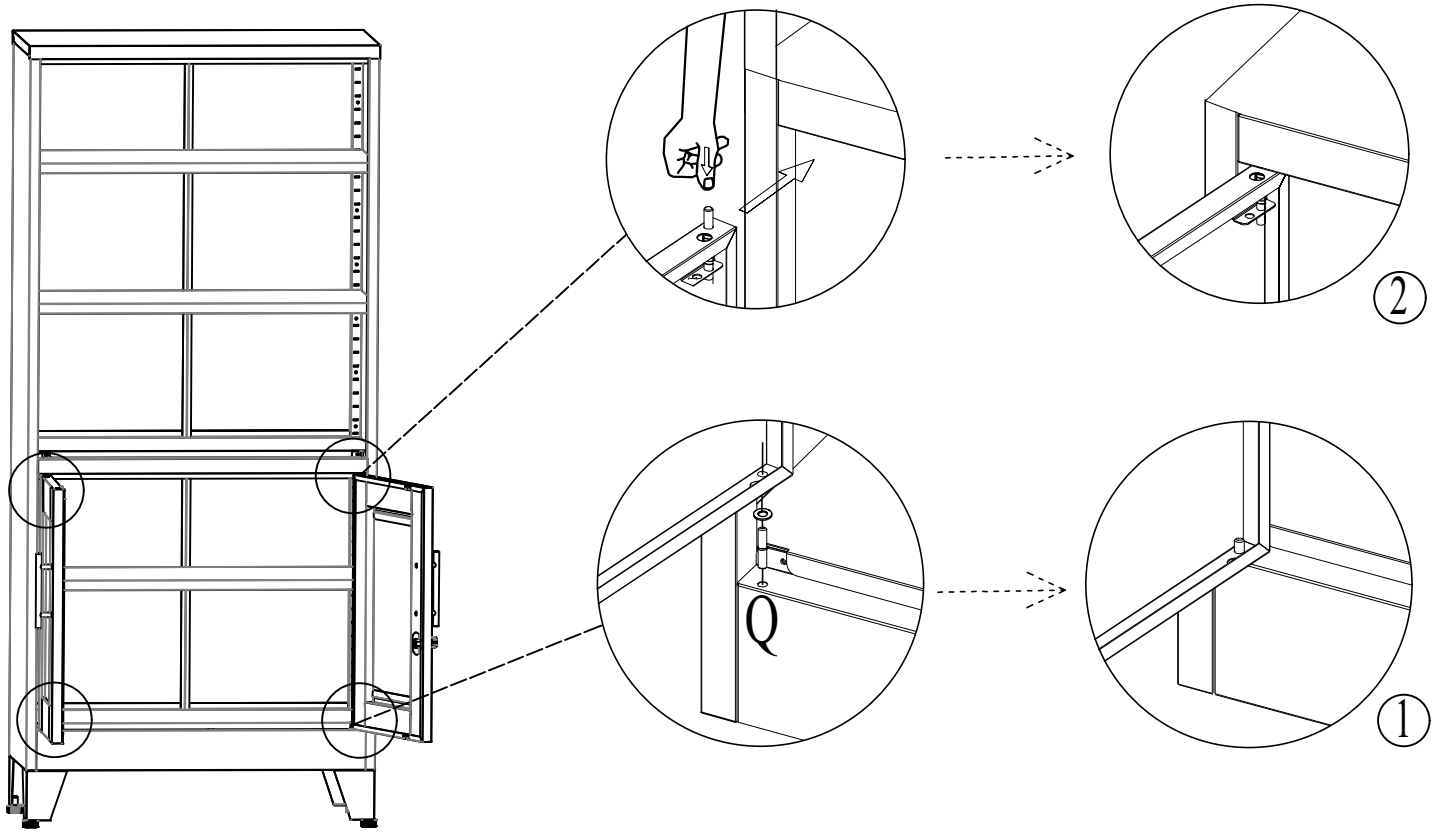
- | | | |
|---|---|-----|
|  |  | R×1 |
|  | | S×2 |

16

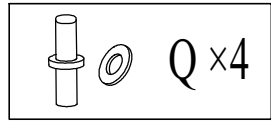


- | | | |
|---|---|-----|
|  |  | R×1 |
|  | | S×2 |

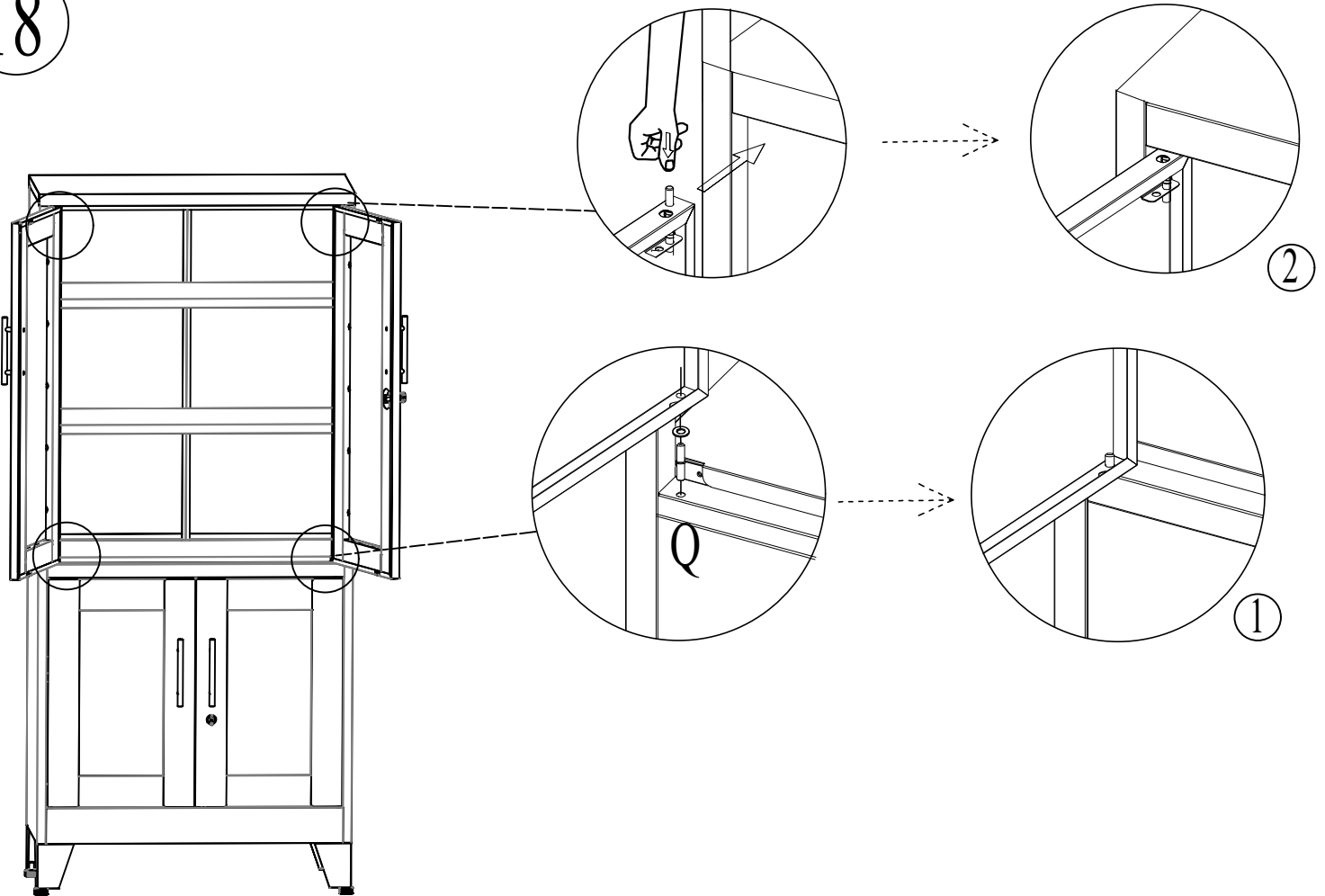
17



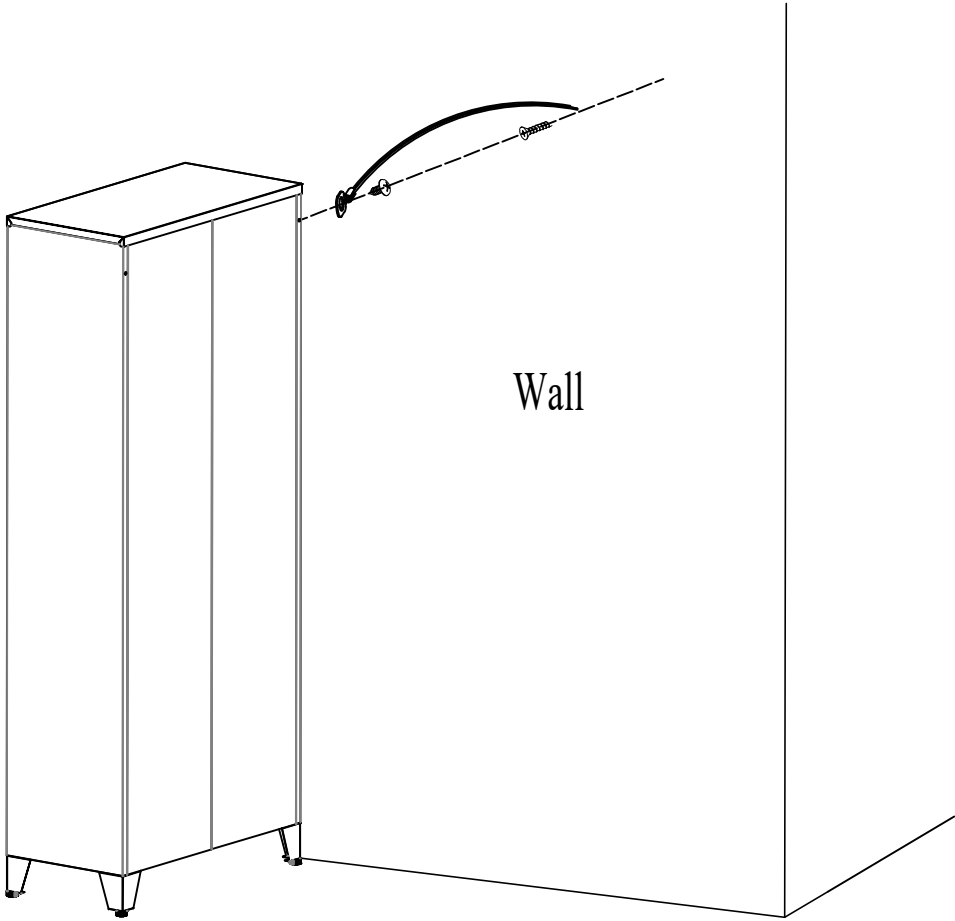
Follow this step to install other door panels Q*4



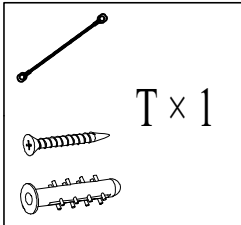
18



The cabinet can be fixed to the wall as needed.

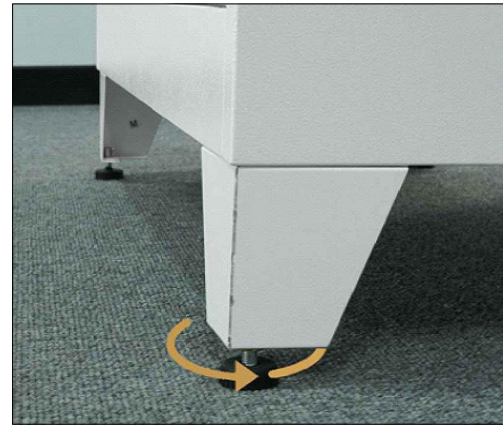
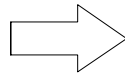
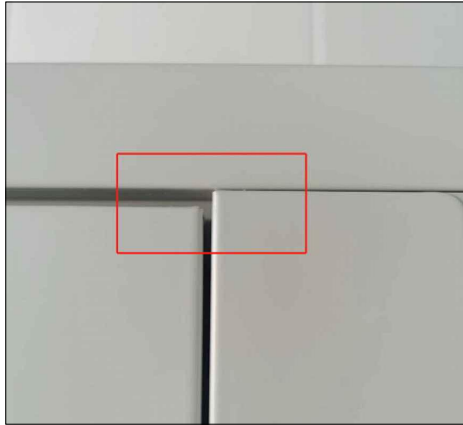


extra screws as spares



Problems and Solutions

Question 1: when encountering uneven height of two door panels, adjust the bottom adjustment foot to make it flat.



Question 2: When the door is closed, it still protrudes outward.

That's because the door is made of steel plate and has stretchability. You can adjust it according to the method shown in the picture.

