

# Assembly Instructions

## CAUTION



• Inspect the wire insulation for any cuts, abrasions, or exposed copper that may have resulted during shipping. If there is a defect in the wire, do not attempt installation.

• Before starting installation of this fixture or removal of a previous fixture, disconnect the power by turning off the circuit breaker or by removing the fuse at the fuse box.

## TOOLS REQUIRED



Ladder



Safety glasses



Electrical tape



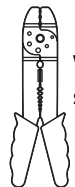
Phillips screwdriver



Flat blade screwdriver



Pliers

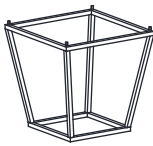


Wire strippers

## HARDWARE INCLUDED



Fixture



Iron Rack



Ball Nuts



Chain



Canopy



Screw Collar Ring



Mounting Unit



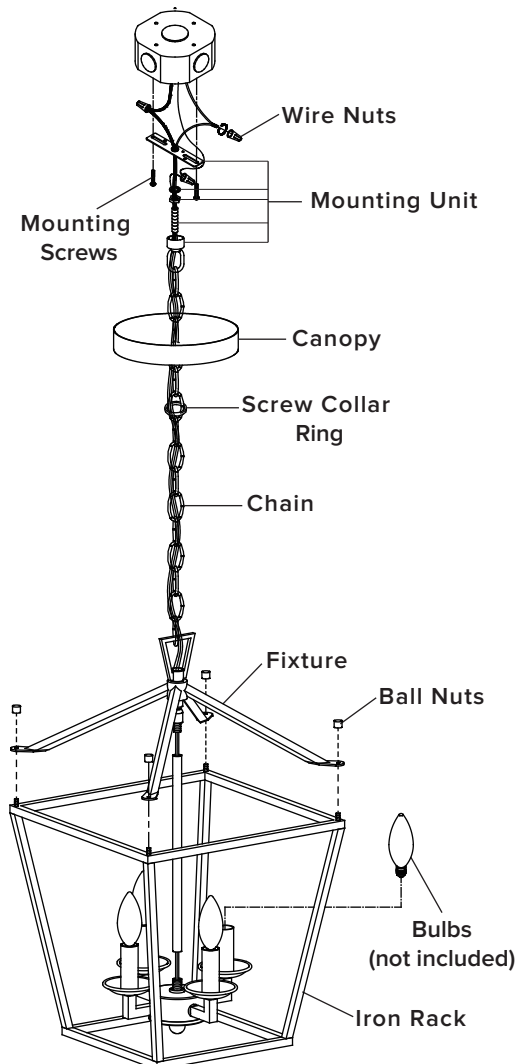
Mounting Screws



Wire Nuts

\*PARTS SHOWN MAY DIFFER SLIGHTLY PER LIGHT FIXTURE

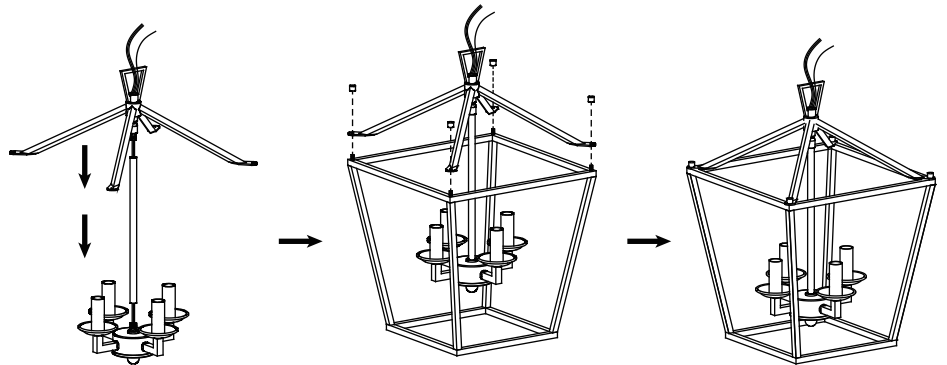
## EXPLODED PARTS



## INSTALLATION

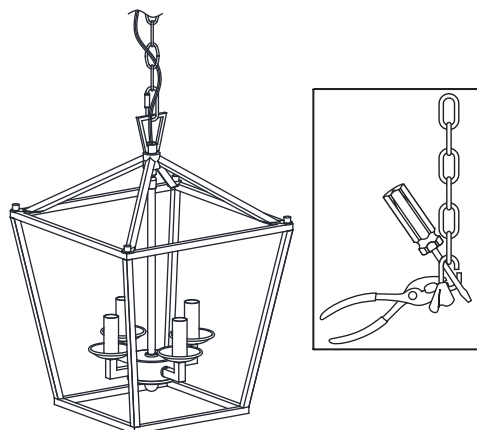
### STEP 1

Attach the **iron rack** onto **fixture** using **ball nuts**.



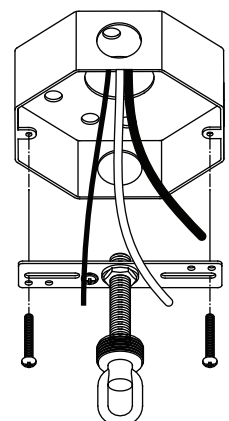
### STEP 2

Attach the end of the **chain** to the loop on the **fixture**.



### STEP 3

Use the **mounting screws** to attach the **mounting unit** to the junction box.

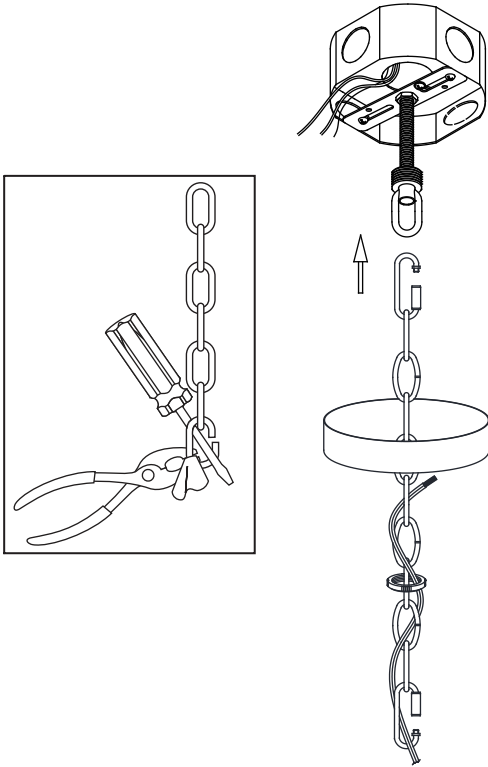


# Assembly Instructions

## INSTALLATION

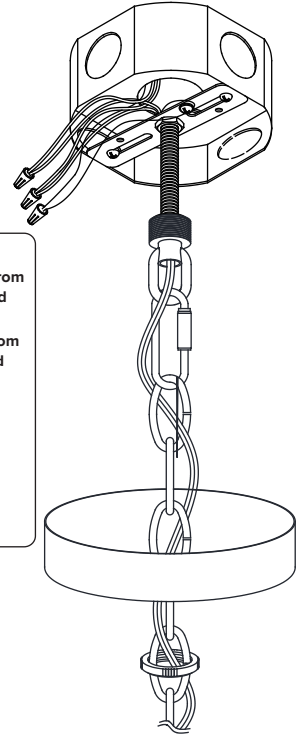
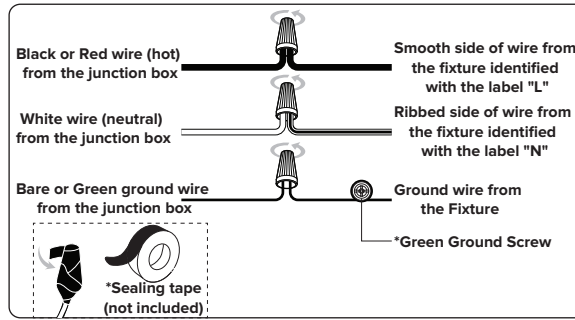
### STEP 4

Pass the **chain** and the branchwires through the **screw collar ring** and **canopy**. Feed the branchwires through the pipe nipple on the **mounting unit** and attach the end of the **chain** to the **mounting unit**.



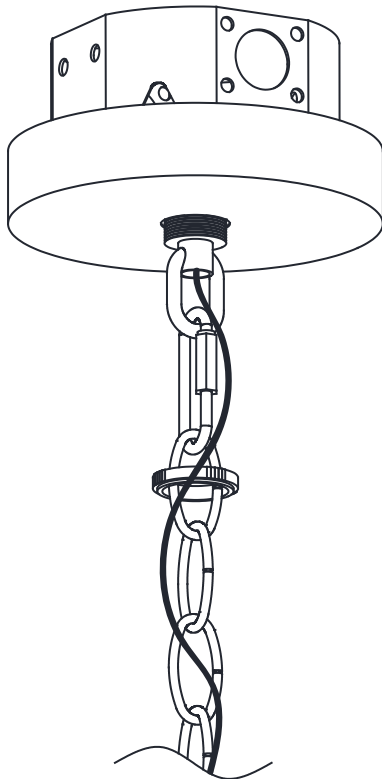
### STEP 5

Make the electrical connection from the junction box to the **fixture**. Connect the ground wire to the **mounting unit** using the preinstalled green ground screw. Then, connect the positive, negative and ground wires with the supplied **wire nuts**. Secure with electrical tape.



### STEP 6

Secure the **canopy** to the **mounting unit** with the **screw collar ring**.



### STEP 7

Install bulbs (not included)

