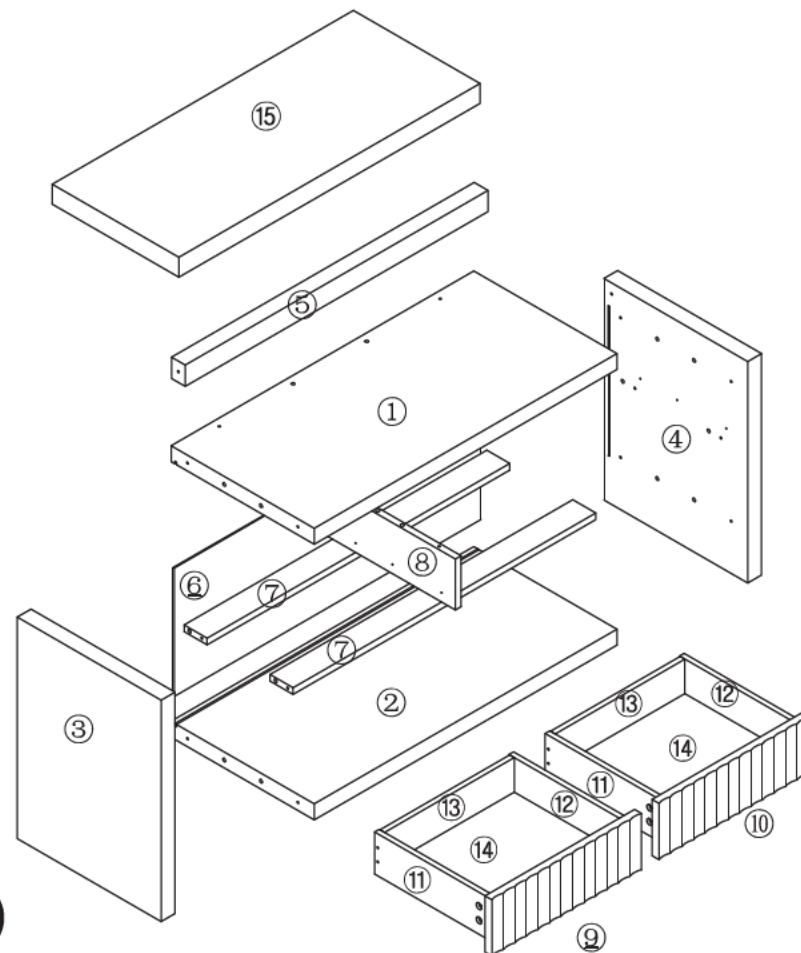


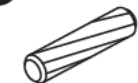











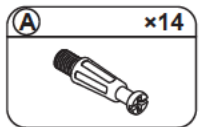
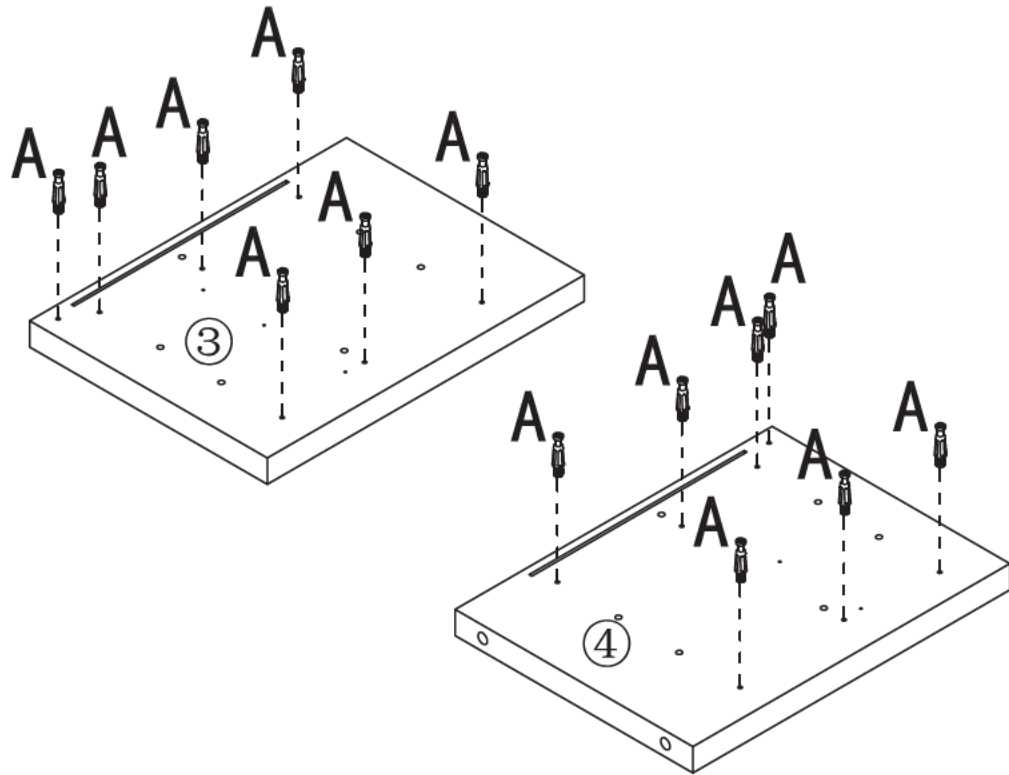
Parts list



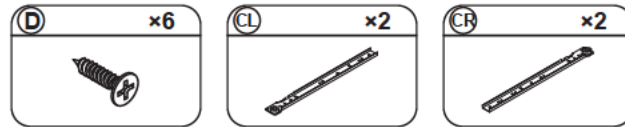
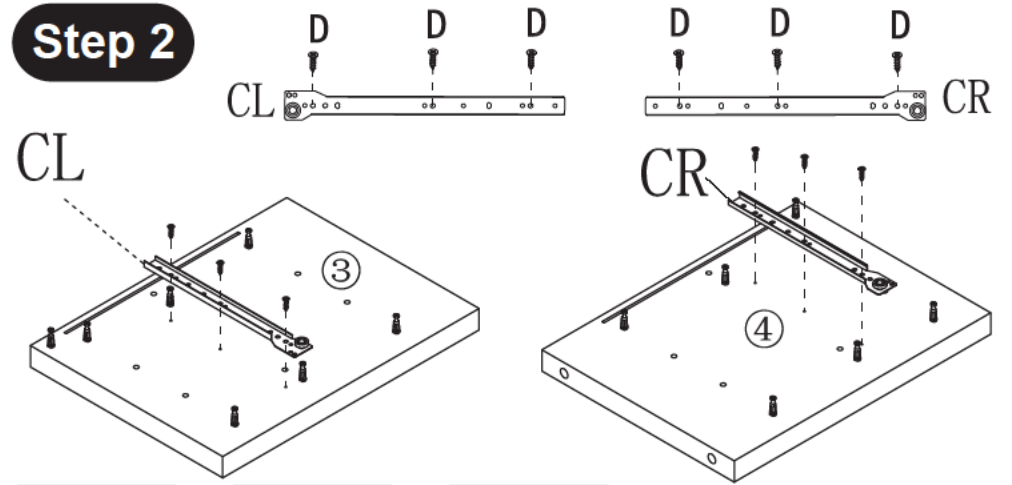
Hardware list

A x26 	B x26 	C x16 $\phi 8 \times 30\text{mm}$ 	D x24 $\phi 3.5 \times 12\text{mm}$ 	E x8 $\phi 4 \times 30\text{mm}$ 
F x2 $\phi 4 \times 40\text{mm}$ 	G x26 	H x4 	DL x2 	CL x2 
CR x2 	DR x2 			

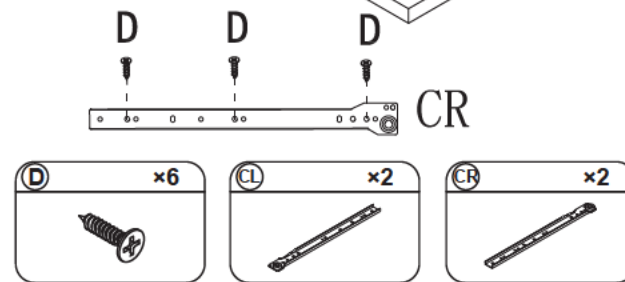
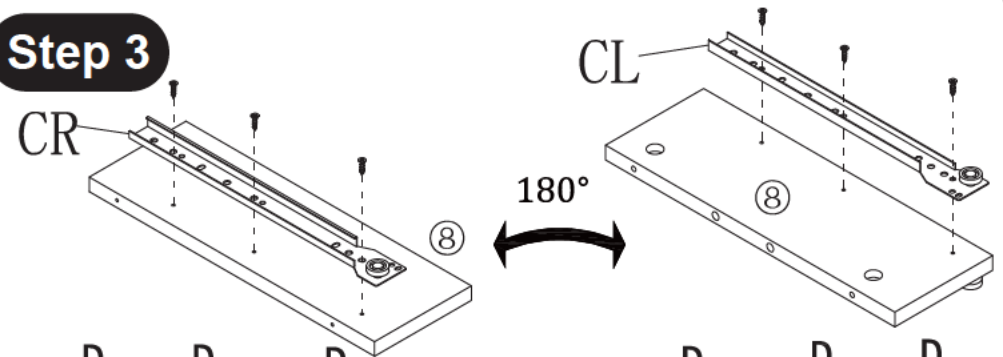
Step 1



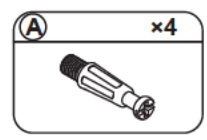
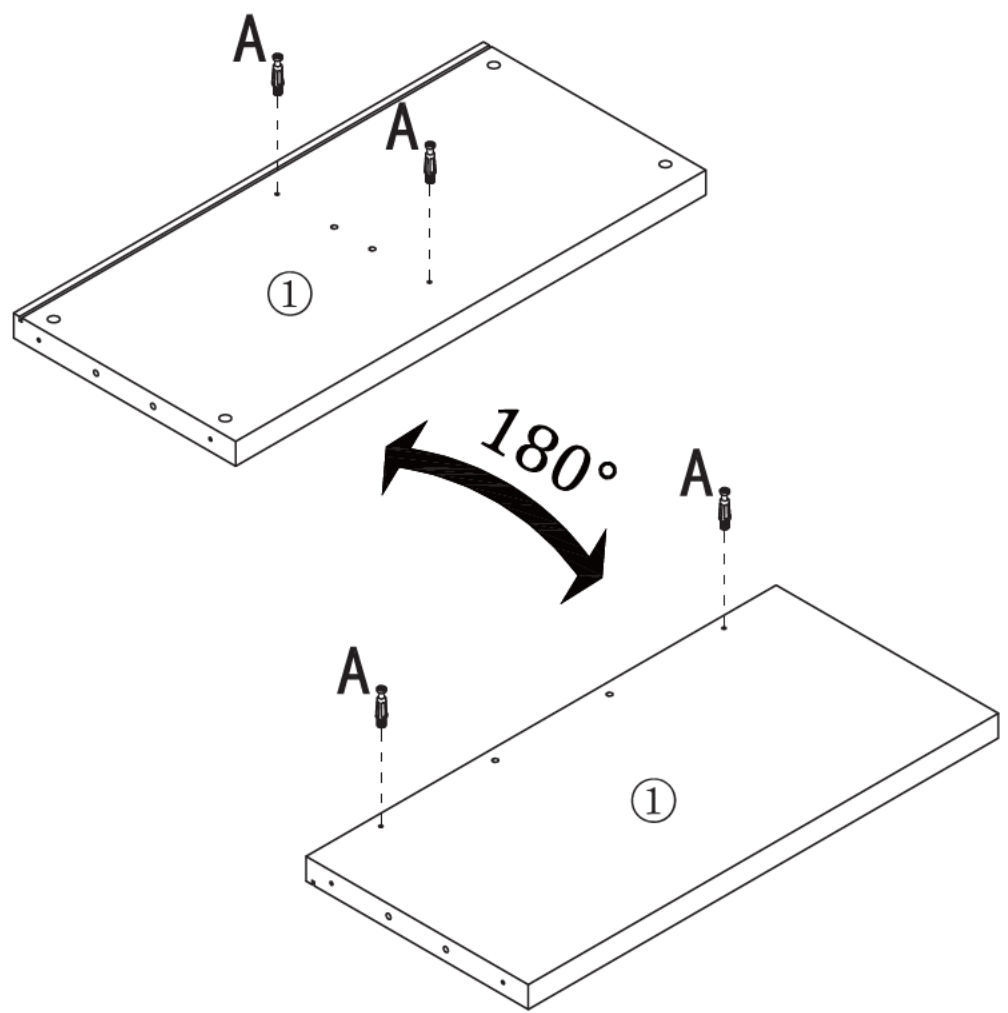
Step 2



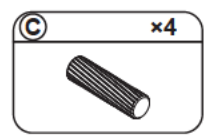
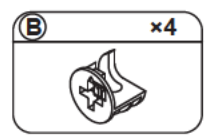
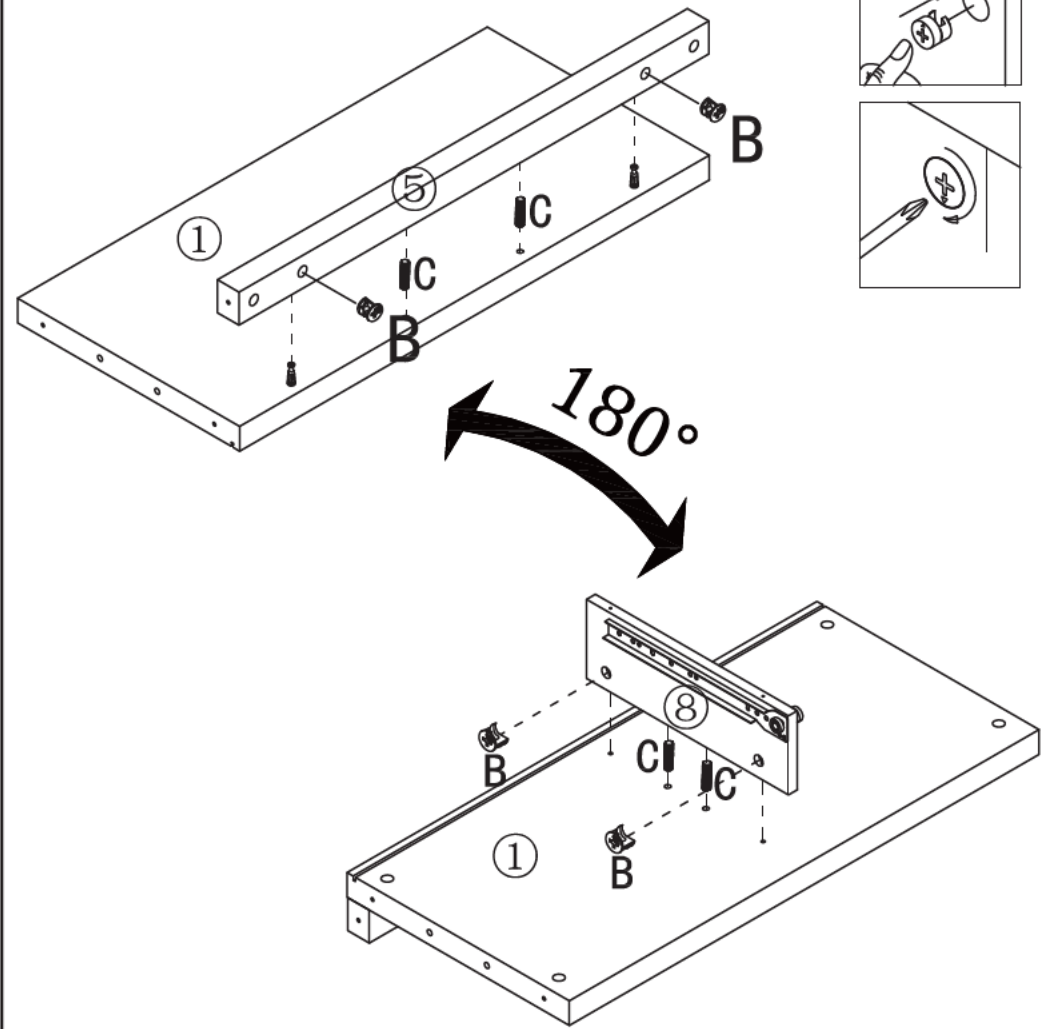
Step 3



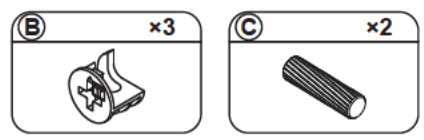
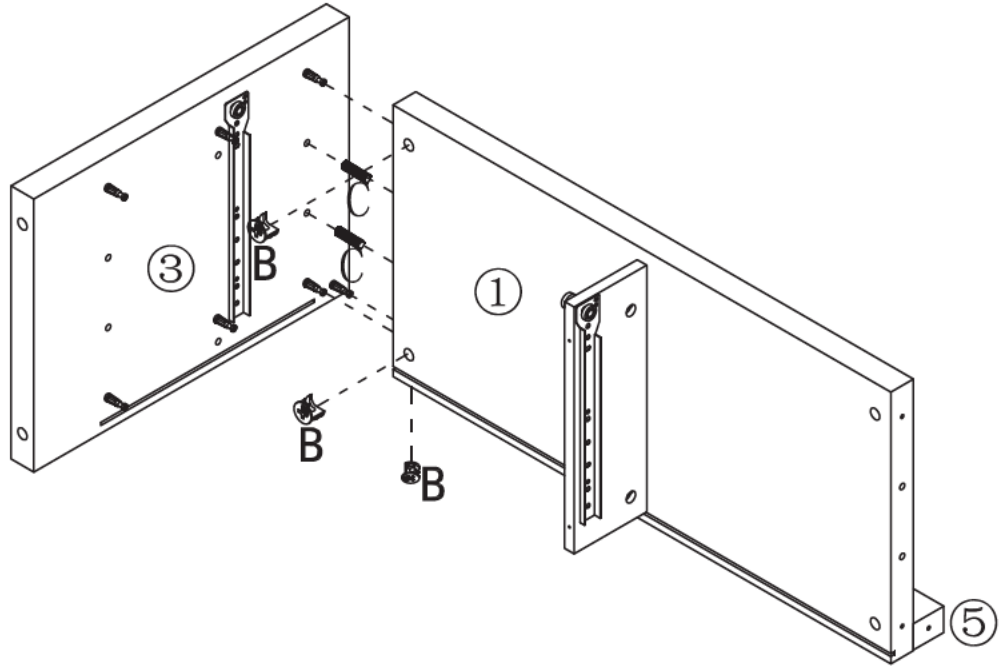
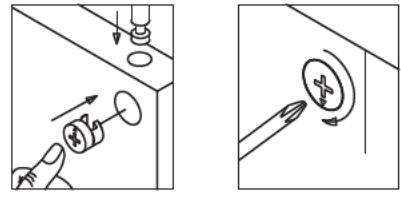
Step 4



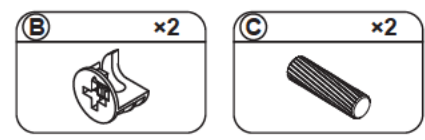
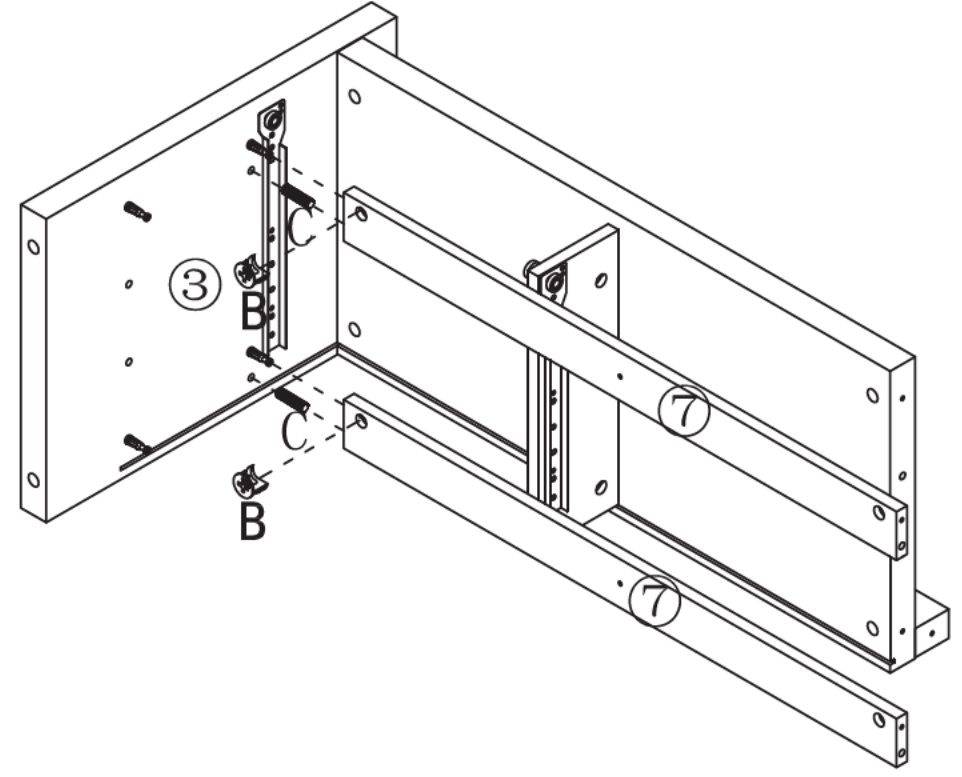
Step 5



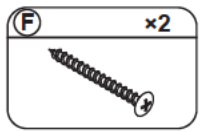
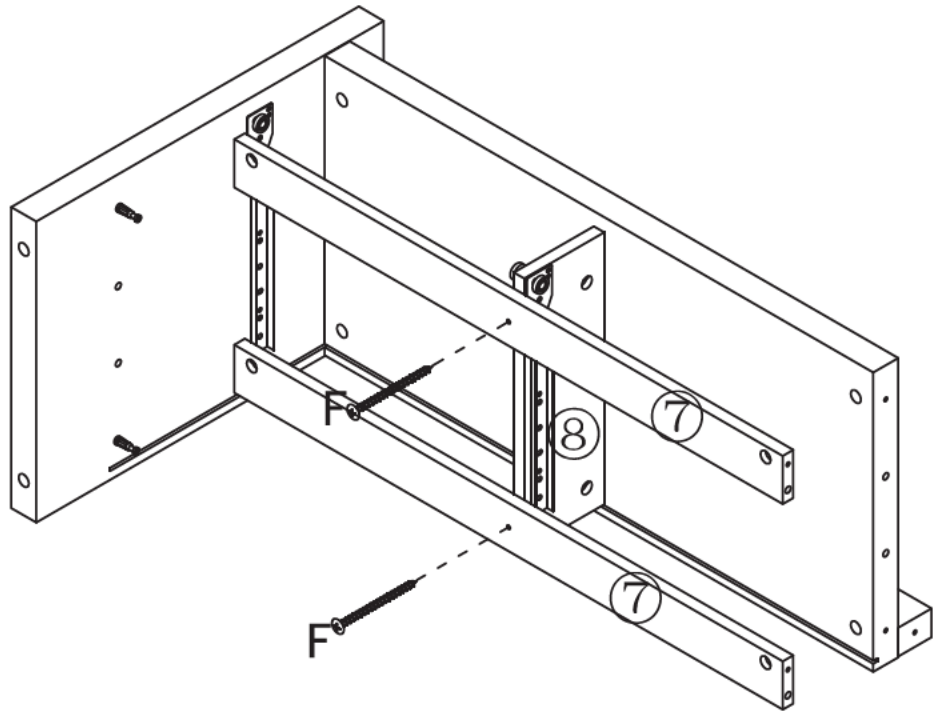
Step 6



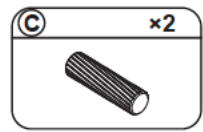
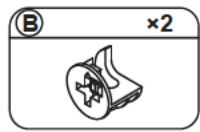
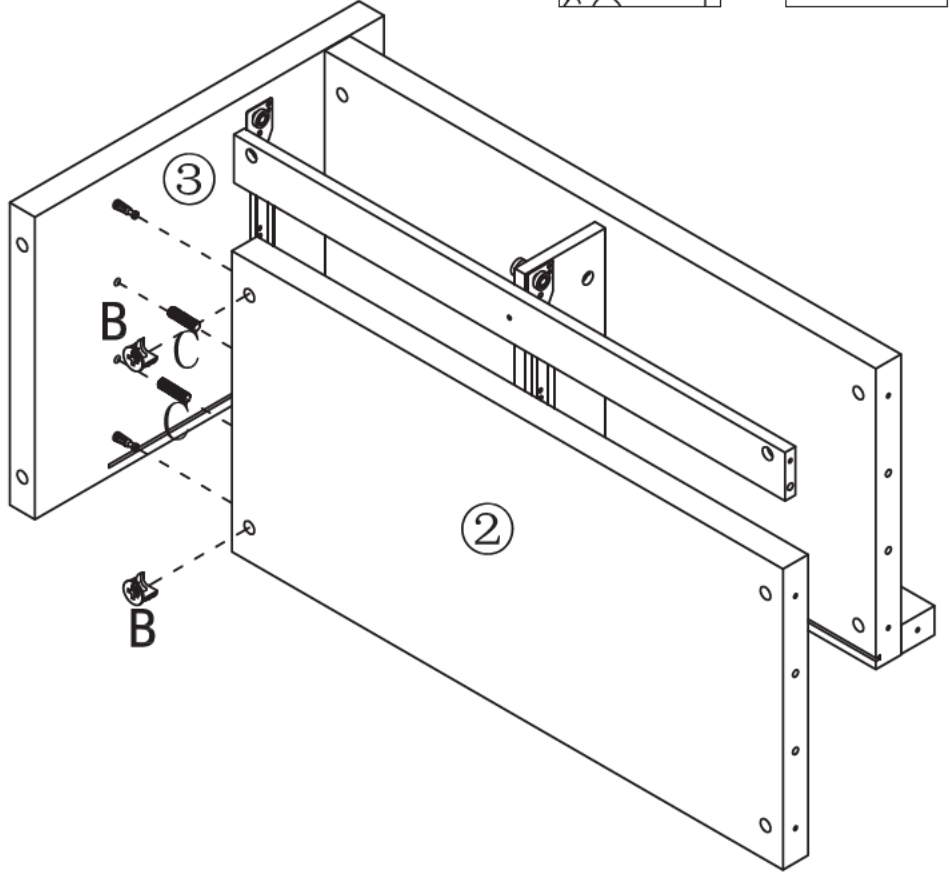
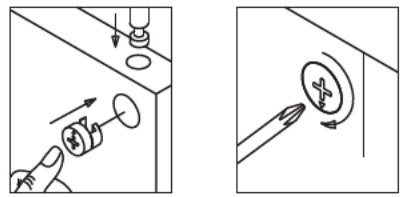
Step 7



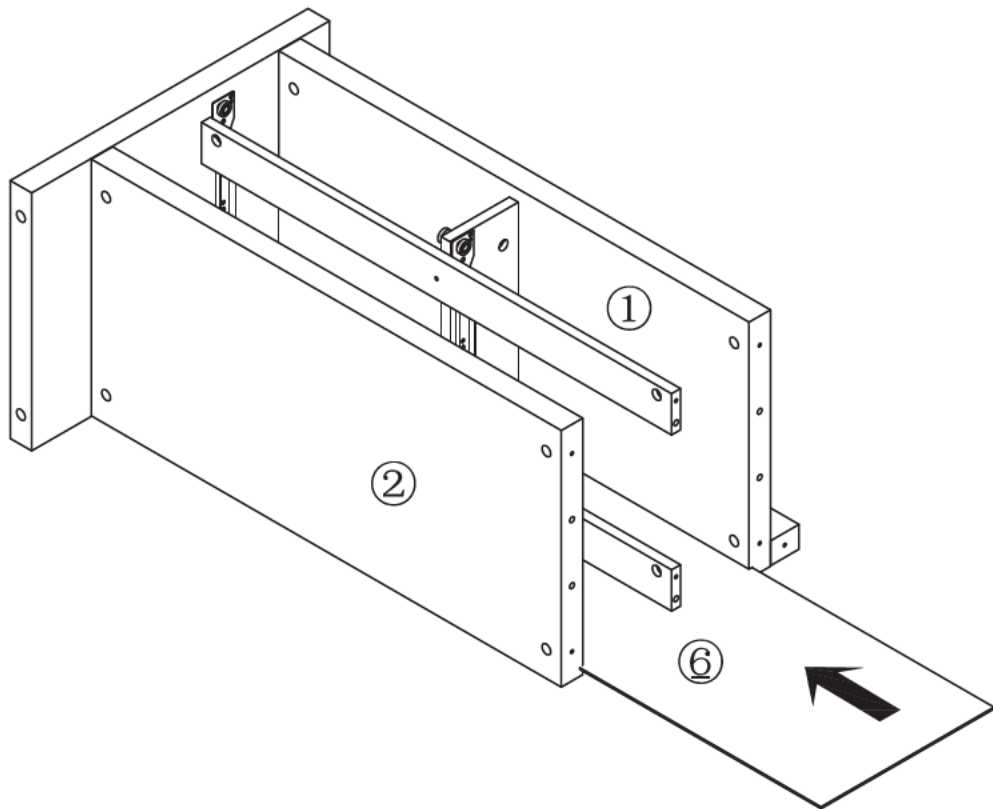
Step 8



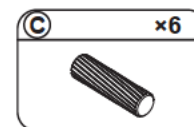
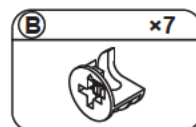
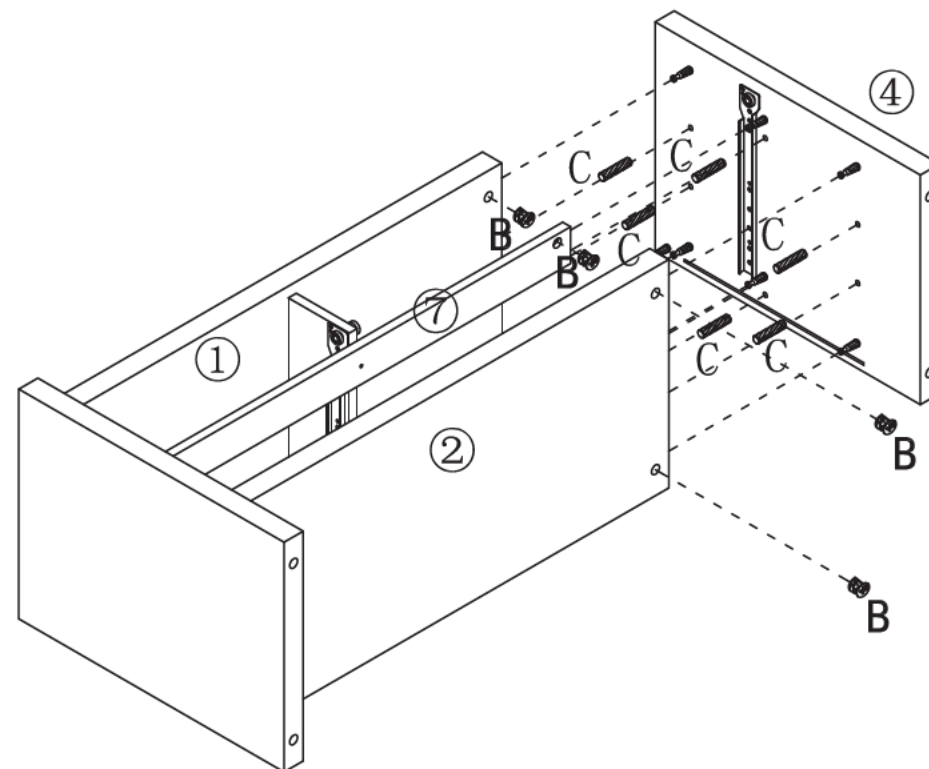
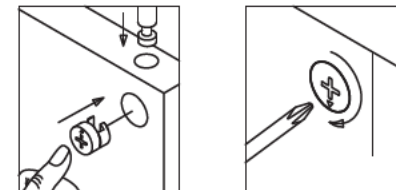
Step 9



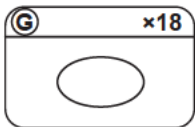
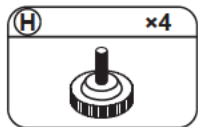
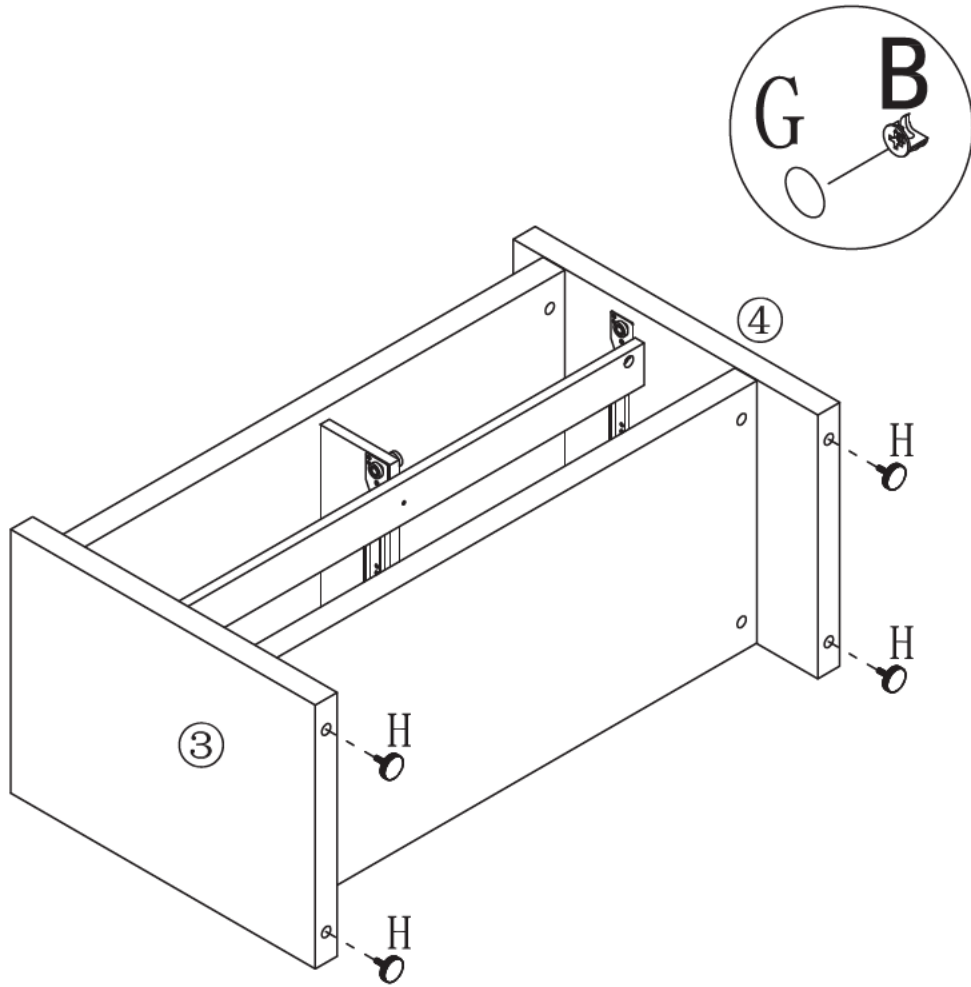
Step 10



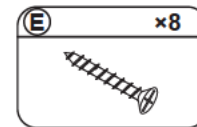
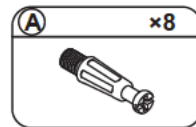
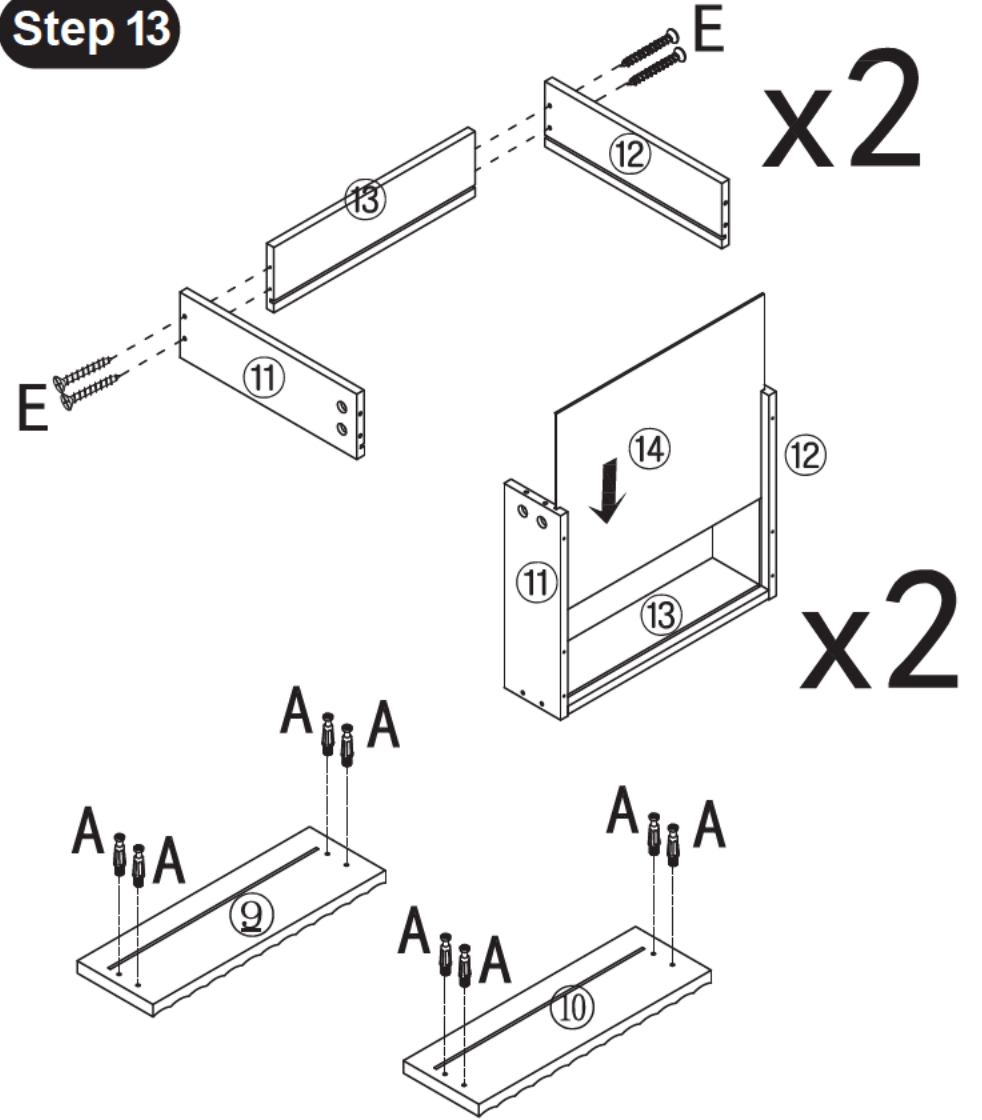
Step 11



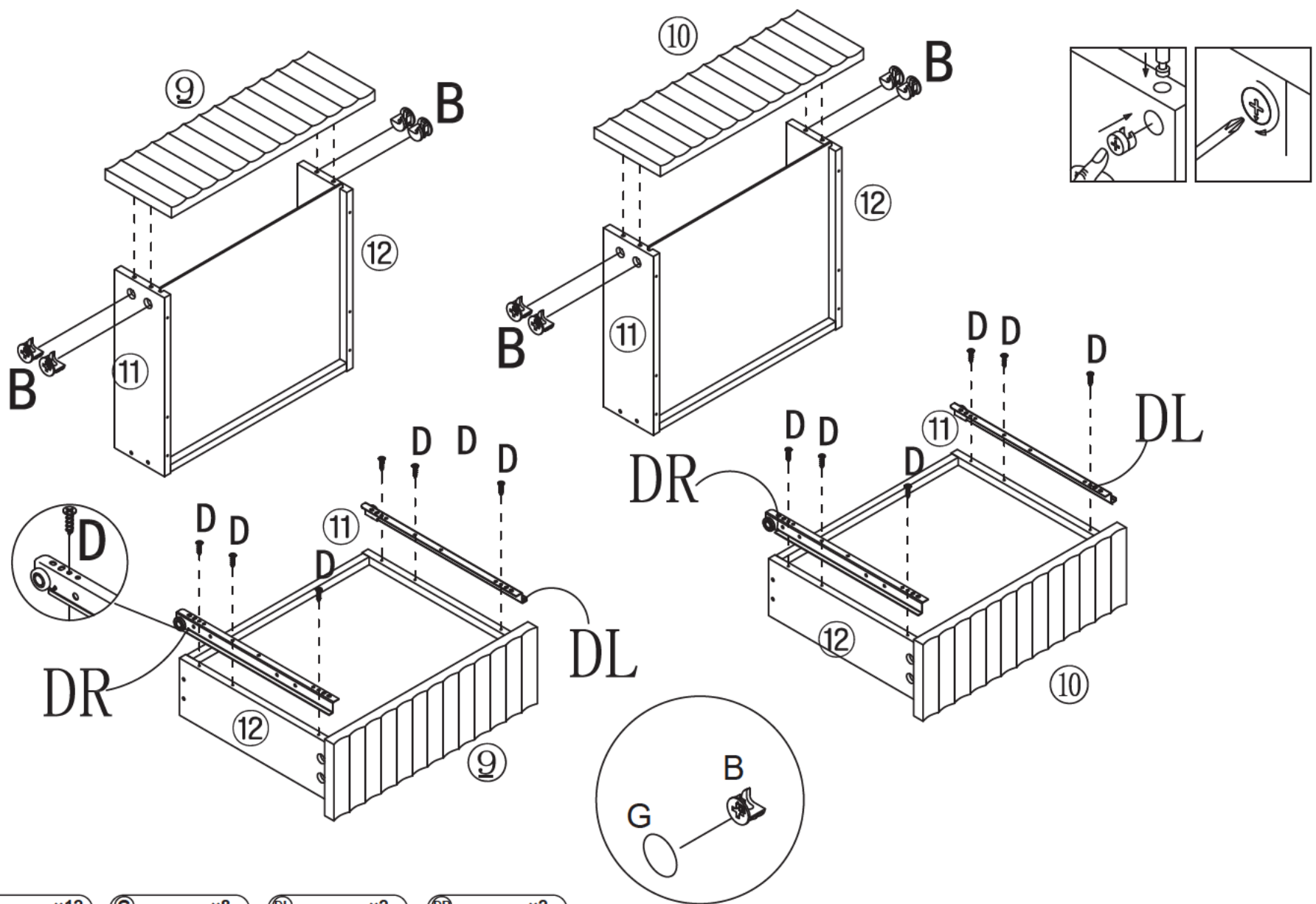
Step 12



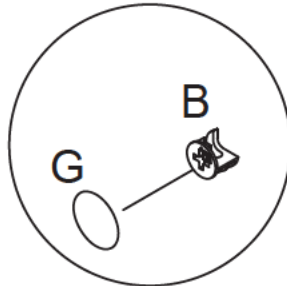
Step 13



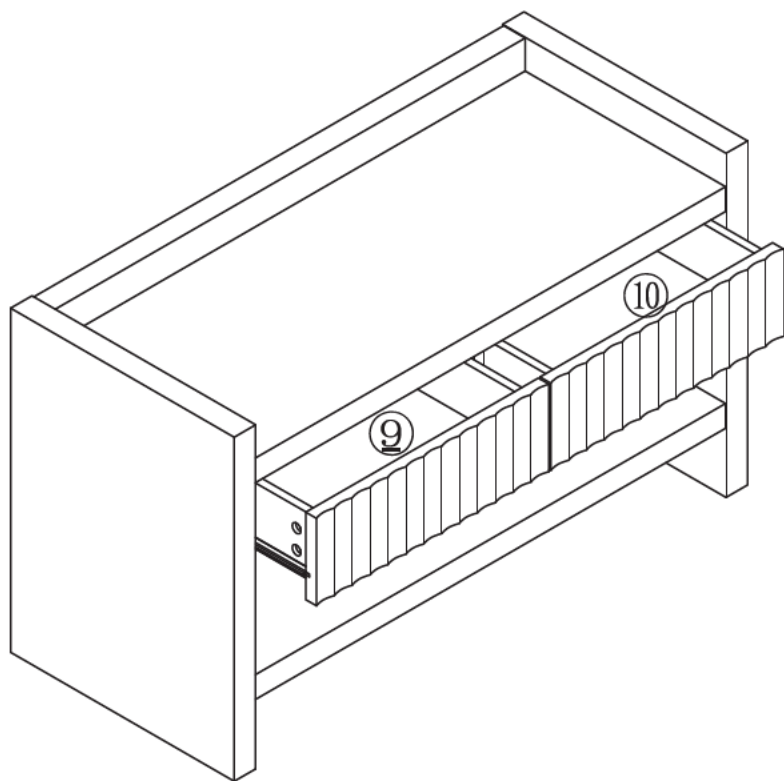
Step 14



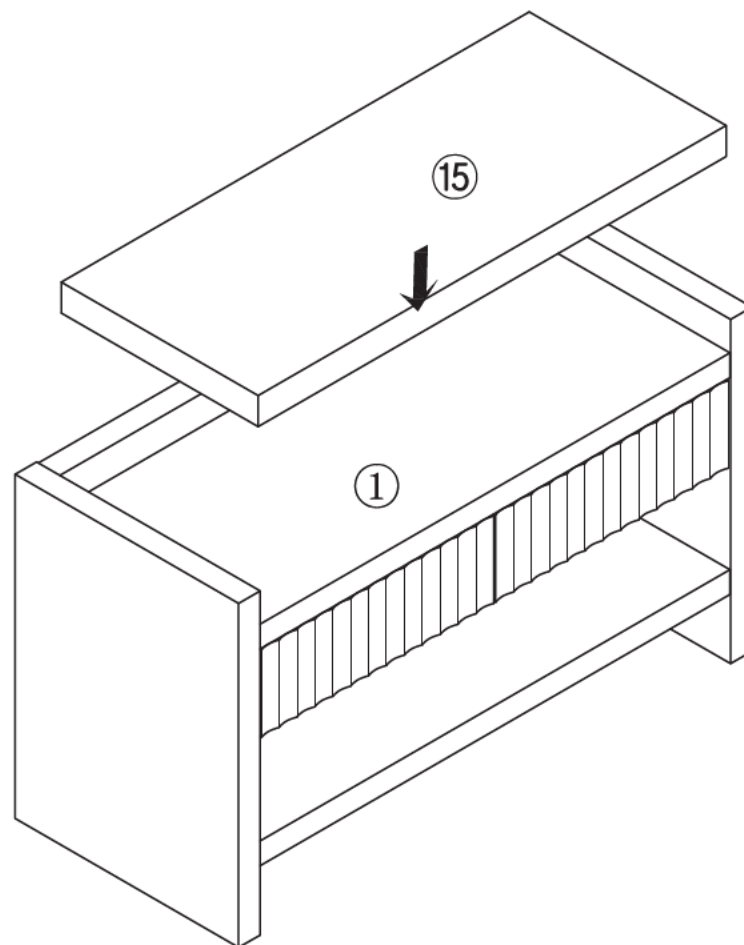
- B** x8
- D** x12
- G** x8
- DL** x2
- DR** x2



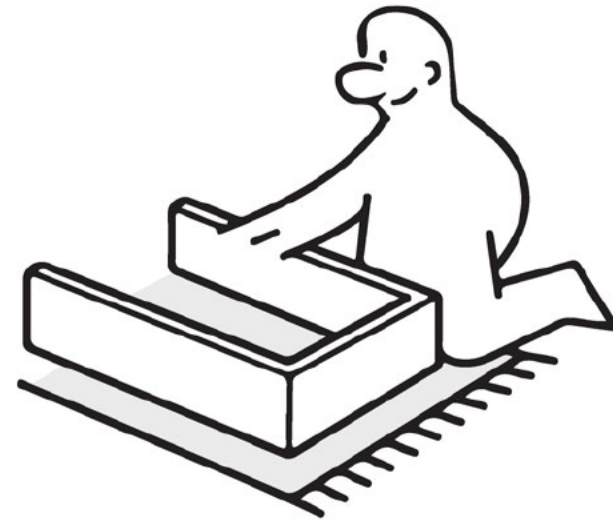
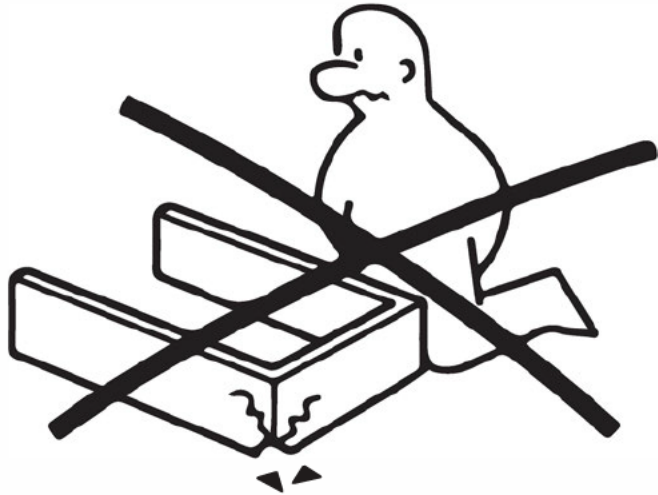
Step 15



Step 16



※ **Stay Scratch-Free: Safeguard Your Furniture by Assembling on Carpet.**



※ **Stuck in Assembly Limbo? Check out our website or contact our support team for quick solutions!**

