

Assembly Instructions

GAZEBO





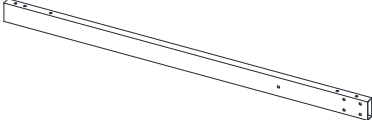
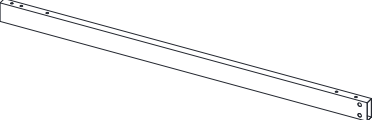
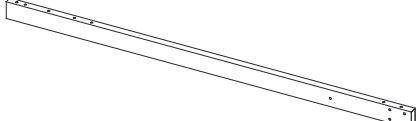
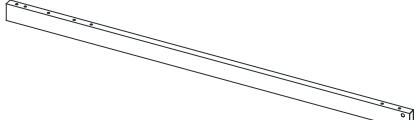

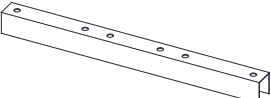
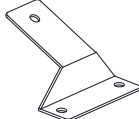
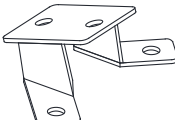
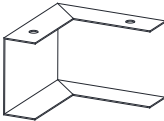
Caution: Please read this before you proceed with assembly.

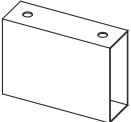
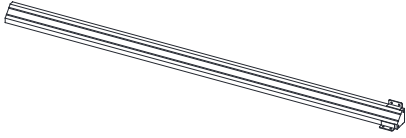







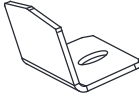



Read all instructions before assembling and using this product



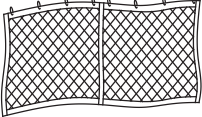
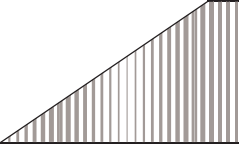
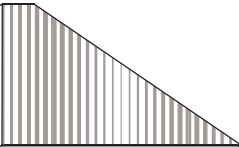
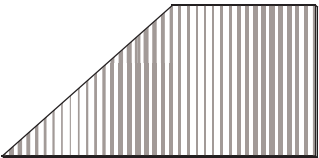
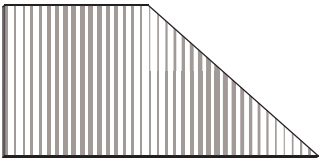
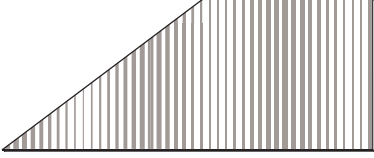
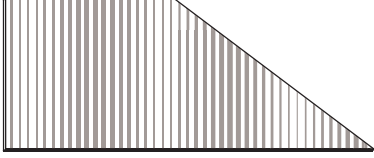
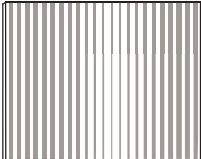
1. Select ideal location. Set out all parts on a clear and level surface prior to assembly. Ideally, the Gazebo should be set up in the desired location to avoid moving it after assembly.
2. Team Work. We recommend 4 adults and it may require 4 hours to fully assemble the Gazebo. If possible, please use safety ladders.
3. Use caution during the entire assembly process, especially when lifting large and heavy items. Also, use all safety precautions when using ladders. Keep children away from the assembly area.
4. Check all available parts. Before assembling the gazebo, check to make sure you have all the parts listed in the Parts List.
5. Important! Before attaching the canopy, make sure ALL BOLTS are tightened securely.
6. During assembly keep children away from the work area and the parts and tools. Once assembled, do not allow children to climb on the gazebo.
7. It is recommended that the Mosquito Netting be removed during strong winds, stormy and snowy conditions, and remove the accumulated snow in roof.
8. Do not set this gazebo up near electric lines, trees or slanted roofs. Use safety precautions at all times.





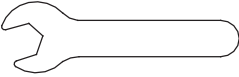

Any questions on assembly or parts, please contact: service@lcpatio.com

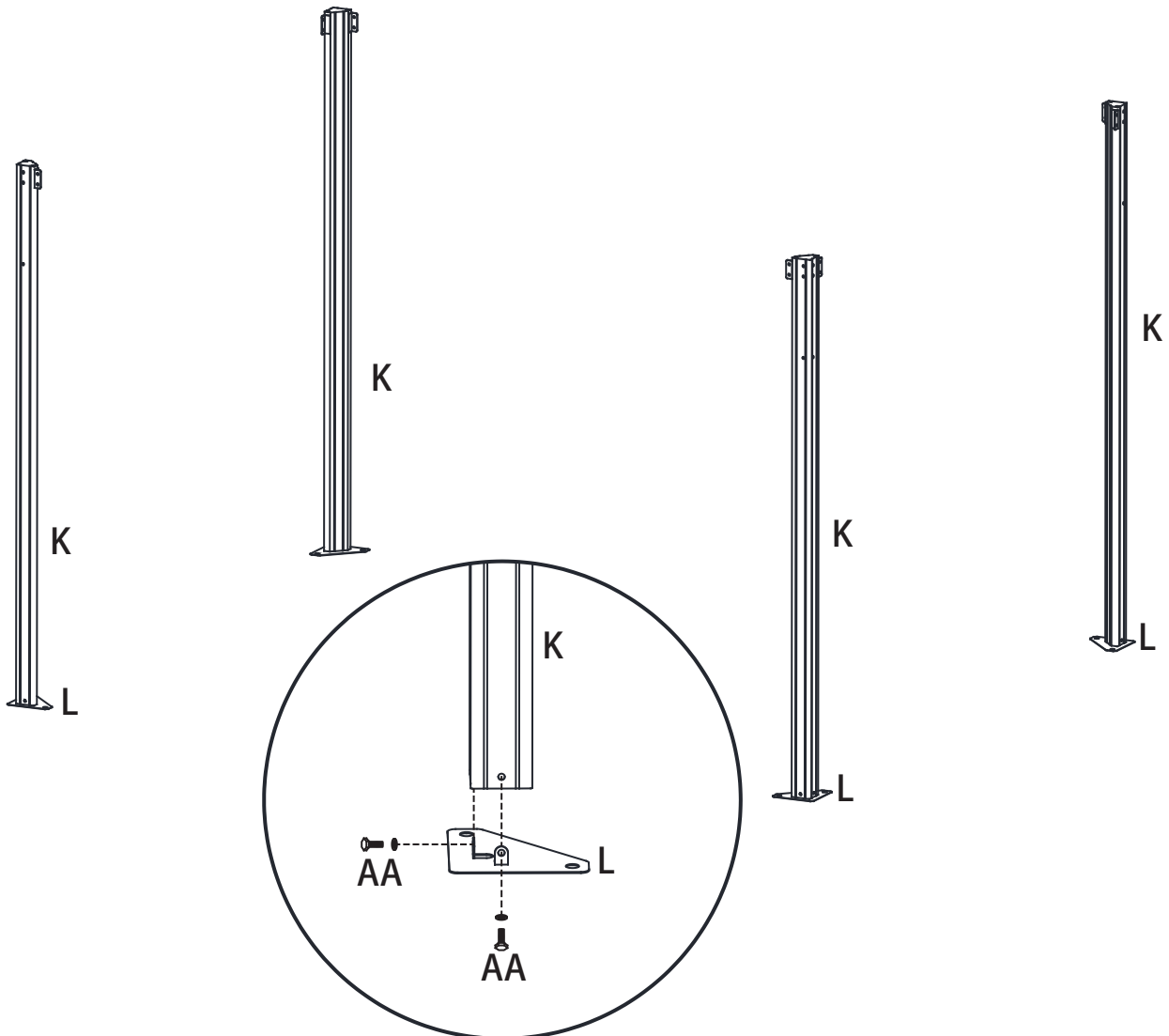


ITEM	DESCRIPTION	QTY.	ILLUSTRATION
A	Upper Central Connector	1	
A1	Lower Central Connector	1	
B	Long Top Bar	4	
B1	Short Top Bar	6	
C	Left Lintel	2	
C1	Right Lintel	2	
D	Left Lintel	2	
D1	Right Lintel	2	
E	Bracing Tube	8	
F	Connector	8	
G	Connector	6	
H	Connector	4	
I	Corner Protector	4	

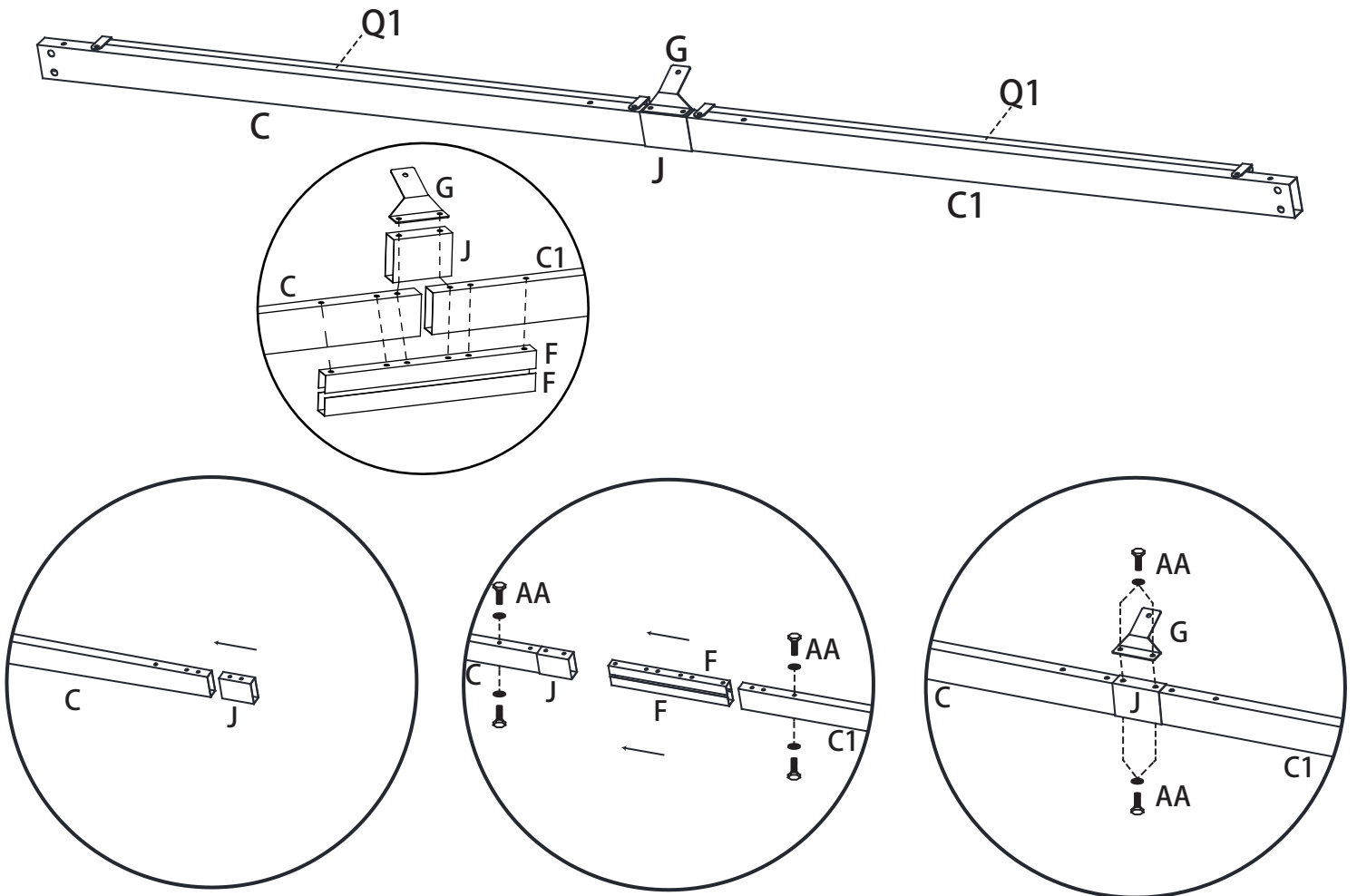
ITEM	DESCRIPTION	QTY.	ILLUSTRATION
J	Shroud	4	
K	Post	4	
L	Base Plate	4	
M1	Support Plate	4	
M2	Support Plate	4	
M3	Support Plate	4	
M4	Support Plate	4	
M5	Support Plate	4	
N	Corner Protector	4	
O	Corner Protector	6	
P1	Seal Edge	4	
P2	Seal Edge	2	
P3	Seal Edge	4	

ITEM	DESCRIPTION	QTY.	ILLUSTRATION
Q1	Short Mosquito net rod	4	
Q2	Long Mosquito net rod	4	
R	Mosquito net	4	
(1)	#1 PC roof board	4	
(2)	#2 PC roof board	4	
(3)	#3 PC roof board	4	
(4)	#4 PC roof board	4	
(5)	#5 PC roof board	4	
(6)	#6 PC roof board	4	
(7)	#7 PC roof board	6	

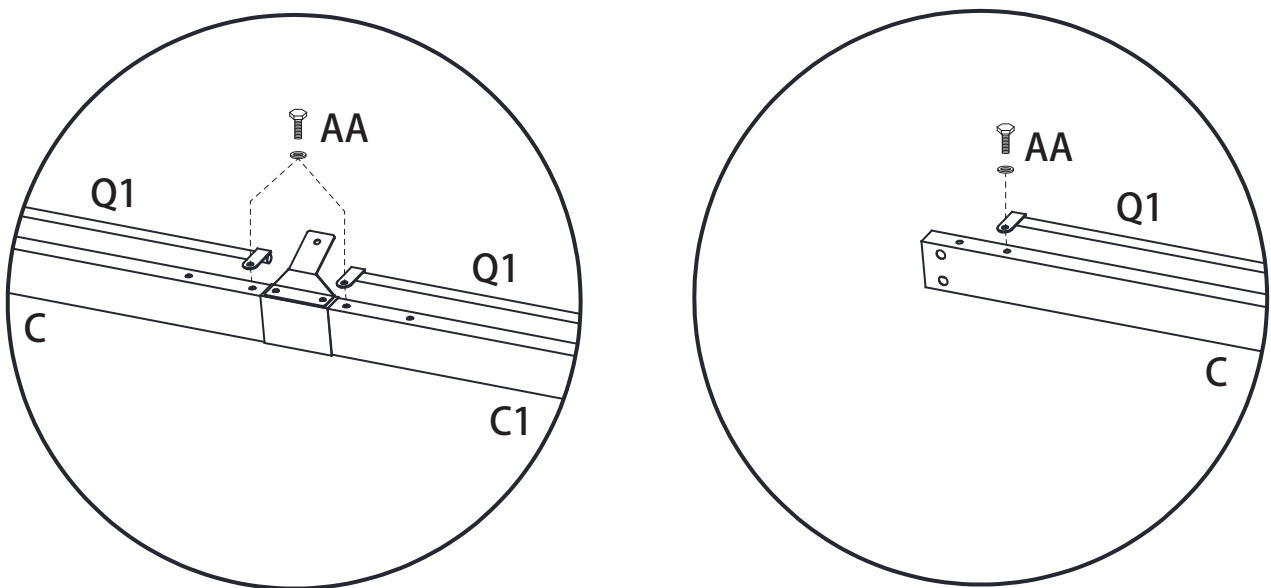
ITEM	DESCRIPTION	QTY.	ILLUSTRATION
AA	Bolt \ Flat Washer M6*15mm	159	
DD	Bolt M6*15mm	16	
EE	Hook	44	
FF	Stake	8	
GG	Wrench	1	
HH	Allen Wrench	1	



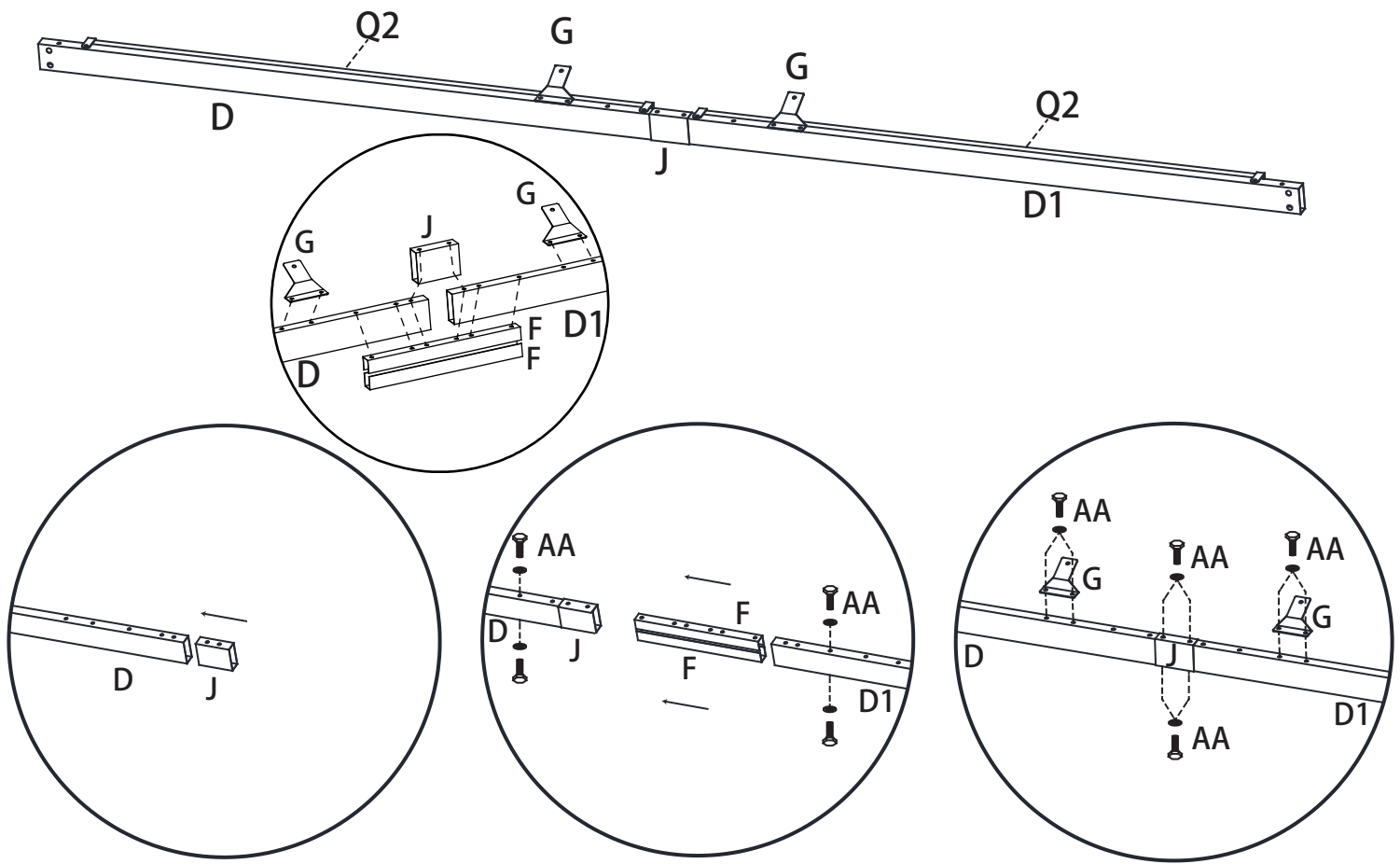
1. Connect the Base Plate (L) to the Post (K) by bolt (AA).



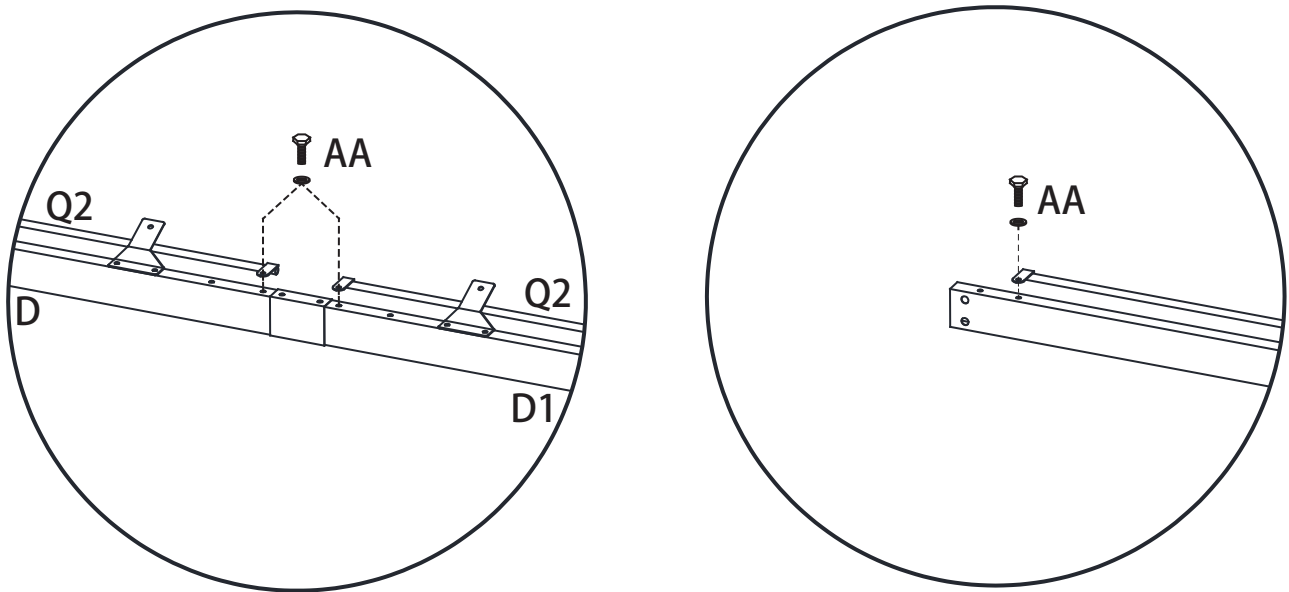
2. Put the Shroud (J) next to the Left Lintel (C), insert the Left Lintel (C) into the shroud (J). Then insert the Connector (F) into the lintels (C/C1) and the shroud (J), make sure the holes are aligned. Then have them secured by bolt (AA); secure the Connector (G) and the Shroud (J) by bolt (AA).



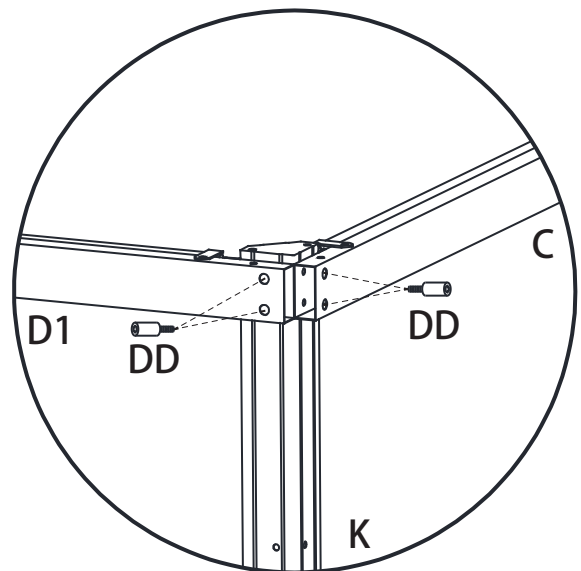
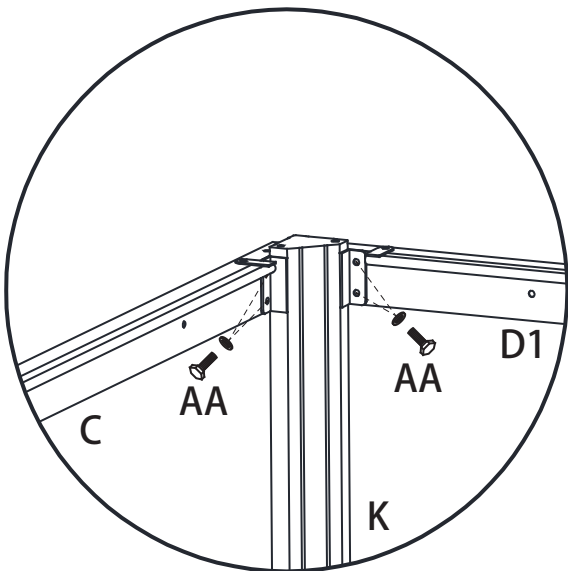
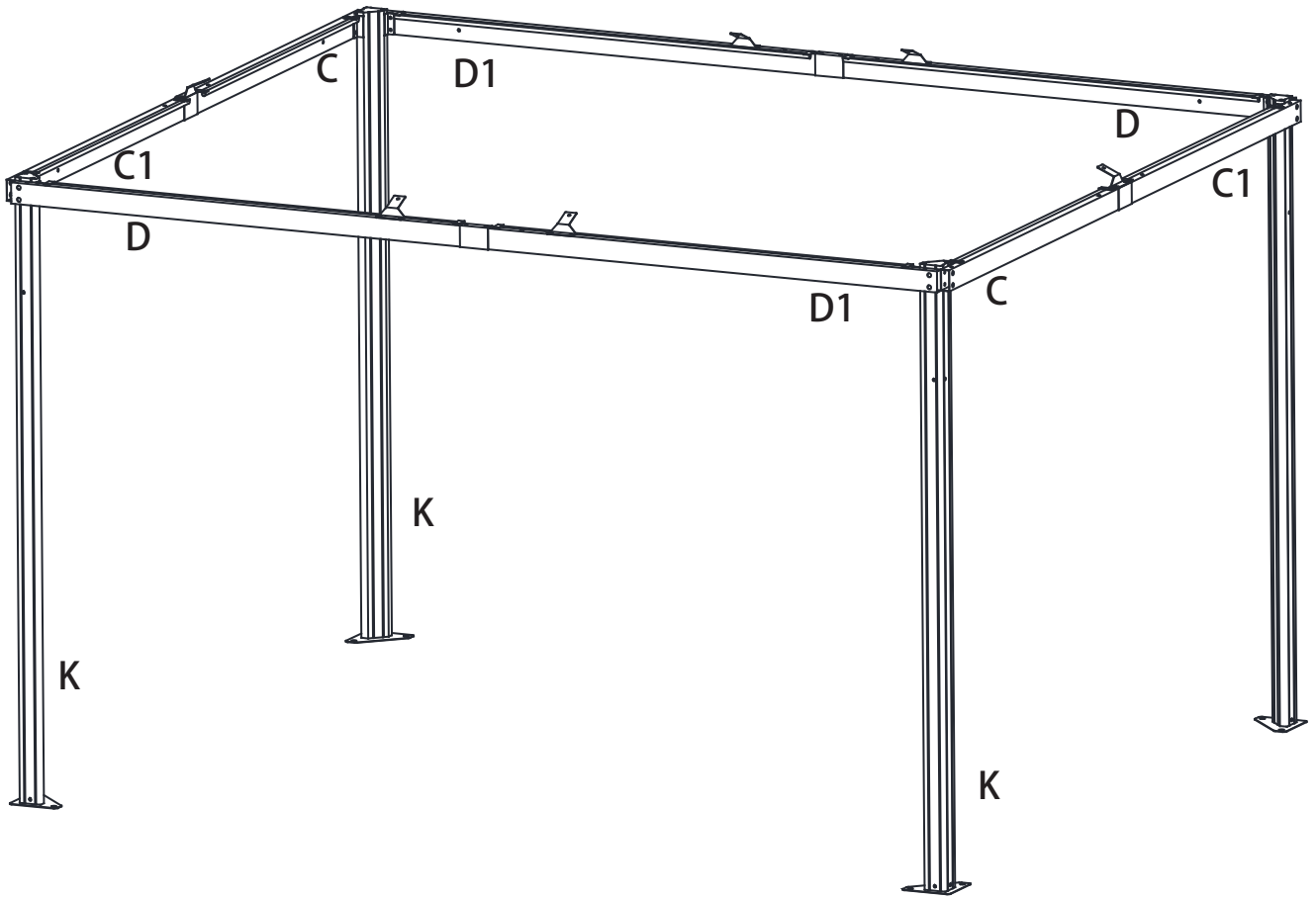
3. Secure the Mosquito net rod (Q1) by bolt (AA).



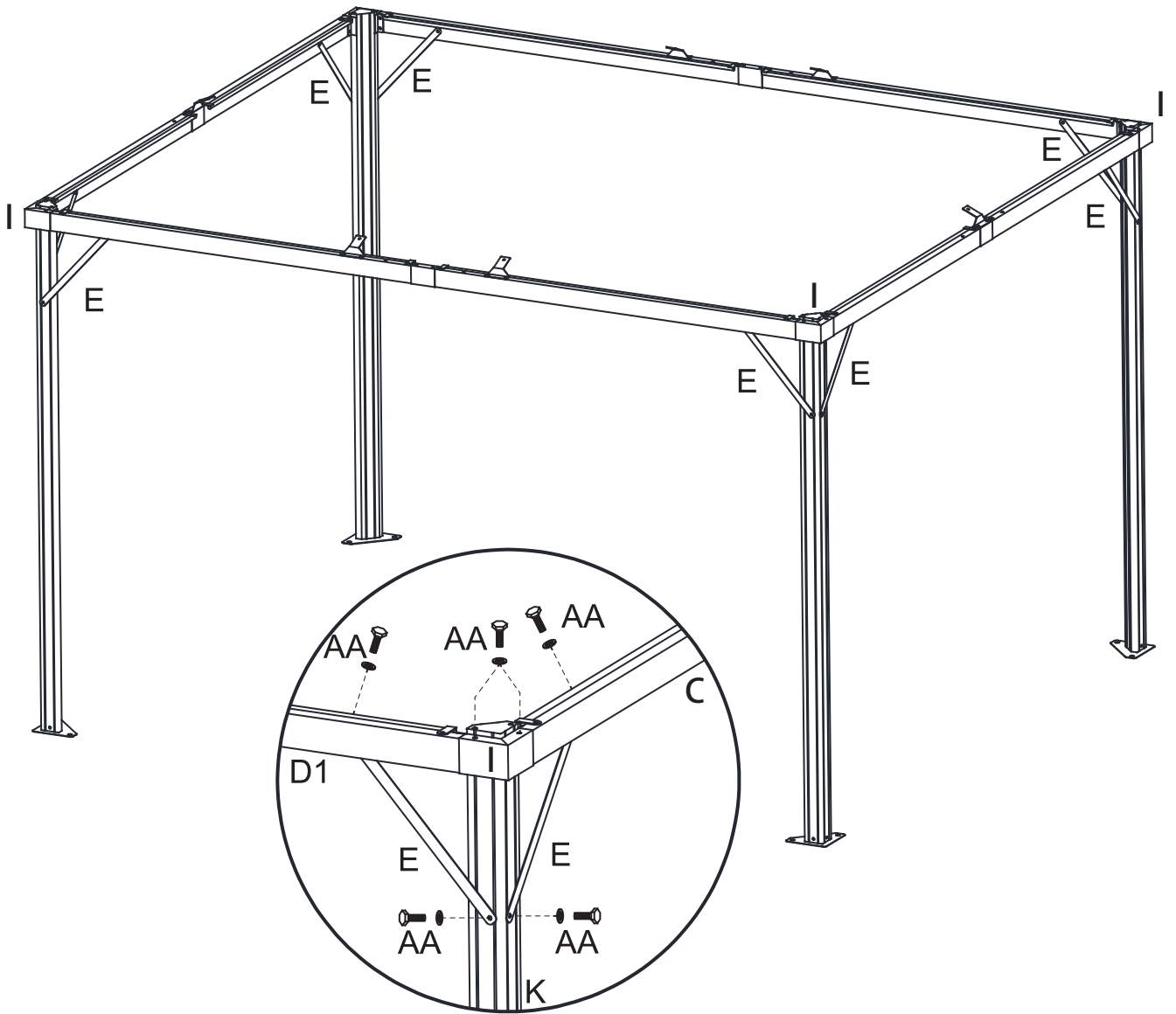
4. Put the Shroud (J) next to the Left Lintel (D), insert the Left Lintel (D) into the shroud (J). Then insert the Connector (F) into the lintels (D/D1) and the shroud (J), make sure the holes are aligned. Then have them secured by bolt (AA); secure the Connector (G) and the lintels (D/D1) by bolt (AA).



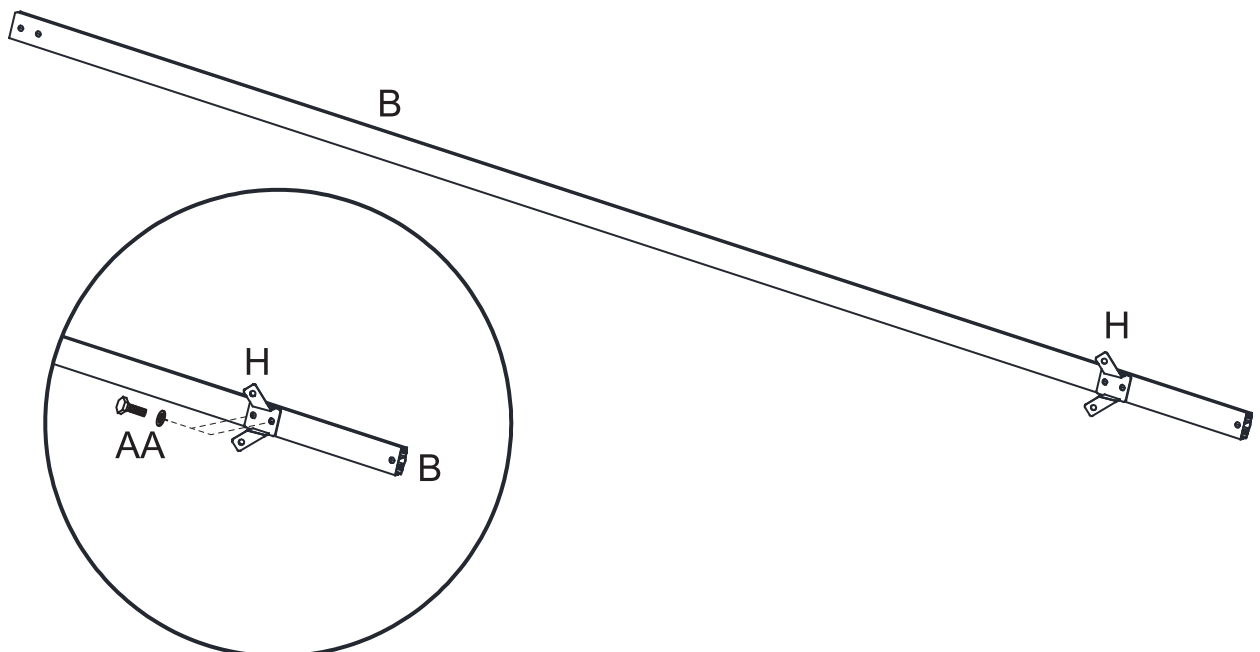
5. Secure the Mosquito net rod (Q2) by bolt (AA).



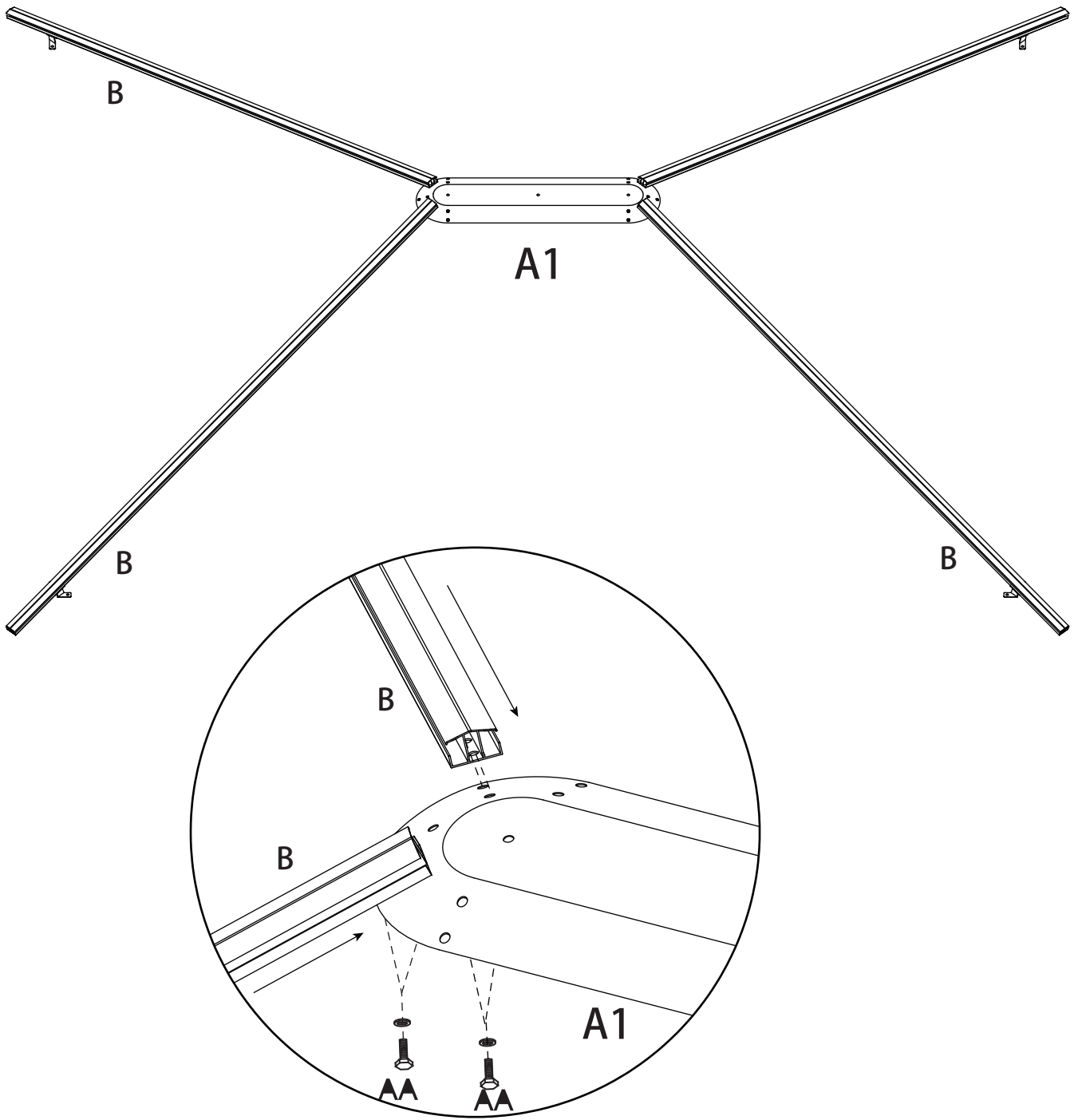
6. Connect the lintels (C,D1) and the Posts (K) by bolts (AA/DD).
 Connect the lintels (C1,D) and the Posts (K) by bolts (AA/DD).



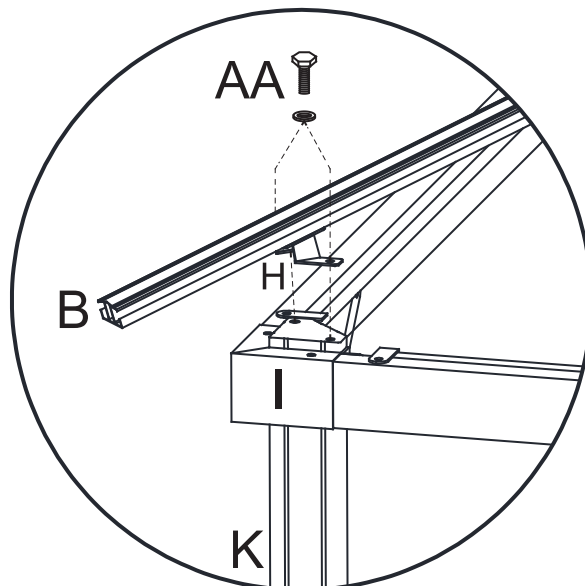
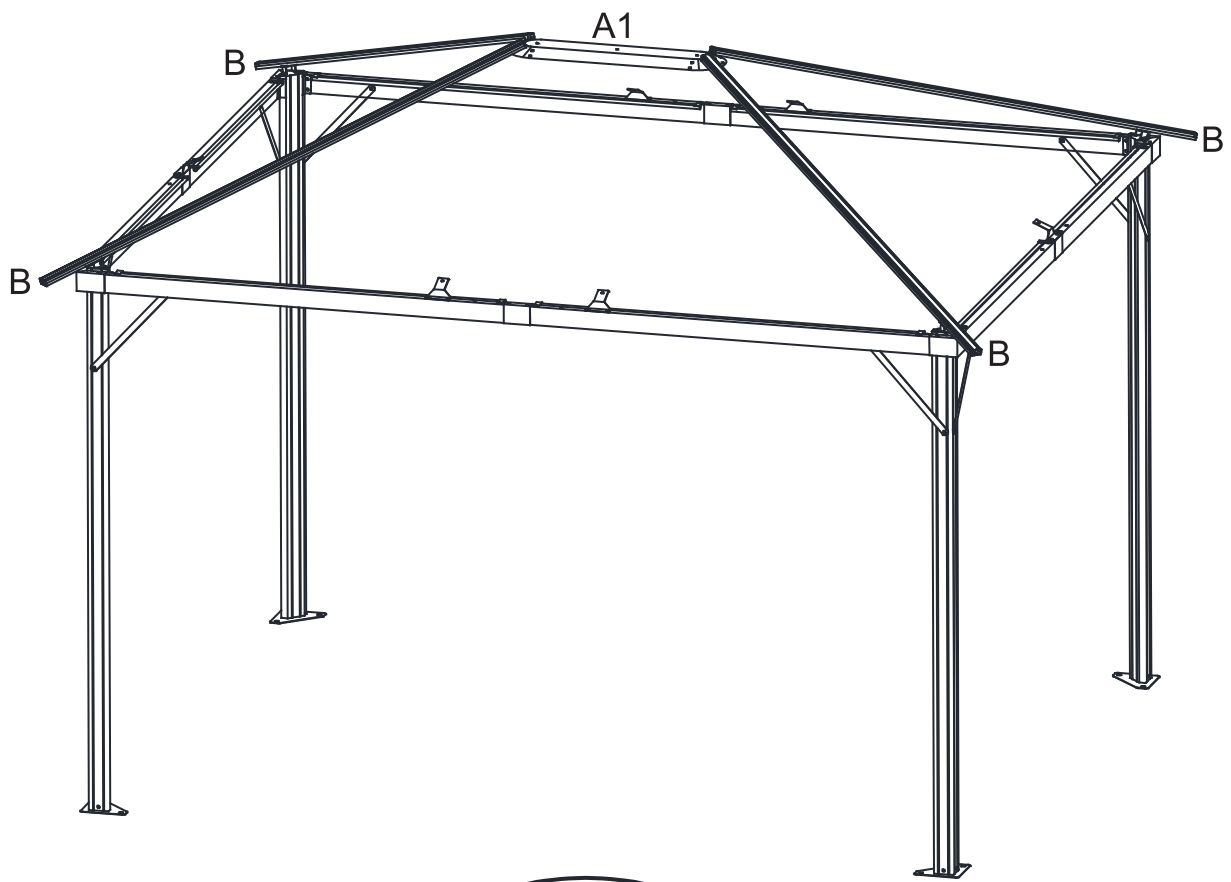
7. Secure the Corner Protector (I) onto the lintels by bolt (AA), connect the Bracing Tube (E) with the Post (K) and the Lintels (C/C1,D/D1) by bolt (AA).



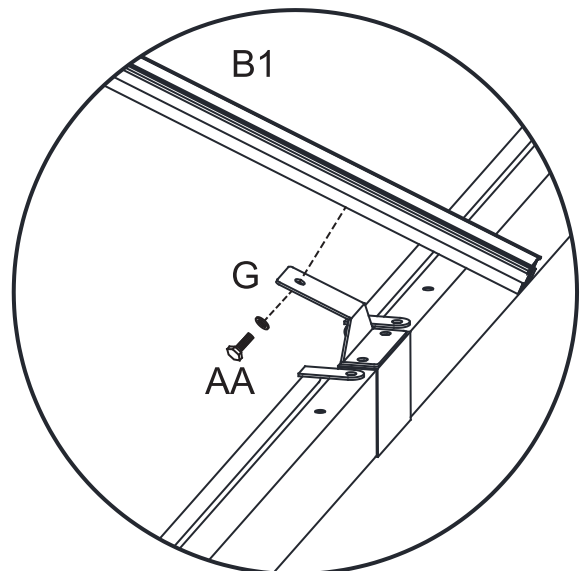
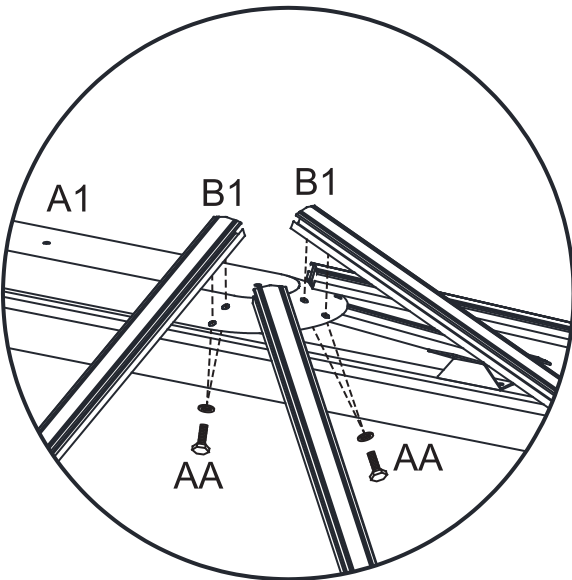
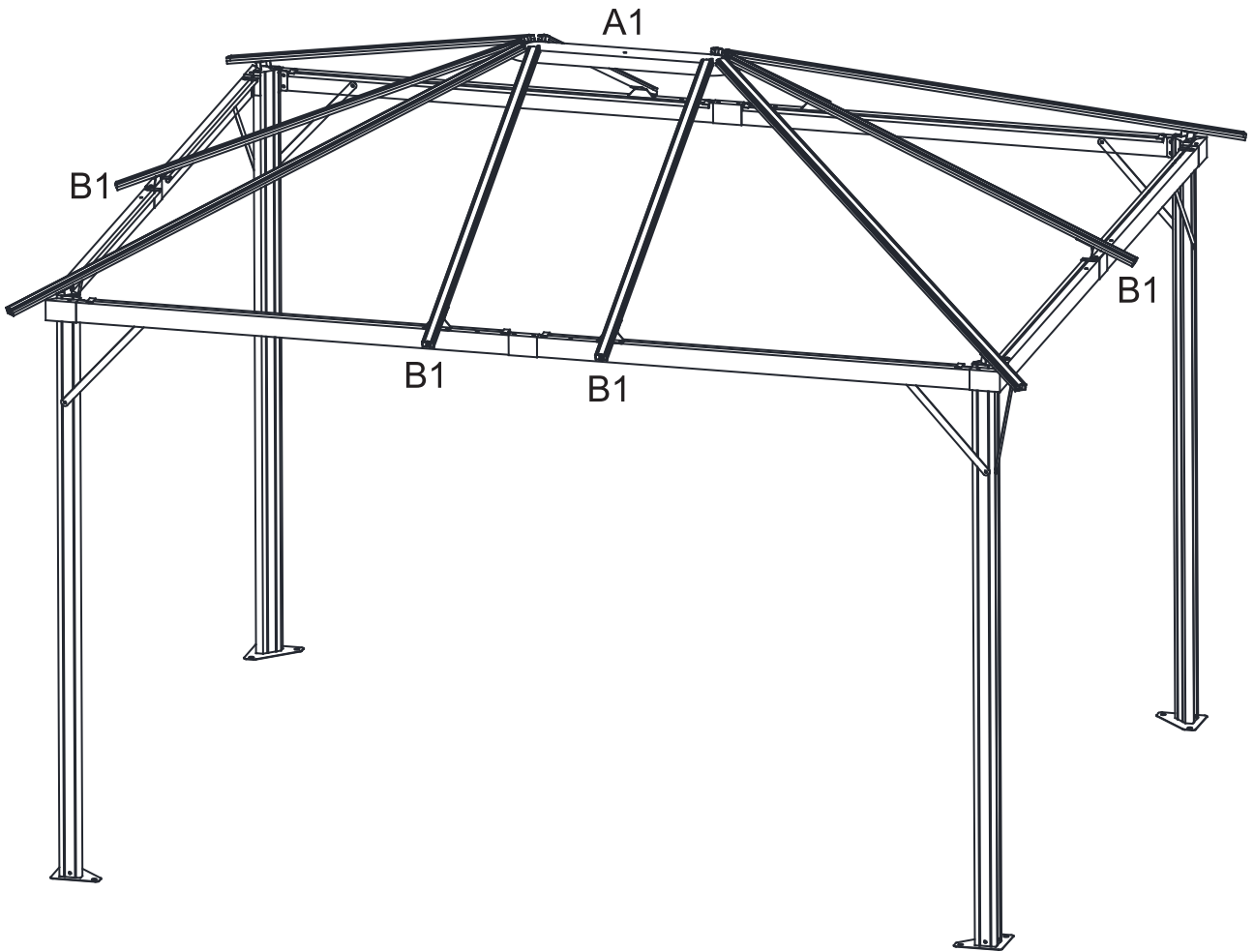
8. Connect the Connector (H) to the Long Top Bar (B) by bolt (AA).



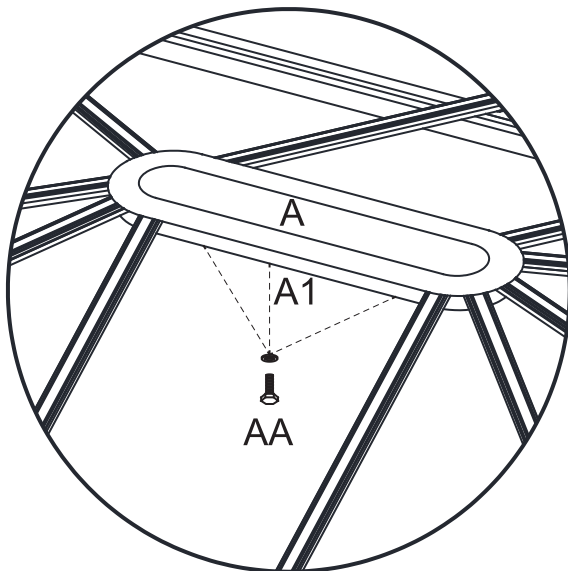
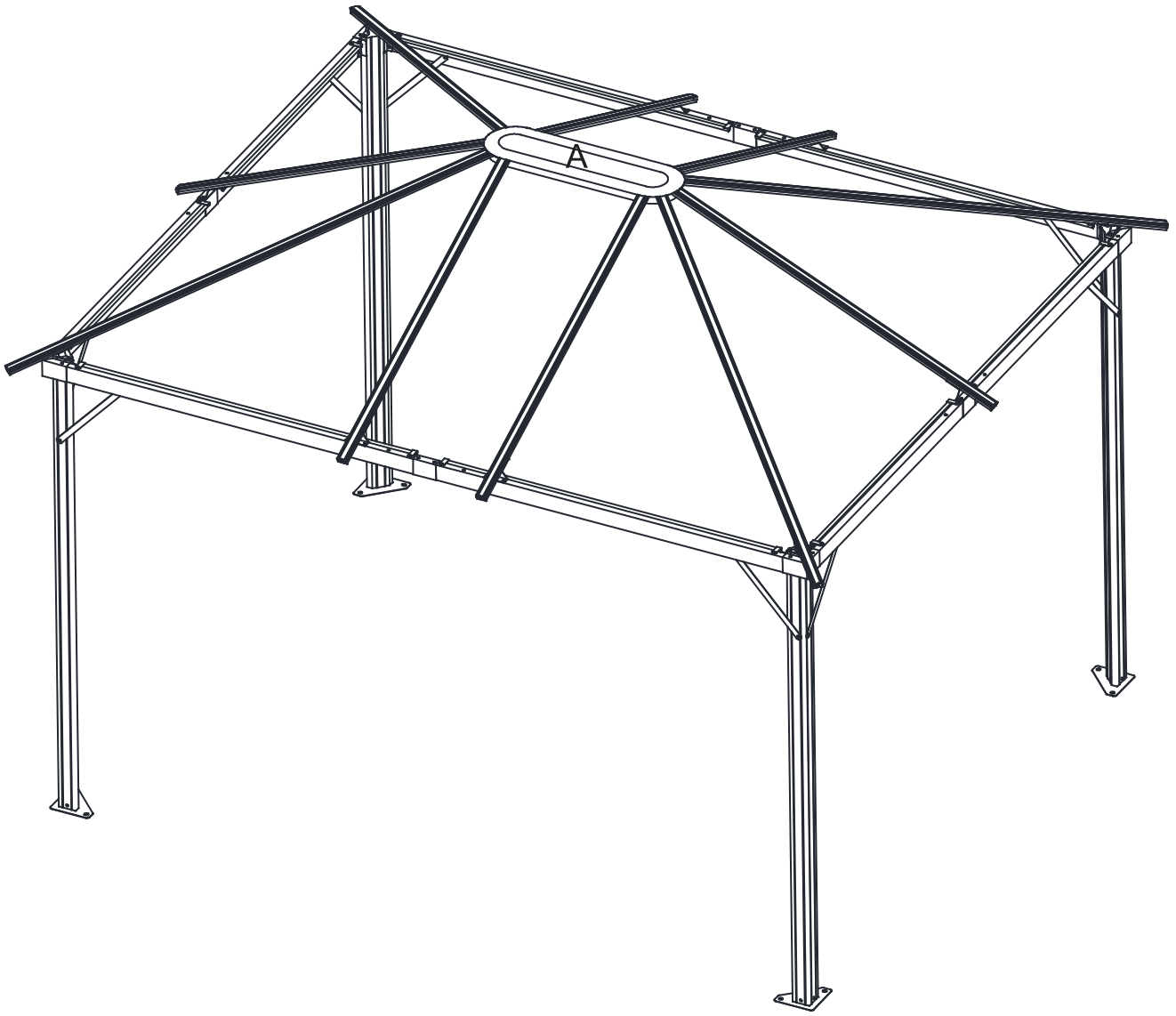
9. Connect the Long Top Bar (B) with the Lower Central Connector (A1) by bolt (AA)



10. Connect the Connector on the Long Top Bar (B) with the Post (K) by bolt (AA).

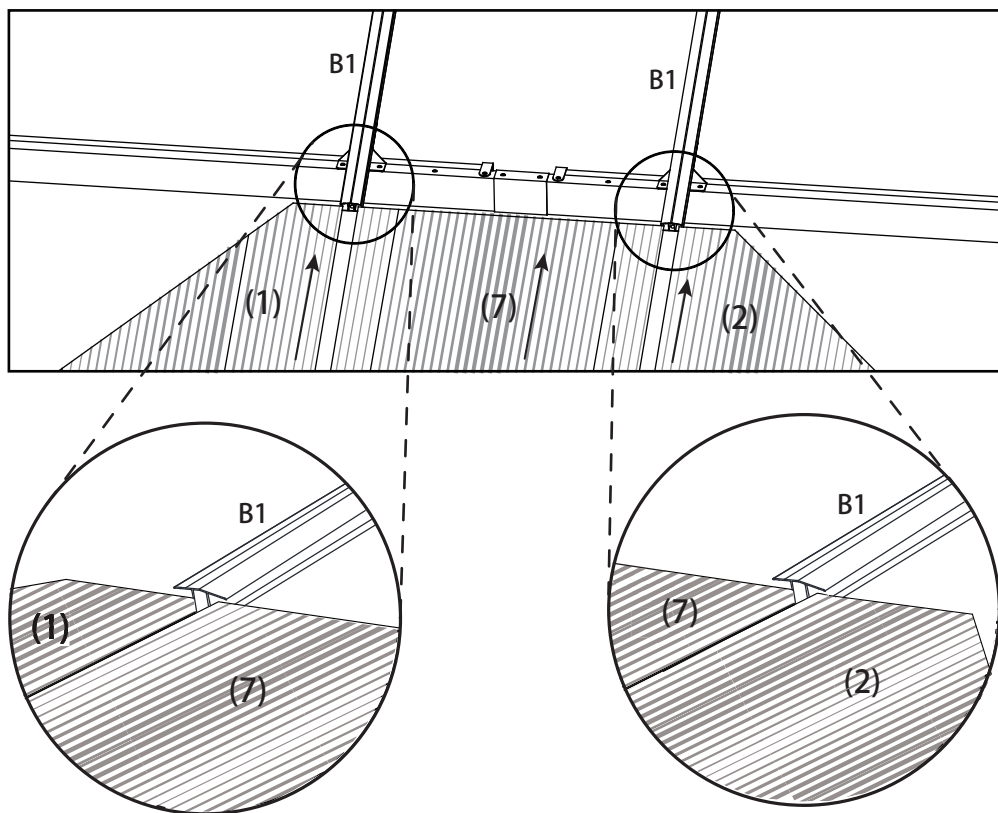
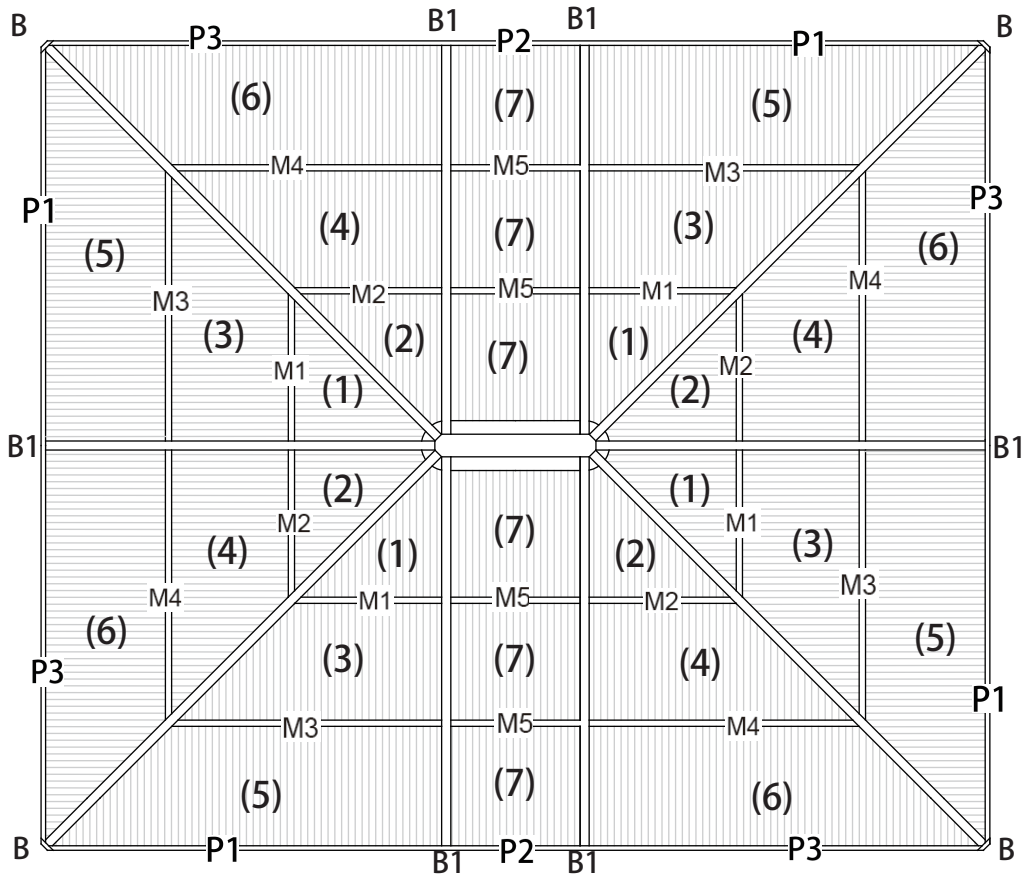


11. Connect the Short Top Bar (B1) with the Lower Central Connector (A1) by bolt (AA), connect the Short Top Bar (B1) with the Connector (G) by bolt (AA).

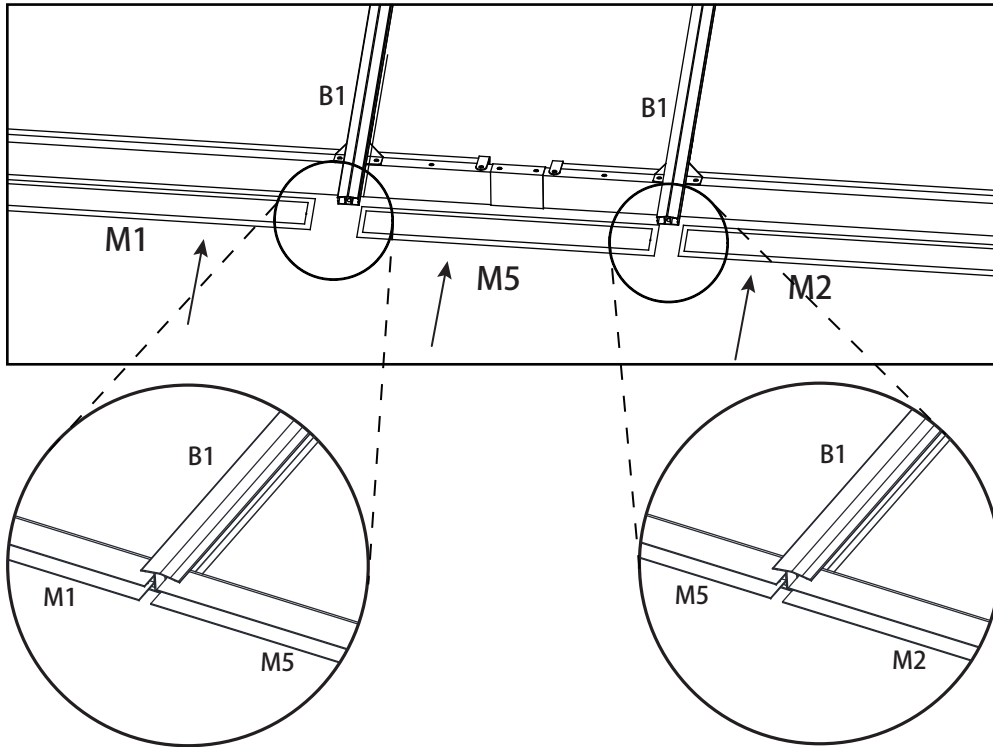


12. Connect the Upper Central Connector (A) with the Lower Central Connector (A1) by bolt (AA).

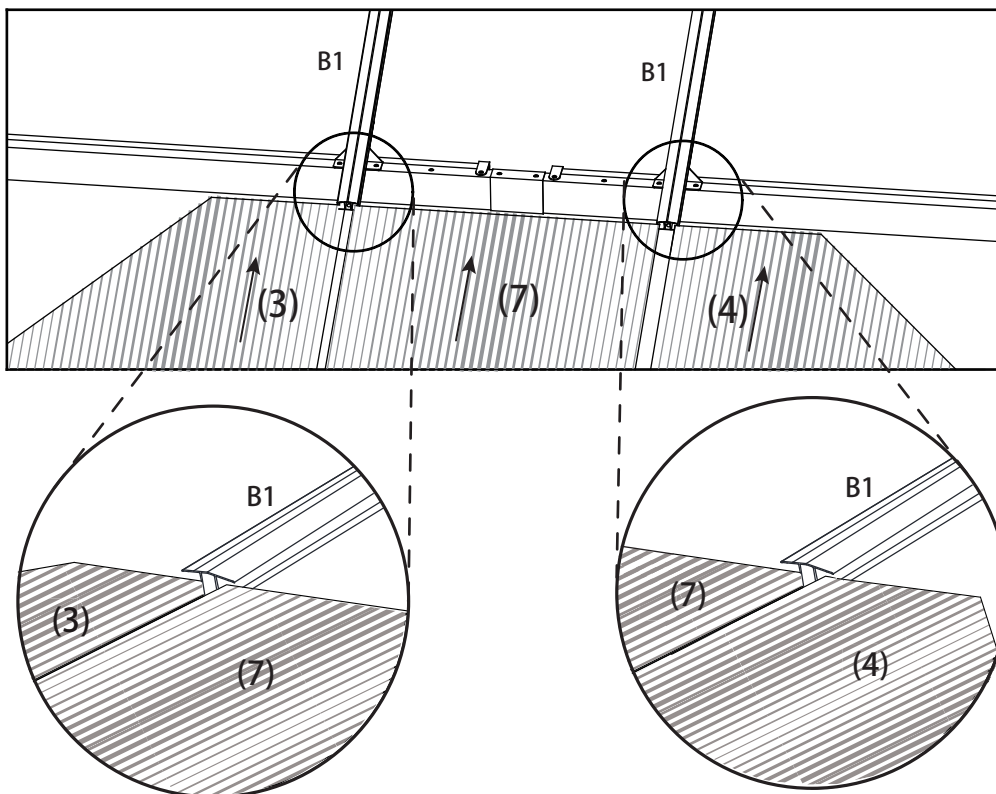
Note: The side of PC roof board stuck with label of facing the sun upward



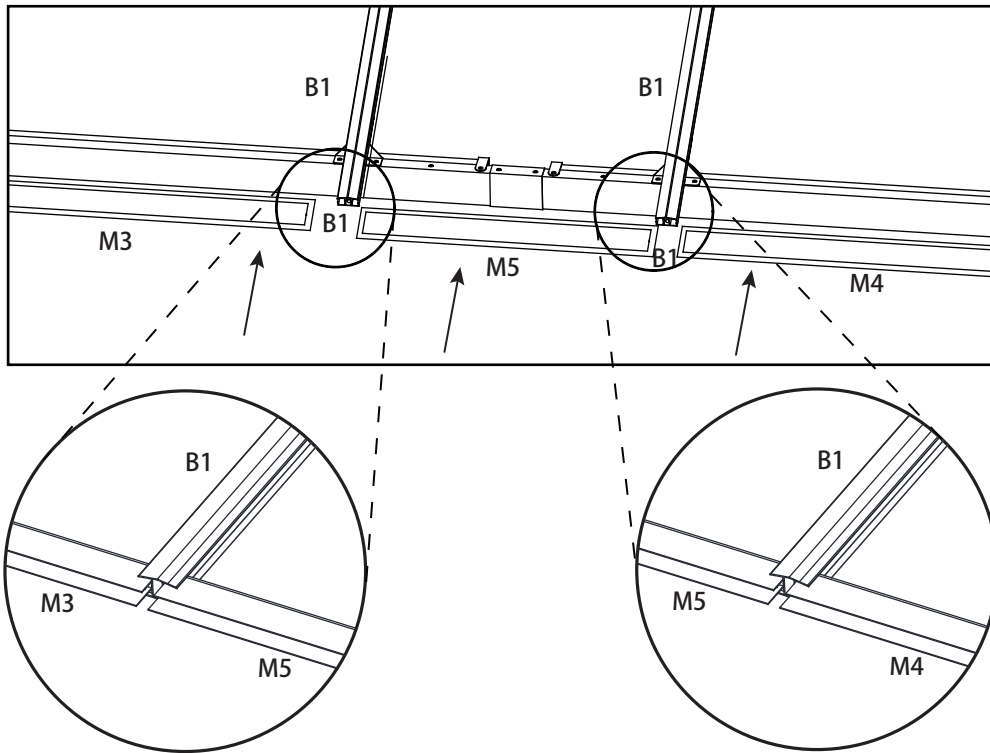
13. Have the #1, #7 and #2 PC roof board slid into the track alongside the Short Top Bar (B1).



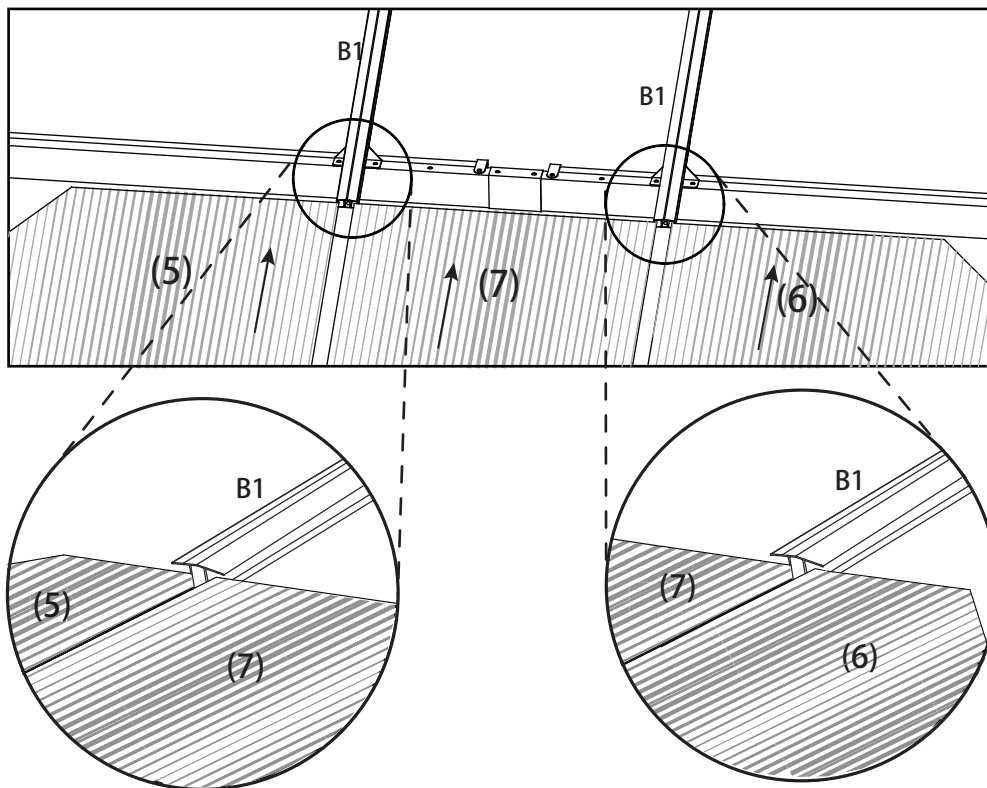
14. Have the M1 Support Plate slid into the track alongside the Short Top Bar (B1), then insert the #1 PC roof board into it.
 Have the M5 Support Plate slid into the track alongside the Short Top Bar (B1), then insert the #7 PC roof board into it.
 Have the M2 Support Plate slid into the track alongside the Short Top Bar (B1), then insert the #2 PC roof board into it.



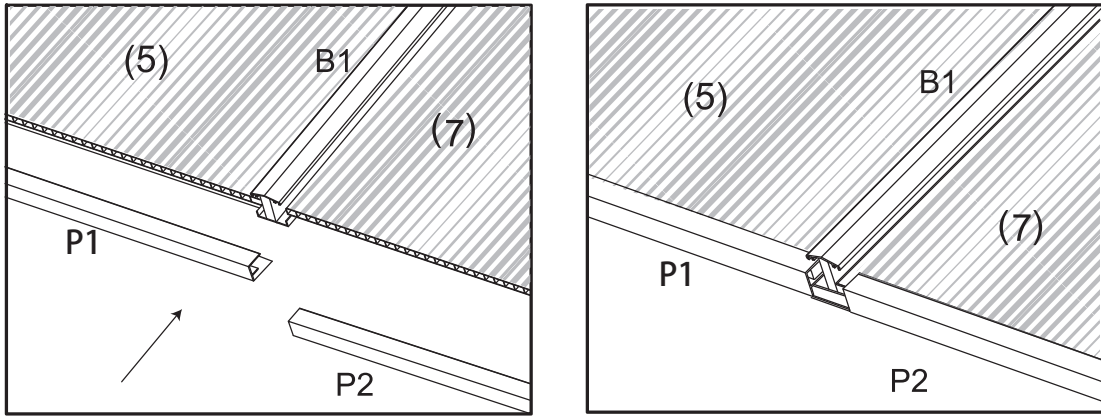
15. Have the #3 PC roof board slid into the track alongside the Short Top Bar (B1), then insert it into M1 Support Plate.
 Have the #7 PC roof board slid into the track alongside the Short Top Bar (B1), then insert it into M5 Support Plate.
 Have the #4 PC roof board slid into the track alongside the Short Top Bar (B1), then insert it into M2 Support Plate.



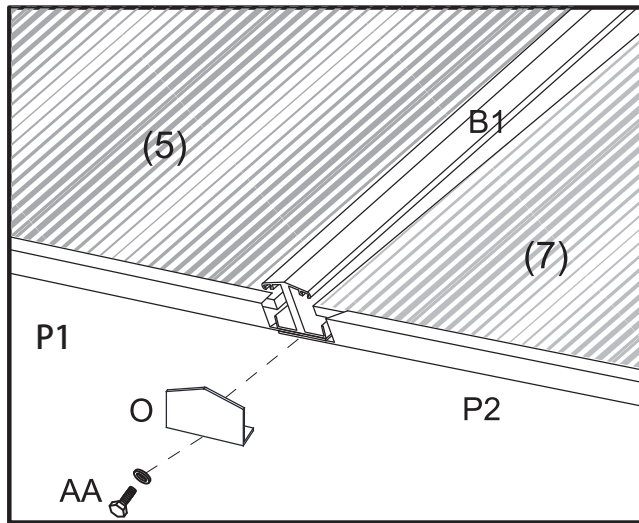
16. Have the M3 Support Plate slid into the track alongside the Short Top Bar (B1), then insert the #3 PC roof board into it.
 Have the M5 Support Plate slid into the track alongside the Short Top Bar (B1), then insert the #7 PC roof board into it.
 Have the M4 Support Plate slid into the track alongside the Short Top Bar (B1), then insert the #4 PC roof board into it.



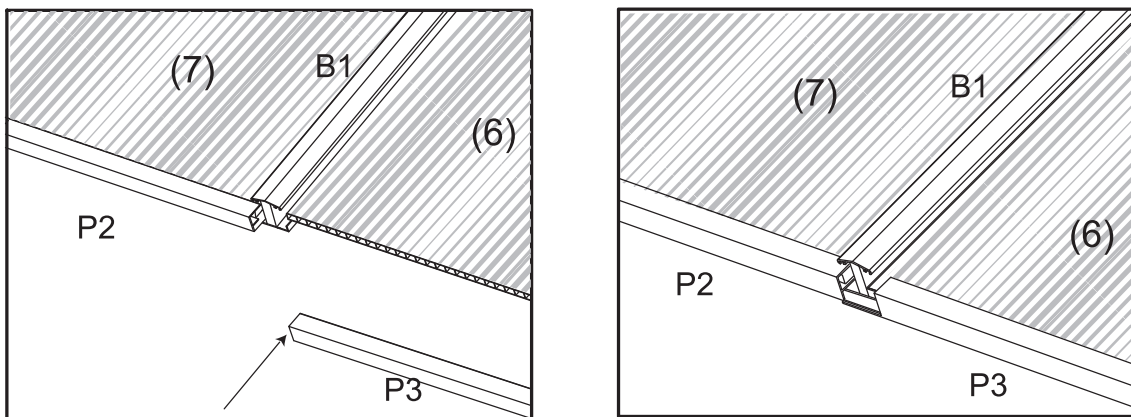
17. Have the #5 PC roof board slid into the track alongside the Short Top Bar (B1), then insert it into M3 Support Plate.
 Have the #7 PC roof board slid into the track alongside the Short Top Bar (B1), then insert it into M5 Support Plate.
 Have the #6 PC roof board slid into the track alongside the Short Top Bar (B1), then insert it into M4 Support Plate.



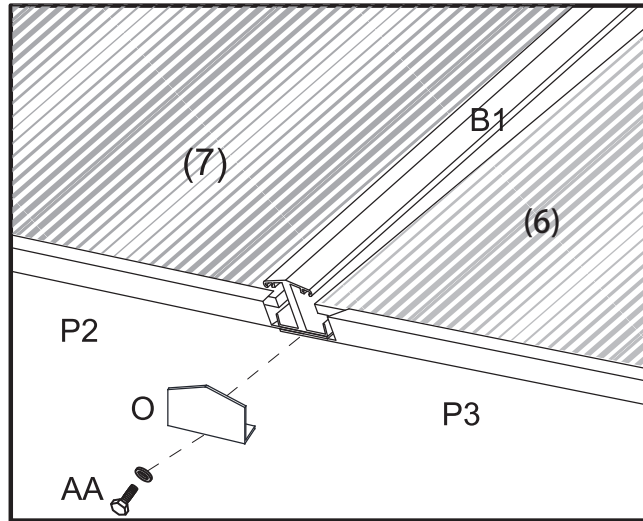
18. Insert the Seal Edge (P1) into the #5 PC roof board.
 Insert the Seal Edge (P2) into the #7 PC roof board.



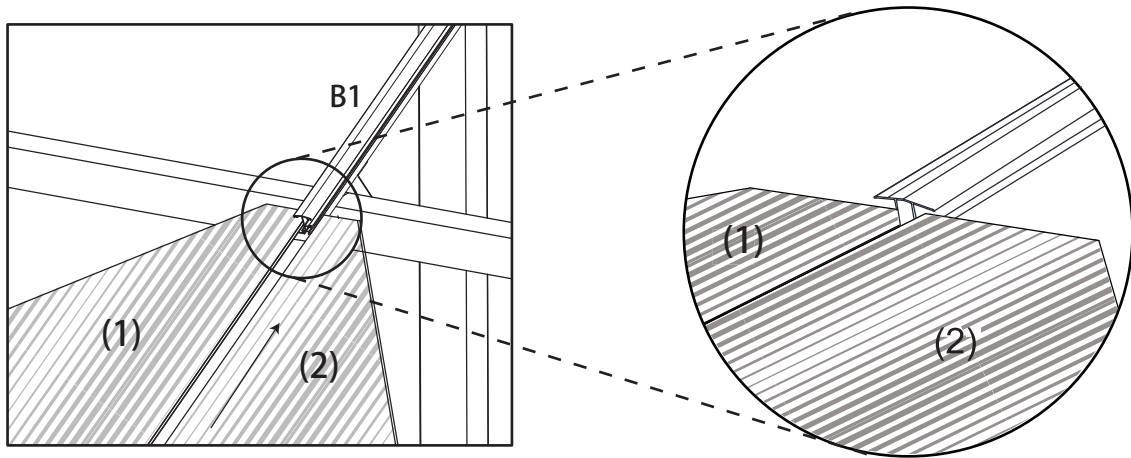
19. Secure the Corner Connector (O) with the Short Top Bar (B1) by bolt (AA).



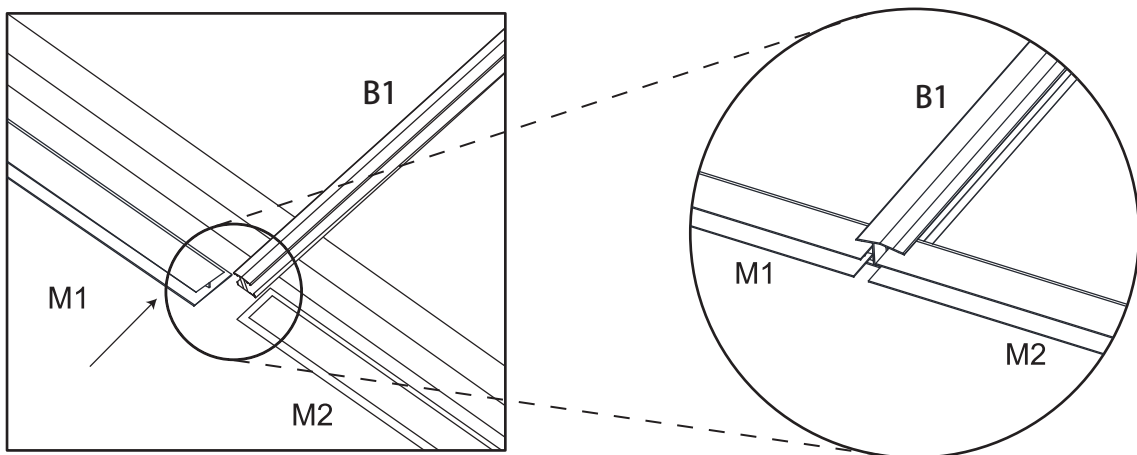
20. Insert the Seal Edge (P3) into the #6 PC roof board separately.



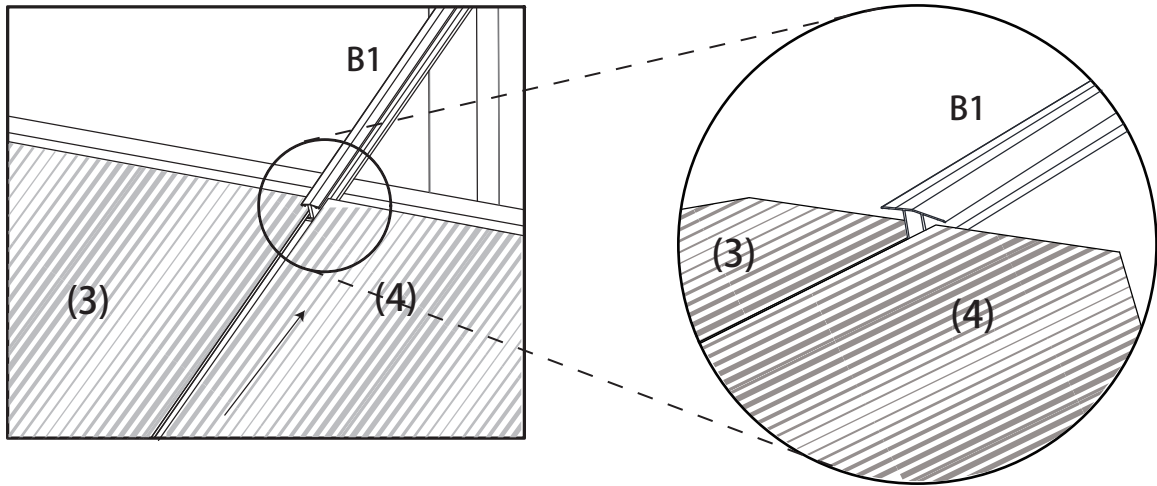
21. Secure the Corner Connector (O) with the Short Top Bar (B1) by bolt (AA).



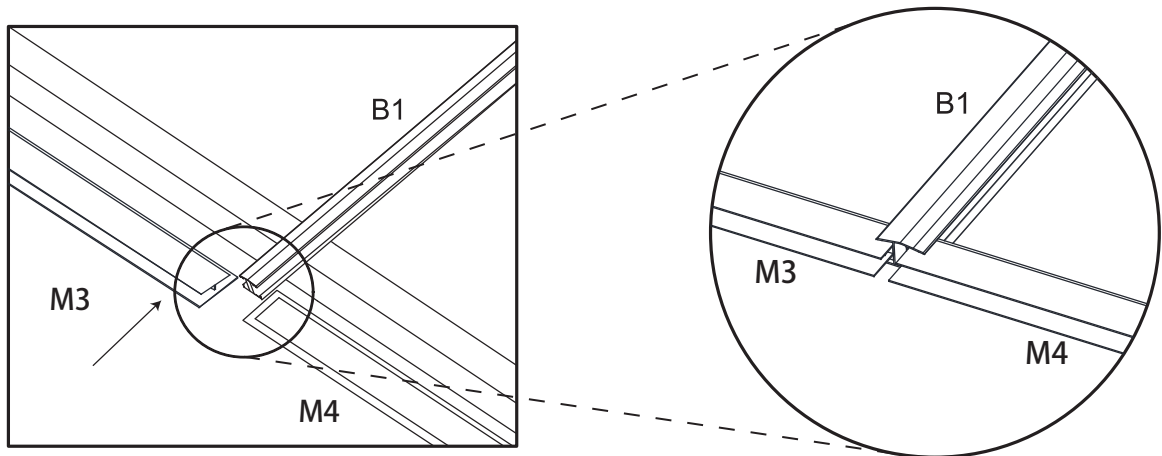
22. Have the #1 and #2 PC roof board slid into the track alongside the Short Top Bar (B1).



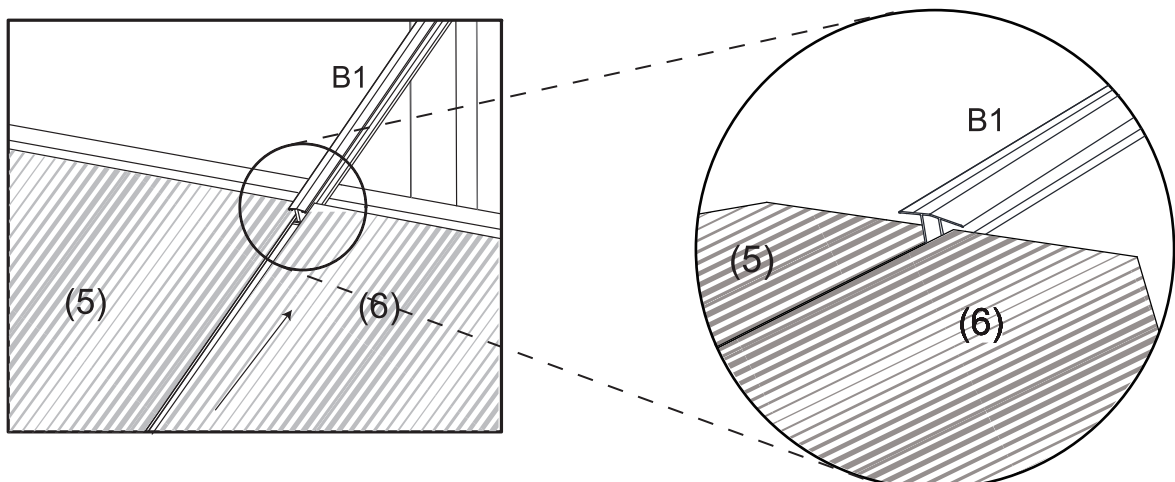
23. Have the M1 Support Plate slid into the track alongside the Short Top Bar (B1), then insert the #1 PC roof board into it. Have the M2 Support Plate slid into the track alongside the Short Top Bar (B1), then insert the #2 PC roof board into it.



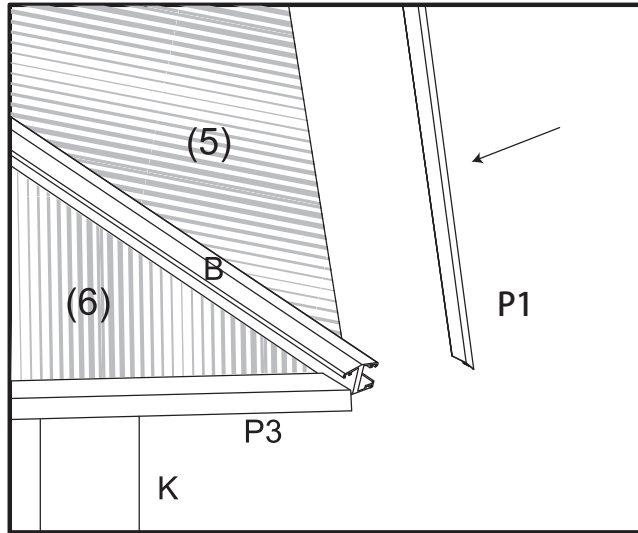
24. Have the #3 PC roof board slid into the track alongside the Short Top Bar (B1), then insert it into M1 Support Plate. Have the #4 PC roof board slid into the track alongside the Short Top Bar (B1), then insert it into M2 Support Plate.



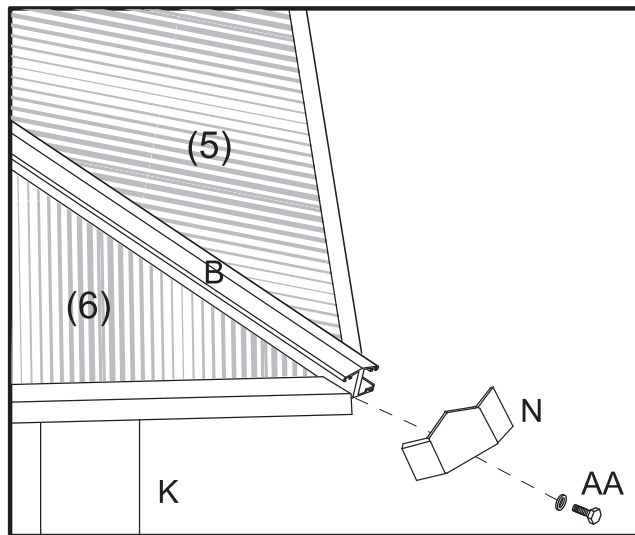
25. Have the M3 Support Plate slid into the track alongside the Short Top Bar (B1), then insert the #3 PC roof board into it. Have the M4 Support Plate slid into the track alongside the Short Top Bar (B1), then insert the #4 PC roof board into it.



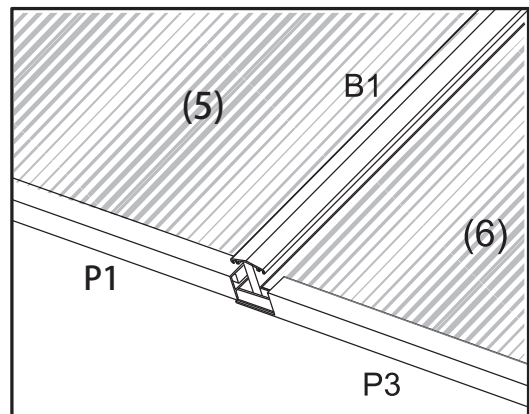
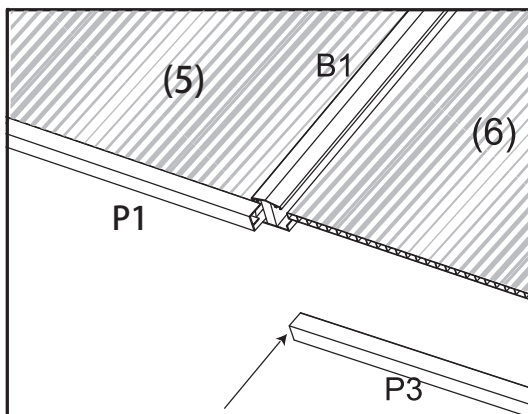
26. Have the #5 PC roof board slid into the track alongside the Short Top Bar (B1), then insert it into M3 Support Plate. Have the #6 PC roof board slid into the track alongside the Short Top Bar (B1), then insert it into M4 Support Plate.



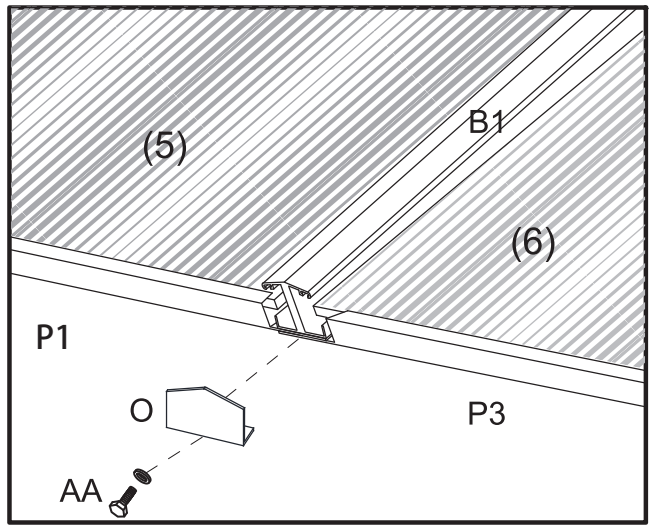
27. Insert the Seal Edge (P1) into the #5 PC roof board separately.



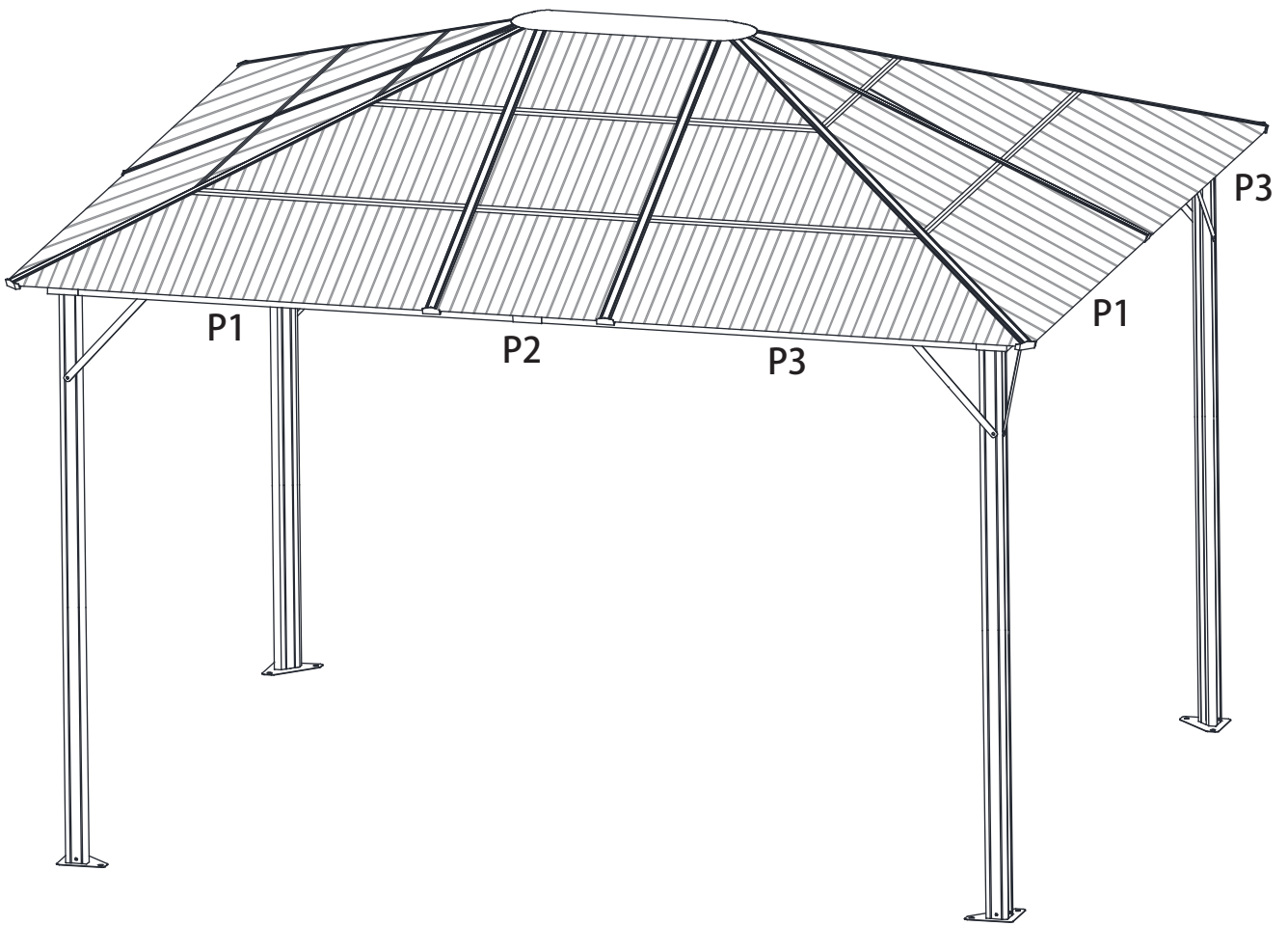
28. Secure the Corner Connector (N) with the Short Top Bar (B1) by bolt (AA).

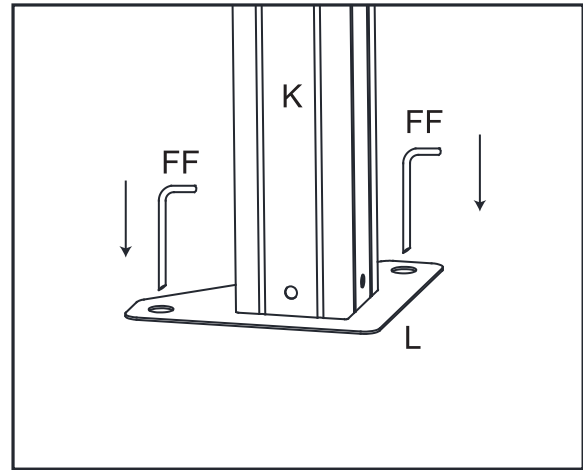
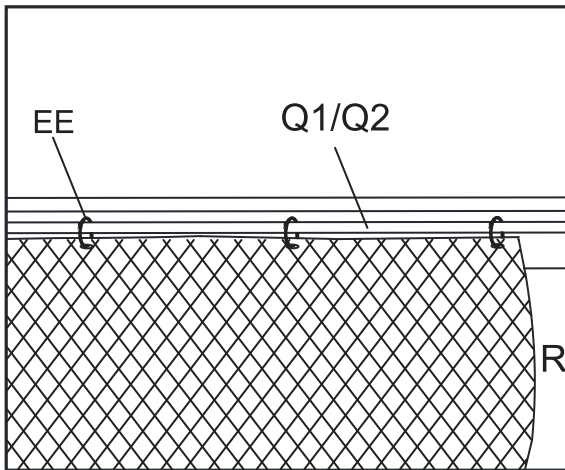
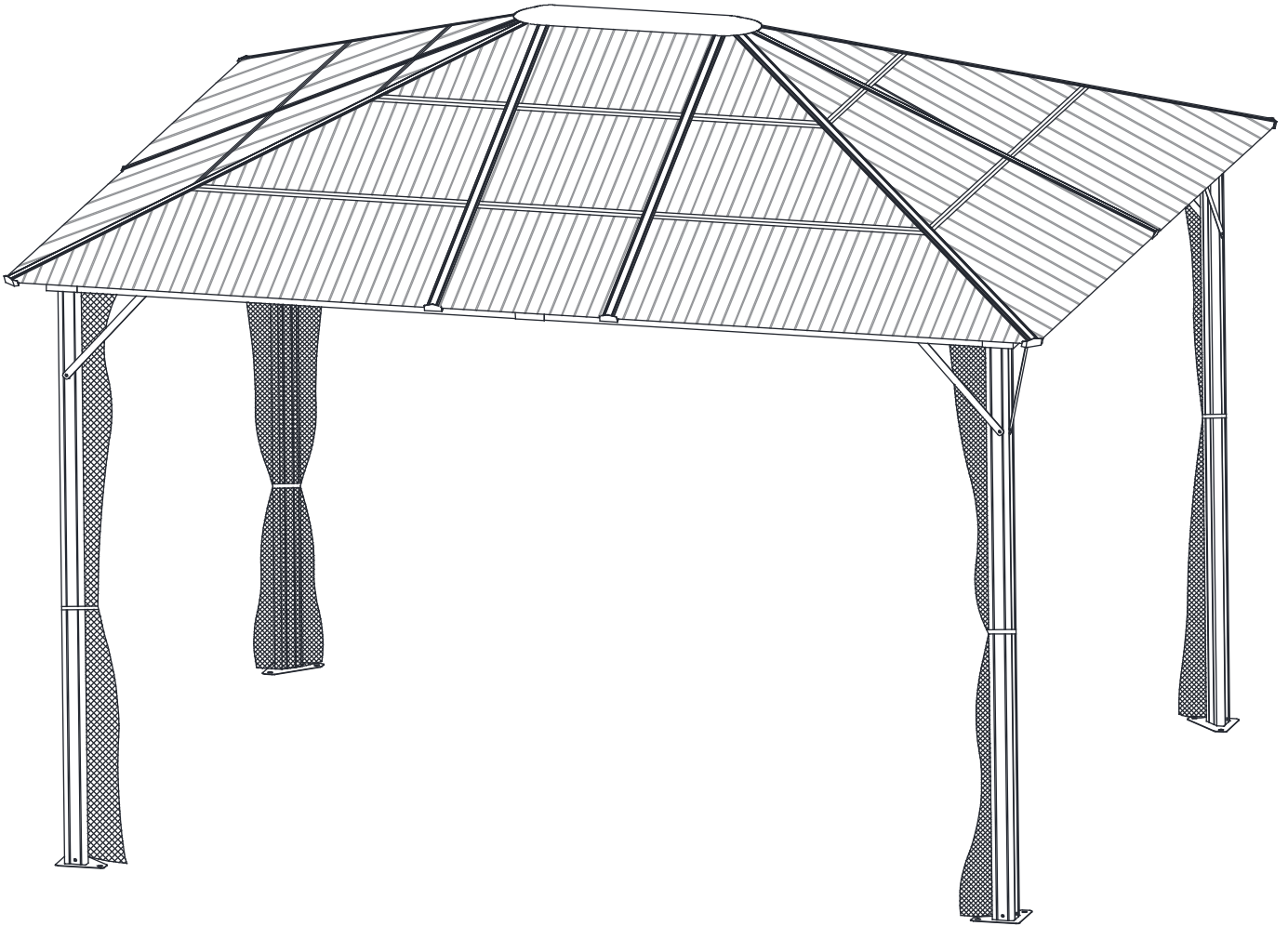


29. Insert the Seal Edge (P3) into the #6 PC roof board separately.



30. Secure the Corner Connector (O) with the Short Top Bar (B1) by bolt (AA).





31. Put the Mosquito net (R) onto the Mosquito net rod (Q1/Q2) through the Hook (EE).
Fix the Base Plate (L) into the ground by the Stake (FF).

Any questions on assembly or parts, please contact: customerservice@e2e-corp.com