

ITEM NO. Z6FCZH0387-WTE

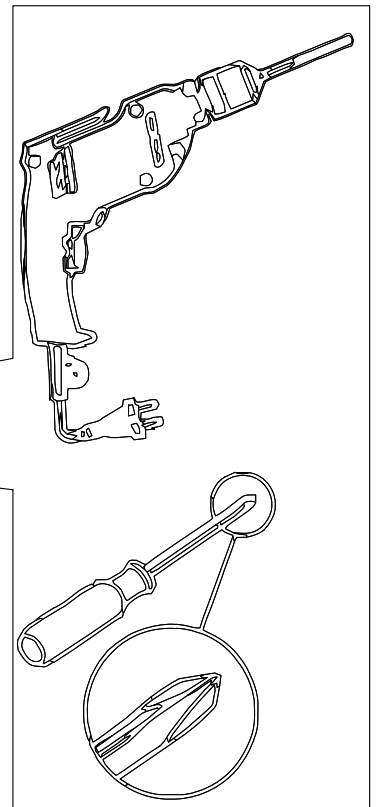
Thank you for purchasing the **File Cabinets ZH0387**. Please read the instructions and warnings carefully before use, to ensure safe and satisfactory operation of this product. At hulahome we are committed to making great products possible. From our in-house Design Team, to our Buyers, we work together to bring great designs to life. Our expert Product Technologists work collaboratively with our buyers and suppliers to assure the legality, safety and quality of the product we sell. We are all committed to designing and developing products to the highest industry standards. We hope you are happy with your product and welcome any feedback or comments you may have.

Introduction

Please read the following instruction carefully and use the product properly.
Please keep this manual and hand it over when you transfer the product.
This summary may not include every detailed information of all variations and considered steps. Please contact us when further information and help needed.

Before Starting

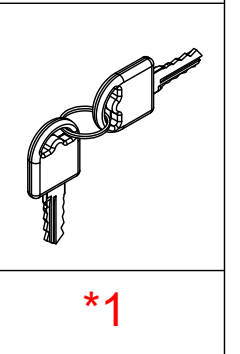
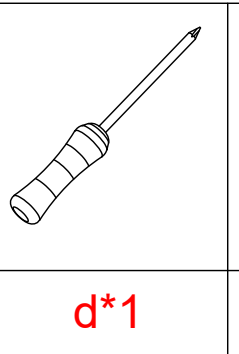
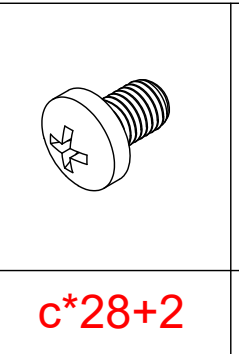
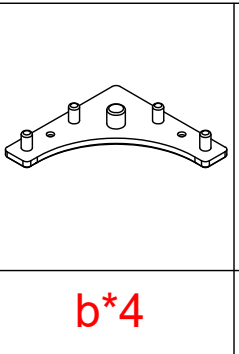
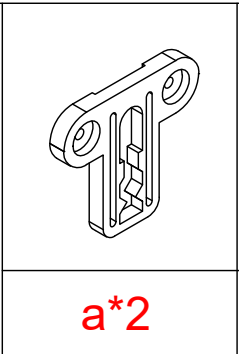
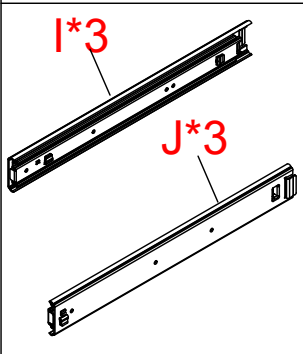
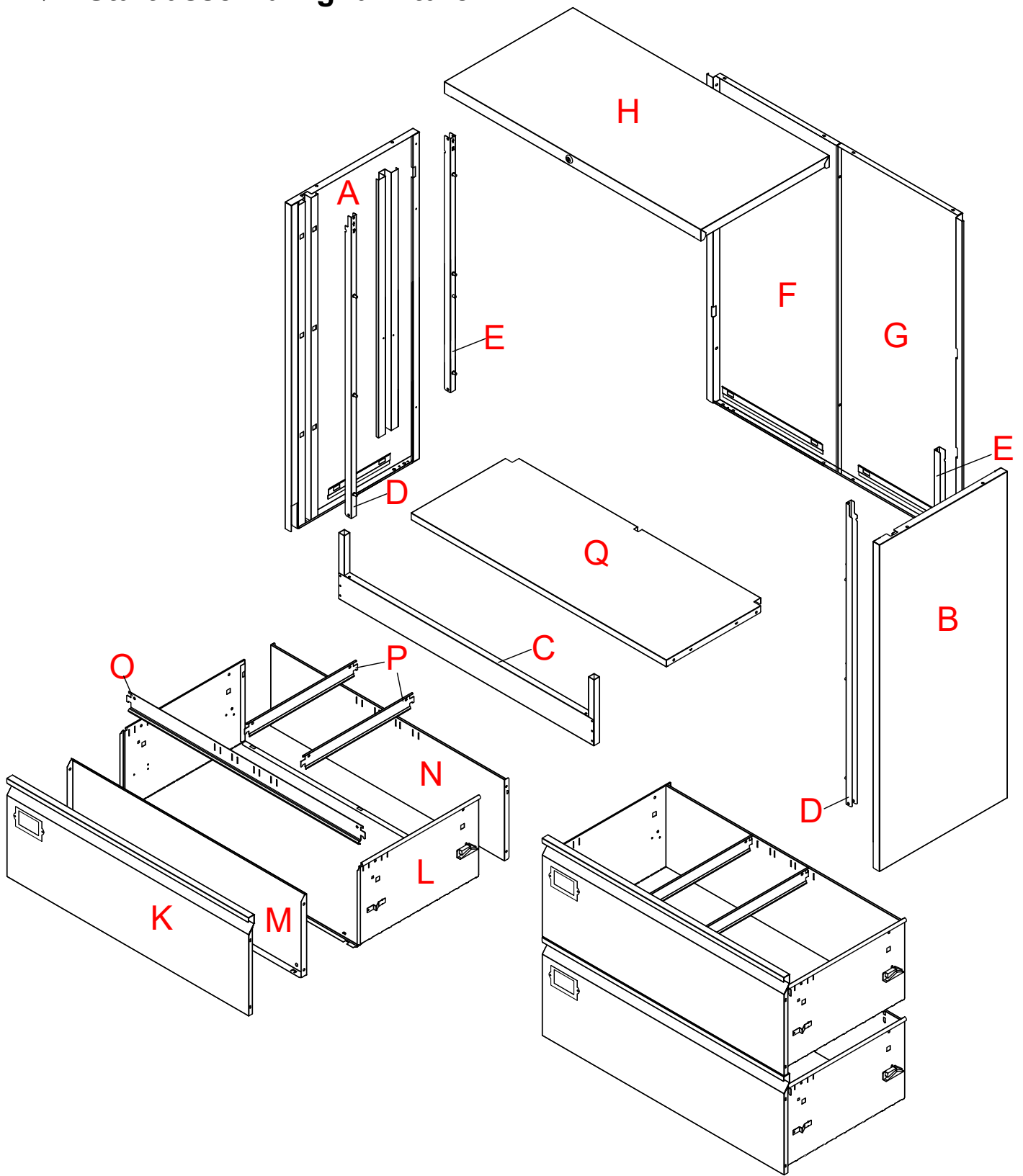
Recommend no. of people needed for assembly:2
Read each section carefully before starting. It is very important that each step is performed in the correct order. If these steps are not followed in sequence, assembly difficulties will occur. Make sure all parts are included. Most board parts are labeled or stamped on the raw edge.
Please assemble the product according to the steps on the diagram strictly. Do not fully tighten the screws until all pieces are situated in place.
For continued use, it's suggested you regularly check the tightness of bolts and connections to ensure safety.
Work in spacious area, preferably on a carpet, near the place the unit will be located.
Have the following tools close at hand.



Warning

Keep all accessories and packaging of this product away from babies, children and pets as the units contains small parts which could be a choking hazard for small children. Children should be under adult supervision at all times or serious injury could occur. Do not put the product in a humid environment for a long time to prevent mildew.
Keep the product away from sharp objects and corrosive chemical to avoid damage.
Do not overload unit. If any shelf, top, or bottom of units bows or bends, it is overloaded. The shelf, top, or bottom could collapse and cause serious bodily injury and/or damage to personal belongings.
Do not climb or step on the unit. The unit may become unstable and either tip or collapse. Serious bodily injury and/or damage to personal belongings may occur.

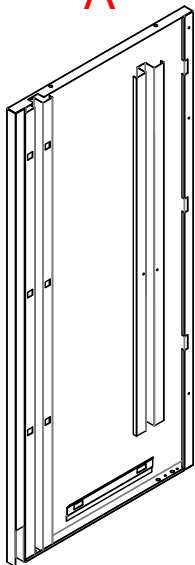
◆ Start assembling furniture



Components of furniture

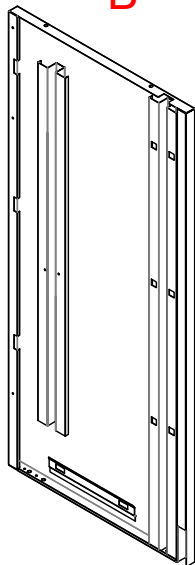
Please check the board number and the hole on the board

A



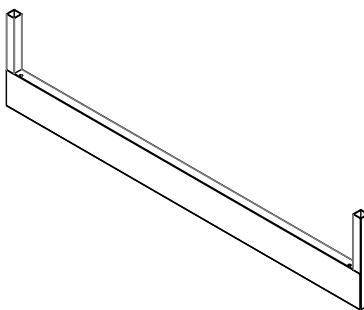
LEFT SIDE PANEL
995x450mm
QTY:1PC

B



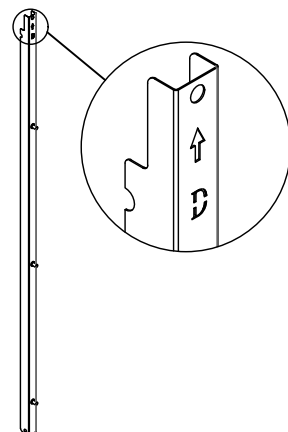
RIGHT SIDE PANEL
995x450mm
QTY:1PC

C



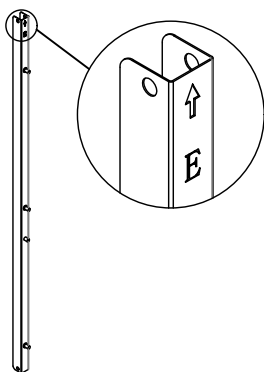
FRONT UNDERSIDE FRAME
898x80mm
QTY:1PC

D



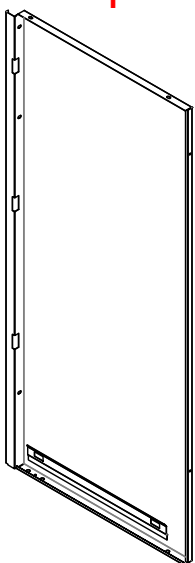
FRONT LOCK BAR
917x18mm
QTY:2PCS

E



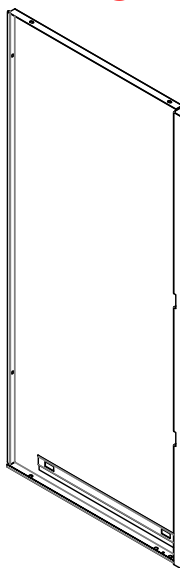
ANTI-TIPPING LOCK BAR
WITH SMALL RIVETS
774x18mm
QTY:2PCS

F



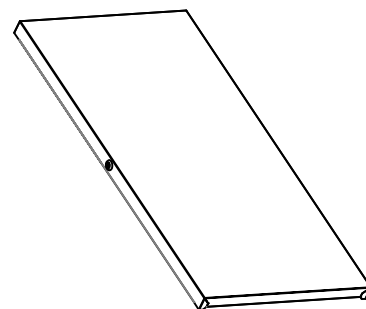
LEFT BACK PANLE
995x426mm
QTY:1PC

G



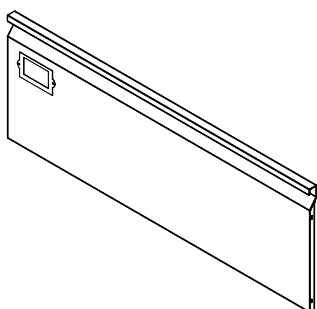
RIGHT BACK PANLE
995x426mm
QTY:1PC

H



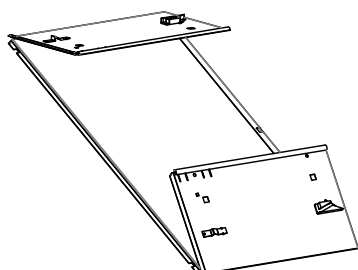
TOP BOARD
902x452mm
QTY:1PC

K



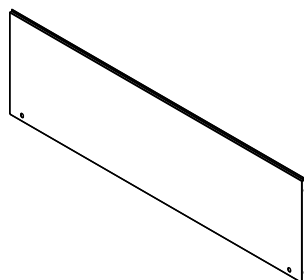
DRAWER FACE PANLE
851x300mm
QTY:3PCS

L



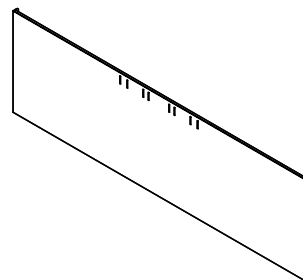
DRAWER BODY
825x433mm
QTY:3PCS

M



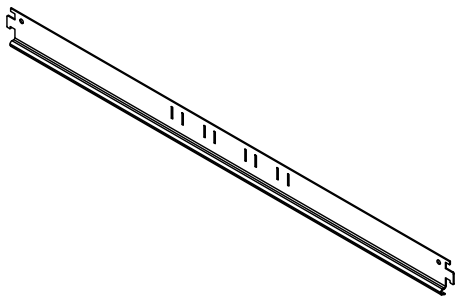
FRONT PANEL
823x248mm
QTY:3PCS

N



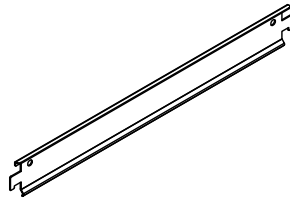
REAR PANEL
823x248mm
QTY:3PCS

O



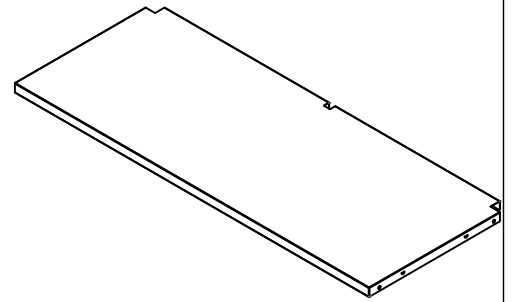
HORIZONTAL FILE FOLDER BAR
837x57mm
QTY:3PCS

P



VERTICAL FILE FOLDER BAR
397x47mm
QTY:6PCS

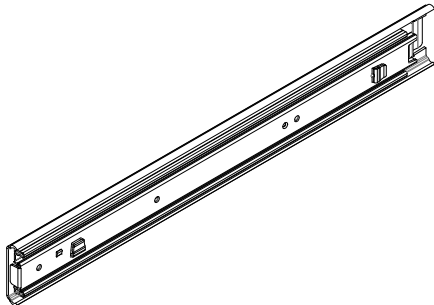
Q



BOTTOM PANEL
898x356mm
QTY:1PC

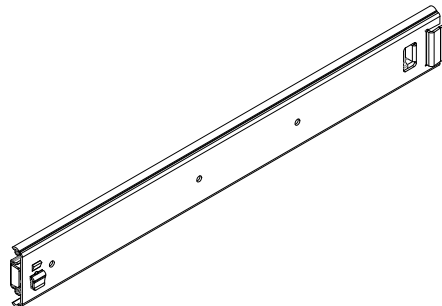
Hardware accessories

I



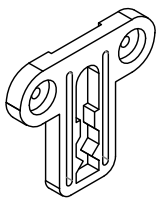
LEFT SIDE RAIL
425x45mm
QTY:3PCS

J



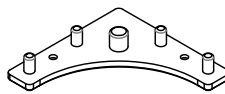
RIGHT SIDE RAIL
425x45mm
QTY:3PCS

a



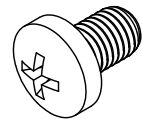
REAR INTERLOCKING BLOCK
QTY:2PCS

b



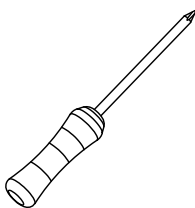
FLOOR PROTECTOR
QTY:4PCS

c



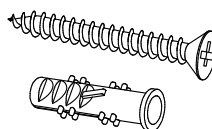
SCREW
M4*8
QTY:28+2 PCS

d

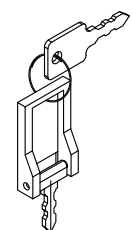


PHILLIPS SCREWDRIVER
QTY:1PC

e

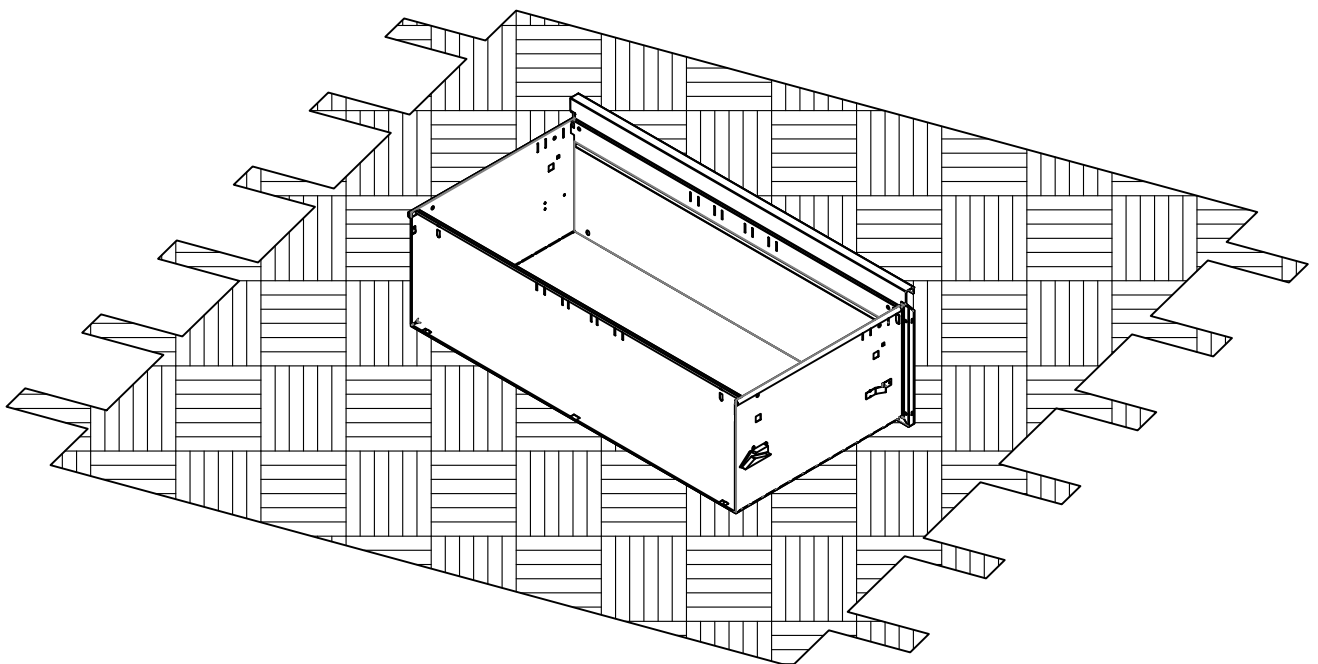
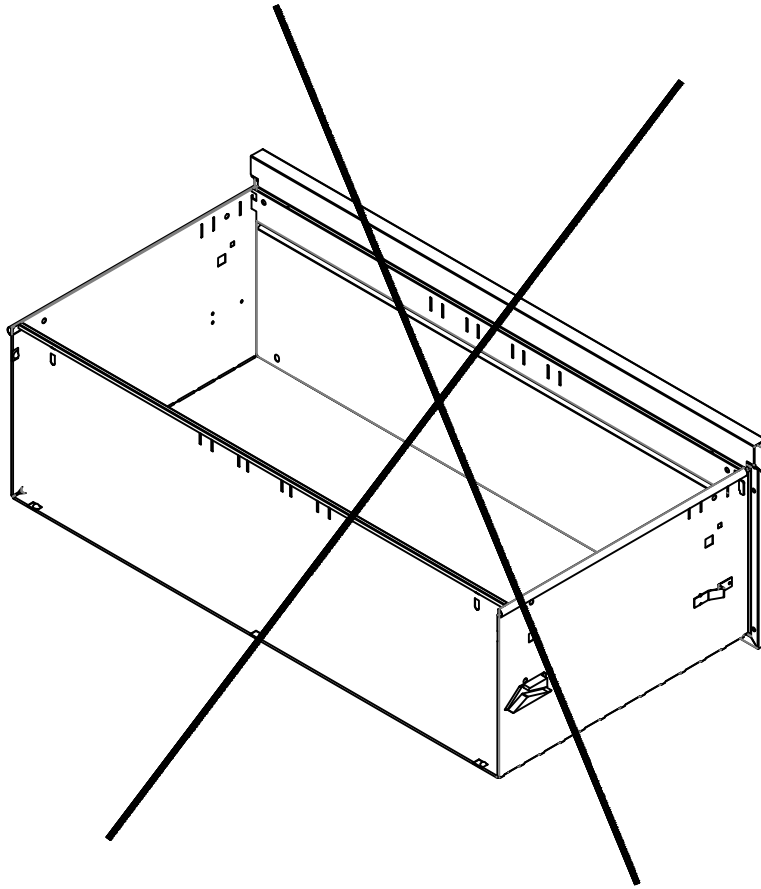


M5*55
QTY:2PCS



LOCK KEY
QTY:1PC

- ◆ We recommend you assemble on a soft surface to avoid damage to the unit or surface.

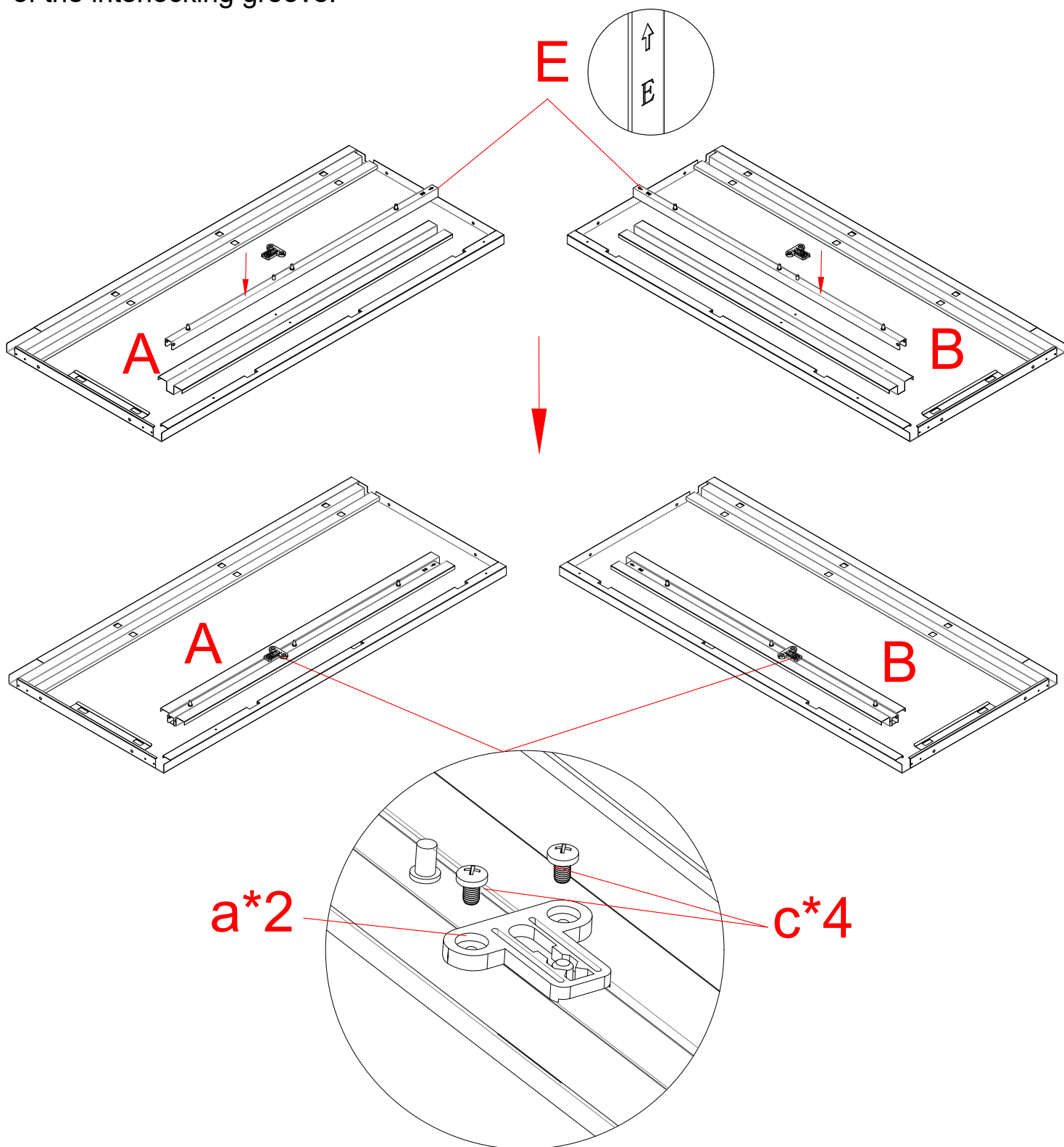


STEP 1

Assemble Anti-tipping lock bar (E)

Please put Anti-tipping lock bar(E) in the interlocking slots on the side panels and fix them with the Rear interlocking block(a).

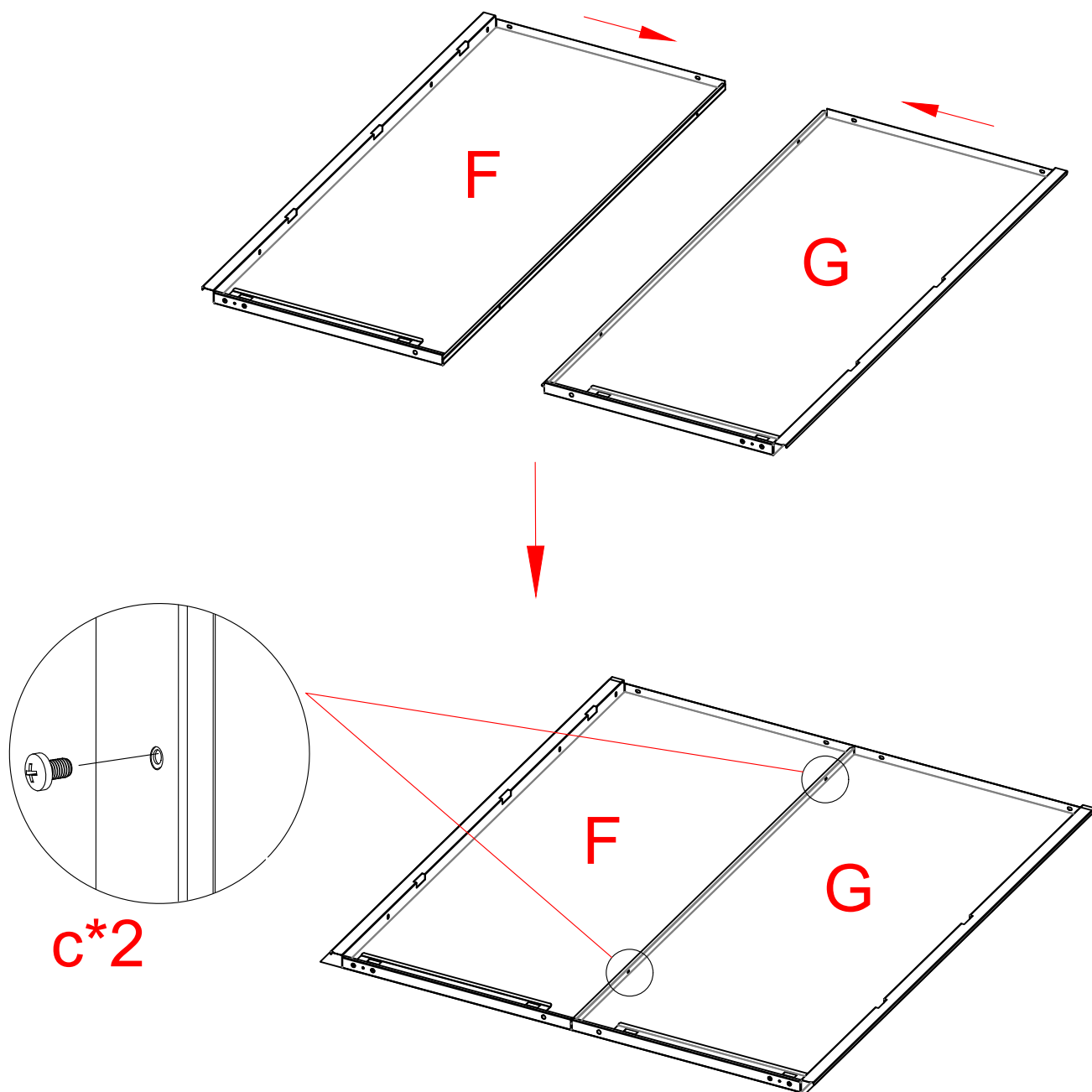
Note: The Rear interlocking block needs to pass through the small rivets on the rear interlocking rod and correspond to the screw holes on the left and right sides of the interlocking groove.



STEP 2

Assembly Back Panel

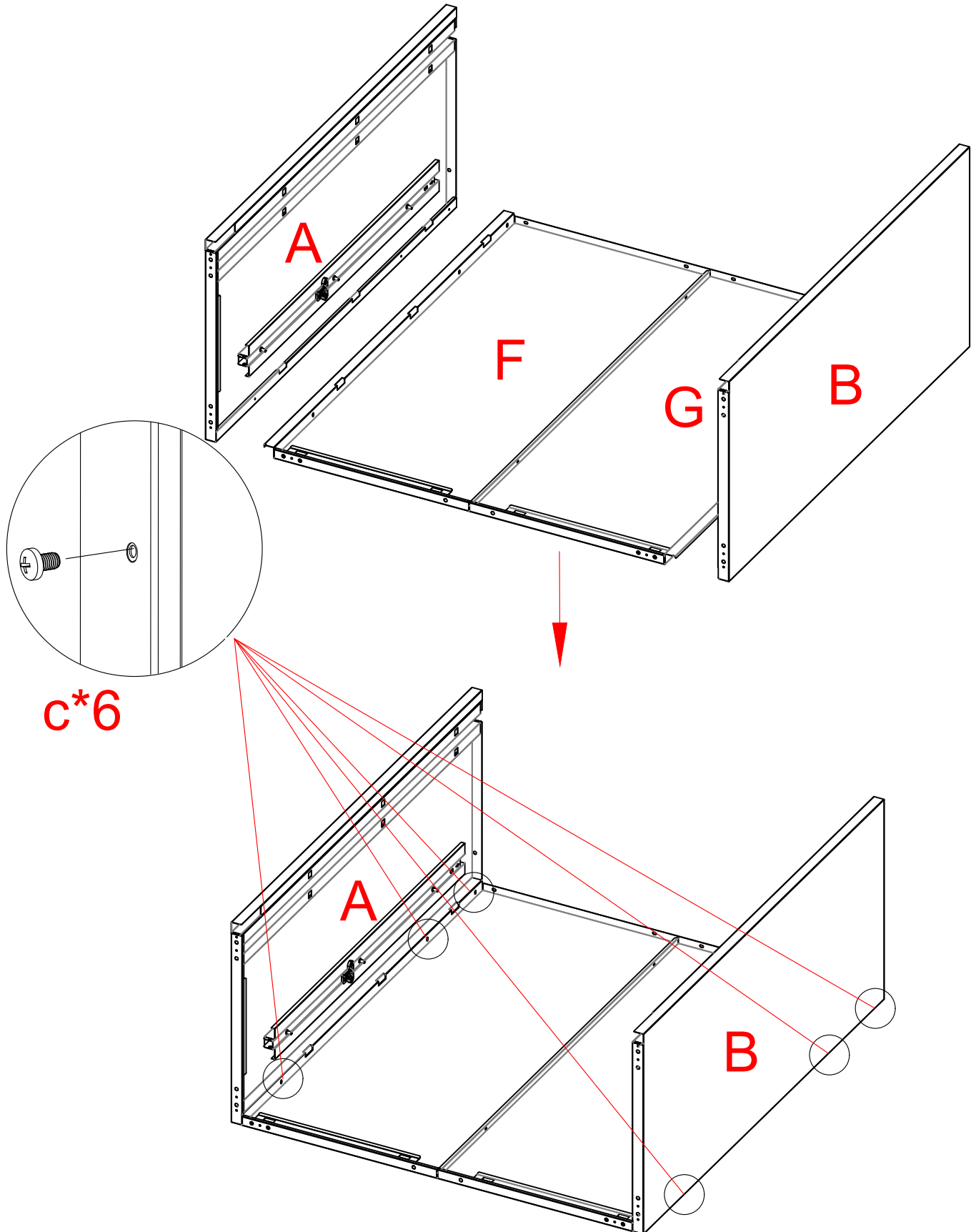
Connect Left back panel(F)with Right back panel(G)using two Screws(c).



STEP 3

Assemble Left and Right Side Panels

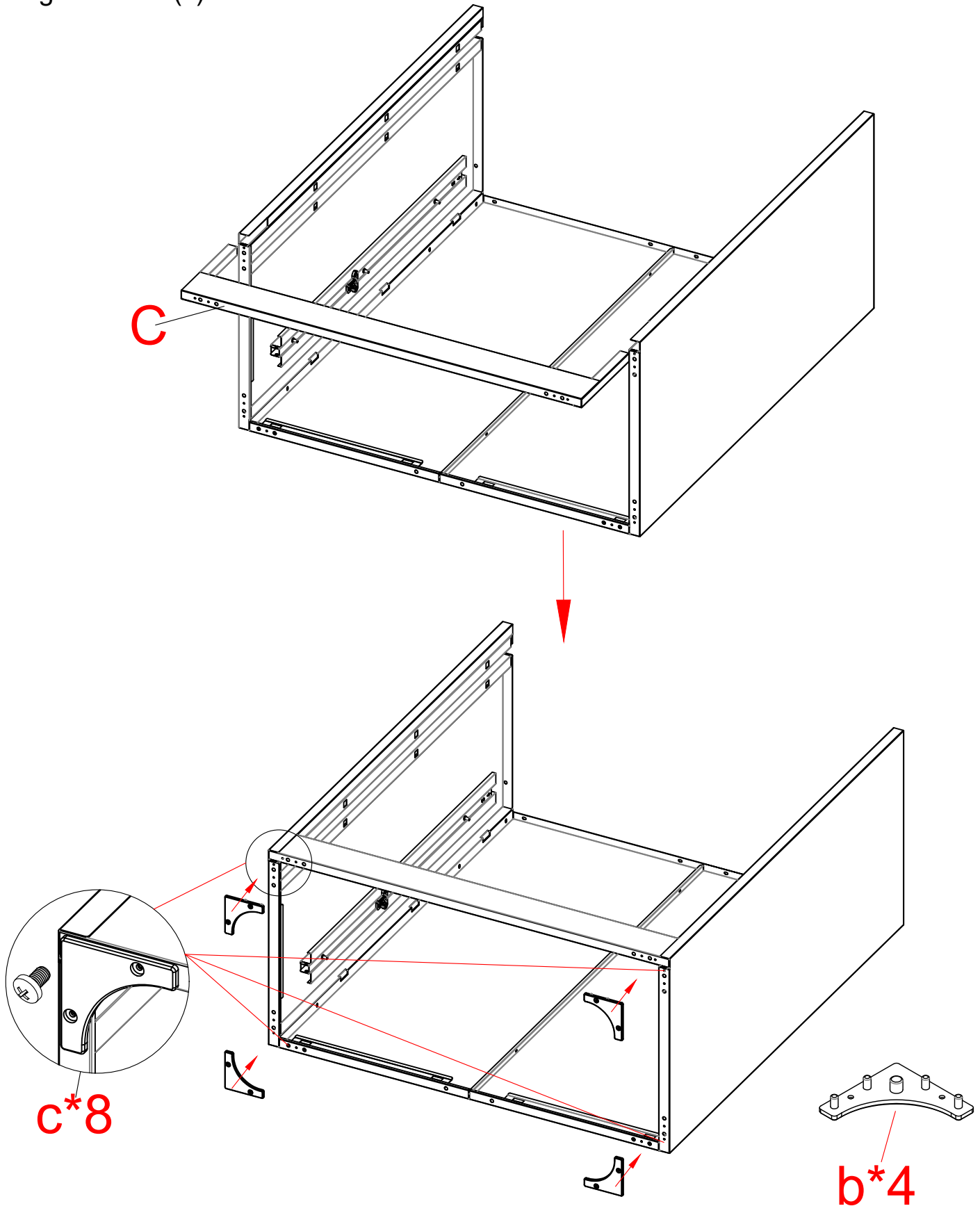
As shown, place the Left panel (A) and the Right panel (B) under the Back panel and connect them with six Screws(c).



STEP 4

Assemble Front Bottom Frame (C)

The side panels are placed horizontally, the Front underside frame(C) is inserted, and the four corners are fixed with four Floor protector(b) using eight Screws(c).

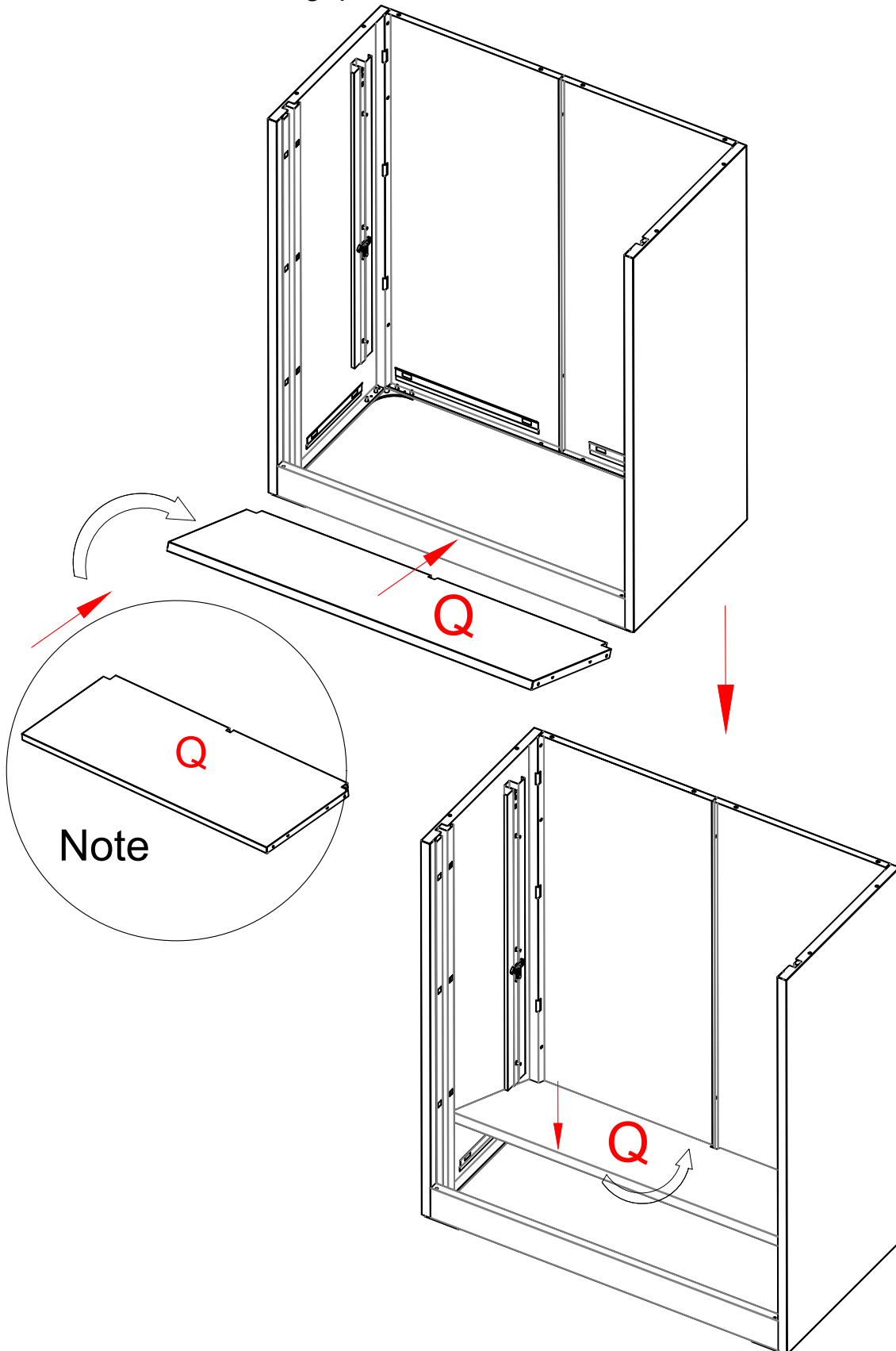


STEP 5

Assembly Bottom Panel (Q)

Assemble the bottom panel. The Bottom panel is inclined into the cabinet, which is fastened in the square holes of the left and right sides and the bottom bracket of the back panel.

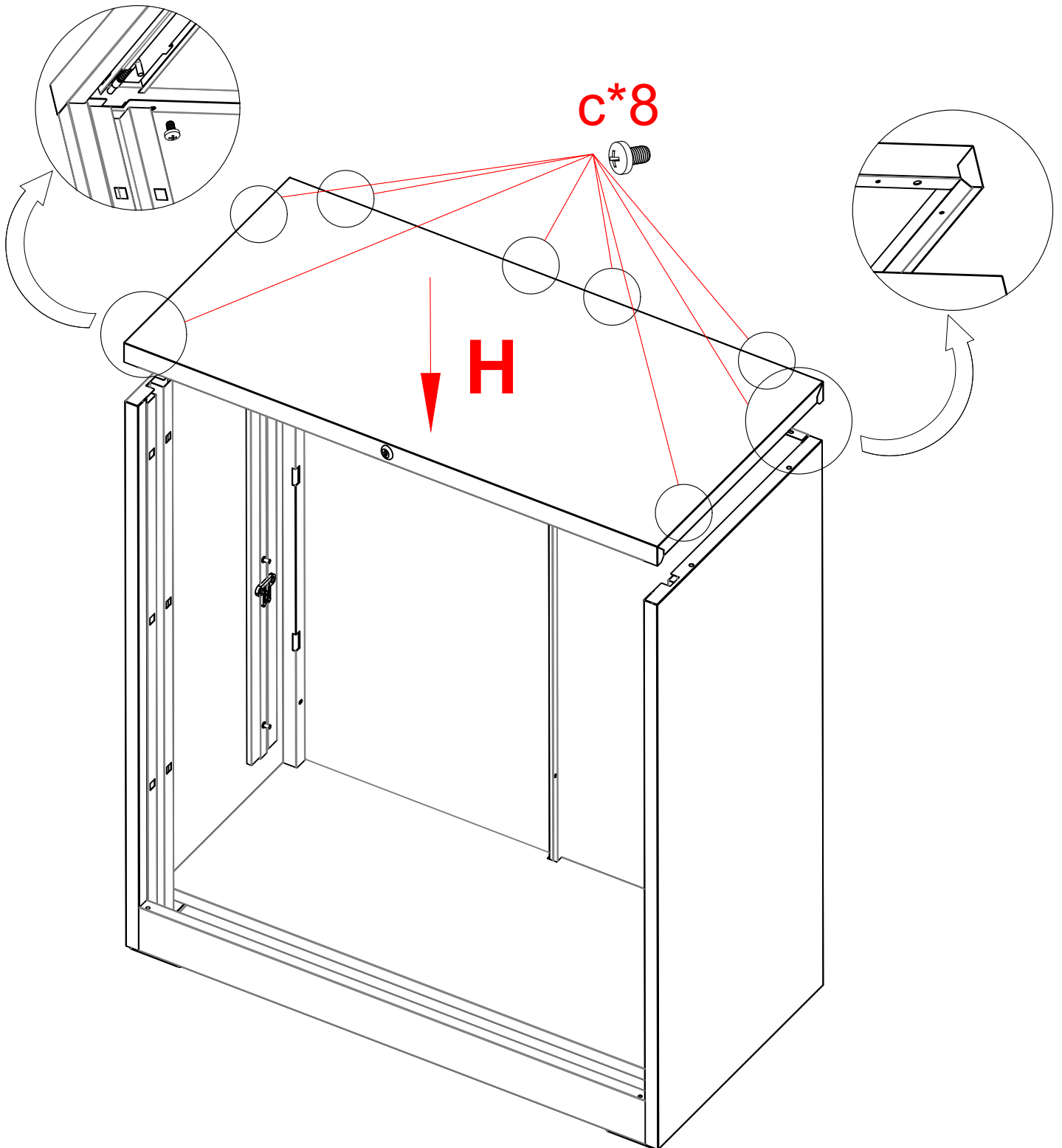
Note: The direction of the gap is in the back.



STEP 6

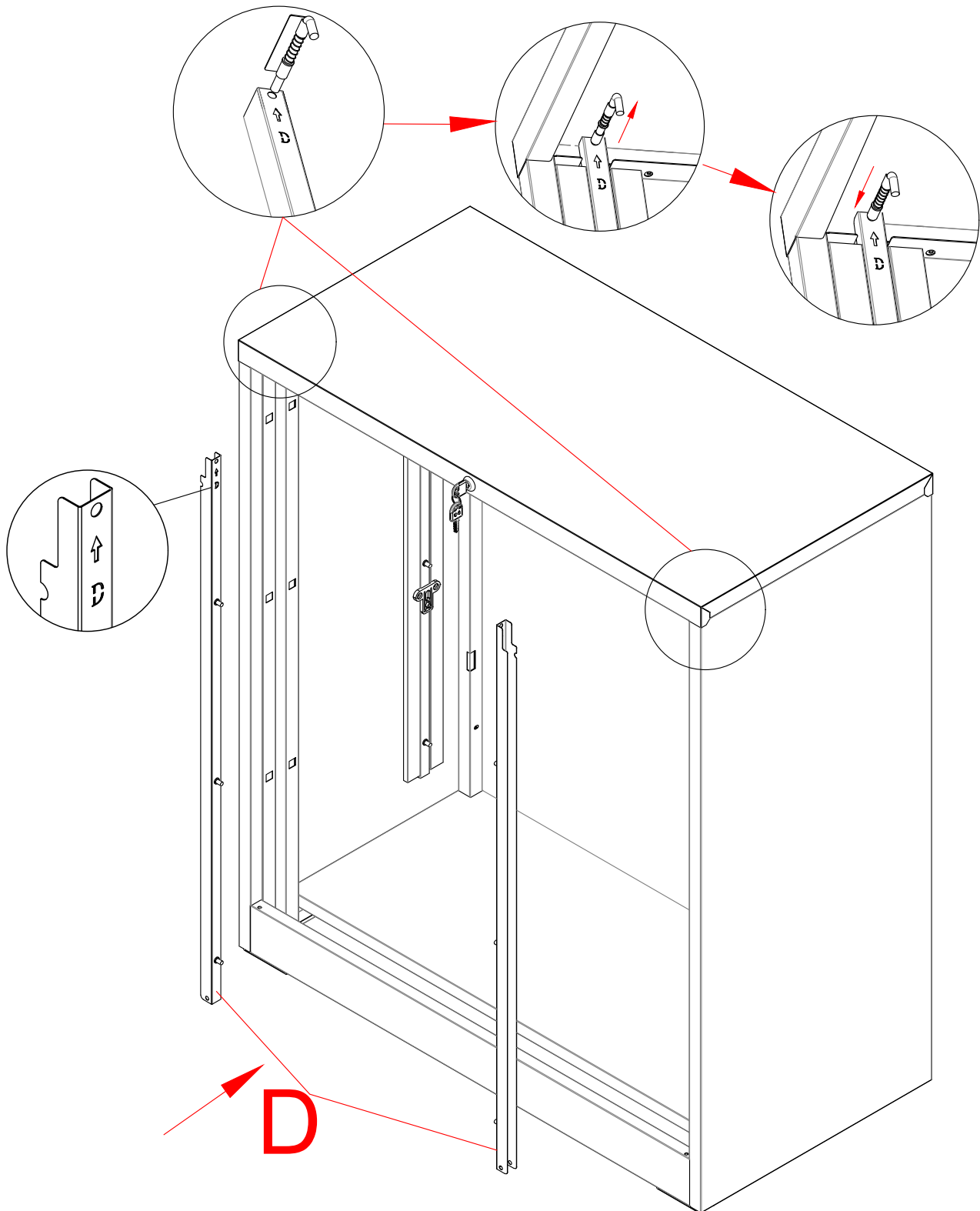
Assemble the Top Panel(H)

Note: Install the Top Panel (H) on the left, right side panel and the back panel as shown in the picture, then connect them with eight Screws(c).



STEP 7

Connect the Front Lock Bar(D) with the top panel (H) and side panels (A&B).Then insert the Front Lock Bar (D) into the left and right pin as shown.

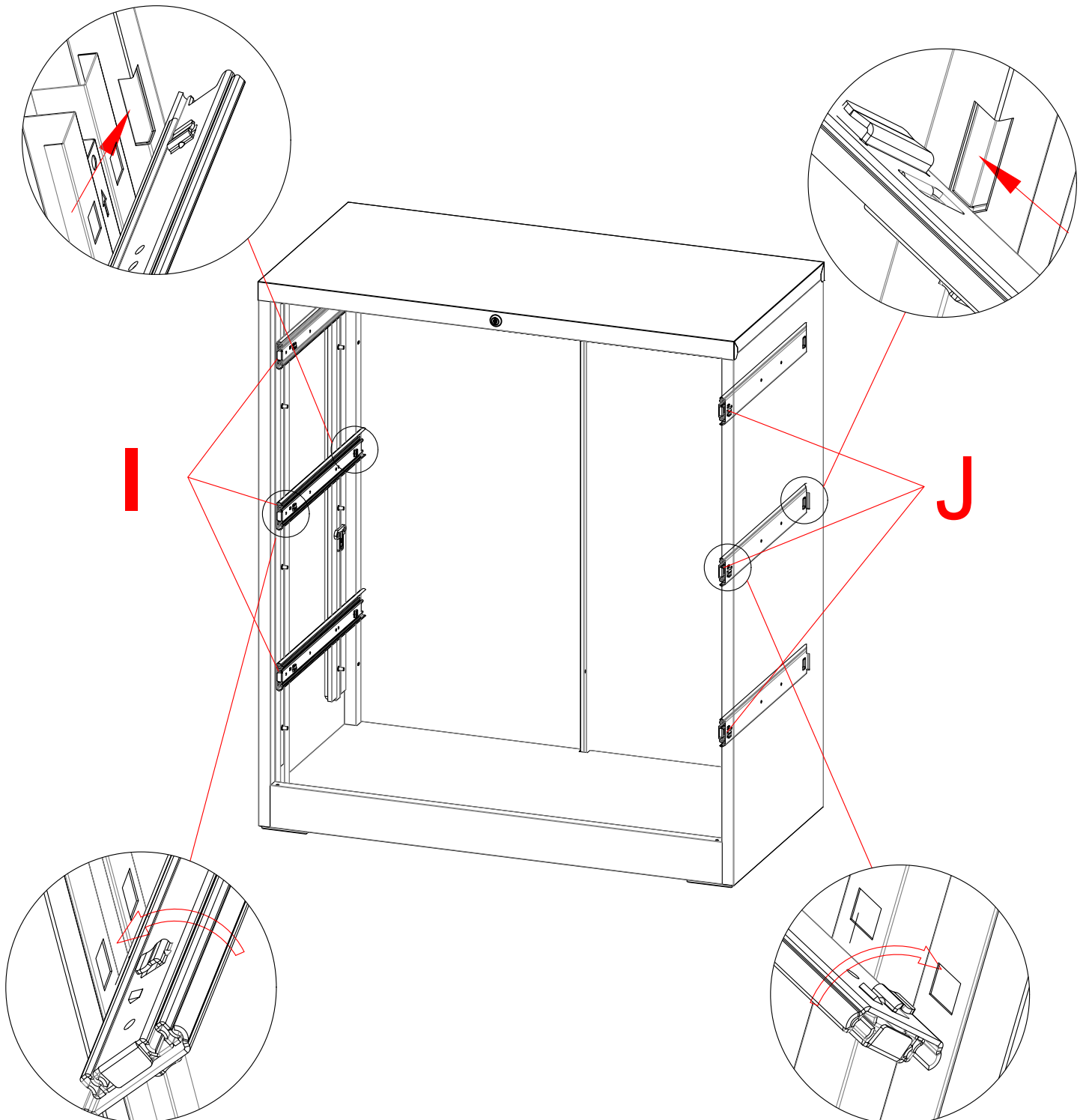


STEP 8

Assemble Left Side Rail(I*2)and Right Side Rail(J*2)

8.1 Put Left Side Rail (I) on the left side panel(A).

8.2 Put Right Side Rail(J) on the right side panel(B).



STEP 9

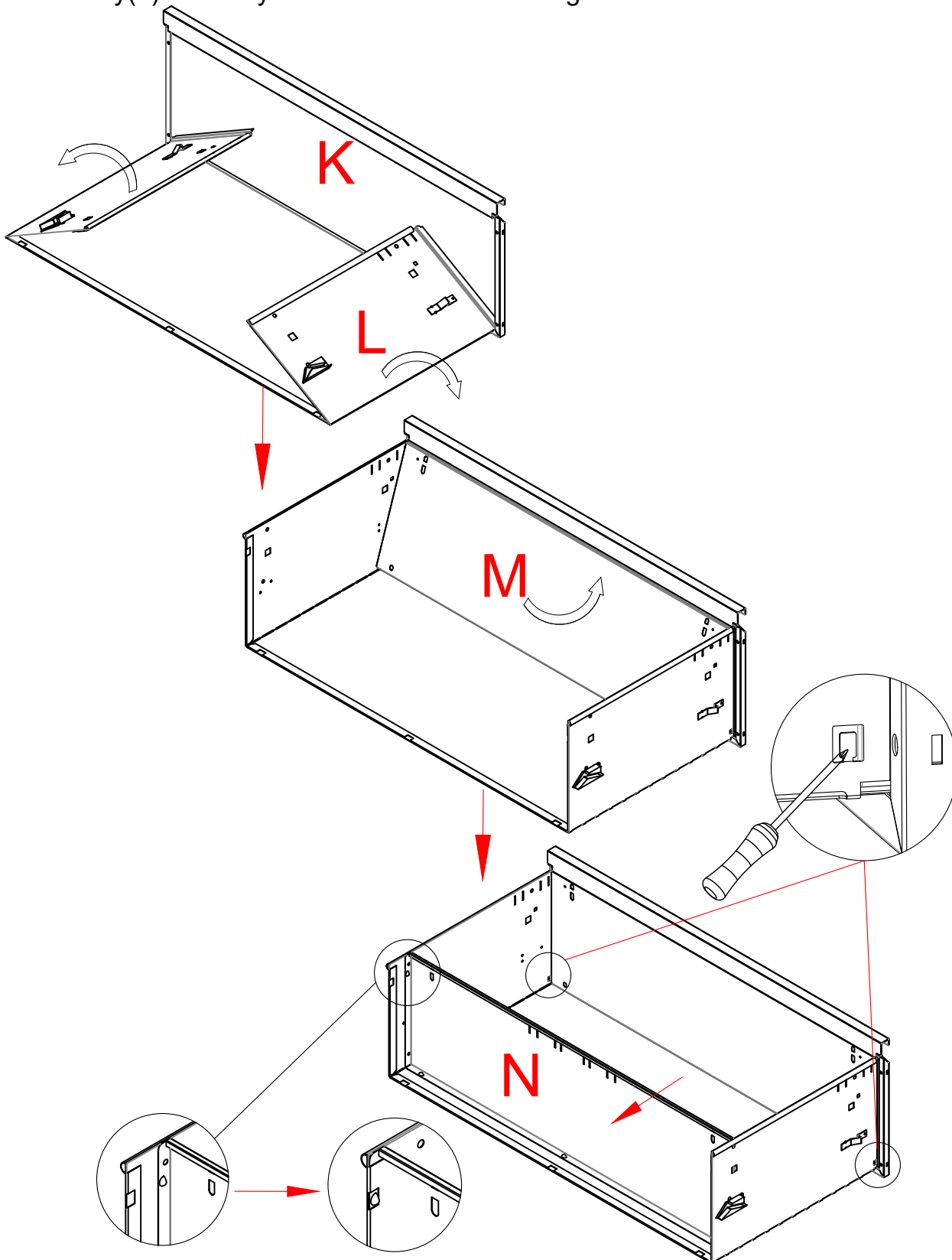
Assemble three Drawers

9.1 Connect Drawer Panel(L)with Drawer Panel(K).

9.2 Put Front Panel (F) on the Drawer Panel (K).

9.3 Connect Rear Panel(N) with Drawer Panel(L).

Note: when installing the drawer body(L), do not fold the both sides of the drawer body(L) too many times in order to breaking.



STEP 10

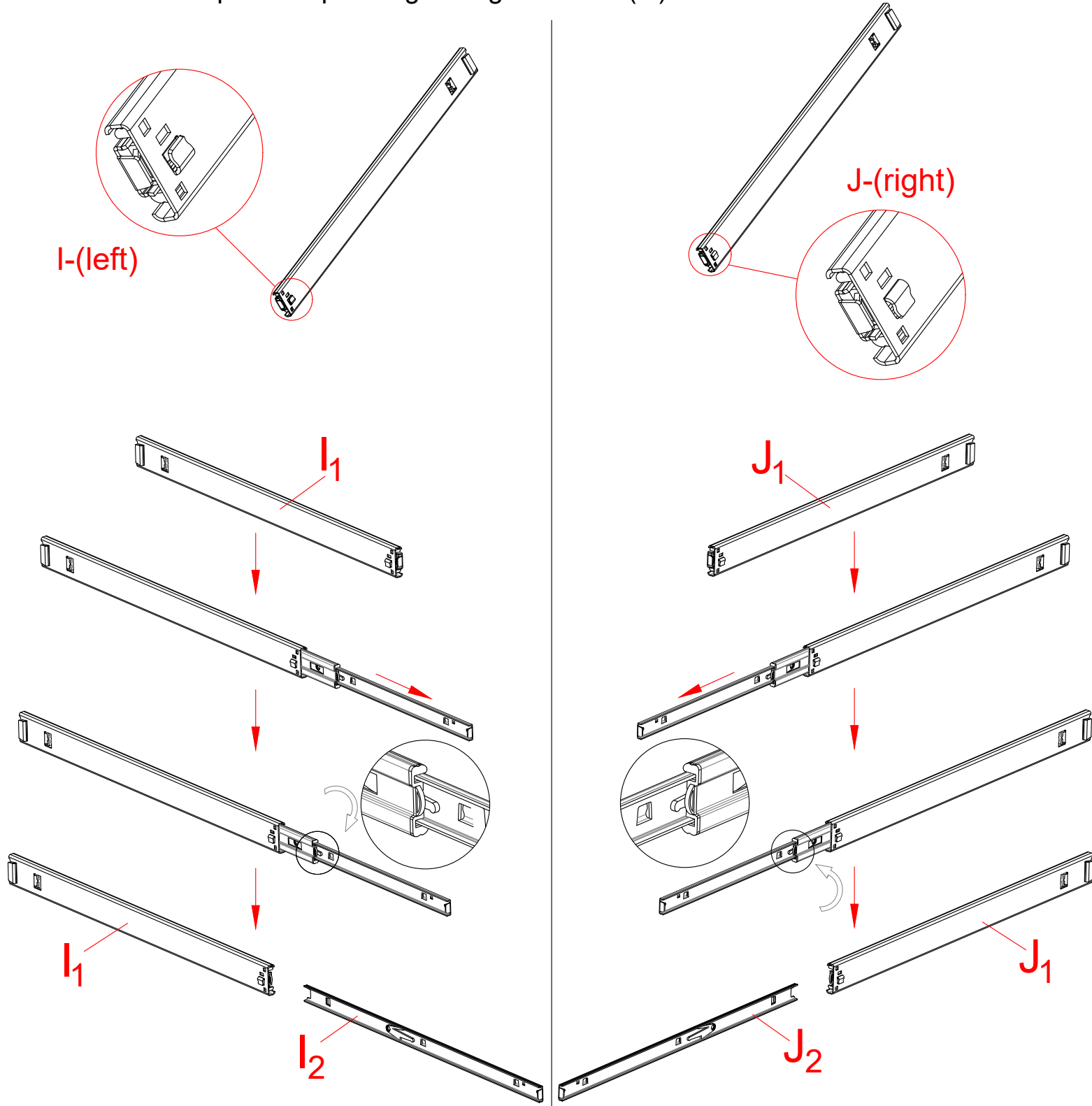
Separate the Inner Rails(I&J)

10.1 Pull out the rail core from I1.

10.2 Press the black part to take out the rail core (I2).

10.3 As shown in the picture, the left side rail(I)has been divided into two parts, I1&I2.

Note: The steps for separating the right side rail(J)are the same as above.

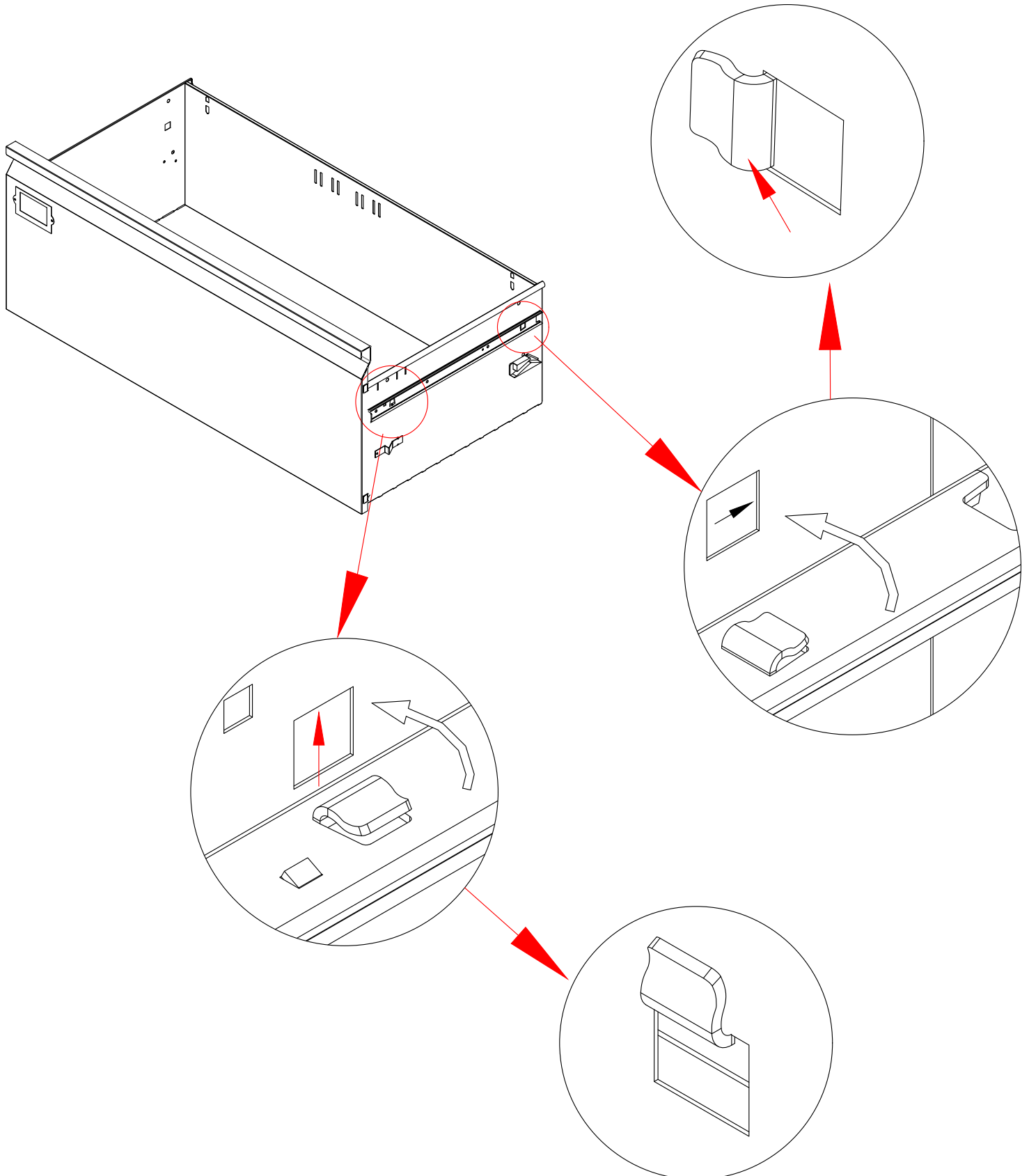


STEP 11

Put Inner Rail on the Drawer Frame(L).

Attach the left inner drawer runners (I2) to the left side of the assembled drawer, and attach the right inner drawer runners (J2) to the right side of the assembled drawer.

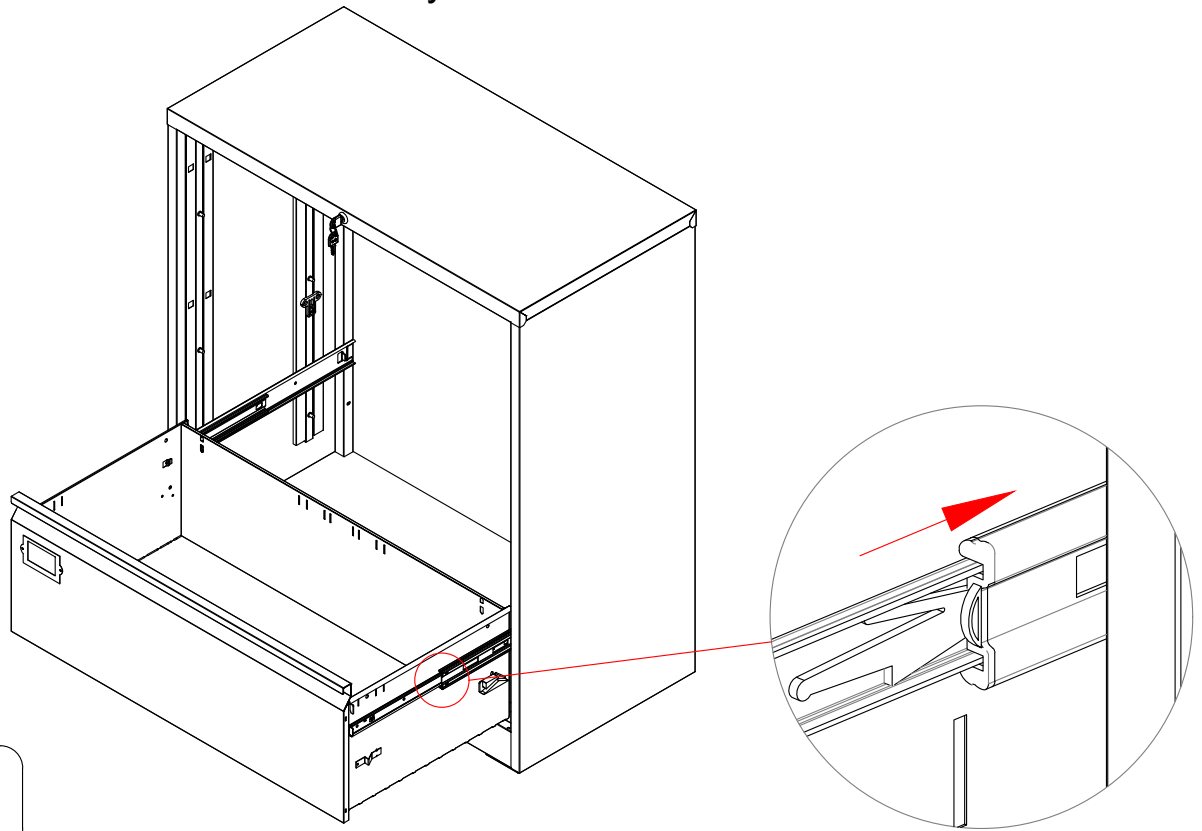
Note: the front hook of the rail core is always facing up.



STEP 12

Finish assembly

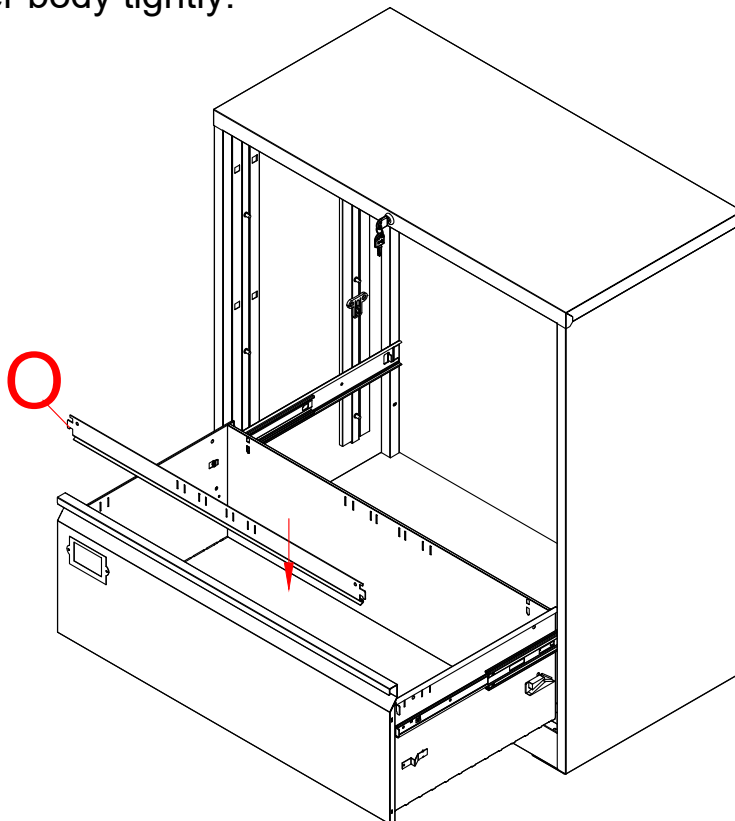
Slide the Drawer Frame into the Body Frame.



STEP 13

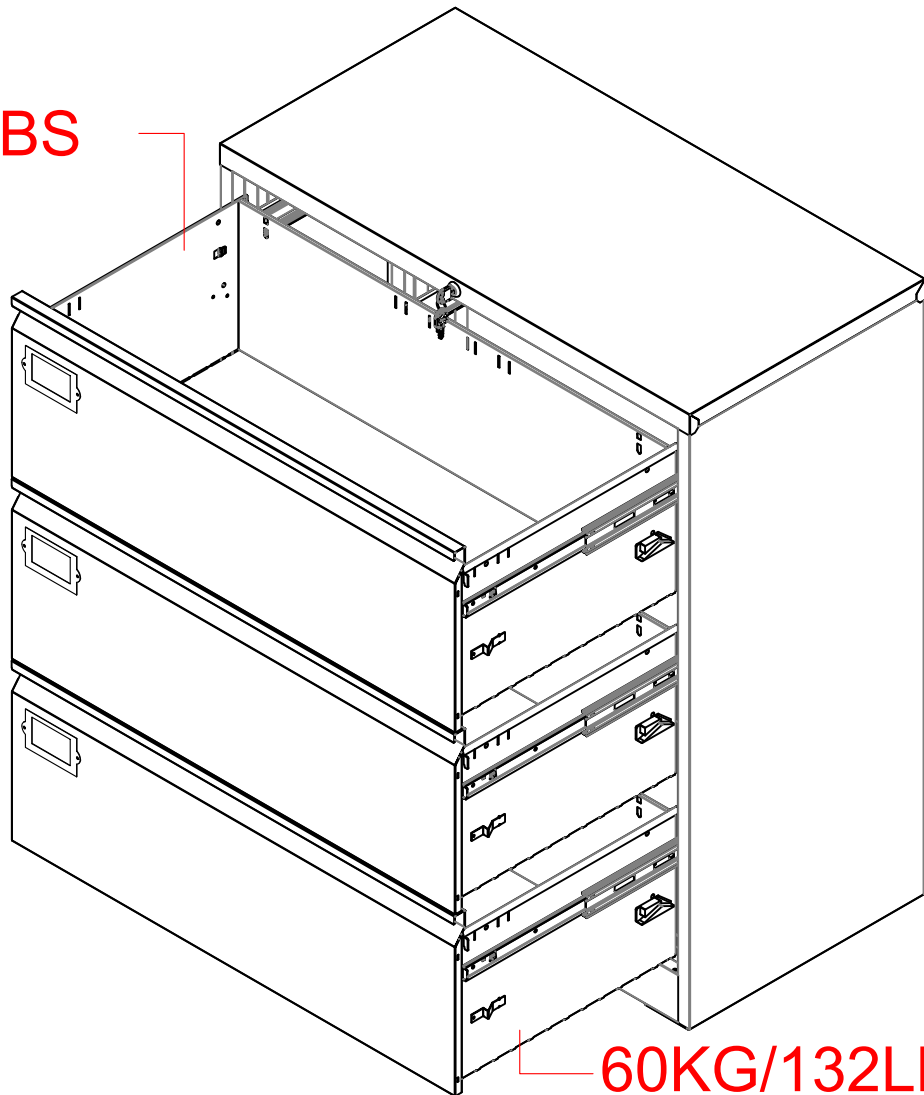
Put Hanging file folder bar(O)and (P) on the Drawer body(L).

Note:When you install the file folder bar, please be sure to clip the bar(O)and (P)into the drawer body tightly.



WEIGHT LIMITS:

60KG/132LBS



60KG/132LBS

Enjoy your furniture!

WARNING

This unit has been designed to support the maximum loads shown. Exceeding these load limits could cause sagging, instability, product collapse, and/or serious injury.



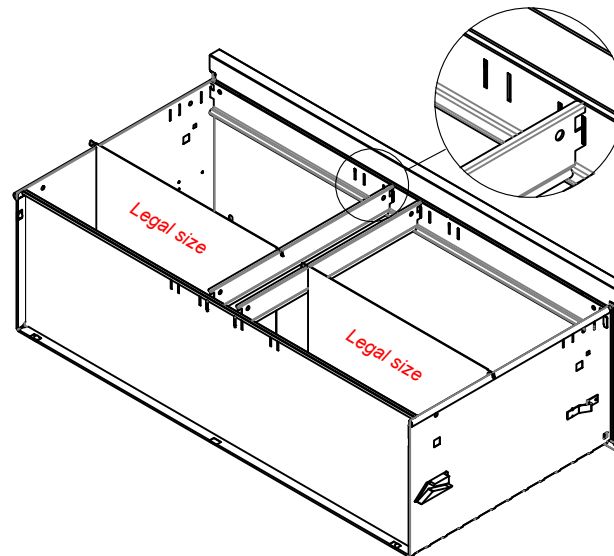
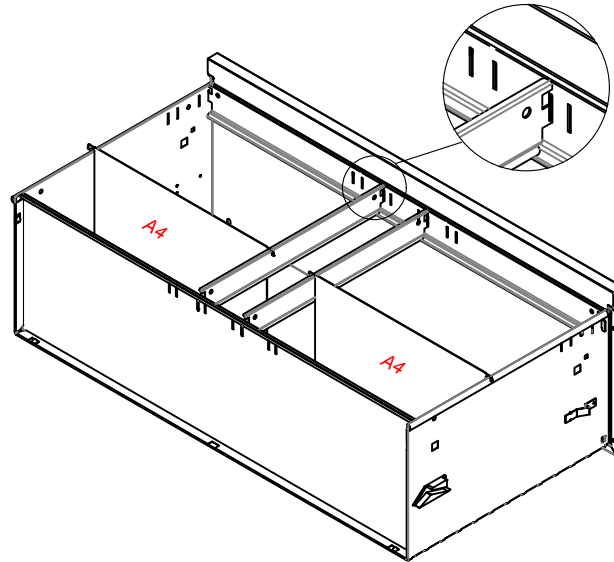
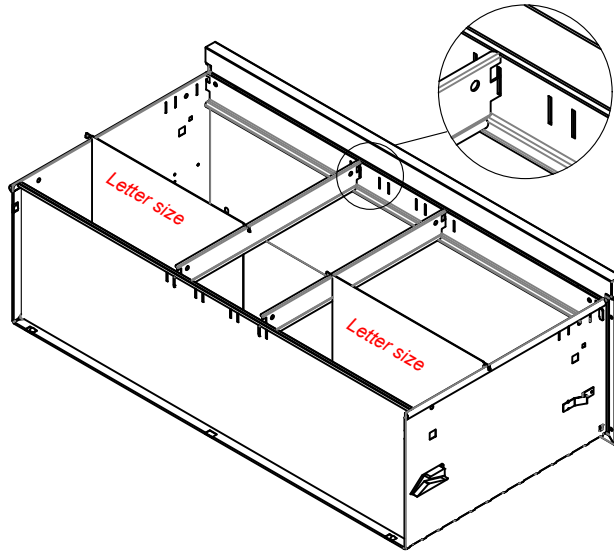
WARNING

Please make sure that all panels are attached securely. All nails must be driven into the parts straight and tightened firmly. Failure to do so could cause instability, product collapse, and/or serious injury.

To prevent tip over:

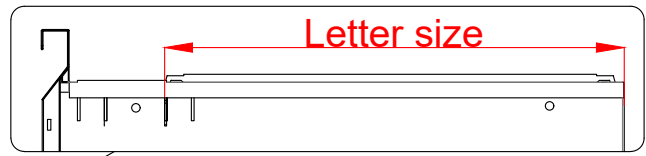
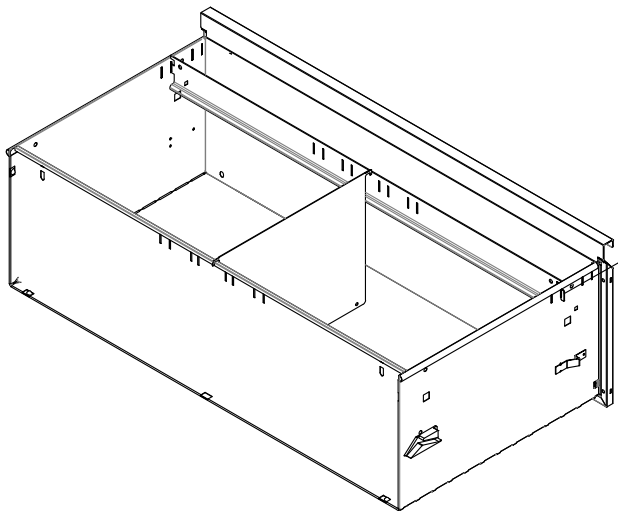
- ◆ Place heaviest items in the second drawer.
- ◆ Unless specifically designed to accommodate, do not set TVs or other heavy objects on the top of this product.
- ◆ Never allow children to climb or hang on drawers.
- ◆ Only one drawer can be open at one time.
- ◆ Never open more than one drawer at a time.

Instructions



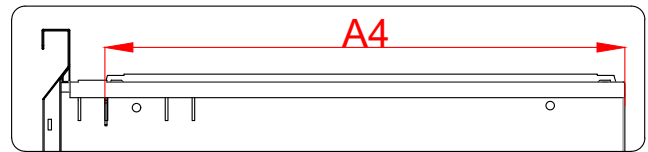
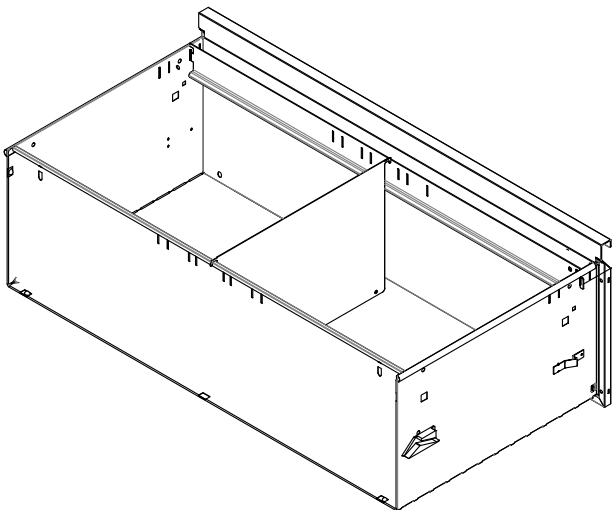
Option 1

For Letter Size File Folders



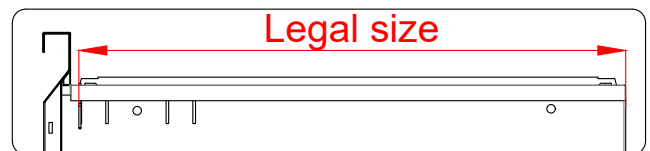
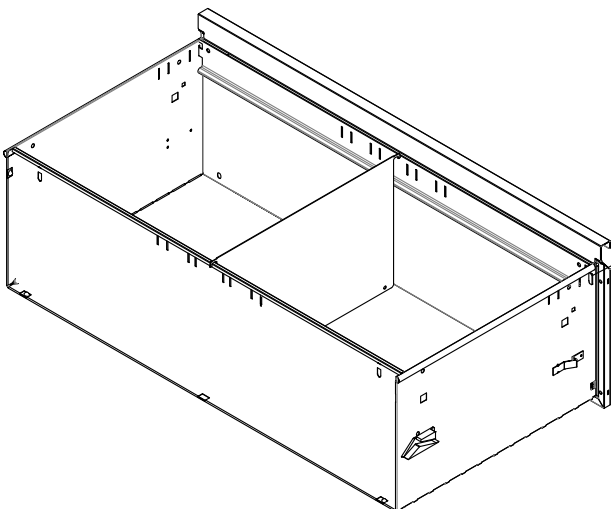
Option 2

For A4 Size File Folders



Option 3

For Legal Size File Folders



FAQ

1) Q: Could I kneel on the bottom panel when I install the screws of the top panel?

A: You mustn't kneel on the bottom panel when you install the screws of the top panel. Otherwise, the bottom panel is easily deformed.

2) Q: Are the screws easy to install in the holes on the top panel?

A: As long as it can be ensured that the back panel and the side panel are installed at right angles, it is easy to screw the top panel and connect these three parts well.

3) Q: How should I install the drawer?

A: Please install the drawers in the unlocked state, then follow step 12 on page 17 of the instructions.

4) Q: Why do I feel that the lock is not good enough to open and close?

A: Actually, the lock is very good, please make sure that the drawer is closed tightly when you lock the cabinet. That is, the drawer face panel and the cabinet must be on the same plane, otherwise it will affect the closing and opening functions of the lock.

5) Q: Why are the side rails so heavy?

A: Because there are a lot of file folders in the cabinet, in order to ensure that the cabinet does not fall over, we choose to use the heavy side rails. When there are many folders in the drawer, please close the drawer hard.

6) Q: How can I fix the Front Panel(M) stably?

A: Please use a screwdriver to press down the little piece on the drawer body, you can follow step 9 on page 14 of the instructions.

7) Q: How can I adjust the drawer which doesn't close tightly?

A: Because the rails are heavy, you need to close the drawer hard. When you find the drawer doesn't close tightly, please push it and make the drawer face panel and the frame of cabinet on the same plane.

MAINTAINANCE AND WARNING

Keep furniture away from heat.

Do not clean furniture with harsh cleansers or polish. Do not use detergents, Solvents, abrasives, spray packs or leather cleaner. Use non-color mild soap with warm water clean spills(Mix 1:10 soap to water)

Do not place furniture under direct sunlight, material will possibly fade over time.

Do not use on site dry Cleaning machine.

Children should not climb or jump on the furniture.

Do not write on furniture without a padded barrier to protect the surface.

Not for commercial use, For residential use only.

The maximum load is 110 LBS.

WARRANTY

We strive to offer high-quality products, and we also try our best to satisfy each and every customer that orders from us with product or service as needed. We provide 30 days warranty starting from the time you receive the item. Each customer must provide a record of their order such as the order number, or item receipt for any items that are out of the warranty period you may also still receive replacement parts by purchasing them with our company if they are available.

Are you having difficulty with assembly? Missing parts? Please send email with your order No to customerservice@hulalahome.com

For return, please check the return policy with the retailer or market place you bought from . Appreciate your purchasing from us. Pop up your life by our furniture piece!