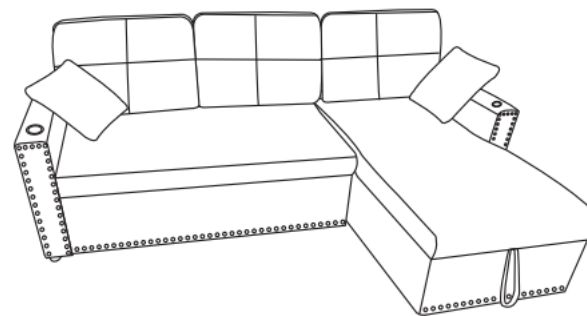


-L



-R

PARTS LIST



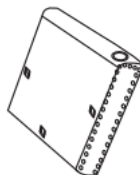
A

x1



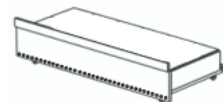
B

x1



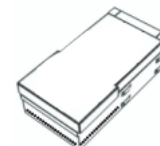
C

x1



D

x1



E

x1



F

x1



G

x1



H

x1



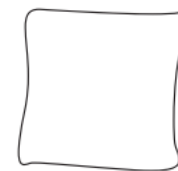
I

x1



J

x1



K

x2

HARDWARE LIST



1

x4



2

x12



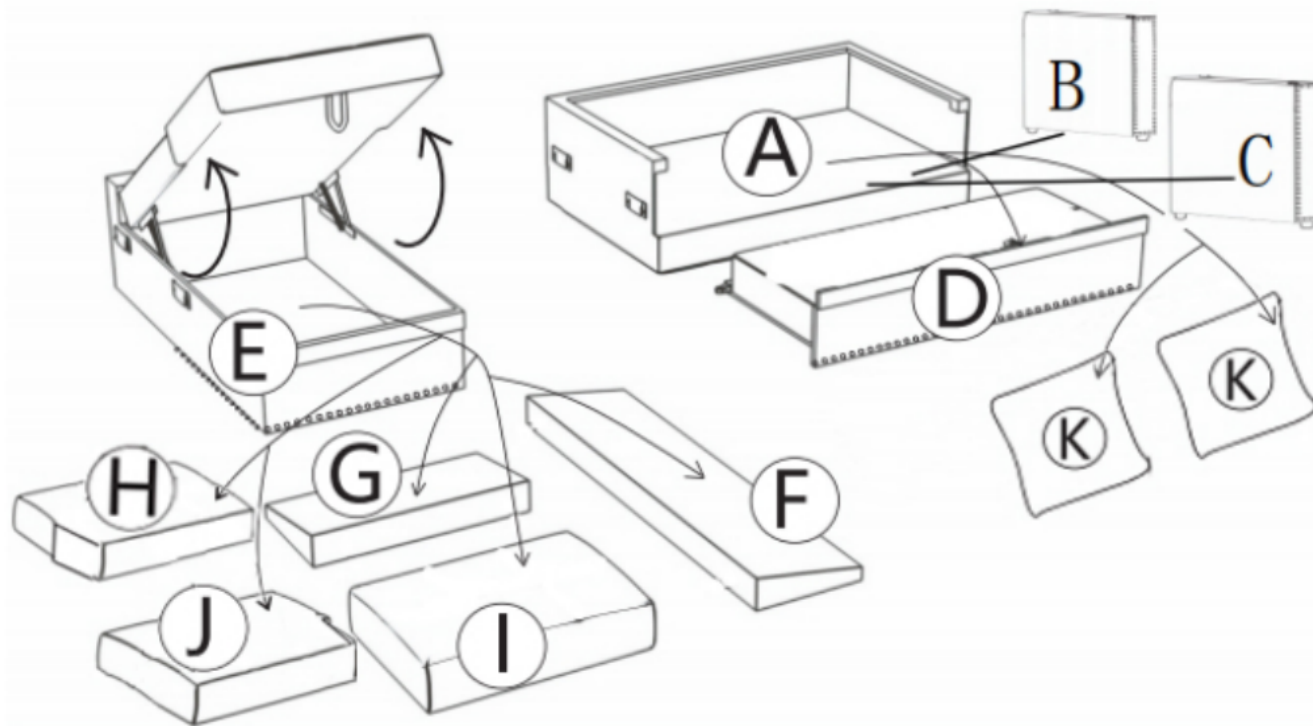
3

x12

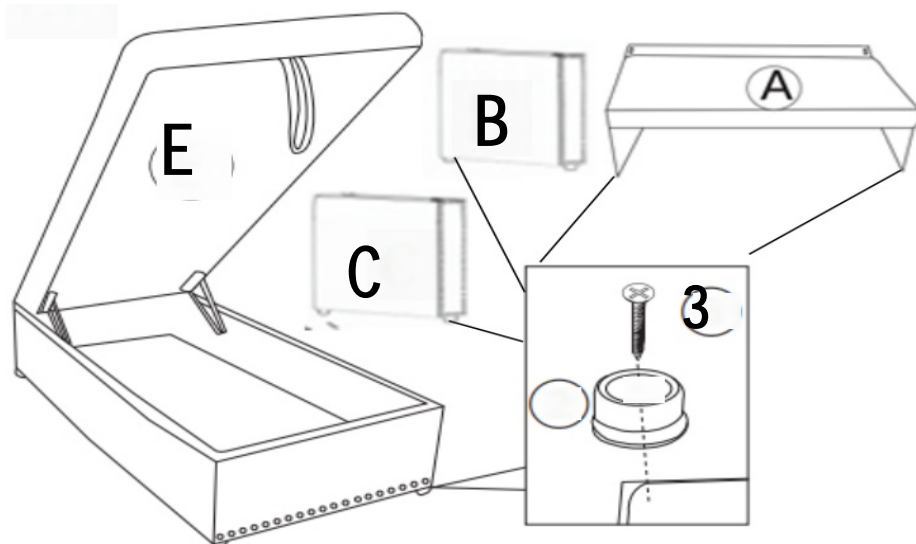


4

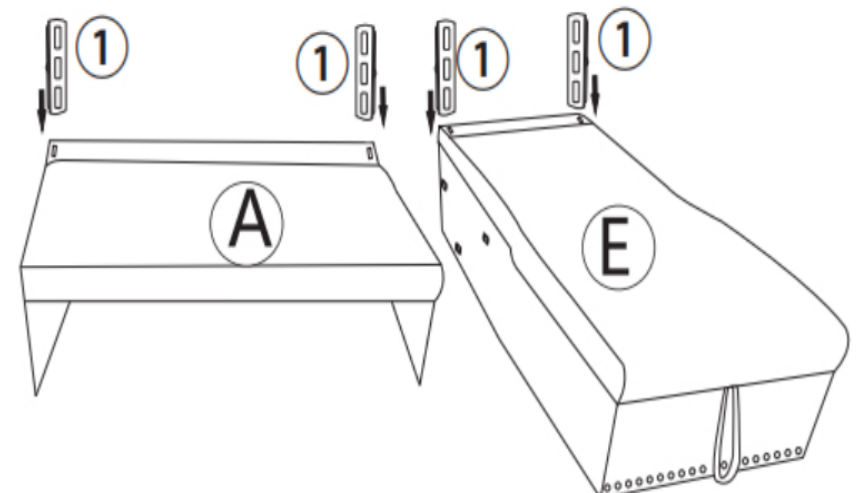
x1



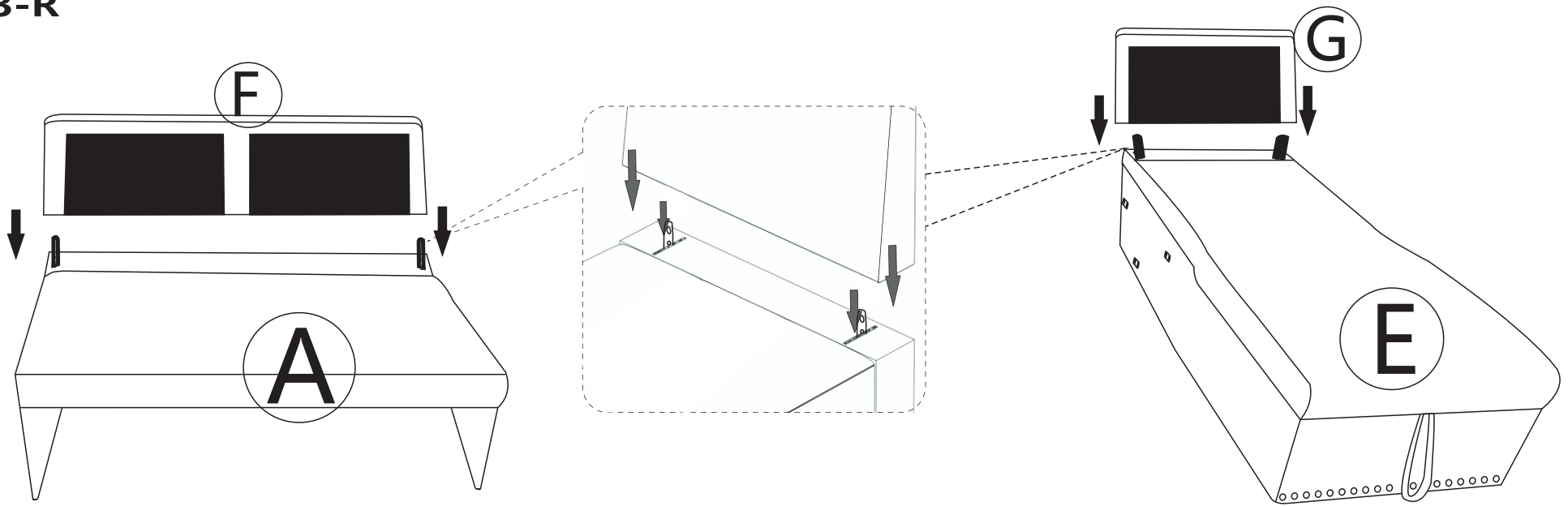
Step1-R



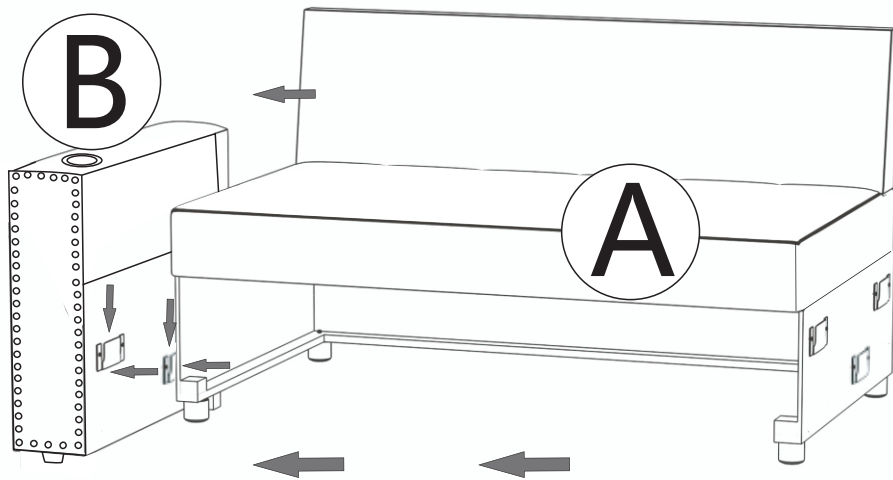
Step2-R



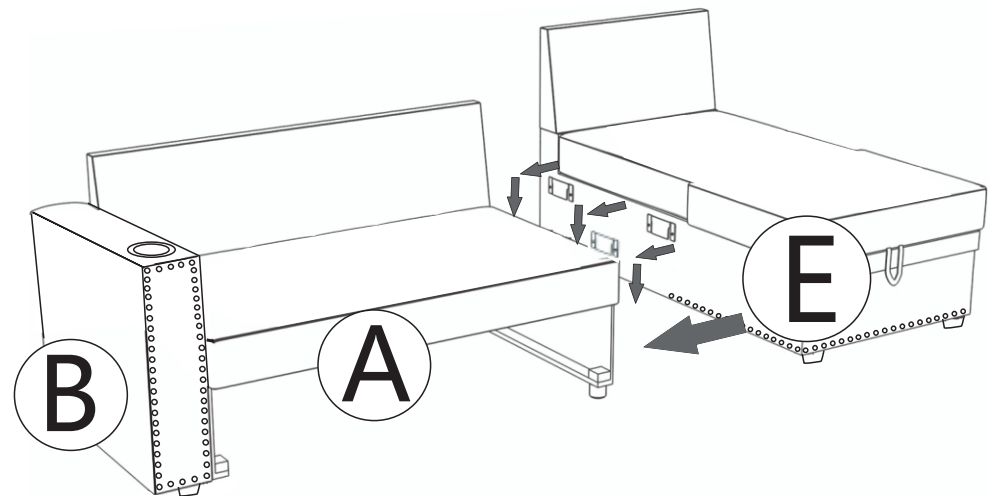
Step3-R



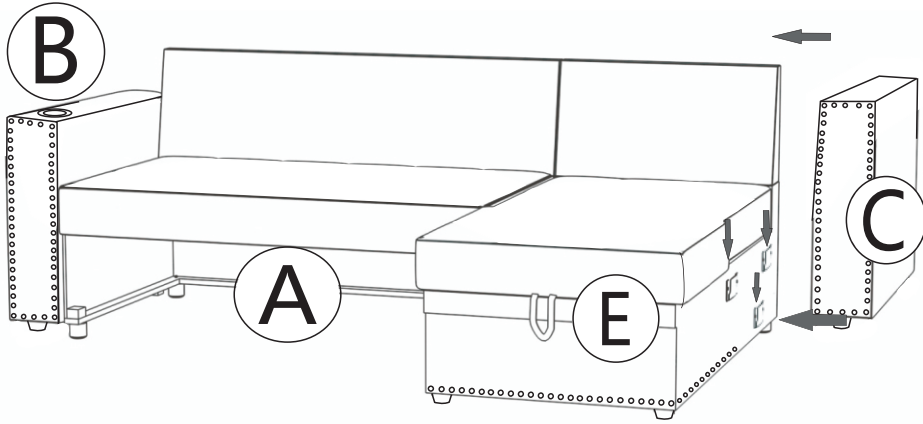
Step4-R



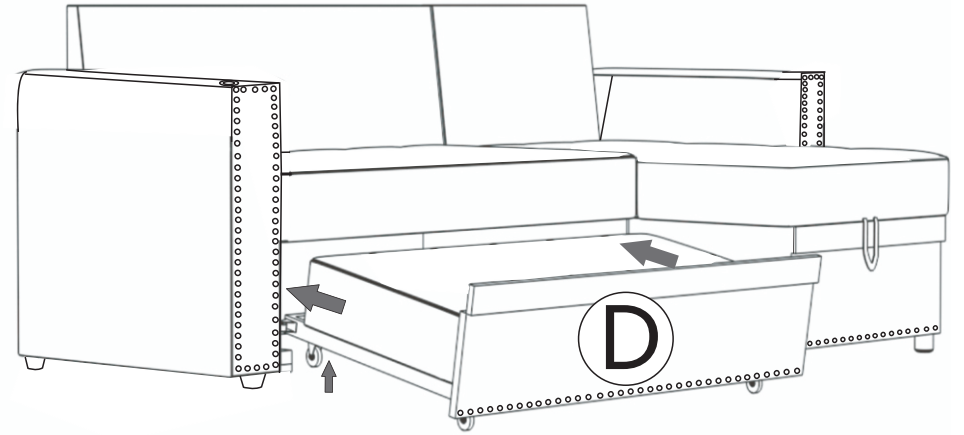
Step5-R



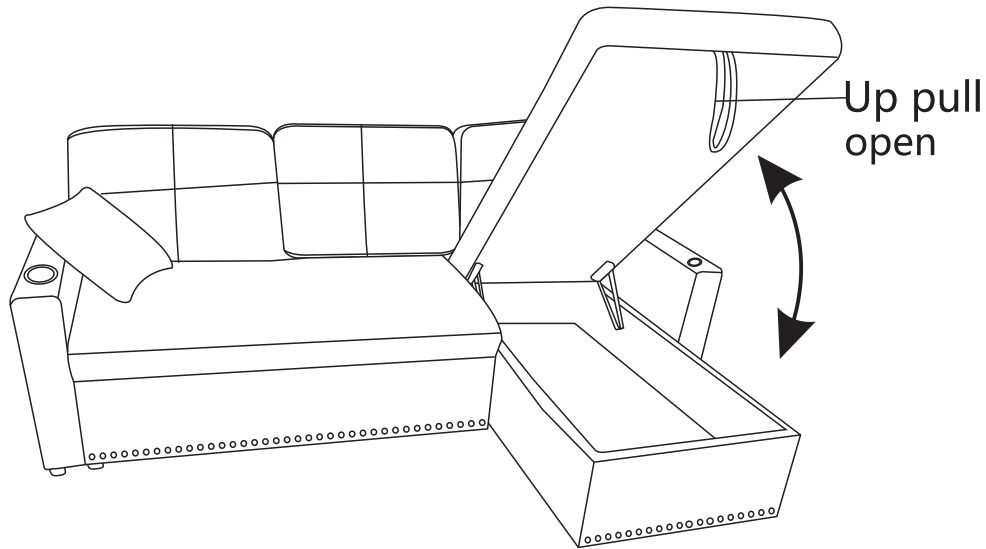
Step6-R



Step7-R



Step8-R



Step9-R

