

INSTALLATION AND CARE GUIDE

SINGLE-HANDLE PULL-DOWN SPRAYER UTILITY FAUCET

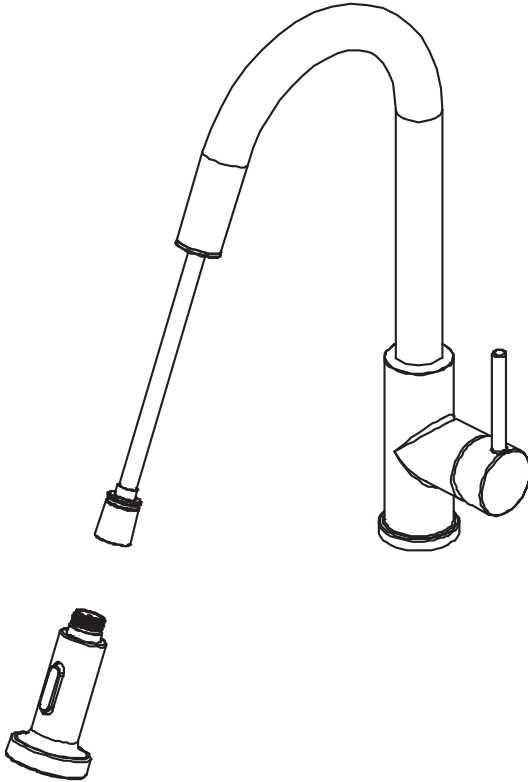


Table of Contents

Important Information	2	Installation	4
Warranty	2	Operation.....	6
Pre-Installation.....	2	Care and Cleaning	7
Planning Installation	2	Troubleshooting.....	8
Tools and Hardware Required	2	Service Parts.....	9
Package Contents	3	Size Chart.....	10

Important Information

- Observe all local plumbing and building codes.
- Cover the sink drain to avoid losing any parts.
- Review the care and cleaning section included in this guide.

Warranty

LIMITED LIFETIME WARRANTY

The manufacturer warrants to the original purchaser that this faucet will be leak and drip free during normal domestic use. If this faucet should ever develop a leak, the manufacturer will provide the parts necessary to put the faucet back in good working condition. The manufacturer warrants to the original purchaser that the faucet will be free from defects in material and workmanship for one (1) year from date of purchase. A replacement for any defective part will be supplied free of charge for installation by the purchaser. Defects of other than authorized parts are not covered by this warranty. This warranty shall be effective from date of purchase as shown on the purchaser's receipt. Some states do not allow limitations on how long a warranty lasts, so the above limitation may not apply to you. This warranty is valid for the original purchaser only and excludes industrial, commercial, or business use of the product, product misuse, product damage due to installation error, whether performed by a contractor, service company, or yourself. Some states, provinces and nations do not allow the exclusion or limitation of incidental or consequential damages, so the above exclusions or limitations may not apply to you. This warranty gives you specific legal rights and you may also have other rights that may vary from state to state, province to province, and nation to nation.

Pre-Installation

PLANNING INSTALLATION

Before beginning the installation of this product, ensure all parts are present. Compare parts with the Package Contents list. If any part is missing or damaged, do not attempt to install the product. Contact Customer Service for replacement parts.

TOOLS AND HARDWARE REQUIRED



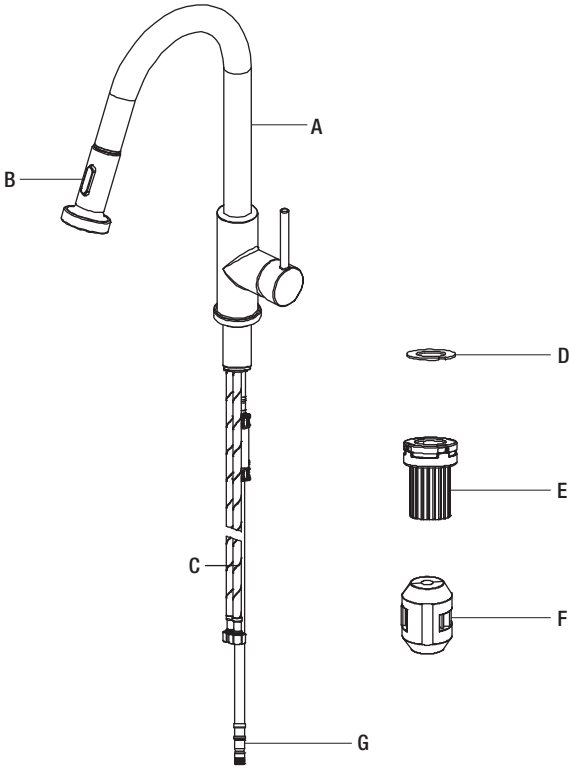
Adjustable
wrench



Safety
goggles

Pre-Installation (continued)

PACKAGE CONTENTS



Part	Description	Quantity
A	Faucet assembly	1
B	Sprayer	1
C	Hose	3
D	Washer	1
E	Fast Mount	1
F	Weight	1
G	Quick conector	1

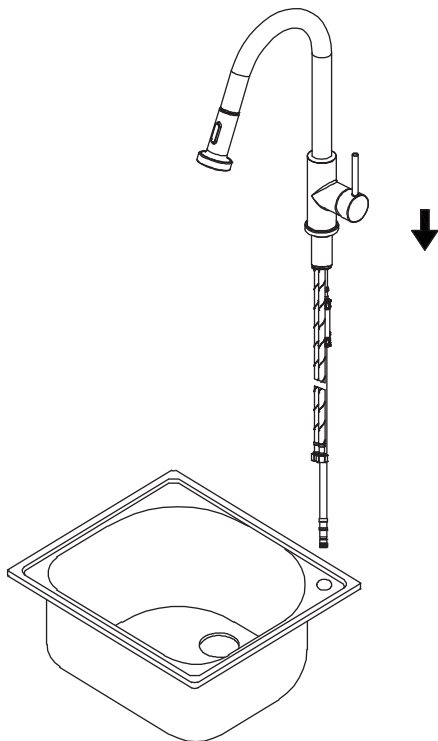
Installation

1 Installing the faucet assembly



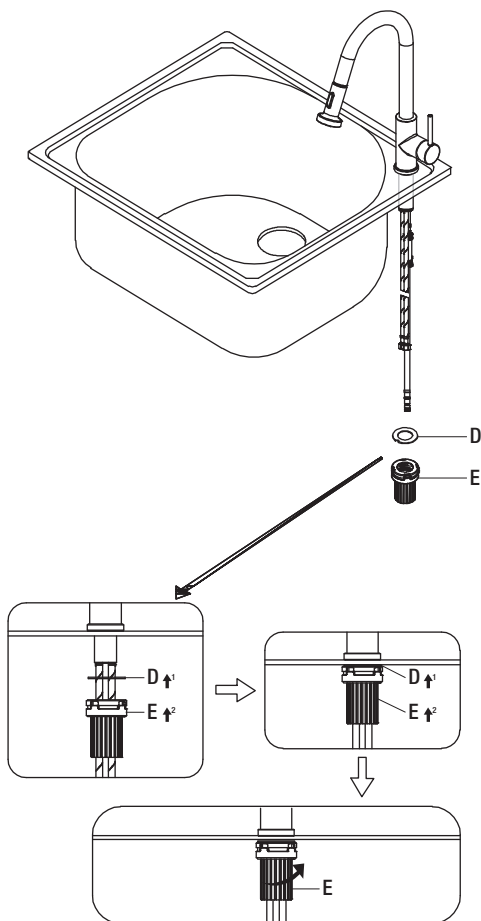
CAUTION: Always shut off the water supply before removing an existing faucet or replacing any part of a faucet. Open the faucet handle to relieve water pressure and ensure that the water is completely shut off.

- Shut off the water supply.
- Insert the faucet body through the hole in the sink.



2 Securing the faucet assembly

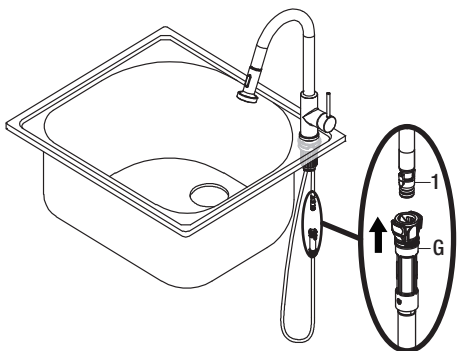
- Install the washer(D).
- From underneath the sink, secure the faucet assembly to the sink with the Fast Mount system (E). Push the Fast Mount system (E) up over the threads until it stops against the bottom of the sink, then hand turn (clockwise) to tighten.



Installation (continued)

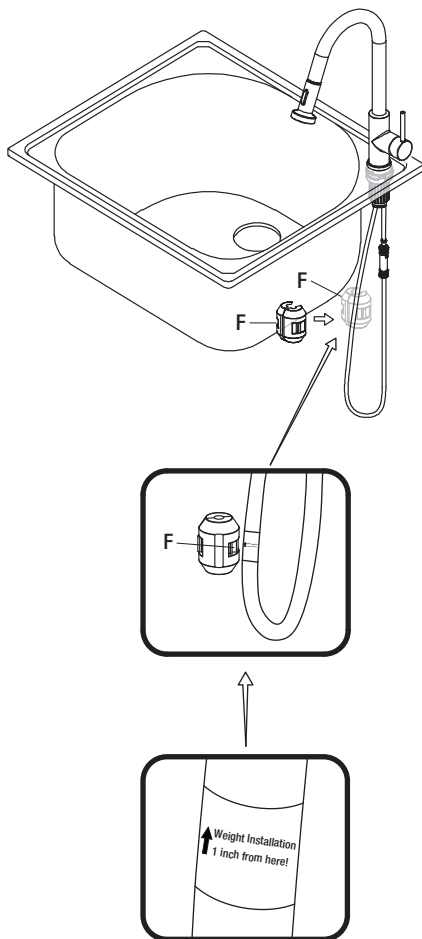
3 Attaching the quick connector to the receiving block

- Push the quick connector (G) firmly upward and attach it to the receiving block (1). Pull down moderately to ensure the connection has been made.



4 Installing the weight

- Open the clasp (F) by hand, place the black sprayer hose in the weight hole (F) according to the weight label position mark, and then lock the clasp (F).



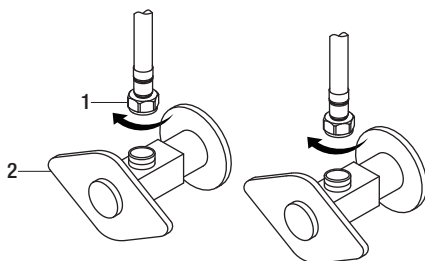
Installation (continued)

5 Making the water supply connections



NOTE: The hot side inlet tube is indicated by a label. Avoid twisting wires together or placing the wires close to each other and damaging.

- Thread the nut (1) on the supply line onto the outlet of the water supply valve (2) and tighten with a wrench. Do not overtighten.



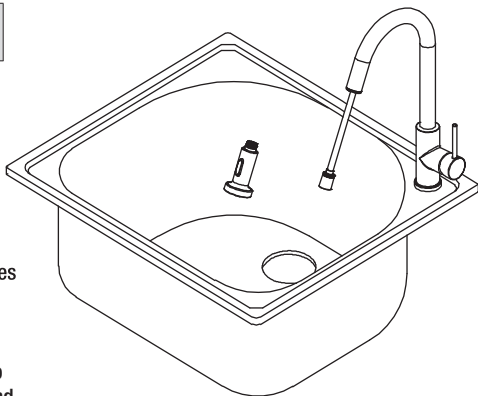
Operation

1 Flushing and checking for leaks



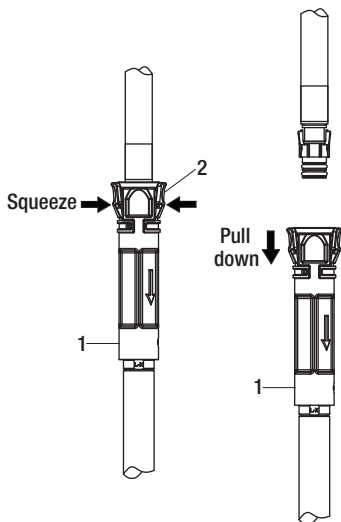
IMPORTANT: After installation is completed, turn on the hot and cold water supplies. Check for leaks.

- Pull the hose assembly out of the spout and remove the spray head by unscrewing it from the hose in a counterclockwise direction. Be sure to hold the end of the hose down into the sink and turn the faucet to the warm position where it mixes hot and cold water.
- Flush the water lines for one minute. This flushes away any debris that could cause damage to internal parts. Check for leaks.
- Re-tighten any connections if necessary, but do not overtighten. Reinstall the spray head by hand tightening it back onto the spray hose in a clockwise direction.



2 Removing the quick connector

- If it is necessary to remove the quick connector (1), squeeze the tabs (2) on the quick connector and then pull down to disconnect.



Care and Cleaning

- To clean, wipe down with a damp cloth and dry with a towel.
- Do not use abrasive cleaners, steel wool, or harsh chemicals when cleaning this faucet, or the warranty will be voided.

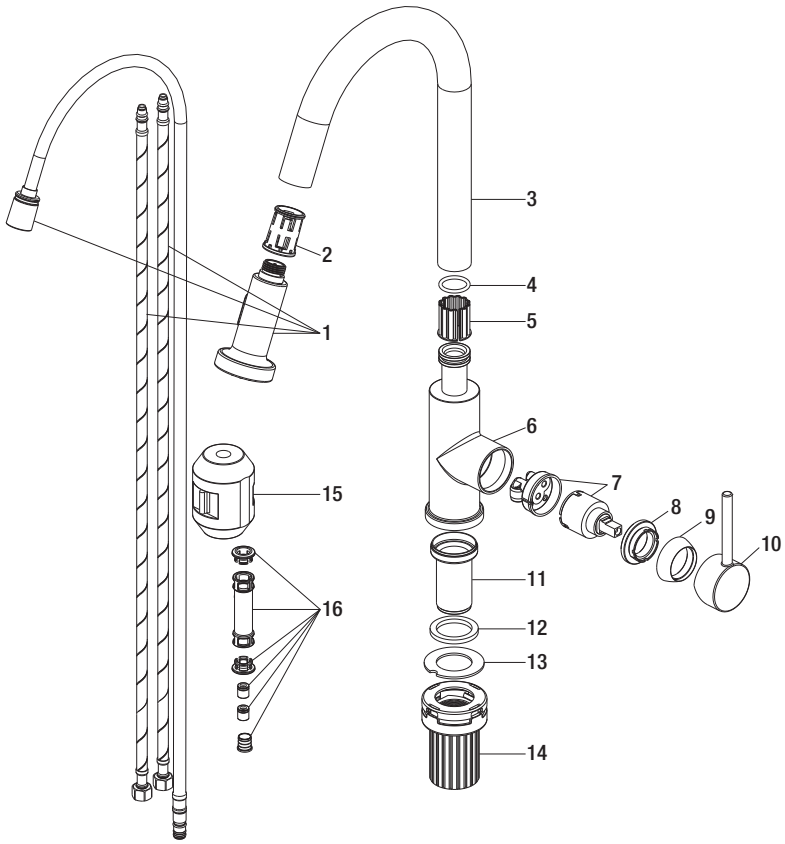
Troubleshooting



NOTE: Refer to the service parts section in this manual for a detailed drawing showing the location of the parts listed below.

Problem	Possible Cause	Solution
There are leaks underneath the handle.	The bonnet nut has come loose and the o-ring on the cartridge is dirty or damaged.	<input type="checkbox"/> Tighten the bonnet nut. Clean or replace the o-ring.
There are leaks from the hose underneath the deck.	The hose and discharge tube connection may be loose.	<input type="checkbox"/> Tighten the connection between the discharge tube and hose.
The hose does not retract.	The weight is not installed in the appropriate position.	<input type="checkbox"/> Reinstall or readjust the weight.
The water pressure is low.	The connector underneath the deck is clogged with debris.	<input type="checkbox"/> Turn off the water supply and disconnect the connector. <input type="checkbox"/> Unscrew the connector and clean under running water. <input type="checkbox"/> Screw the connector back. <input type="checkbox"/> Test water flow. If water pressure is still low then replace the connector.
There is no hot or cold water.	The water inlet hose was accidentally kinked during installation and is limiting the water flow through.	<input type="checkbox"/> Reinstall the water inlet hose.
There is a low flow of water.	The screen filter in the spray head is dirty.	<input type="checkbox"/> Turn off the water supply at angle stop and unscrew the spray head from spray hose. <input type="checkbox"/> Clean the screen filter in the spray head under running water.

Service Parts



Part	Description
1	Spray head and hose
2	Fixing sleeve
3	Spout
4	O-ring
5	Snap ring
6	Body
7	Cartridge
8	Cartridge cover

Part	Description
9	Cap
10	Handle assembly
11	Sleeve
12	O-ring
13	Washer
14	Fast Mount
15	Weight
16	Quick connection assembly

Size Chart

