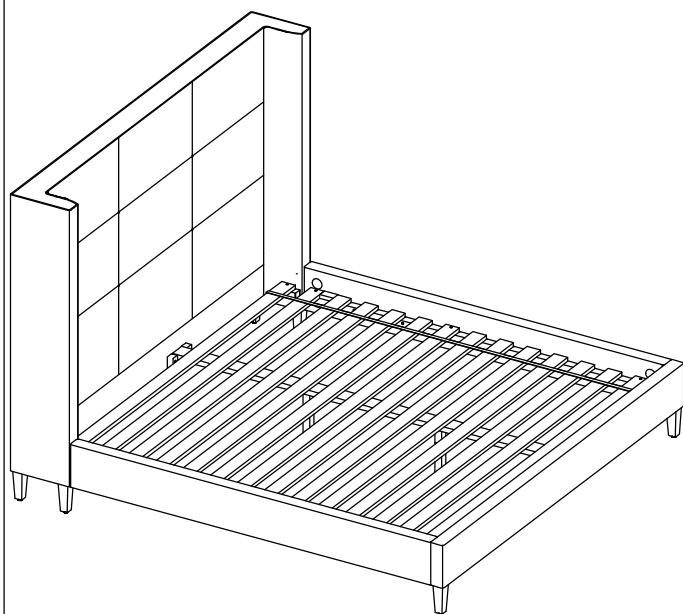






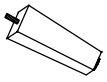
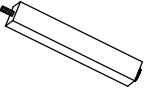



# ASSEMBLY INSTRUCTION

## QUEEN BED

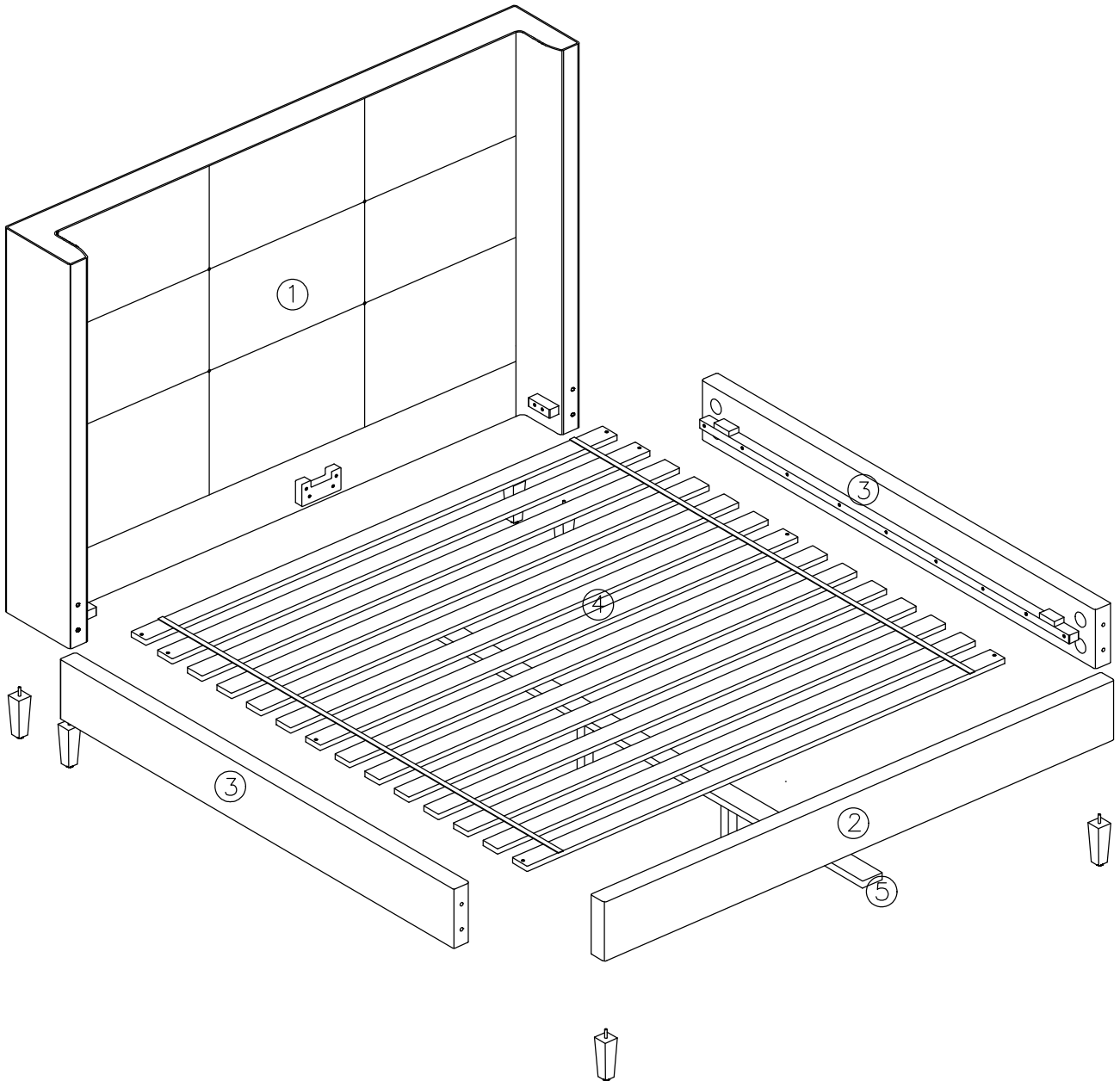


### HARDWARE LIST

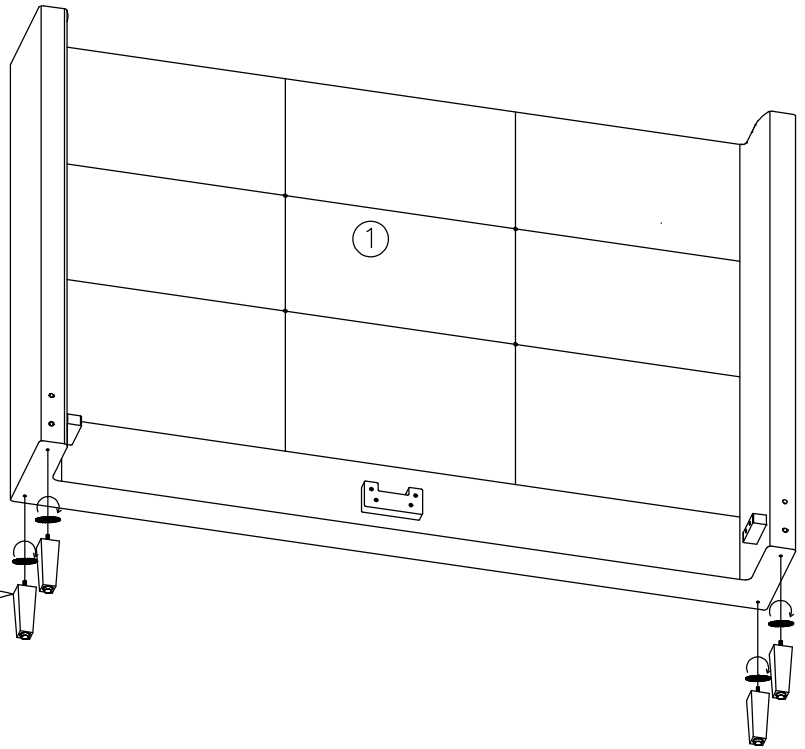
A		BOLT Ø8 x100mm	8
B		HEXAGON NUT M8	8
C		ACR WASHER 15 x30mm	8
D		WRENCH	1
E		WOOD SCREW Ø4 x25mm	8
F		SIDE COVER	8
G		FOOT LEGS	6
H		CENTER LEGS	2
I		LOCK WASHER Ø40mm	6

1

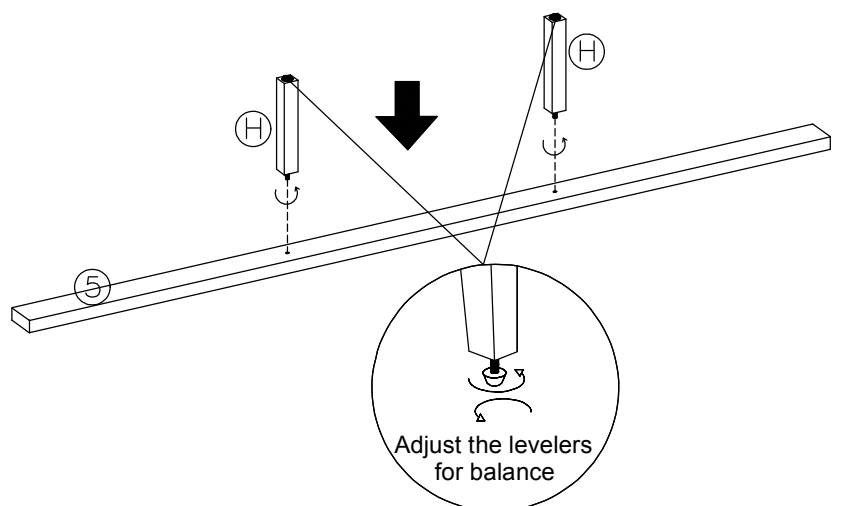
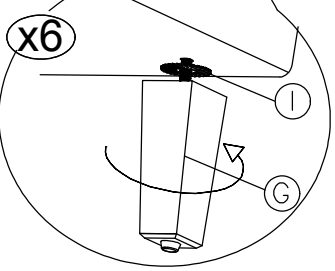
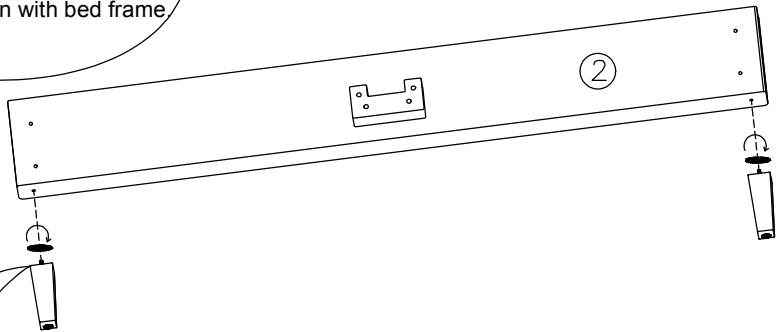
# COMPONENTS



2

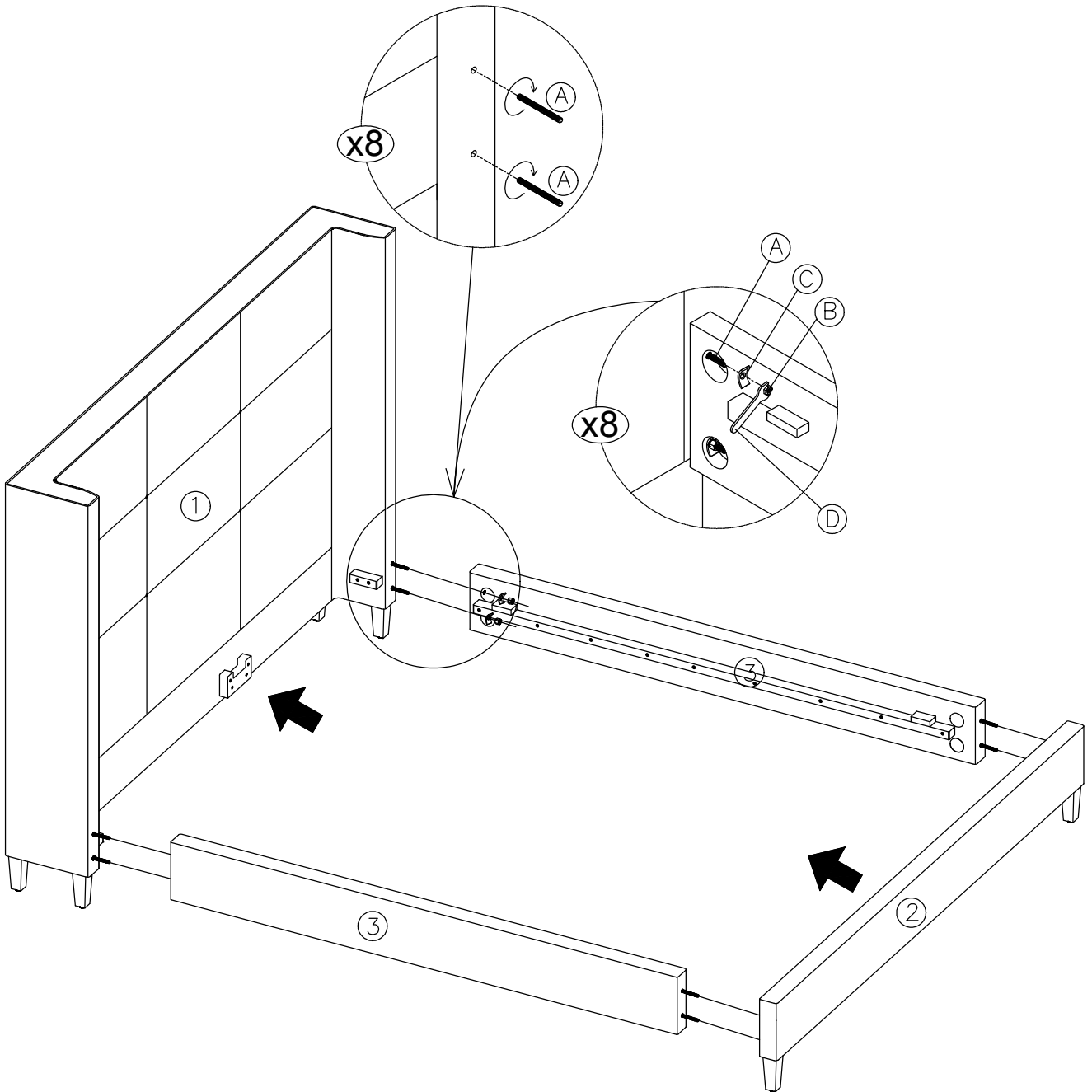


Tighten the legs properly to make sure legs align with bed frame

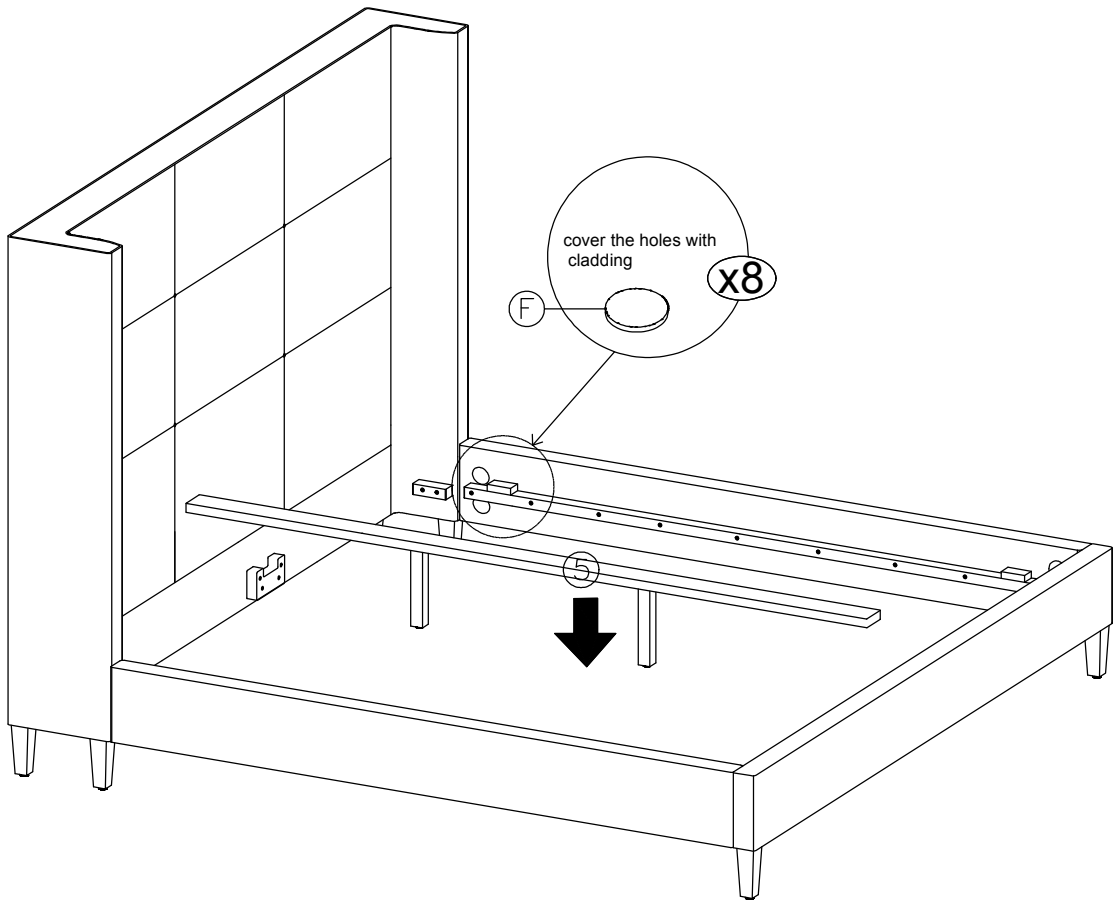


Adjust the levelers for balance

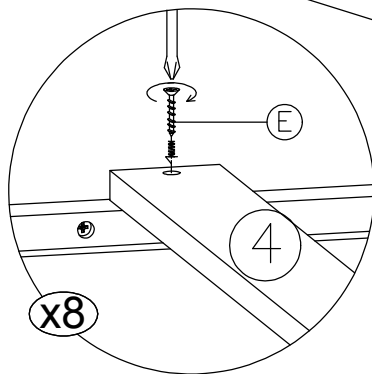
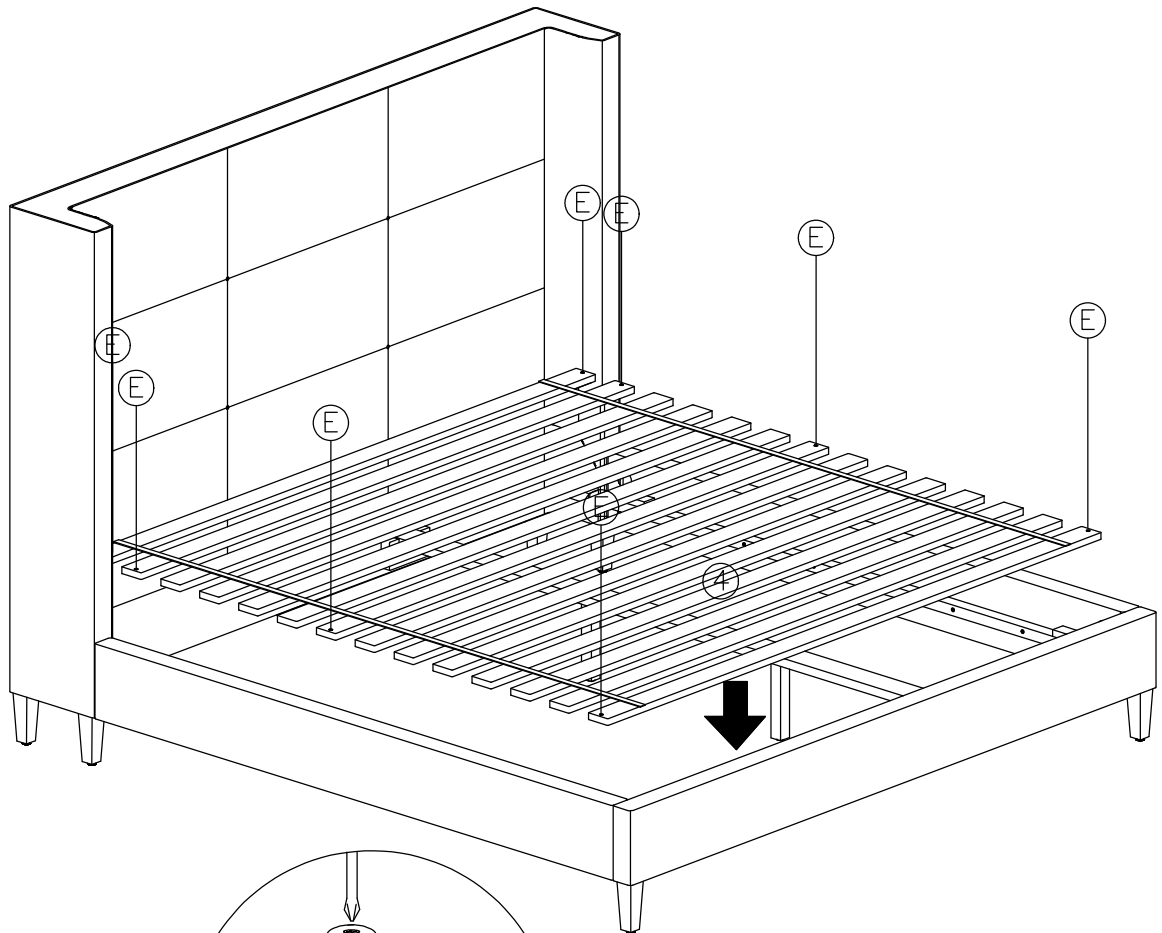
3



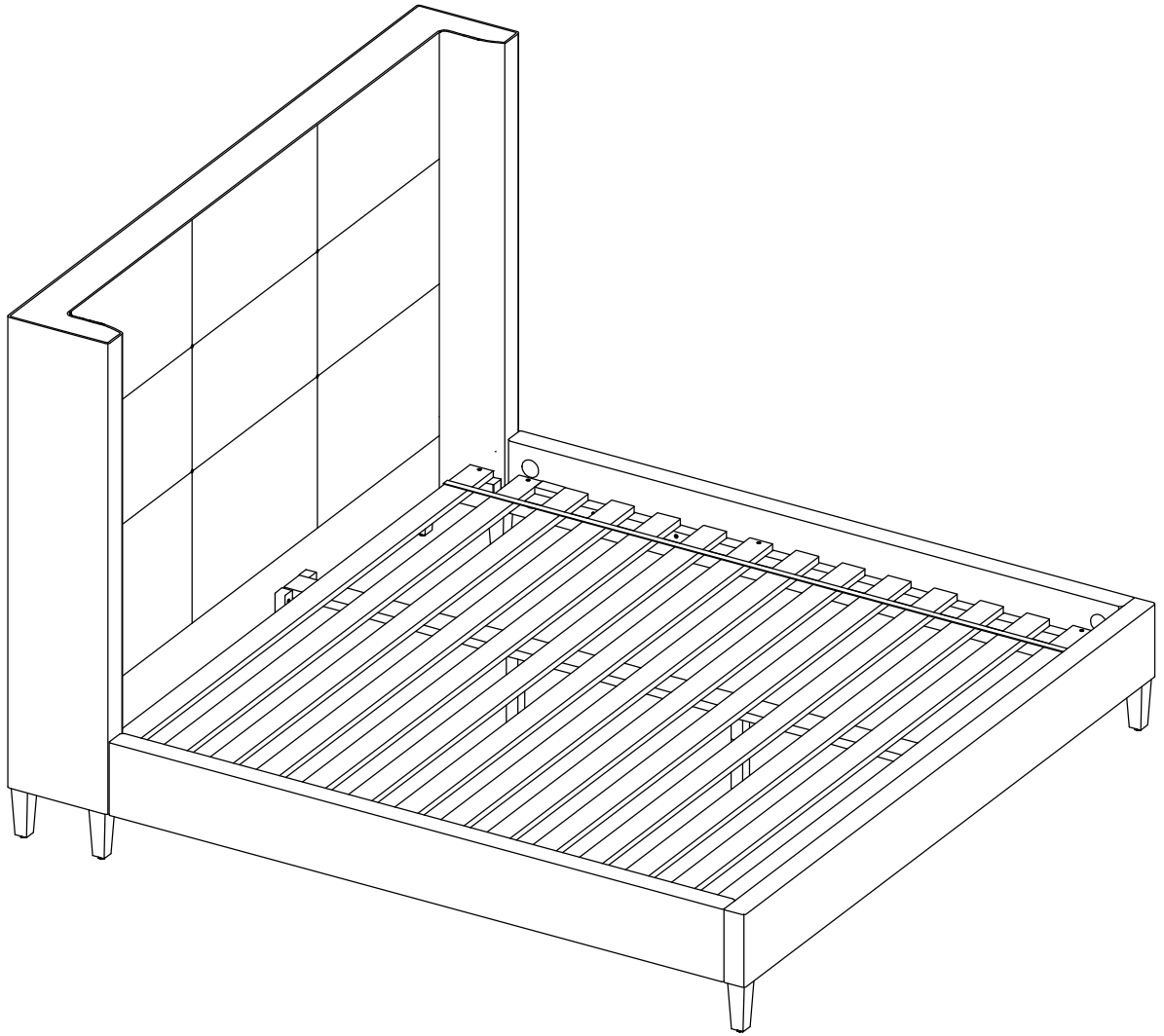
4



5



6



FINISHED

PAGE 7