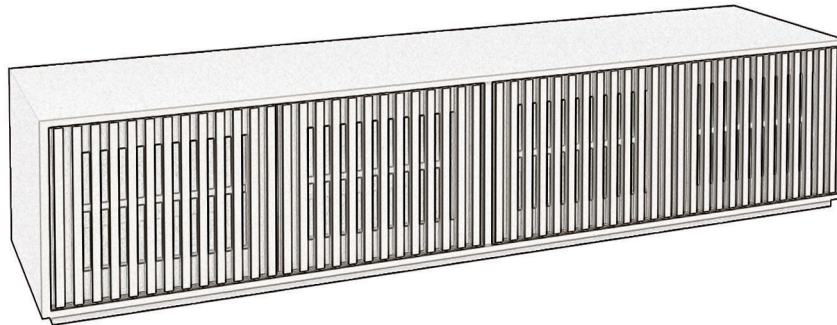


PRODUCT CARE HANDBOOK

a guide to protect your product



Made of 100%
recyclable materials



Thank you for purchasing this product. Please read these instructions fully before starting assembly, then follow the simple step by step guide.

TOP TIPS BEFORE YOU START!

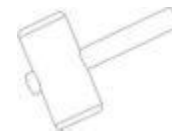
1. Please check that all parts & hardware are present before you start the assembly of your furniture. Do not destroy any of the packaging until you are certain that you have all the necessary parts for assembly.
2. For ease and speed of assembly, we recommend that before you commence each step of the assembly, please identify all the parts required for that step.
3. We recommend that where possible, all items are assembled near to the area in which they will be placed in use, to avoid moving the product unnecessarily once assembled.
4. For the protection of your furniture, particularly items of high gloss finish, we recommend that the product is placed on a protected surface during assembly to prevent any damage.
5. During assembly please take care not to over-tighten any fittings, as this may damage the product.
6. Keep children and animals away from the work area, small parts could cause choking if swallowed.

Tools Required For Assembly

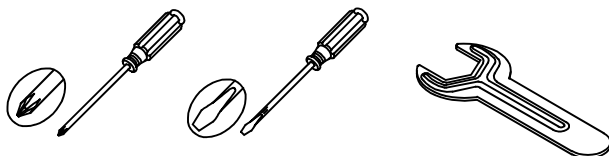


DO NOT USE POWER TOOLS TO ASSEMBLE THIS PRODUCT. USE OF POWER TOOLS WILL INVALIDATE ANY CLAIM AND MAY DAMAGE THIS PRODUCT MAKING IT UNSAFE.

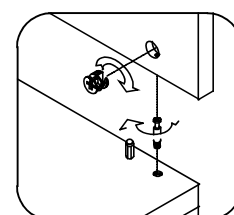
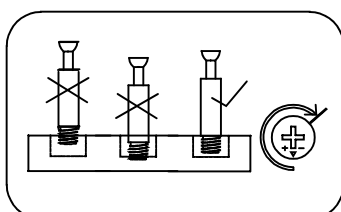
Rubber Hammer

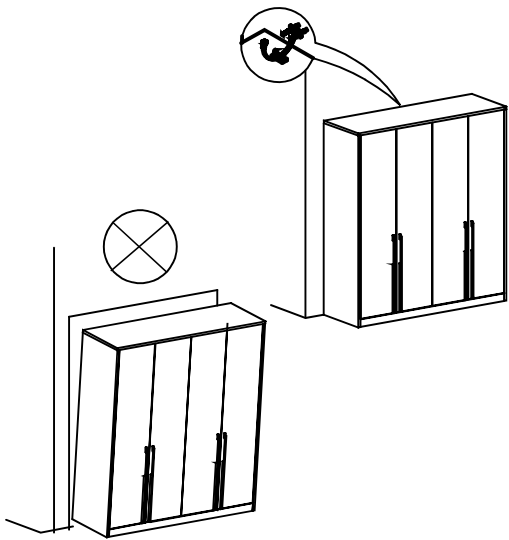


Self-provided general tool diagram:

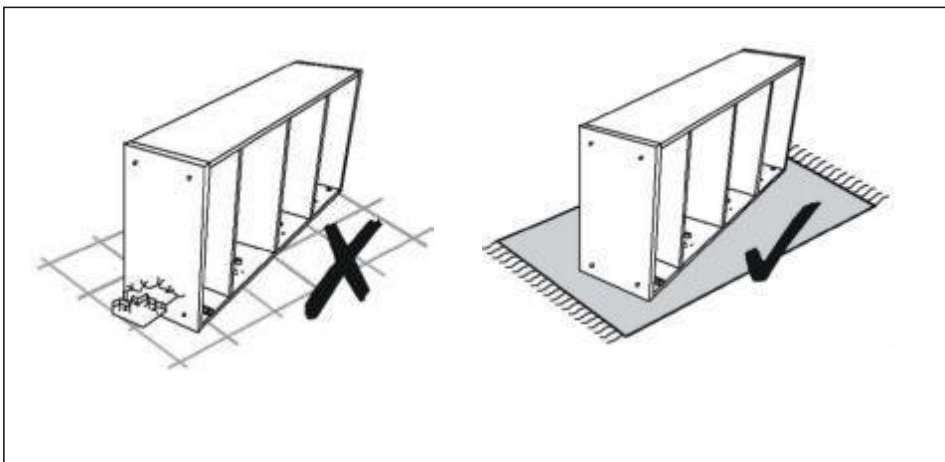
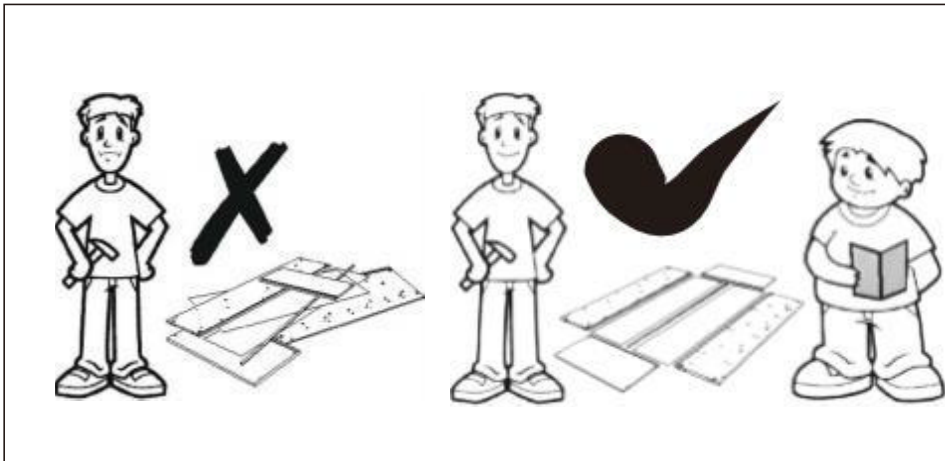


Tape Measure

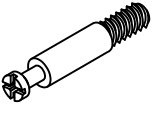

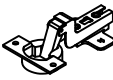


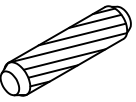
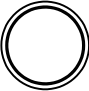
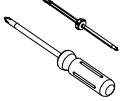
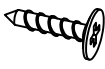




matters needing attention

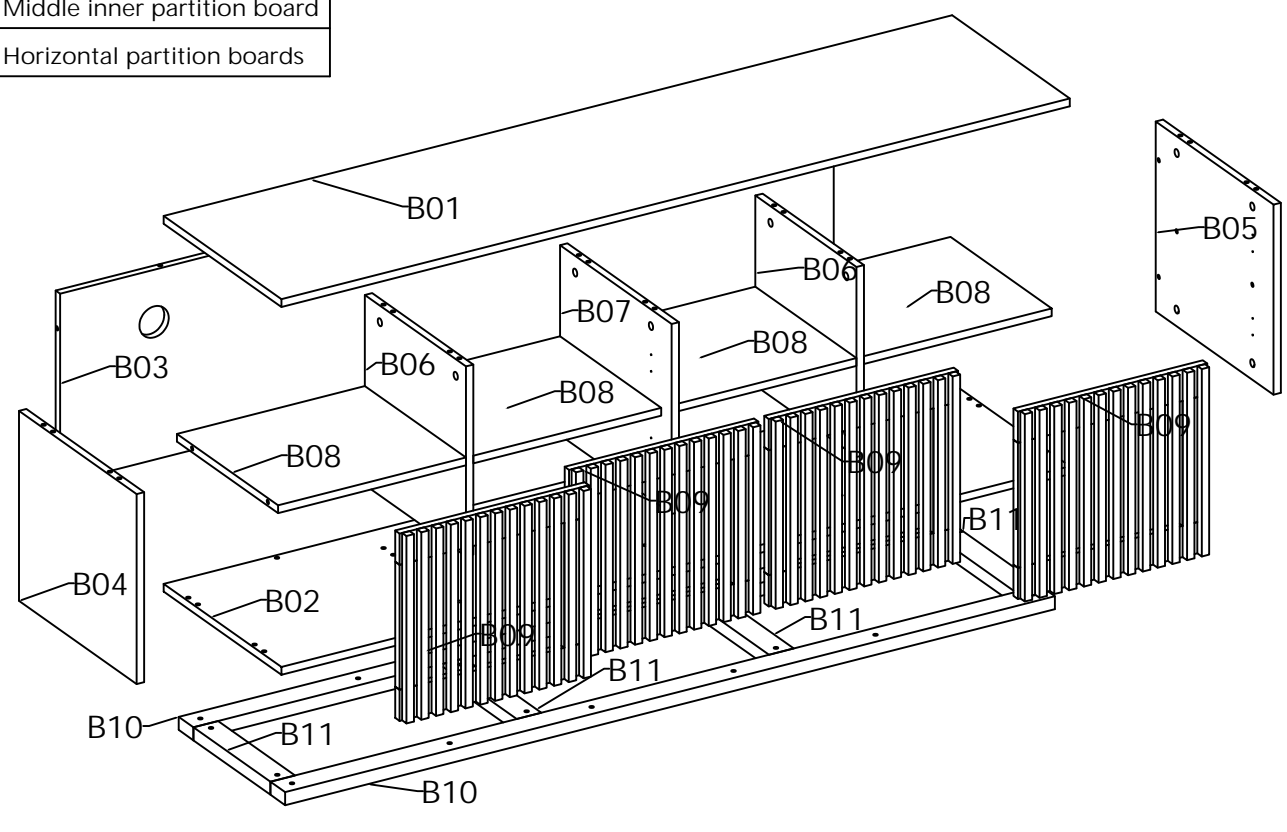


TV Cabinet - Hardware List

<p>H1101</p>  <p>Cam lock screw Φ6*40</p> <p style="text-align: right;">48PCS</p>	<p>H1201</p>  <p>Cam lock nut</p> <p style="text-align: right;">48PCS</p>	<p>H2203</p>  <p>Large bending damping hinge</p> <p style="text-align: right;">8PCS</p>	<p>H2525</p>  <p>Single adhesive felt pad Φ20</p> <p style="text-align: right;">8PCS</p>
<p>H1428</p>  <p>Self tapping nail 3.5 * 35</p> <p style="text-align: right;">20PCS</p>	<p>H1113</p>  <p>Wooden pin Φ 8 * 40</p> <p style="text-align: right;">20PCS</p>	<p>H4208</p>  <p>Cable hole cover</p> <p style="text-align: right;">2PCS</p>	<p>HV0003</p>  <p>2 in 1 Screwdriver</p> <p style="text-align: right;">1PCS</p>
<p>H1402</p>  <p>Self tapping nail 3.5 * 14</p> <p style="text-align: right;">48PCS</p>			

TV Cabinet - Board List

B01*1 Top board	B09*4 Doors
B02*1 Bottom board	B10*2 Long strip bars
B03*1 Back board	B11*4 Short strip bars
B04*1 Left Board	
B05*1 Right Board	
B06*2 Left and right inner partition boards	
B07*1 Middle inner partition board	
B08*4 Horizontal partition boards	

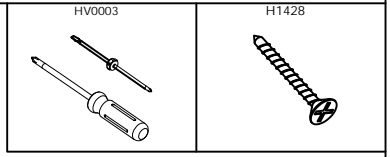
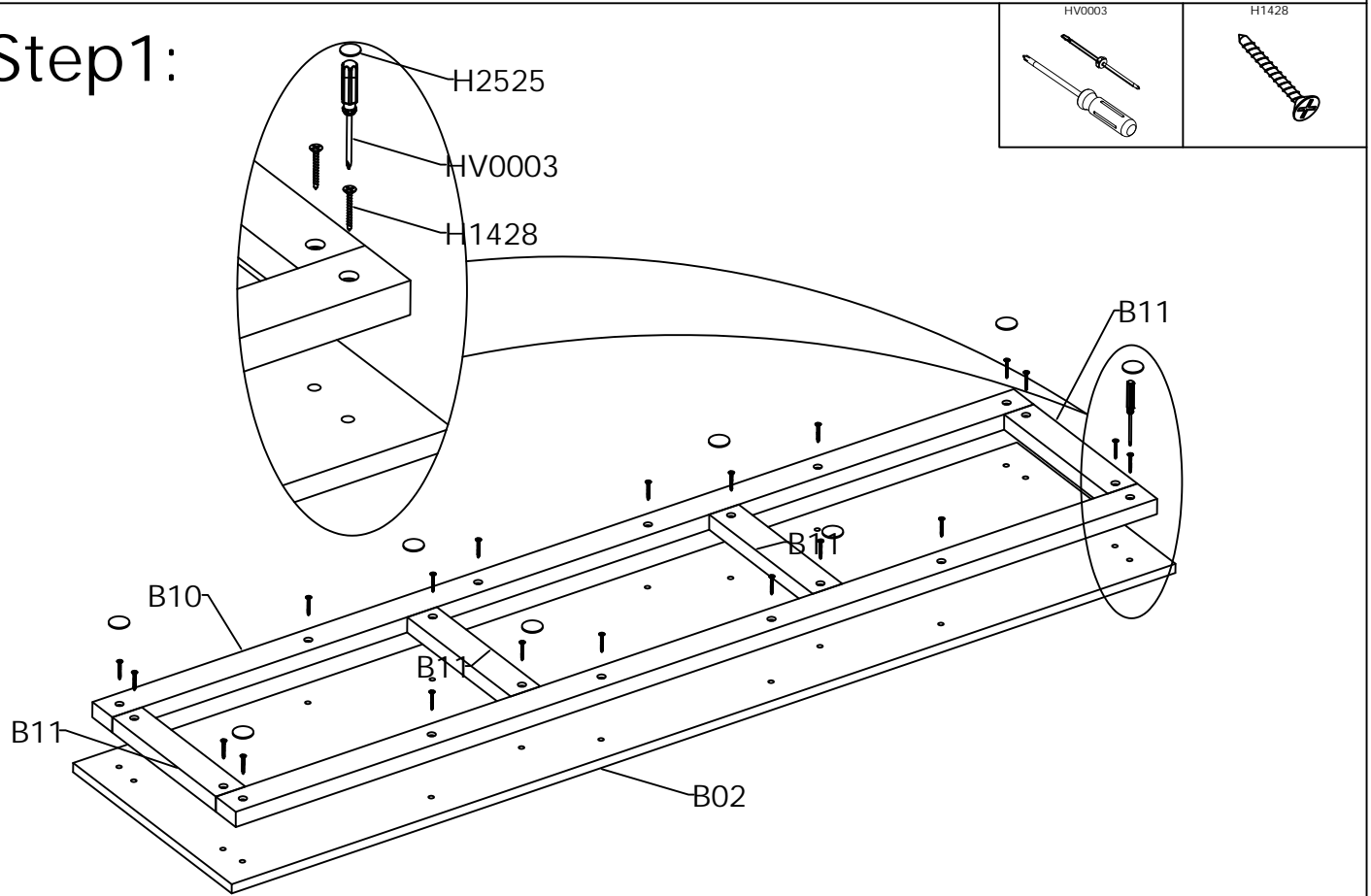


The diagram illustrates the assembly of the TV cabinet. It shows the following components and their labels:

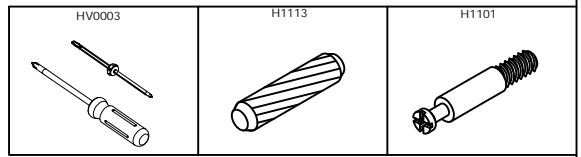
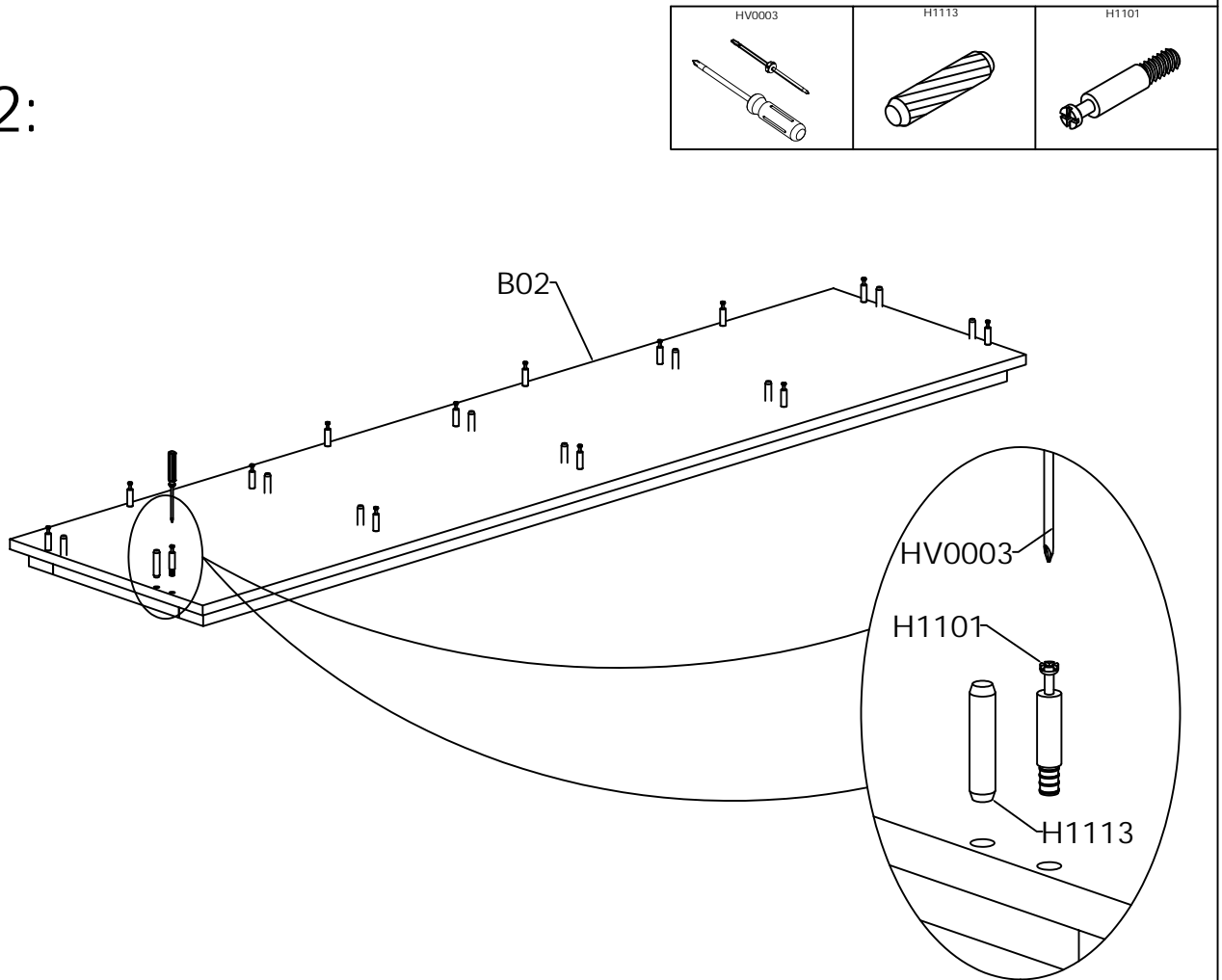
- B01**: Top board
- B02**: Bottom board
- B03**: Back board
- B04**: Left board
- B05**: Right board
- B06**: Left and right inner partition boards
- B07**: Middle inner partition board
- B08**: Four horizontal partition boards
- B09**: Four doors
- B10**: Two long strip bars
- B11**: Four short strip bars

TV Cabinet - Assembly Steps

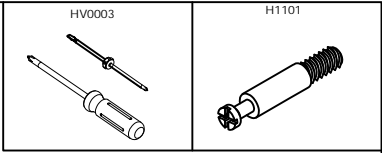
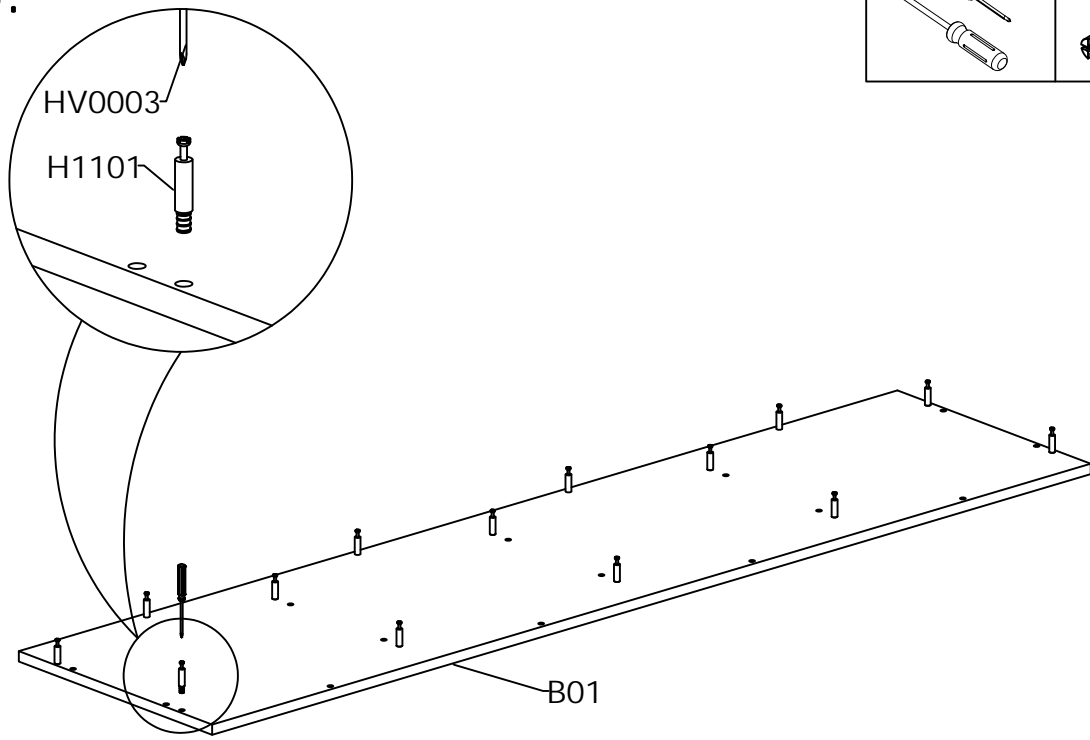
Step1:



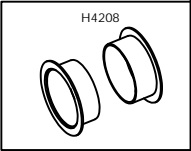
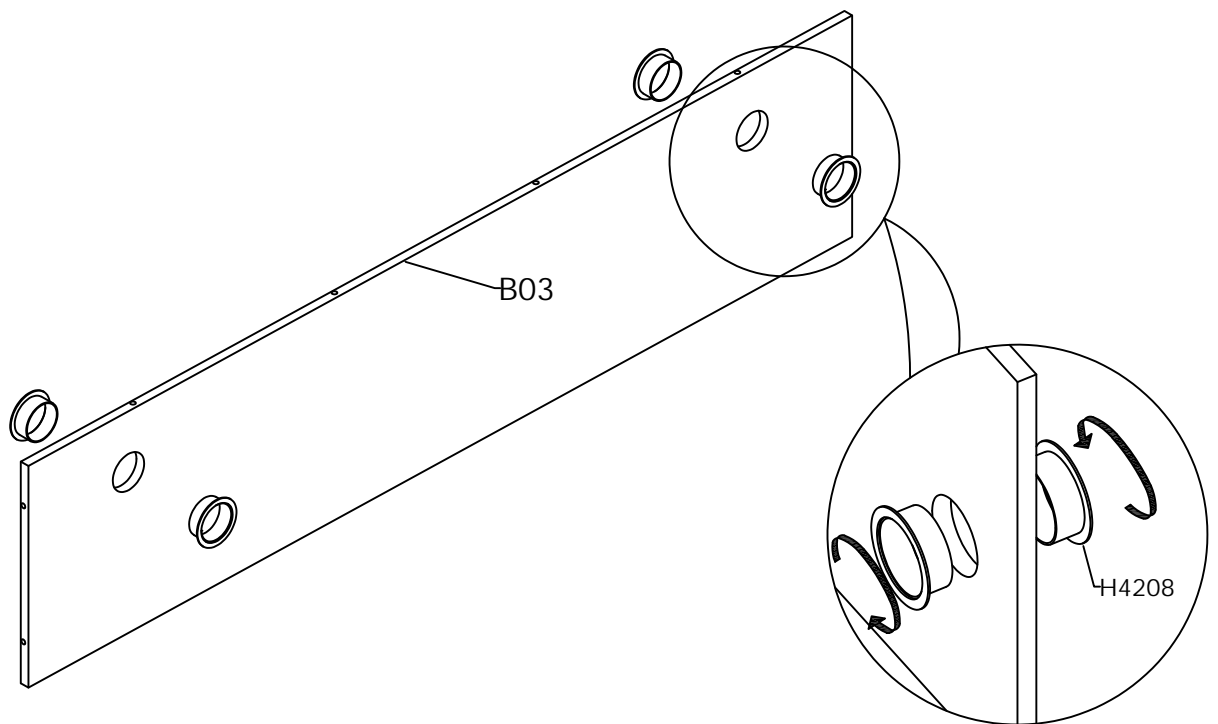
Step2:



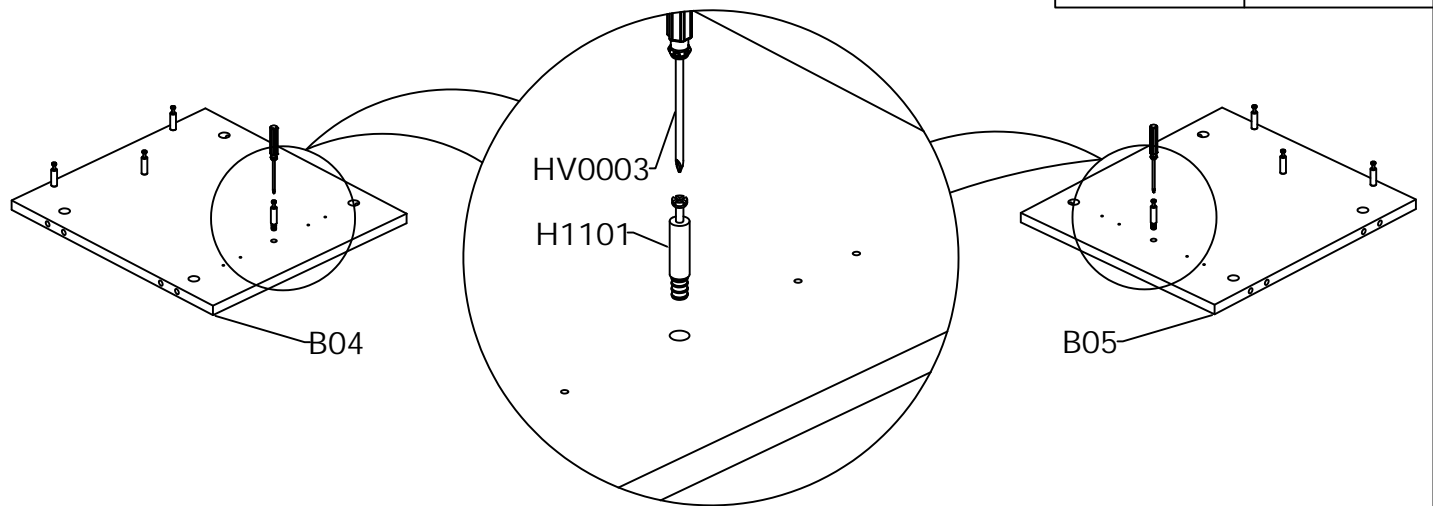
Step3:



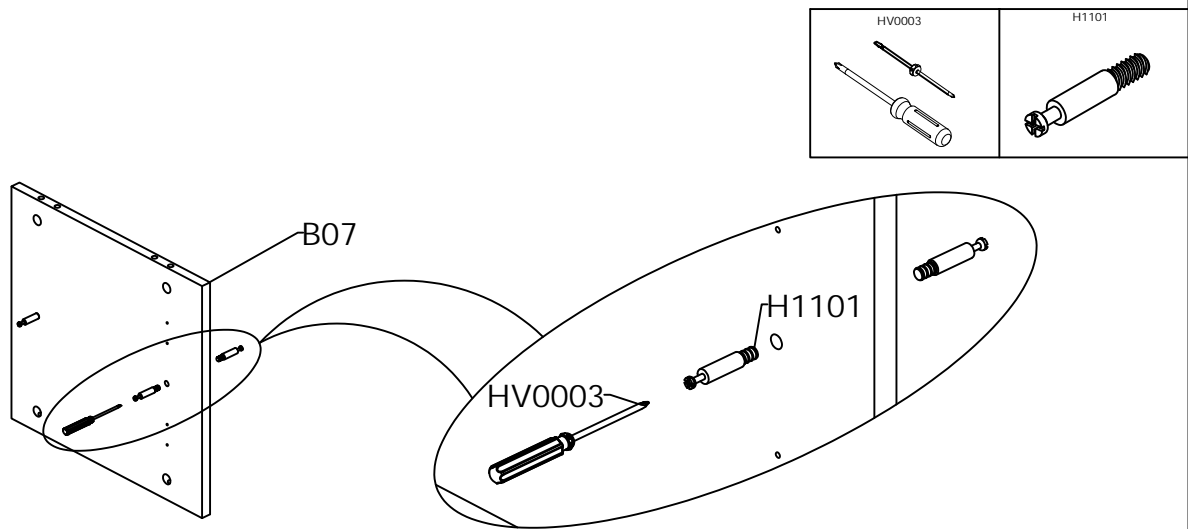
Step4:



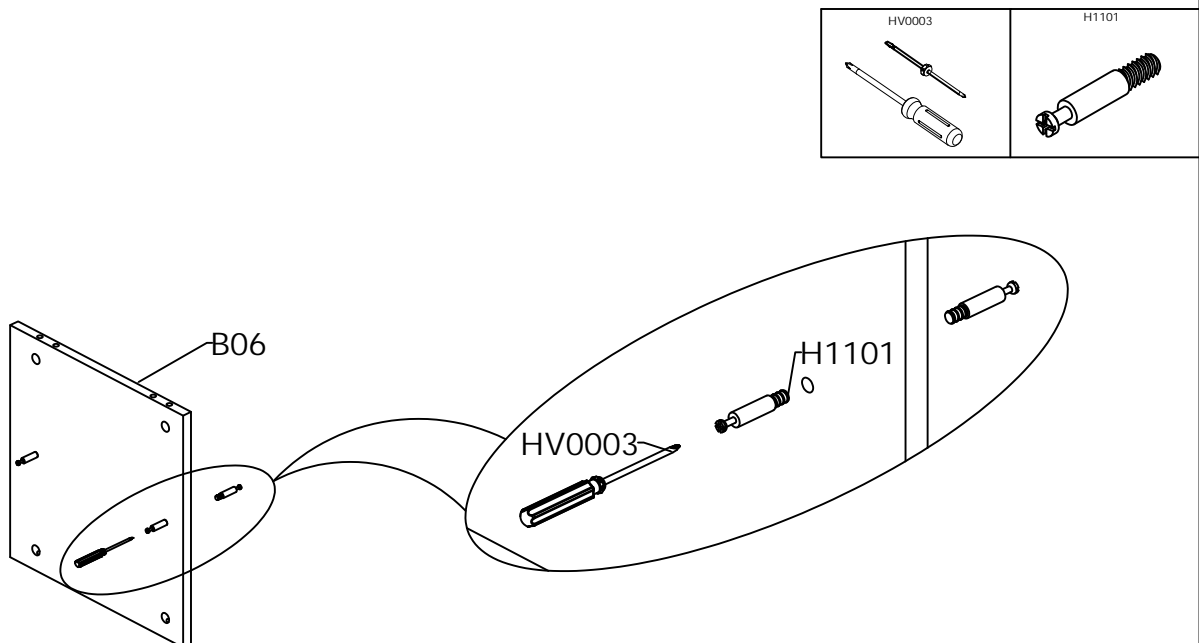
Step5:



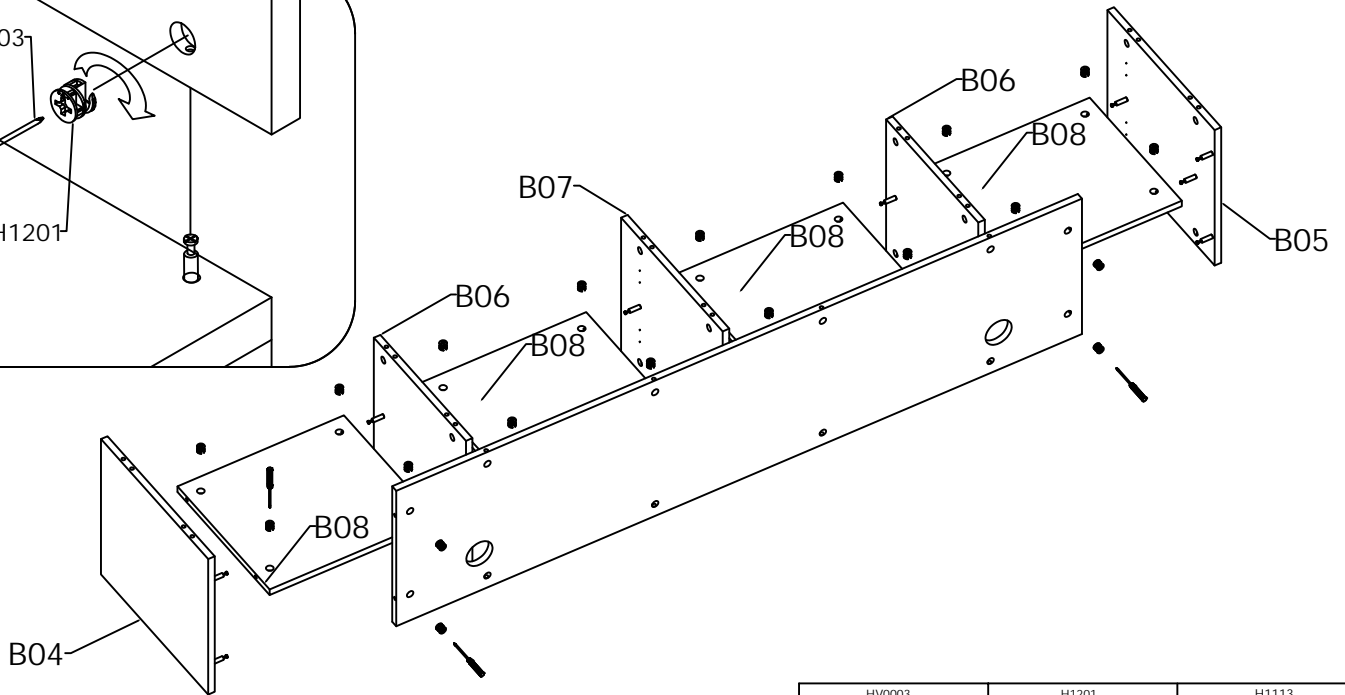
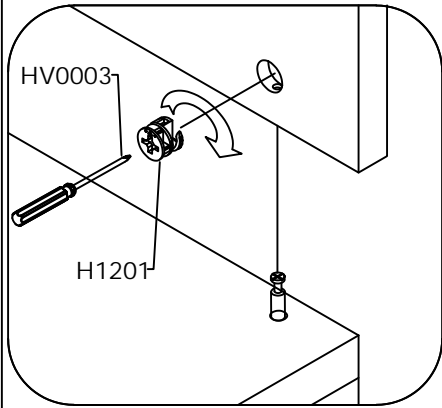
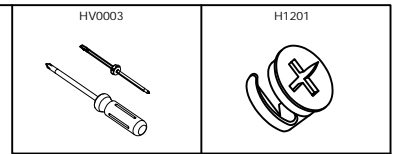
Step6:



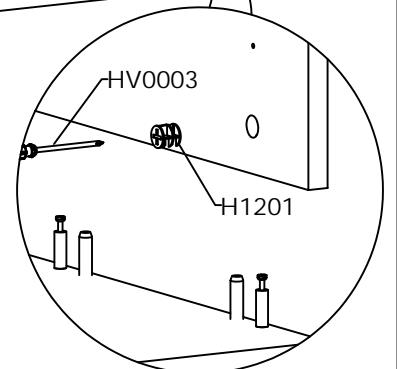
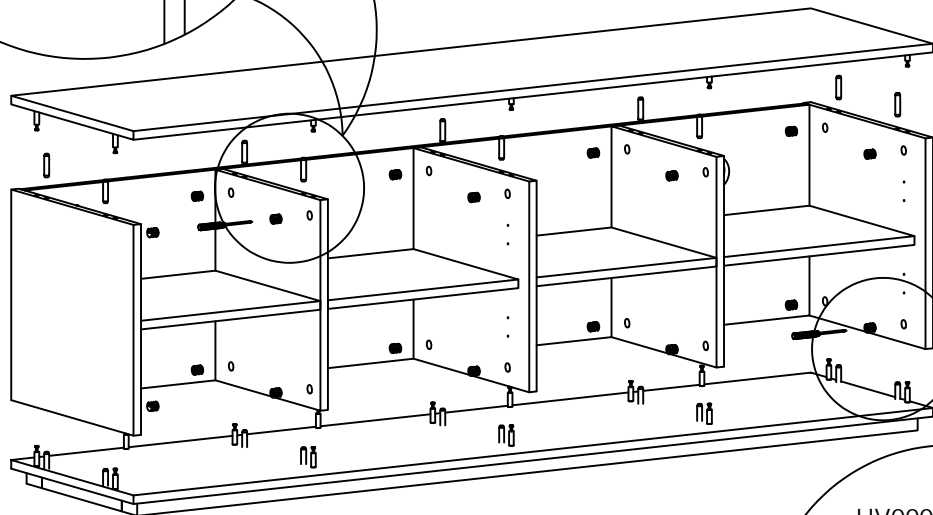
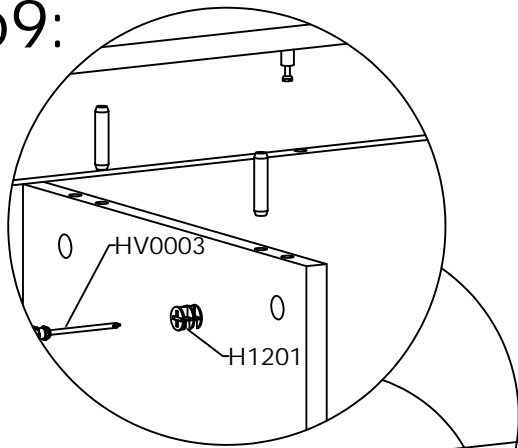
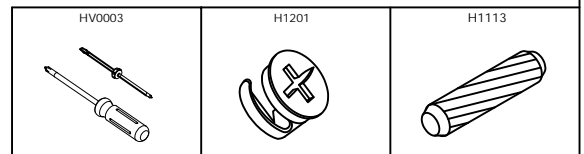
Step7:



Step 8:



Step 9:



Step 10:

