

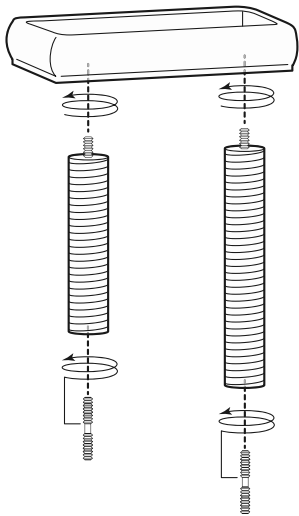
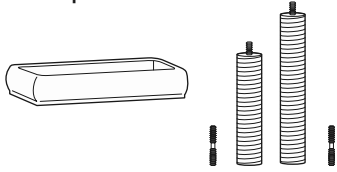
# Leopard Lounge

## read first REVIEW BEFORE ASSEMBLY

• **TOOLS:** Allen wrench is included. No other tools are necessary.

For assistance or replacement, please contact us

**1** Attach **SCRATCHING POSTS** to the **DAY BED**. You will need these pieces:



LEFT SIDE:

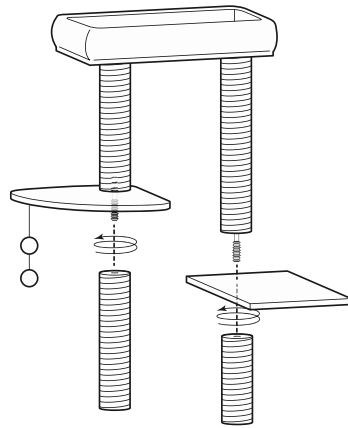
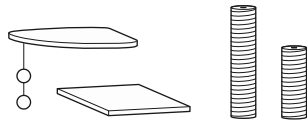
Twist a **middle-height** post with screw-end into the hole under the day bed.

Twist the two-ended screw post into the bottom—up to where the screw thread stops.

RIGHT SIDE:

Twist the **tallest** post into the hole under the day bed, and then add the two-ended screw post into the bottom.

**2** Attach the **PLATFORMS** and lower **SCRATCHING POSTS**. You will need these pieces:



LEFT SIDE:

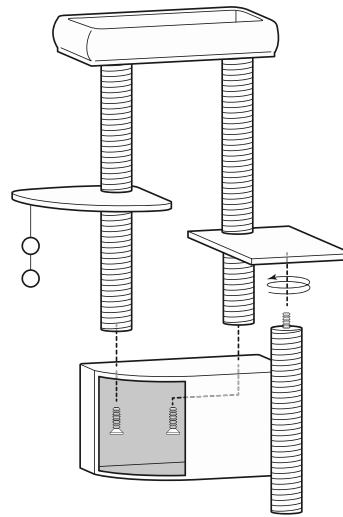
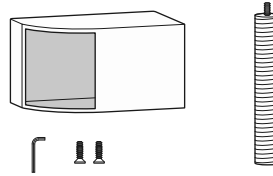
Insert the screw post through the quarter-round toy platform.

Twist the **middle-height** post without screw-end onto the screw post.

RIGHT SIDE:

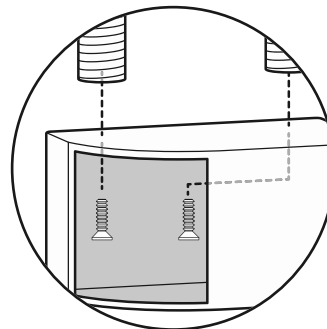
Insert the screw post through the rectangle platform. Twist the **shortest** post onto the screw post.

**3** Attach the **HIDEAWAY** & last **SCRATCHING POST**. You will need these pieces:



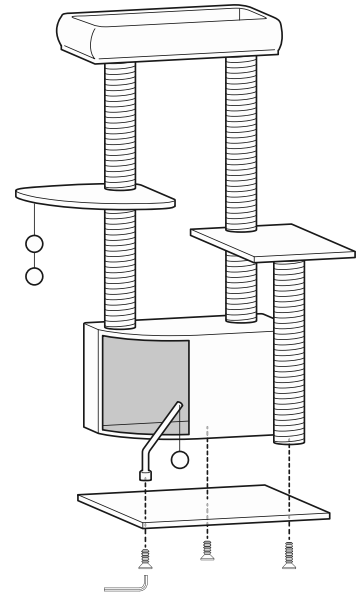
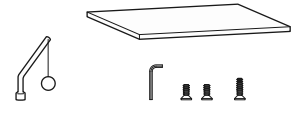
Attach the hideaway to the assembled unit with the **long hex screws** (see detail, fig. 1).

Twist the **tallest** post into the hole under the rectangular platform.



(fig. 1)

**4** To attach the assembled unit and **PLAY TOY** to the **BASE**, you will need these pieces:



Add the assembled unit to the base.

Use the **short screws** for the **hideaway** and **play toy** attachments.

Use the **long screw** for the **scratching post**.

Tighten all screws securely to create stable connections.

