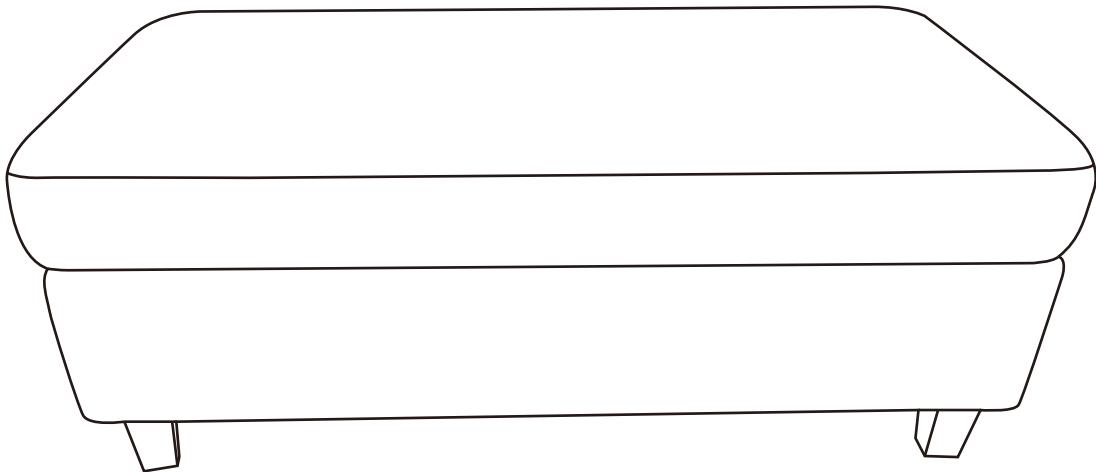

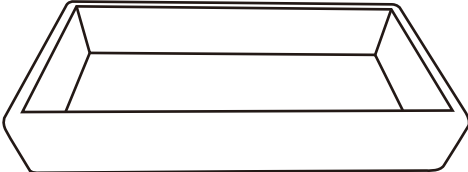



Production Instruction

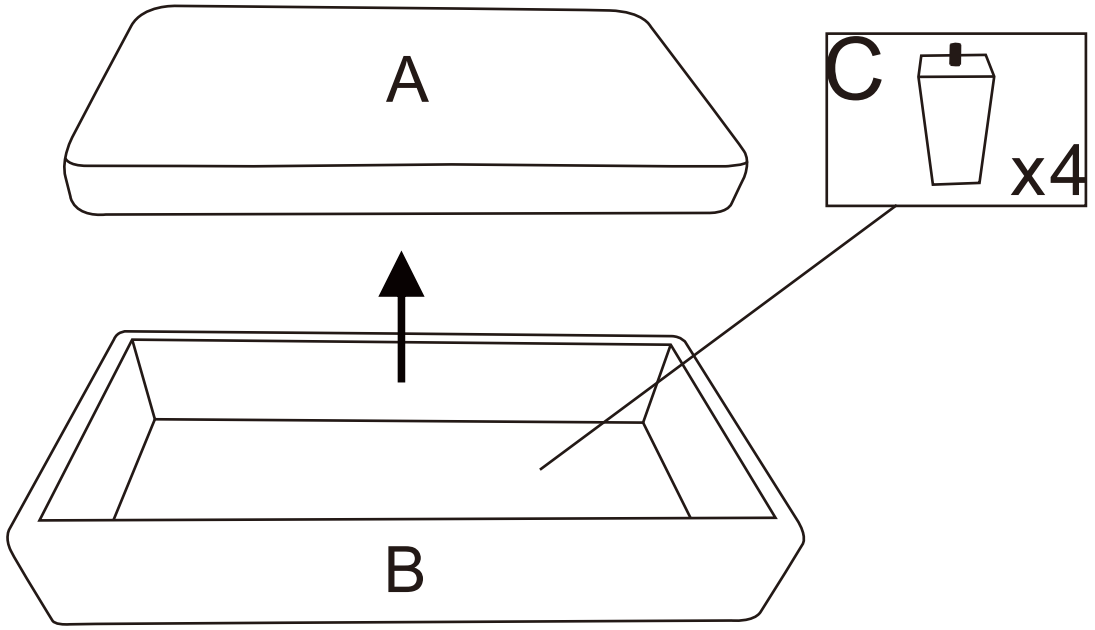


***PLEASE READ CAREFULLY AND FOLLOW THE INSTRUCTIONS MANUAL
TO ASSEMBLE YOUR FURNITURE.
PLEASE KEEP THE INSTRUCTIONS MANUAL FOR FUTURE REFERENCE.***

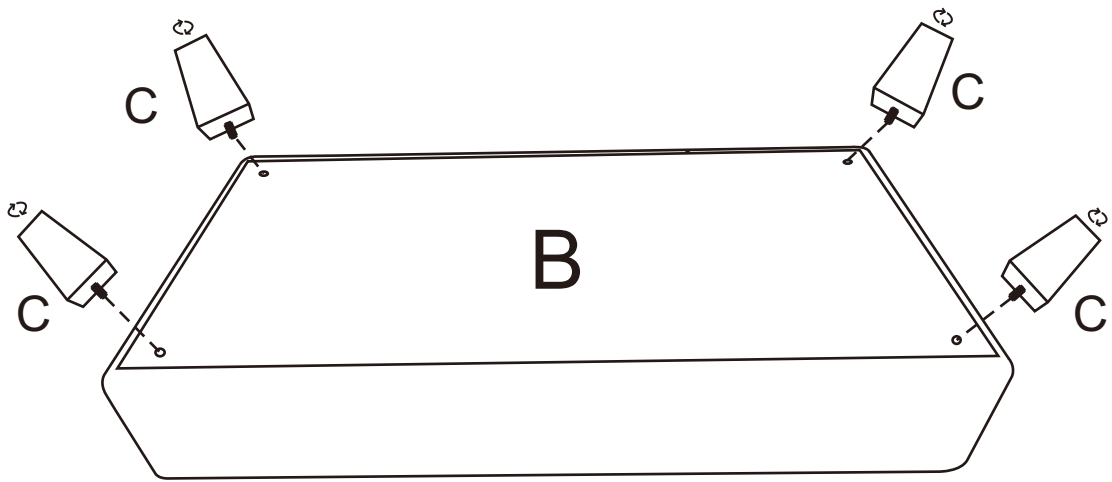
Parts & Hardware List

A		x1
B		x1
C		x4

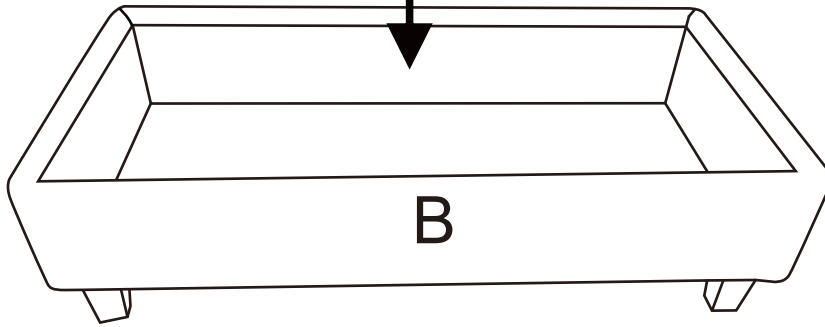
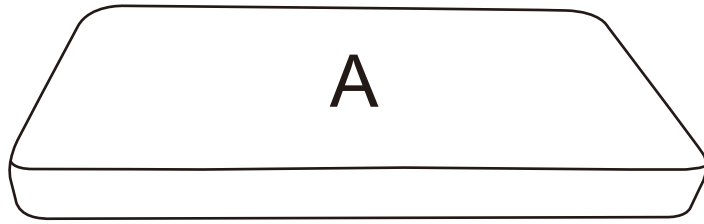
1



2



3



4

