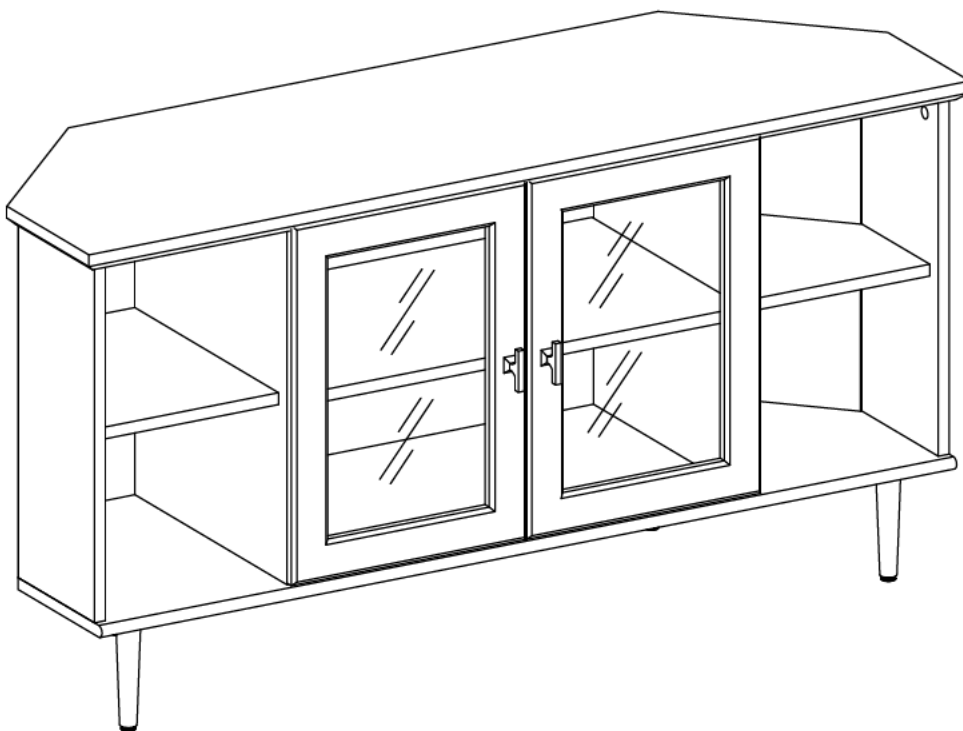


Assembly Instructions

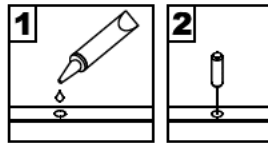


Please visit our website for the most current instructions, assembly tips, report damage, or request parts.

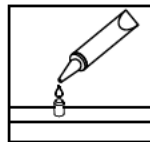
Revised 27/05/2019(L)

General Assembly Guidelines

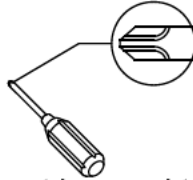
- I. Ensure that all parts and hardware are available before beginning assembly.
- II. Follow each step carefully to ensure the proper assembly of this product.
- III. Two people are recommended for ease in the assembly of this product.
- IV. The three main types of hardware used to assemble this product are: wood dowels, screws and bolts.
- V. The provided glue is to secure wood dowels in place. When first inserting dowels, locate the appropriate hole for the dowel, place a small amount of glue in the hole and insert the dowel. Wipe away excess glue immediately.



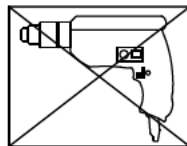
In future assembly steps when dowels are necessary to attach assembly parts together, place a small amount of glue on the end of the dowel before attaching parts together. Wipe away excess glue immediately.



- VI. A Phillips head screwdriver is required for the assembly of this product.

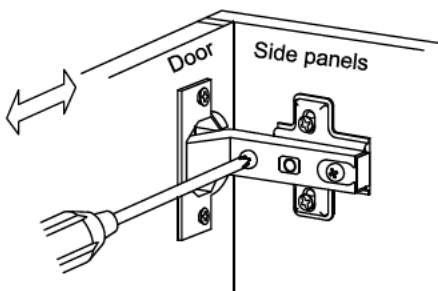


- VII. Power tools should not be used to assemble this product.

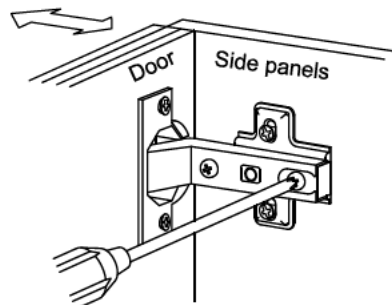


- VIII. Drill may be needed for securing product to wall.

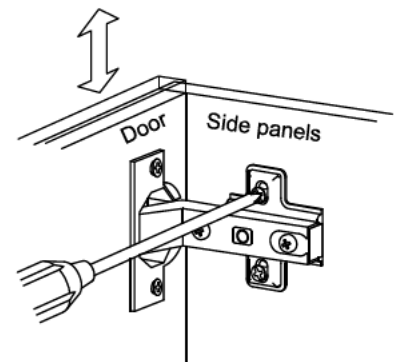
- IX. Concealed hinges are three-way adjustable.



Horizontal
by screw adjustment

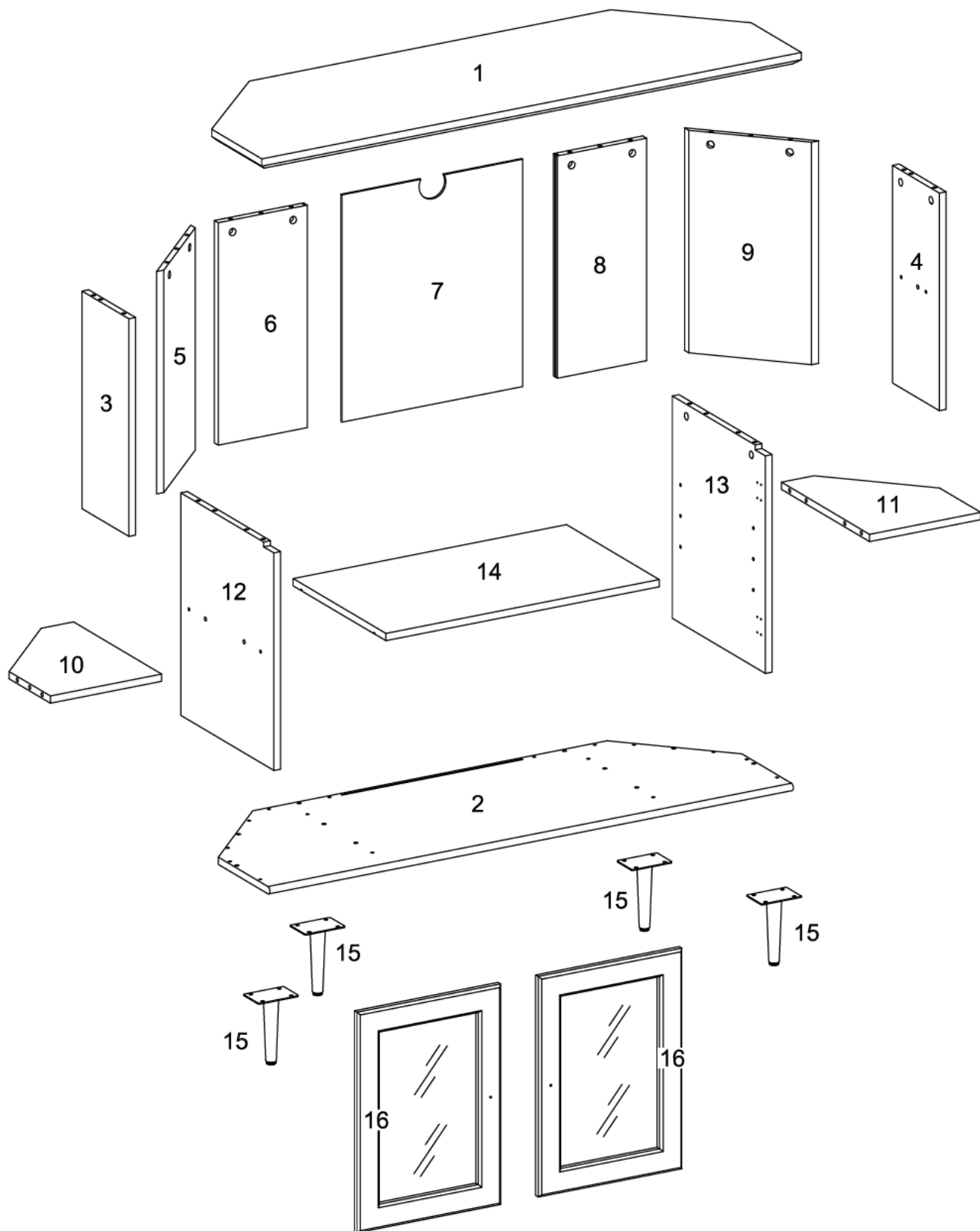


In-and-Out
by loosening the hinge-arm
mounting screw or via cam
adjustment









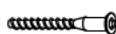









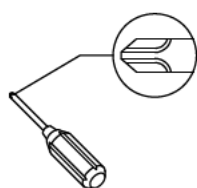
Vertical
Via slots in the mounting
plate or via cam adjustment

Parts List



Hardware List

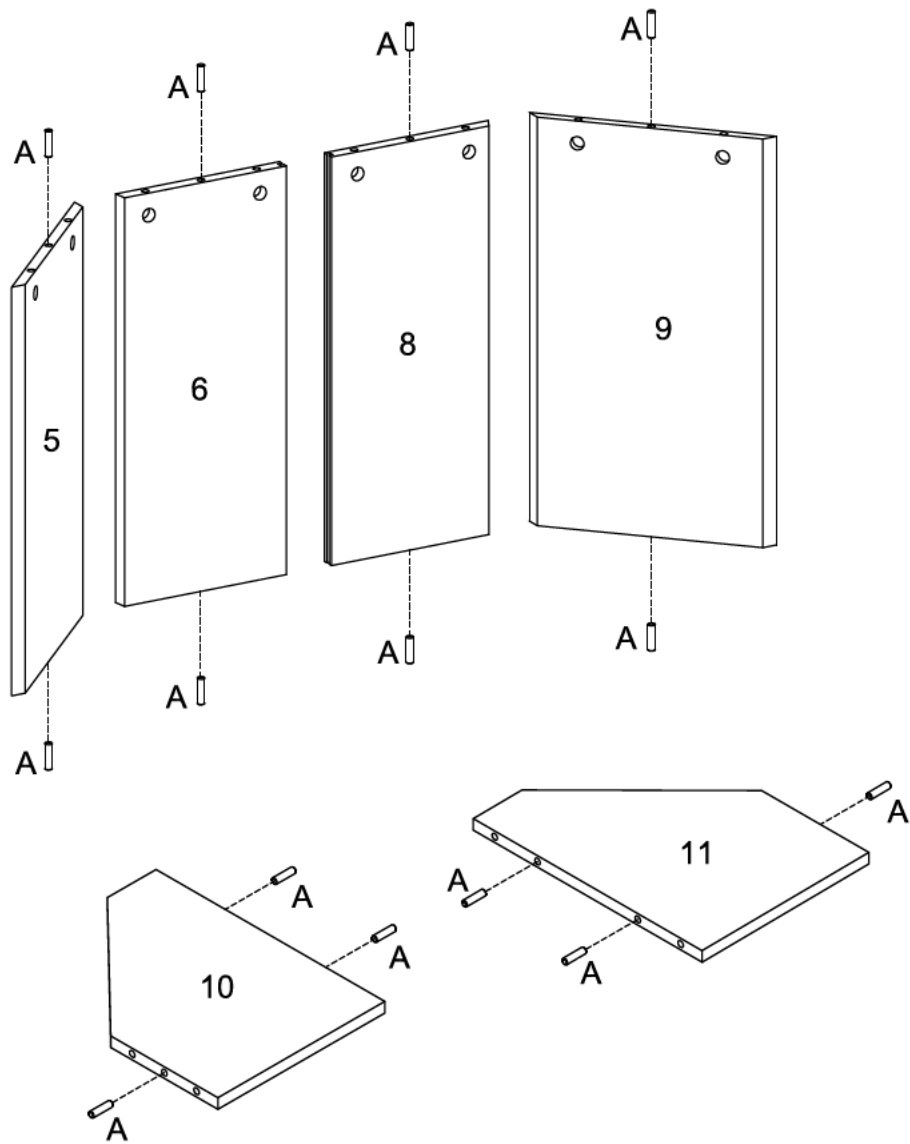
A		Ø8x30mm	Wooden dowel	26 pcs
B		Ø6x32mm	Cam bolt	24 pcs
C		Ø15x11mm	Cam lock	20 pcs
D		Ø15x9mm	Cam lock	4 pcs
E		Ø30mm	Sticker	16 pcs
F			Hinge	4 pcs
G		Ø3.5x14mm	Screw	24 pcs
H		Ø5x16mm	Shelf support pin	4 pcs
J		Ø6x50	Bolt	16 pcs
K			Handle	2 pcs
L		Ø4x22mm	Handle Bolt	2 pcs
M		M4	Hex Key	1 pc
N		Ø6x12mm	Bolt	16 pcs
P			Plastic wedge	4 pcs
Q		Ø3x17	Screw	4 pcs
R			Glue tube	1 pc



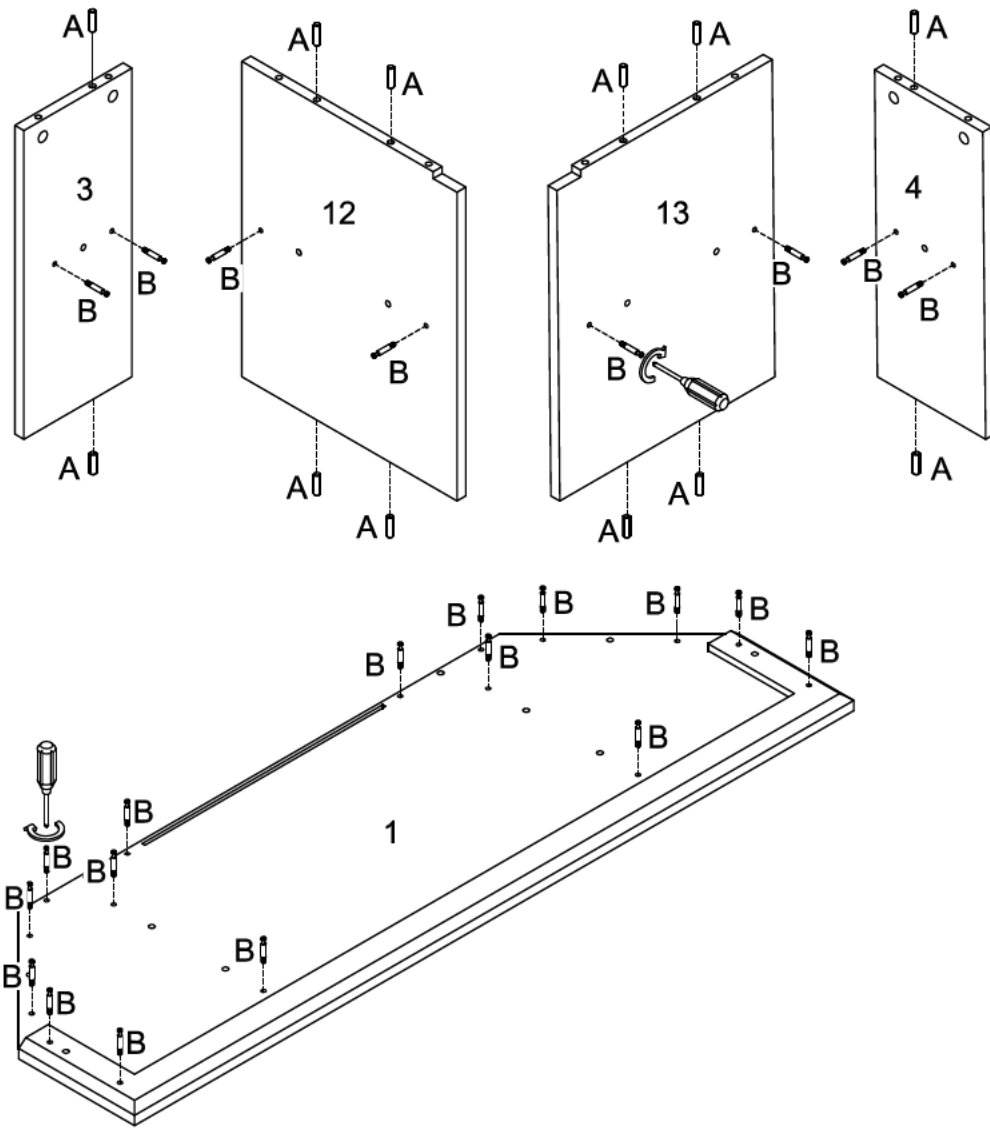
Philips head screwdriver required for assembly
(not included)

*The hardware quantities listed above are required for proper assembly.
Some extra hardware may also have been included.*

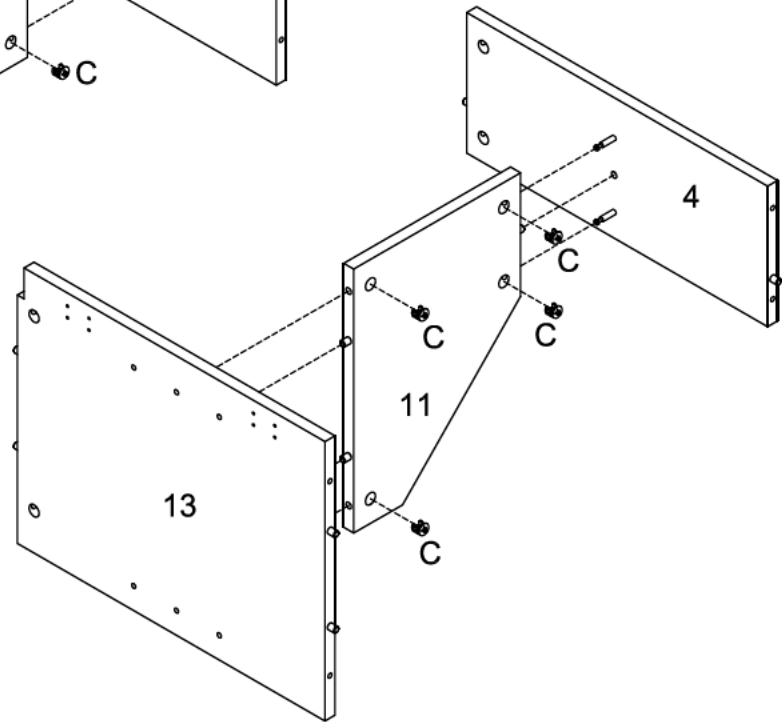
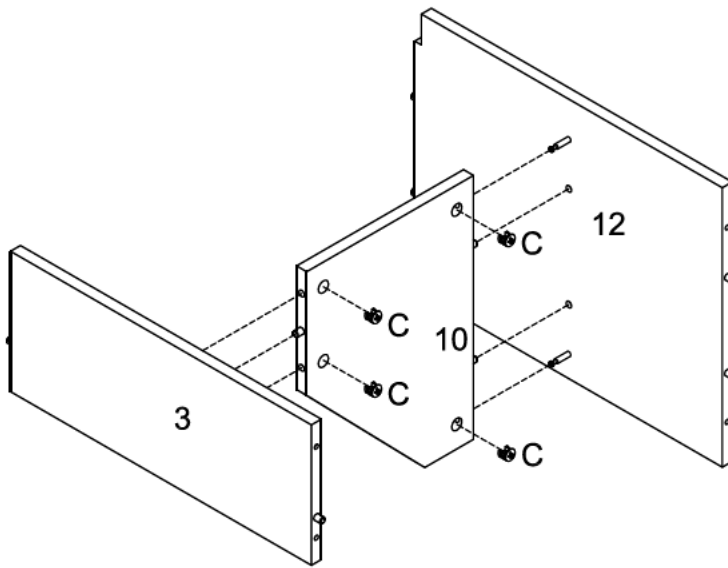
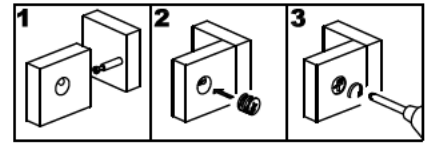
Step 1



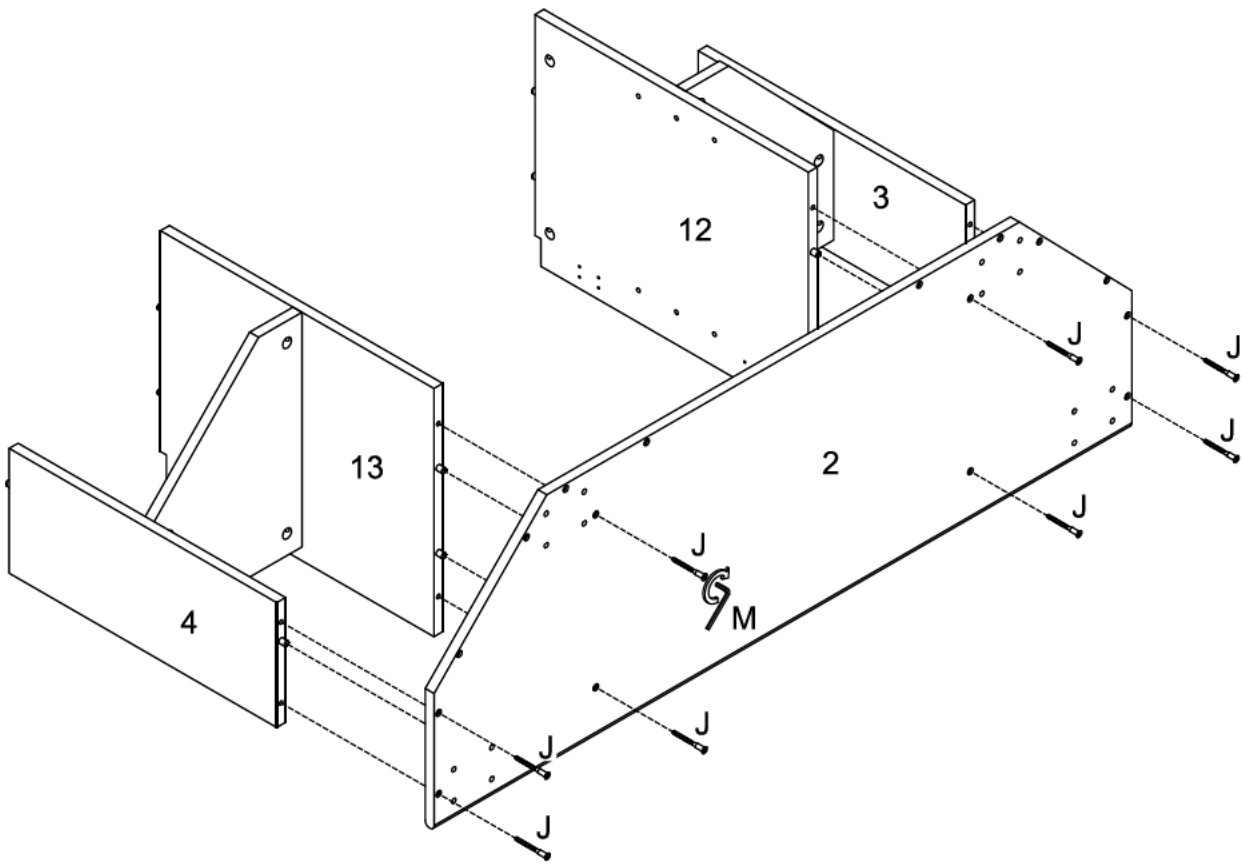
Step 2



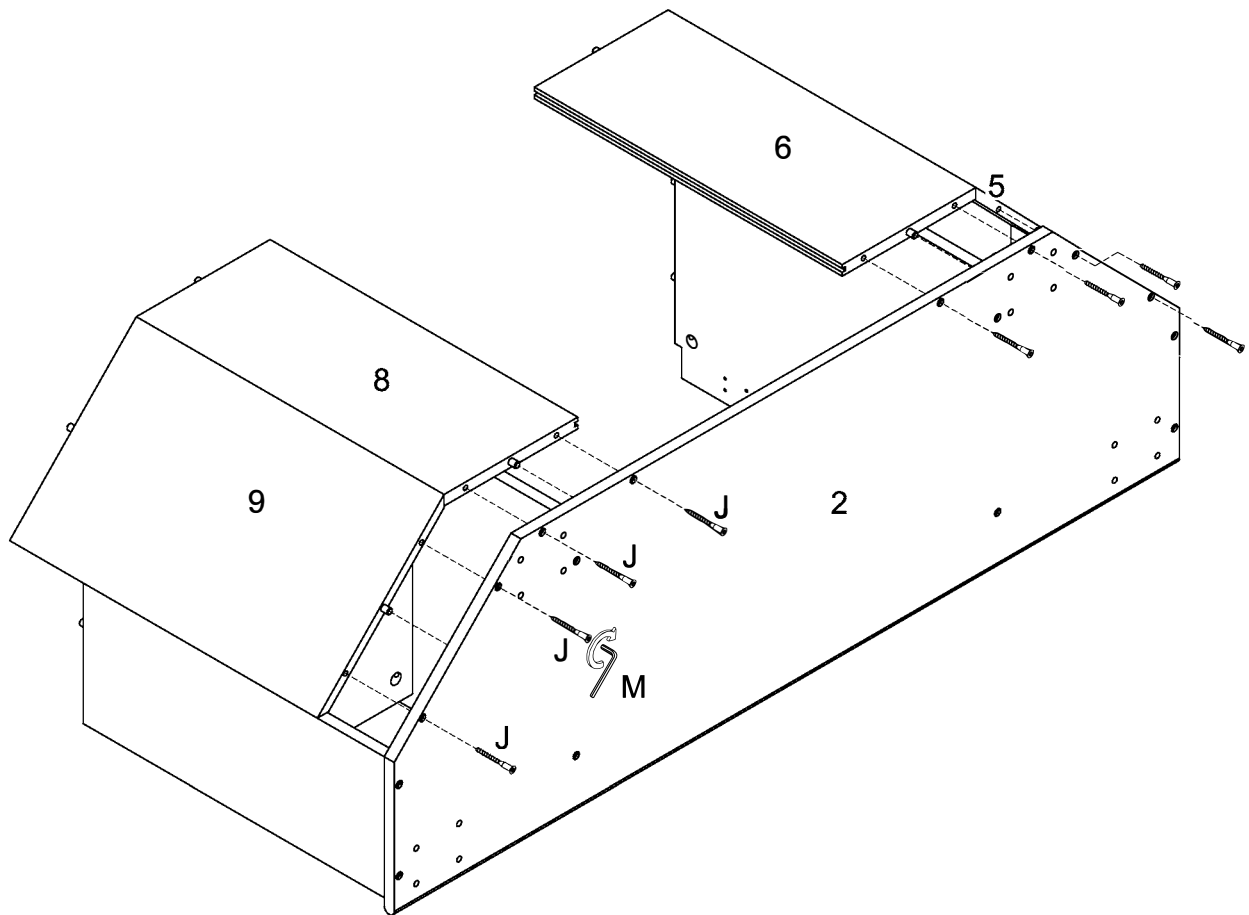
Step 3



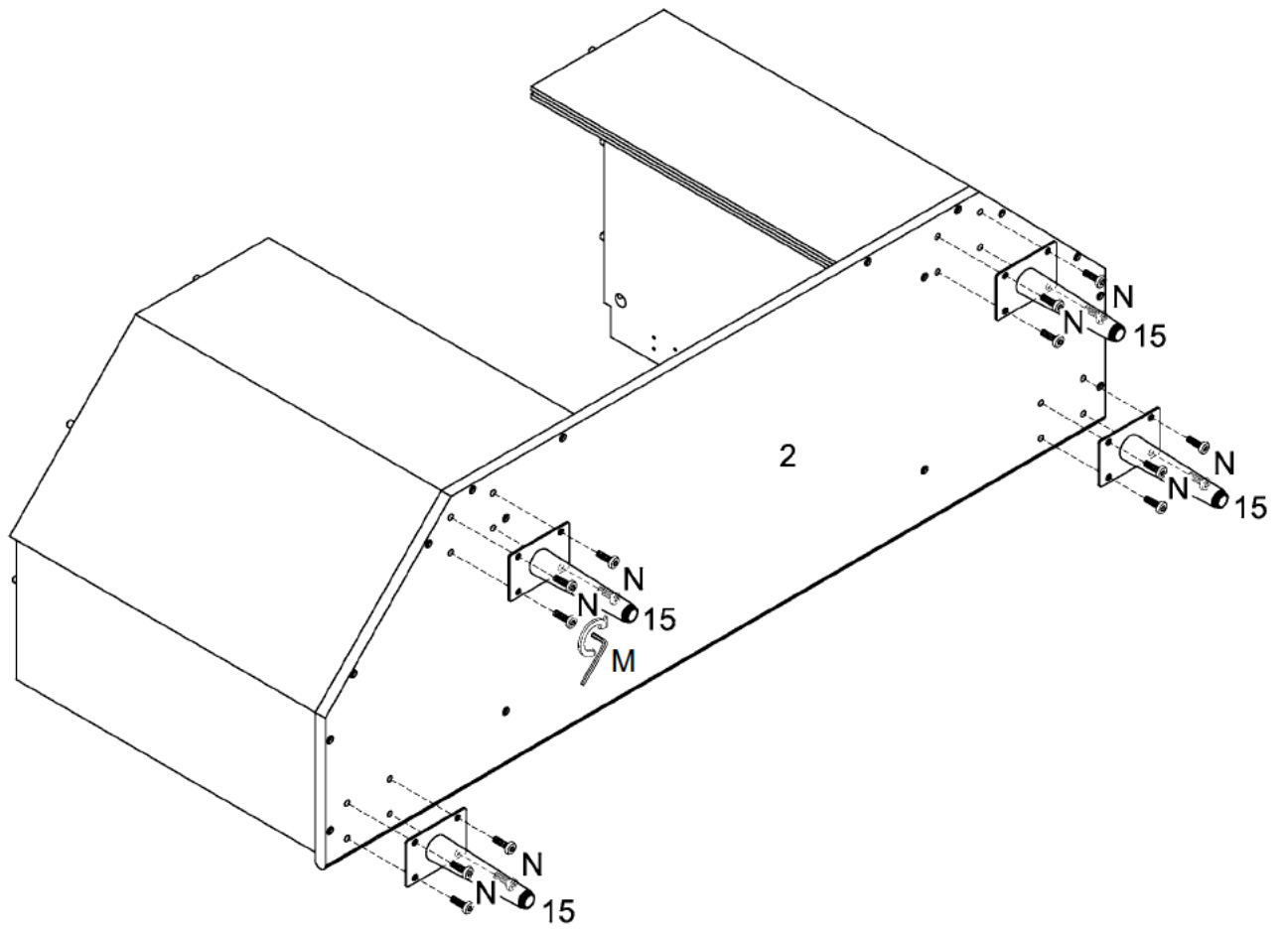
Step 4



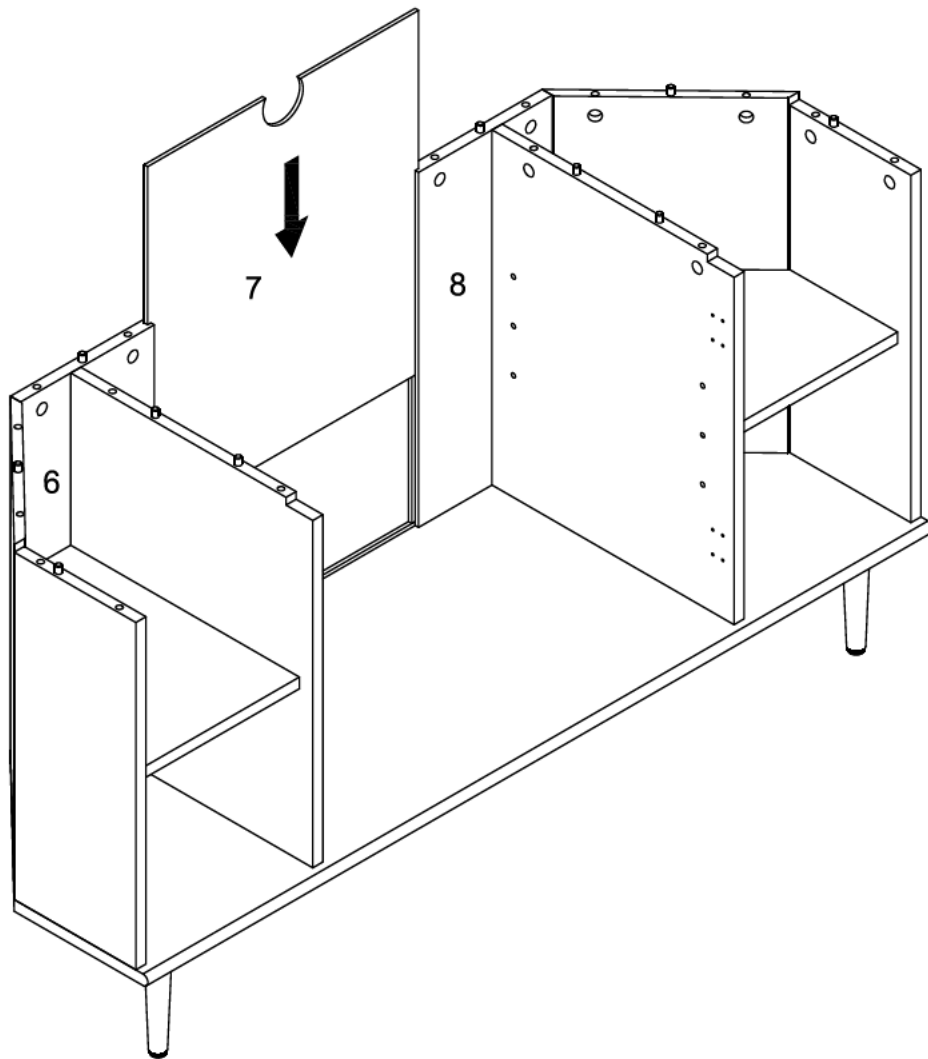
Step 5



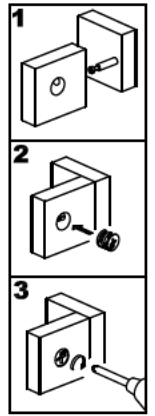
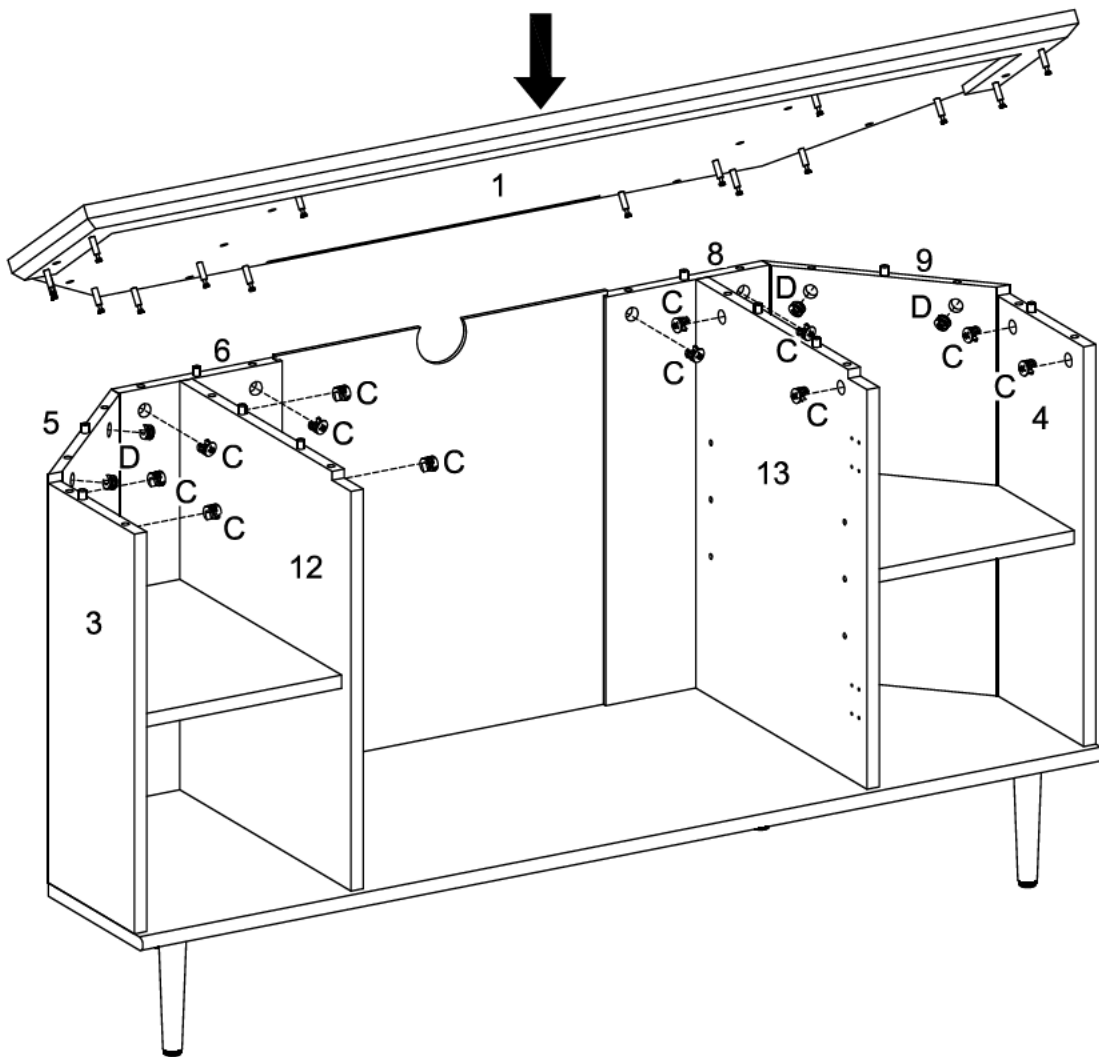
Step 6



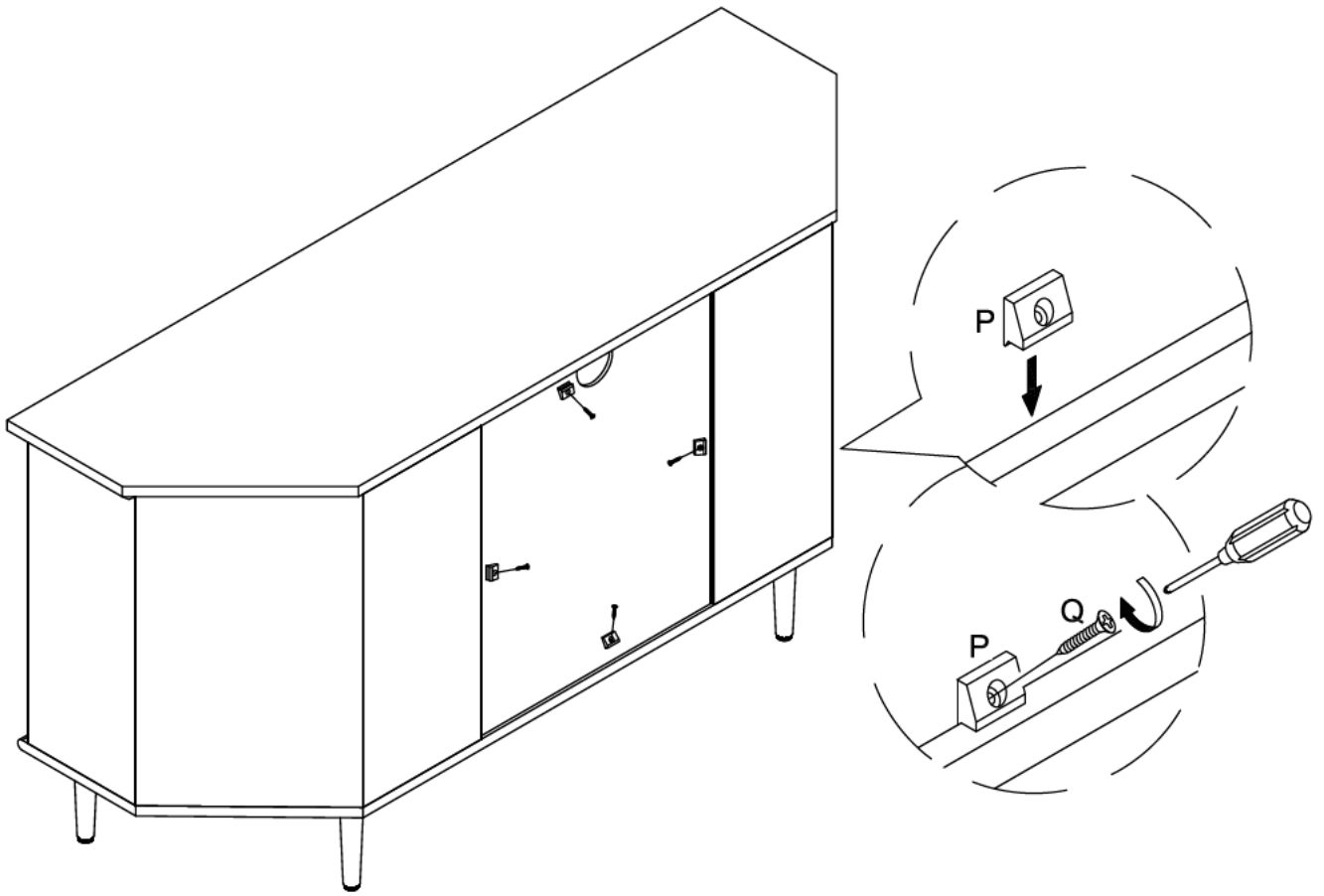
Step 7



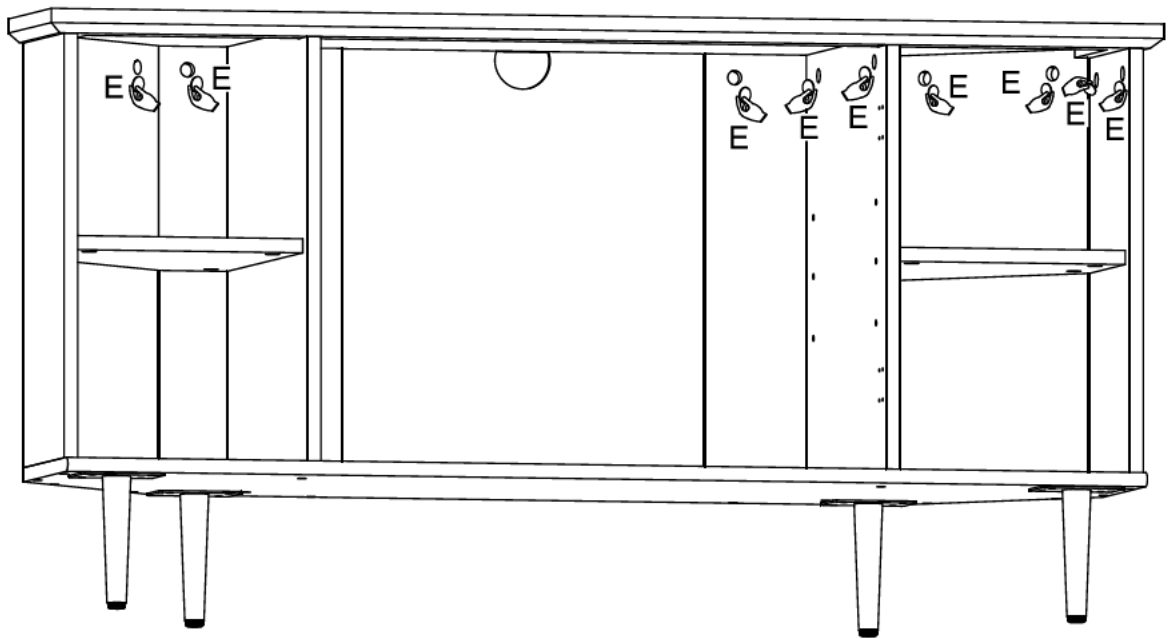
Step 8



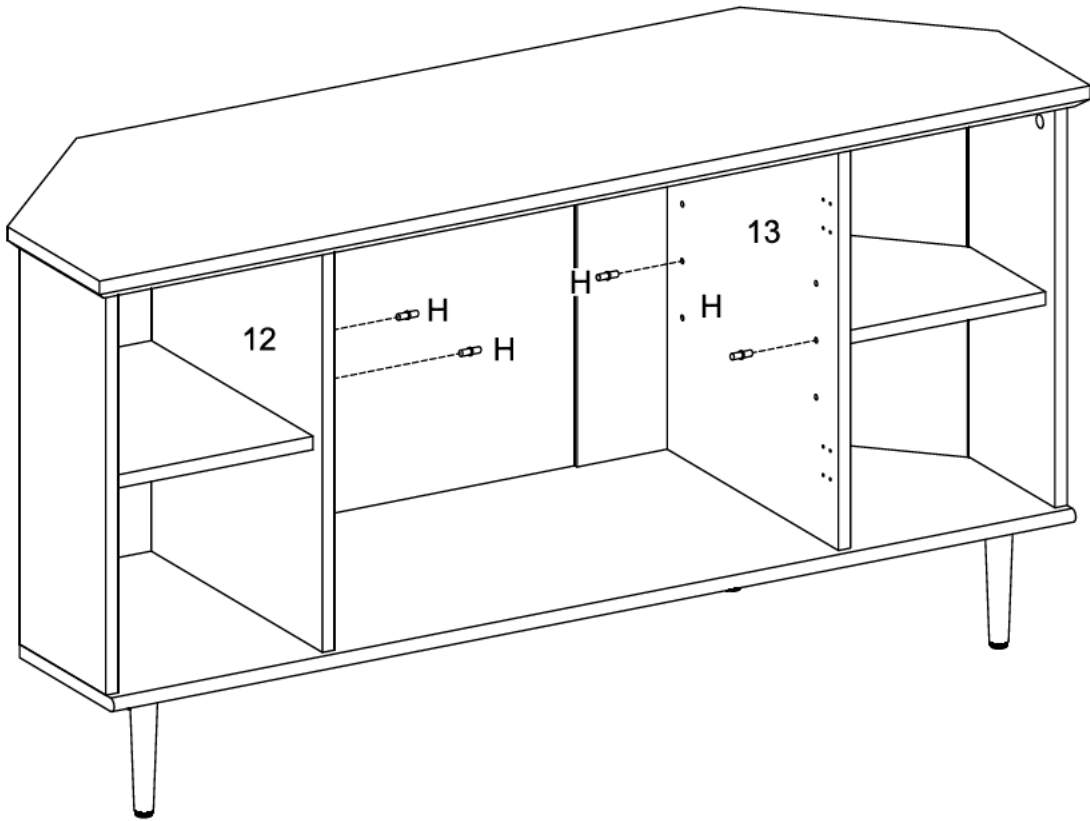
Step 9



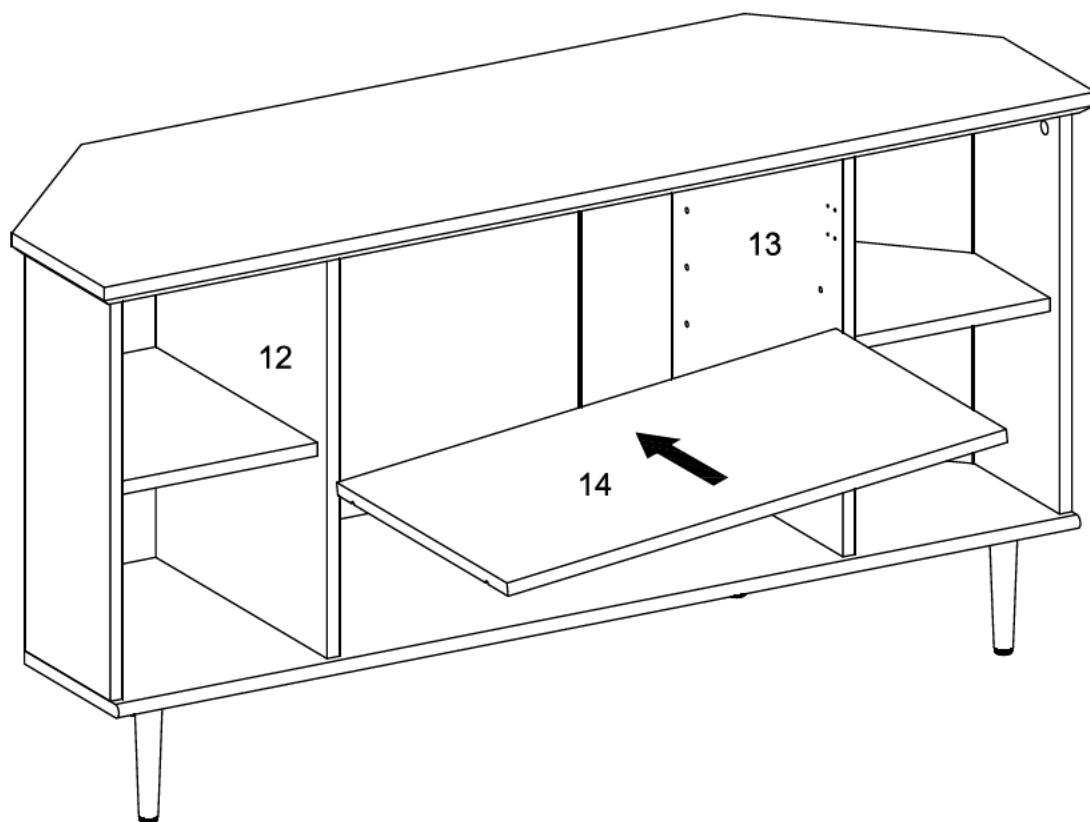
Step 10



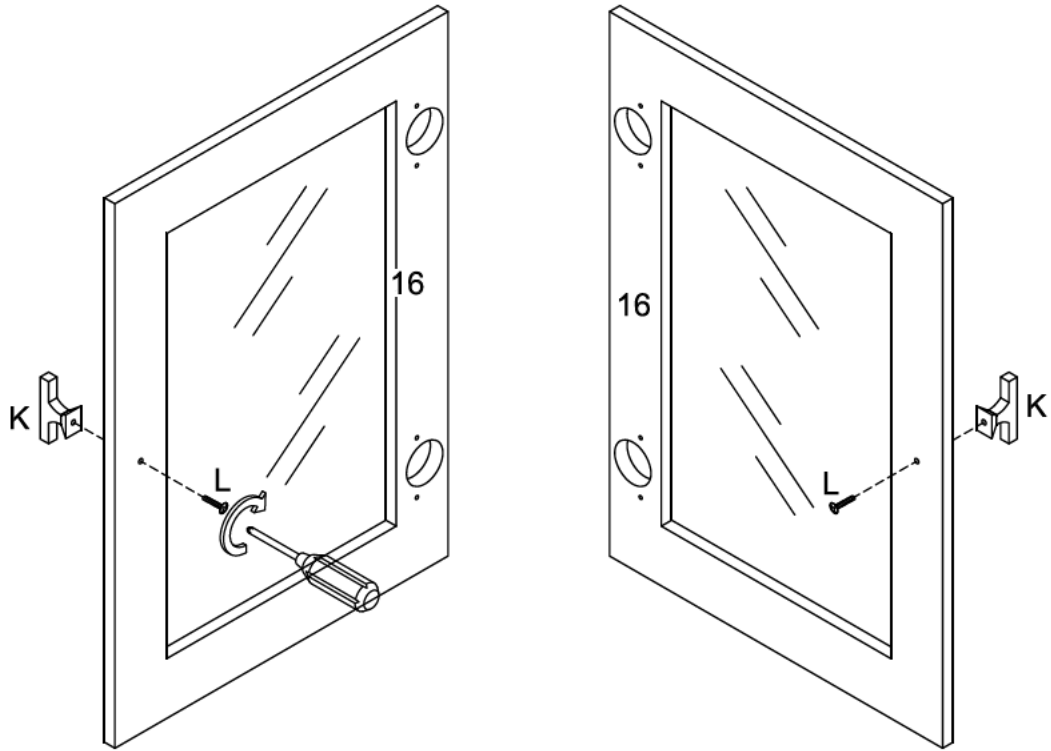
Step 11



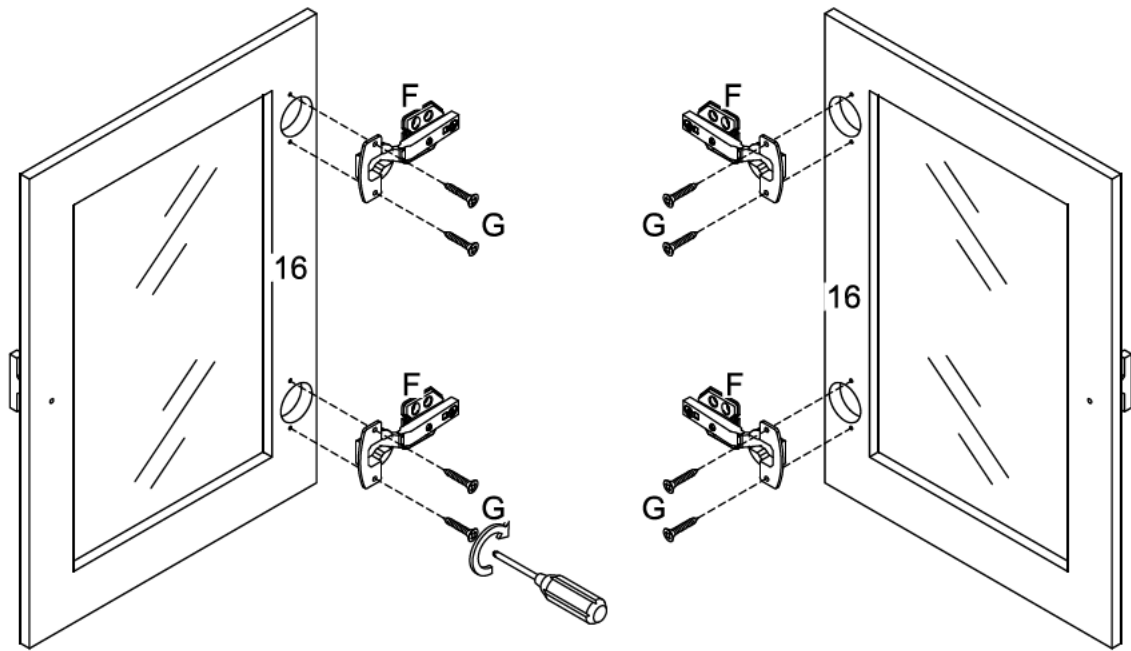
Step 12



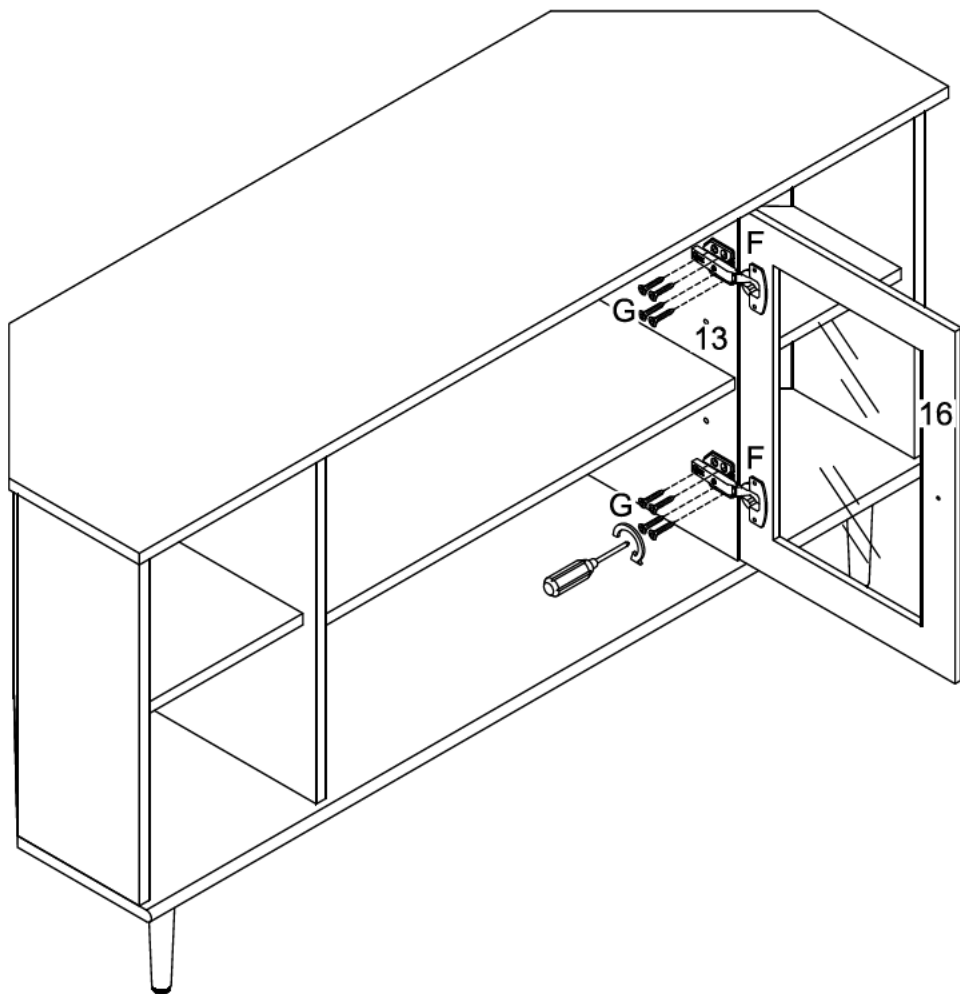
Step 13



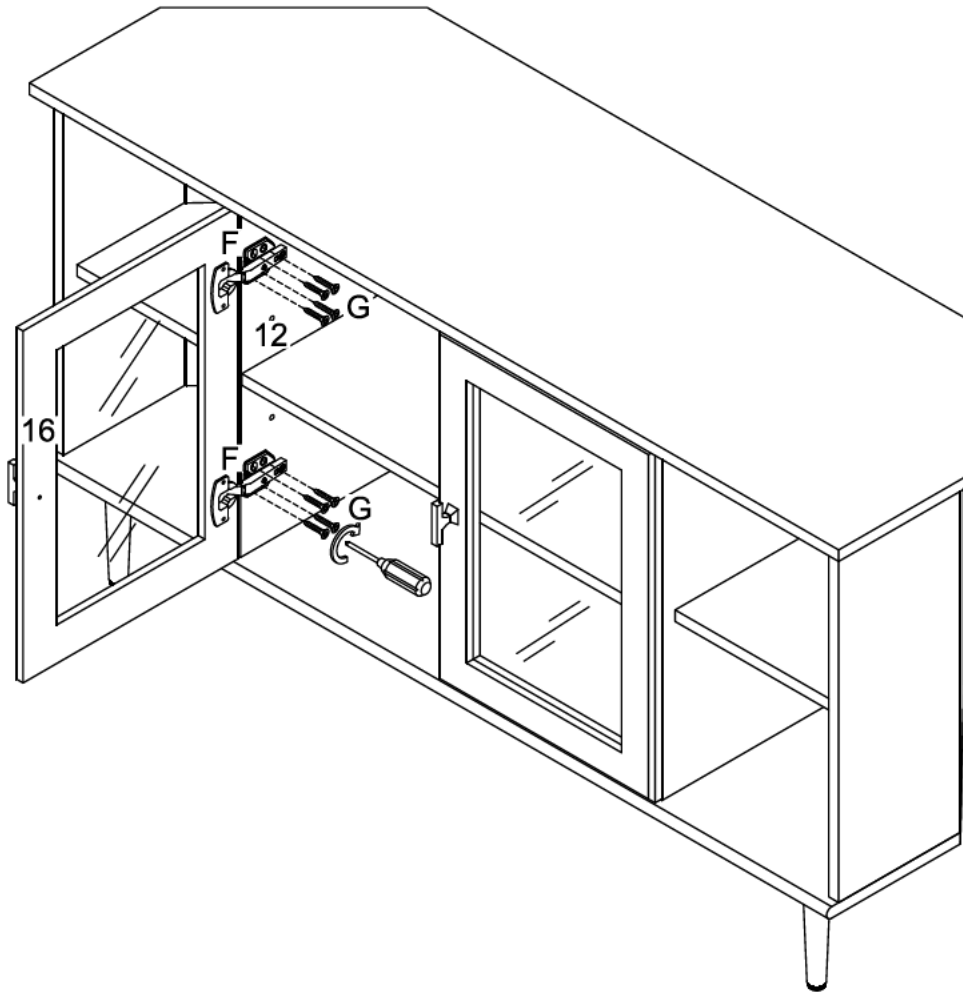
Step 14



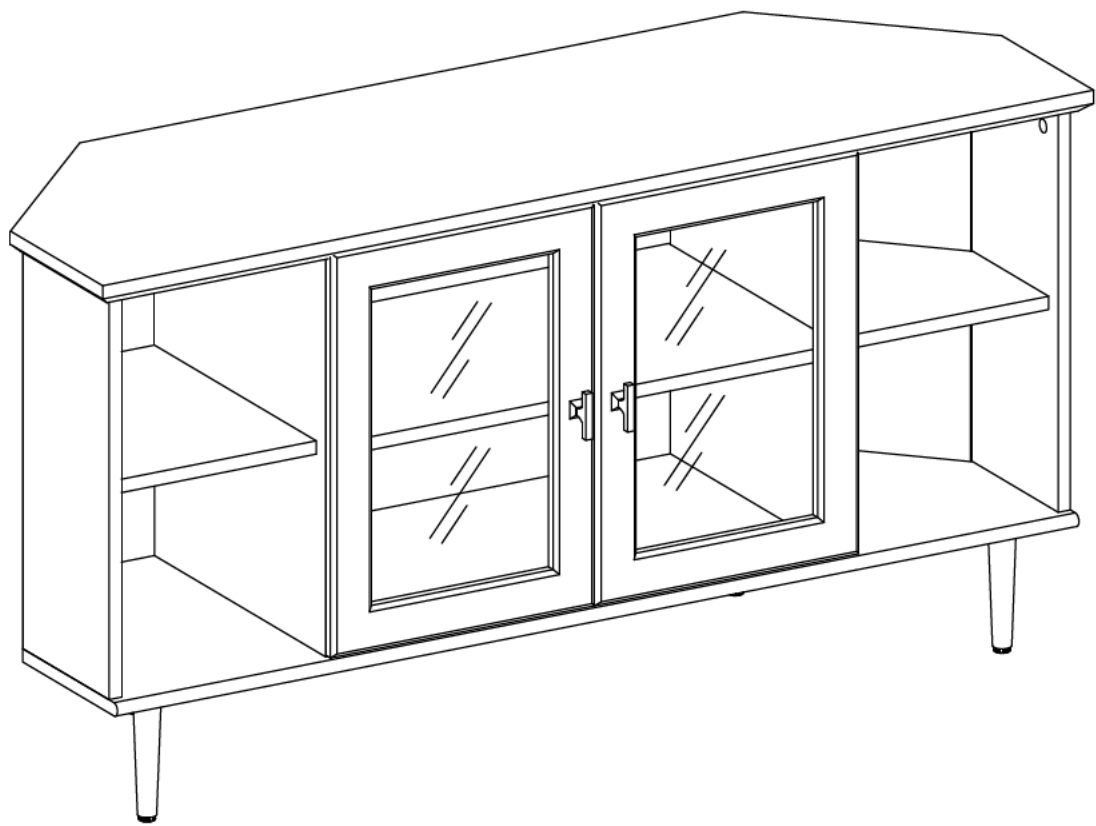
Step 15



Step 16



Step 17



Final Assembly