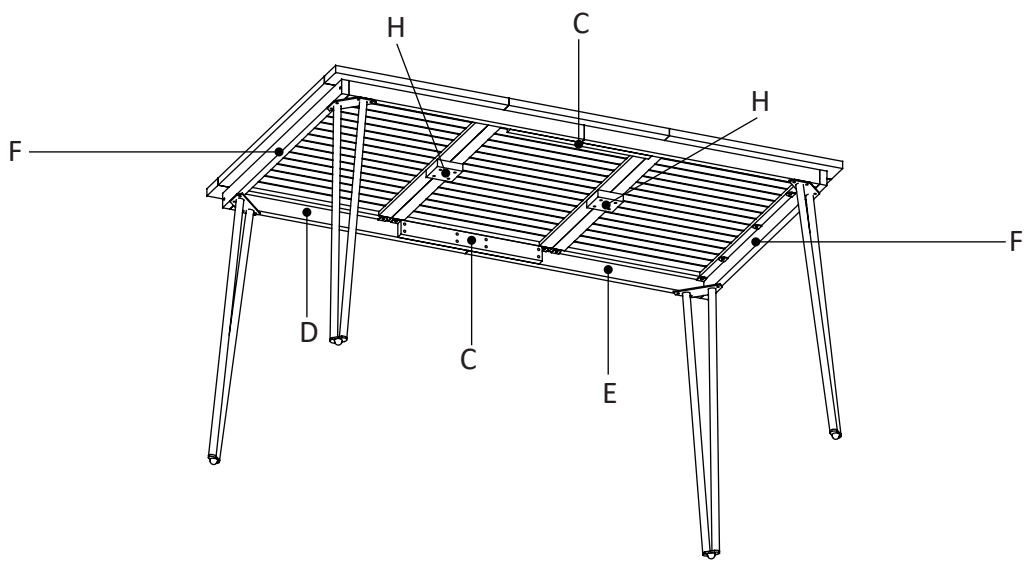
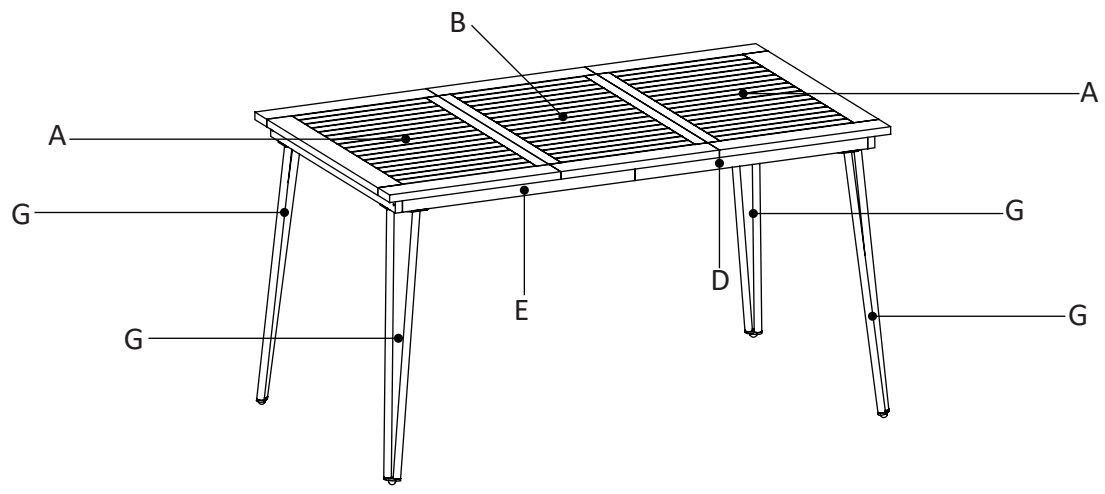
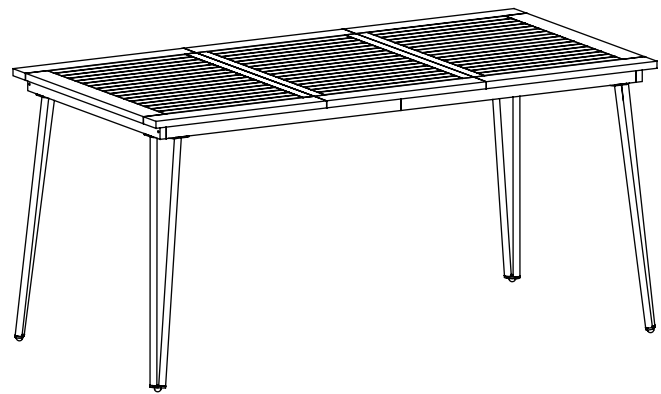
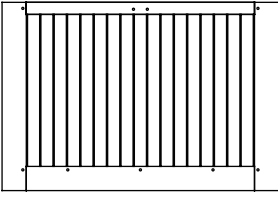
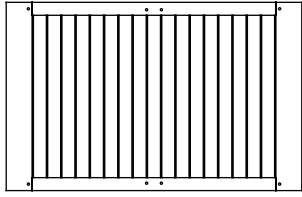
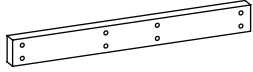
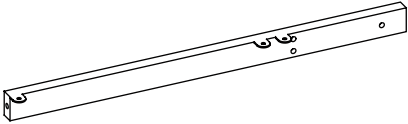
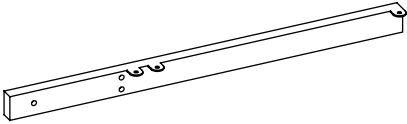
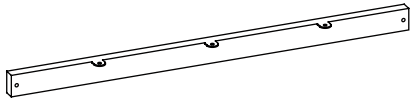
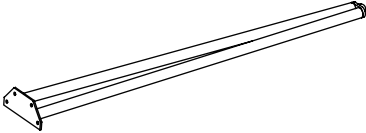
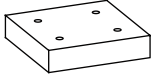

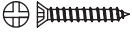
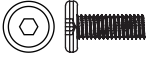

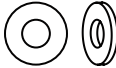


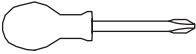


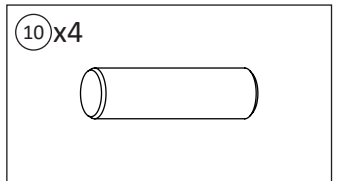
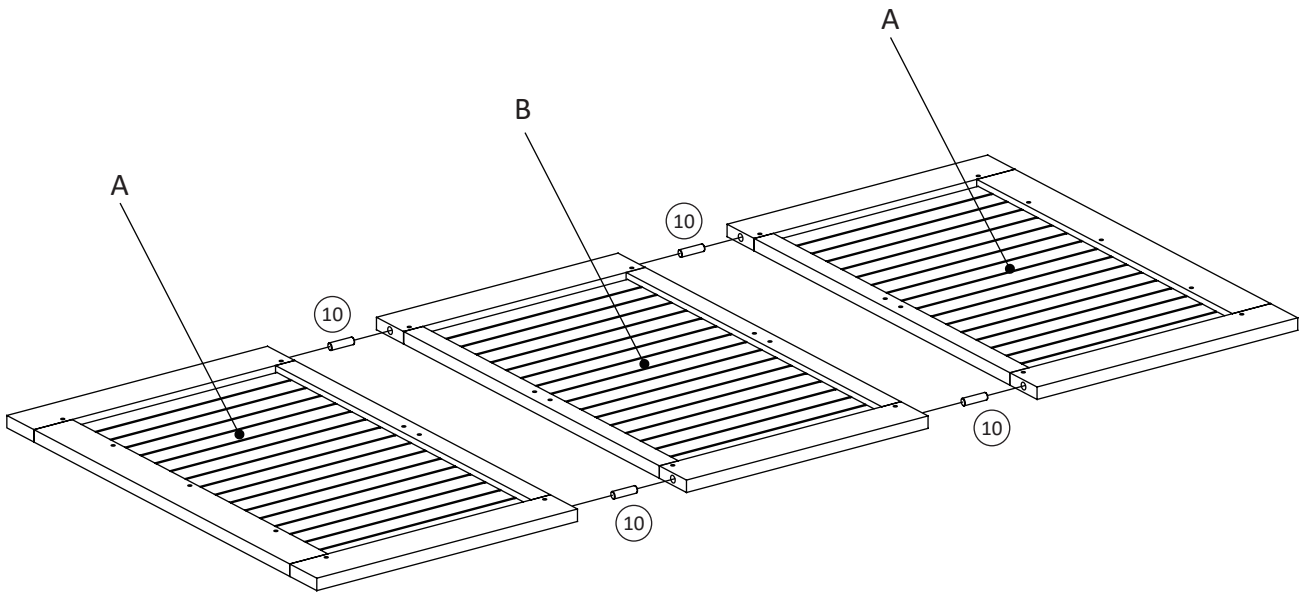


mm
inch
x2

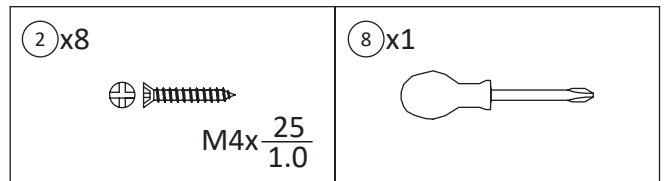
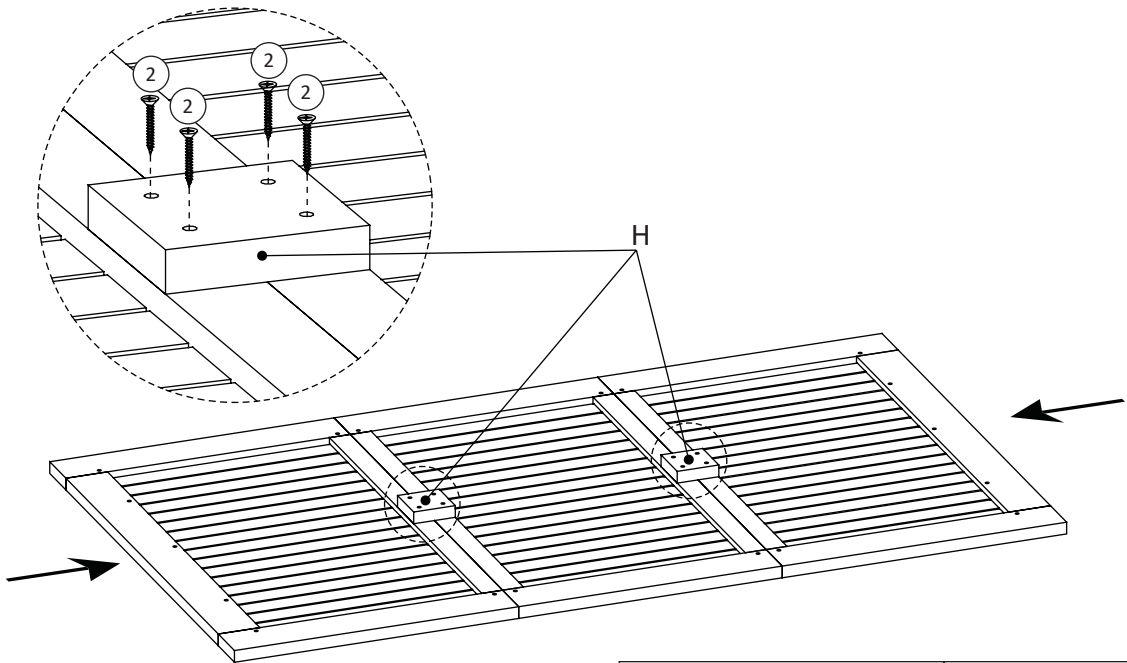


<p>Ax2</p> 	<p>Bx1</p> 	<p>Cx2</p>  <p>$\frac{400}{15.7}$</p>	
<p>Dx2</p>  <p>$\frac{760}{29.9}$</p>	<p>Ex2</p>  <p>$\frac{760}{29.9}$</p>	<p>Fx2</p>  <p>$\frac{760}{29.9}$</p>	
<p>Gx4</p>  <p>$\frac{680}{26.8}$</p>	<p>Hx2</p> 	<p>①x18</p>  <p>M4x $\frac{15}{0.6}$</p>	<p>②x8</p>  <p>M4x $\frac{25}{1.0}$</p>
<p>③x16</p>  <p>M6x $\frac{15}{0.6}$</p>	<p>④x16</p>  <p>M6x $\frac{35}{1.4}$</p>	<p>⑤x16</p>  <p>M6x $\frac{16x2}{0.6x0.08}$</p>	<p>⑥x4</p>  <p>M6x $\frac{35}{1.4}$</p>
<p>⑦x4</p>  <p>M6x $\frac{16x2}{0.6x0.08}$</p>	<p>⑧x1</p> 	<p>⑨x2</p> 	<p>⑩x4</p>  <p>M4</p>

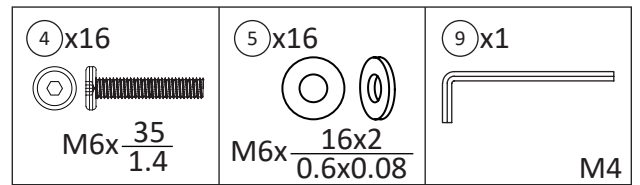
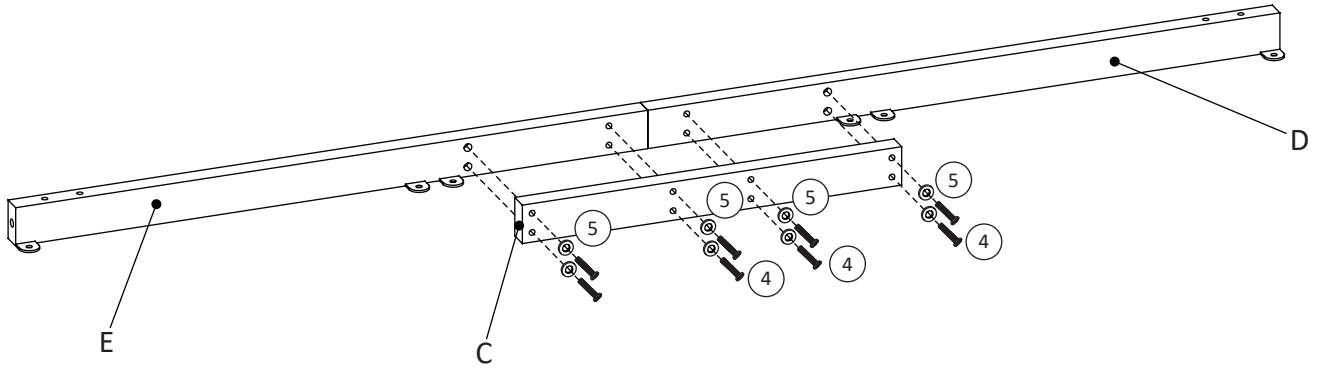
1



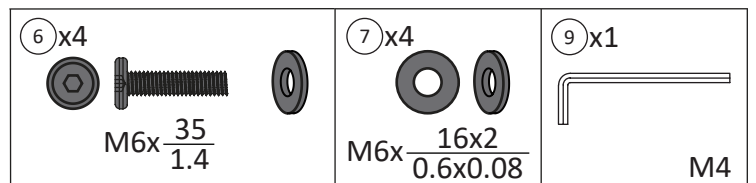
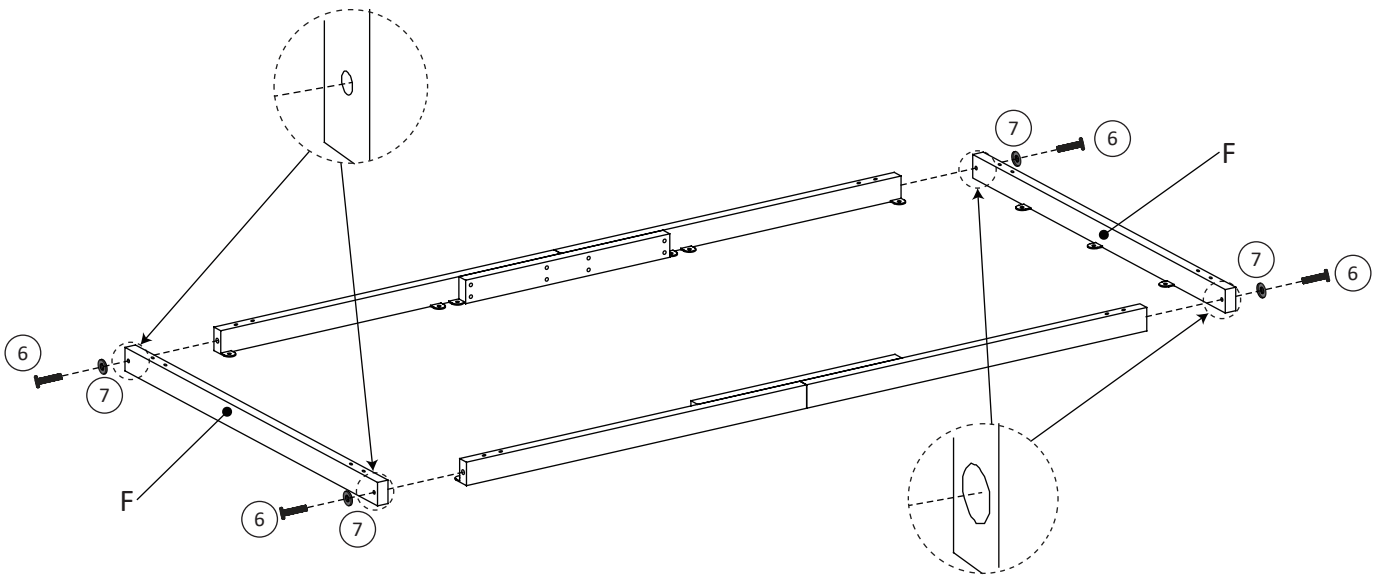
2



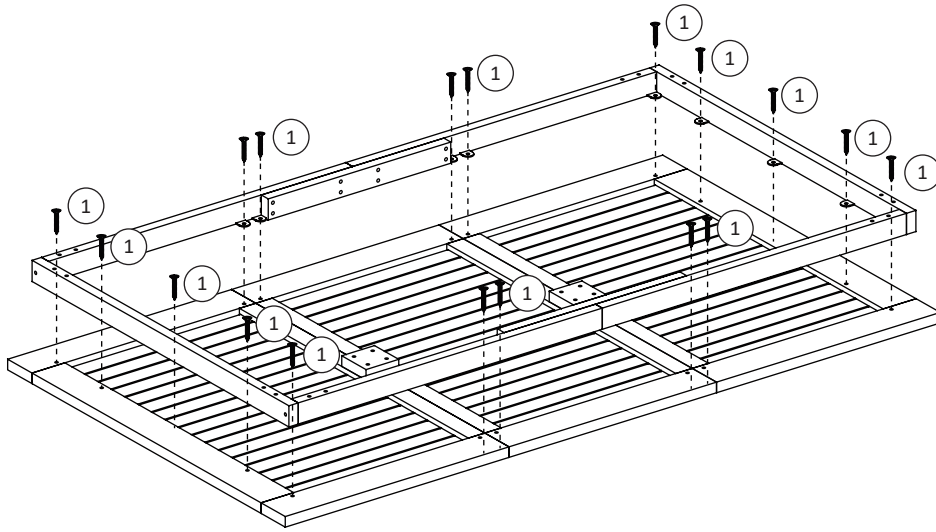
3 x2


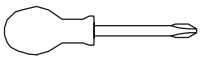


4

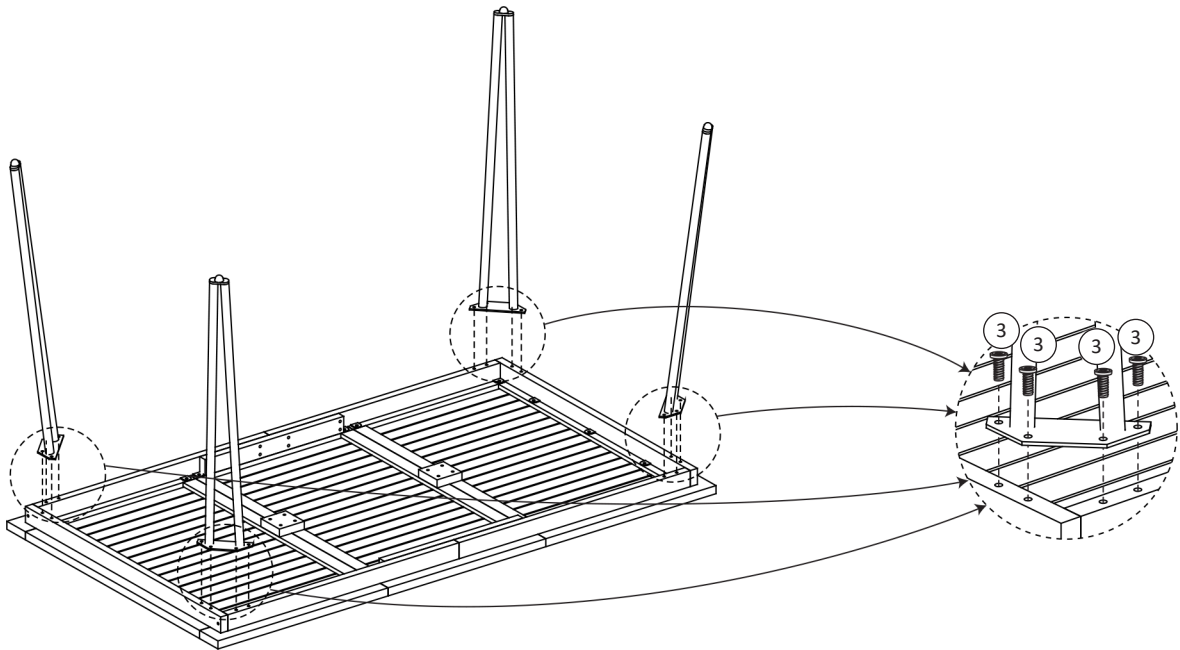


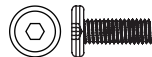

5



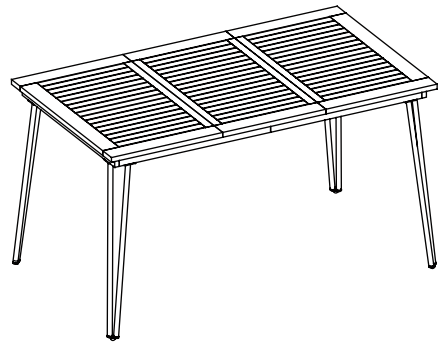
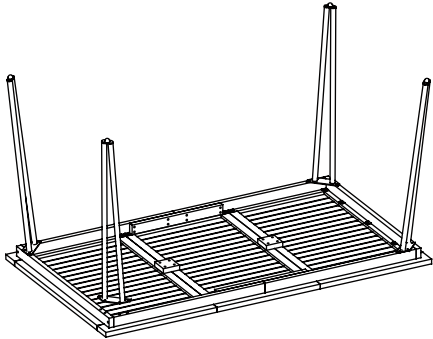
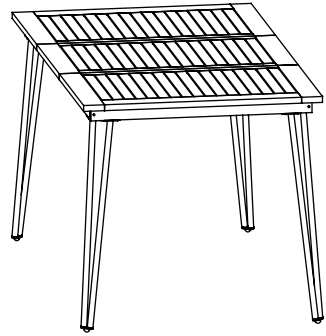
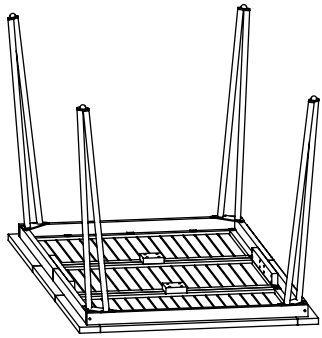
① x18	⑧ x1
	
M4x $\frac{15}{0.6}$	

6



③ x16	⑨ x1
	
M6x $\frac{15}{0.6}$	M4

7



8

