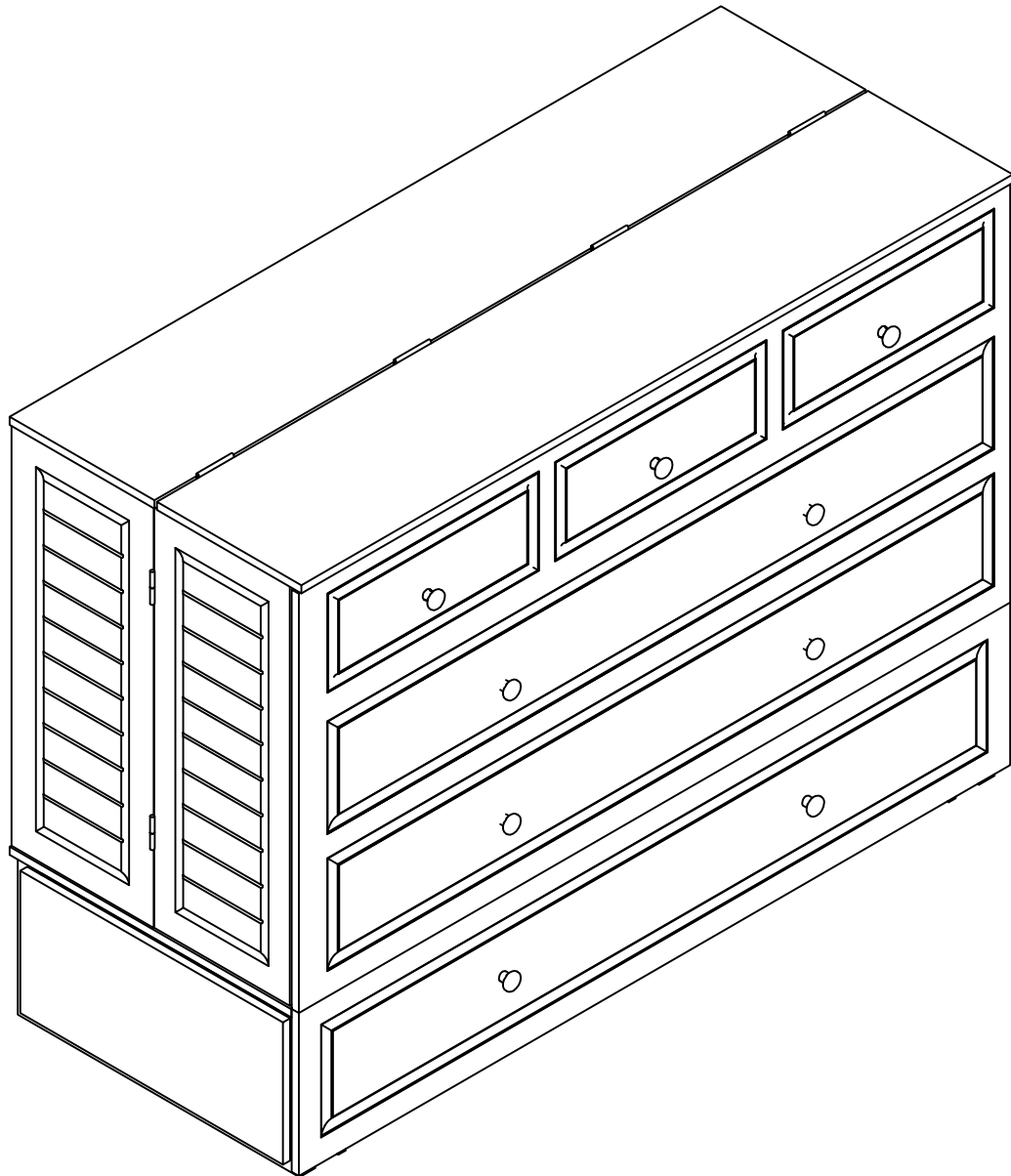


# Murphy Bed



## **IMPORTANT INFORMATION!**

· please read the entire manual before starting to assemble and/or using this product. follow the manual thoroughly and keep it for further reference.

### **AVOID SCRATCHES!**

· In order to avoid scratching this furniture should be assembled on a soft layer-could be a rug.

### **IMPROVE EFFICIENCY!**

· Try to find a partner to install with you, which can speed up the installation efficiency and shorten the time.

### **IMPORTANT!**

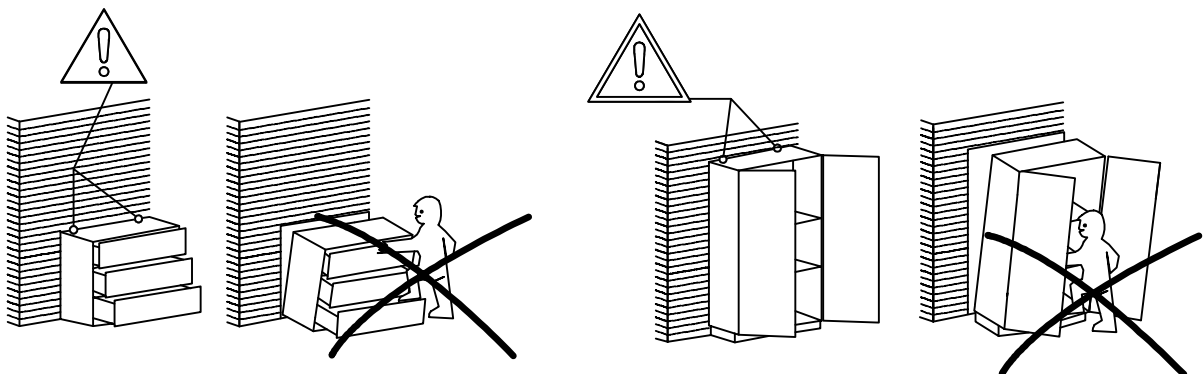
· It is important that any product which is assembled using any kind of screw is re-tightened 2 weeks after assembly, and once every 3 months - in order to assure stability through-out the lifespan of the product.

For regular maintenance and cleaning of the product, for the frame, please use a rag dipped in neutral detergent to fully wipe it, and then dry it with a clean rag. for glass materials, wipe with a rag dampened with water glass cleaner, and then dry with a dry rag.

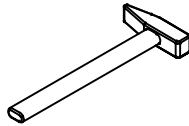
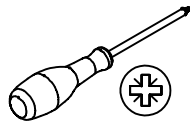
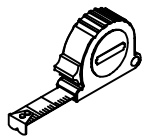
· Do not use an electric screwdriver, and do not use too much force when installing, because the board is easy to break.

### **ANTI-TOPPLE WARNING!**

Overtumed furniture can cause serious or fatal crush injuries. to prevent tipping over, be sure to use the wall attachment, if not included with this product. please purchase the wall attachment that fit your wall. if unsure, seek professional advice. please read and follow each step of the instructions carefully.

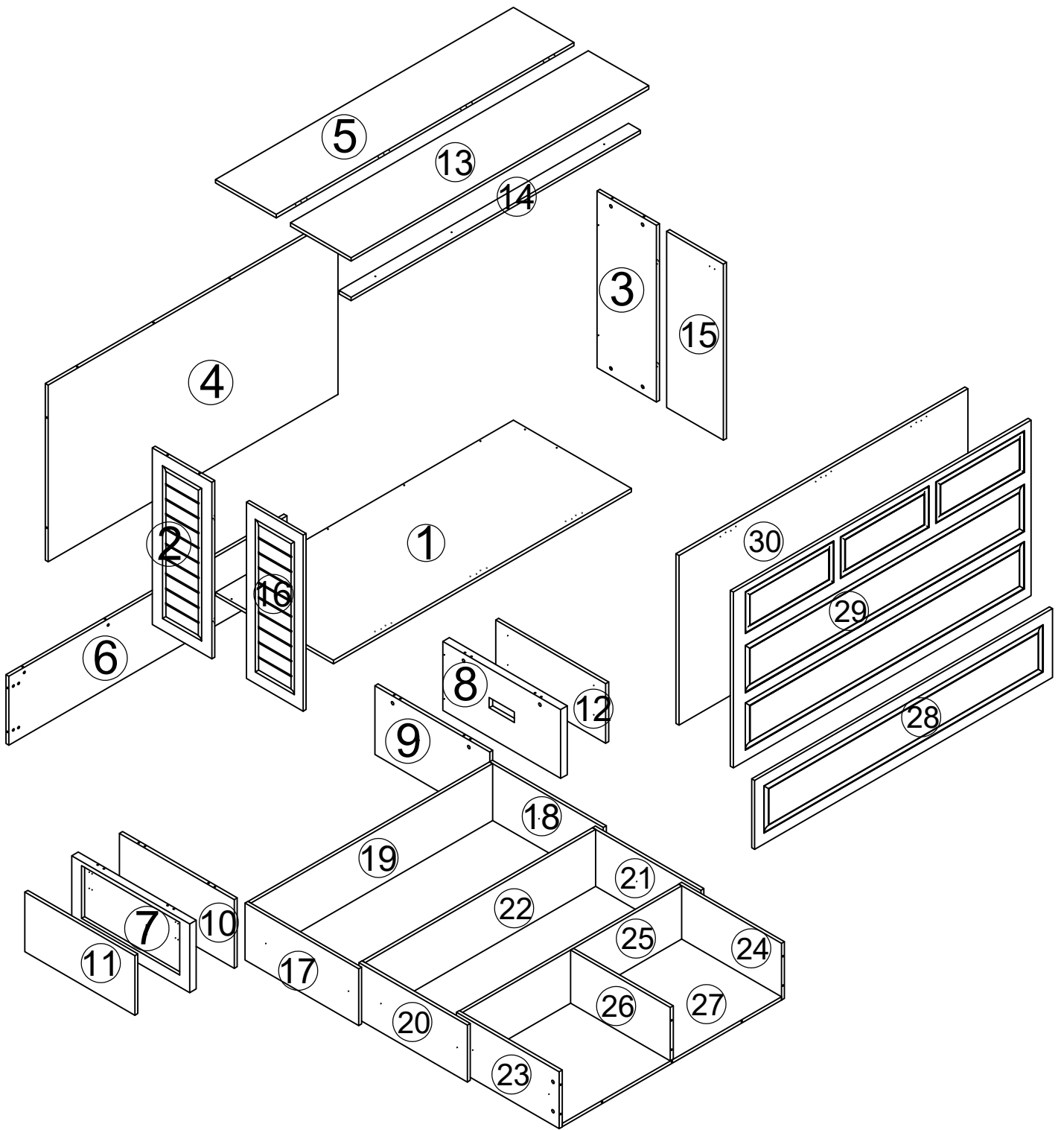


# Please prepare the following tools



When installing, please carefully confirm whether each screw corresponds to the manual, accessories with similar shapes can be distinguished by size

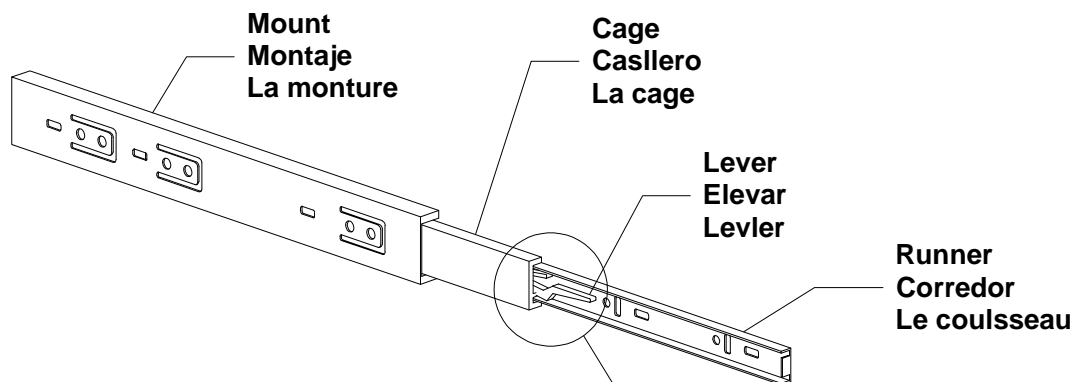
<p>A x 68</p> <p>Ø6 x 28mm</p>	<p>B x 68</p> <p>Ø15 x 10mm</p>	<p>C x 8</p> <p>Ø8 x 30mm</p>	<p>D x 4</p> <p>60 x 24mm</p>	<p>E x 24</p> <p>Ø3 x 14mm</p>
<p>F x 4</p> <p>65 x 35mm</p>	<p>G x 6</p> <p>100 x 70mm</p>	<p>H x 174</p> <p>Ø3.5 x 14mm</p>	<p>J x 9</p> <p>M4 x 25mm</p>	<p>K x 9</p> <p>Ø30 x 20mm</p>
<p>L x 4</p> <p>Ø7 x 38mm</p>	<p>M x 2</p> <p>550mm</p>	<p>N x 4</p> <p>500mm</p>	<p>O x 2</p> <p>72 x 27mm</p>	<p>P x 12</p> <p>H52mm</p>
<p>Q x 28</p> <p>Ø3.5 x 25mm</p>	<p>R x 8</p> <p>25x15x15mm</p>	<p>S x 12</p> <p>Ø15 x 6mm</p>	<p>T x 4</p> <p>195x110x30mm</p>	<p>U x 1</p> <p>161x54x40mm</p>
<p>V x 2</p> <p>37X36X17mm</p>	<p>W x 2</p> <p>300 x 25mm</p>			



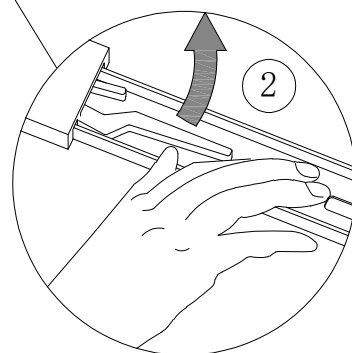
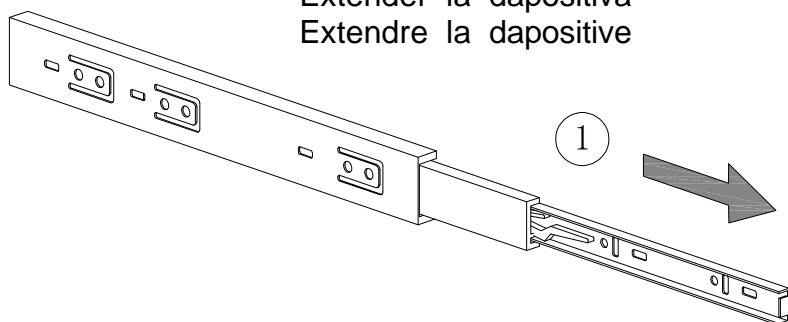
**Slides Must be Separated Before Assembly.  
After Separated, Set Aside Until Needed for Assembly.**

Las diapositivas deben separarse antes del montaje.  
Después de la separación, déjelo a un lado hasta que sea necesario.

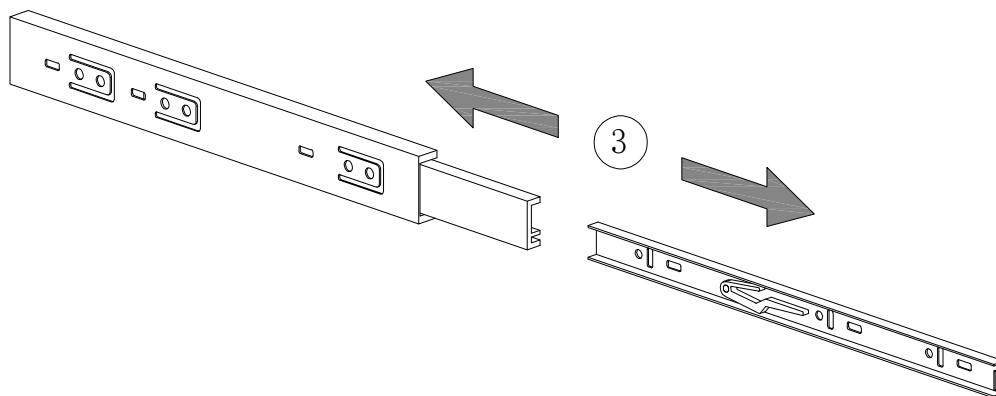
Les glissières doivent être séparées avant l'assemblage.  
Après la séparation, mettez de côté jusqu'au moment de l'assemblage.



**Step 1: Extend slide**  
Extender la dapositiva  
Extendre la dapositive



**Step 3: Remove Runner**  
Quitar el corredor  
Enlever le coureur



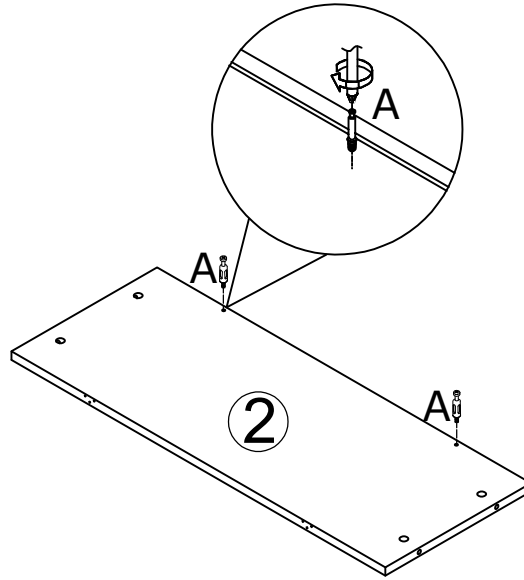
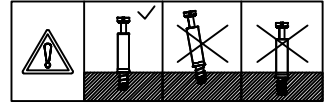
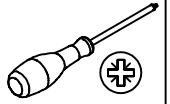
**Step 2: Push Lever Up**  
Empujar hacia arriba  
Lever le levir

# 1

A x 2



Ø6 x 28mm

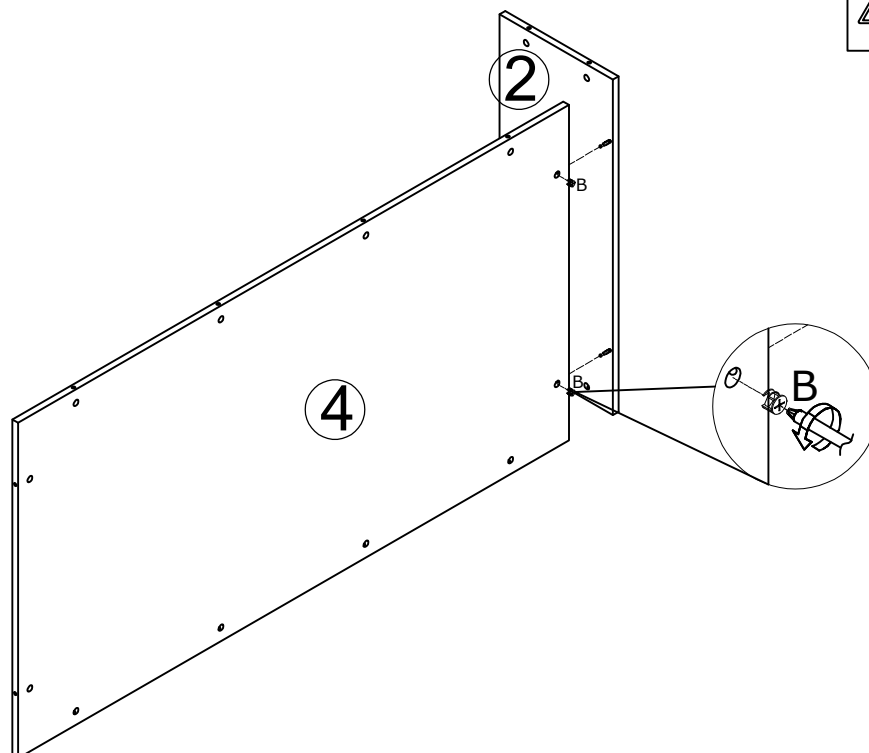
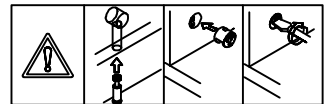
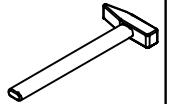
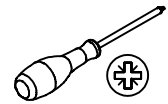


# 2

B x 2

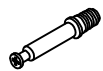


Ø15 x 10mm

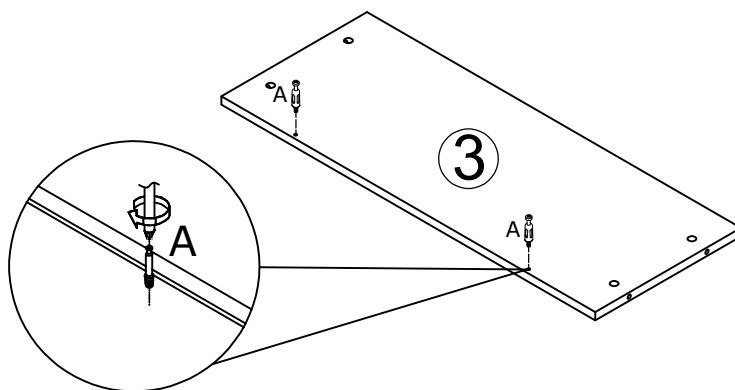
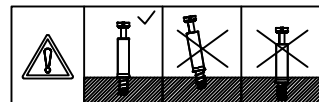
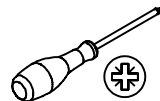


# 3

A x 2



Ø6 x 28mm

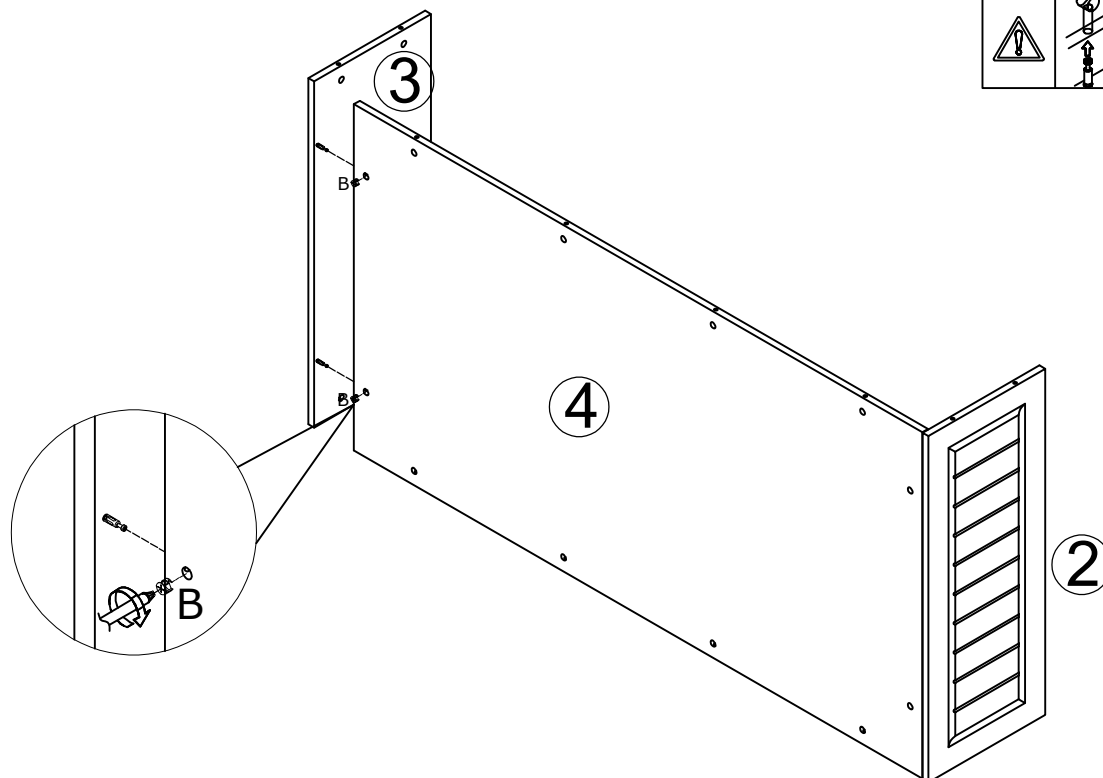
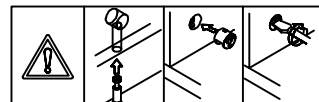


# 4

B x 2

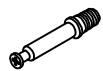


Ø15 x 10mm

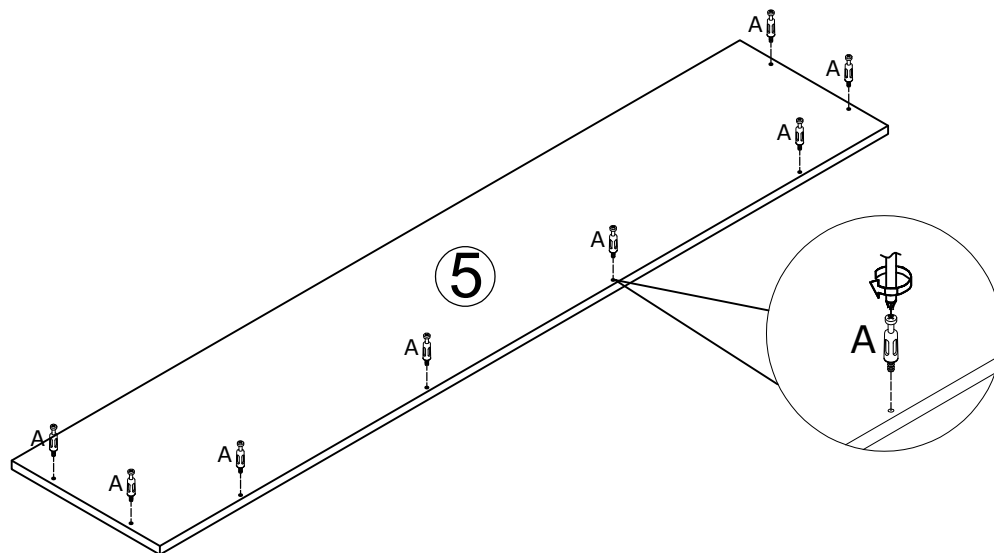
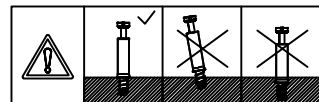
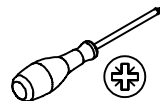


# 5

A x 8



Ø6 x 34mm

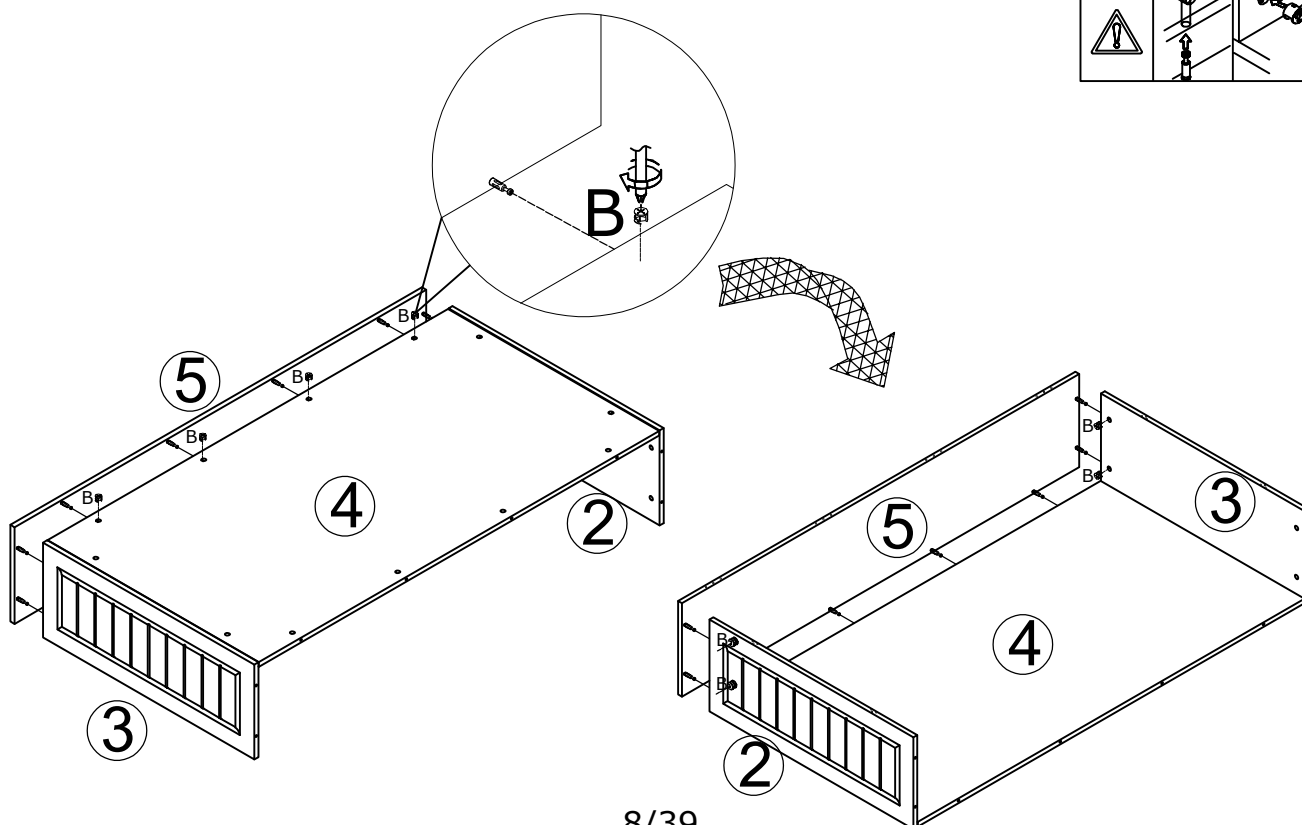
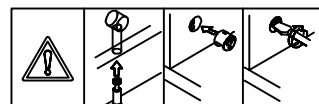
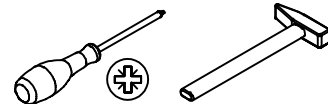


# 6

B x 8



Ø15 x 10mm

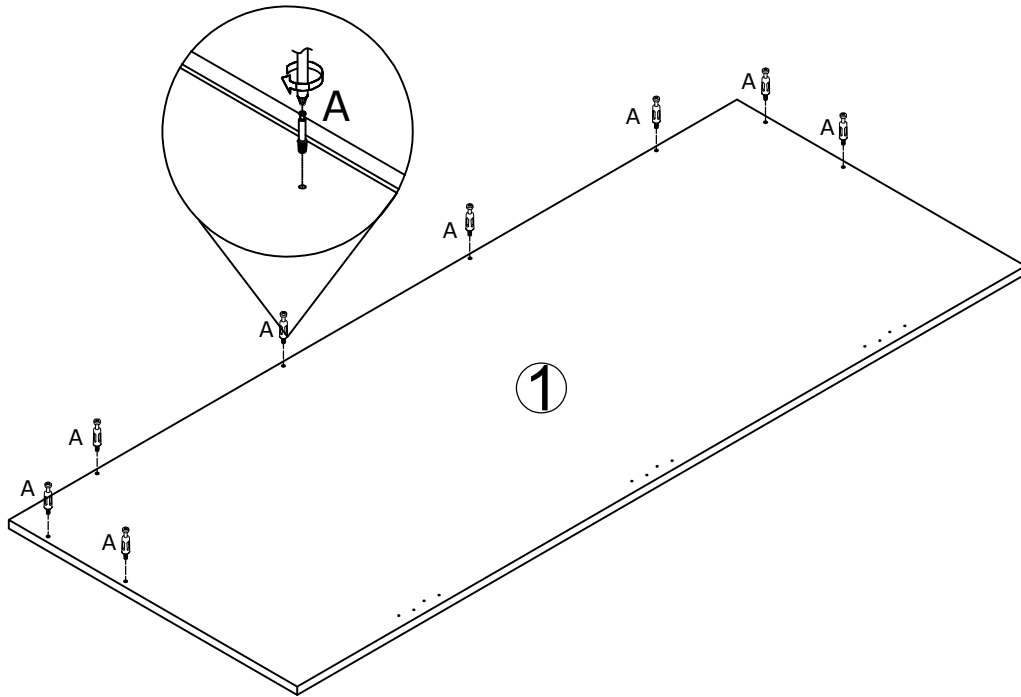
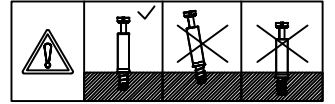
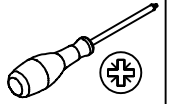


# 7

A x 8



Ø6 x 28mm



# 8

B x 8

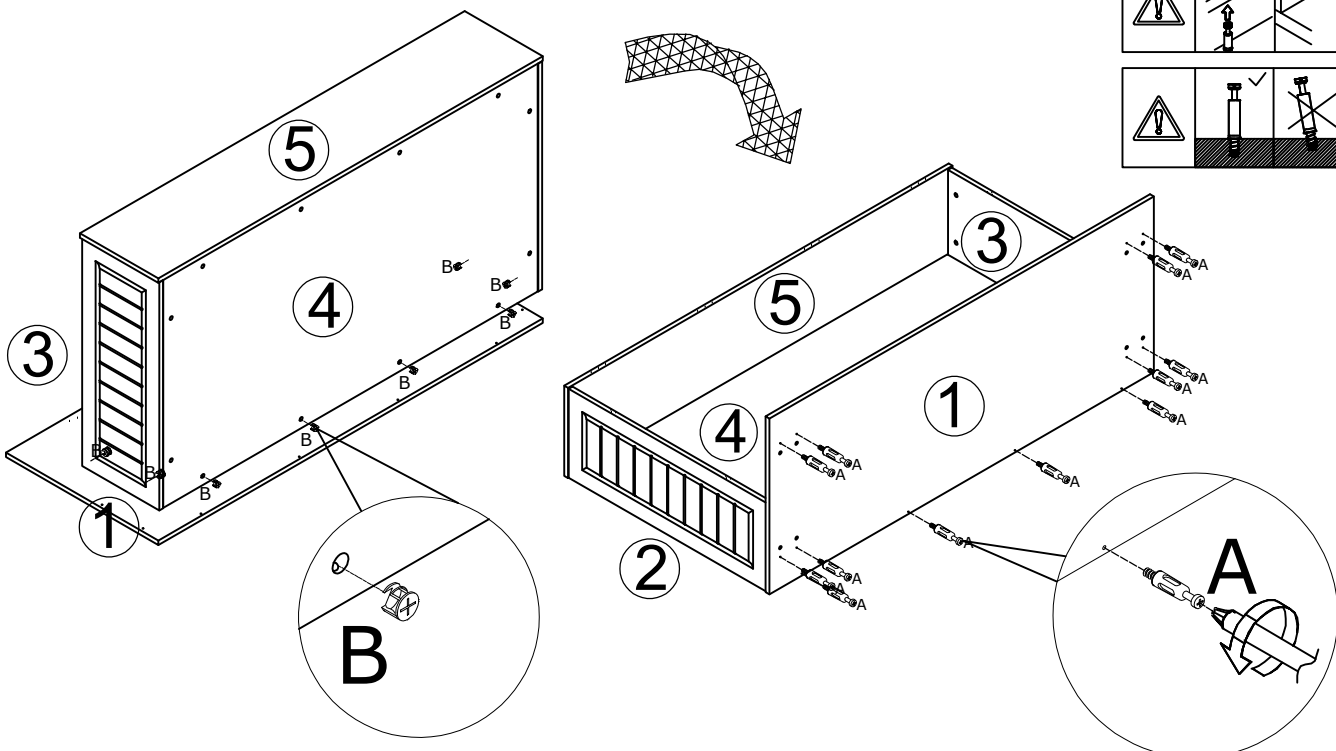
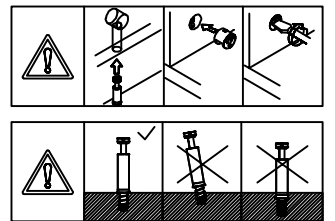
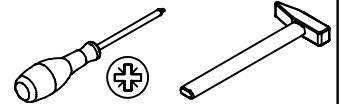


Ø15 x 10mm

A x 12



Ø6 x 28mm

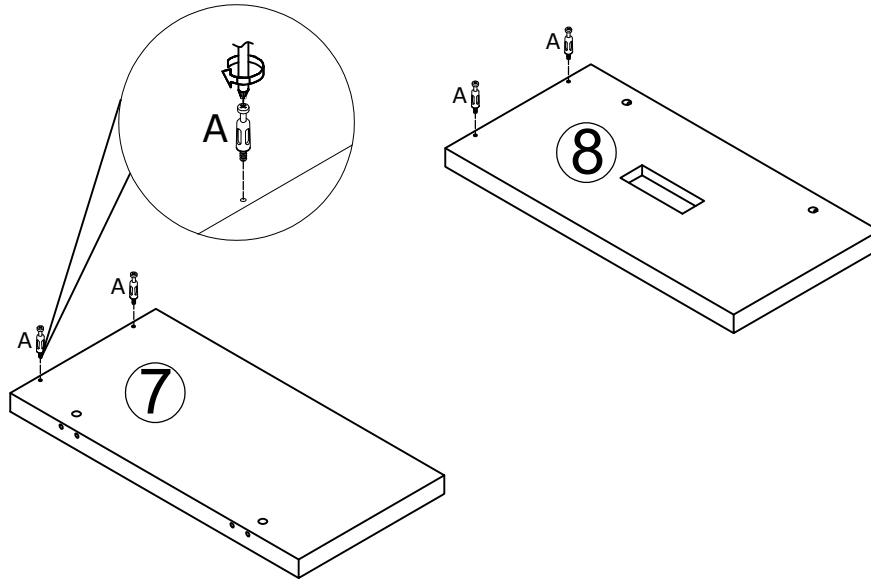
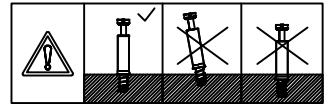
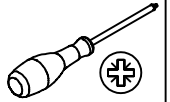


# 9

A x 4



Ø6 x 34mm

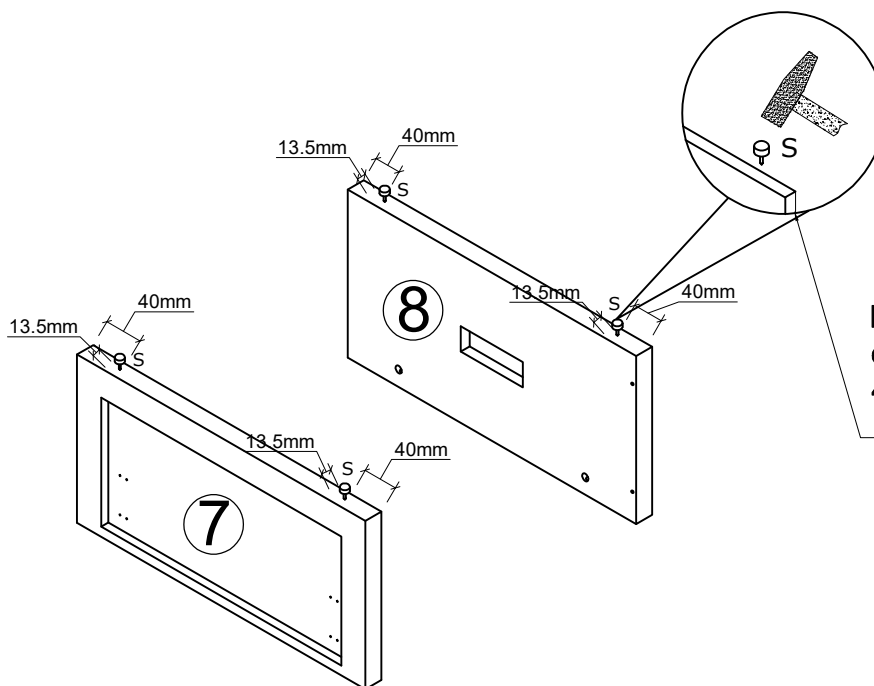
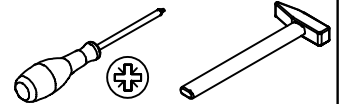


# 10

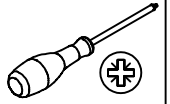
S x 4



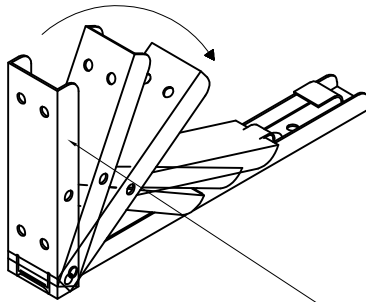
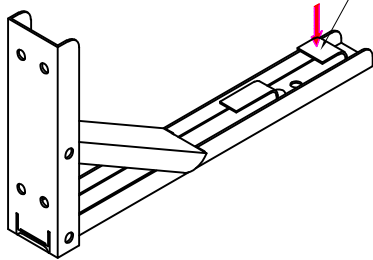
Ø15 x 10mm



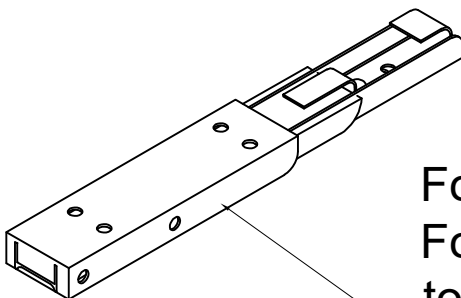
Nail the foot pins into the long edge without holes, centered and 40mm away from the side edge.



Switch  
Gently press to unlock.



Folding,  
Fold downwards



Fold the bracket,  
Fold it effortlessly  
to save space

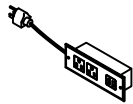
# 12

H x 18



Ø3.5 x 14mm

U x 1

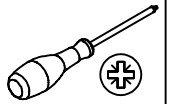


161x54x40mm

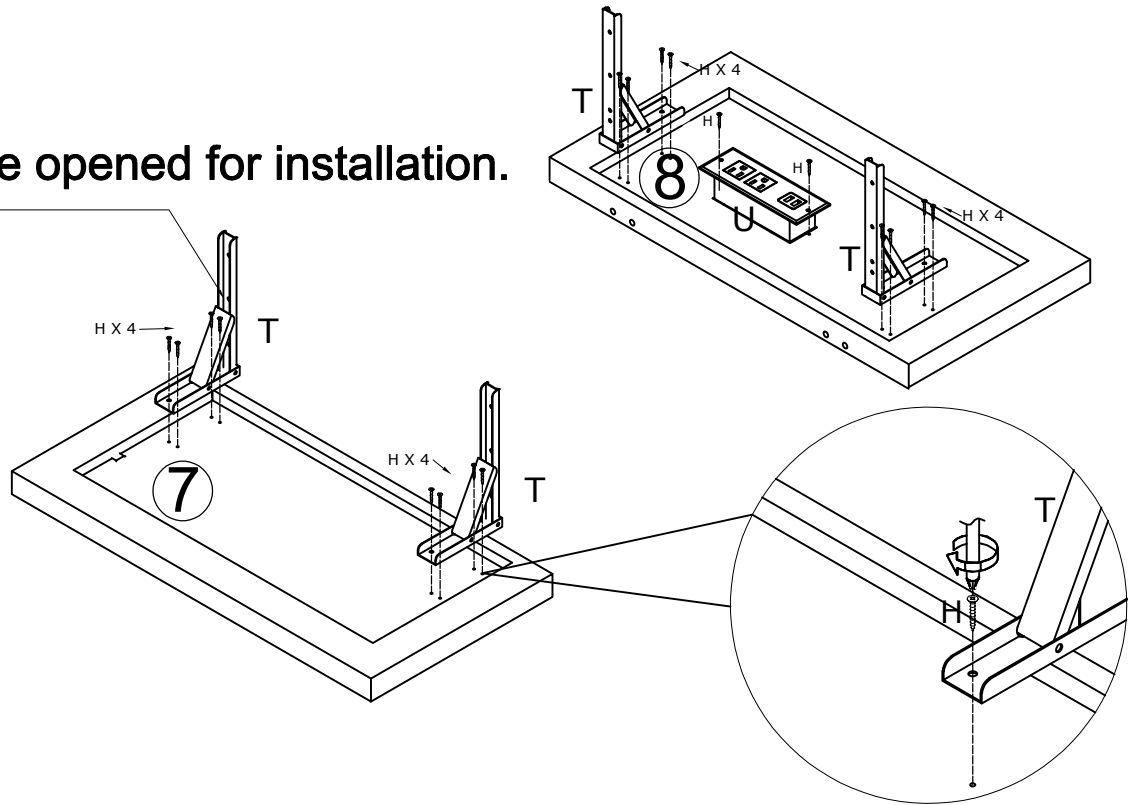
T x 4



161x54x40mm



Bracket,  
Needs to be opened for installation.

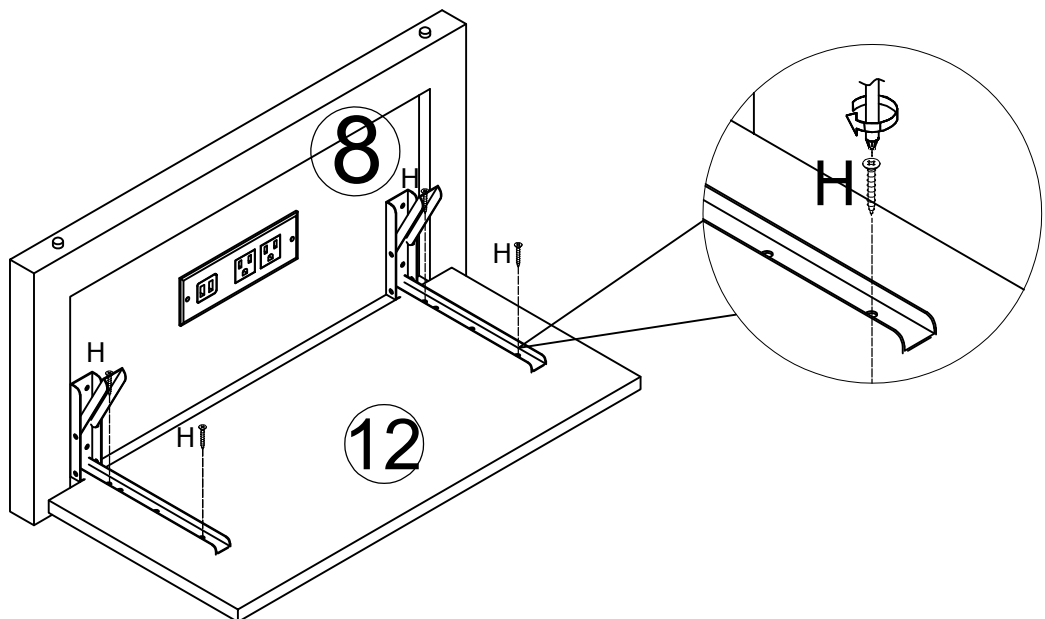
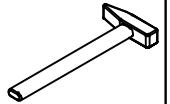
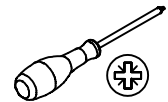


# 13

H x 4



Ø3.5 x 14mm

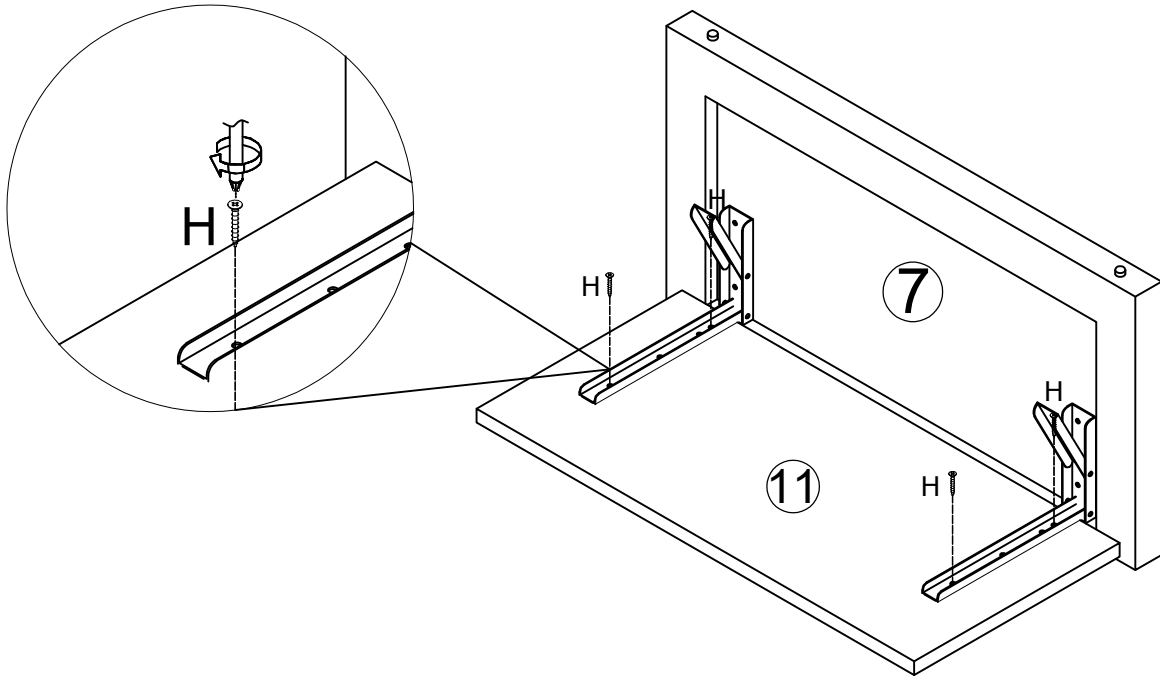
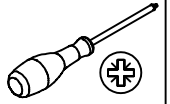


# 14

H x 4



Ø3.5 x 14mm

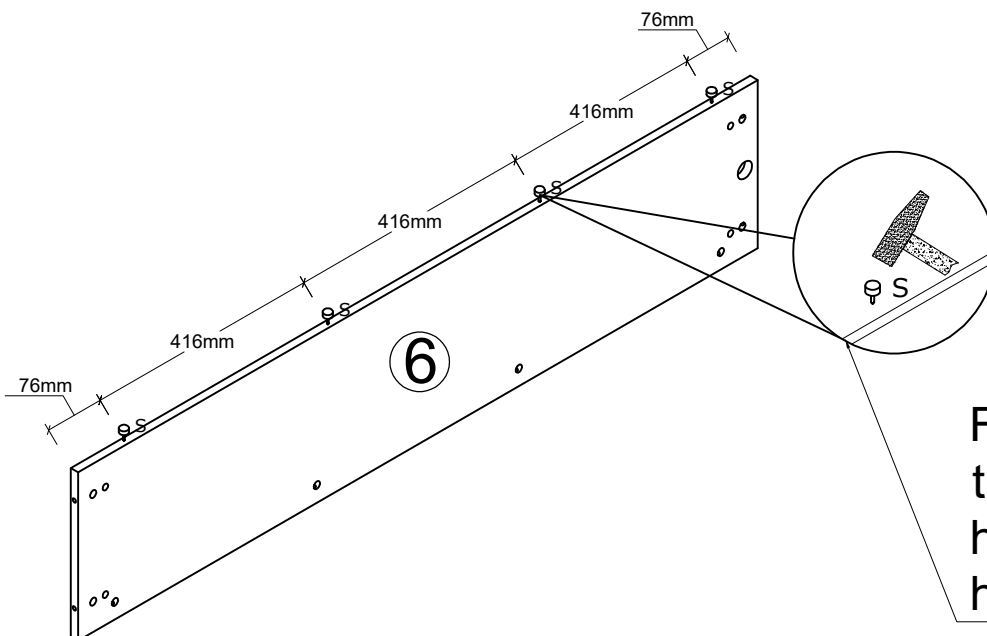
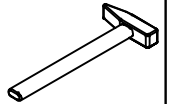
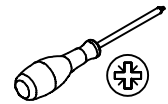


# 15

S x 4



Ø15 x 10mm



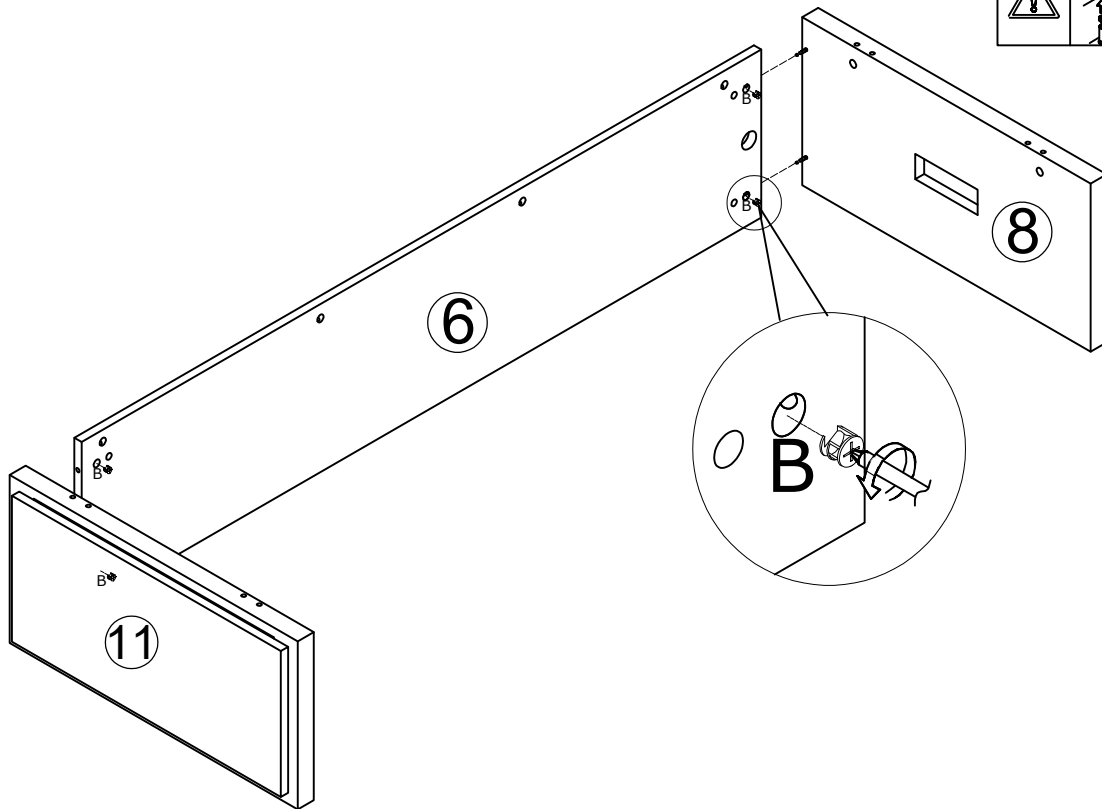
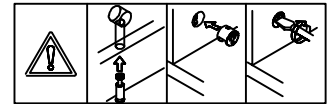
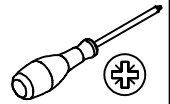
Foot pins, nail into the side without holes, centered and hammer in.

# 16

B x 4



Ø15 x 10mm



# 17

B x 8

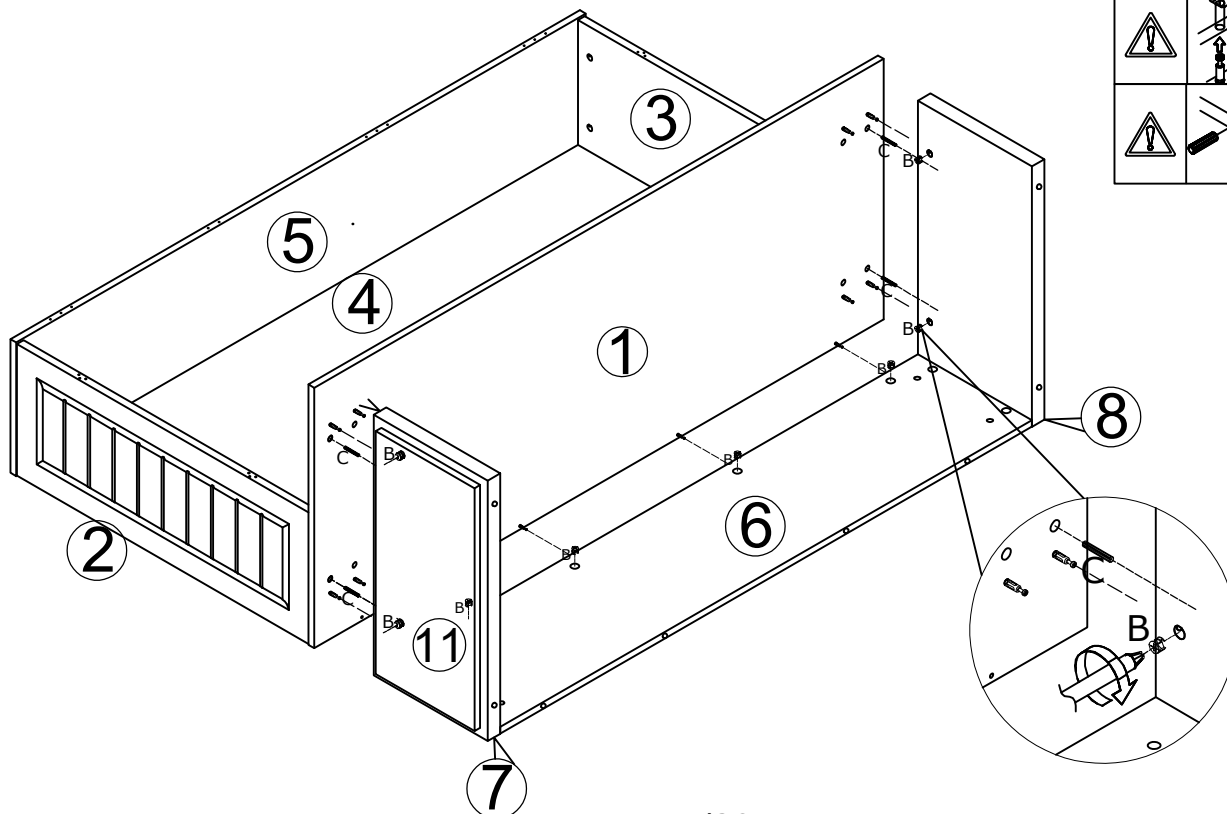
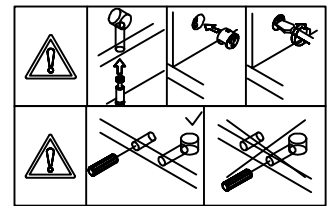
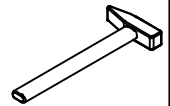
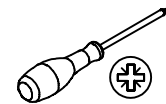


Ø15 x 10mm

C x 4



Ø8 x 30mm

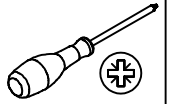


# 18

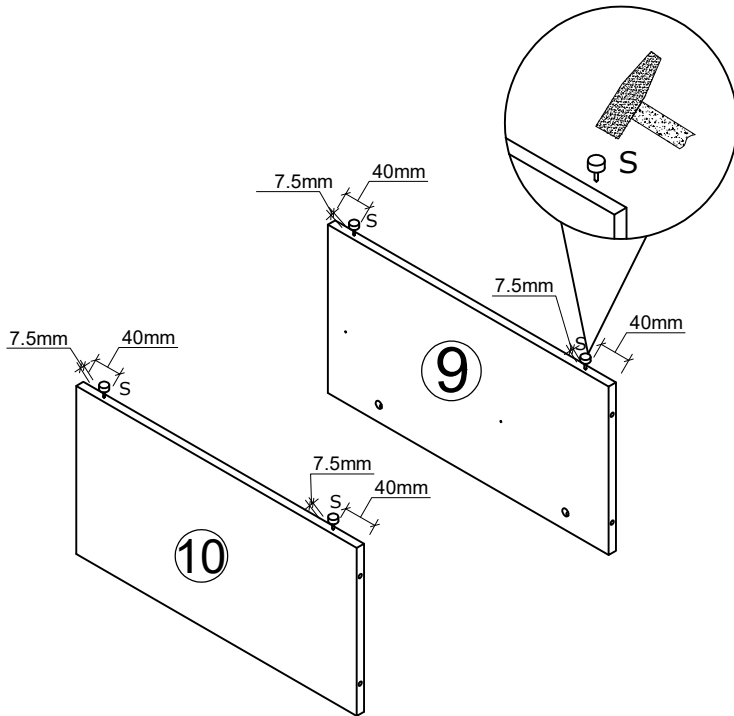
S x 4



Ø15 x 10mm



Nail the foot pins into the long edge without holes, centered and 40mm away from the side edge



# 19

H x 4

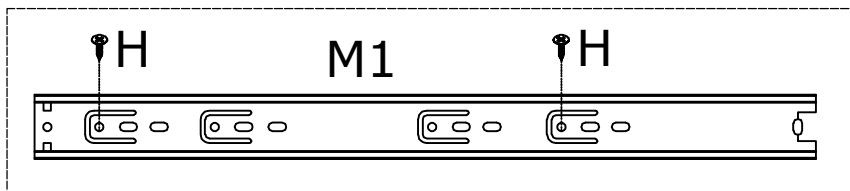
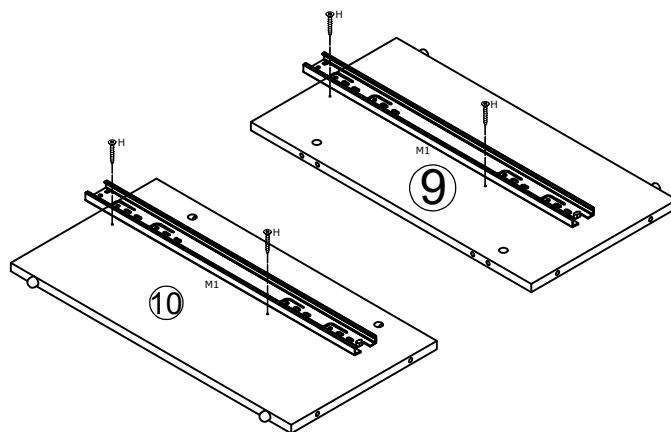
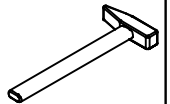
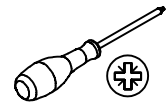


Ø3.5 x 14mm

M x 2



550 mm



# 20

B x 4



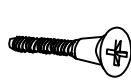
Ø15 x 10mm

C x 4

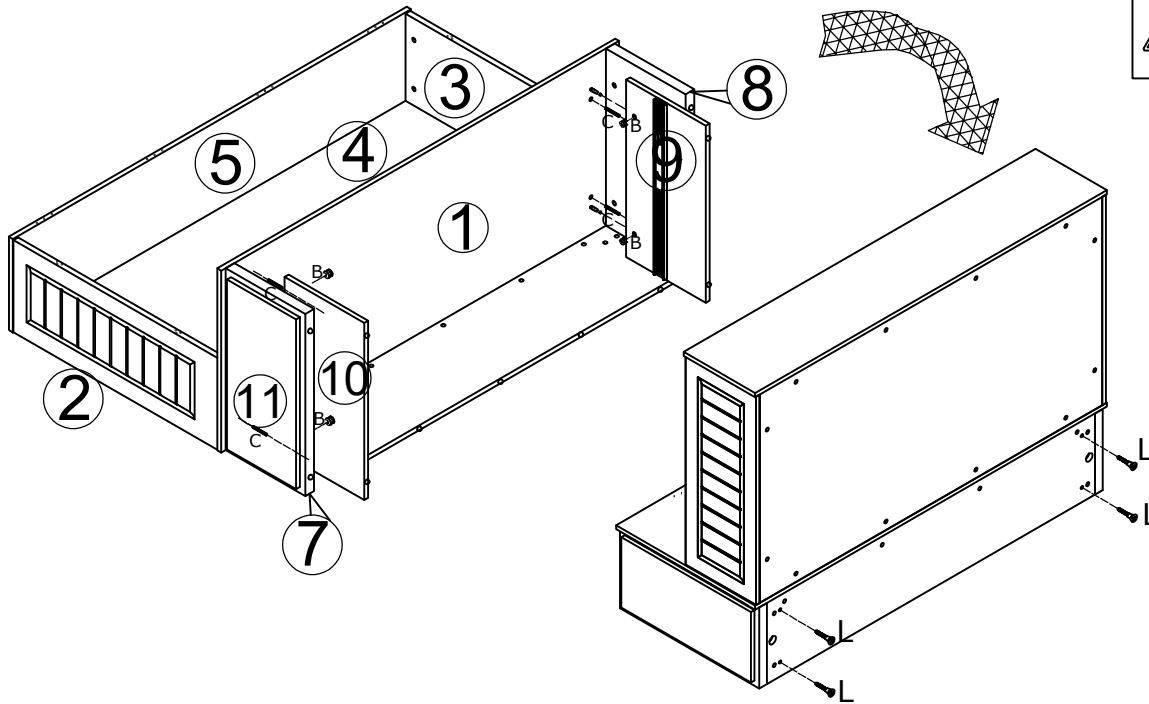
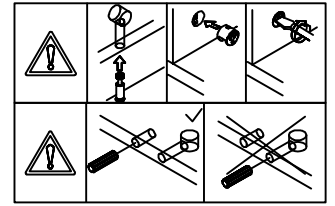
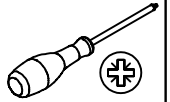


Ø8 x 30mm

L x 4

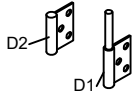


Ø7 x 38mm



# 21

Dx 4



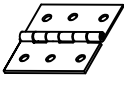
Ø15 x 10mm

H x 12



Ø3.5 x 14mm

F x 4

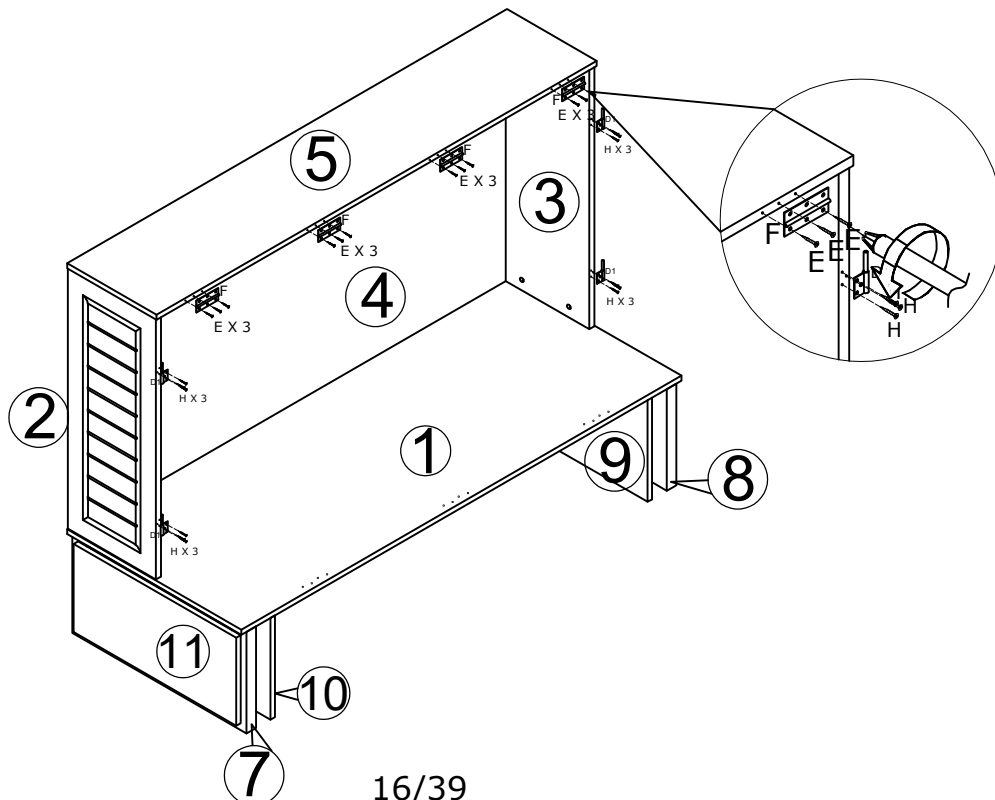
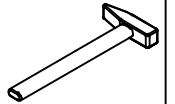
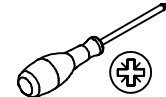


65 x 35mm

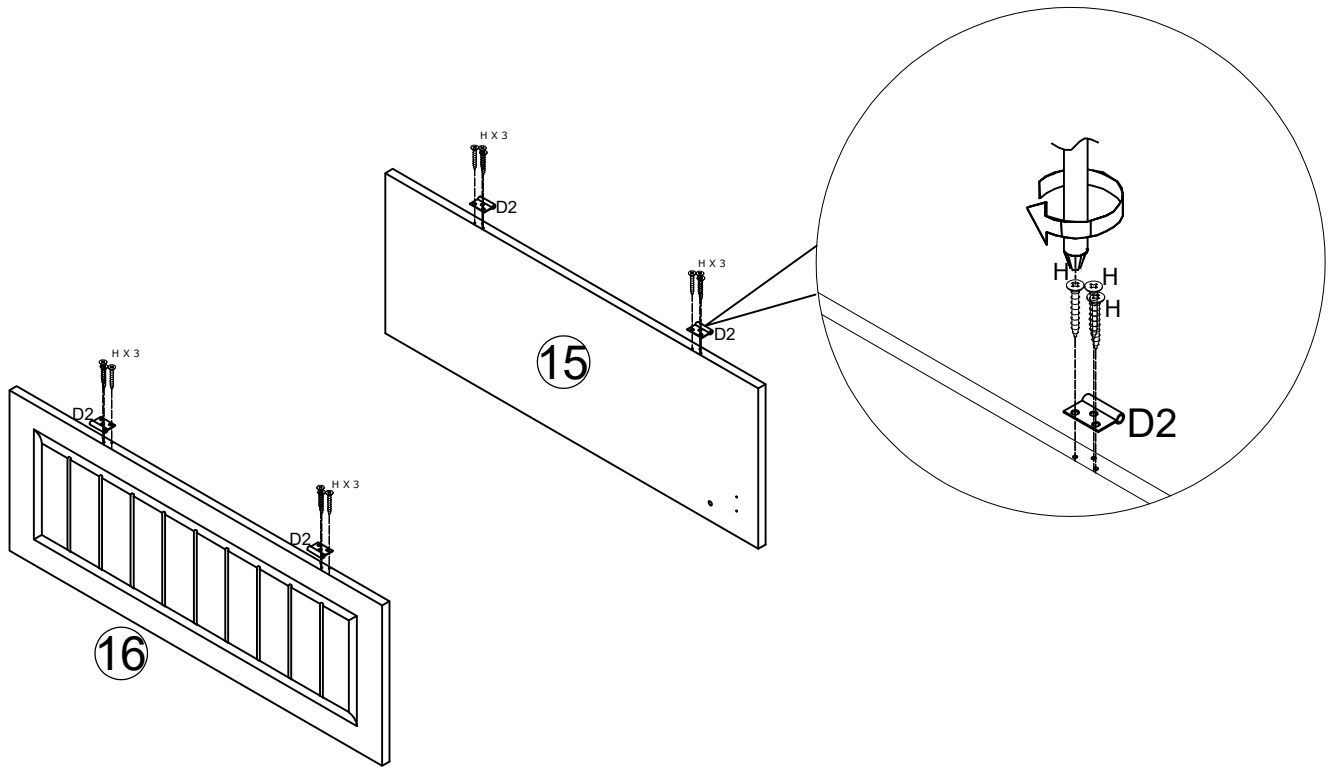
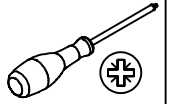
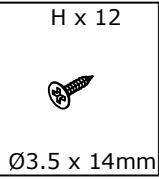
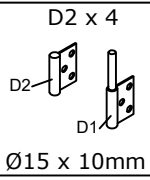
E x 12



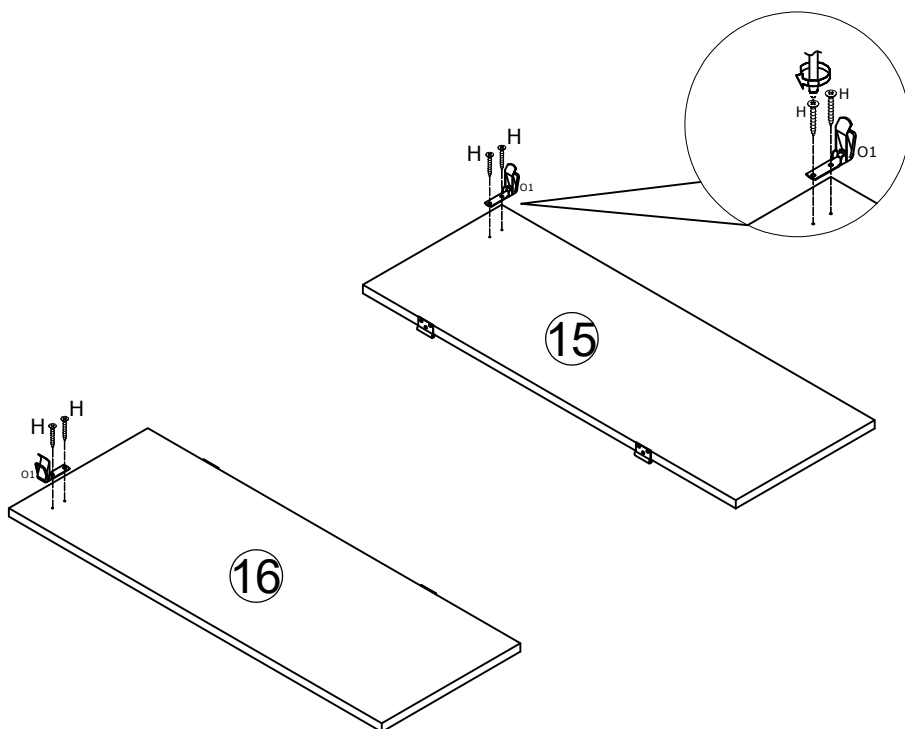
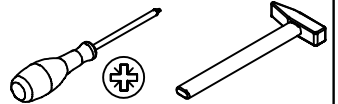
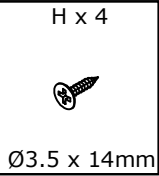
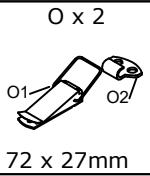
Ø3 x 14mm



# 22



# 23



# 24

H x 4



Ø3.5 x 14mm

Q x 4

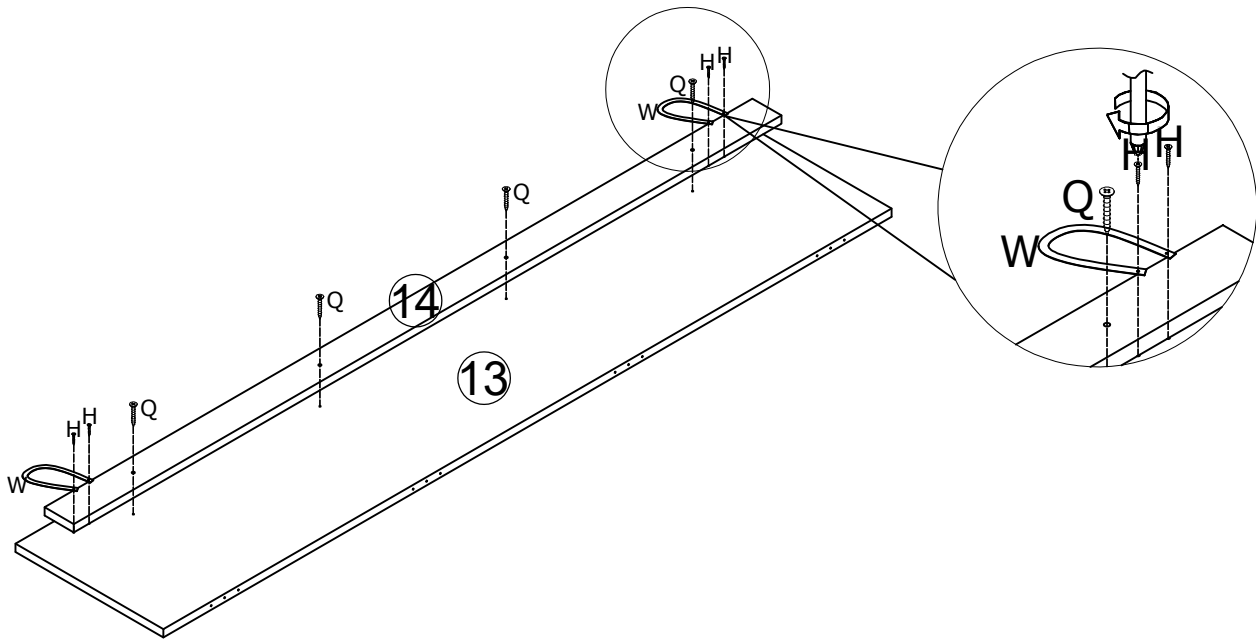
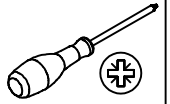


Ø3.5 x 25mm

W x 2



300 x 25mm

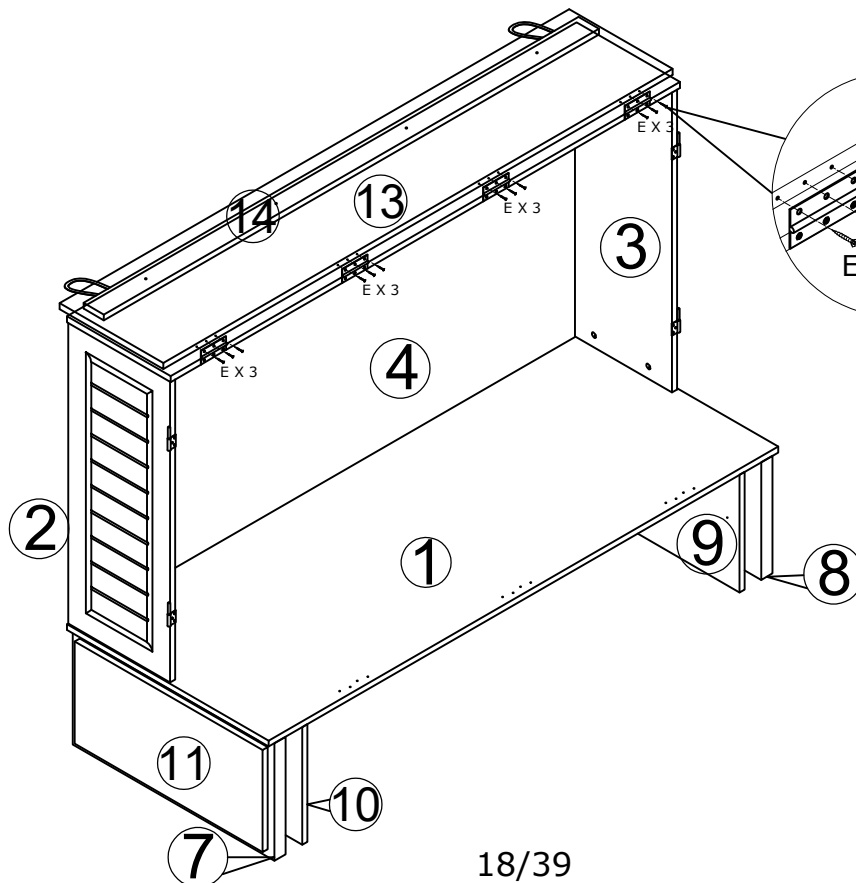
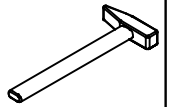
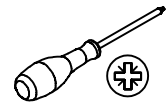


# 25

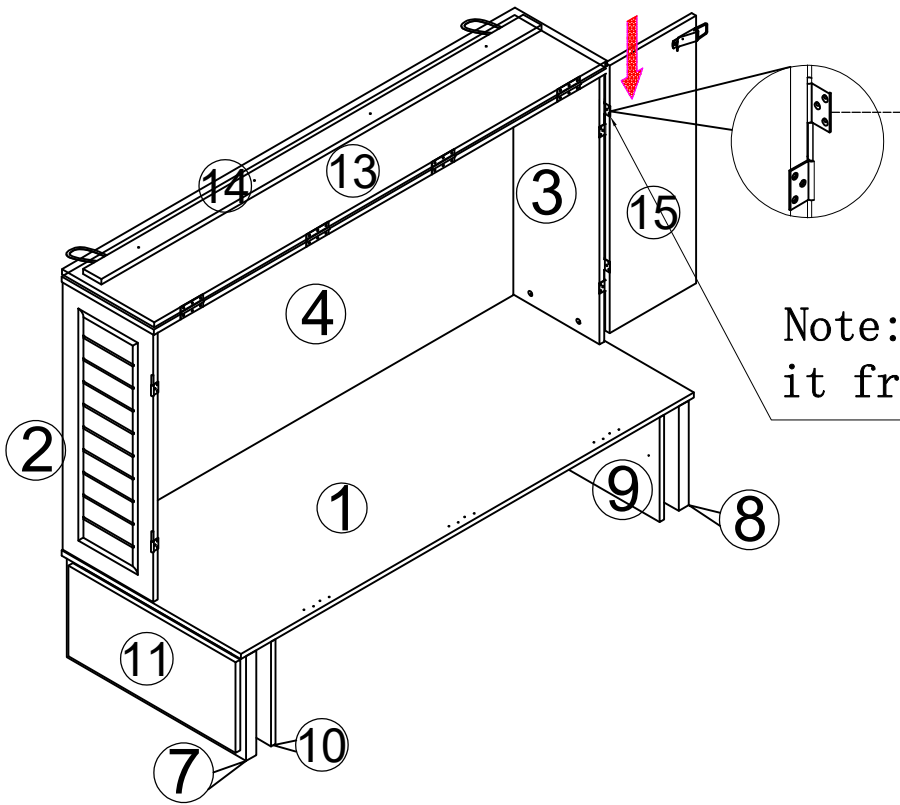
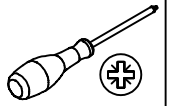
E x 12



Ø3 x 14mm

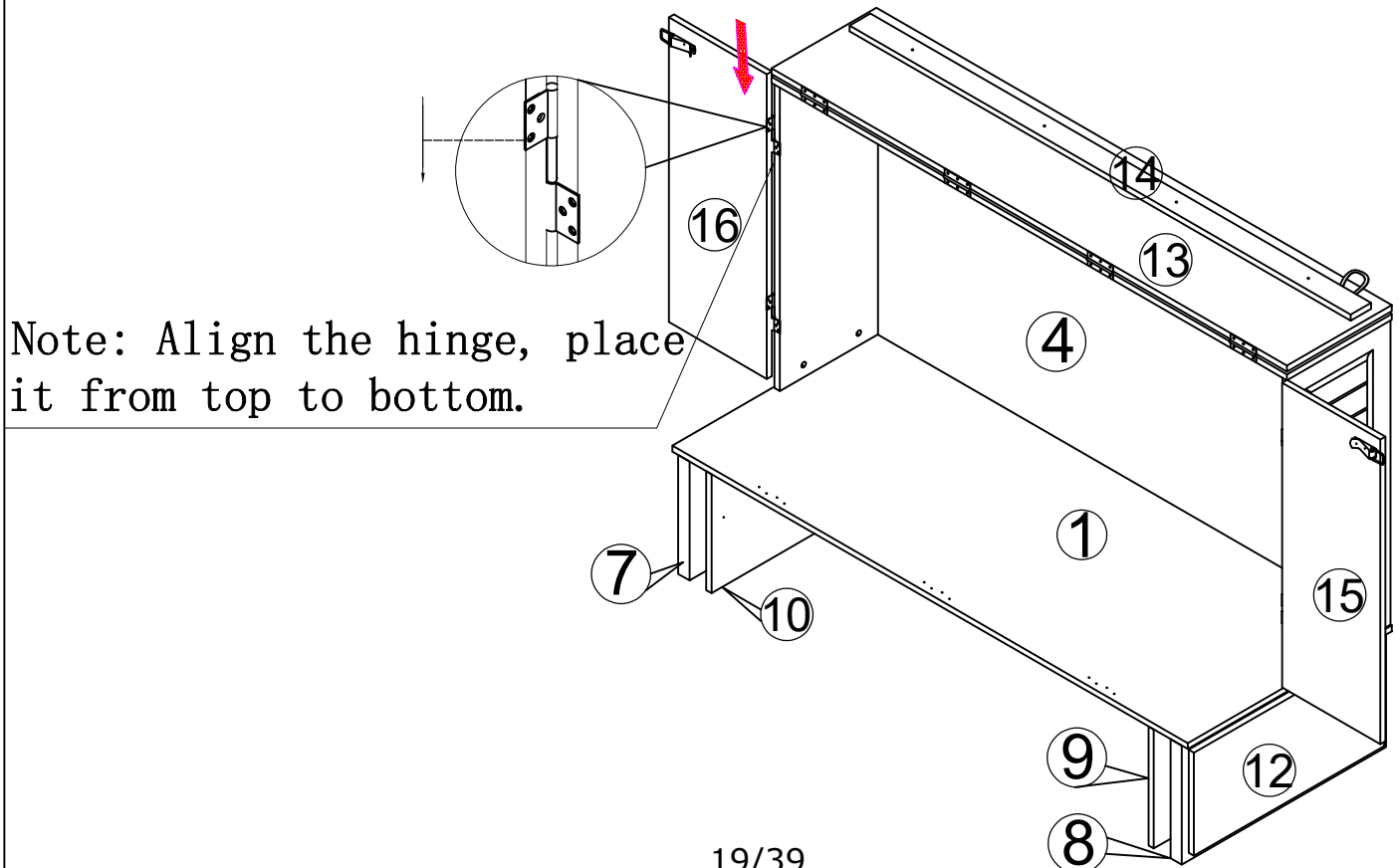
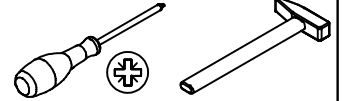


# 26



Note: Align the hinge, place it from top to bottom.

# 27



Note: Align the hinge, place it from top to bottom.

# 28

H x 4

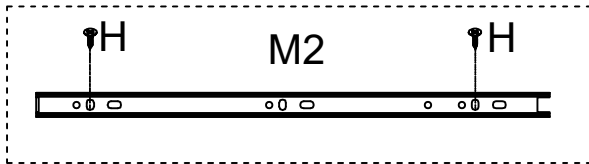
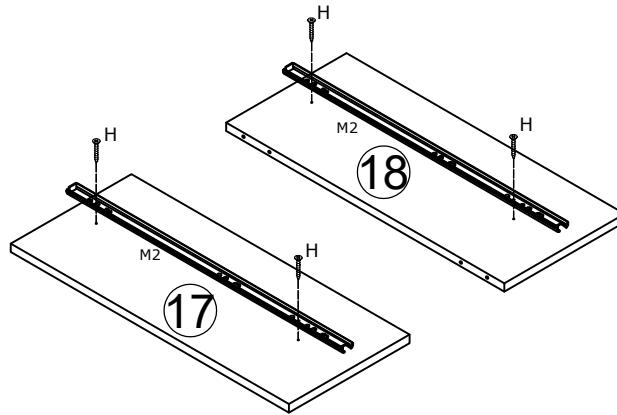
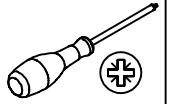


Ø3.5 x 14mm

M x 2



550 mm



# 29

H x 4



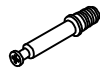
Ø3.5 x 14mm

N x 2

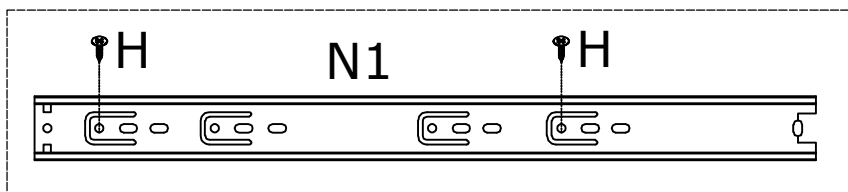
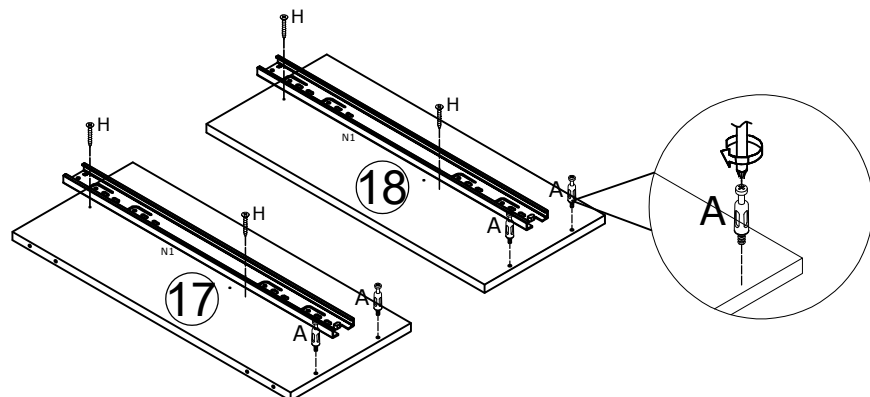
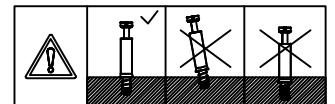
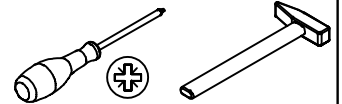


500 mm

A x 4



Ø6 x 28mm



# 30

B x 4



Ø15 x 10mm

Q x 8

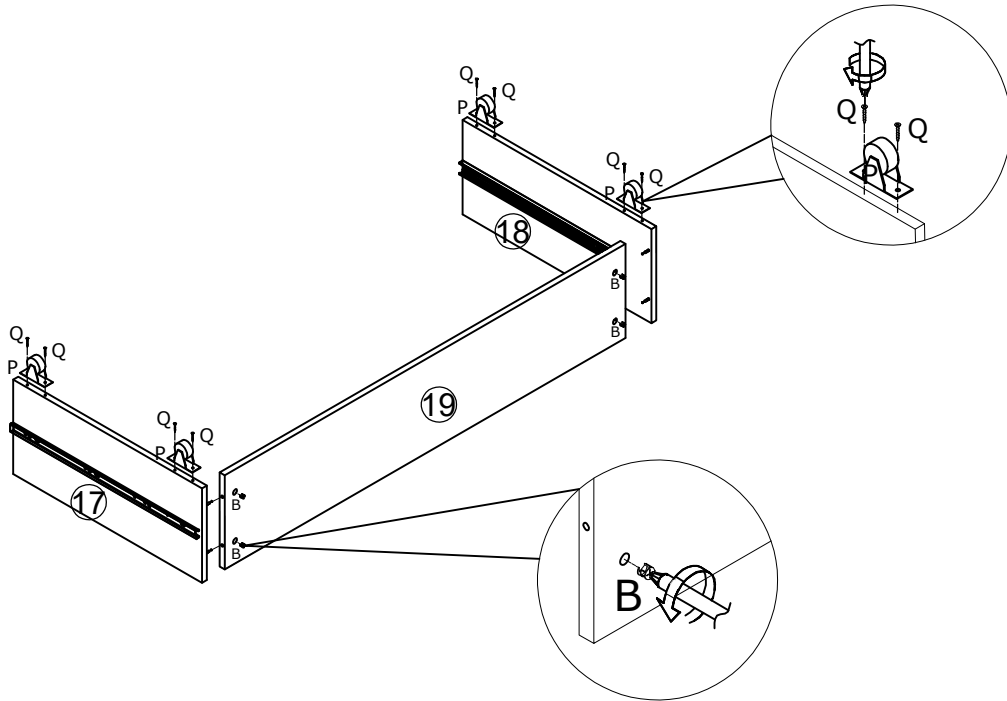
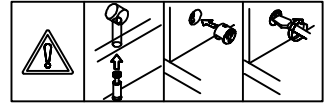
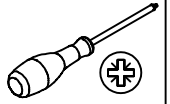


Ø3.5 X 25mm

P x 4



H52mm



# 31

R x 4

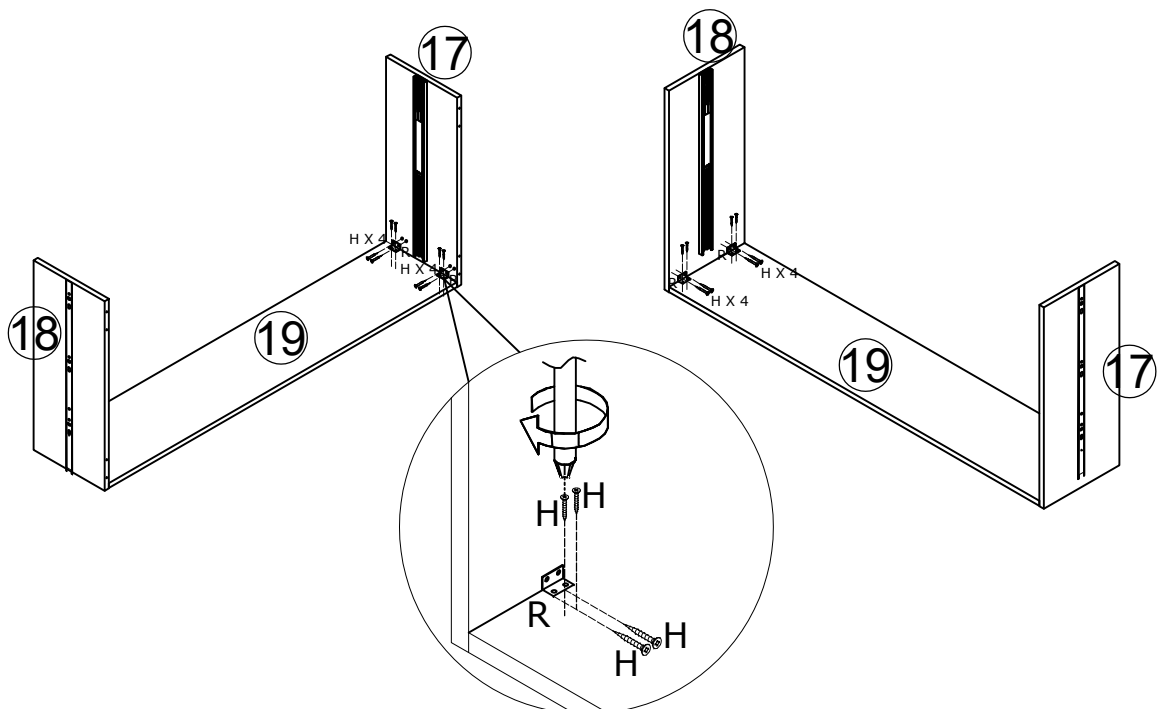
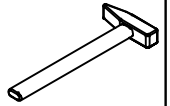
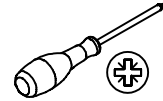


25 x 15 X 15mm

H x 16



Ø3.5 x 14mm



# 32

H x 4

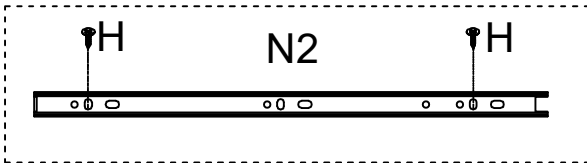
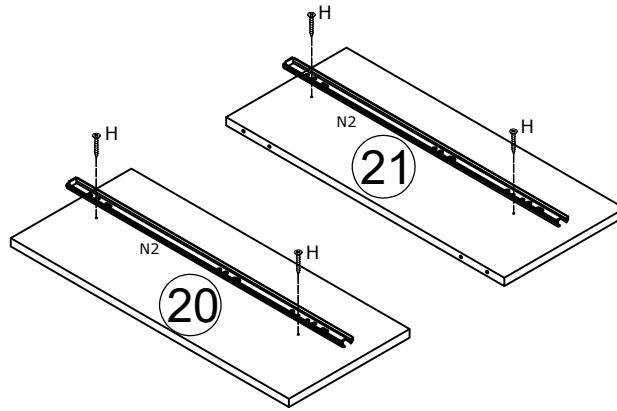
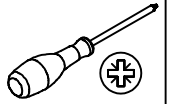


Ø3.5 x 14mm

N x 2



500 mm



# 33

H x 4



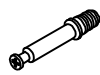
Ø3.5 x 14mm

N x 2

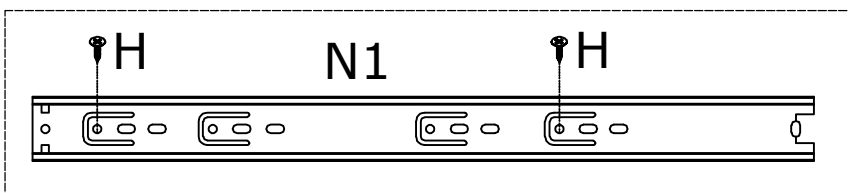
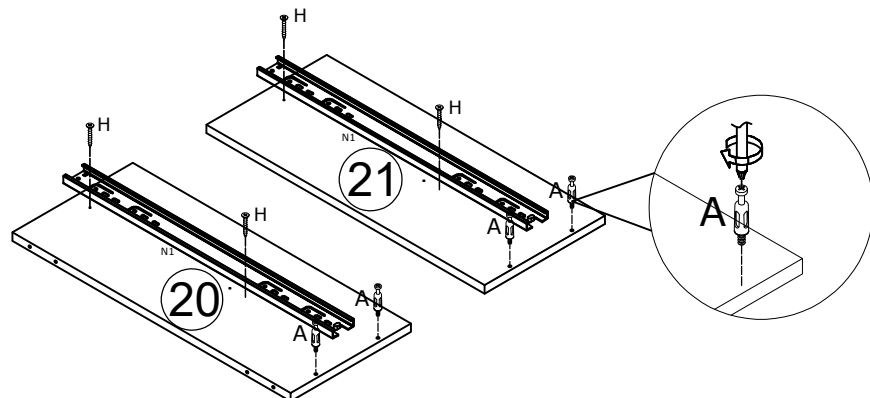
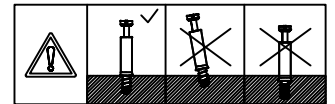
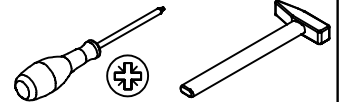


500 mm

A x 4



Ø6 x 28mm



# 34

B x 4



Ø15 x 10mm

Q x 8

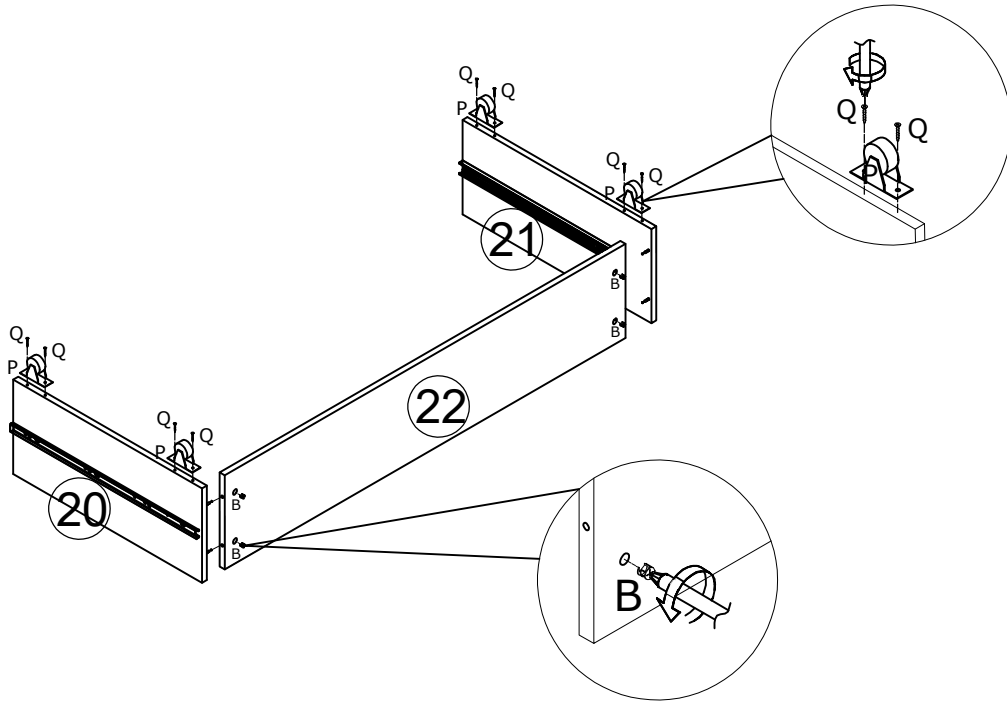
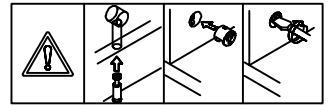
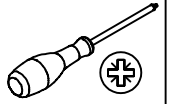


Ø3.5 x 25mm

P x 4



H52mm



# 35

R x 4

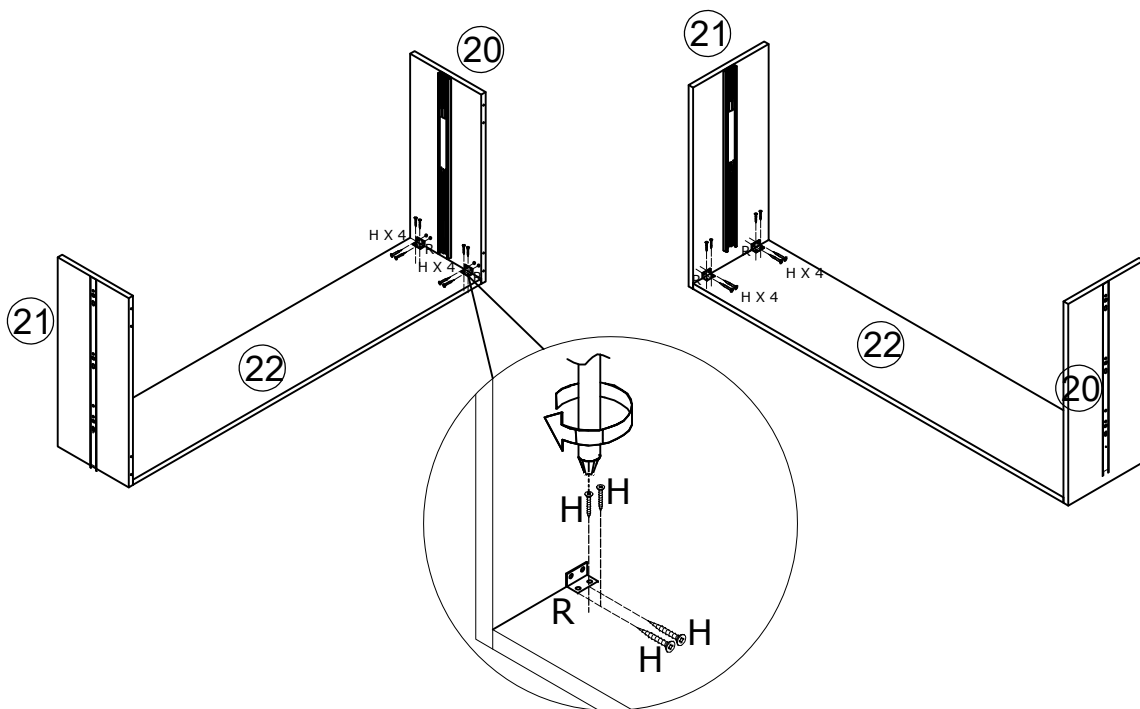
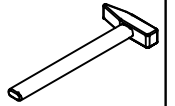
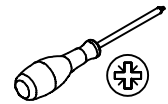


25 x 15 x 15mm

H x 16



Ø3.5 x 14mm



# 36

H x 4

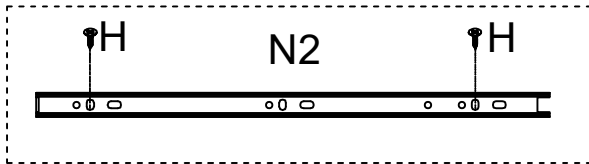
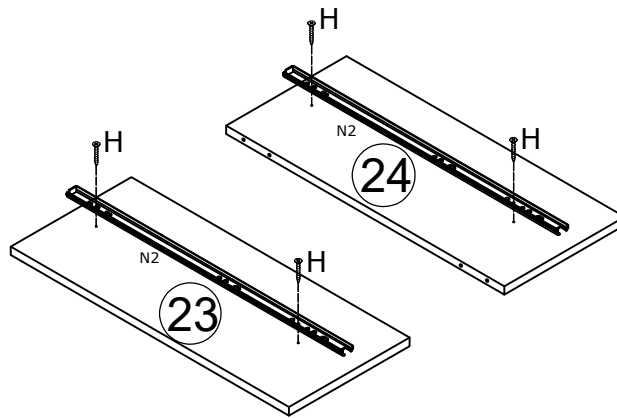
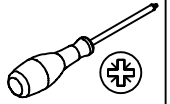


Ø3.5 x 14mm

N x 2

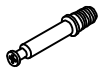


500 mm

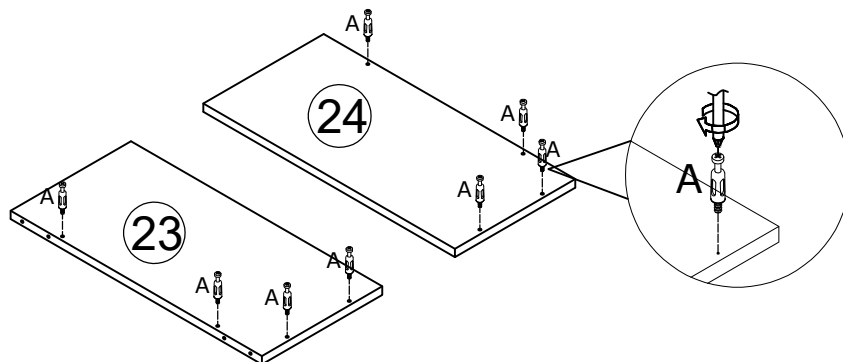
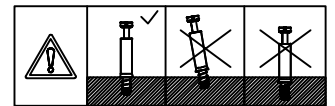
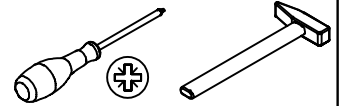


# 37

A x 8



Ø6 x 28mm

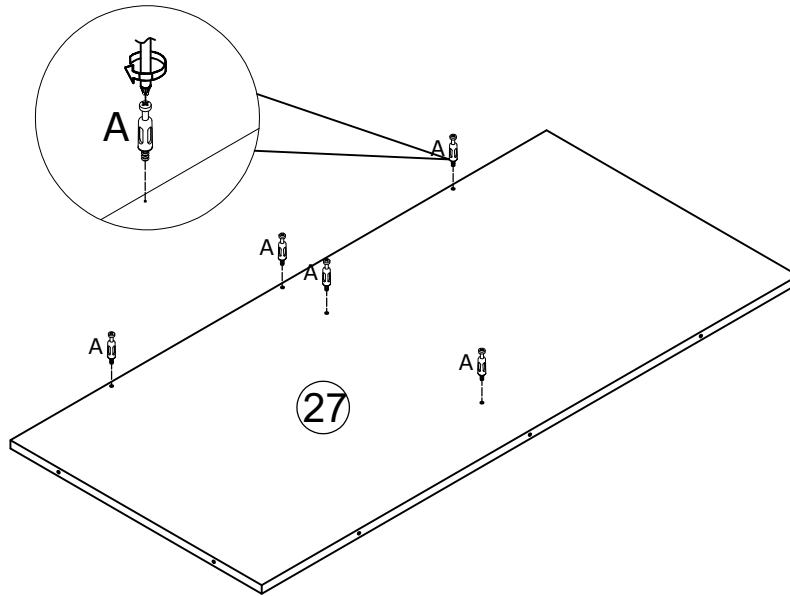
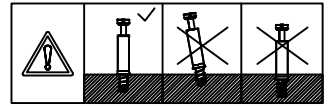
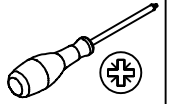


# 38

A x 5

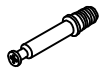


Ø6 x 28mm

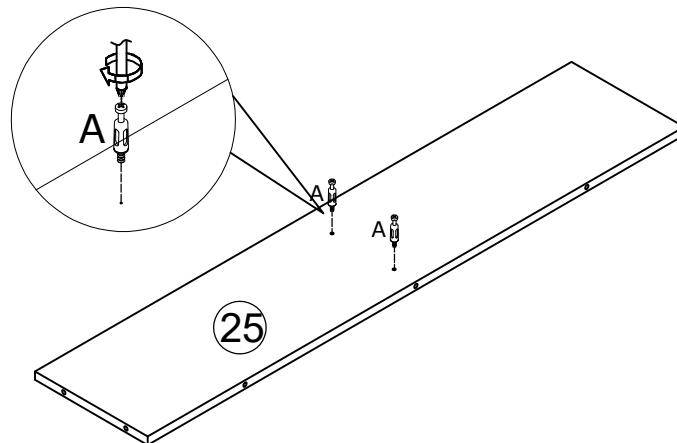
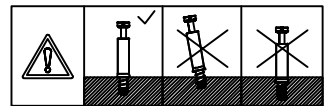
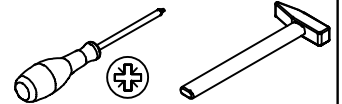


# 39

A x 2



Ø6 x 28mm

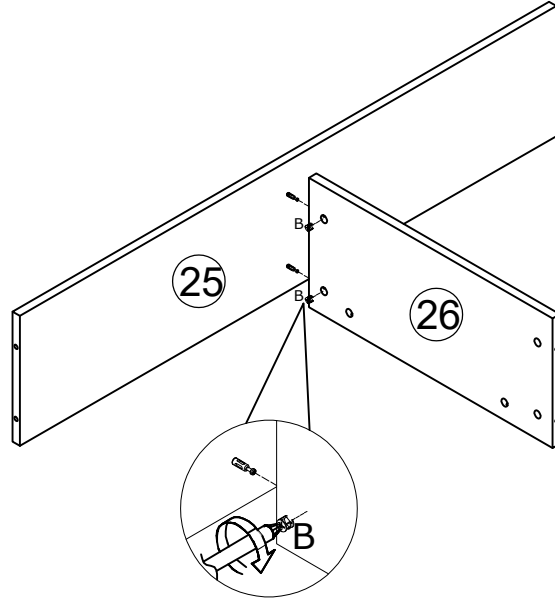
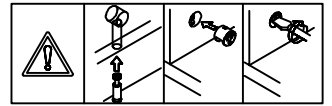
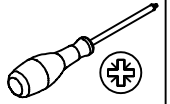


# 40

B x 2



Ø15 x 10mm

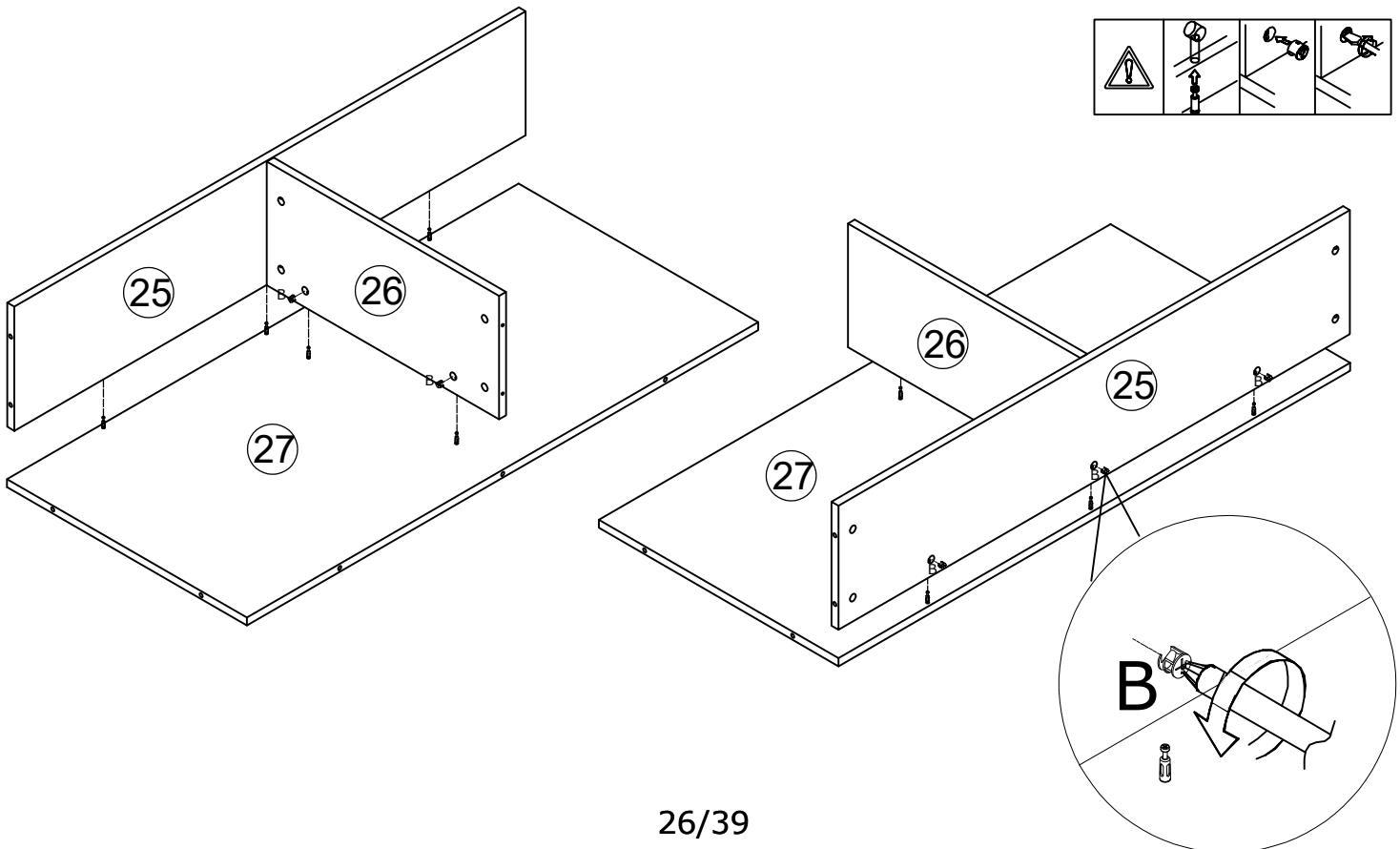
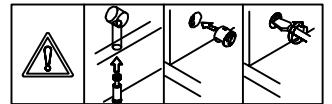
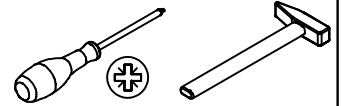


# 41

B x 5



Ø15 x 10mm

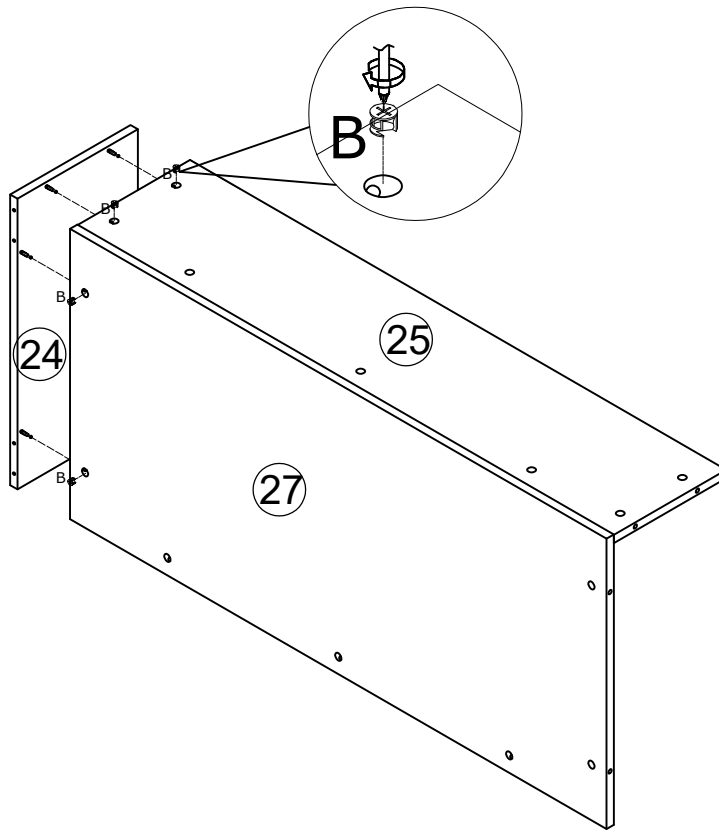
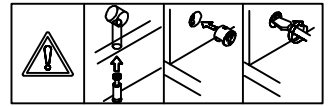
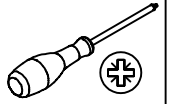


# 42

B x 4



Ø15 x 10mm

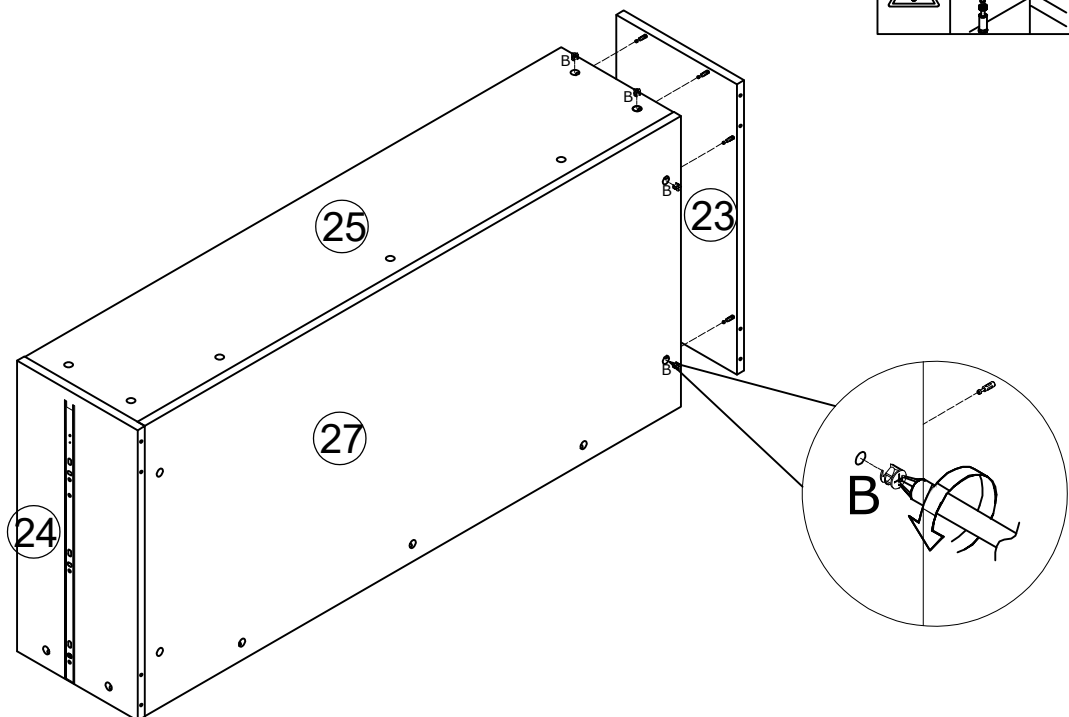
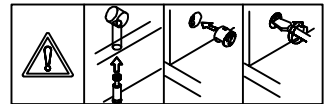
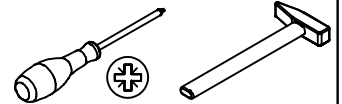


# 43

B x 4



Ø15 x 10mm

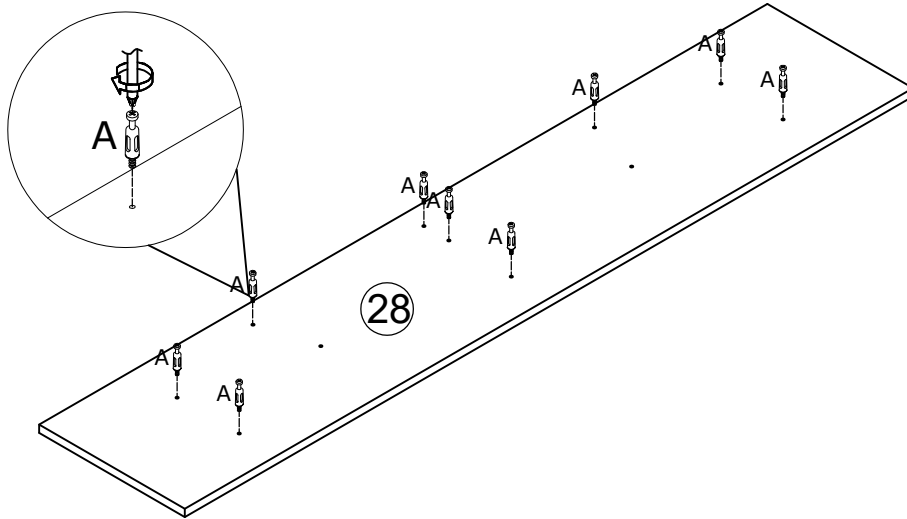
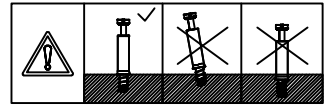
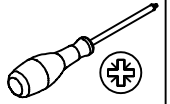


# 44

A x 9



Ø6 x 28mm

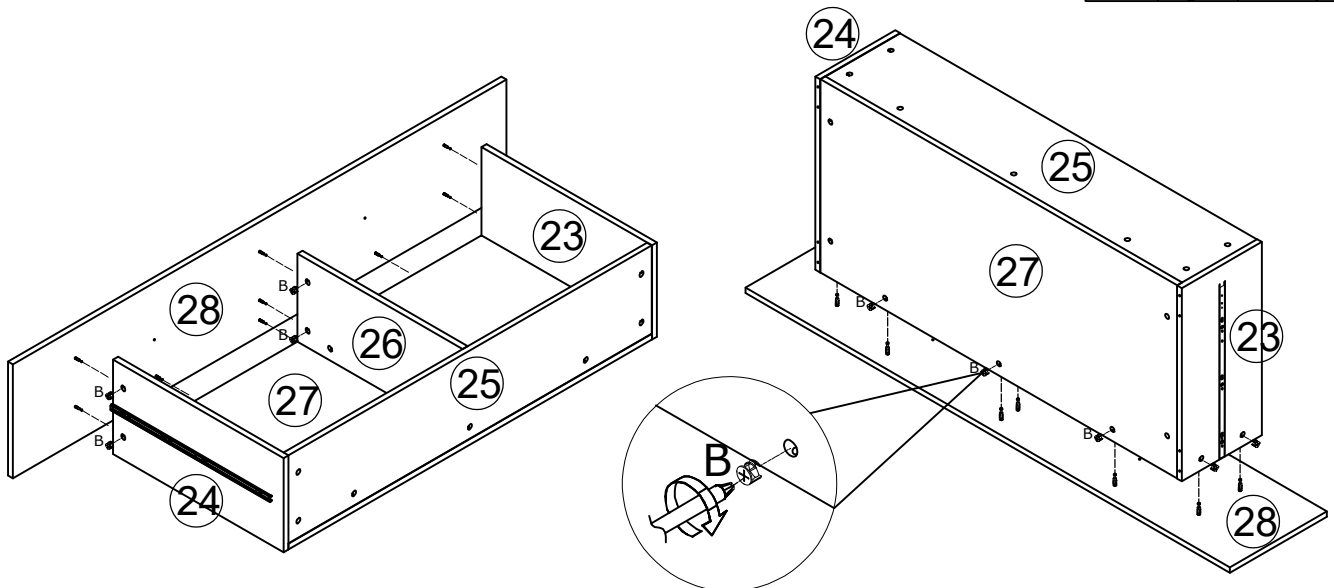
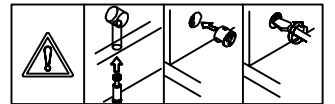
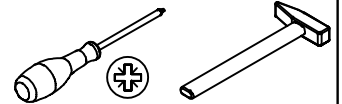


# 45

B x 9



Ø15 x 10mm



# 46

Q x 8

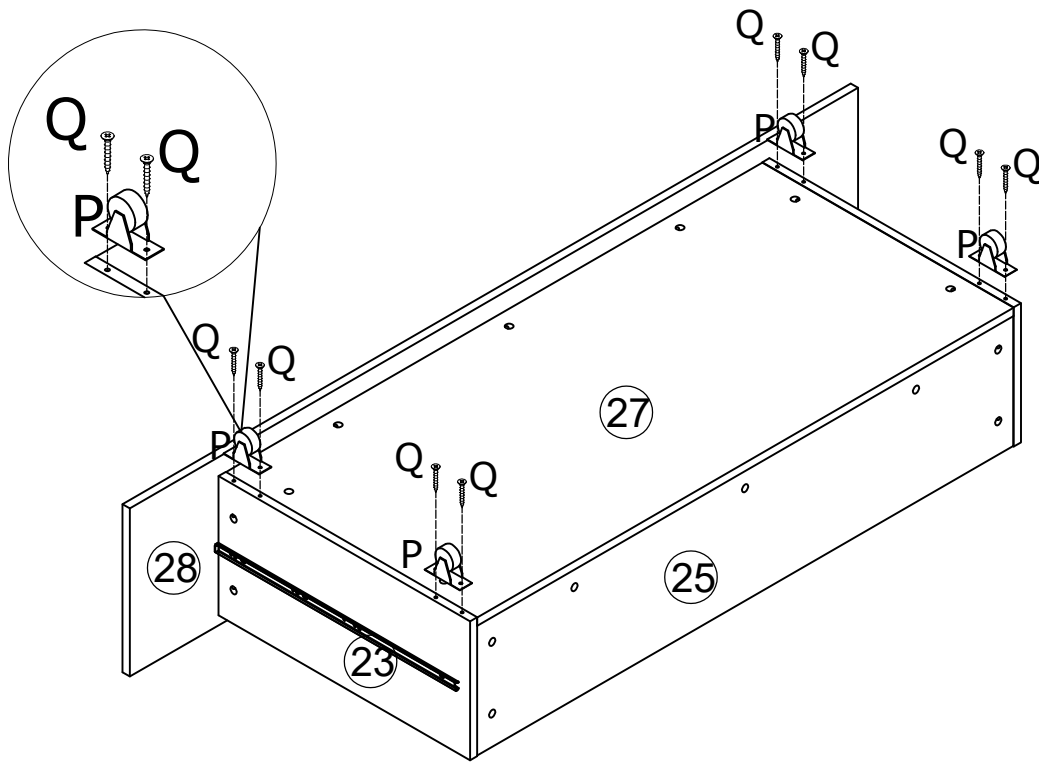
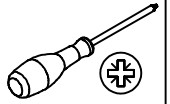


Ø3.5 x 25mm

P x 4



H52mm



# 47

J x 2

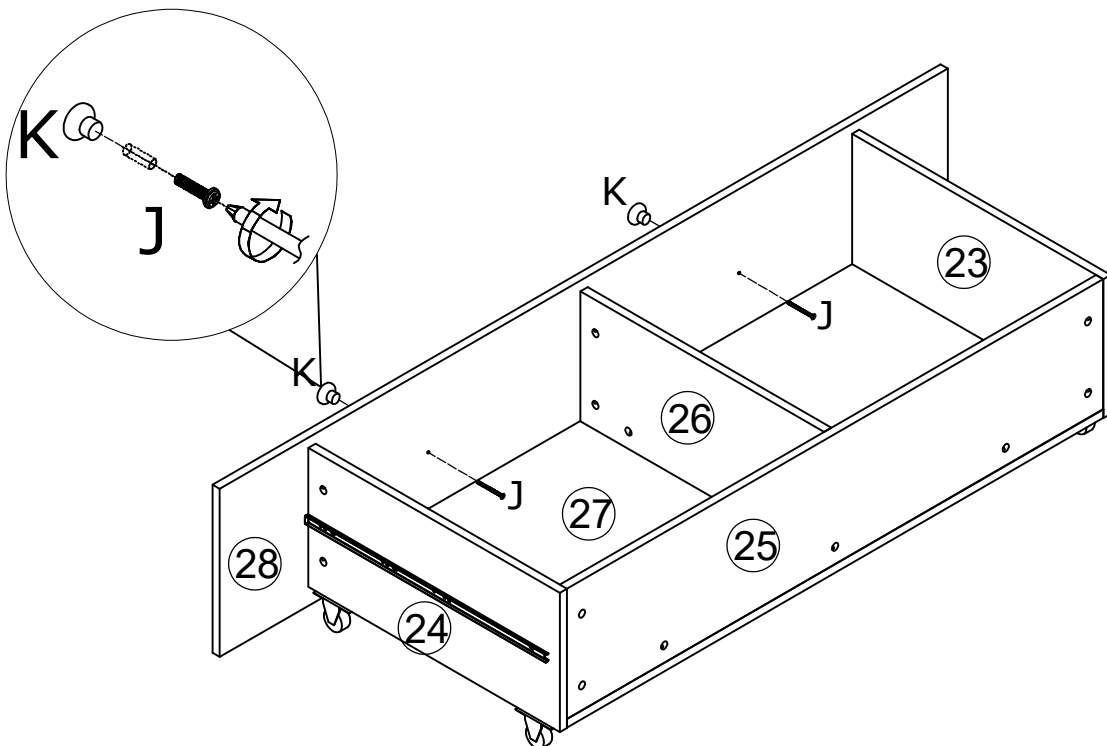
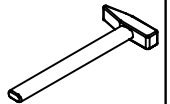
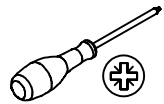


M4 X 25mm

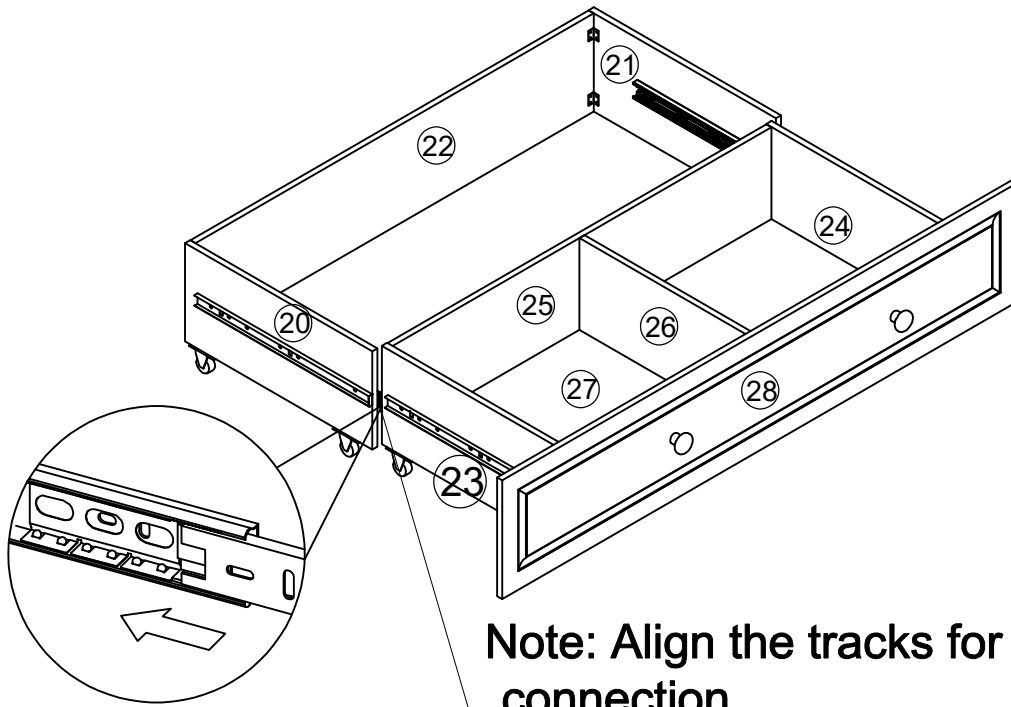
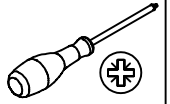
K x 2



mm

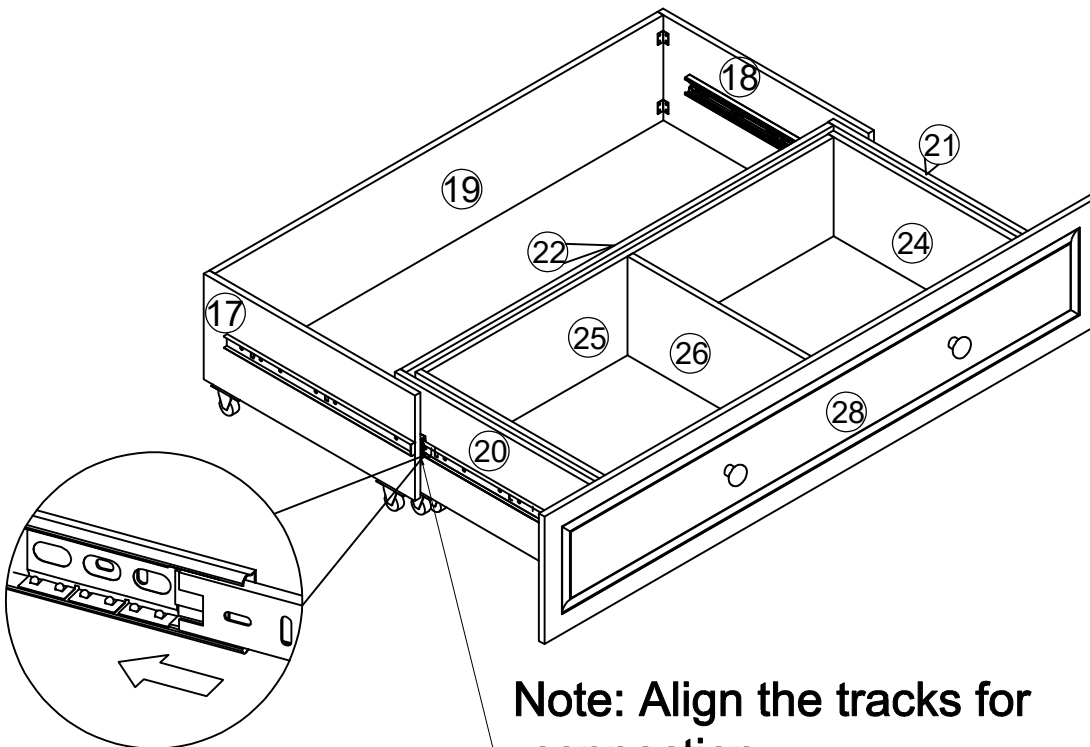
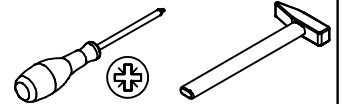


48



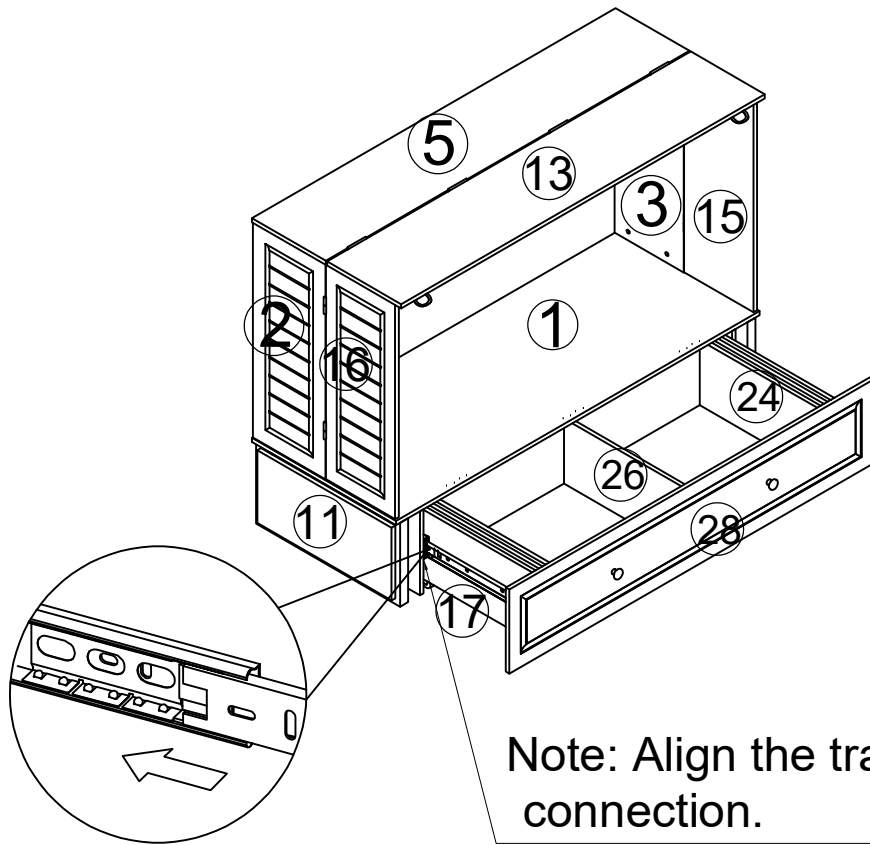
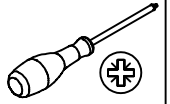
**Note: Align the tracks for connection.**

49



**Note: Align the tracks for connection.**

# 50



Note: Align the tracks for connection.

# 51

H x 12



Ø3.5 x 14mm

O x 2

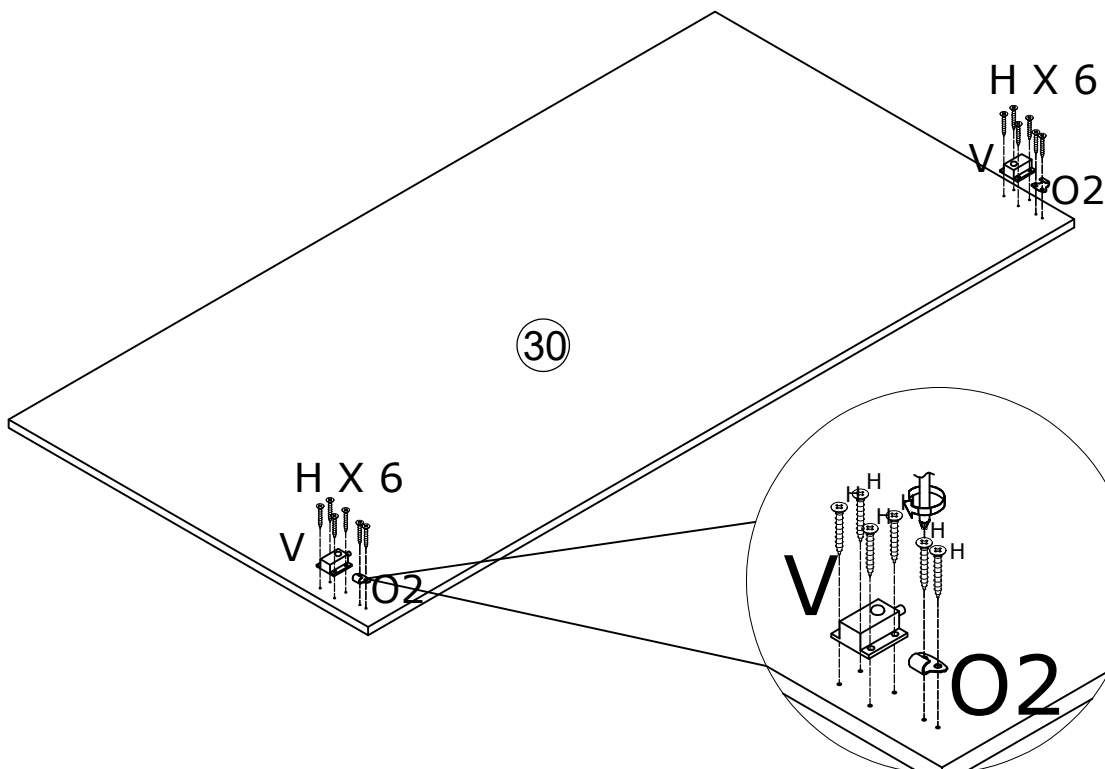
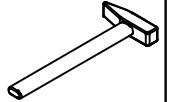
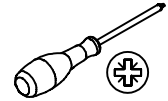


Ø3.5 x 14mm

V x 2



37 X 36 X 17mm



# 52

J x 7

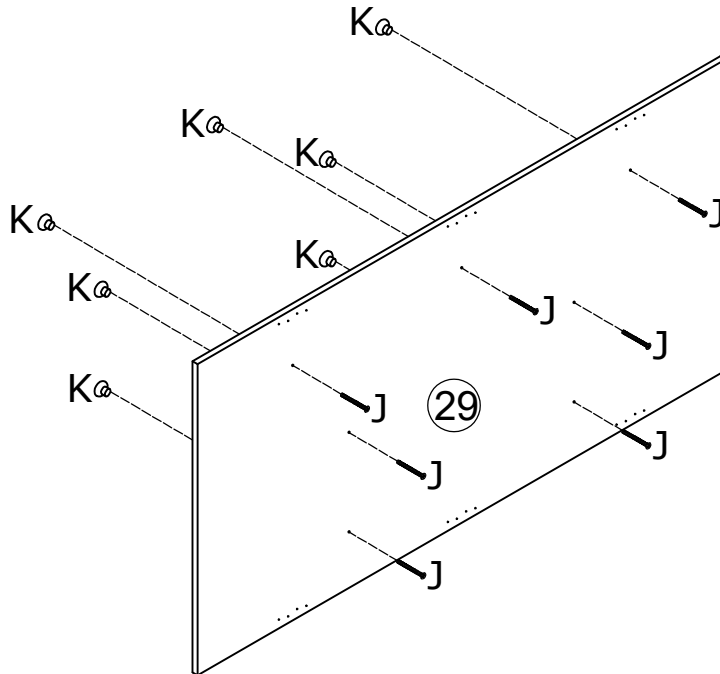
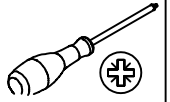


M4 x 25mm

K x 7



Ø30\*20mm



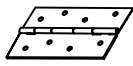
# 53

H x 48

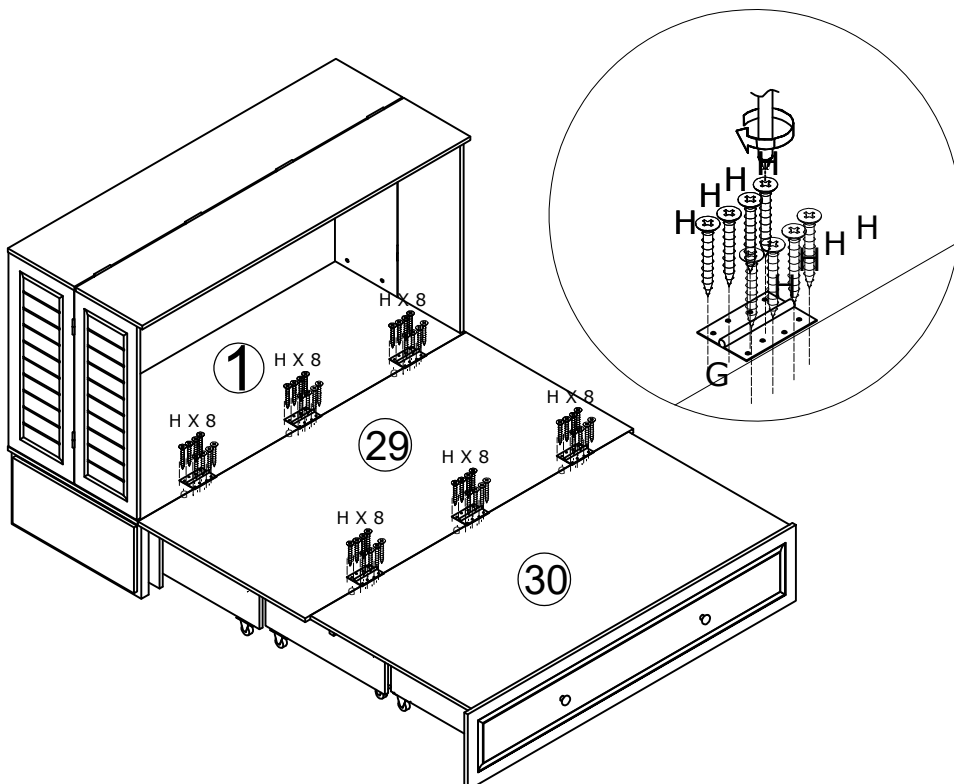
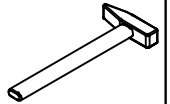
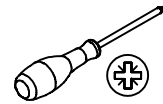


Ø3.5 x 14mm

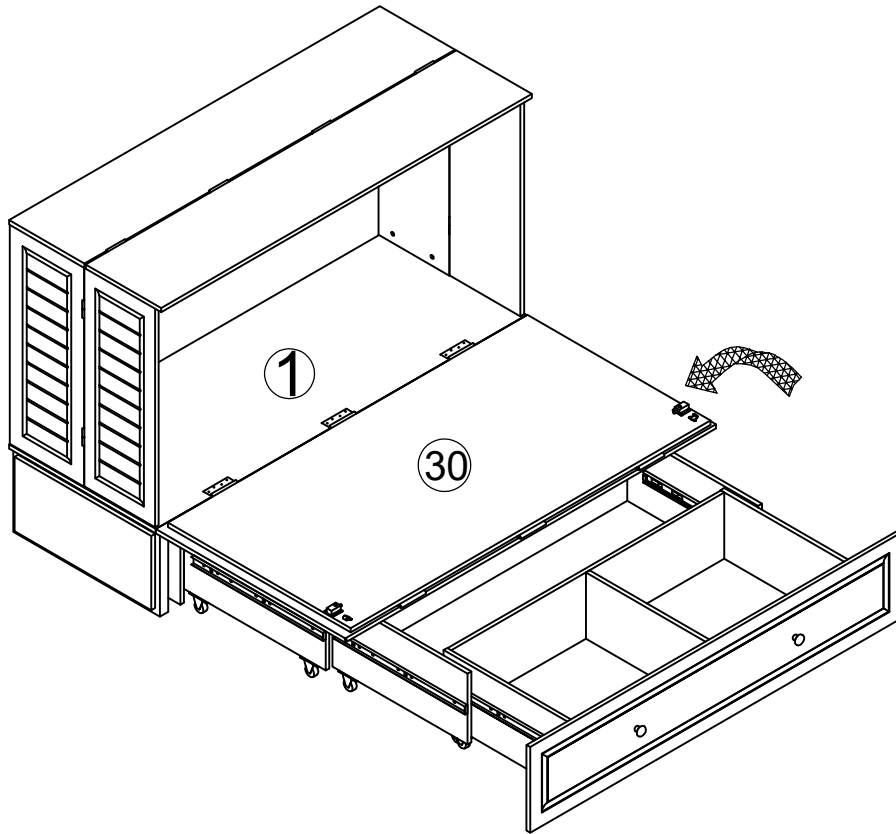
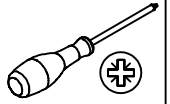
G x 6



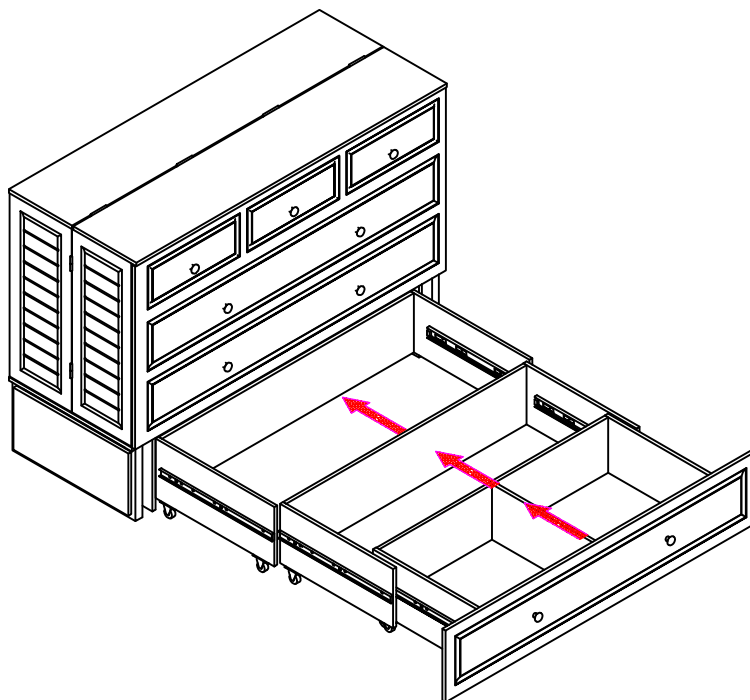
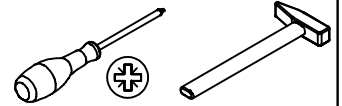
100 x 70mm



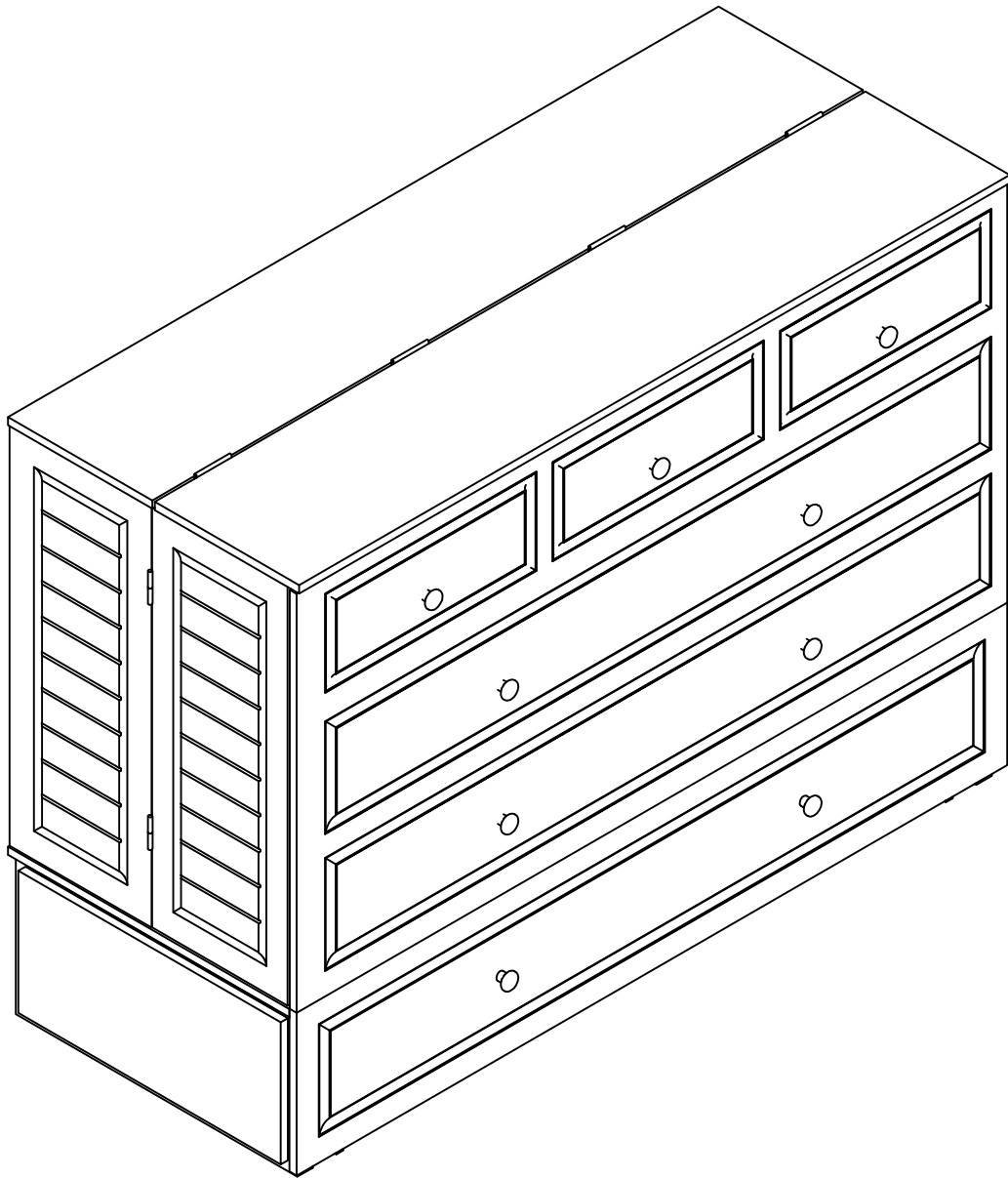
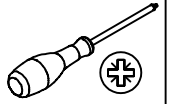
54



55

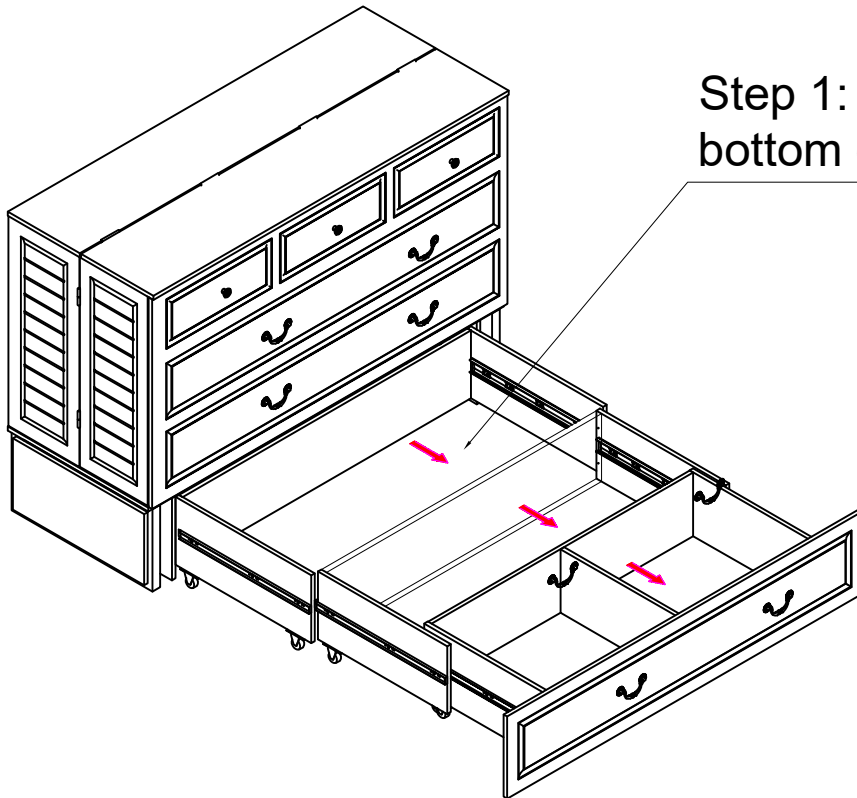
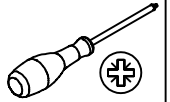


56



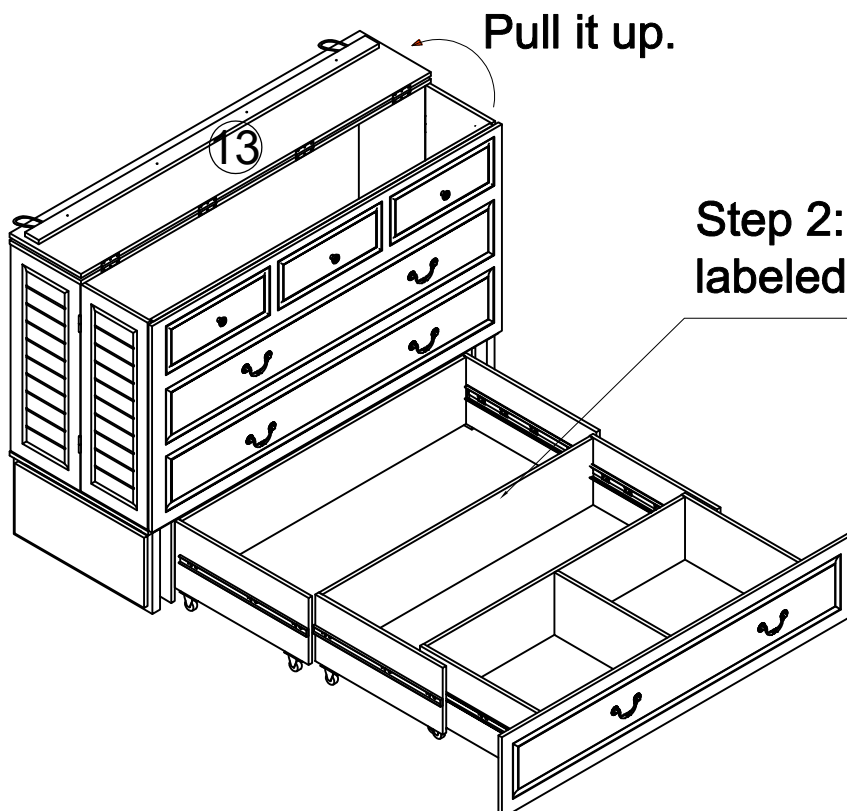
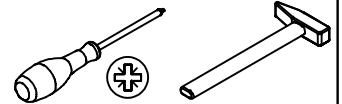
57

# Instructions for use



Step 1: First, pull out the bottom drawer.

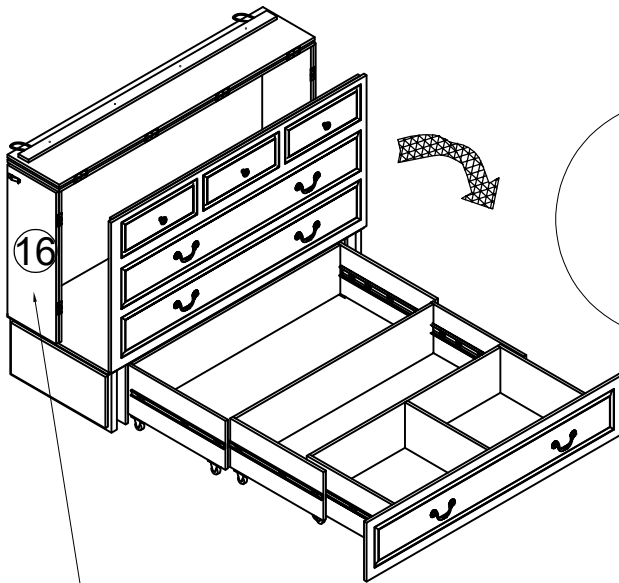
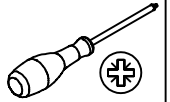
58



Pull it up.

Step 2: Open the top cover, labeled as (13).

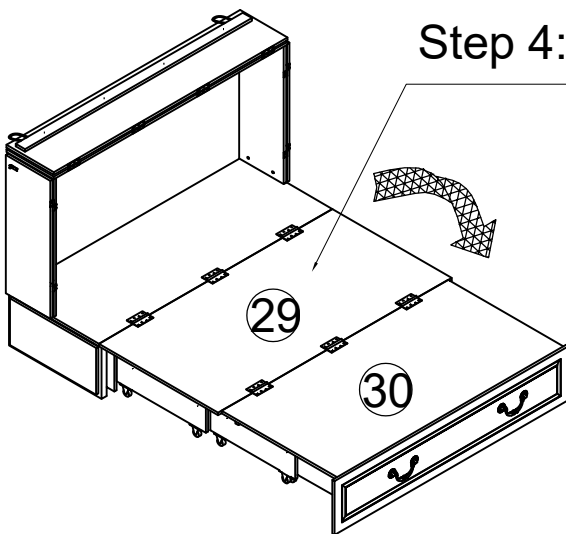
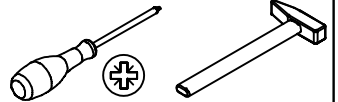
59



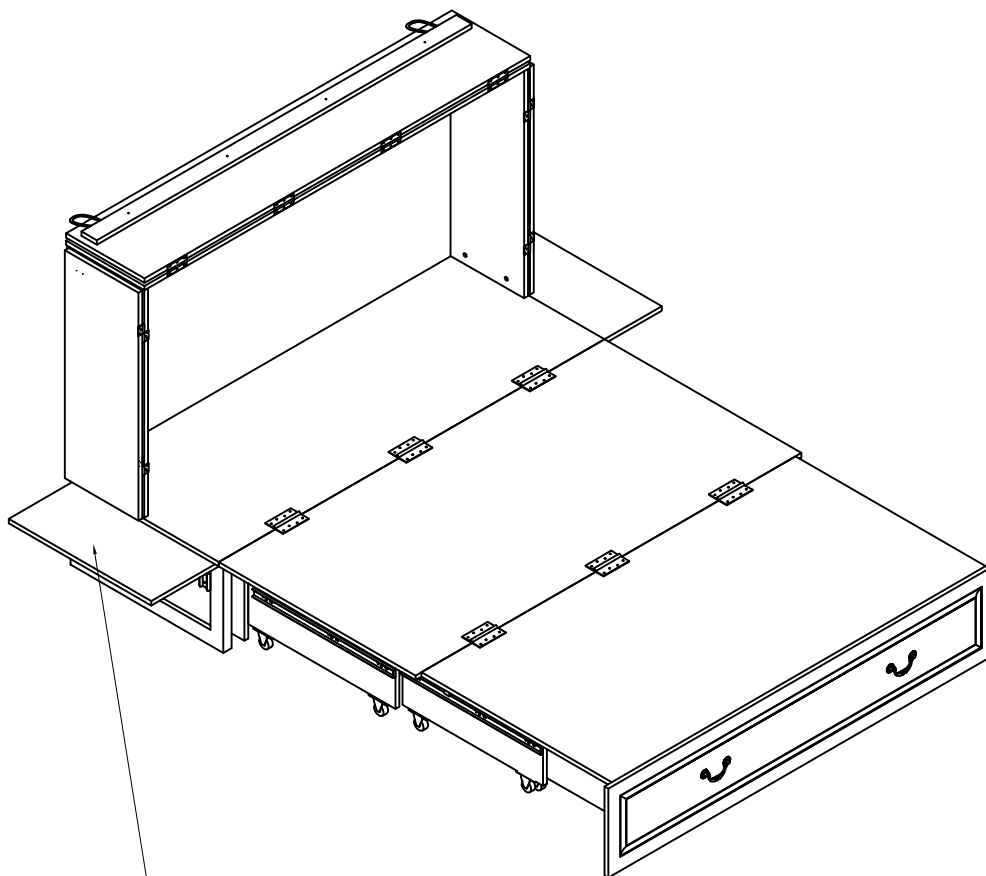
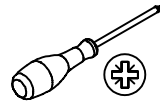
Lift the latch cover and open it.

Step 3: Open the side doors (labeled as 15 and 16) simultaneously, and gently place them on the bed board (labeled as 29 and 30).

60



Step 4: Flip up bed board (30) and lay it flat.



**Step 5: Pull up supports (11 and 12) to prop up.**

**Note: When folding up supports (11 and 12), follow step 11, press the switch, lift up, and lower down.**

# WARRANTY

## **WARRANTY CLAIMS**

·There is a 30-day warranty for broken furniture or any other problems that do not work properly.the warranty will start from the date of purchase which must be verified by proof of purchase.

·The product must be used in accordance with the instructions provided.for health reasons.

·For other reasons,if the furniture needs to be returned,it must be cleaned and dried and operated wltin 30 days of recelpt.

## ***Type of Warranty Claim***

·Fallure to follow the furniture instructions will invalidate the warranty.attention please.

·Does not include damage during installation,but includes damage during transportation.

## ***Scope of responsblilty***

·Shall not bear any responsblilty for mlsuse or user damage and /or loss of parts during the installatlon of furnlture.

·After using,the damage and scratches of the furniture are not covered by the warranty.

## ***The Warranty Relates to All bought in The us and Covers The Following areas***

·Sheet parts:1 month from the date of purchase.

·Electrical parts:1 month from the date of purchase.