



MODEL/ SKU#:
PEFS12X30GR
PRODUCT MANUAL
v.2024.05.06

Heavy Duty PE Enclosure Kit For ALEKO 12X30ft Carport



⚠ WARNING



- Please read and understand the product manual completely before assembly
- Check against the parts list to make sure all parts are received
- Wear proper safety goggles or other protective gears while in assembly

MAIN SPECIFICATIONS :

- Overall assembled size : W3.66 x L9.12 x H2.84 (m) / 12 x 30 x 9.3 (ft)
- Width : 3.66 m / 12ft
- Door width : W2.7xH2 (m) / 8.86x6.56 (ft)

PRIOR TO ASSEMBLY

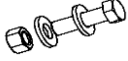



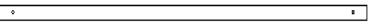

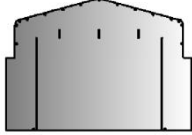
Please read the instructions carefully before installation. It is important to follow your local safety regulations and industry standards during installation. Regulations may include but are not limited to:

- Safety helmets, protective eyewear, and clothing.
- Safety harnesses for all elevated workers.
- Proper ladder, cage, and safety operation.

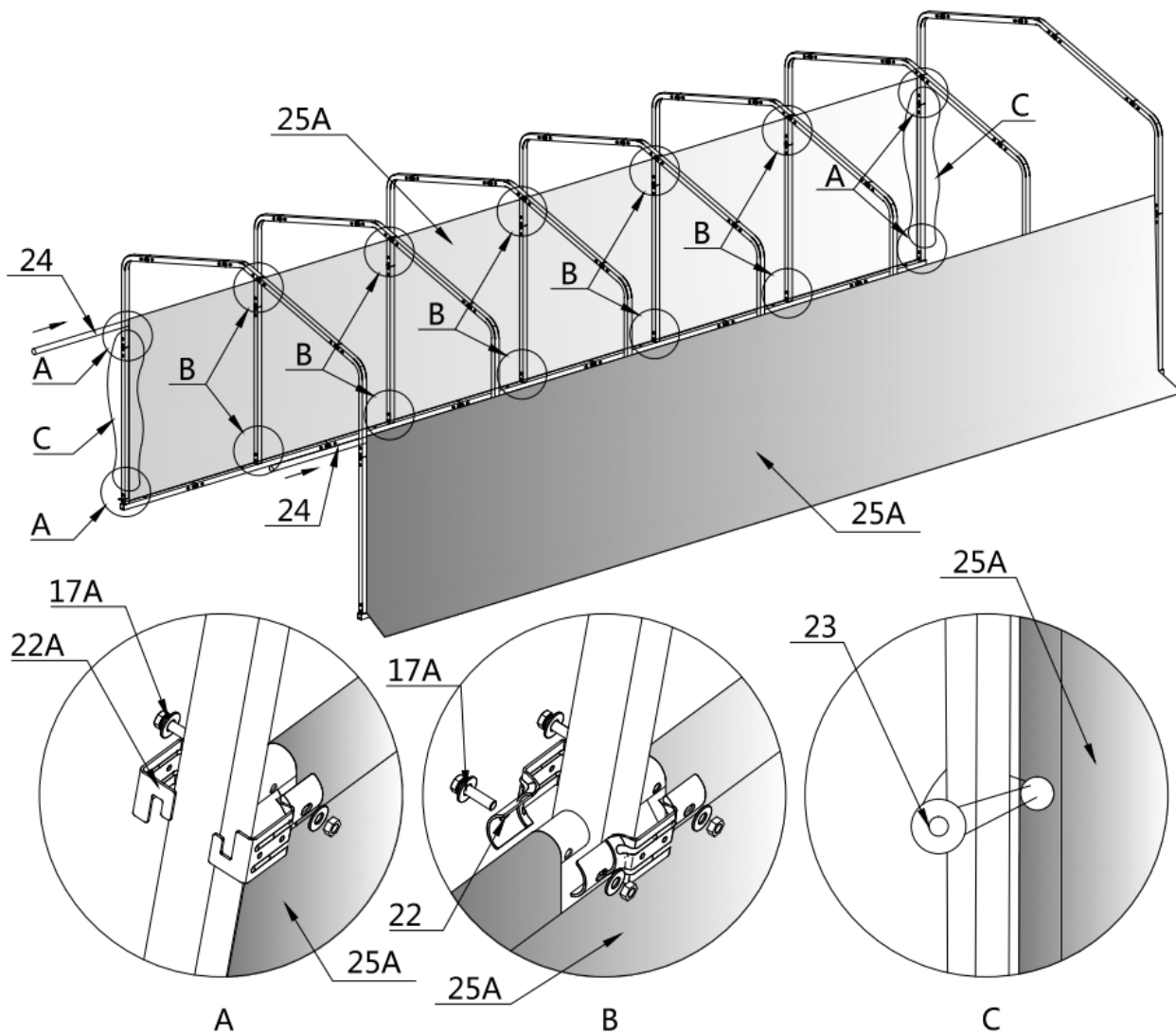
Check all components and parts before installation. All parts are marked with a part number, please refer to the parts list to make sure you have all parts.

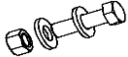
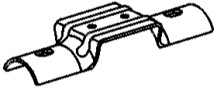
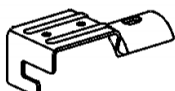
Choose a day with low or no wind to install, assembly is hard in heavy wind. Do not make any alterations to the structure. Do not hang any weights on the frame during installation, including parts. We are not responsible for any damages or injuries caused by inappropriate installation, unauthorized modifications or extreme weather.


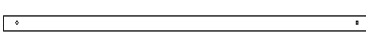

CP1230 CARPORT COVER PART LIST

PARTS CODE	GRAPHICAL	DESCRIPTION	LENGTH	QTY
17A		Hex bolt M8x50mm	M8x50mm	48
22		Middle truss connectors	L150mm	40
22A		Front and rear connectors	L102mm	16
23		Long bungee ball	L150mm	84
24		Middle rafter tube	L1460mm	24
25A		Side coverings	W1880xL9070mm	2
26		Front and rear cover panel	W2840xL4000mm	2

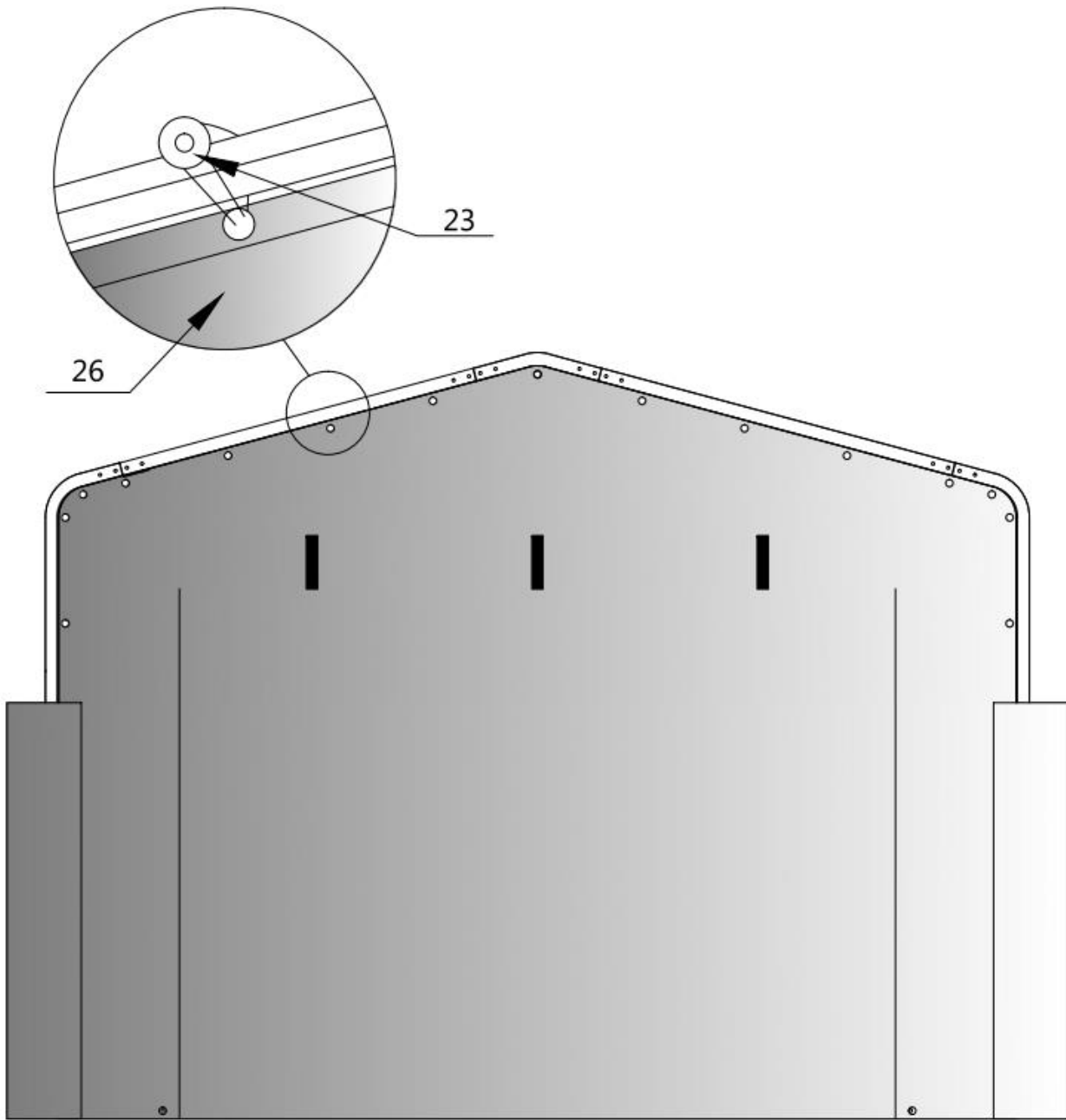
STEP 1 : INSTALL THE LEFT AND RIGHT COVER PLATES.




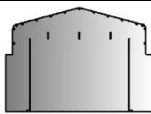
NO.	PART	QTY
17A		48
22		40
22A		16

NO.	PART	QTY
23		24
24		24
25A		2

STEP 2 : INSTALL THE FRONT AND REAR COVER PLATES.



- Fold the side strips of the front and rear covers to the side and glue them with Velcro.

NO.	PART	QTY
23		60
26		2

AFTER THE INSTALLATION

Walk around and inspect the shelter periodically to make sure all components are still firmly secured and the whole shelter is well supported. Check all bolts and nuts as well as all connection points to make sure they are all in good position.

Keep 3 feet of clearance on all sides at all times. Do not allow snow to accumulate and pile up on the sides of the building. Otherwise the pressure from the sides will push inwards and could lead to a collapse.

ALEKO Products

8307 S 192ND ST. KENT, WA 98032

hello@aleko.com

PHONE: 833-926-2323

ALEKO.COM

YOUTUBE.COM/ALEKOPRODUCTS