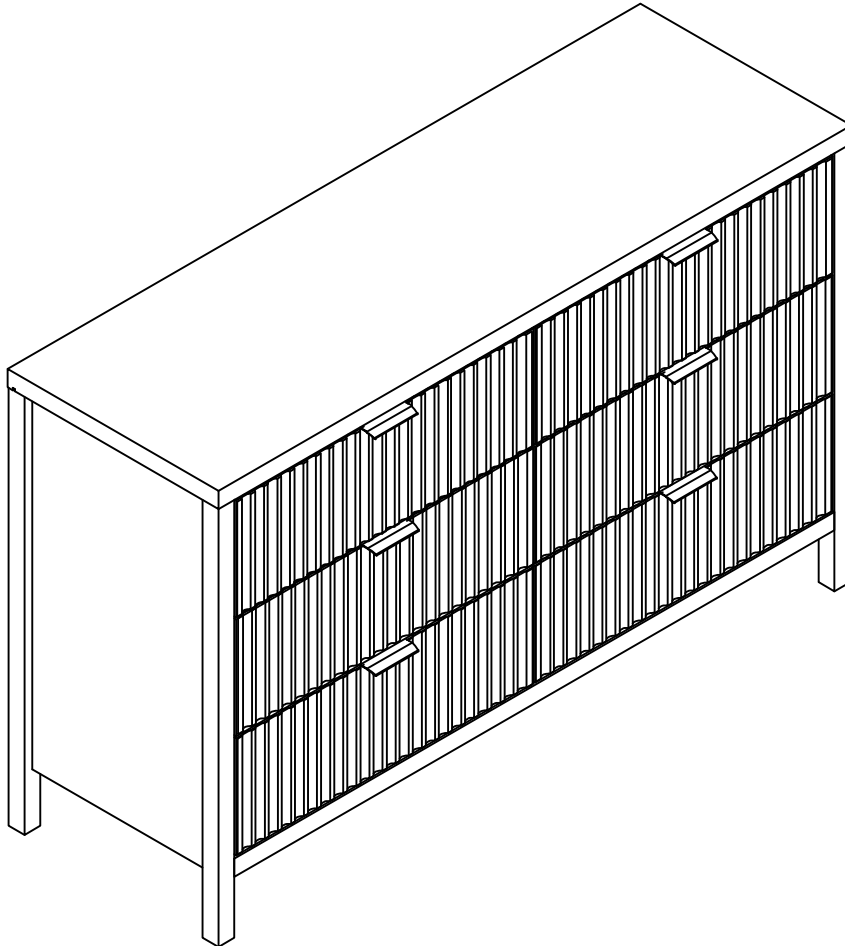


# Installation Instruction



Dear customer,

Thank you for purchasing this 6 Drawer Dresser.

If you encounter problems with missing or damaged parts after you received it, or if you have questions about any of the installation steps in the instructions.

We can provide you with considerate after-sales service, just hope you contact us first and give us a chance.

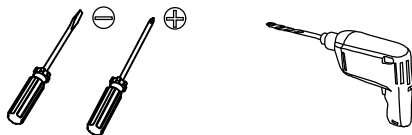
Best regards

# Assembling

## What you need

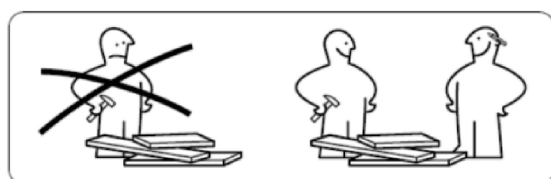
- Use the packaging carton as a working surface to prevent product damage during assembly

Tool Required Not Provided



Use electric tools with care.

## Weight Limitation

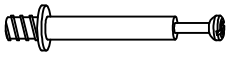


# What' included

Code	Description	Qty
A	Cam Bolt M6X35MM	34
B	Cam Lock 15X10MM	34
C	Wooden Dowel M8X30MM	12
D	Screw M4X40MM	28
E	Screw M3.5X14MM	2
F	Metal shake handhandle	6
G	Nylon Strap	2
H	Screw M3.0X14MM	94
I	Adjustable Leveler	1
J	The back button	10
K	Anchor	2
L	Slub screw M6*30MM	1
M	Hole Stickers	24
CL	Left mother extended orbit	6
CR	Right mother extended orbit	6
DL	Left public extension track	6
DR	Right public extends track	6

# The Hardwares

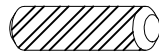
A



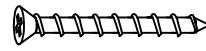
B



C



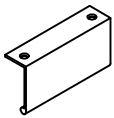
D



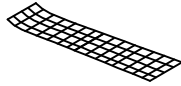
E



F



G



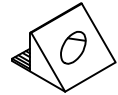
H



I



J



K



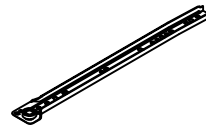
L



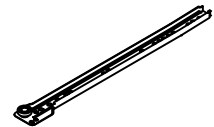
M



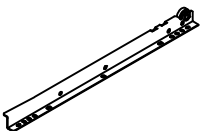
CL



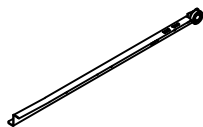
CR



DL



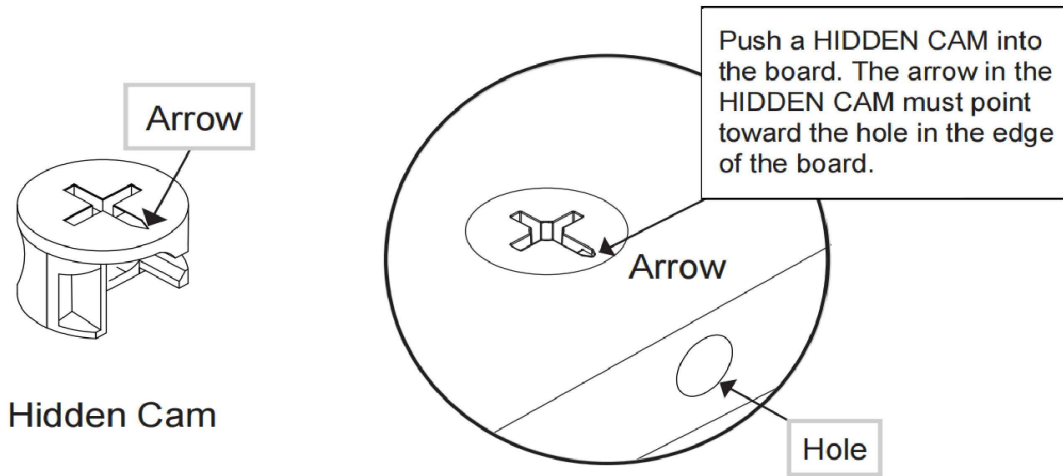
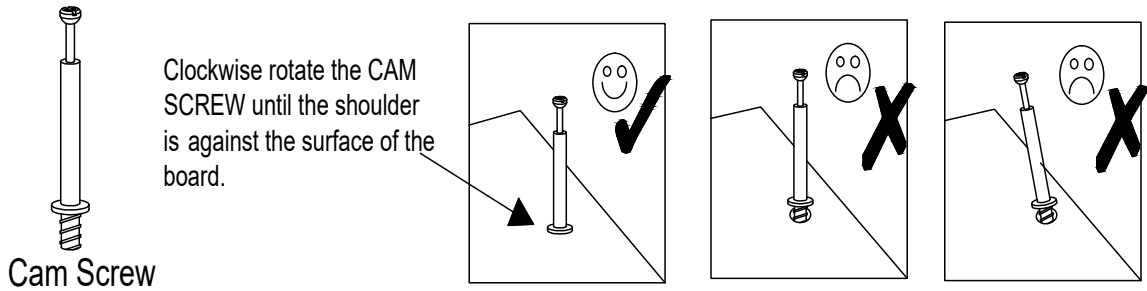
DR



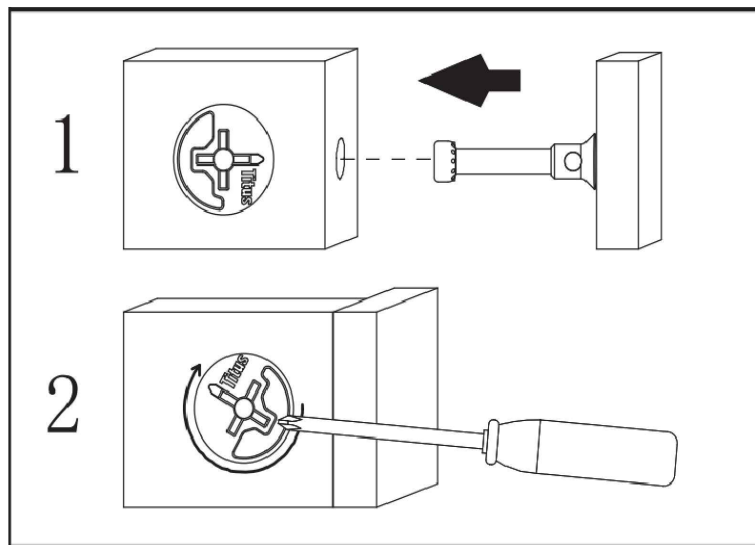
## IMPORTANT:

1. Do not tighten bolts / screws completely until all bolts / screws are lined up and inserted into holes.
2. Do not over tighten screws and bolts to avoid stripping
3. You can use a screwdriver or an electric tool (be careful when using an electric tool).

# To ensure proper assembly we have included the following guides



Insert the CAM SCREW into the HIDDEN CAM.  
Clockwise rotate to tighten the HIDDEN CAM.

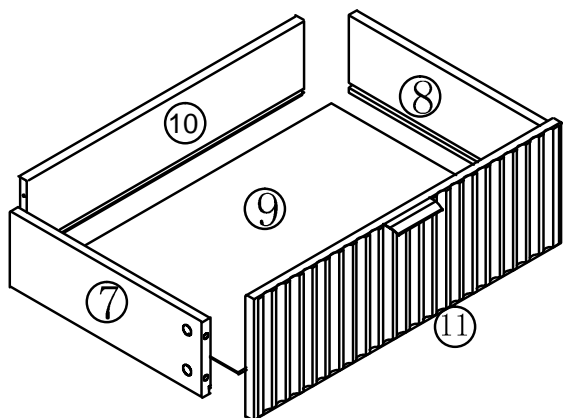
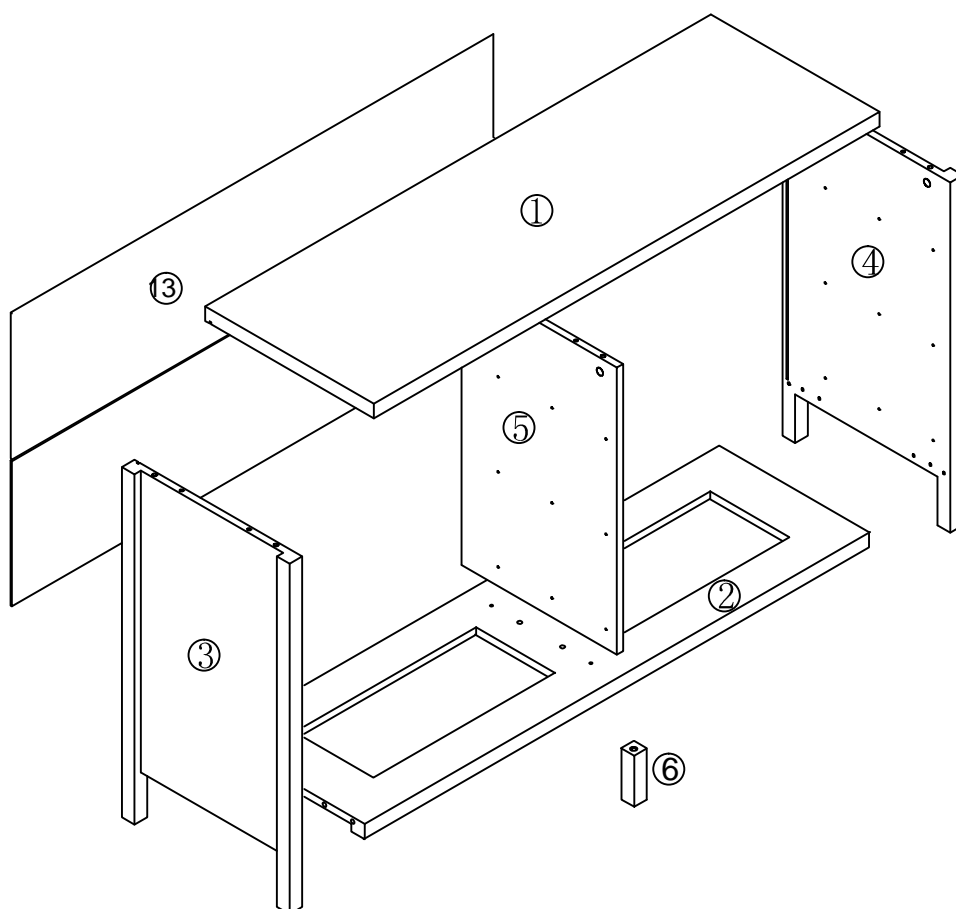


# Included Accessories

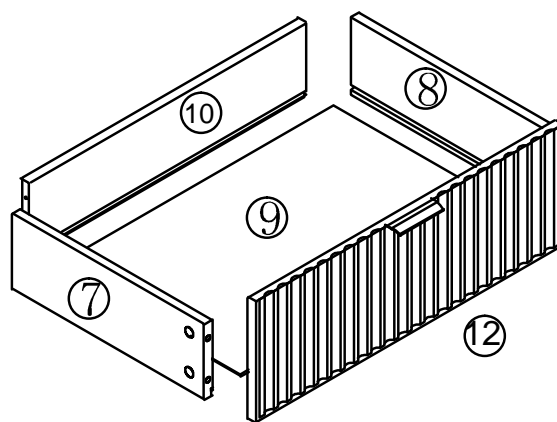
---

Code	Description	Qty
1	Cabinet Top	1
2	Bottom Panel	1
3	Left Side Panel	1
4	Right Side Panel	1
5	Neutral plate	1
6	Adjustable support feet	1
7	Drawer left panel	6
8	Drawer right side panel	6
9	The drawer bottom	6
10	After the drawer board	6
11	Left pull face	3
12	Right pull face	3
13	Backboard	1

# The Accessoriess

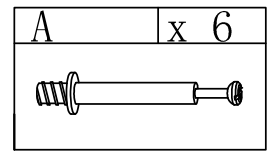
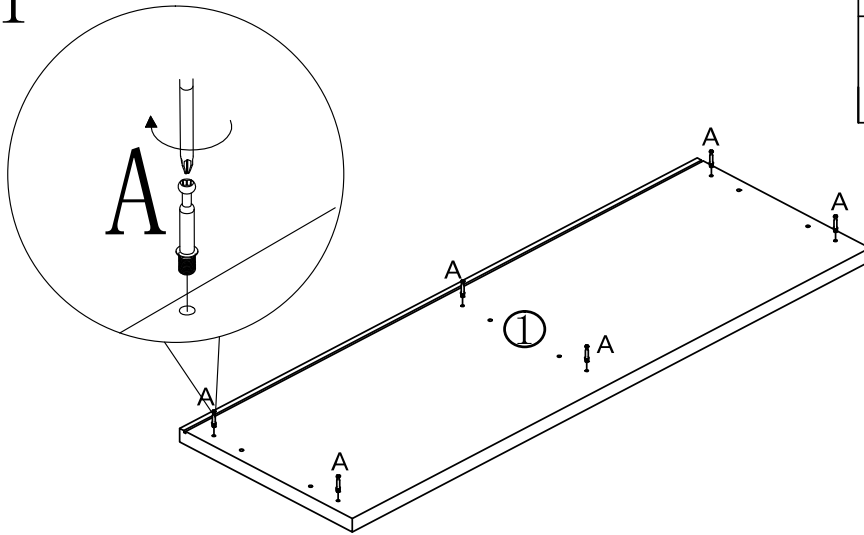


X 3



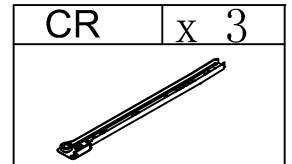
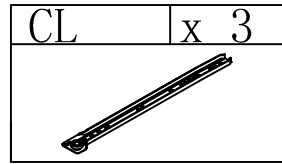
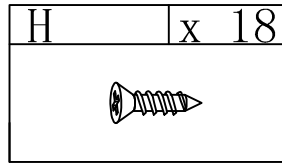
X 3

# Step 1



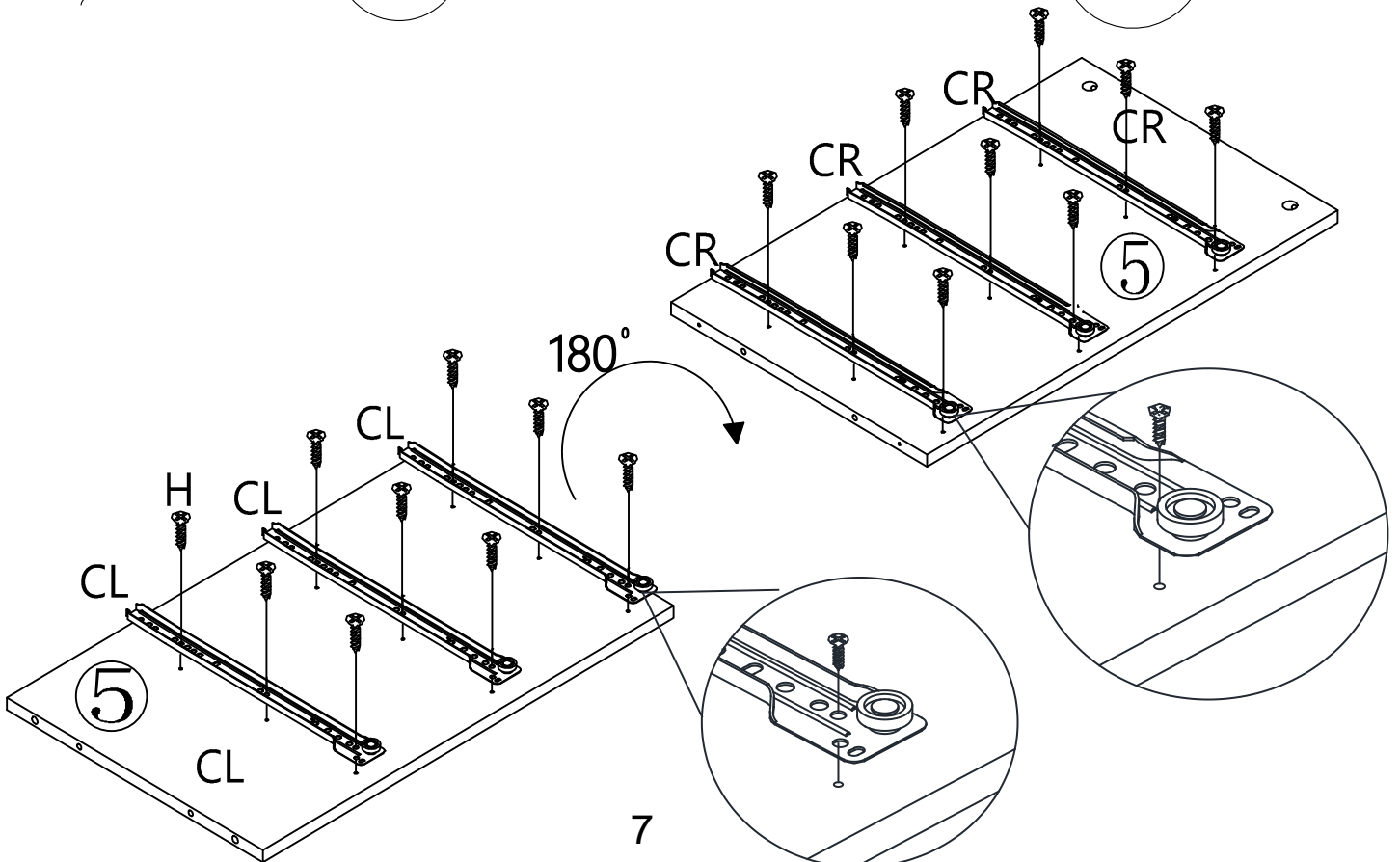
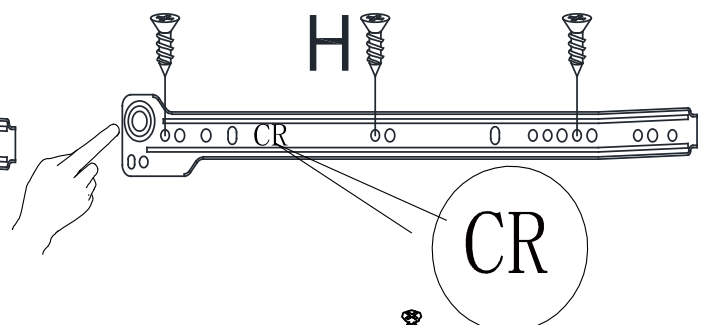
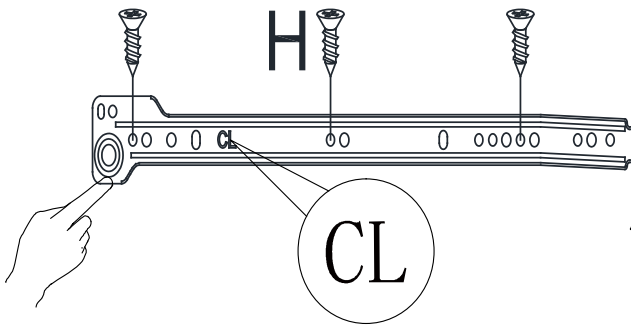
No trampling

# Step 2

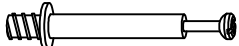





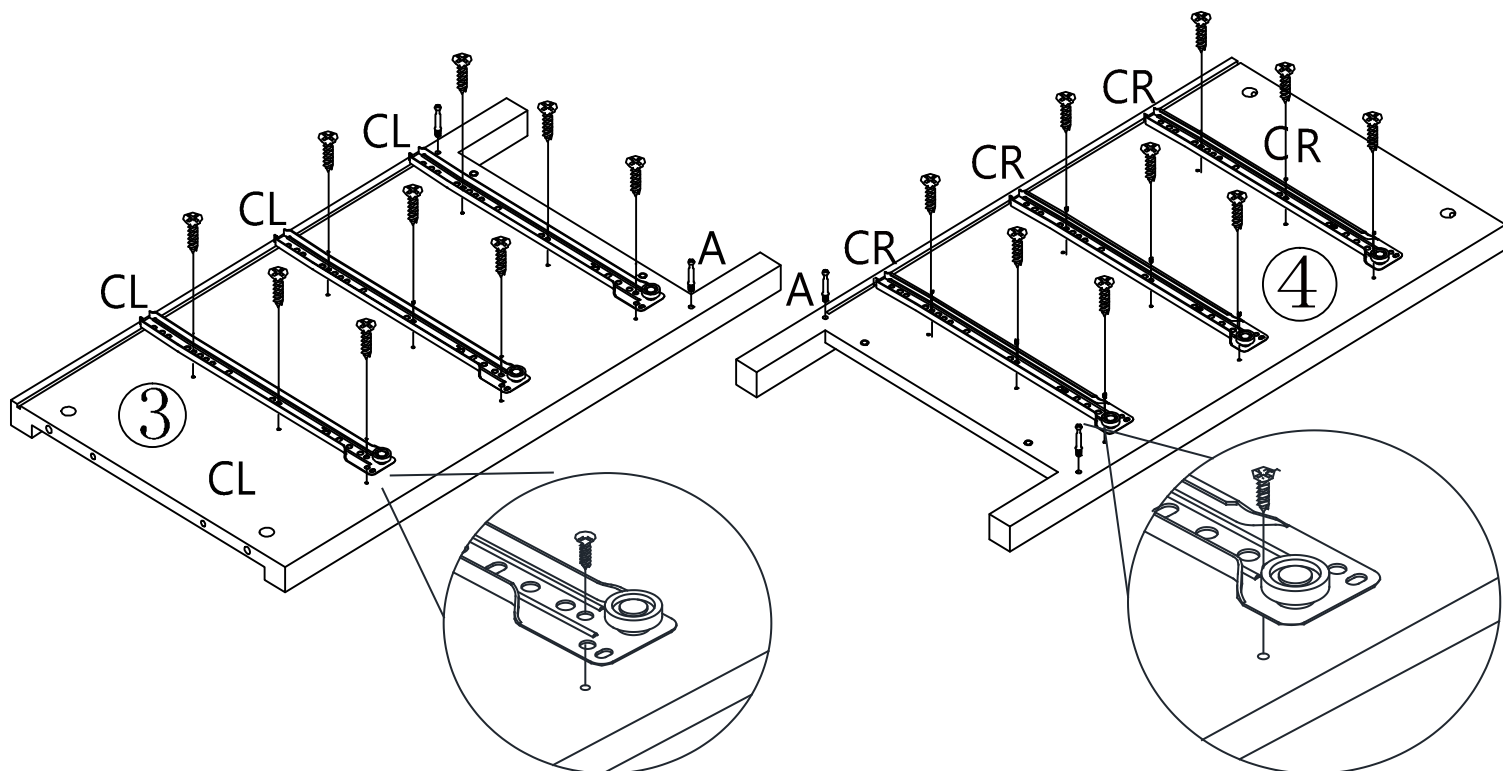
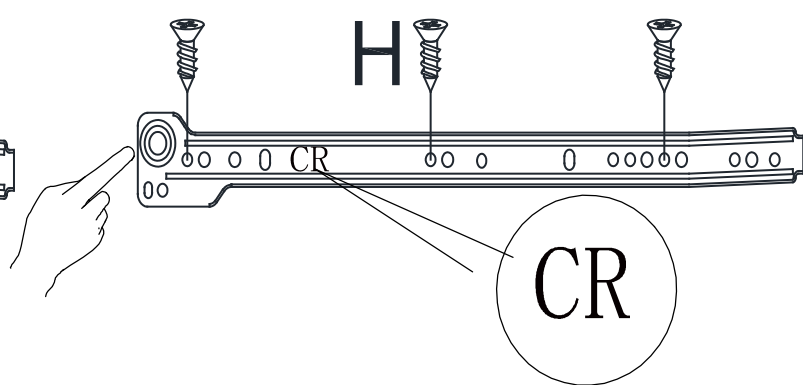
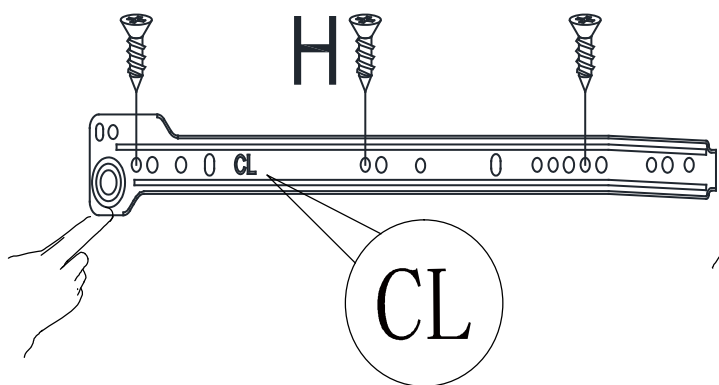
**Please Note:**

1. CL and CR are put together as a set, please check carefully.
2. CL and CR are mounted 180° rotated over, please see the illustration below carefully.  
(The #5 plate is just one piece, divided into front and back mounted slides.)





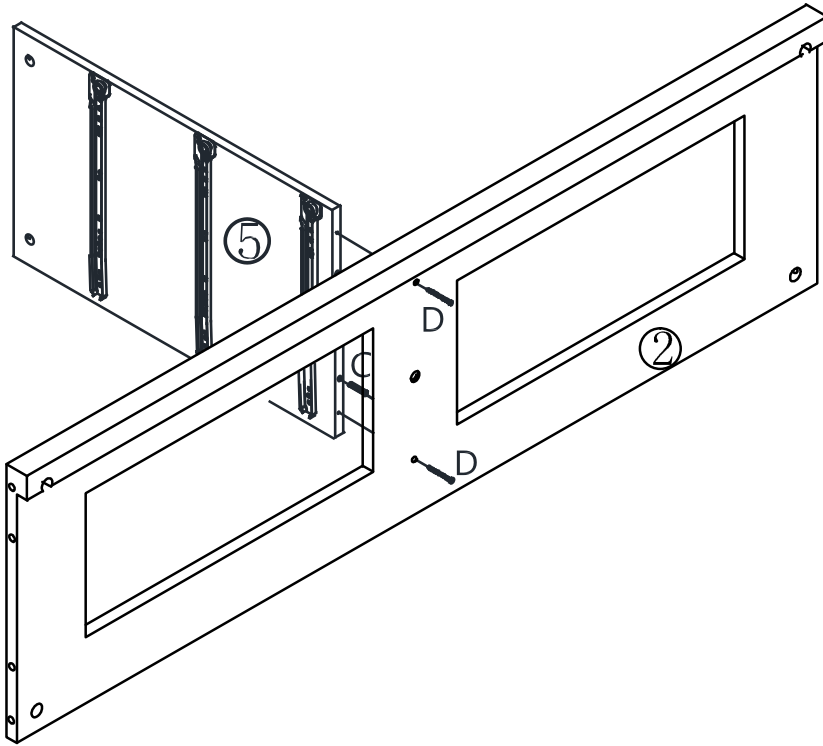
# Step 3

A	x 4	H	x 18	CL	x 3	CR	x 3
							

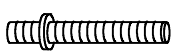



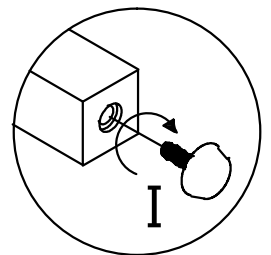
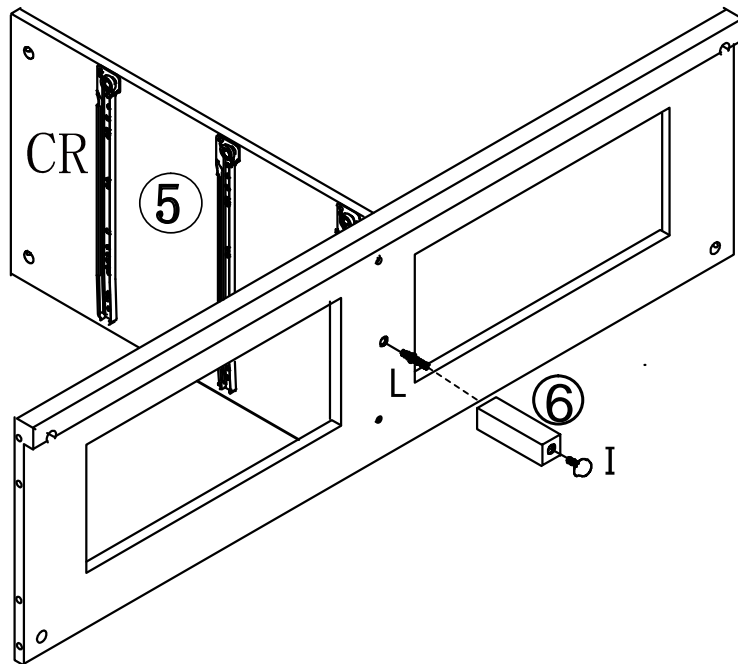
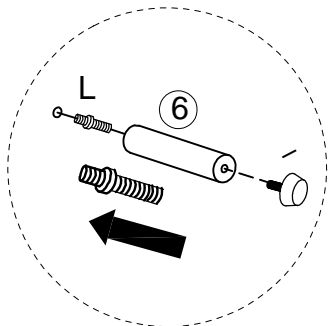
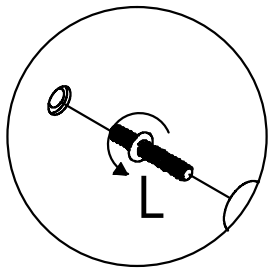
# Step 4

C	x 2	D	x 2
			

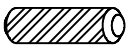



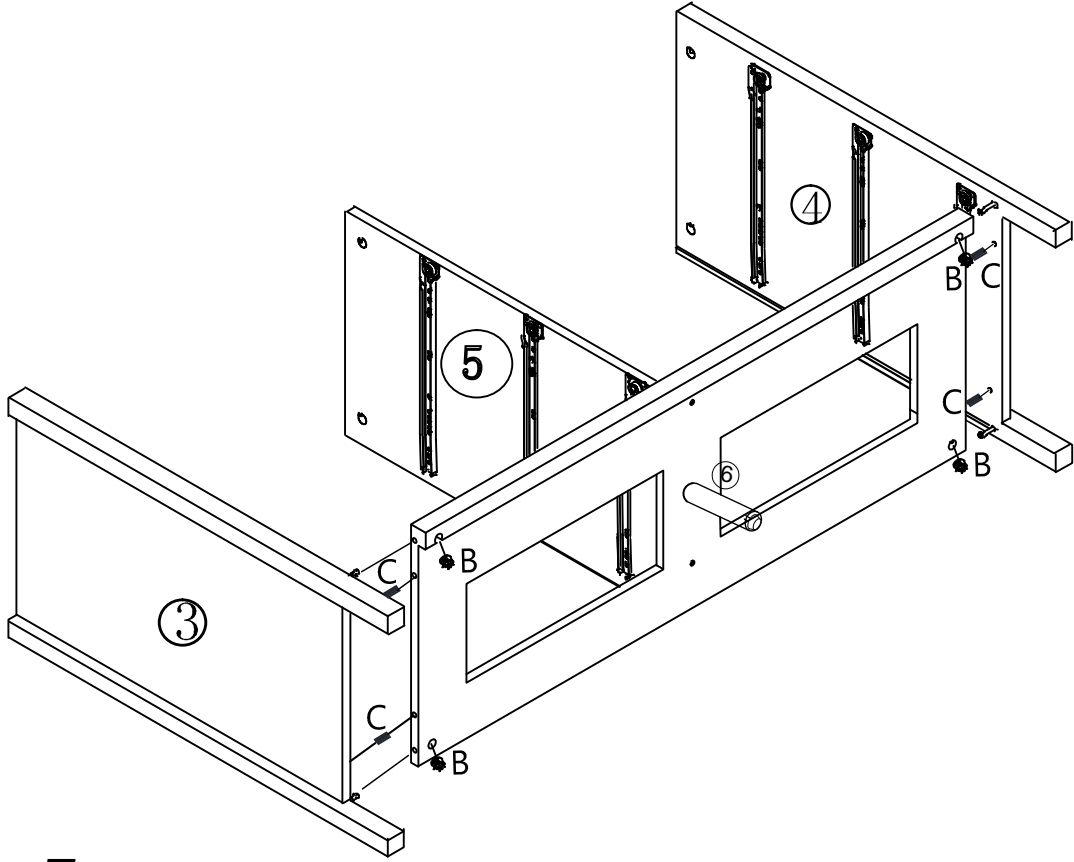
# Step 5

L	x 1	I	x 1
			

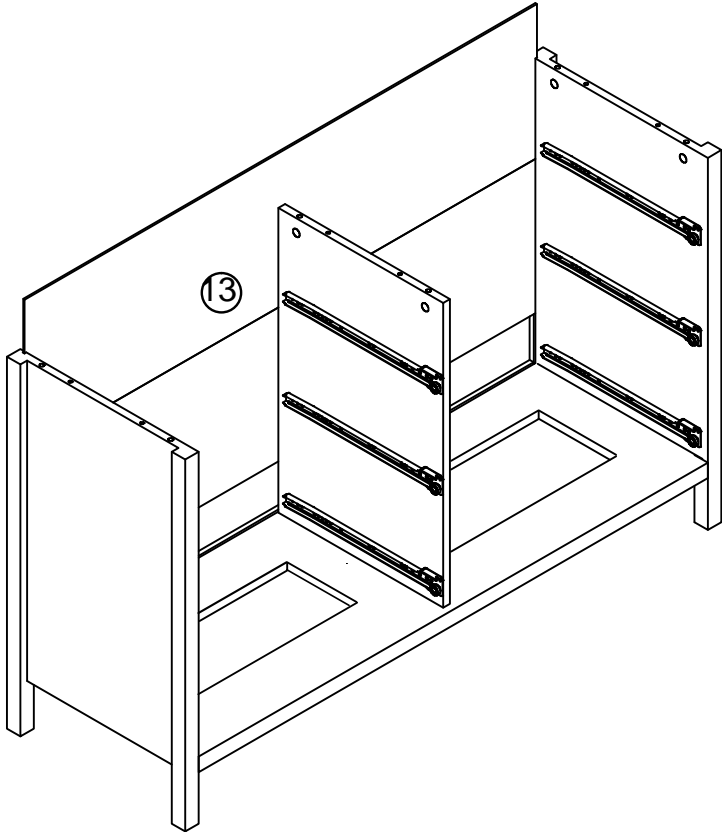


# Step 6

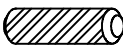

C	x 4	B	x 4
			

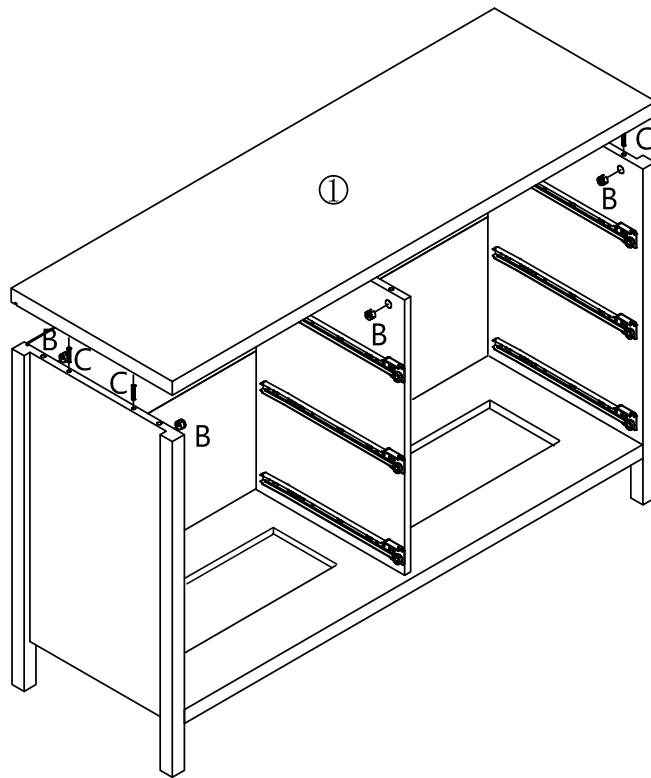


# Step 7

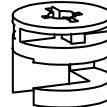
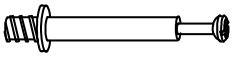


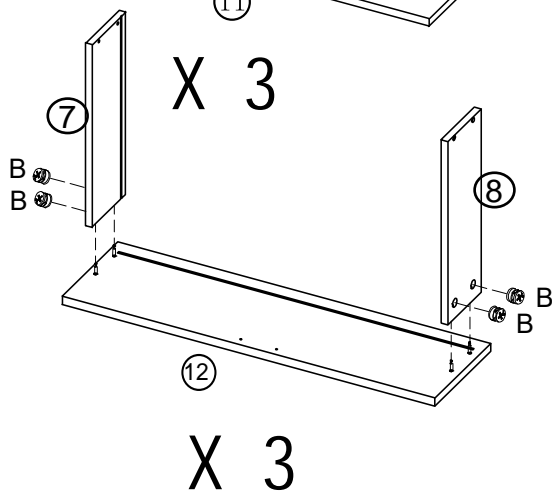
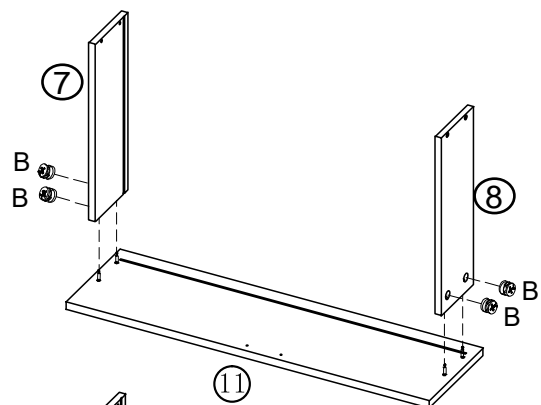
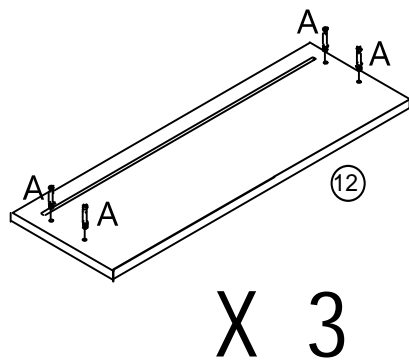
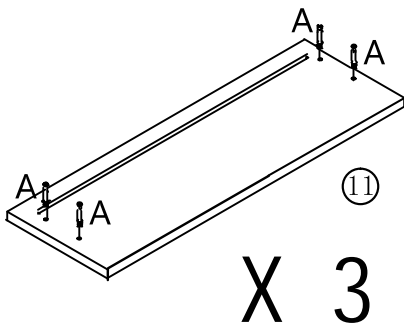
# Step 8

C	x 6	B	x 6
			

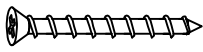

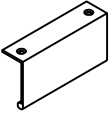


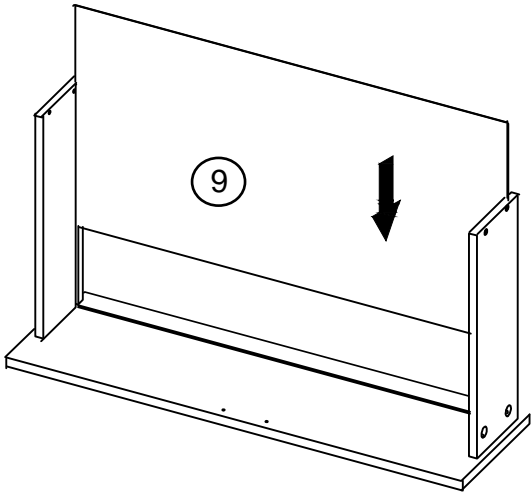
# Step 9

B	x 24	A	x 24
			

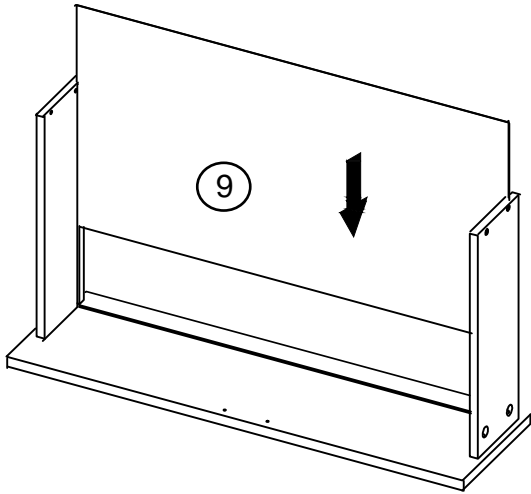


# Step 10

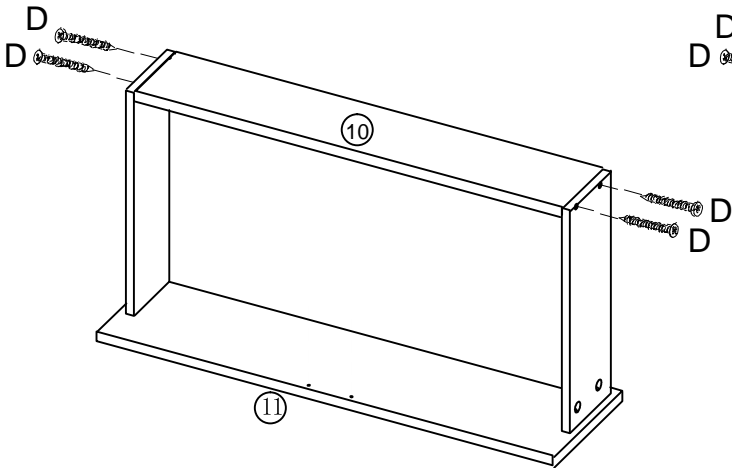
D	x 24	H	x 12	F	x 6
					



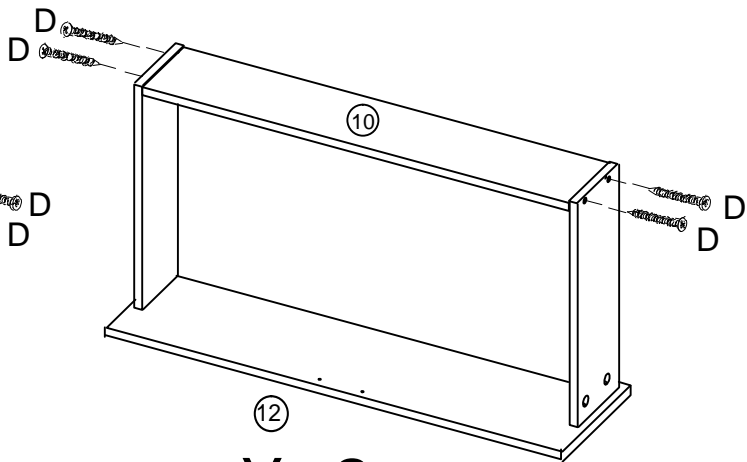
X 3



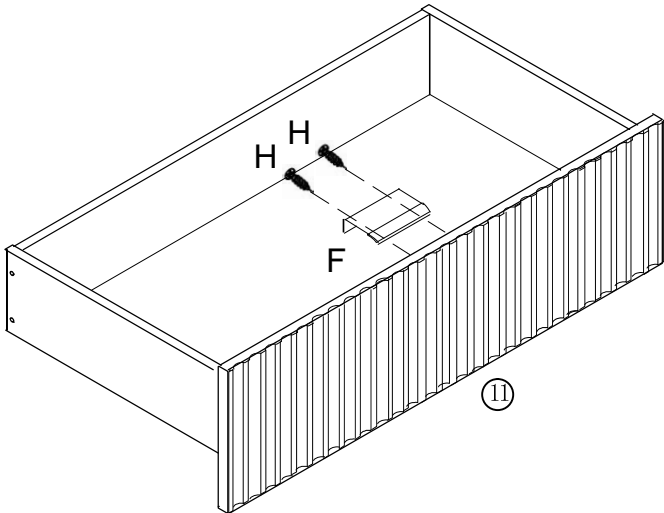
X 3



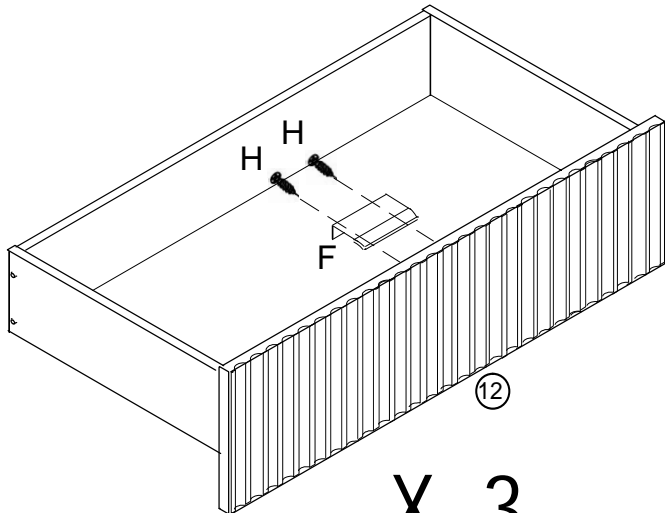
X 3



X 3



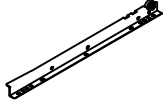



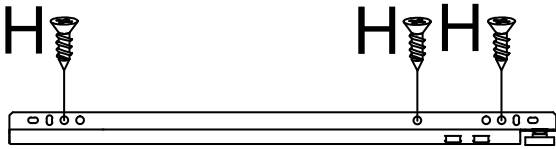
X 3



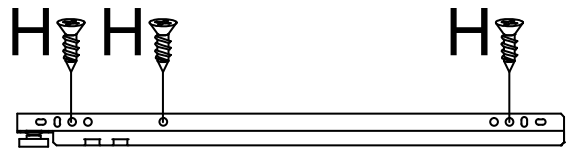
X 3

# Step 11

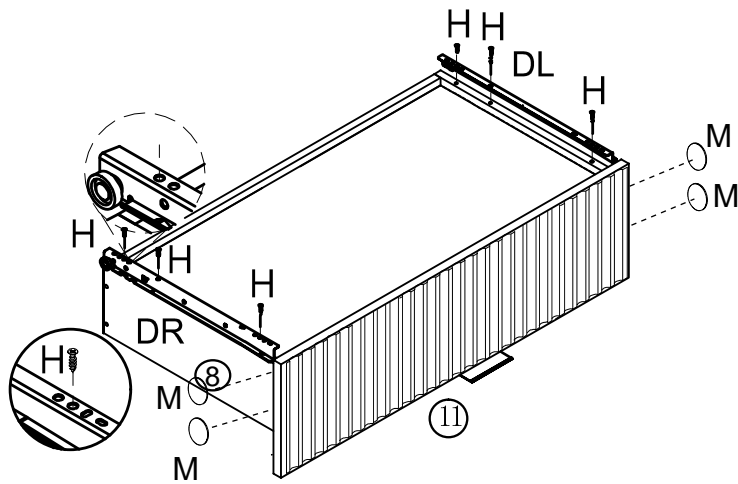
H	x 36	DL	x 6	DR	x 6
					
M	x 24				
					



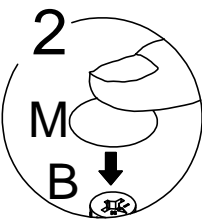
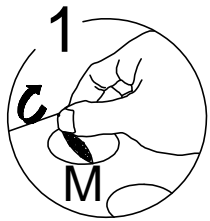
**DL**



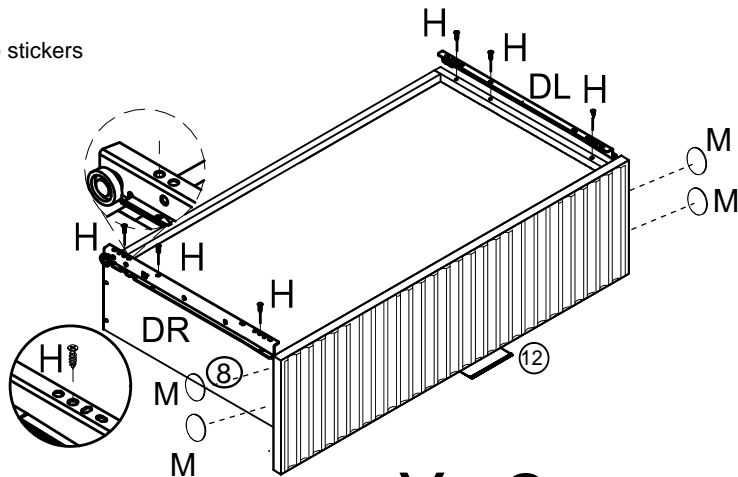
**DR**



**X 3**

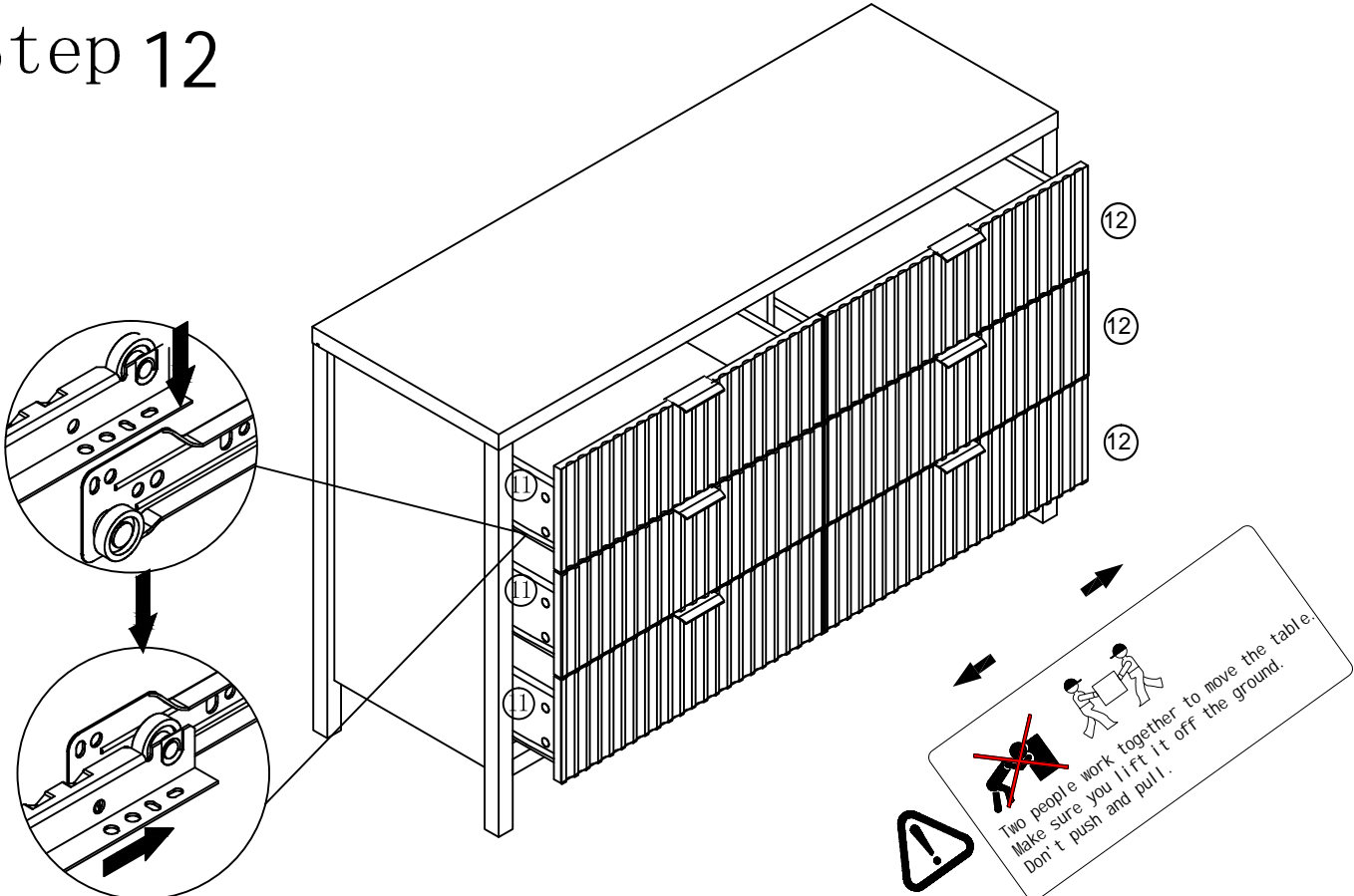


For beauty and safety.  
Please attach four M-hole stickers  
at the end of this step.



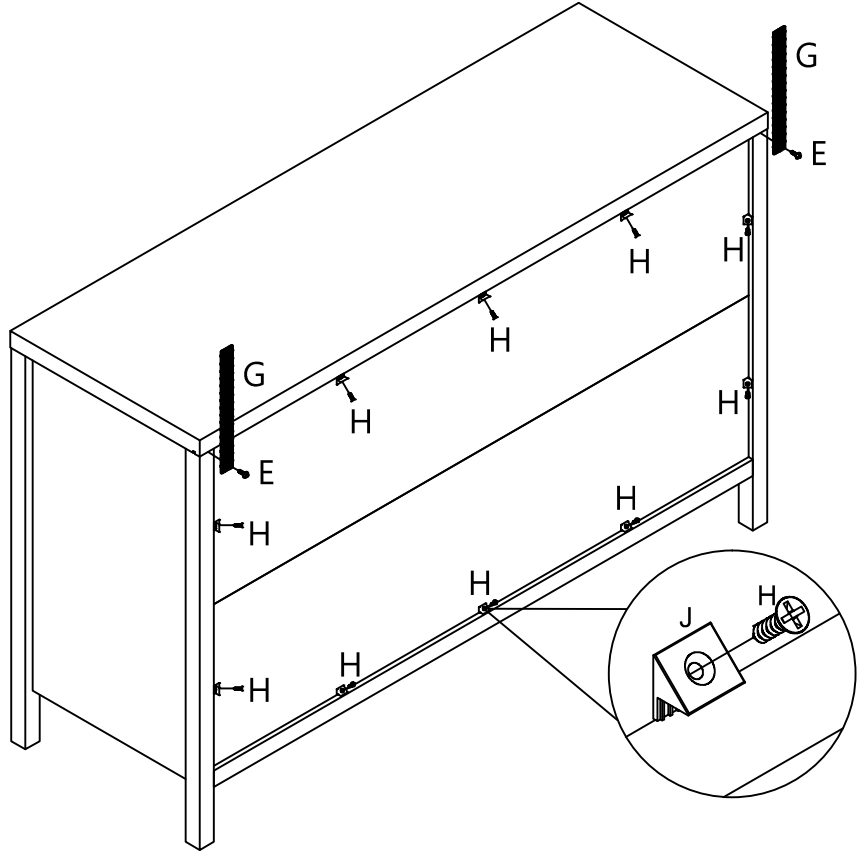
**X 3**

# Step 12



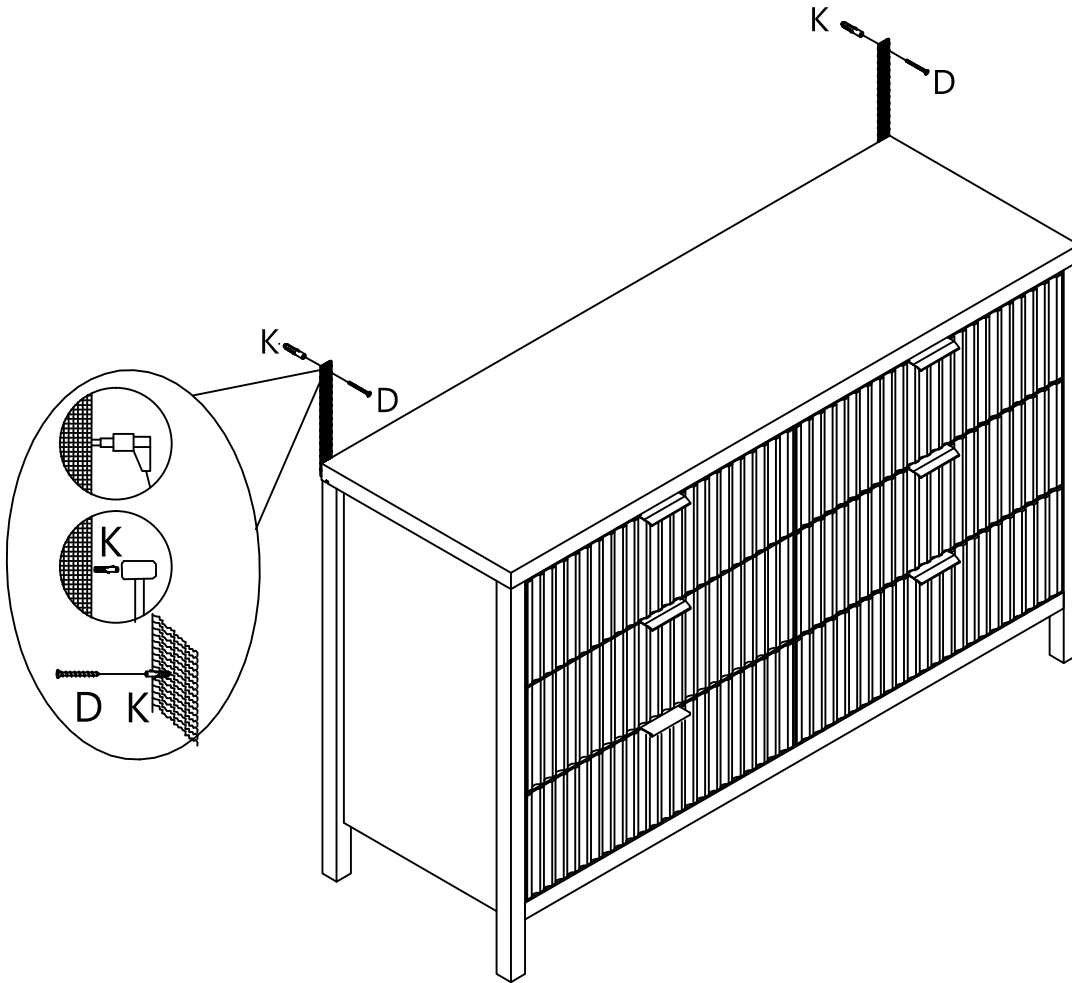
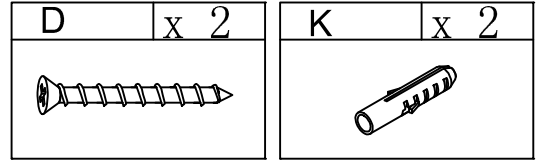
# Step 13

G	x 2	H	x 10	J	x 10	E	x 2

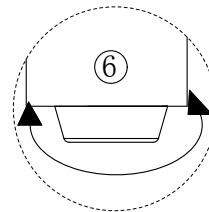


# Step 14

If you have children please tie it against a wall.



If the center position of the cabinet is too high or too low due to uneven bottom plates or other reasons, adjust the adjustable foot pads on feet ⑥ to adjust the upper and lower height



## FAQ

### 1. Color Differences

1.1 Because this dresser is MDF body and solid wood legs, so occasionally there may be inconsistency in the color of the body and legs.

1.2 The color inconsistency with the website picture, appear too dark or too light, this may be due to the factory batch is not the same as the material color difference caused by the factory batch, but also may be due to the lighting and retouching effect of the picture shooting.

---

# Please contact our after-sales email, we will give you a most satisfactory solution.

### 2. Size Issue

2.1 Measurement is not correct, this may be because the drawer slides are not installed.

# Please follow the Step 2-3 again to follow the drawer slides.

2.2 Too small, like child size. We show pictures of the sizes on our website and are very sorry it's not what you want.

# If there is no quality problem we still suggest you keep it and are willing to give you a partial discount; if you just want to return it for a refund, you need to make sure that the cabinet and box are intact before we can provide you with a prepaid return label.

### 3. Wood-like Materials

3.1 We have this dresser with MDF body and solid wood legs with metal drawer slides and rose gold metal handles. It is not solid wood and I am very sorry that it did not meet your expectations.

---

# If there is no quality problem, we suggest you keep it and are willing to give you some discount offers.

# If you just want to return it for a refund, please make sure the cabinet and packing box are intact and we can provide you with a prepaid return label.

# All decisions please let us know through our after-sale email.

4. Receive damaged or missing parts or parts that don't fit
    - 4.1 If the package is intact and the cabinet is damaged or missing parts, please contact our after-sale email to send you free replacement parts.
    - 4.2 If the package is damaged, you don't need to return it to us, please take photos of the whole package situation and send them to us, we will contact FedEx for feedback on the package delivery.
- 

# Regardless of whether the package is damaged or not, we will not ask you to return it, no need for you to bear the return shipping cost, you can keep it.

## 5. No Packages Received

- 5.1 If you have purchased only one quantity and have not received it, please check the progress of the package on the FedEx official website, and then inquire at your doorstep or delivery station, as well as in the surrounding neighborhood.
  - 5.2 If you purchased two or more quantities, please check the seller's message on Amazon or ask our after-sale email, it may be because the packages were shipped in separate packages but not delivered at the same time.
- 

# Please don't worry, if you really didn't receive it, we are more than happy to send you a new one or just refund you.

## 6. After-sale Guarantee

Our store offers a one year warranty from the date of purchase, if you encounter damage during this period of use, you can contact us for a free replacement part or exchange.

## 7. Installation issues

7.1 Screws or wood shavings falling out: This may be because you are using power tools too vigorously.

# We recommend that two people assemble it together and try to use the included hand tools. If you want to use a tool such as a drill, don't turn the torque up too much.

7.2 Boards broken into pieces during installation

# Please contact us to replace the plate free of charge.

7.3 Step 7 the length of the back piece does not match where it should be inserted.

# You need to slightly hand prop open the two side panels, now are not fixed, the side panels may be a little bit inclined. The total length of the 6 drawer dresser cabinet is 47.24", the thickness of this side panels is 1.18 inches.

# You are now short because the two side panels are angled against each other and have to be propped up by hand.

7.4 The top of the dresser does not align with the middle "leg" of the dresser, creating a gap where the screws can be seen.

# Reason 1: the backboard and top board slot is not properly aligned;

# Reason 2: the #6 feet are not adjusted properly, resulting in the center is not stressed and bent;

# Reason 3: the hardware is not fixed.

## 8.Drawer Issues

### 8.1Do not slide in smoothly or fit properly.

# Check if the drawer is installed backwards, retry swapping the wrong drawer position, try disassembling and reassembling.

### 8.2Drawers did not fully close.

# If it is confirmed that the drawer is installed correctly, it may be because the wrong drawer panel was shipped from the factory. (Please contact our after-sales email, we'll send you a replacement drawer panel)

### 8.3Drawers aren't aligned.

# Have to look at the slides of the misaligned drawers and the support of the center leg.(Board #5 and leg #6).

### 8.4Drawer collapse or off track problem

# The slides for the side panels on both sides need to be secured and the screws tightened to make sure there are no gaps between the each panels, you can try to reinstall them.

### 8.5 Gaps between drawers

# The drawer slides should have been installed incorrectly and not snapped in, see step 12.

Usually drawers are a problem, consider these points:

# Drawer H screws are not tightened.

# The backboard buckle in step 13 will wobble if it is not installed.

# The slides in step 2 are installed upside down.

# The slides and both drawer side panels may need to be replaced.

Please don't worry, any problem you can contact our after-sales email at any time, we are always at your service and provide you with satisfactory solutions.