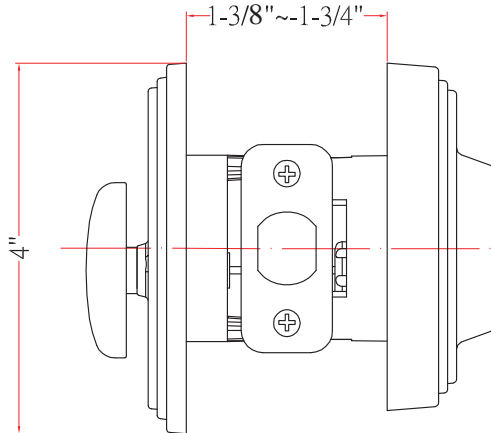


DEADBOLTS

ITALIAN COLLECTION

DELANEY
Designer Series™

DIMENSIONS



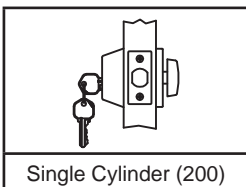
STANDARD SPECIFICATIONS

Door Prep	Cross bore: 2-1/8" Edge bore: 1" Latch face: 1" x 2-1/4"	Latches	Deadbolt: 2-3/8" & 2-3/4" adjustable (C9098 R/S) Faceplate: 1" x 2-1/4" Rd. & Sq. corner Bolt: 1" throw with hardened steel rod
Backset	Fits 2-3/8" and 2-3/4"	Strikes	2-1/4" full lip Rd. & Sq. corner (9118 R&S) Includes Reinforcement Strike.
Door Thickness	1-3/8" ~ 1-3/4" door standard, 2-1/4" Ext. Kit available	Wood Screws	Combination screws that suit both wood or metal door mounting Includes 3" Security Screws
Cylinder	SC1 5-pin standard ; KW1 5-pin optional Deadbolts packed KA5	Features	<ul style="list-style-type: none"> Protective collar Interlocking installation guides Reinforced spring assembly High Security Strike Plate

PRICING

Model	Function	WT/CTN	CTN QTY		US15 Satin Nickel	US10BE Edged Bronze	BL Black
200S	Single Cylinder	21 Lbs	10 Pcs	Item No.	372001	372007	372004
				List Price			
	Turn Button Only			Item No.	372200	372201	372202
				List Price			

FUNCTIONS



2-1/4" EXTENSION KITS

Item No:	Finish	List Price
377955	US15	\$1.89
377956	US10BE/Black	\$1.89