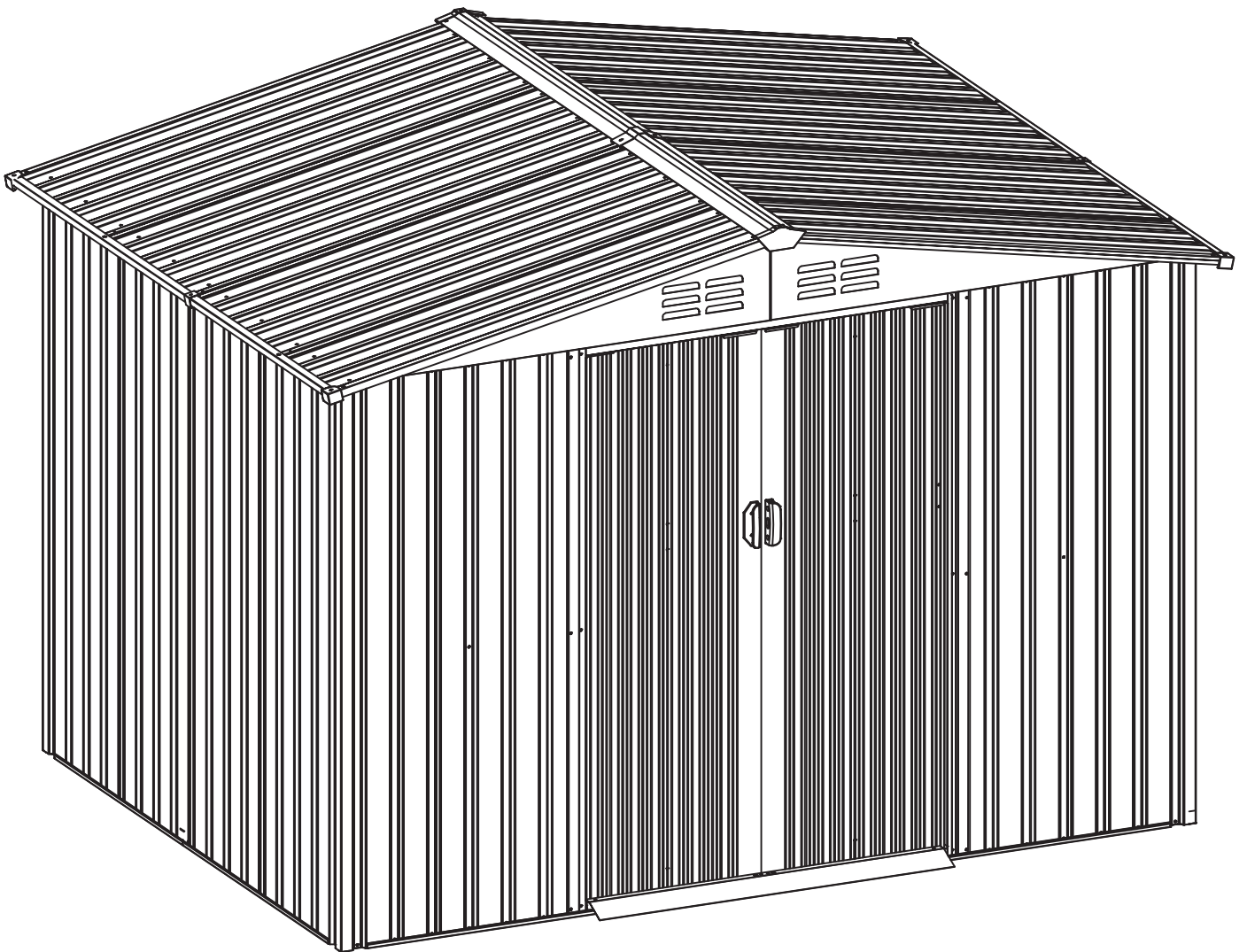


STORAGE SHED INSTALLATION

If you have any questions about the storage shed, please feel free to contact us.

Customer Service Email: Service@alaulm.com



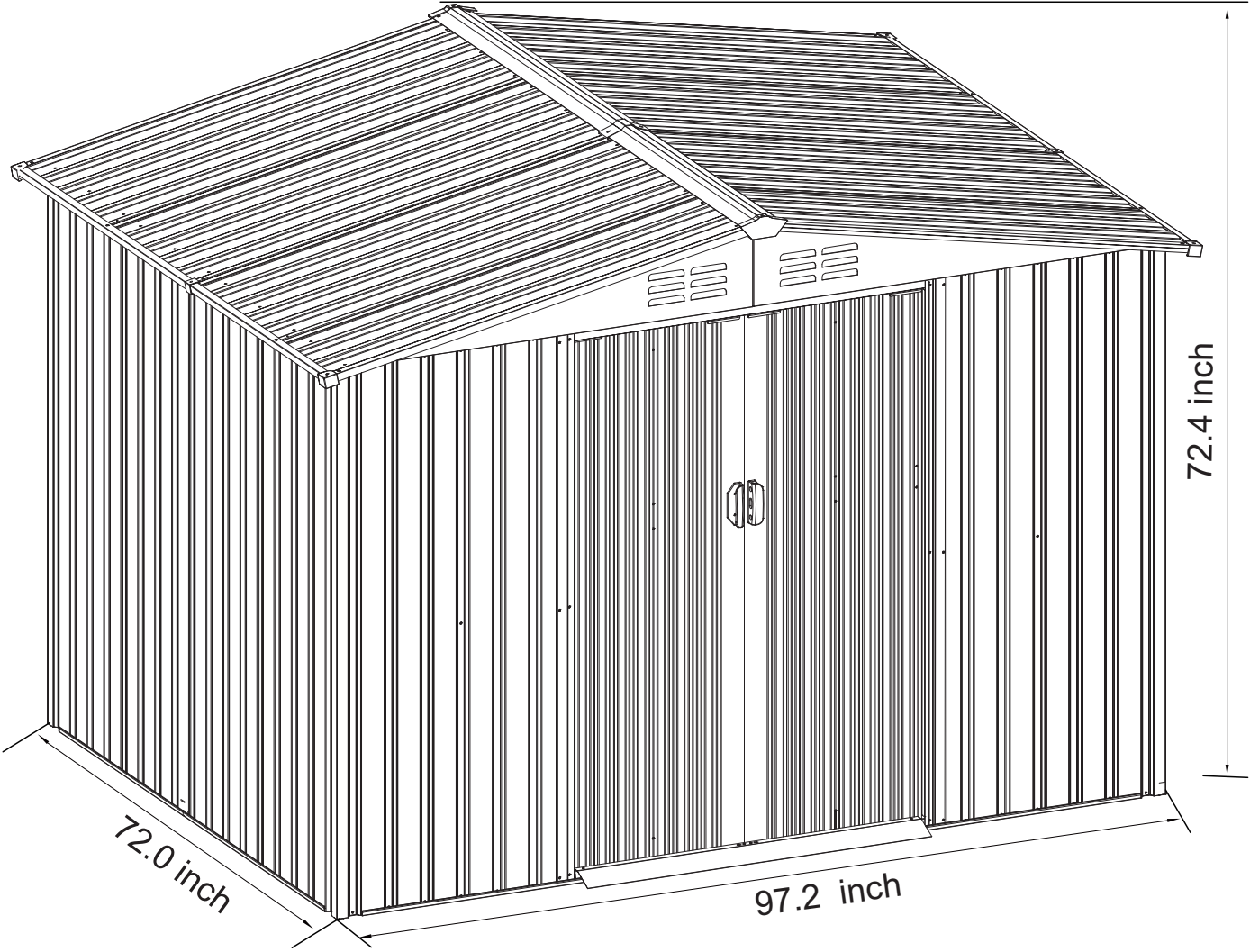
SKU:P25074-D1

IMPORTANT

PLEASE READ BEFORE YOU COMMENCE ASSEMBLY

Follow the guidelines in this user guide to ensure correct assembly and care for this product.

SPECIFICATIONS








Catalog

Specifications.....	01
Catalog.....	02
Warning	03
Installation Notes.....	04
Exploded Views.....	05
Part List	06
Extra	08
How to Assemble Storage Shed	09

NOTICE

Note:Please prepare below tools before installation.

The following tools are not included and needed for assembly:		
		
Pistol Drill	Tape Measure	Ladder
Package included Tools		
		
Screw Driver	Gloves x2 pair	

Warning

We recommend two adults to complete the installation. Two adults installed together will make the installation process easier and safer.

The gloves must be carried to prevent hand cuts during installation.

Take care when using power tools near water the use of a residual current device (RCD) is advised.

Please use the electric driver carefully during screwing to prevent the screw from slipping and hurting your hand.(We recommend that beginners use a manual screwdriver for installation.)

Be careful not to fall when installing the roof. Please steady the ladder and make sure the product placed on a flat ground.

PLEASE KEEP THIS INSTRUCTION FOR FUTURE REFERENCE.

Installation Notes

Please check the quantity of all parts before installation (Please refer to the Parts Lists) and the appearance of the products. Please make sure the product is correct before installation. If there is any problem, please contact us directly.

Make sure the colored panels are facing outwards and all the holes match. The panels are textured, please install the panels in the order specified in the instructions. All lines and holes must be accurately matched to make the storage shed more stable. Please ensure that all screws are tightened to prevent the product from falling apart.

There is a protective film on the surface to protect the product, please tear it off after installation to get the final presentation. If you do not damage the film during installation, it can also remain on the product to protect the product.

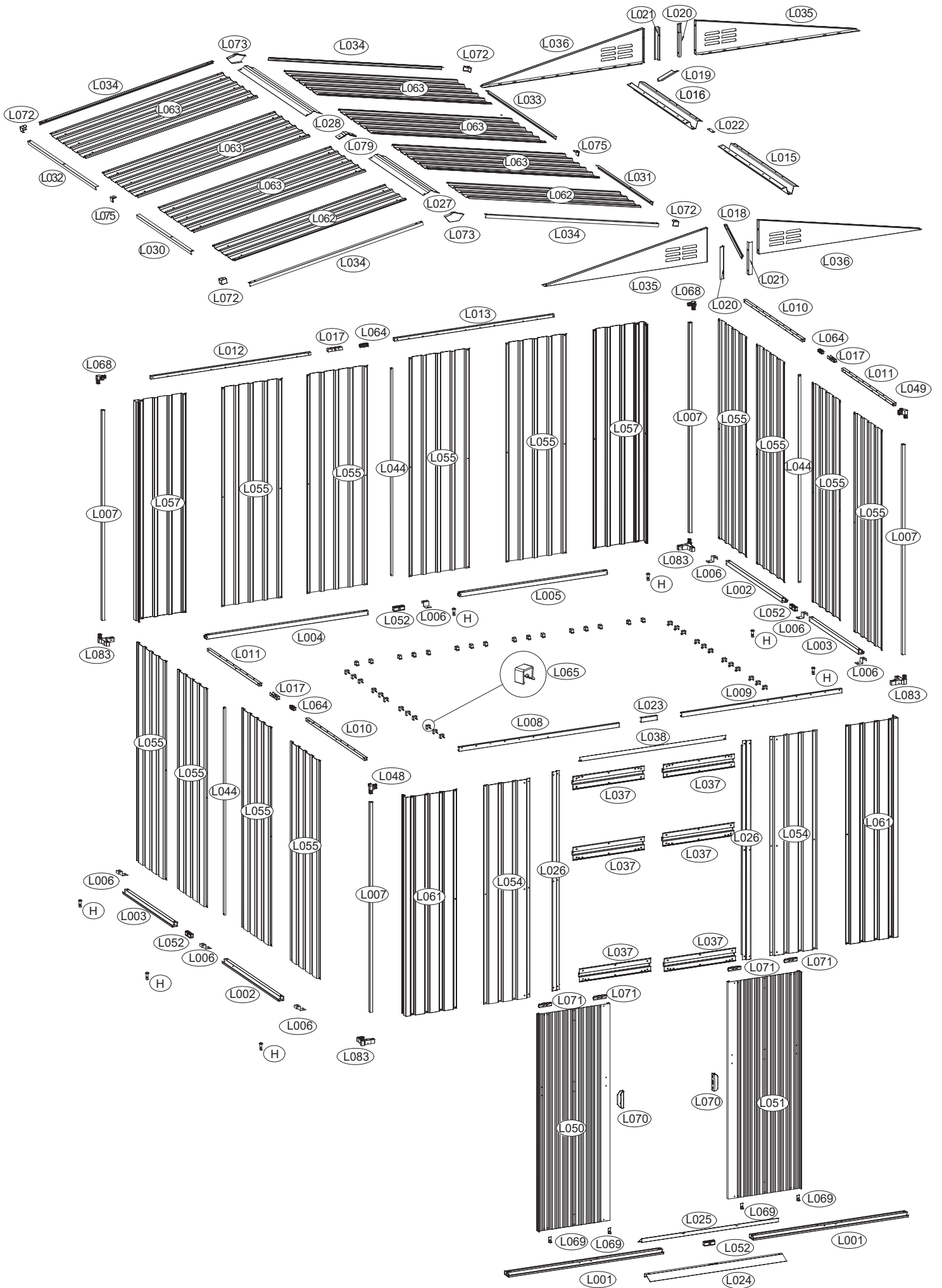
Please place the product on a flat ground to prevent leaning and collapse. If the ground is uneven, the door may can't be closed.

Attention:






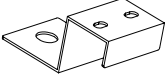

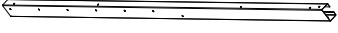
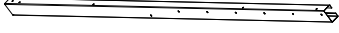




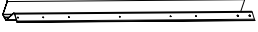
Please read this instruction carefully before installation and follow it strictly during installation.


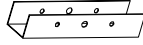
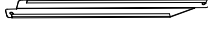




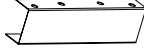

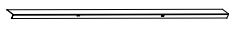




Ensure that there are no problems later due to installation errors.

EXPLODED VIEWS


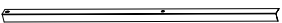


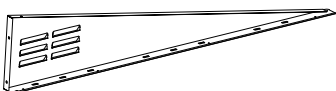

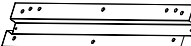
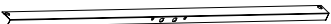

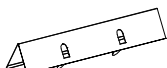

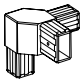
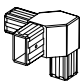



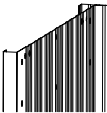



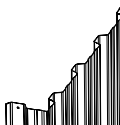
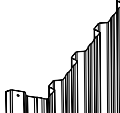
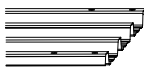

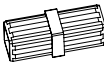

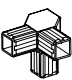
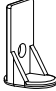
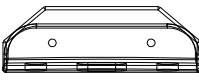
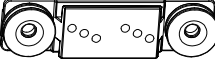
PART LIST

NO	PART	QTY
L001	 1154.5mm	2
L002	 994mm	2
L003	 673mm	2
L004	 994mm	1
L005	 1315mm	1
L006		7
L007	 1495mm	4
L008	 1196.2mm	1
L009	 1196.2mm	1
L010	 925.2mm	2
L011	 818.2mm	2
L012	 1192.7mm	1
L013	 1192.7mm	1
L015	 998.5mm	1


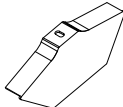
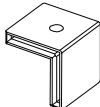
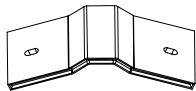

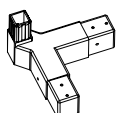
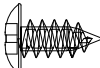
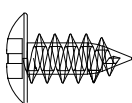
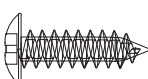
NO	PART	QTY
L016	 918.5mm	1
L017	 100mm	3
L018	 353mm	1
L019	 353mm	1
L020	 230mm	2
L021	 230mm	2
L022		1
L023	 120mm	1
L024	 EXPLODED VIEW 1080mm	1
L025	 1020mm	1
L026	 1560mm	2
L027	 858mm	1
L028	 1072mm	1
L030	 858mm	1

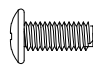


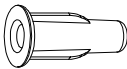
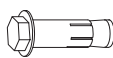
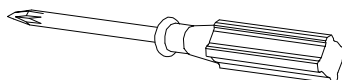
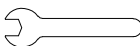

PART LIST

NO	PART	QTY
L031	 858mm	1
L032	 1072mm	1
L033	 1072mm	1
L034	 1316mm	4
L035		2
L036		2
L037	 532mm	6
L038	 1090mm	1
L044	 1545.5mm	3
L046	 360mm	1
L047	 500mm	1
L048		1
L049		1
L050	 1545mm	1

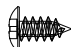
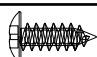



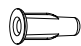

NO	PART	QTY
L051	 1545mm	1
L052		4
L054	 1560mm	2
L055	 1560mm	12
L057	 1560mm	2
L061	 1560mm	2
L062	 1308mm	2
L063	 1308mm	6
L064		3
L065		40
L068		2
L069		4
L070		2
L071		4

PART LIST




NO	PART	QTY
L072		4
L073		2
L075		2
L079		1
L081		4
L083		4
A		203
B		16
C		6

NO	PART	QTY
D		63
E		184
F		61
G		44
H	 M6X50mm	7
J		1
K		1
M		2

Extra

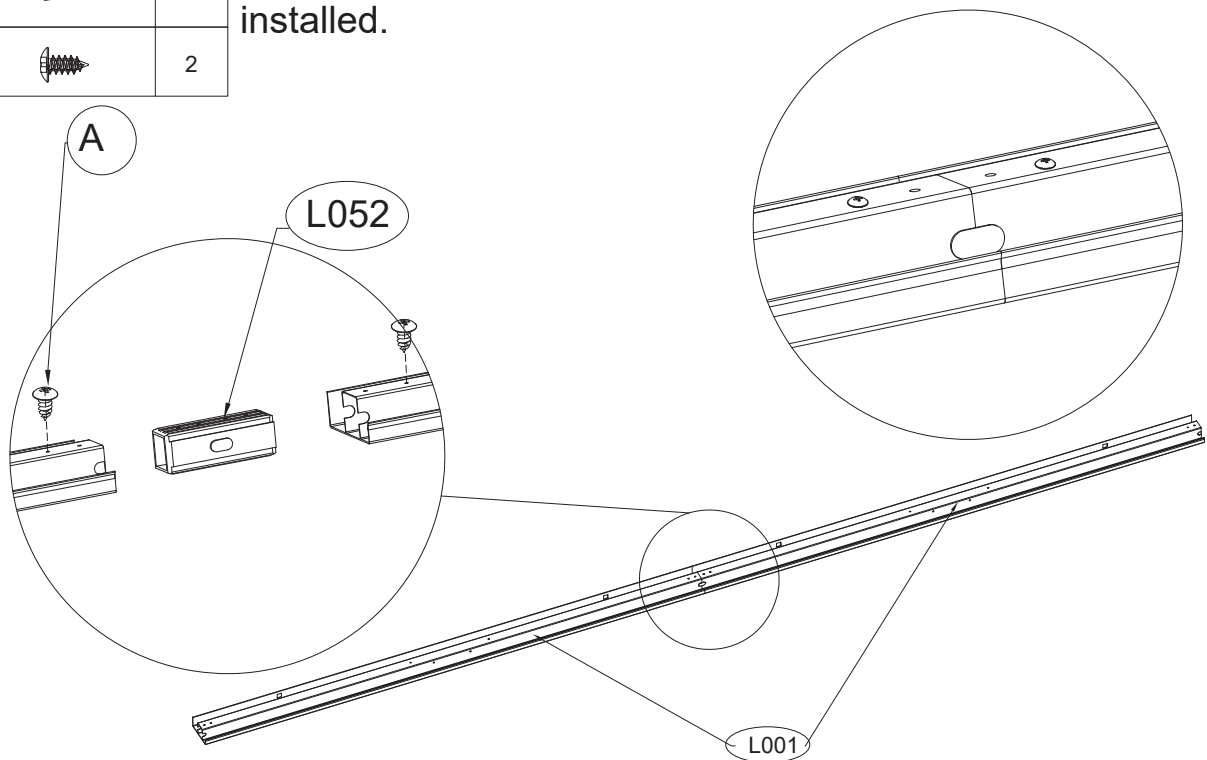
NO	PART	Description	Qty
A		Bolt M4*10	10
B		Bolt M5*16	2
D		Bolt M4*8	5
E		Wacher	8
F		Hexagonal nuts M4	5
G		Screw protector	5
L065		Plastic Snap	5




Installation steps

NO	PART	QTY
L001	 1154.5mm	2
L052		1
A		2

STEP 1: Connect two (L001) with (L052) and tighten with screws (A).

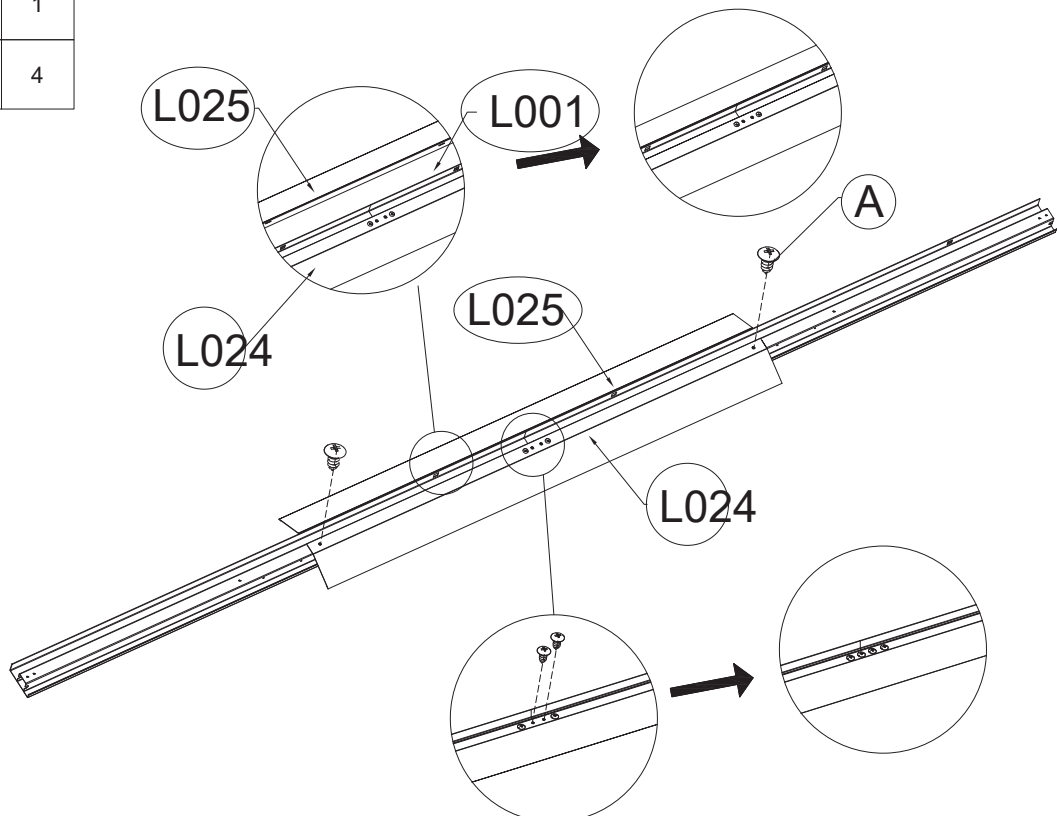
NOTE: There are four screws on the inside that don't need to be installed.








NO	PART	QTY
L024	 1020mm	1
L025	 1020mm	1
A		4

STEP 2: Attach the L024 to the bottom frame (L025) with screws (A).

NOTE: The four screws on L001 do not need to be removed.

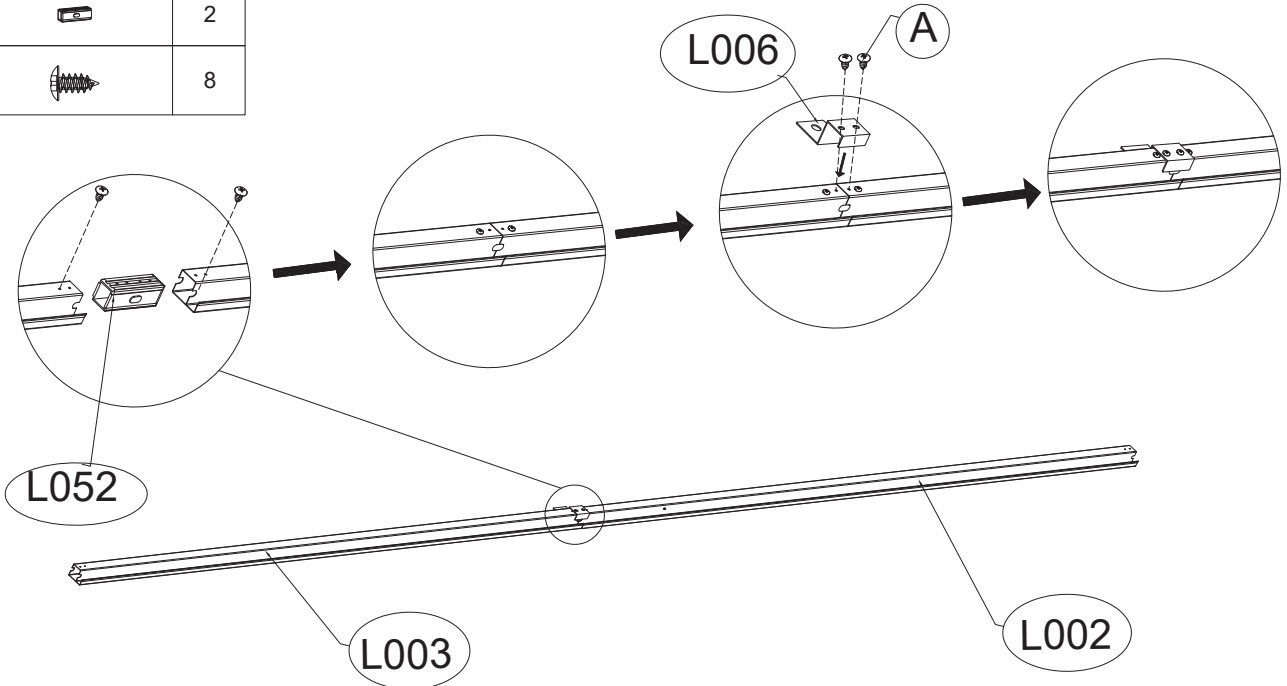







Installation steps

NO	PART	QTY
L002	 994mm	2
L003	 673mm	2
L006		2
L052		2
A		8

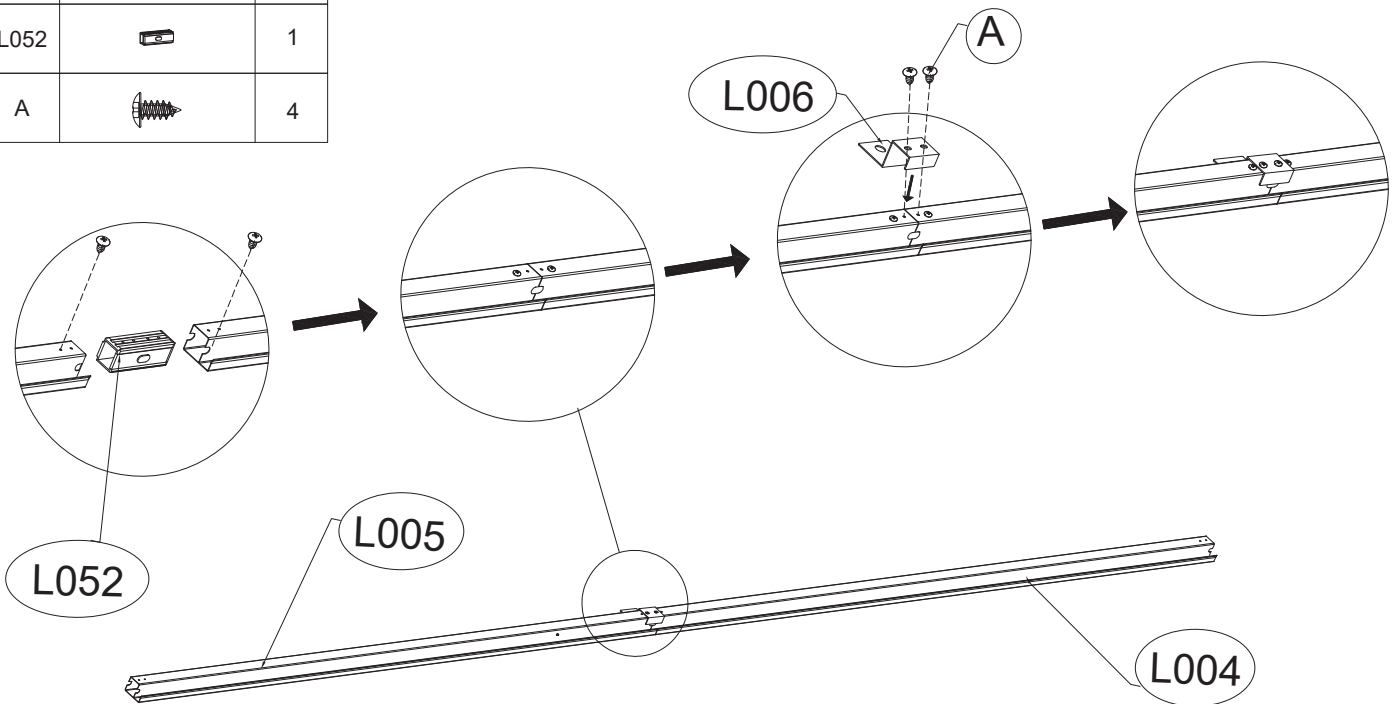
STEP 3: Connect L002, L003 with L052 and secure them with screws(A). Then mount the L006 to it and secure it with screws(A).

X2






NO	PART	QTY
L004	 994mm	1
L005	 1315mm	1
L006		1
L052		1
A		4

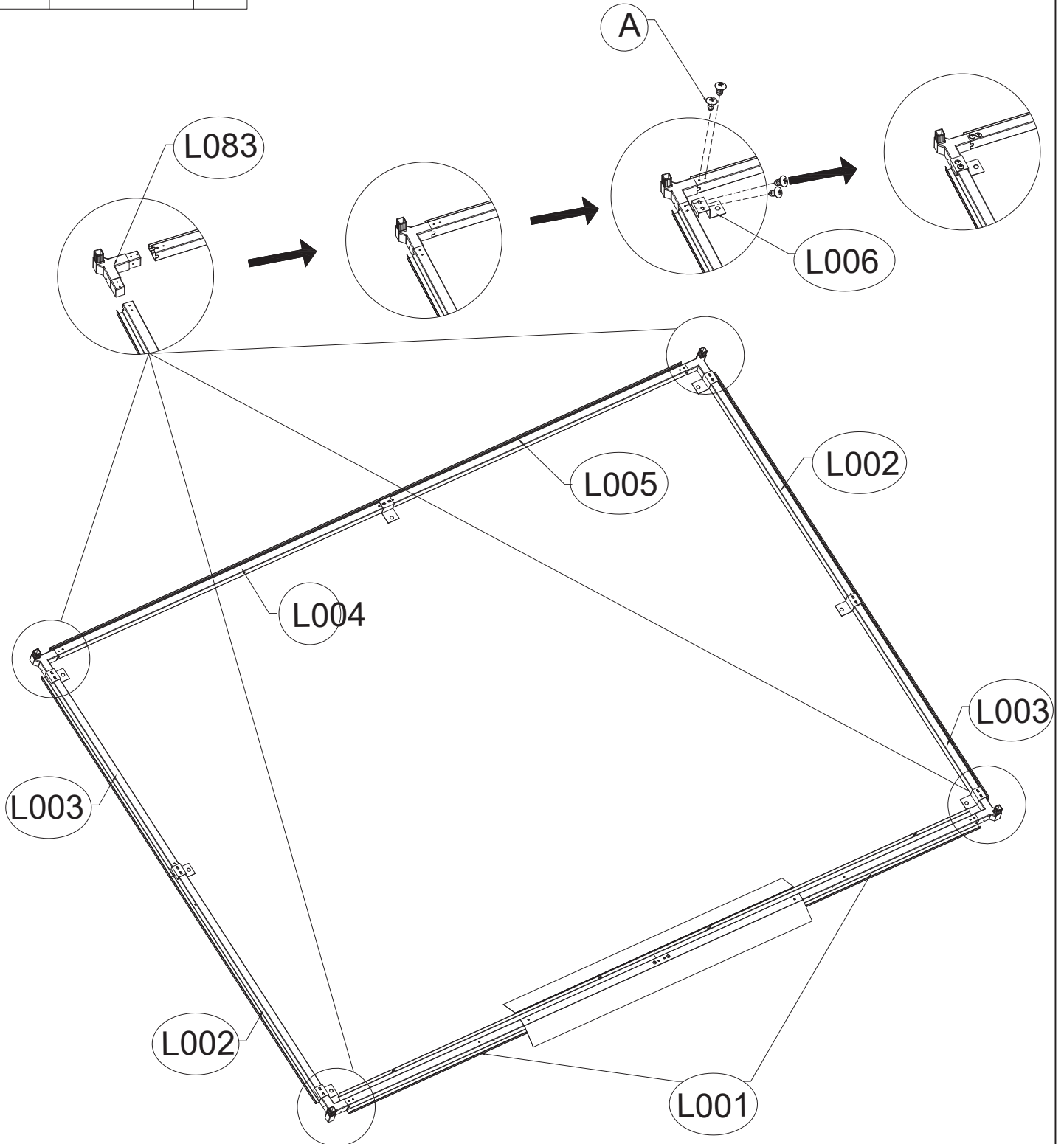
STEP 4: Connect L004, L005 with L052 and secure them with screws(A). Then mount the L006 to it and secure it with screws(A).




Installation steps

NO	PART	QTY
L006		4
L083		4
A		16

STEP 5: Connect the assembled bottom beams with L083 in the order shown in the picture. And mounted with screws(A) at the four corners of the L006.

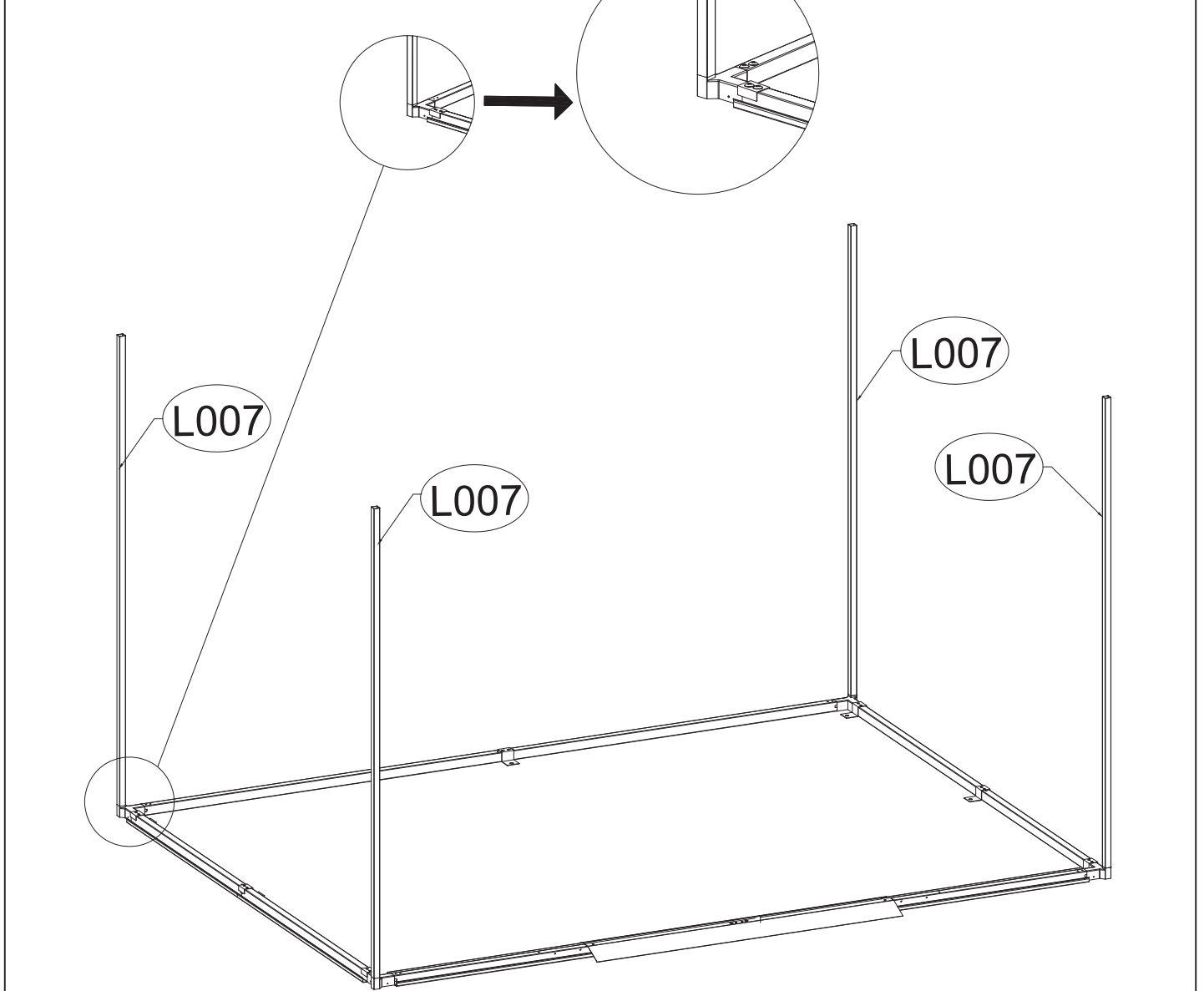





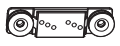

Installation steps

NO	PART	QTY
L007	 1495mm	4

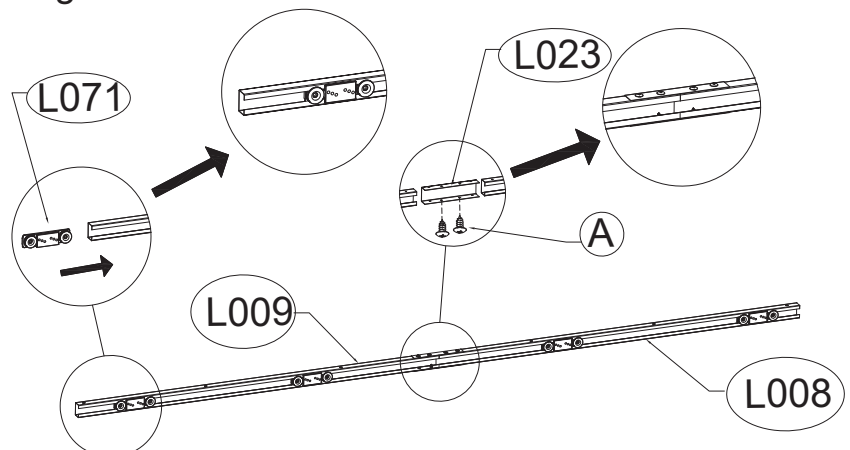
STEP 6: Installation of four L007.

X4





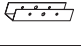


NO	PART	QTY
L008	 1196, 2mm	1
L009	 1196, 2mm	1
L023	 120mm	1
L071		4
A		2

STEP 7: Connect L008 and L009 with L023, secure with screws, slide two L071's in from the left and two L071's in from the right.

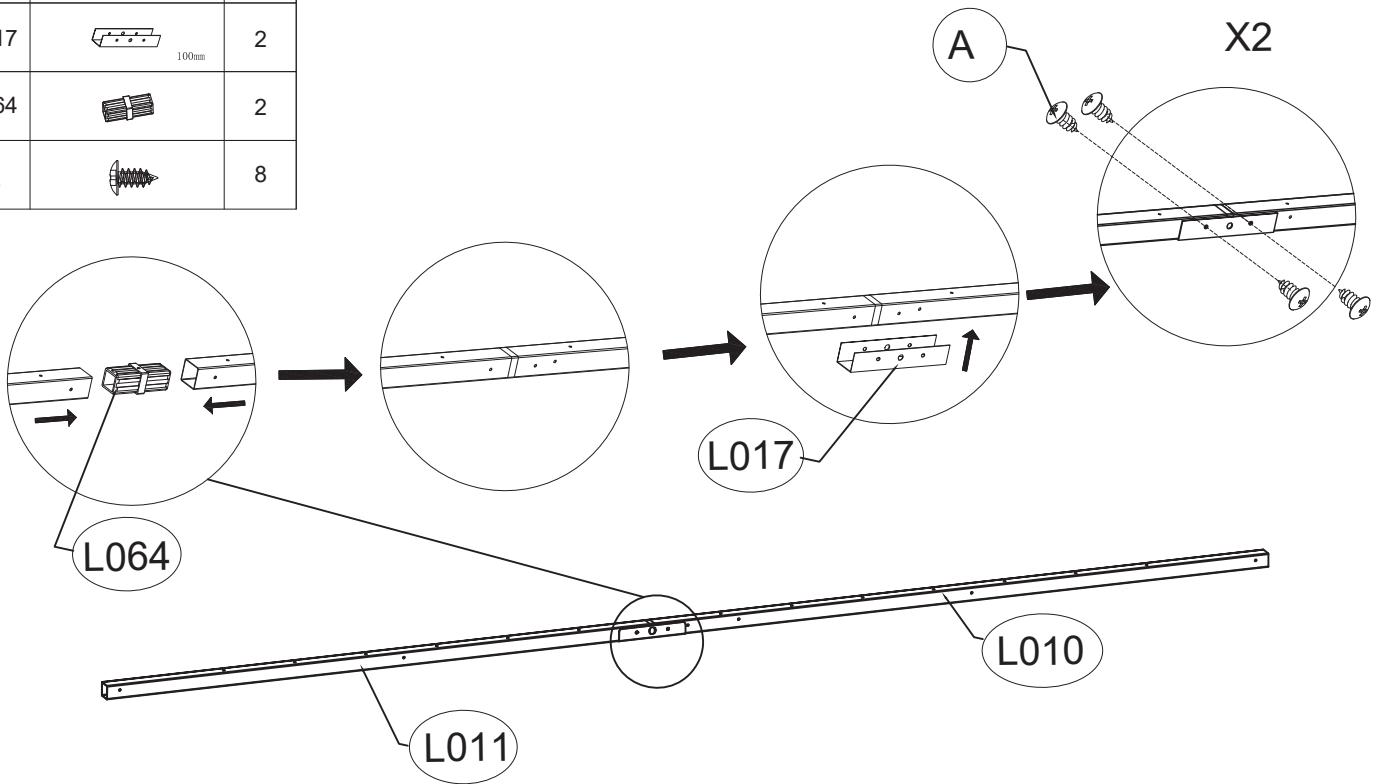


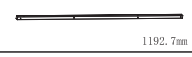

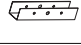


X4

Installation steps

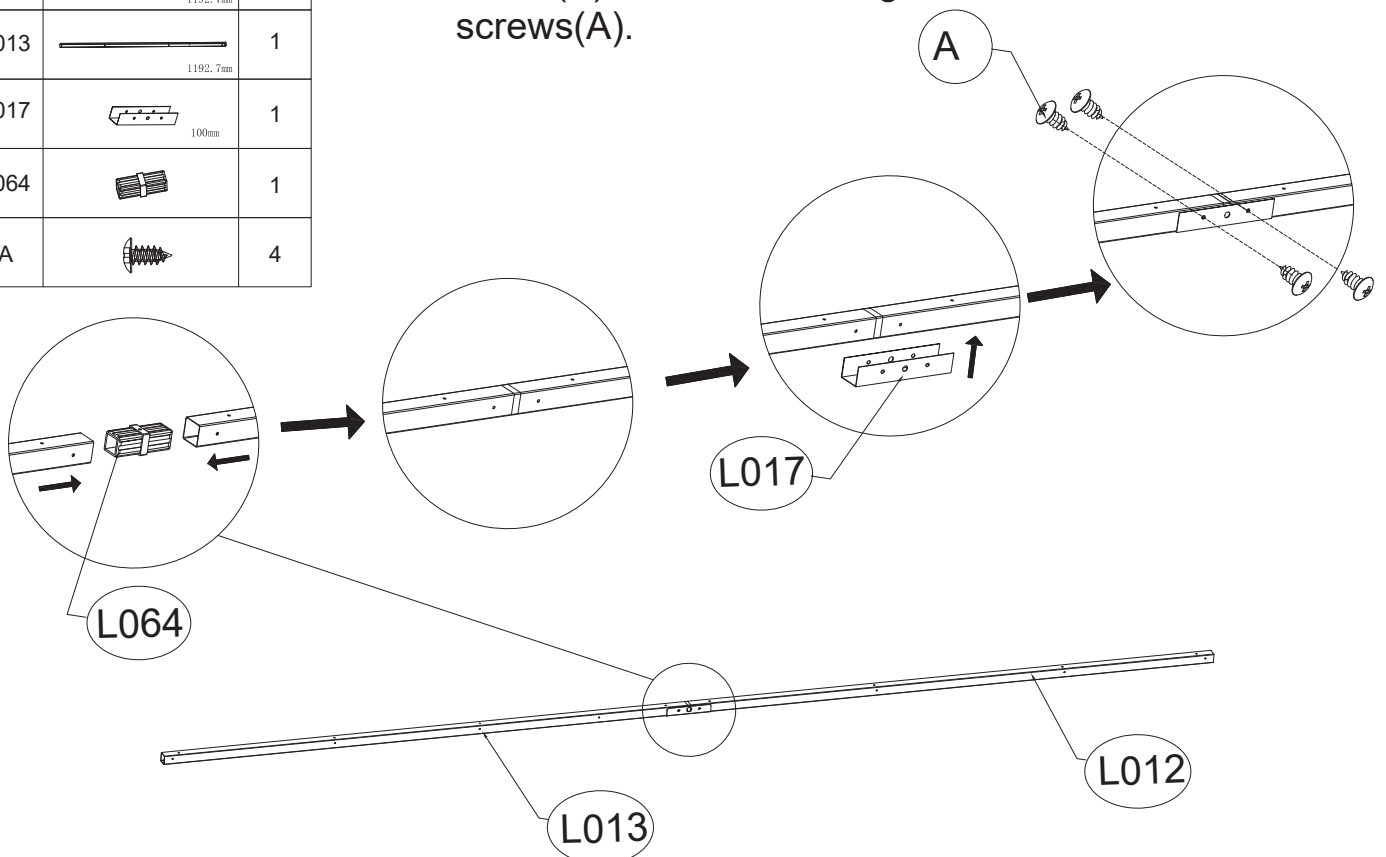
NO	PART	QTY
L010	 925.2mm	2
L011	 818.2mm	2
L017	 100mm	2
L064		2
A		8

STEP 8: Connect L011 and L010 with L064 and secure with screws(A). Put on L017, align the holes and secure with screws(A).







NO	PART	QTY
L012	 1192.7mm	1
L013	 1192.7mm	1
L017	 100mm	1
L064		1
A		4

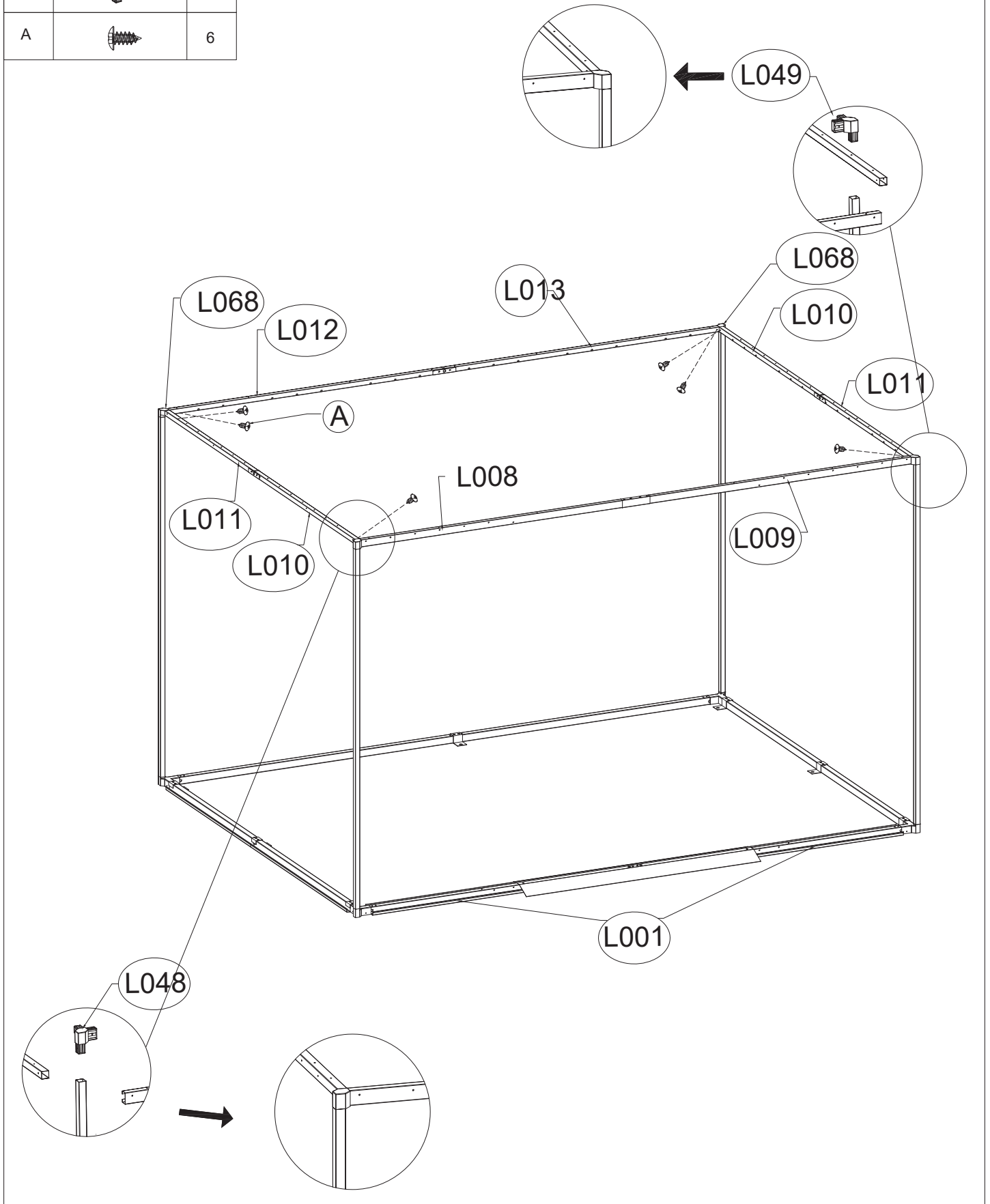
STEP 9: Connect L013 and L012 with L064 and secure with screws(A). Put on L017, align the holes and secure with screws(A).





Installation steps

NO	PART	QTY
L048		1
L049		1
L068		2
A		6

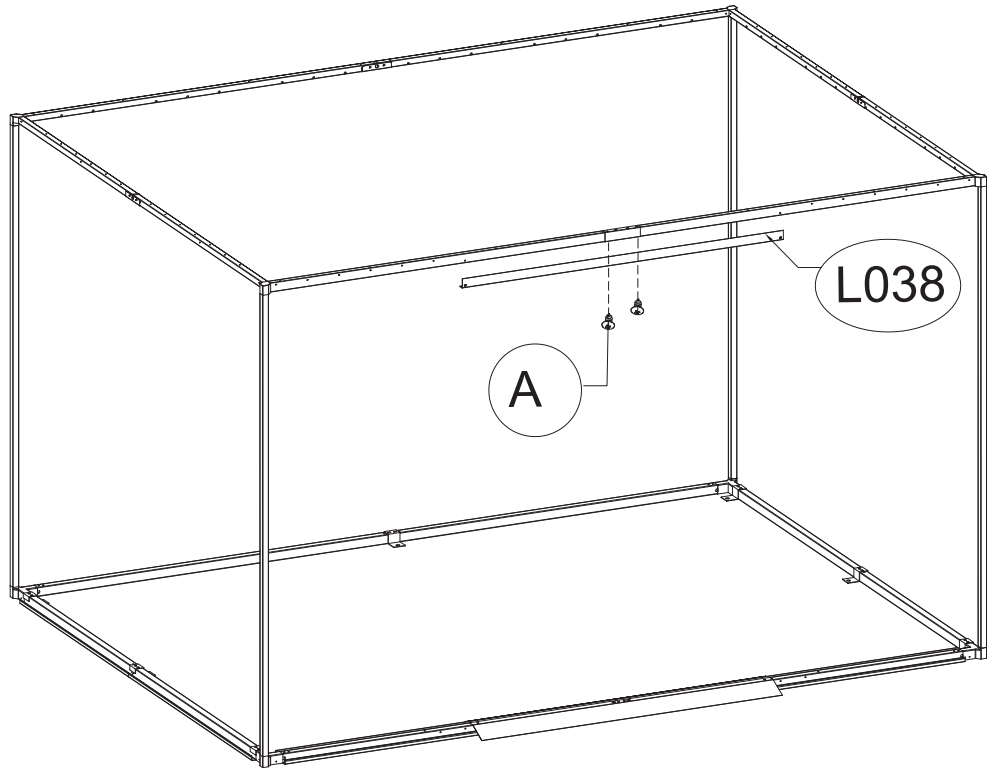
STEP 8: Insert L048, L049, and L068 into the risers in the positions as shown in the picture, insert the four previously connected rods into the connectors as shown, and fasten them with screws(A).





Installation steps

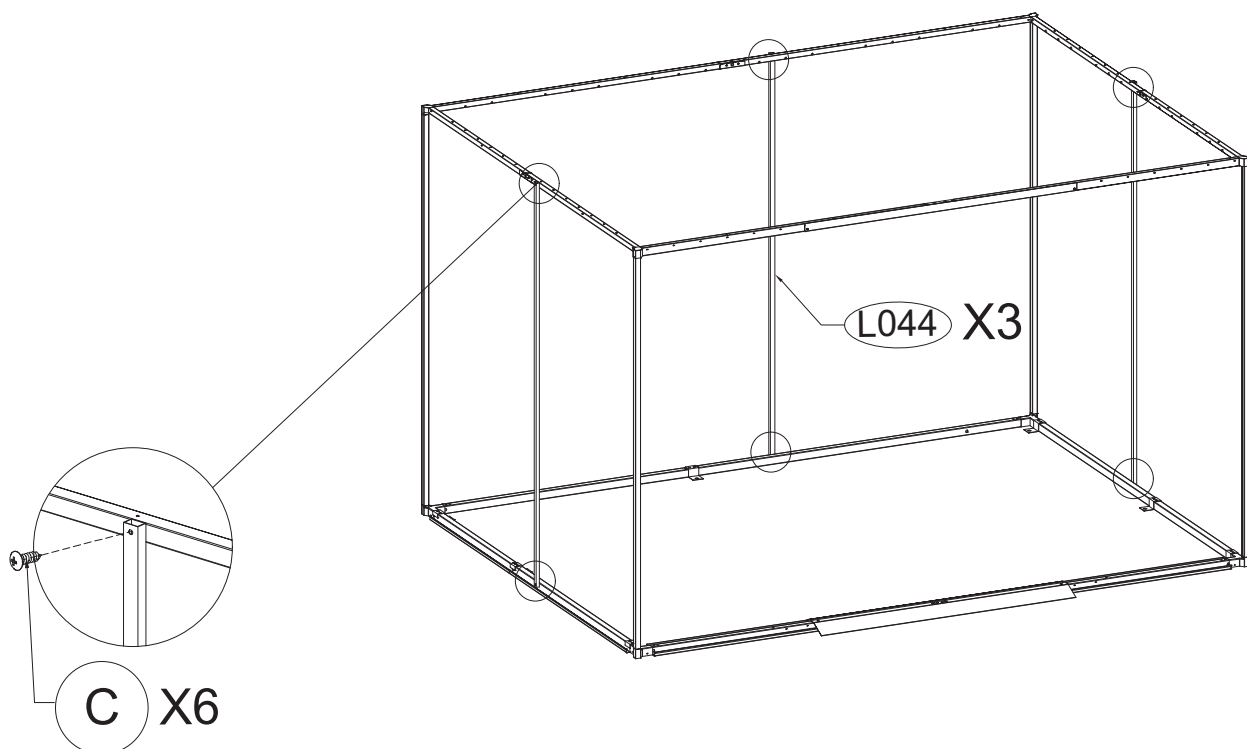
NO	PART	QTY
L038	 1090mm	1
A		2

STEP 9: Attach L038 to the upper beam on the front with screws(A).

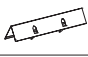





NO	PART	QTY
L044	 1545.5mm	3
C		6

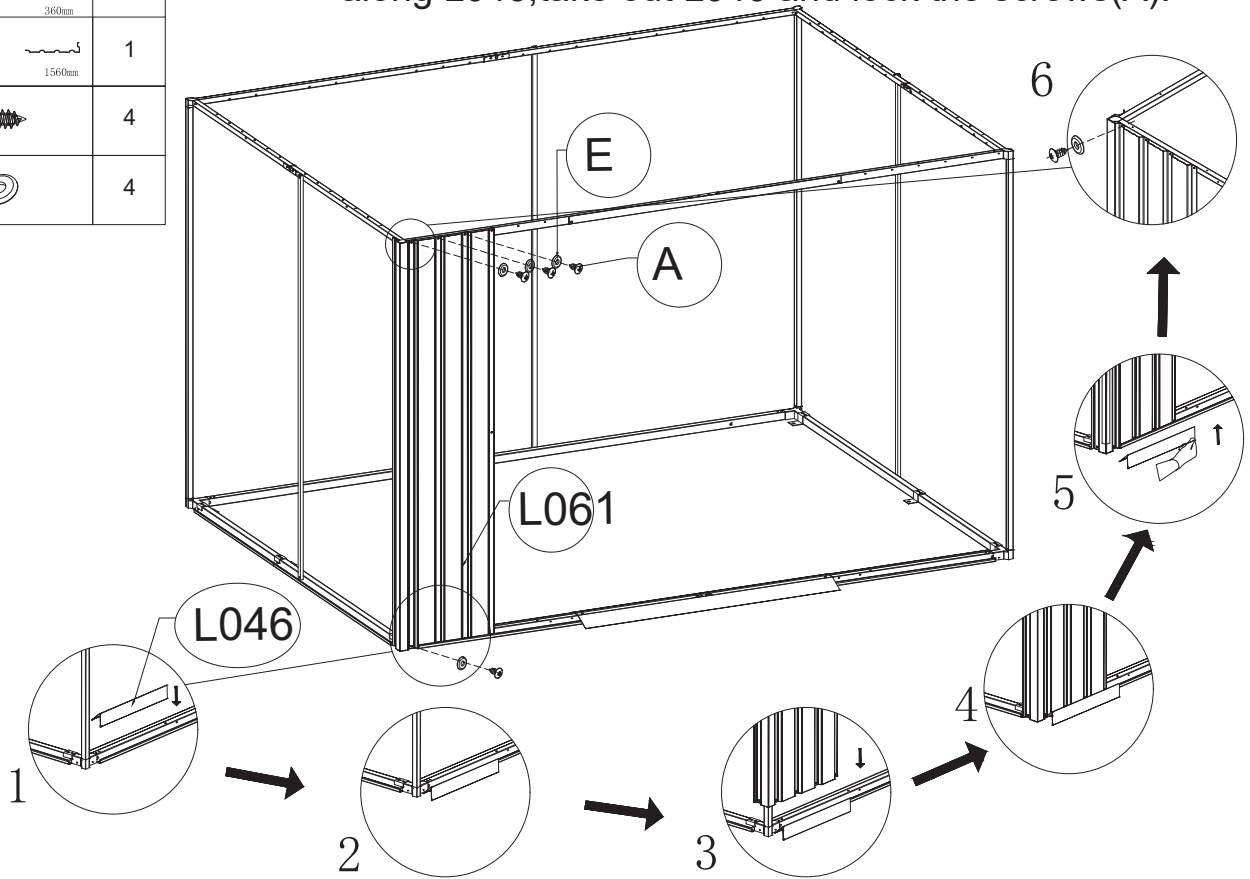
Step 10 Insert the mounted (L044) on the outside of (L002,L005) in the order shown and tighten with screws (C).








Installation steps

NO	PART	QTY
L046	 360mm	1
L061	 1560mm	1
A		4
E		4

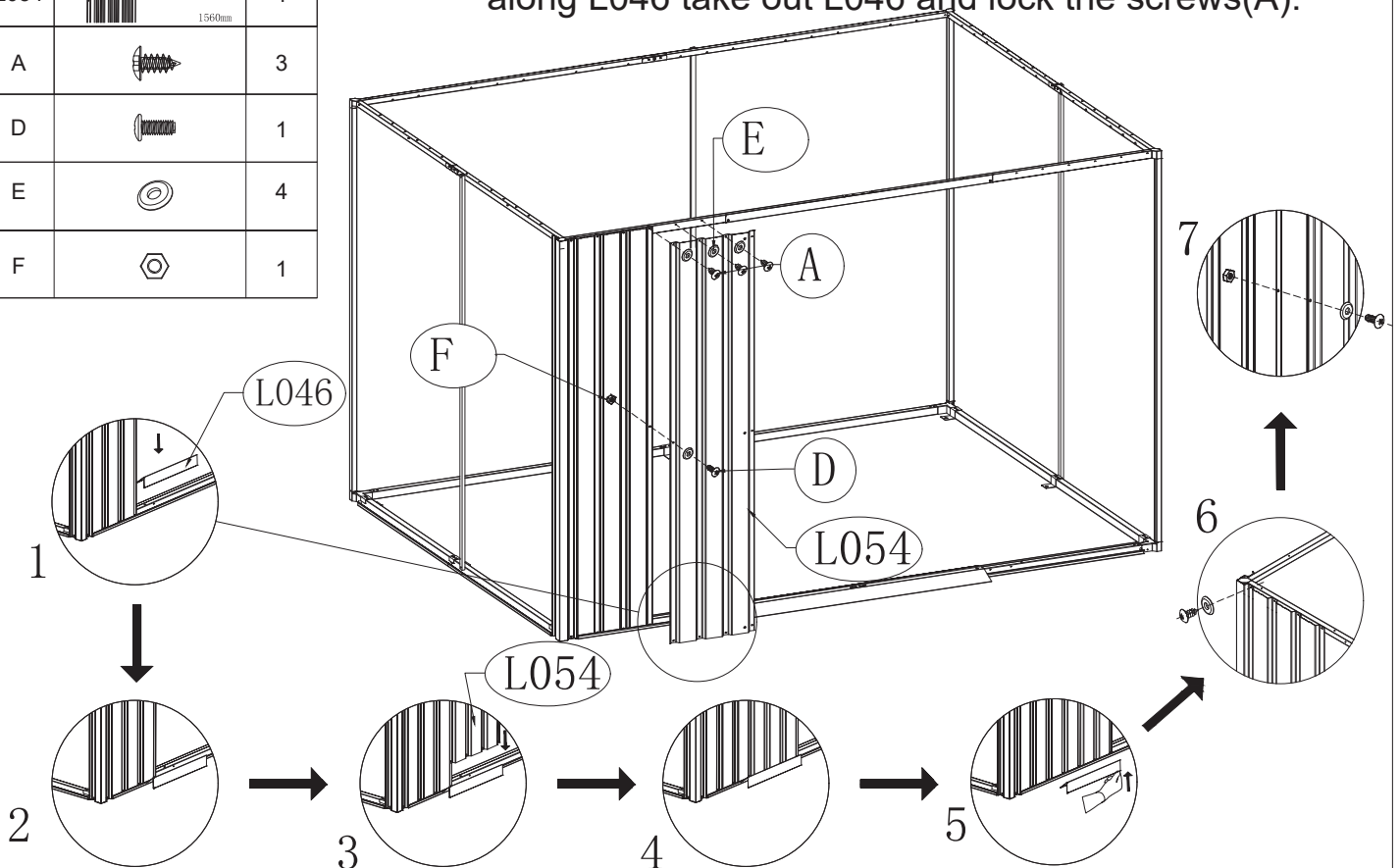
STEP 11:Mount L046 to the bottom front beam,Insert L061 along L046,take out L046 and lock the screws(A).








K 4 along 41,

NO	PART	QTY
L054	 1560mm	1
A		3
D		1
E		4
F		1

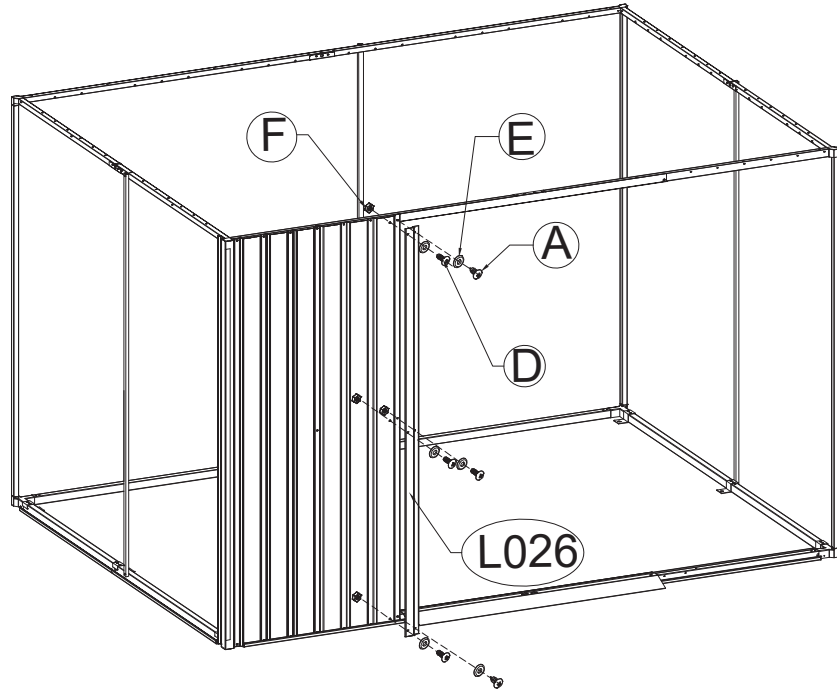
STEP 12:Mount L046 to the bottom front beam,Insert L054 along L046 take out L046 and lock the screws(A).






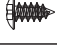



Installation steps

NO	PART	QTY
L026	 1560mm	1
A		2
D		4
E		6
F		4

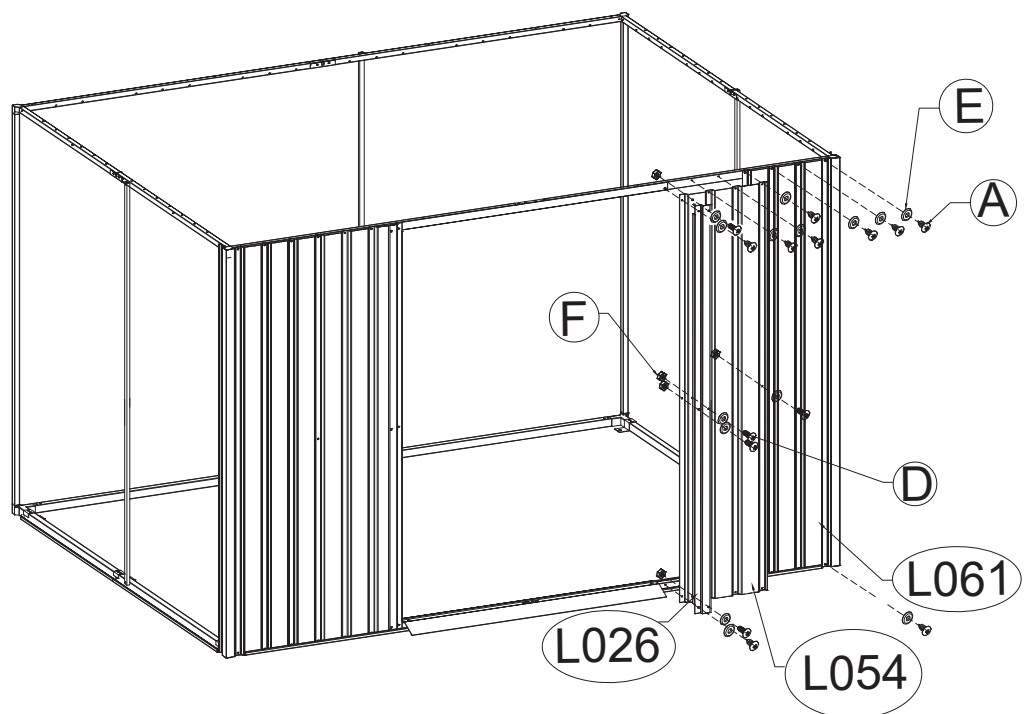
STEP 13:Mount L026 to upper and lower beams and secure with screws(A,D,F).




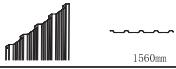




K 4,

NO	PART	QTY
L026	 1560mm	1
L054	 1560mm	1
L061	 1560mm	1
A		9
D		5
E		14
F		5

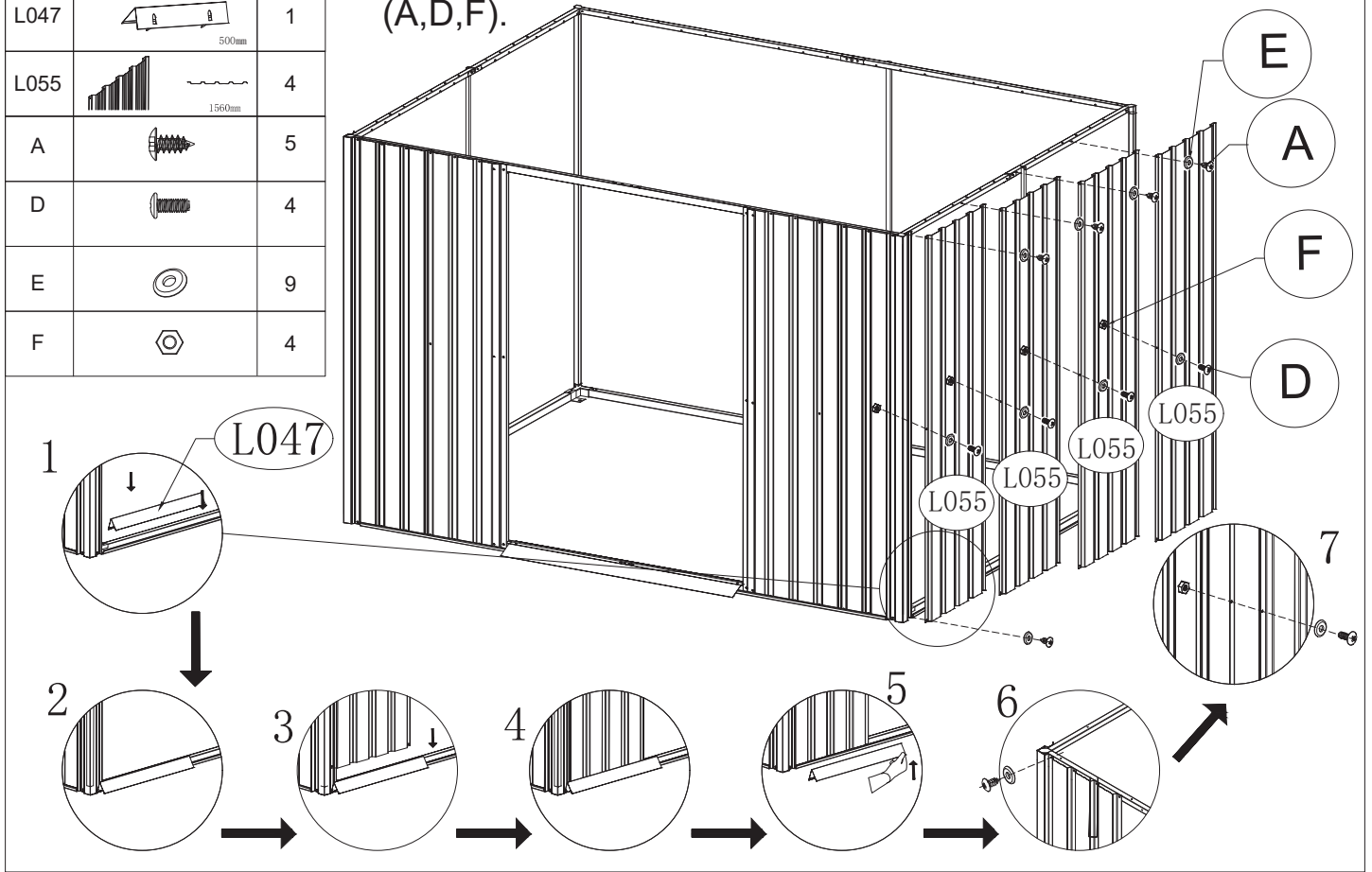
STEP 14:Install L061, L054, and L026 in turn and secure with screws(A,D,F).




Installation steps

NO	PART	QTY
L047		1
L055		4
A		5
D		4
E		9
F		4

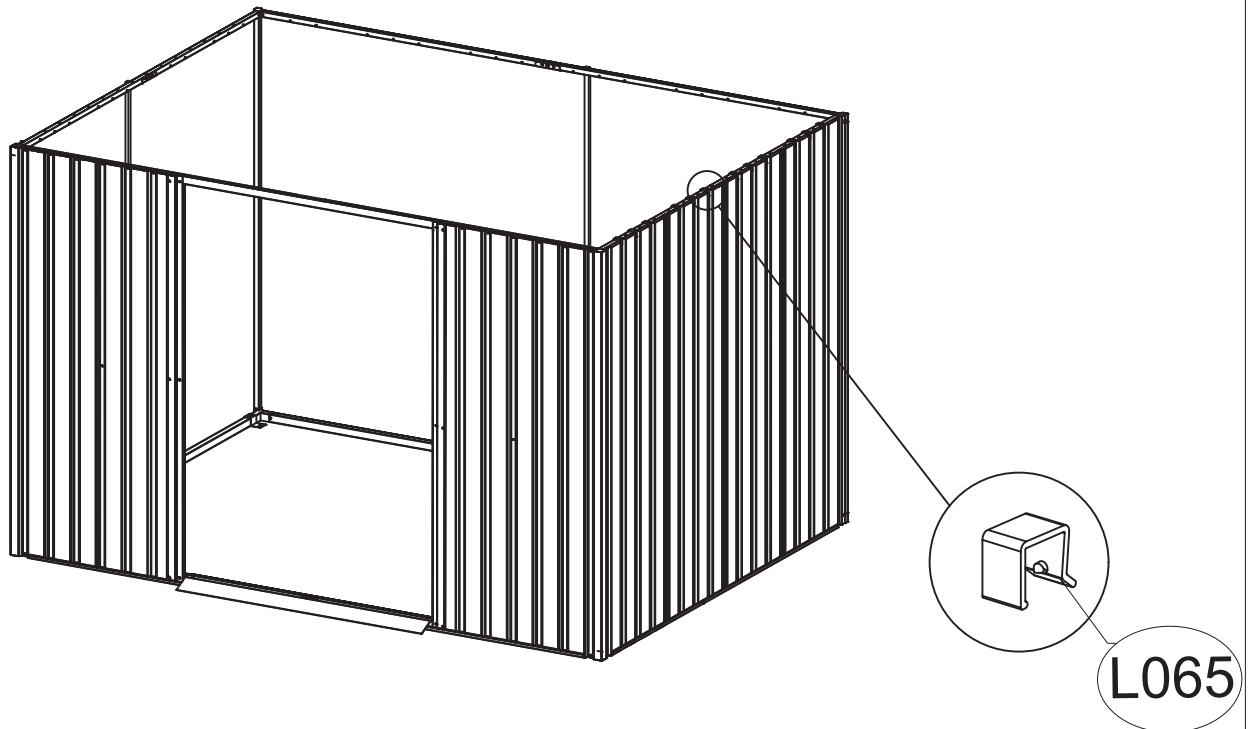
STEP 15: Mount the L055 to the side and secure with screws (A,D,F).









NO	PART	QTY
L065		12

Step 16: using plastic clips (RL065).

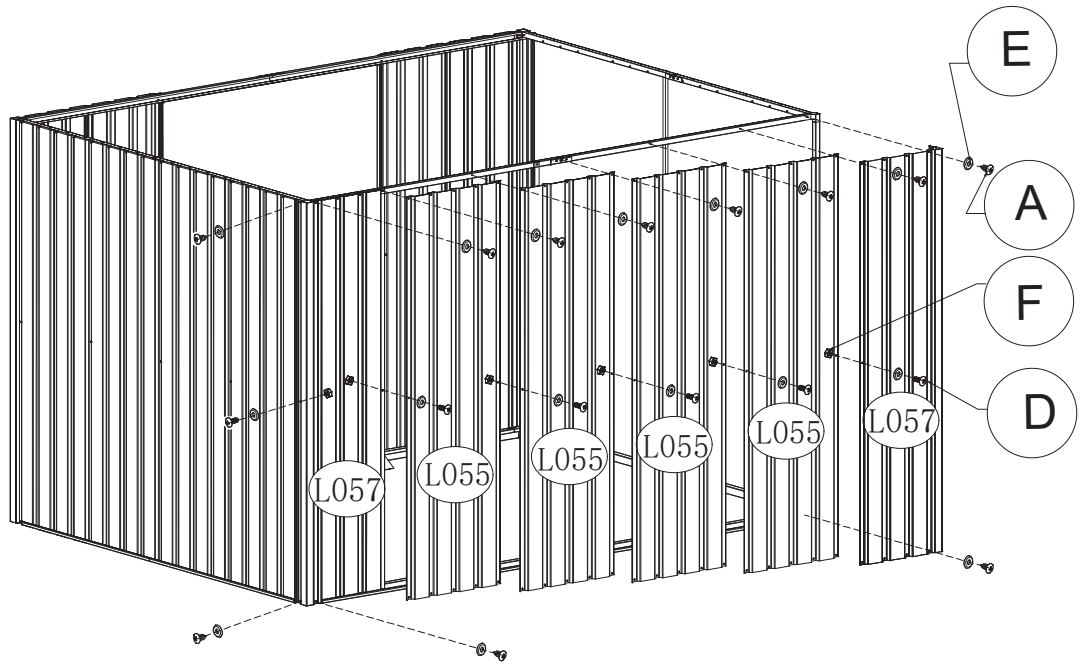
Note: Orient the snap with the vertical side facing up.

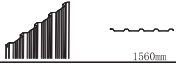






Installation steps

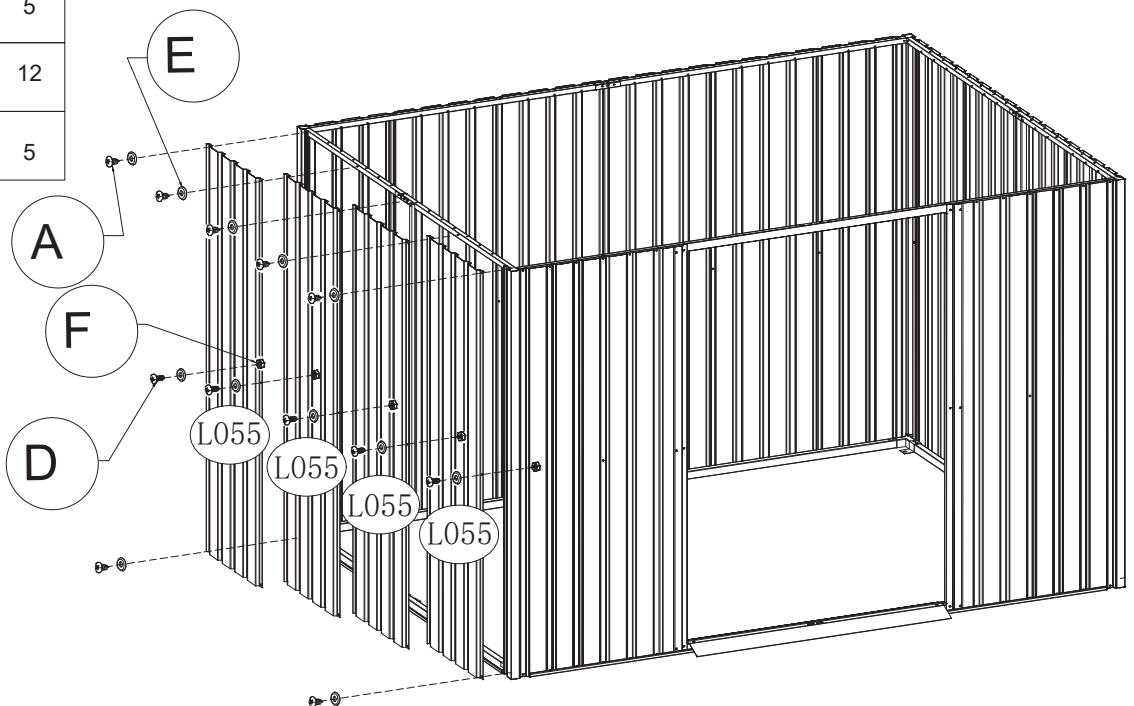
NO	PART	QTY
L055	 1560mm	4
L057	 1560mm	2
A		11
D		6
E		17
F		6

STEP 17: Attach L055, L057 in turn to the beam and fasten with screws (A, D, F).




NO	PART	QTY
L055	 1560mm	4
A		7
D		5
E		12
F		5

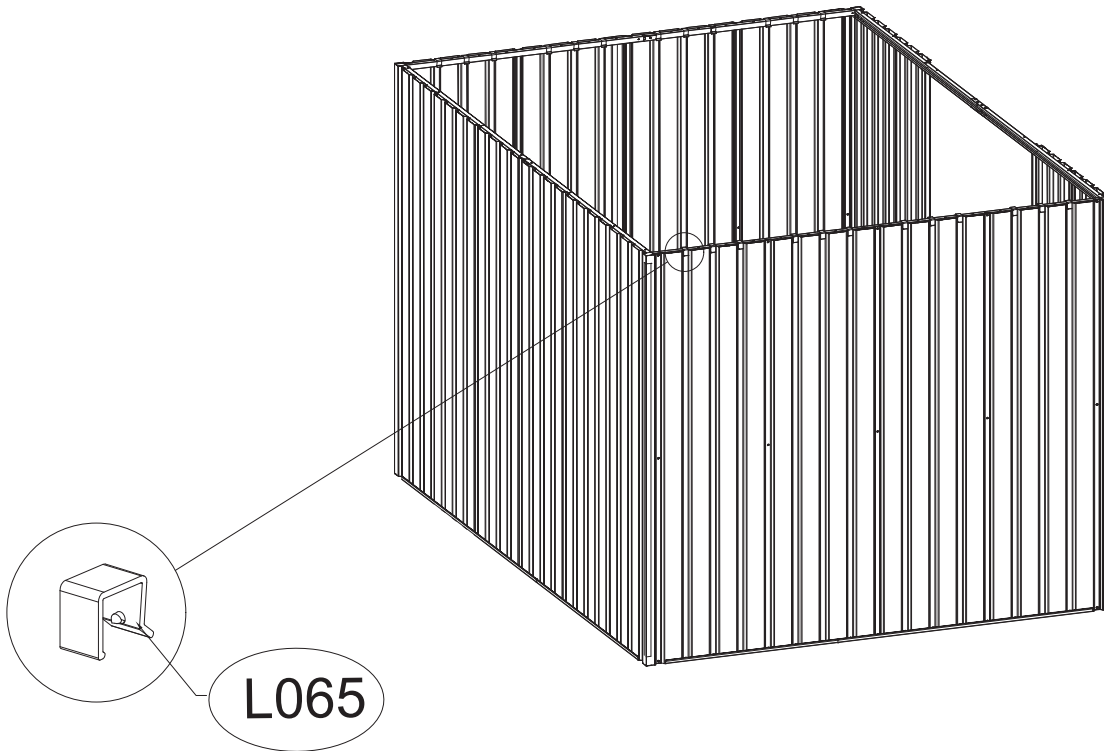
STEP 18: Attach L055 in turn to the beam and fasten with screws (A, D, F).











Installation steps

NO	PART	QTY
L065		12

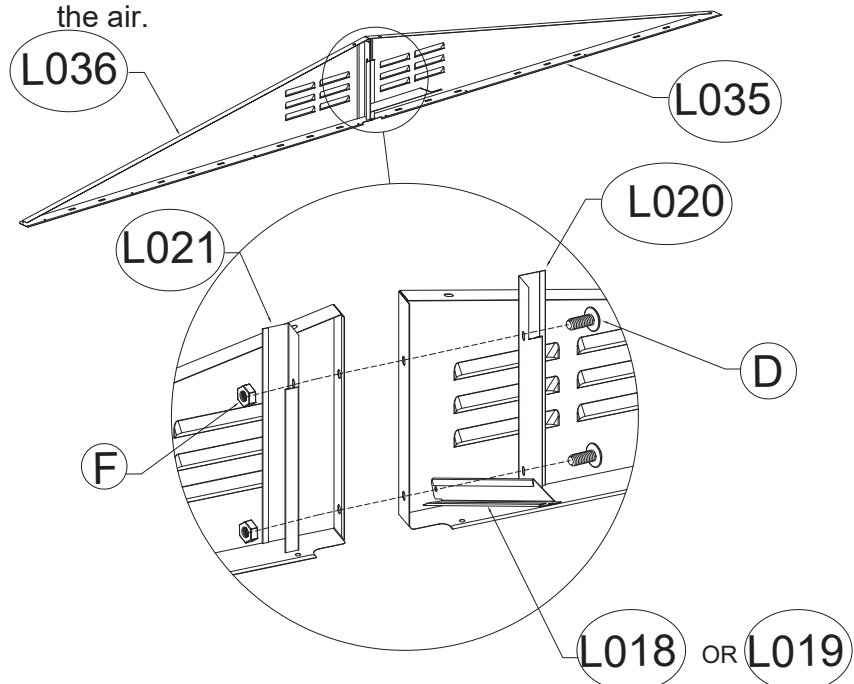
STEP 19: Snap the clips(L065)onto the notches of the shingles that are not screw-locked in place.(Horizontal surface facing out)




NO.	PART.	Qty.
L018	 353mm	1
L019	 353mm	1
L020	 230mm	2
L021	 230mm	2
L035		2
L036		2
D		4
F		4

STEP 20: Then snap L020 and L021 into the triangular support plate(L035,L036), with the holes aligned, and sandwich L018 between the two triangular support plates(L035,L036), with the holes aligned with the holes near the long right-angled side and fasten with screws(D) and nuts(F).

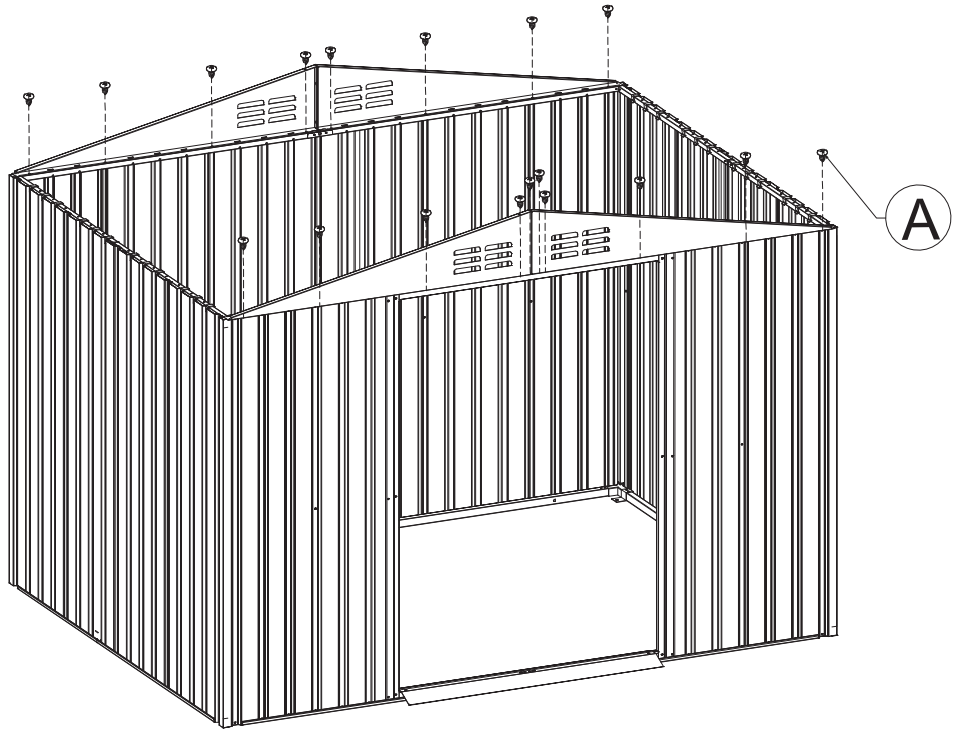
NOTE: Place the spacer into the screws first, then the spacer and bezel bar holes are aligned for installation. Note the orientation of the diagonal struts, with the diagonal ends facing up and temporarily suspended in the air. X2




Installation steps

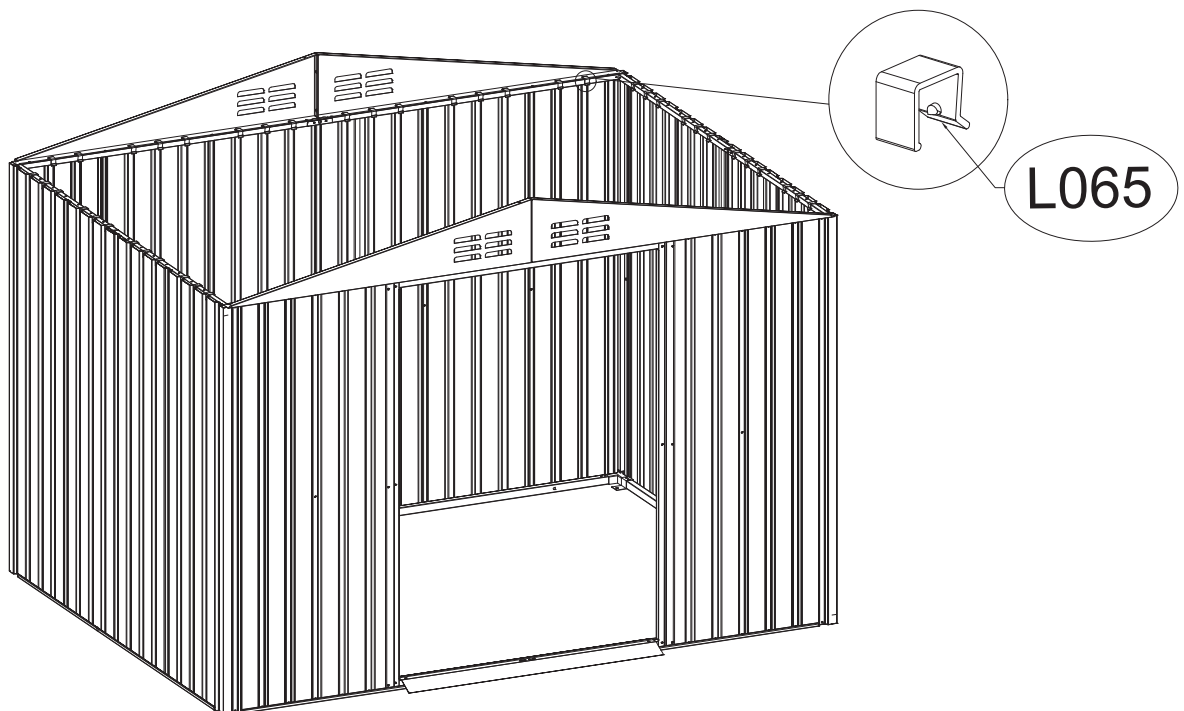
NO	PART	QTY
A		18

STEP 21: Attach the assembled triangle to the main body and shrink it with screws(A).








NO	PART	QTY
L065		16

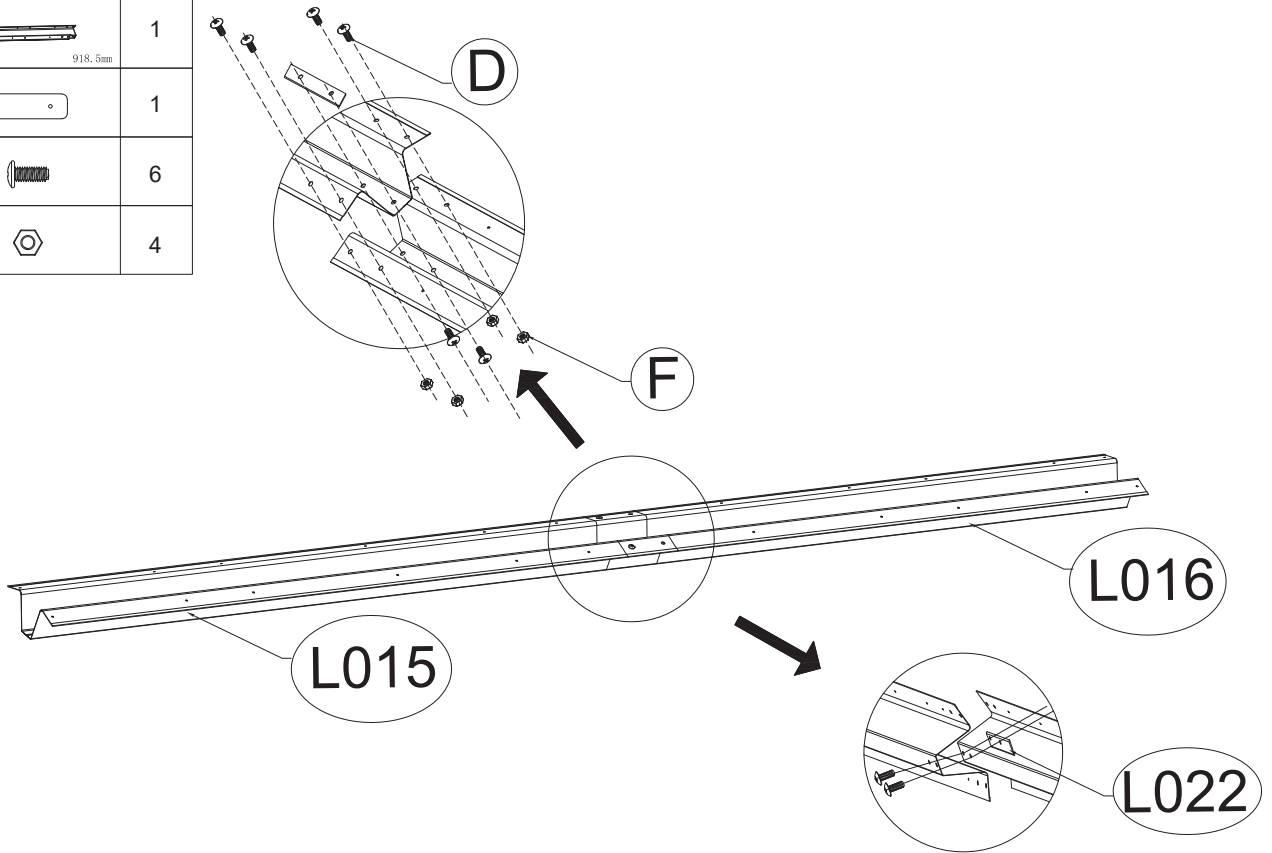
Step 22: Using plastic clips (L065).
Note: Orient the snap with the vertical side facing up.




Installation steps

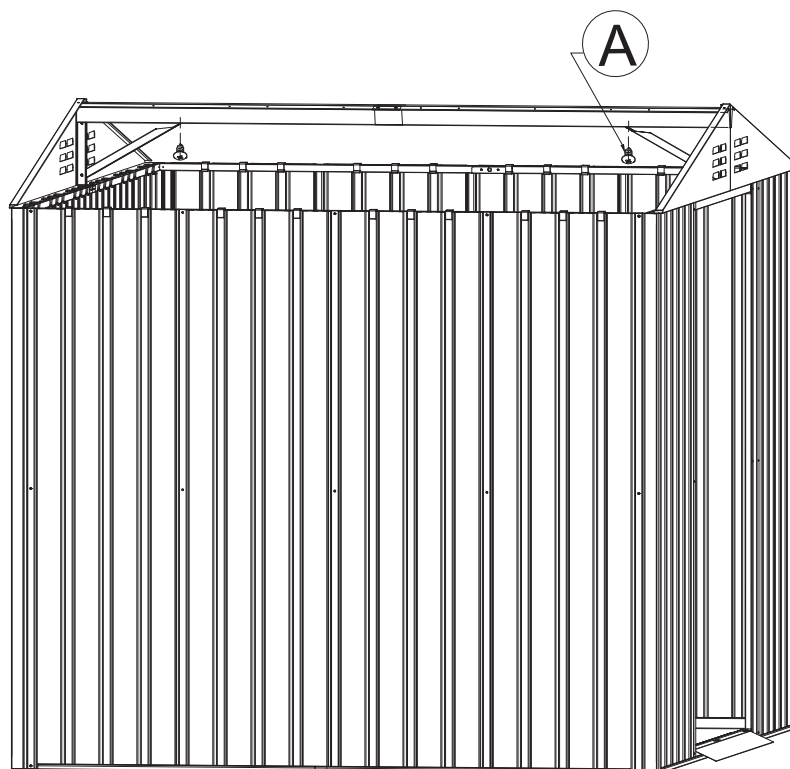
NO	PART	QTY
L015	 998.5mm	1
L016	 918.5mm	1
L022		1
D		6
F		4

STEP 23: Connect L015 and L016 with screws, align the empty spaces then screw L022 into L015 and L016.







NO	PART	QTY
A		2

STEP 24: Attach the assembled triangle to the main body and shrink it with screws(A).



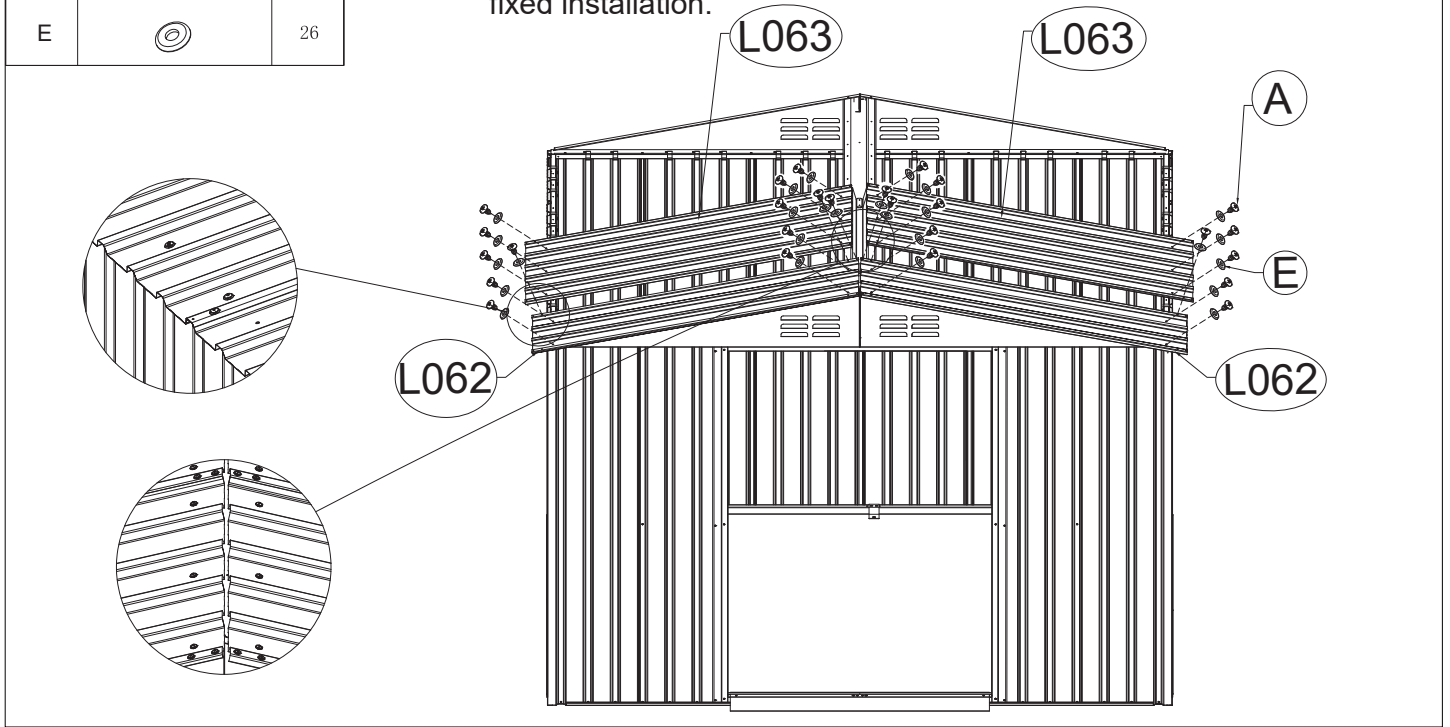
Installation steps






1

NO.	PART.	Qty.
L062	 1308mm	2
L063	 1308mm	2
A		26
E		26

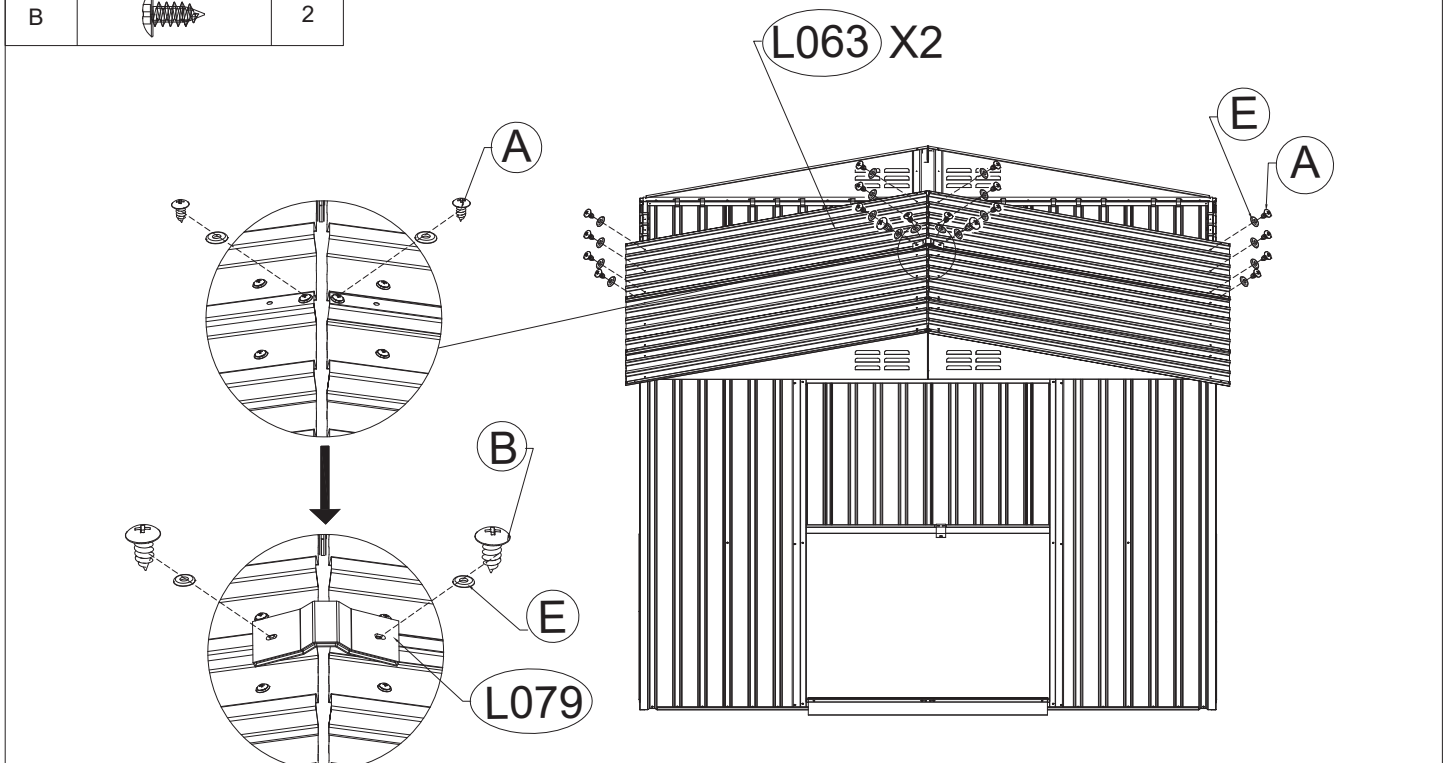
STEP 25: Attach the two L062 cover plates from the end near the door to the topbezel bar and support bar, with the holes lined up then mount with screws(A). Install the two L063 cover plates.

NOTE: Pay attention to the direction of the cover plate(L062), the "L" edge facing outward, the left and right sides of the outermost screw holes do not need to be installed, first put the gasket on the screws, and then fixed installation.






NO	PART	QTY	NO	PART	QTY
L063	 1308mm	2	E		18
A		16	L079		1
B		2			

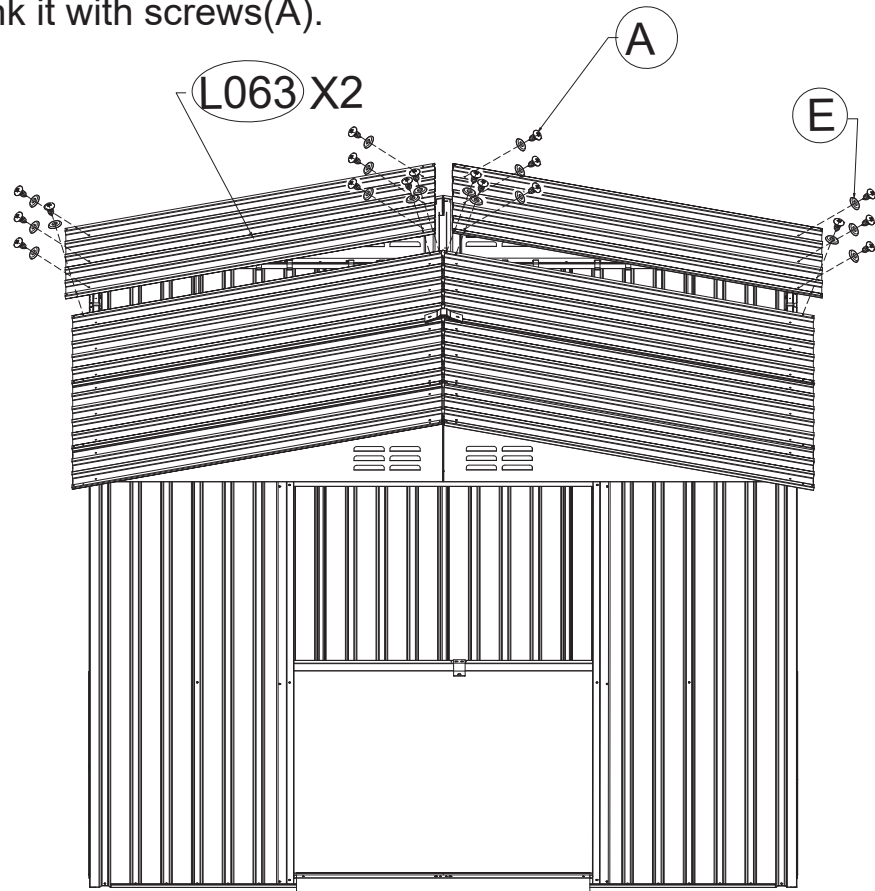
STEP 26: Install the two L063 cover plates.
Note: The outermost left and right screw holes are not required to be mounted, with the spacers first placed on the screws, then secure the installation. Fasten L079 to L063 with screws(B).








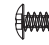




Installation steps

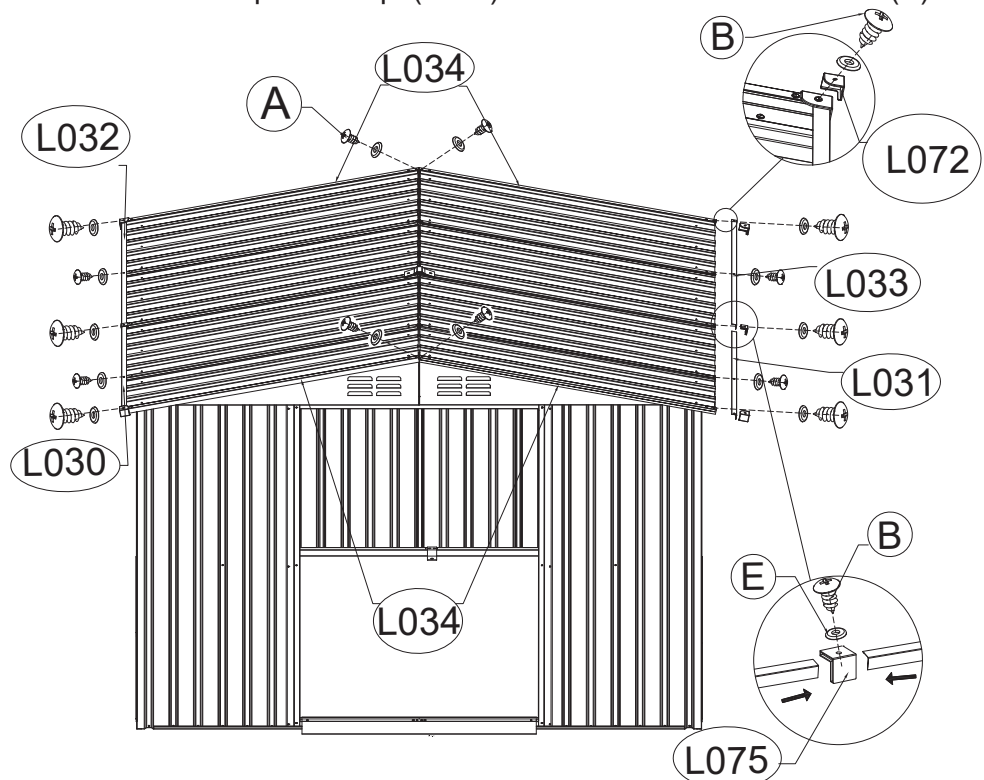
NO	PART	QTY
L063	 1308mm	2
A		18
E		18

STEP 27: Attach the assembled triangle to the main body and shrink it with screws(A).

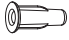


NO	PART	QTY
L030	 858mm	1
L031	 858mm	1
L032	 1072mm	1
L033	 1072mm	1
L034	 1316mm	4
L072		4
L075		2
A		8
B		6
E		14

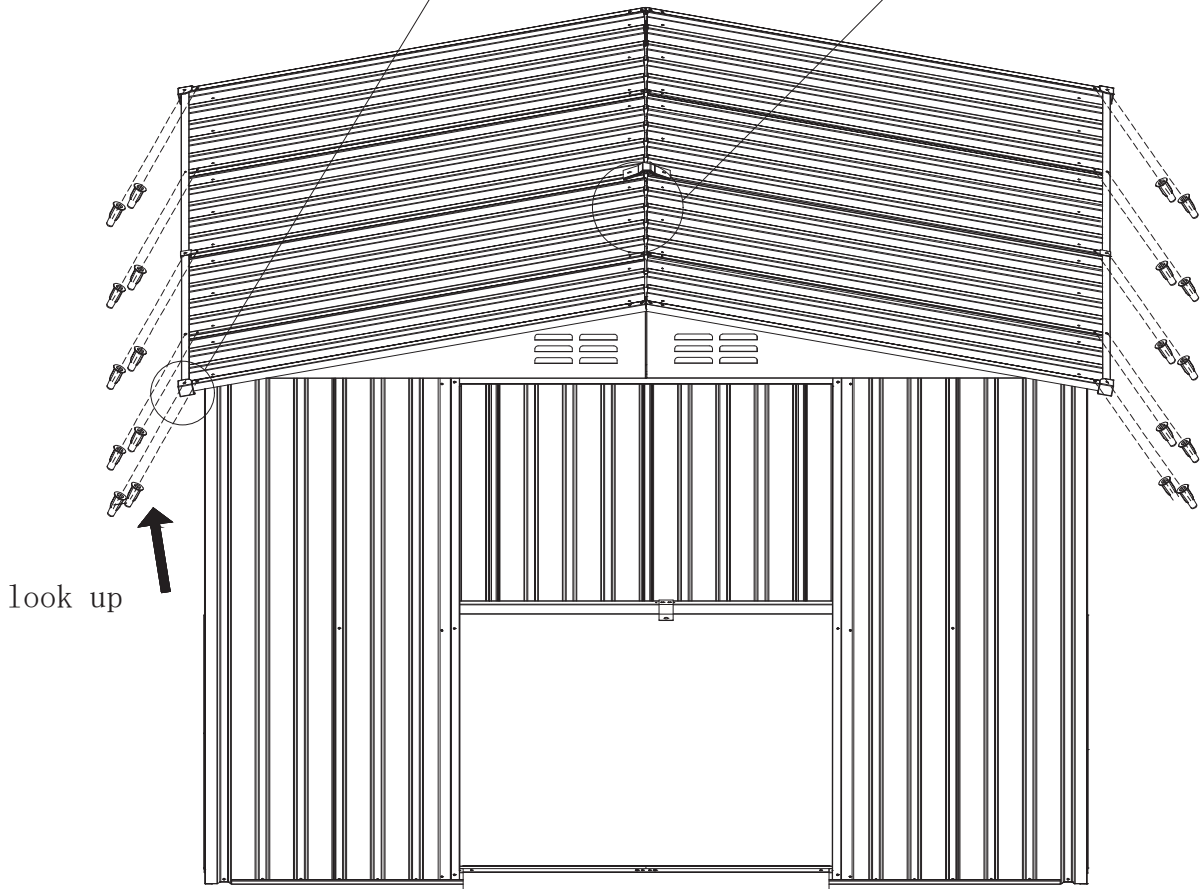
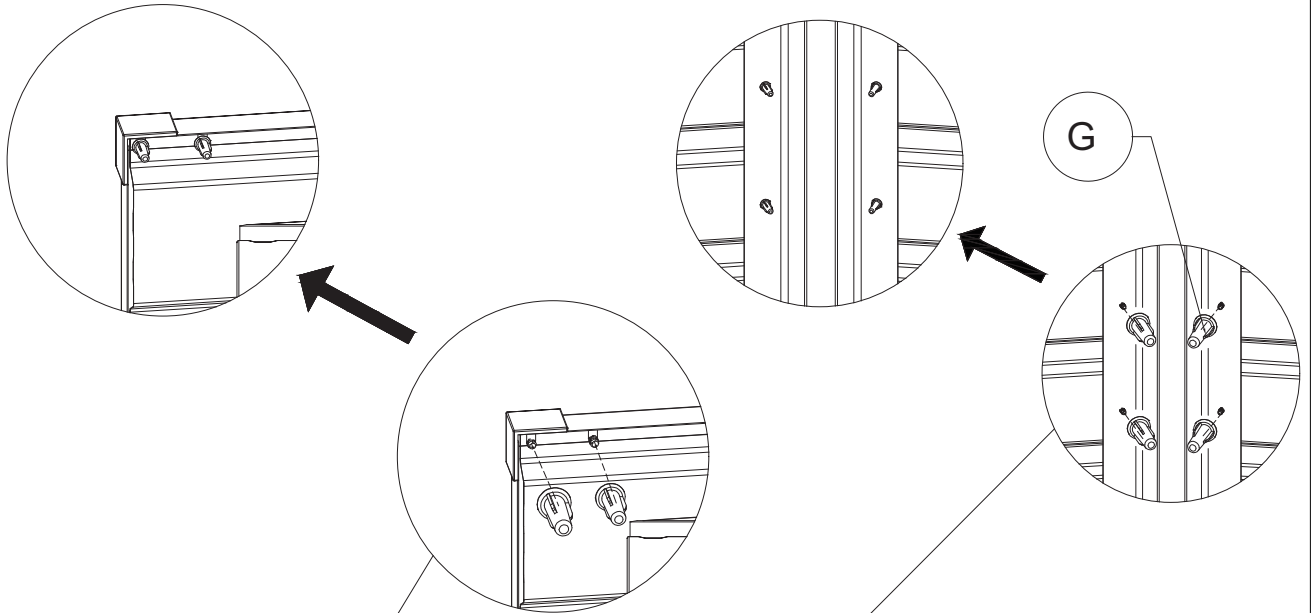
STEP 28: Connect L030, L032 with L075, secure with screws(B). Connect L031, L033 with L075, secure with screws(B). Attach the "L" shaped parts (L030,L032)(L031,L033) to the left and right edges of the cover, securing them with screws(A) in the center, and cover the joints at the four corners with plastic caps(L072) and secure them with screws(B).








Installation steps

NO	PART	QTY
G		44

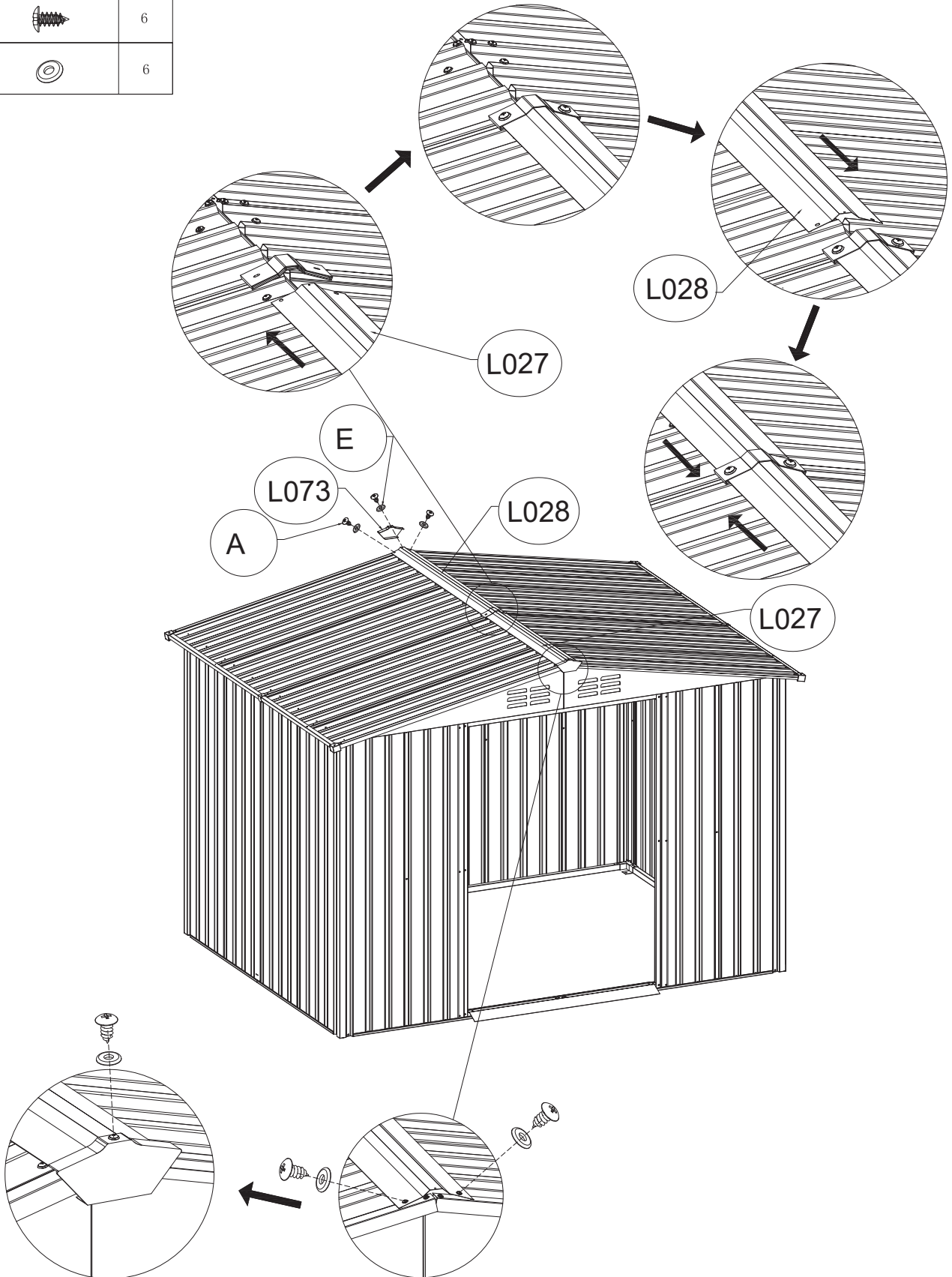
STEP 29: Attach the cap(G) to the self-tapping screw.



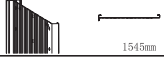







Installation steps

NO	PART	QTY
L027	 858mm	1
L028	 1072mm	1
L073		2
A		6
E		6

STEP 30: Plug the top long cover plate(L027,L028) in the mounted L079,then fixed to the top of the tool room through the centerholes,the ends are secured to the cover plate (L063) with plastictabs(L073)using screws (A).

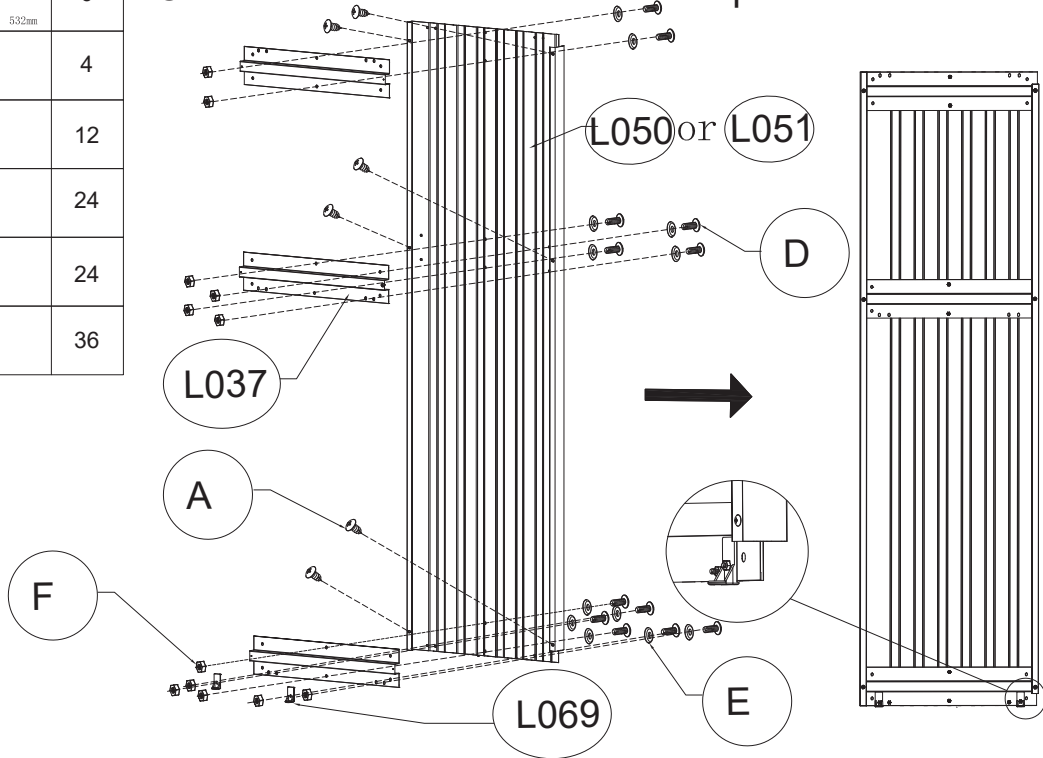







Installation steps

NO	PART	QTY
L050	 154.5mm	1
L051	 154.5mm	1
L037	 53.2mm	6
L069		4
A		12
D		24
F		24
E		36

STEP 31: Mount part 31 on the door panel (L050,L051), then mount the "L" shaped plastic part (L069) on the bottom of the door panel and secure it with screws (D) and nuts (F).

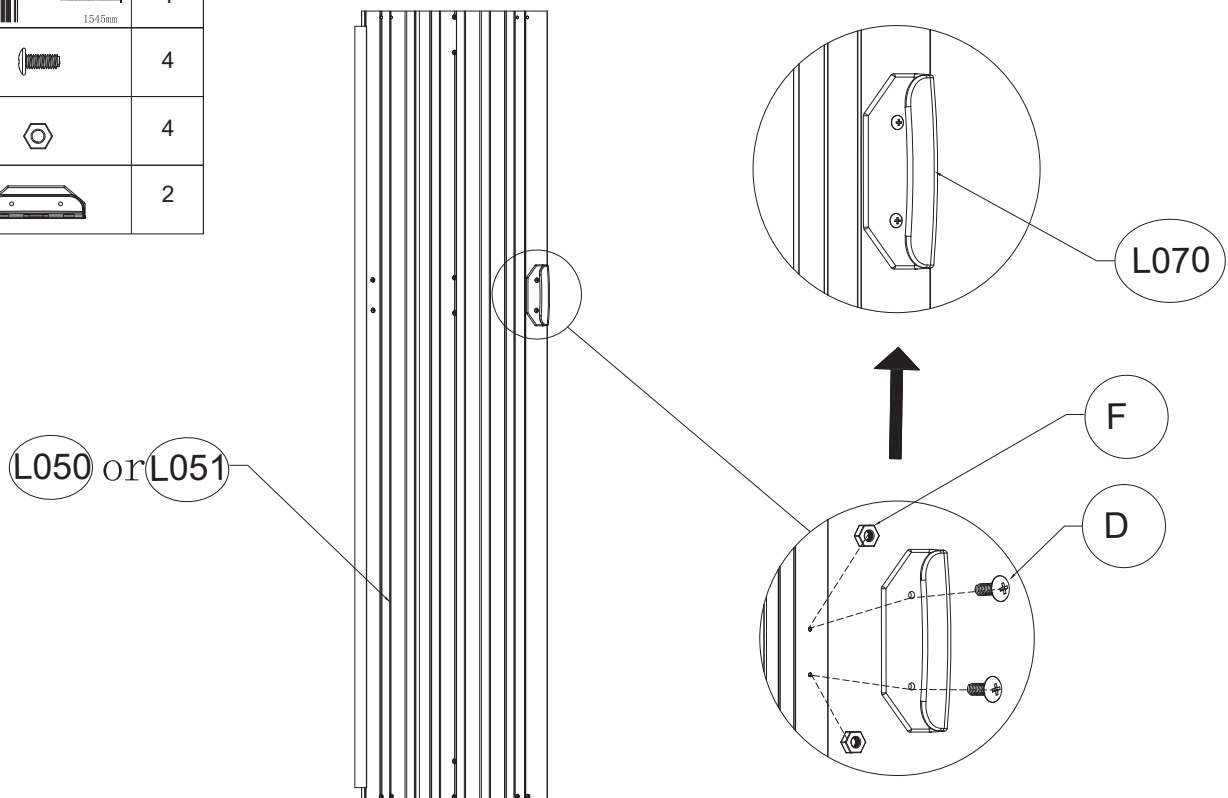
NOTE: Nut mounted inside the door panel.




NO	PART	QTY
L050	 154.5mm	1
L051	 154.5mm	1
D		4
F		4
L070		2

STEP 32: Fix the door handle (L070) to the door panel (L050, L051) with screws (D) and nuts (F).

NOTE: Pay attention to the direction of the door handle.

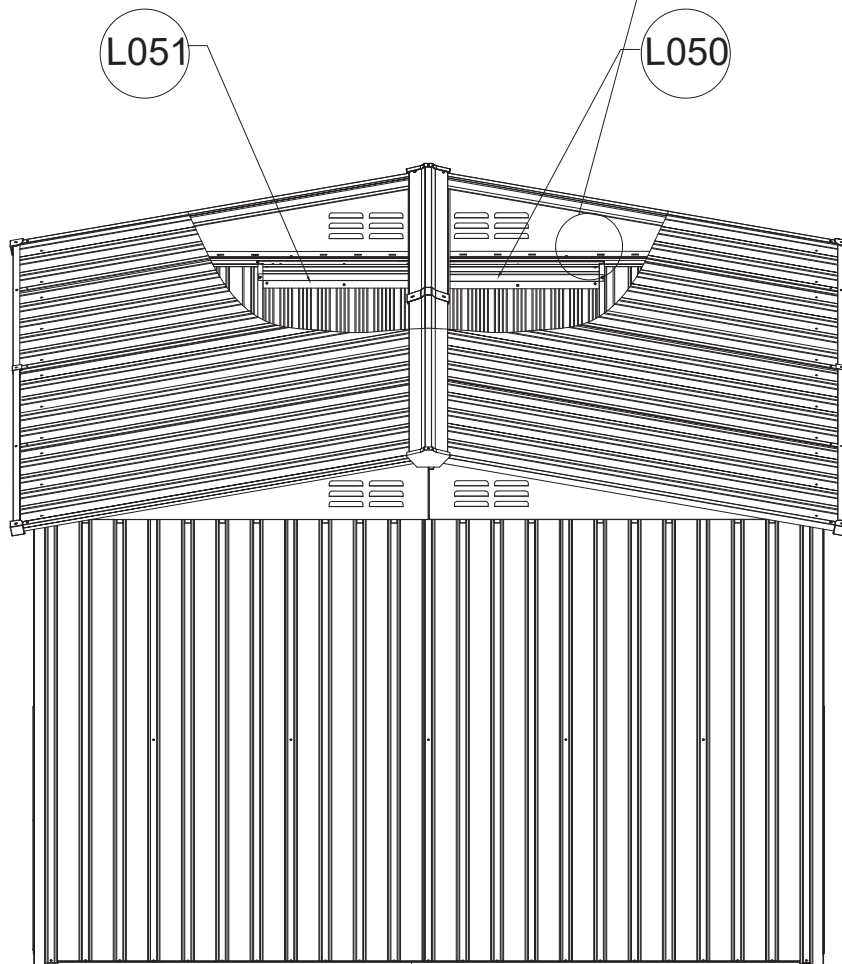
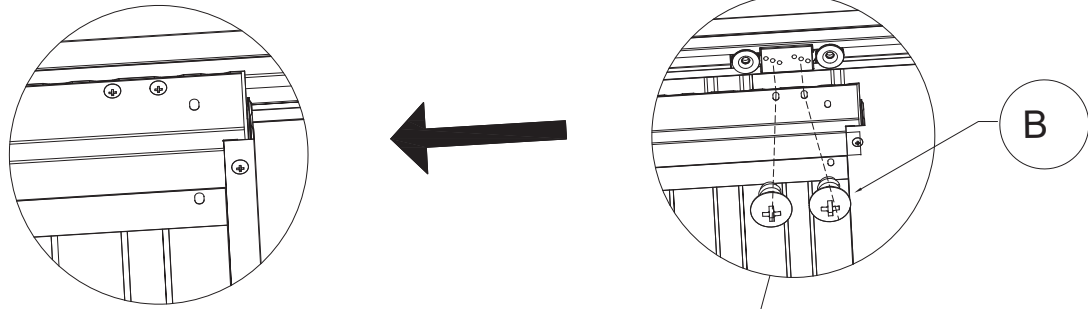


Installation steps


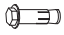
NO	PART	QTY
B		8

STEP 33: Insert the lower part of the door panel (L050,L051) into the slide groove at the bottom of the door frame and fix the upper part to the plastic pulley at the top of the door frame and lock it with screws(B).

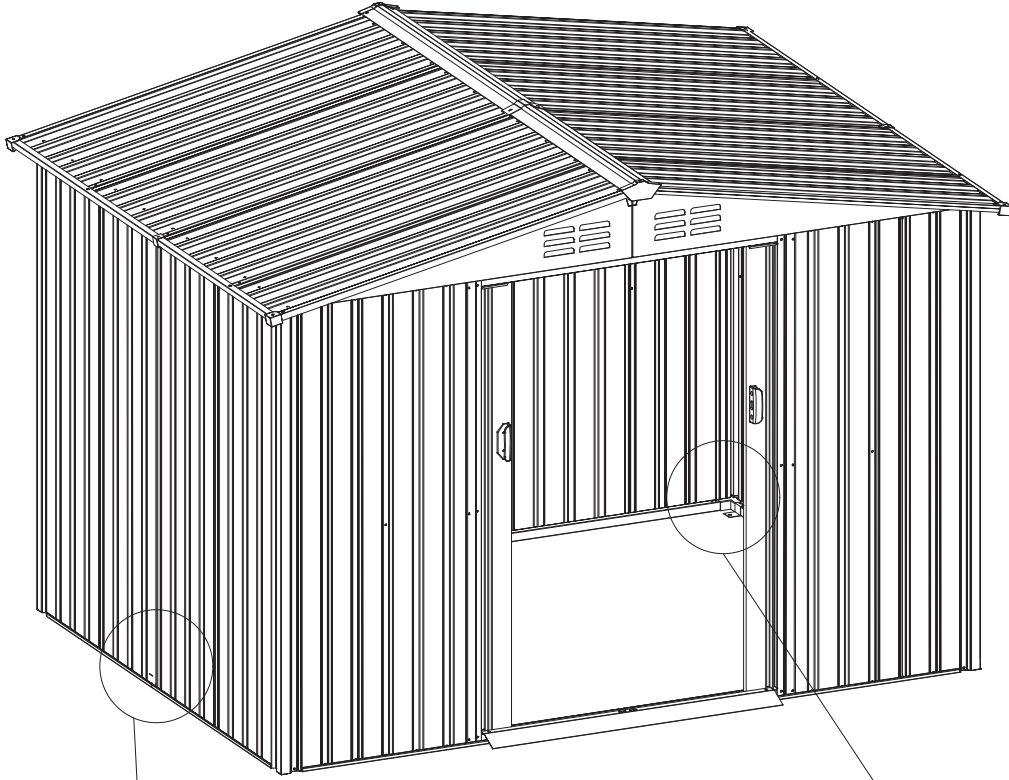
X4



Installation steps

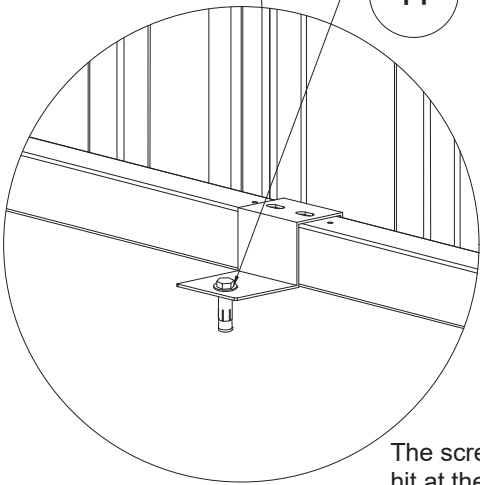
NO	PART	QTY
L081		4
H	 M6X50mm	7

STEP 34: Secure the tool shed to the floor by attaching floor spikes (H,L081) from the inside.



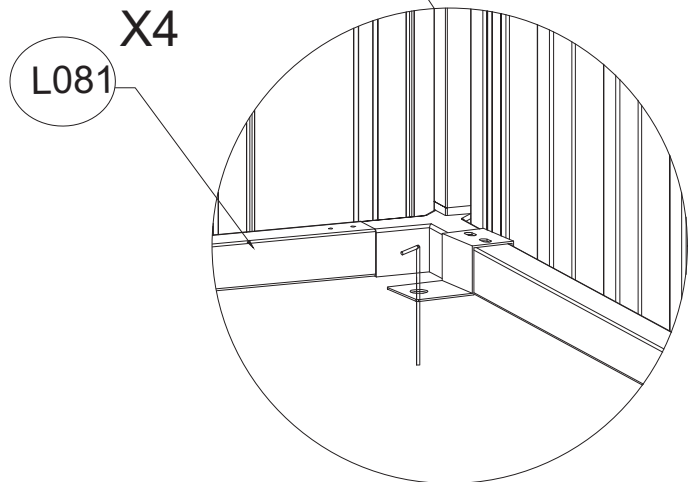
X7

H

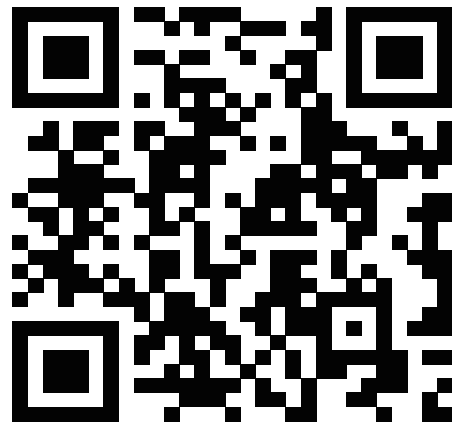


X4

L081



The screws of the M6X50 must be hit at the joint of the floor beam to make it stronger



www.alaulm.com

Make your life much better.