

TABLE OF CONTENTS

01	Important Safety Instructions	01	Tools Needed
----	-------------------------------	----	--------------

02	Parts List	04	Assembly
----	------------	----	----------

16	Warranty Information		
----	----------------------	--	--

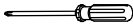
Thank you so much for choosing our product. If you encounter any questions during use, feel free to contact us. We will try our best to solve it.

IMPORTANT SAFETY INSTRUCTIONS

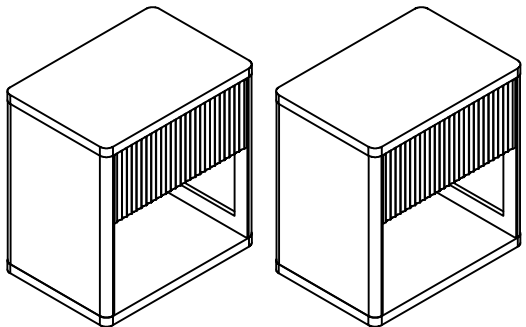
- Check if all the parts are complete before installation.
- Read through the instructions before installing the cabinet.
- Keep the small parts away from children to avoid the risk of swallowing.

TOOLS NEEDED

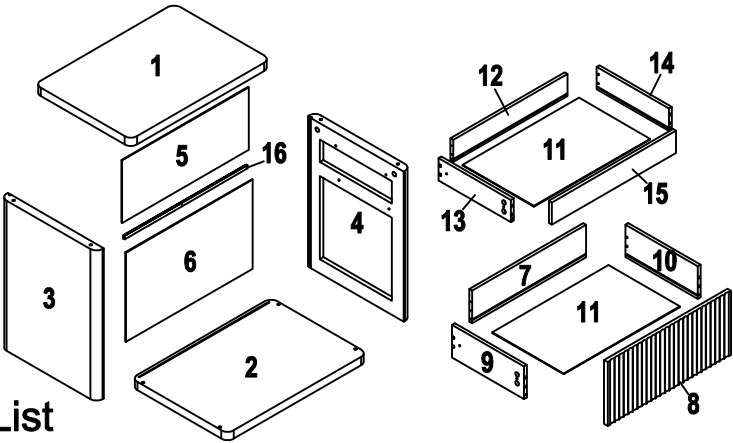
Screws Driver -1PC



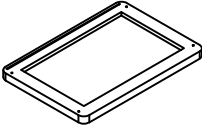
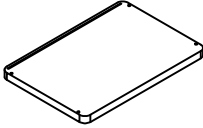
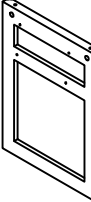
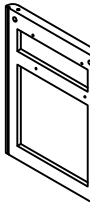
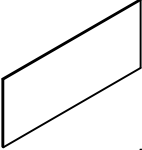
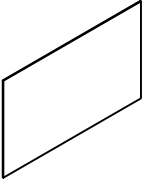
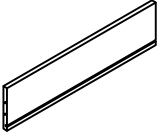
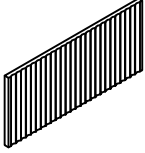
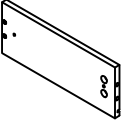
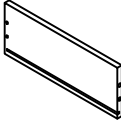
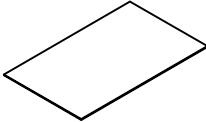
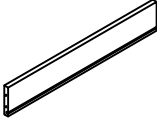
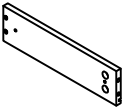
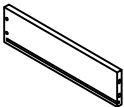
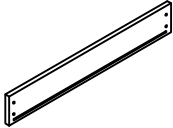

(Not included)



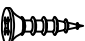
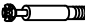







X2

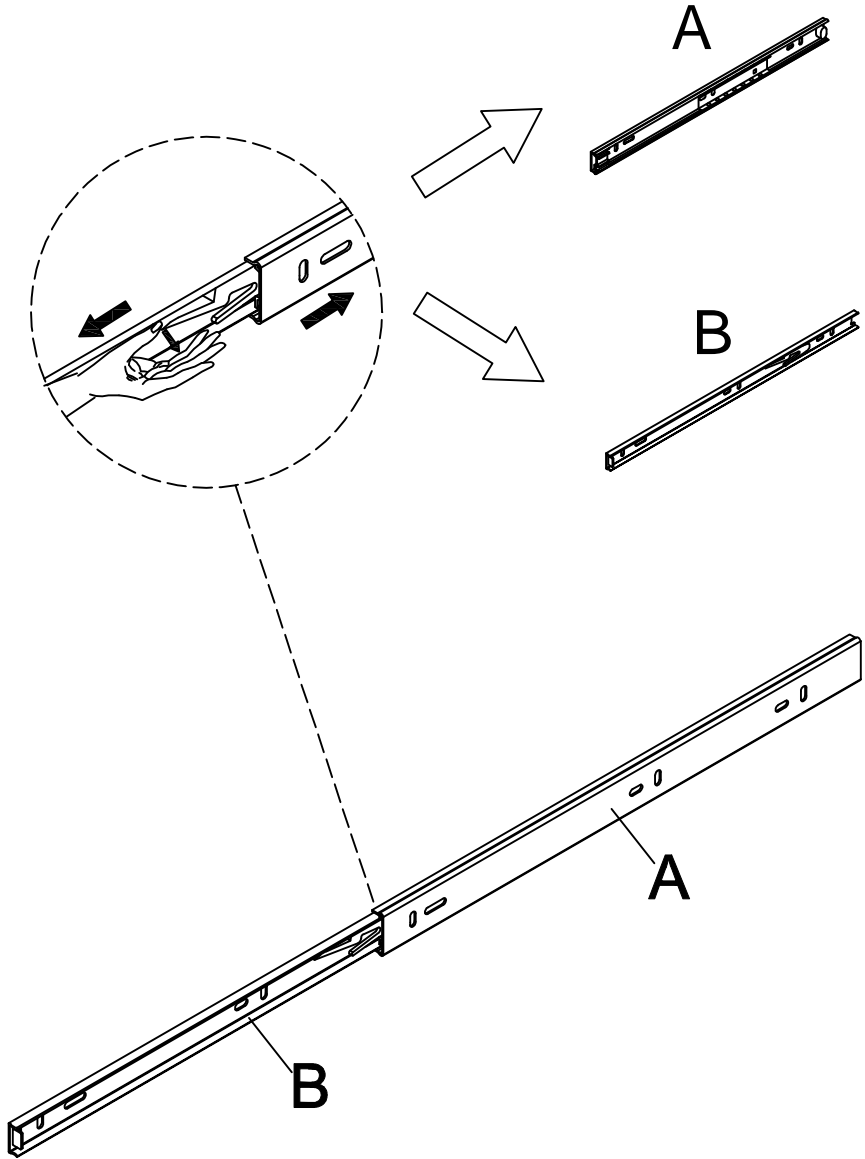


Packing List

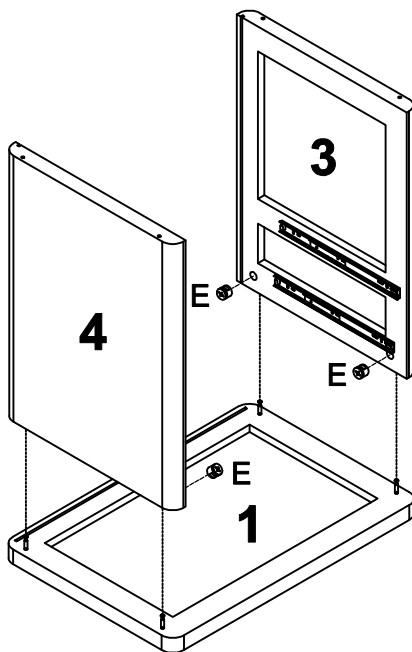
 x2	 x2	 x2	 x2
 x2	 x2	 x2	 x2
 x2	 x2	 x4	 x2
 x2	 x2	 x2	 510mm x2

A  x8	B  x8	C M3.5x12  x48	D  x24	E  x24
F M7x50  x8	G  x8	H M3.5x40  x16	I  x16	

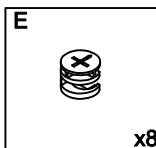
Step 1



Step 4

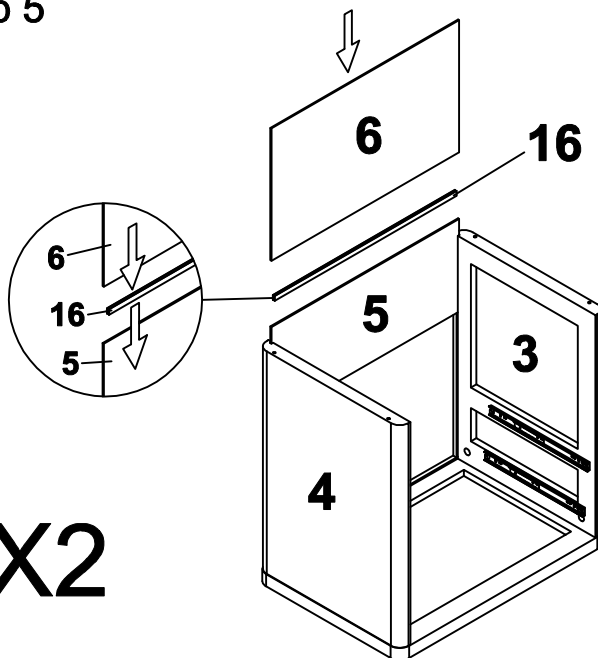


X2



x8

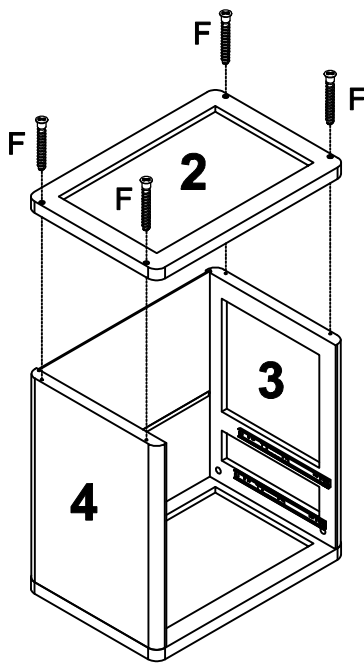
Step 5



X2

Step 6

X2



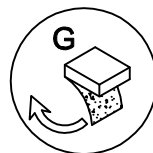
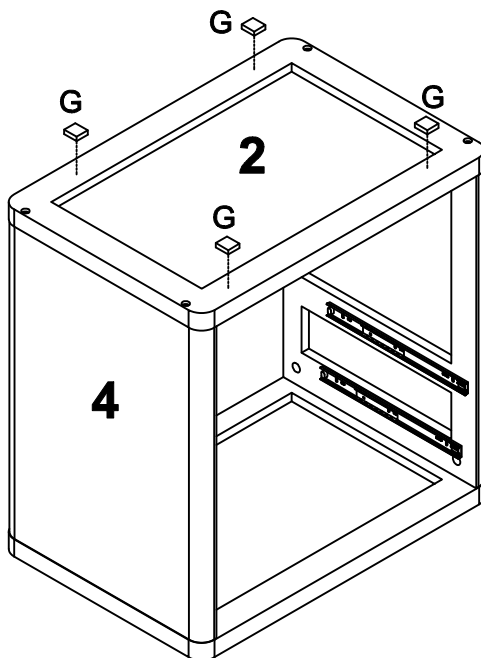
F M7x50



x8

Step 7

X2

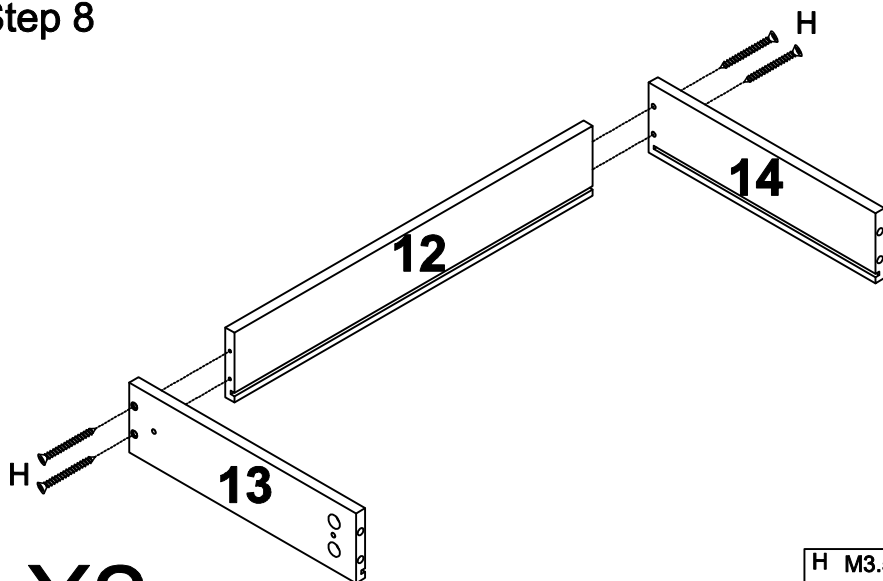


G



x8

Step 8



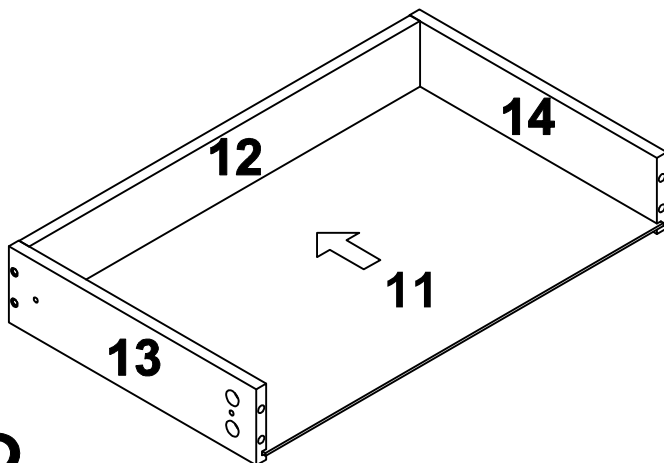
X2

H M3.5x40



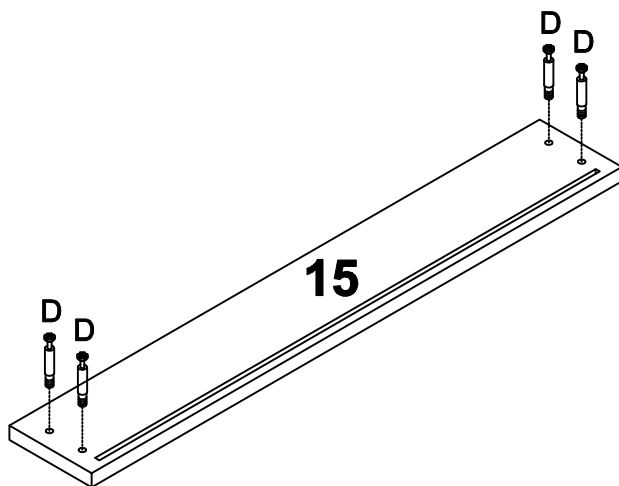
x8

Step 9

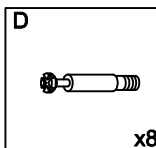


X2

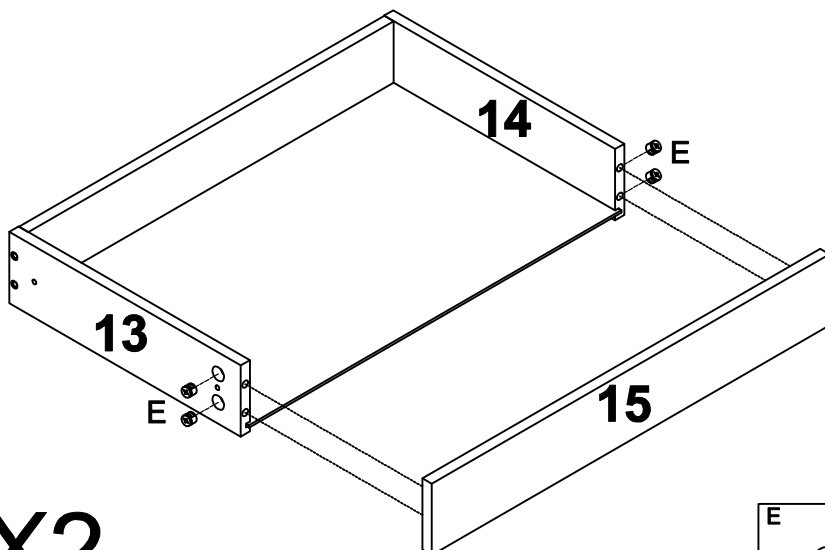
Step 10



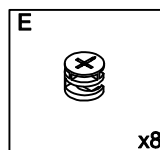
X2



Step 11

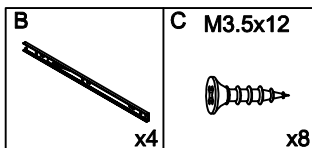
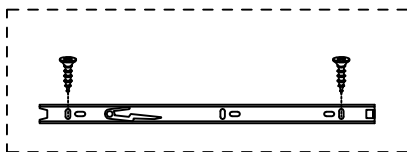
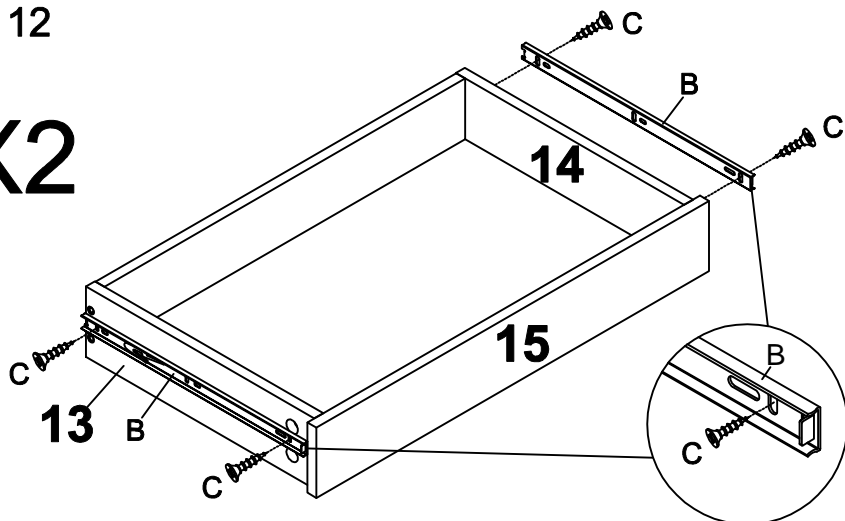


X2



Step 12

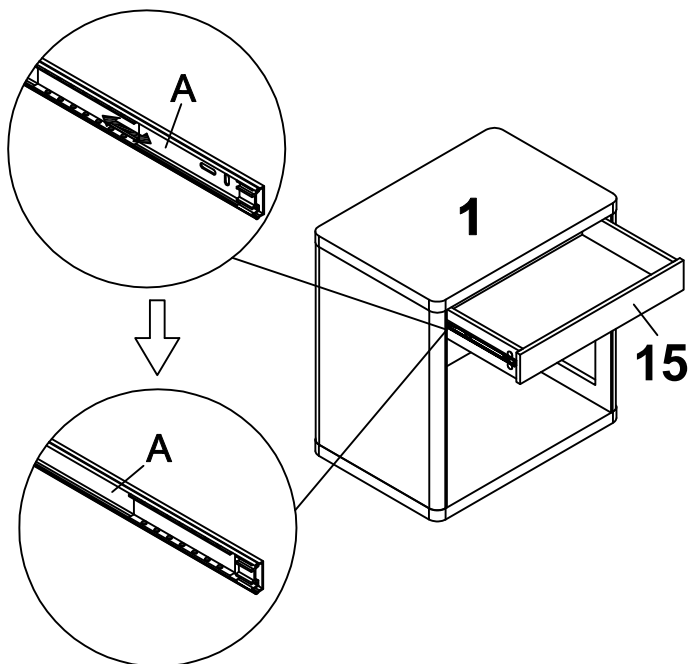
X2



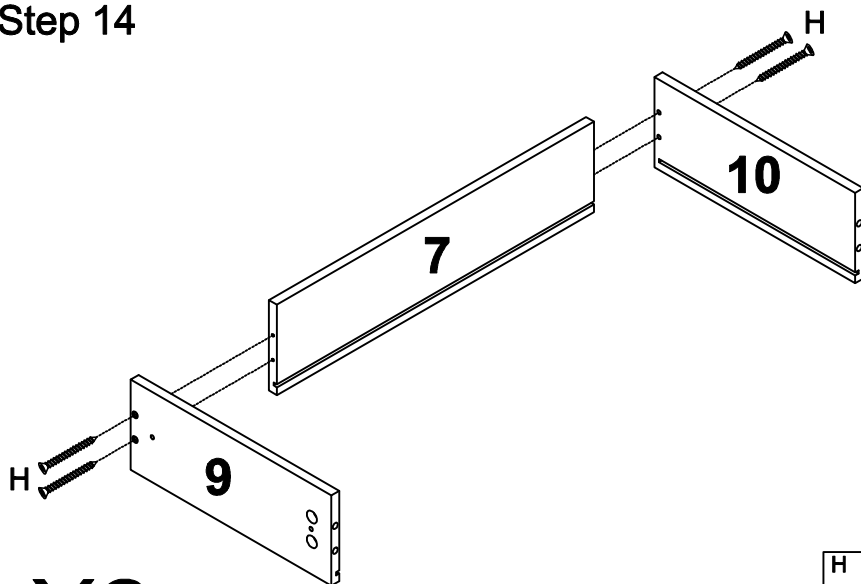
Step 13

Please move the rail balls to the front of sliding rail A to make sure it can be fit to sliding rail B on the drawer.

X2



Step 14



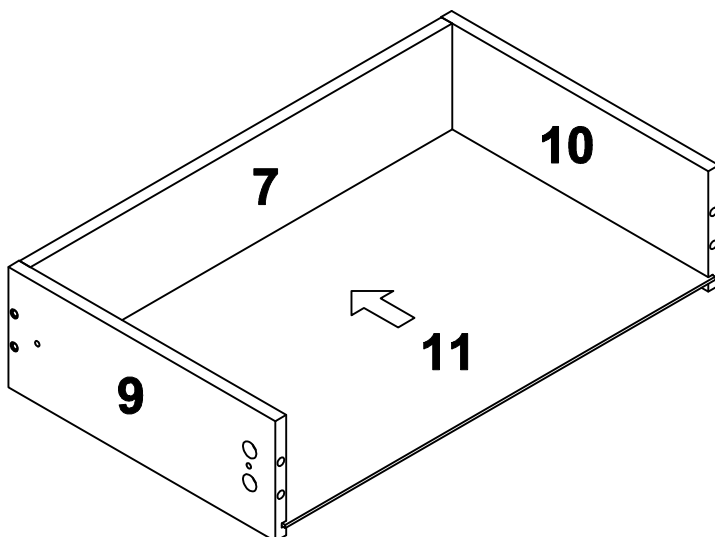
X2

H M3.5x40



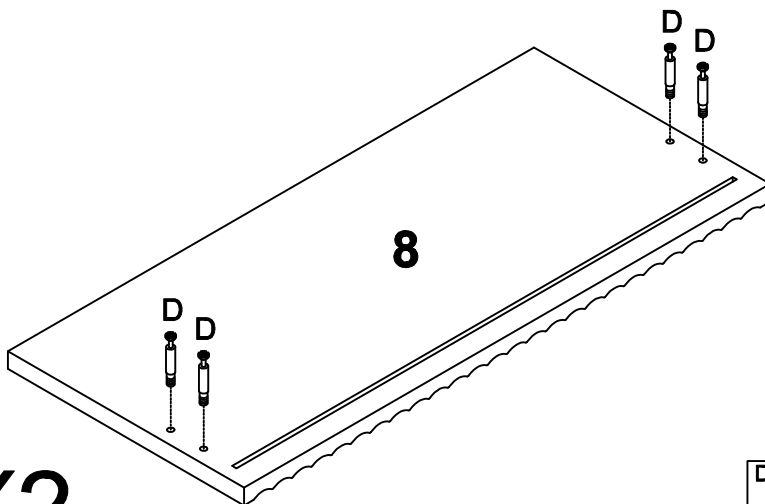
x8

Step 15

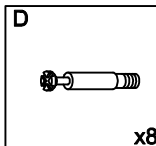


X2

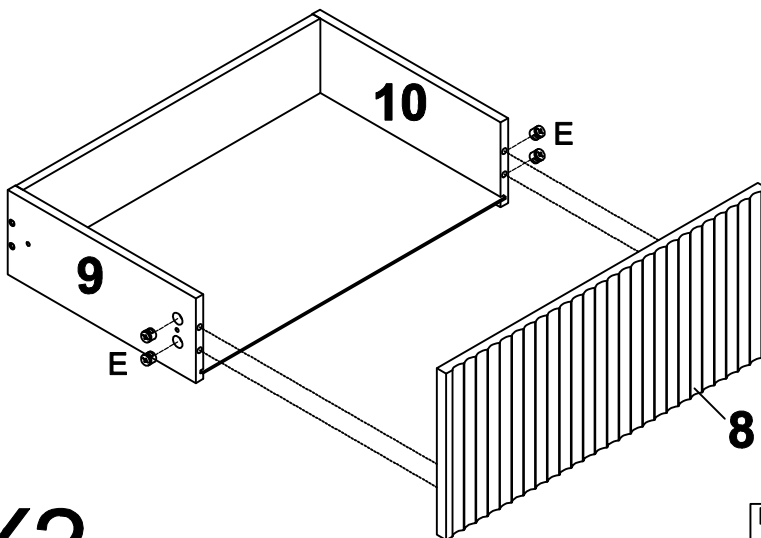
Step 16



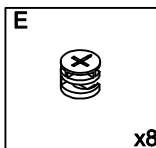
X2



Step 17

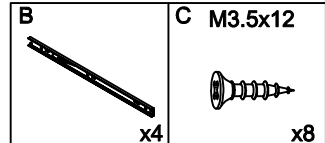
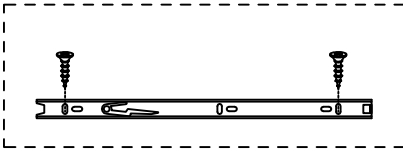
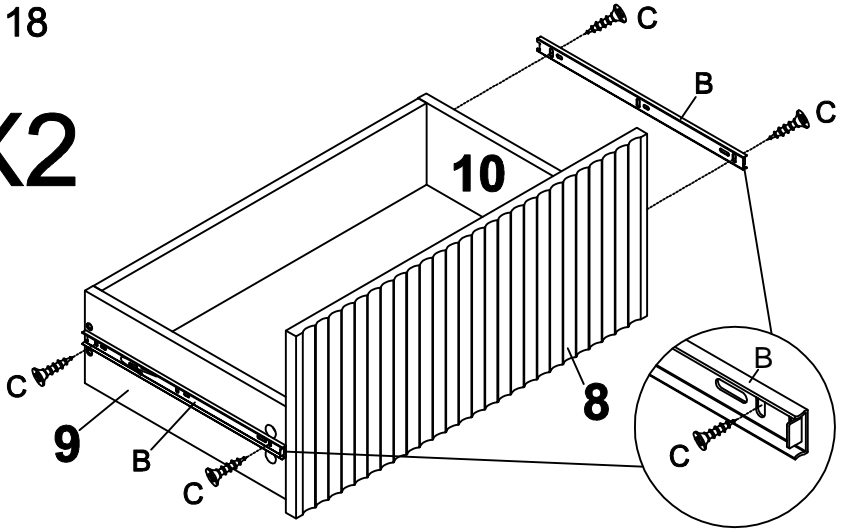


X2



Step 18

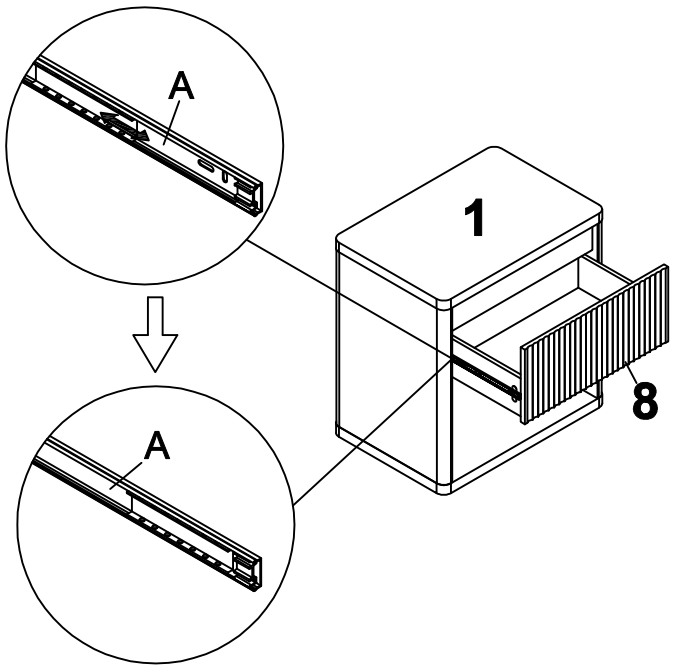
X2



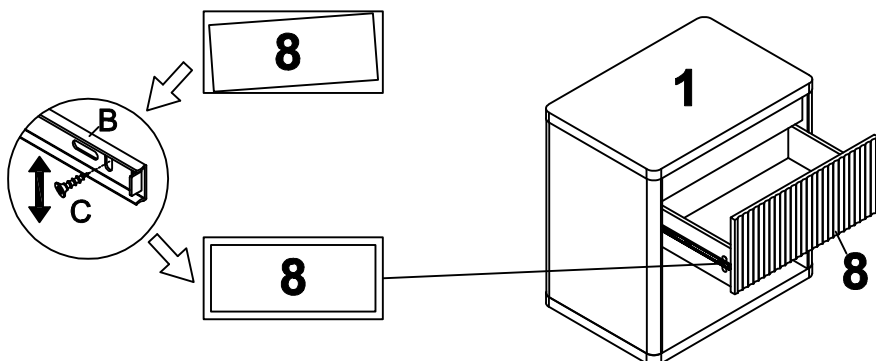
Step 19

Please move the rail balls to the front of sliding rail A to make sure it can be fit to sliding rail B on the drawer.

X2



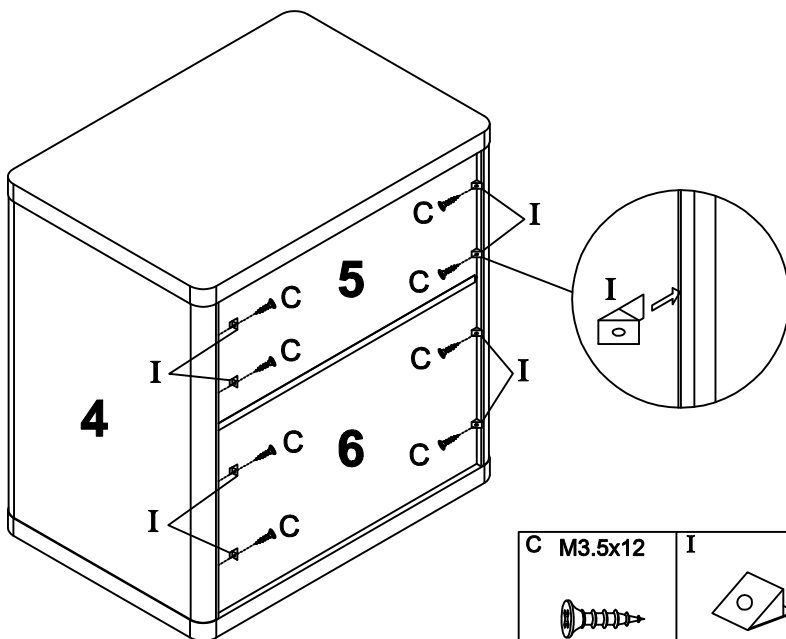
Step 20



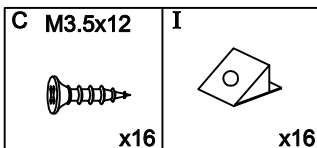
You can adjust the sliding rail's hole to make sure the drawer is on level when assemble C screws.

X2

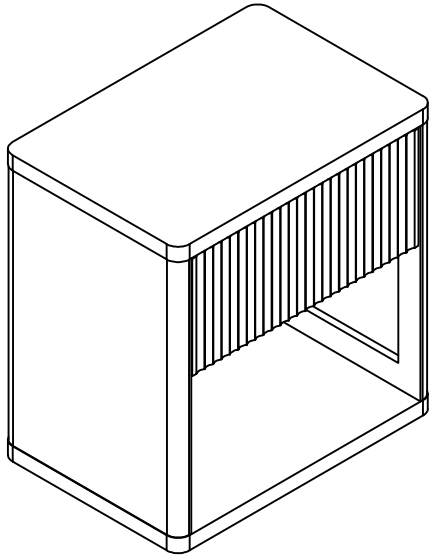
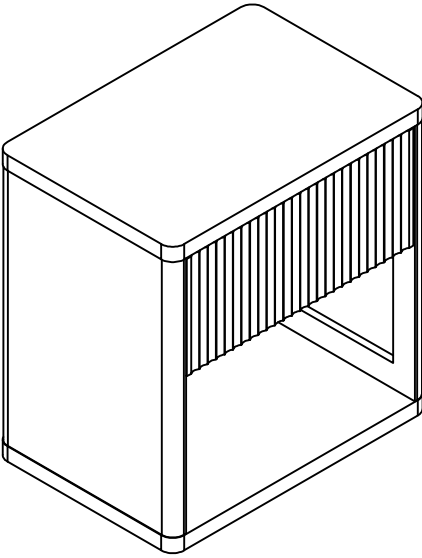
Step 21



X2



Finish !!!



WARRANTY INFORMATION

- Do not expose the surfaces to direct sunlight or to extreme environmental conditions.
- Clean the surfaces preferable with a clean damp cloth, then dry with a clean towel.
- Do not use solvents or abrasive materials to clean the unit. If you decide to use a cleaning agent, test first on an area hidden from view.
- Replacement parts might be available to you at no charge, with an original proof of purchase and where a defect has arisen, wholly or substantially, as a result of faulty manufacturing, parts or workmanship during the Warranty Period.
- The warranty does not extend to regular wear and tear, nor the manufacturer assumes liability for damages or consequences due to accidents, incorrect assembly, negligence, improper use, modifications, or not heeding the above warnings.
- Thank you so much for your support! We hope you enjoy your purchase. If there is any damage or missing accessories, please feel free to contact us for free replacement or refund.

Thank you !