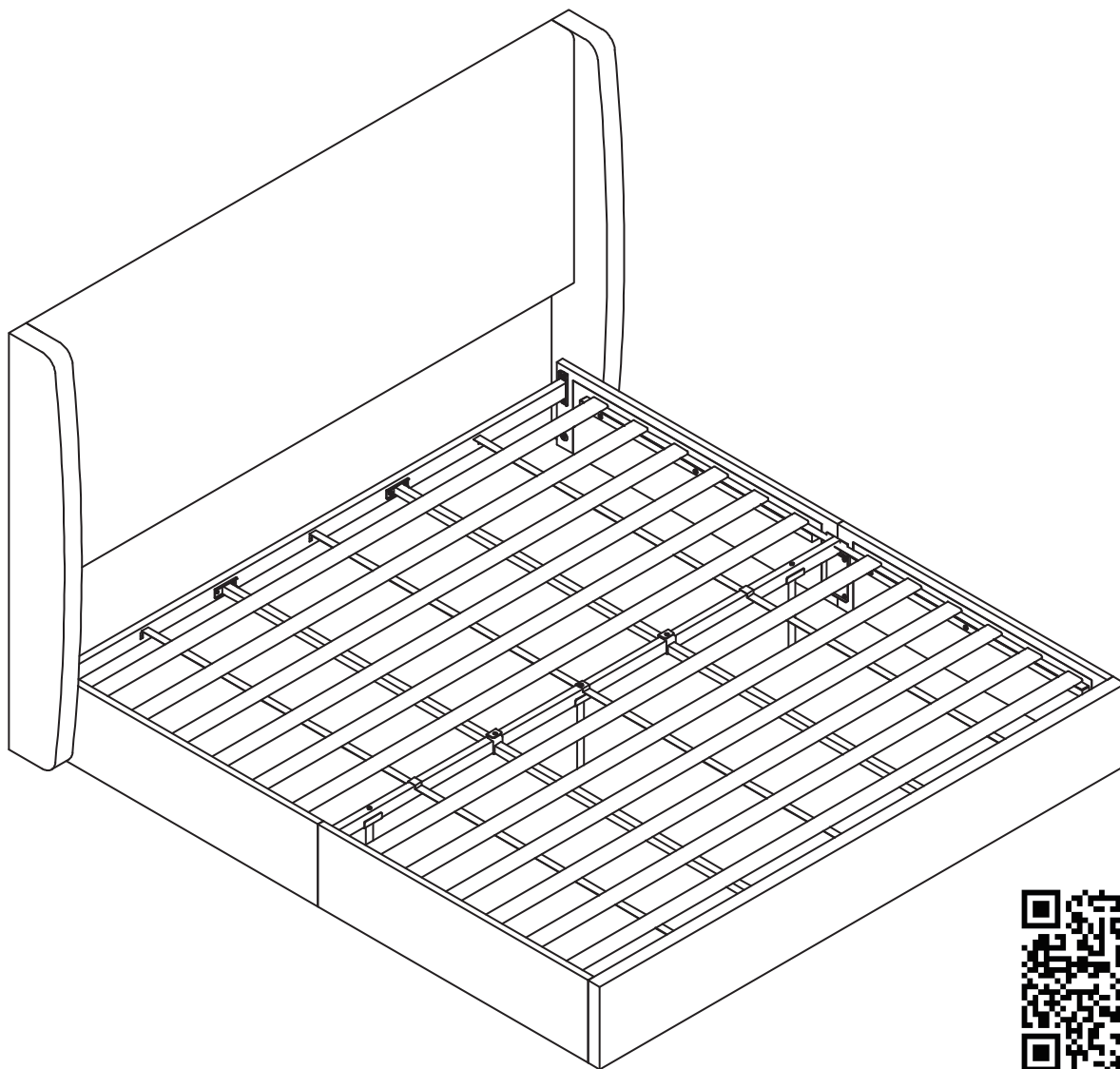
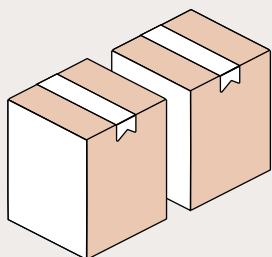


Assembly Instructions

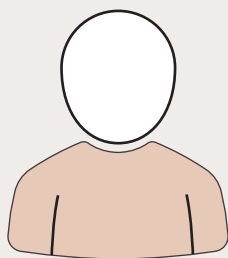
Recci Upholstered Bed Frame



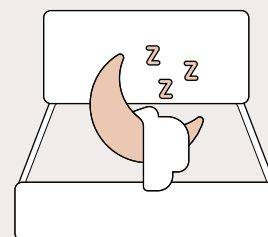
Scan to Watch
Assembly Video



1 Open the box and take out all components.

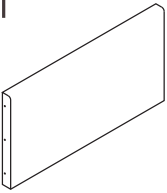


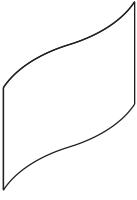
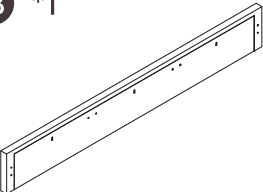
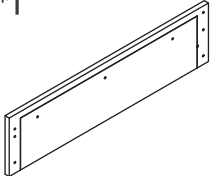
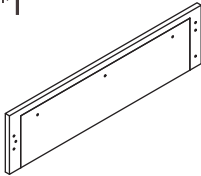
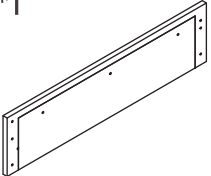
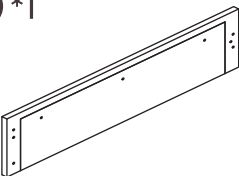
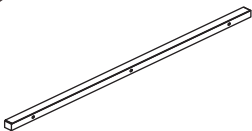
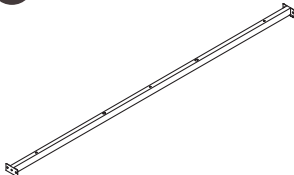
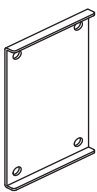
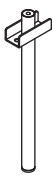
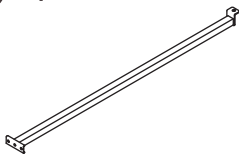
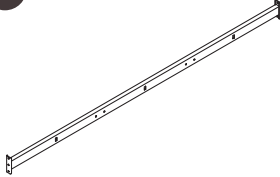
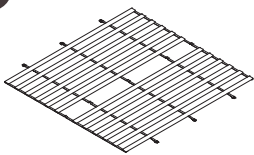










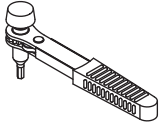


2 Recommended for 1–2 people to assemble with ease.



3 Assembly complete—relax and enjoy sweet dreams.

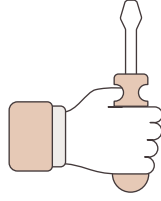
Parts & Hardware List

<p>A *1</p>  <p>Headboard</p>	<p>A1 *1</p>  <p>Side Board</p>	<p>A2 *1</p>  <p>Side Board</p>	<p>N *1</p>  <p>Back Cover</p>
<p>B *1</p>  <p>Footboard</p>	<p>C *1</p>  <p>Side Panel</p>	<p>D *1</p>  <p>Side Panel</p>	<p>E *1</p>  <p>Side Panel</p>
<p>F *1</p>  <p>Side Panel</p>	<p>G *4</p>  <p>Side Rail</p>	<p>H *1</p>  <p>Center Rail</p>	<p>I *2</p>  <p>Connector</p>
<p>J *3</p>  <p>Support Leg</p>	<p>K *4</p>  <p>Center Rail</p>	<p>L *1</p>  <p>End Rail</p>	<p>P6 *1</p>  <p>Wooden Slats</p>
<p>S *1</p>  <p>Bracket</p>	<p>T *1</p>  <p>Bracket</p>	<p>Z *4</p>  <p>Foot</p>	
<p>① *43</p>  <p>1/4" X 3/4" Bolt</p>	<p>② *18</p>  <p>1/4" X 19/16" Bolt</p>	<p>③ *2</p>  <p>5/16" X 1 3/16" Bolt</p>	<p>④ *14</p>  <p>1/4" Metal Washer</p>
<p>⑤ *8</p>  <p>1/4" Spring Washer</p>	<p>⑥ *8</p>  <p>1/4" X 2" Bolt</p>	<p>⑦ *1</p>  <p>4mm Allen Key</p>	<p>⑧ *1</p>  <p>4mm Ratchet Wrench</p>

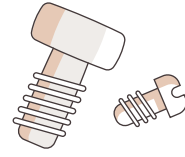
Help Center



Inquiry



Assembly issue

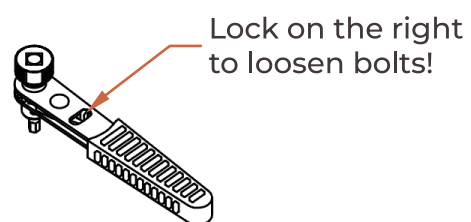


Missing parts

- Before assembling the furniture, please read the instructions on how to use ratchet, it will help you to assemble the furniture quickly.
- Please don't throw away the ratchet in case you may need to use in future.
- If you encounter any difficulties during assembly, please contact us.

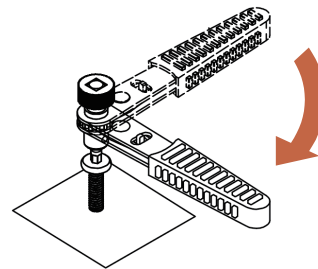
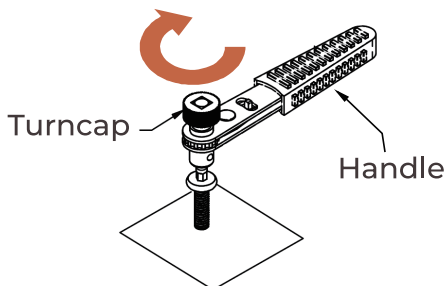
How To Use The Ratchet

1. Before assembling the furniture, please adjust the lock tool as needed.



2. Tighten or loosen the bolts

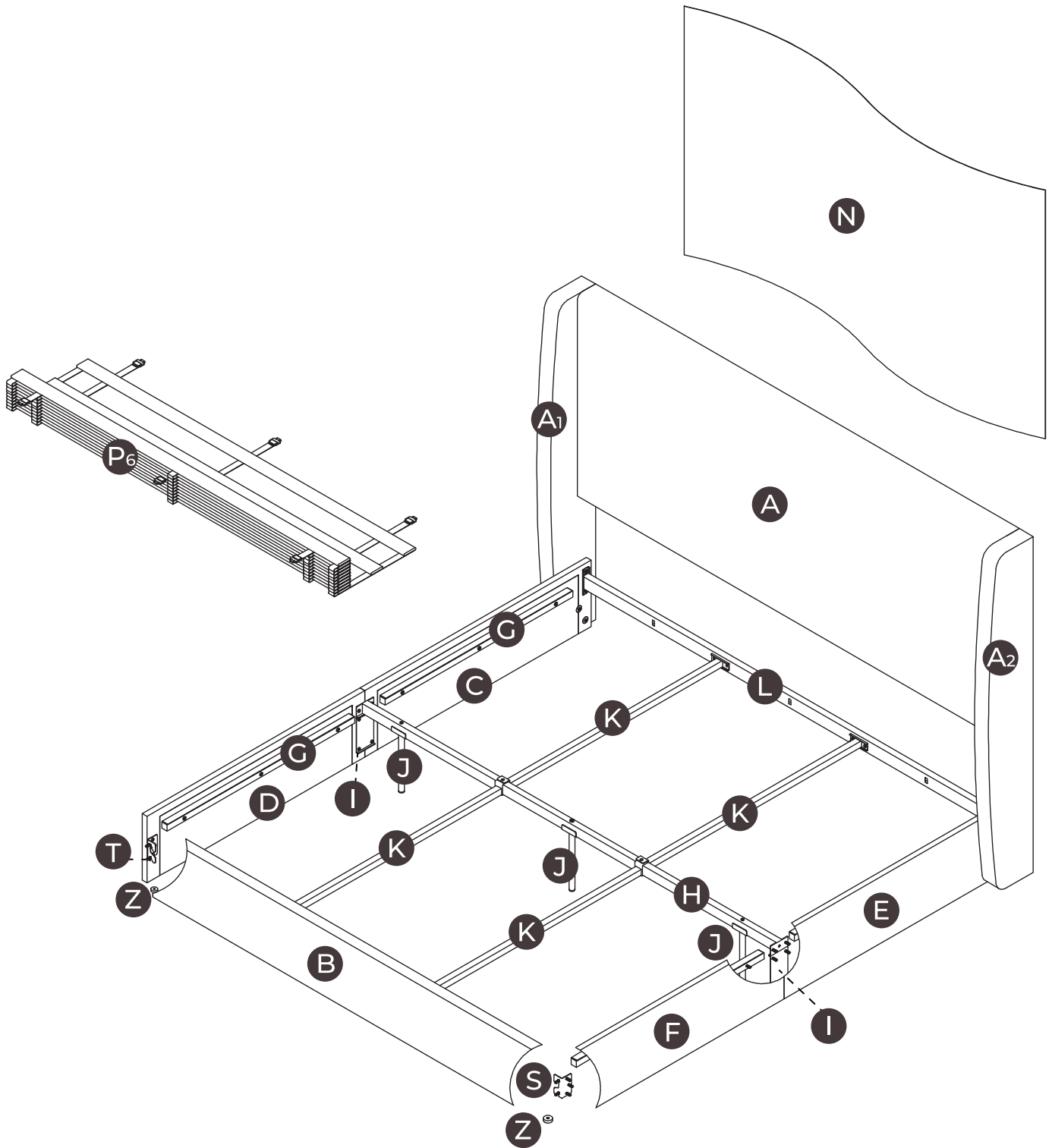
- **Tighten bolts:** Locate the turncap (picture) and rotate it clockwise to screw the bolt quickly, until it cannot be rotated any more. Then start rotating with the handle clockwise to finalize tightening the bolts.
- **Loosen bolts:** Rotate the handle counterclockwise to loosen the bolt. Then, to completely remove the bolts, continue rotating with the turncap in the same direction.



Disclaimer

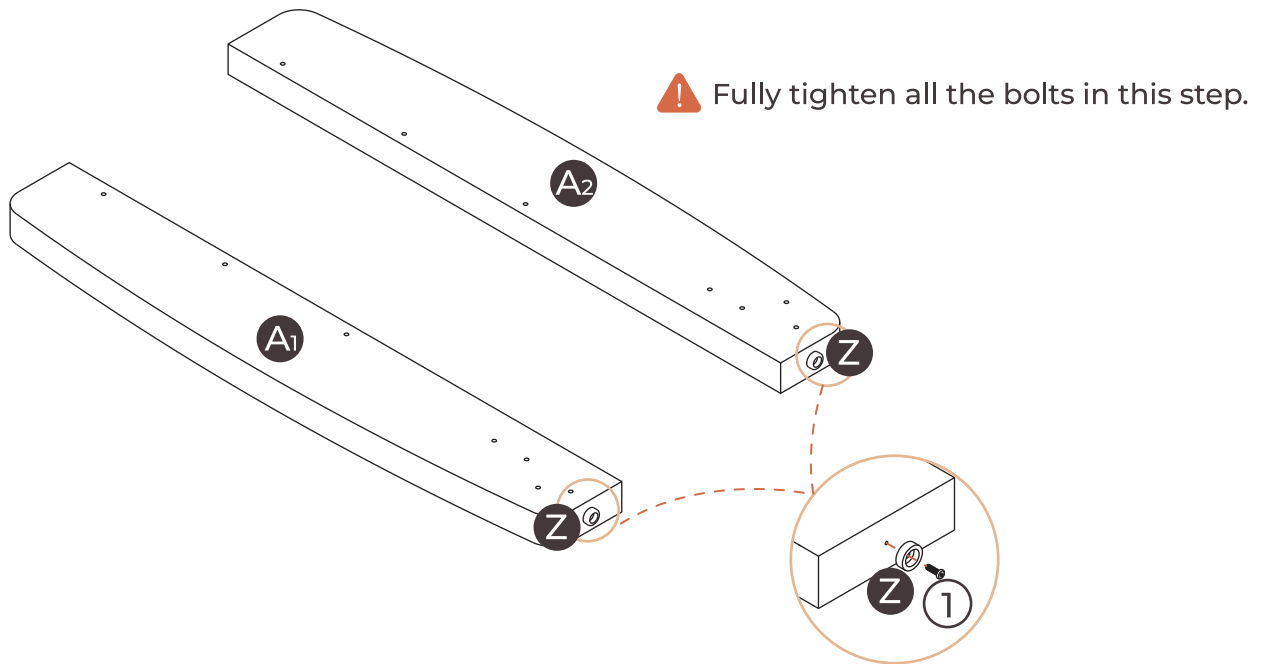
Manufacturer and seller expressly disclaim any and all liability for personal injury, property damage or loss, whether direct, indirect, or incidental, resulting from the incorrect attachment, improper use, inadequate maintenance, unapproved modification, or neglect of this product.

Exploded View



Installation Steps

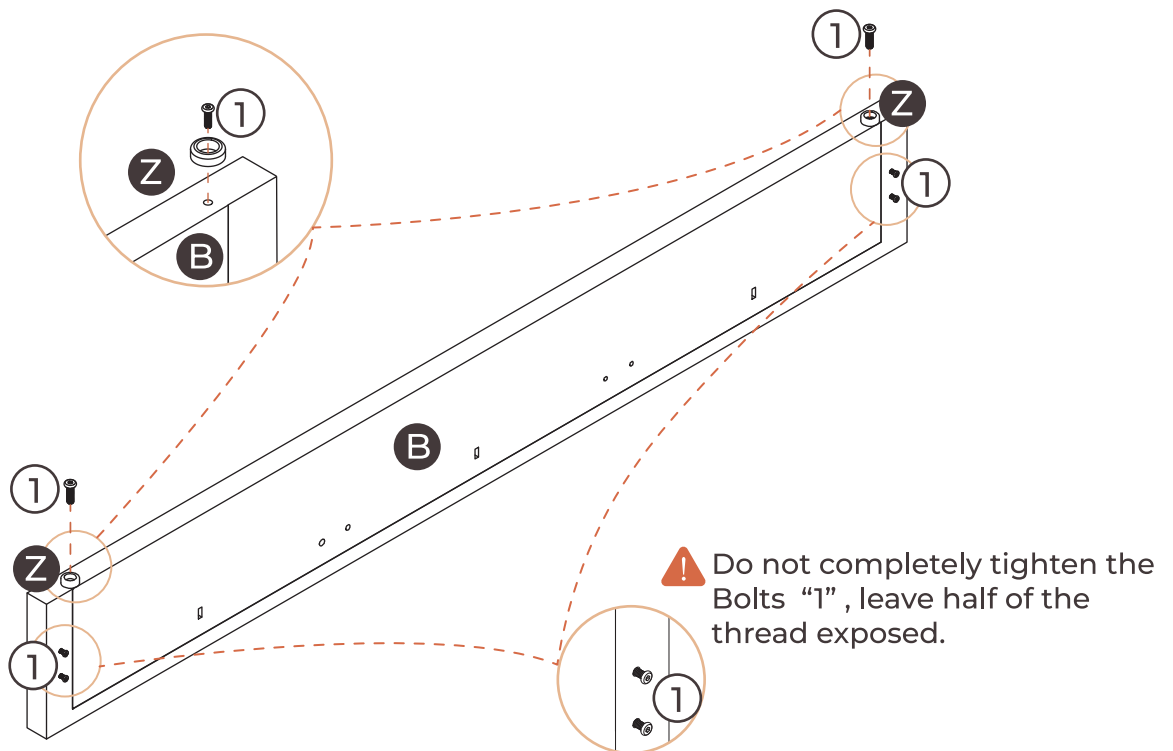
Step 1



Attach Z x 2 to A1 and A2 with ①

① X 2PCS

Step 2

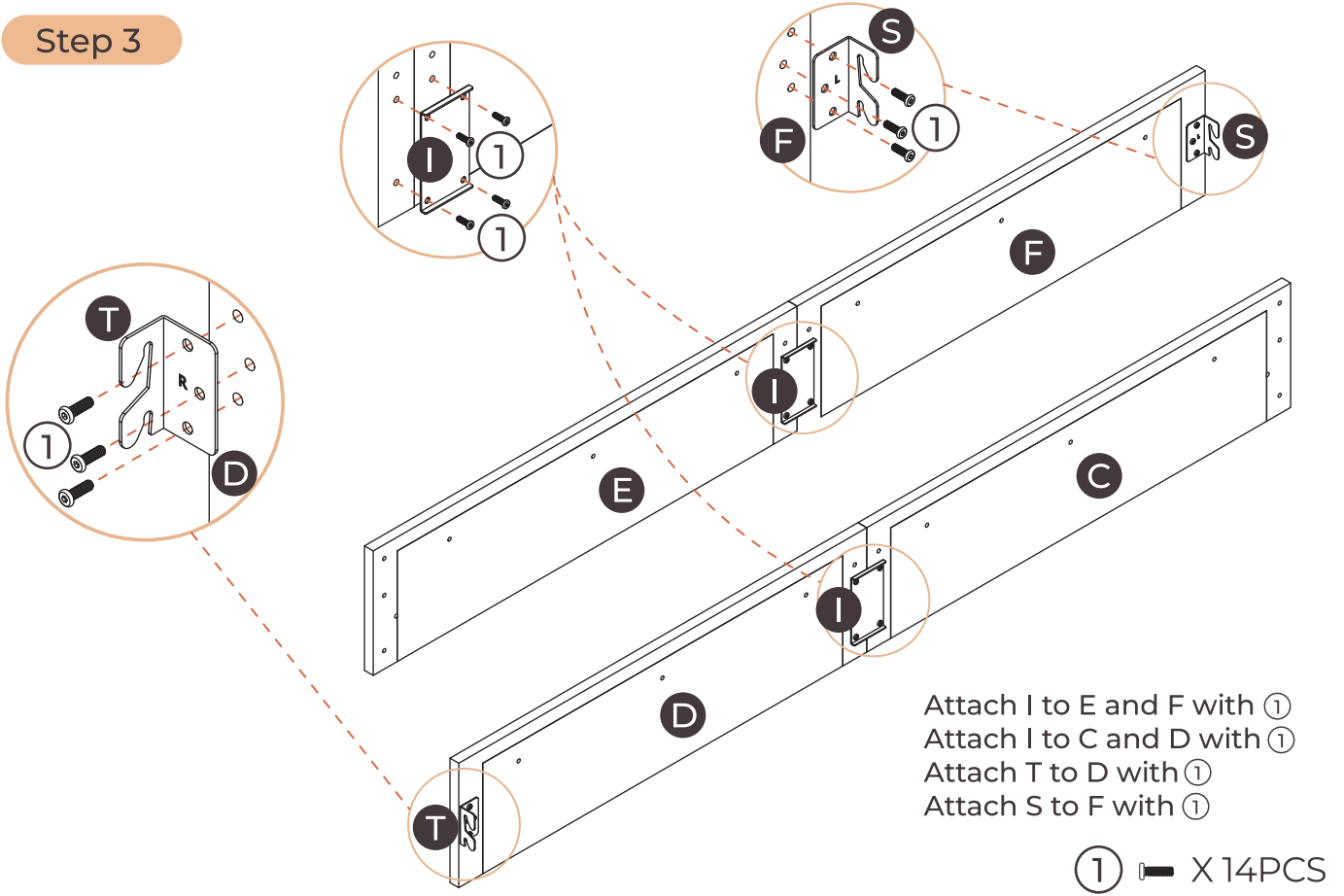


Attach Z x 2 to B with ①
Screw ① into B as illustrated, making sure to leave half of the threads exposed.

① X 6PCS

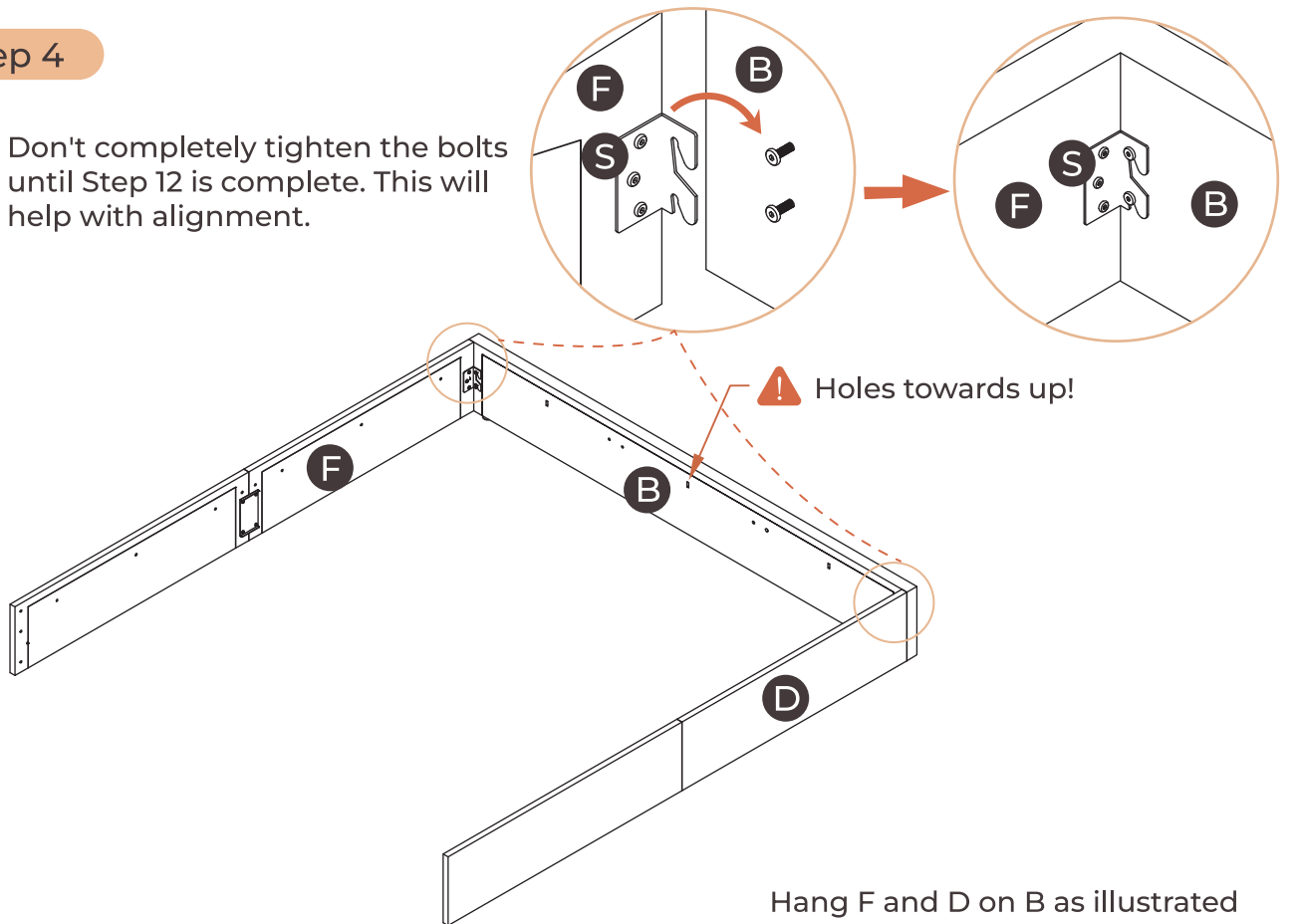
Installation Steps

Step 3



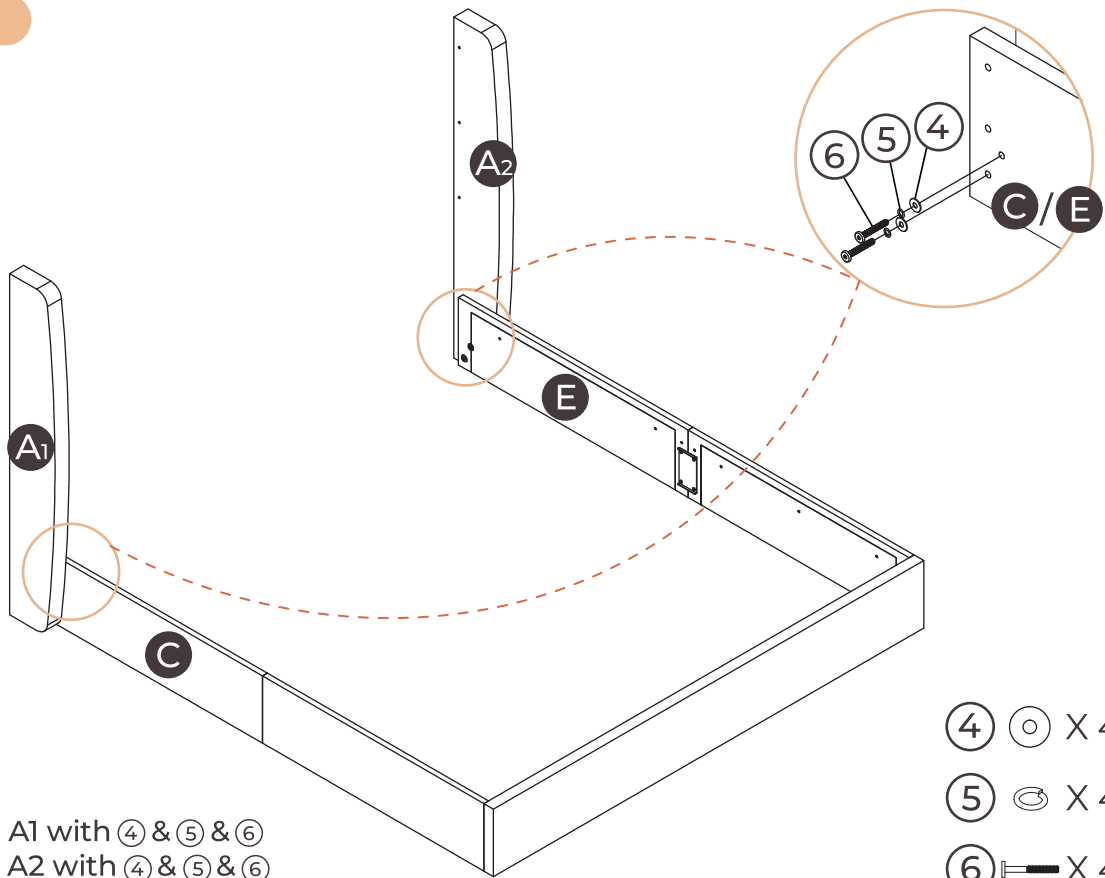
Step 4

Don't completely tighten the bolts until Step 12 is complete. This will help with alignment.

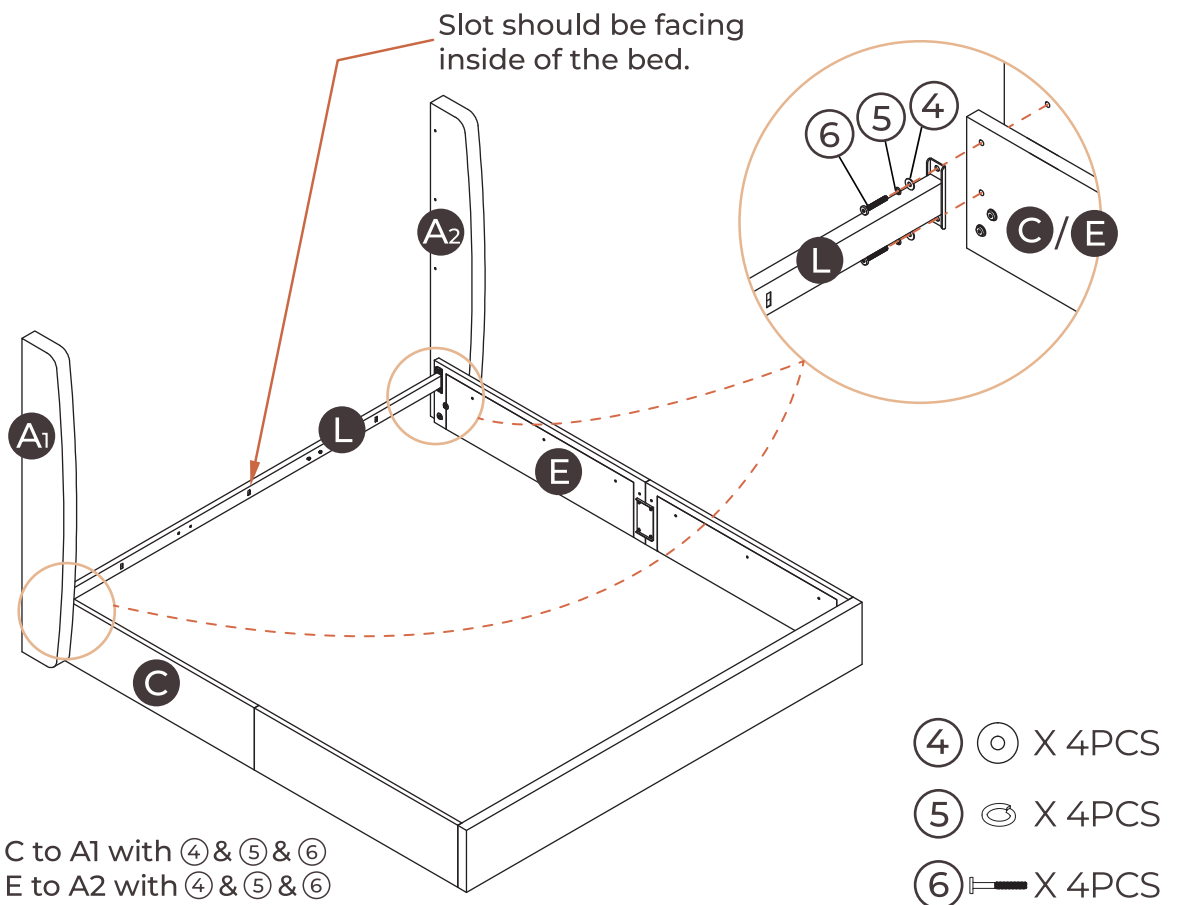


Installation Steps

Step 5

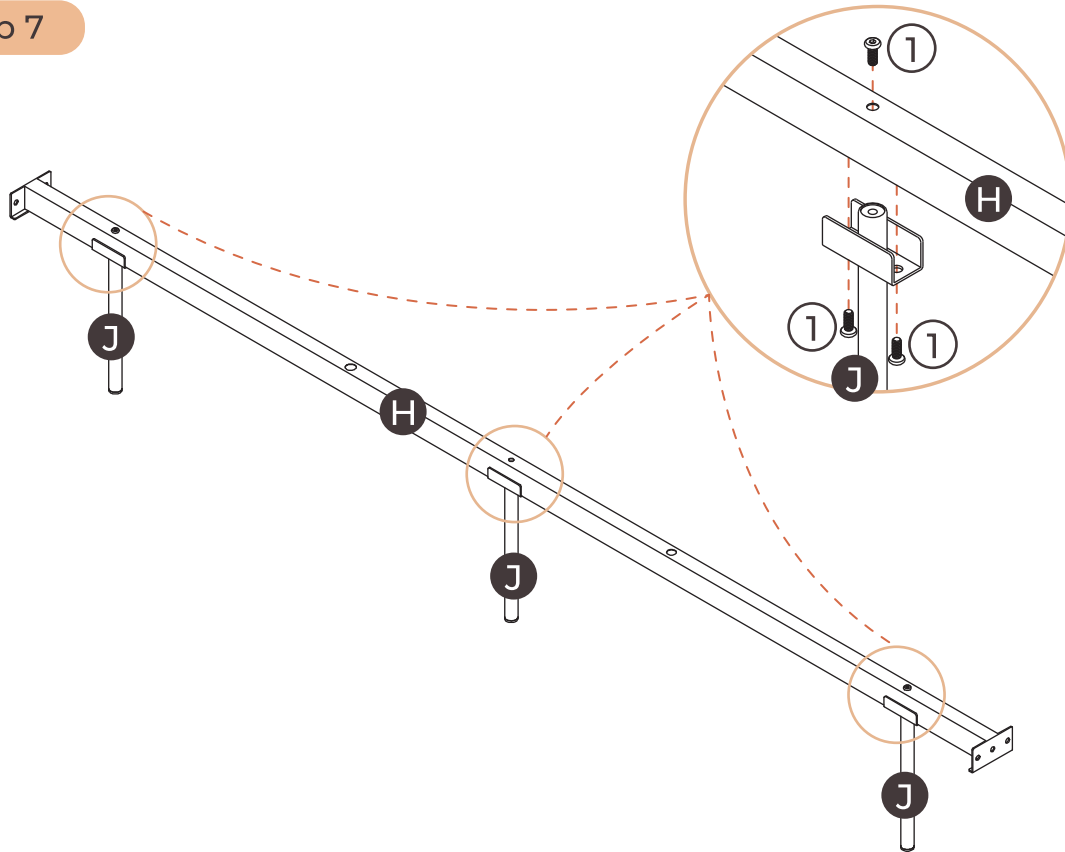


Step 6



Installation Steps

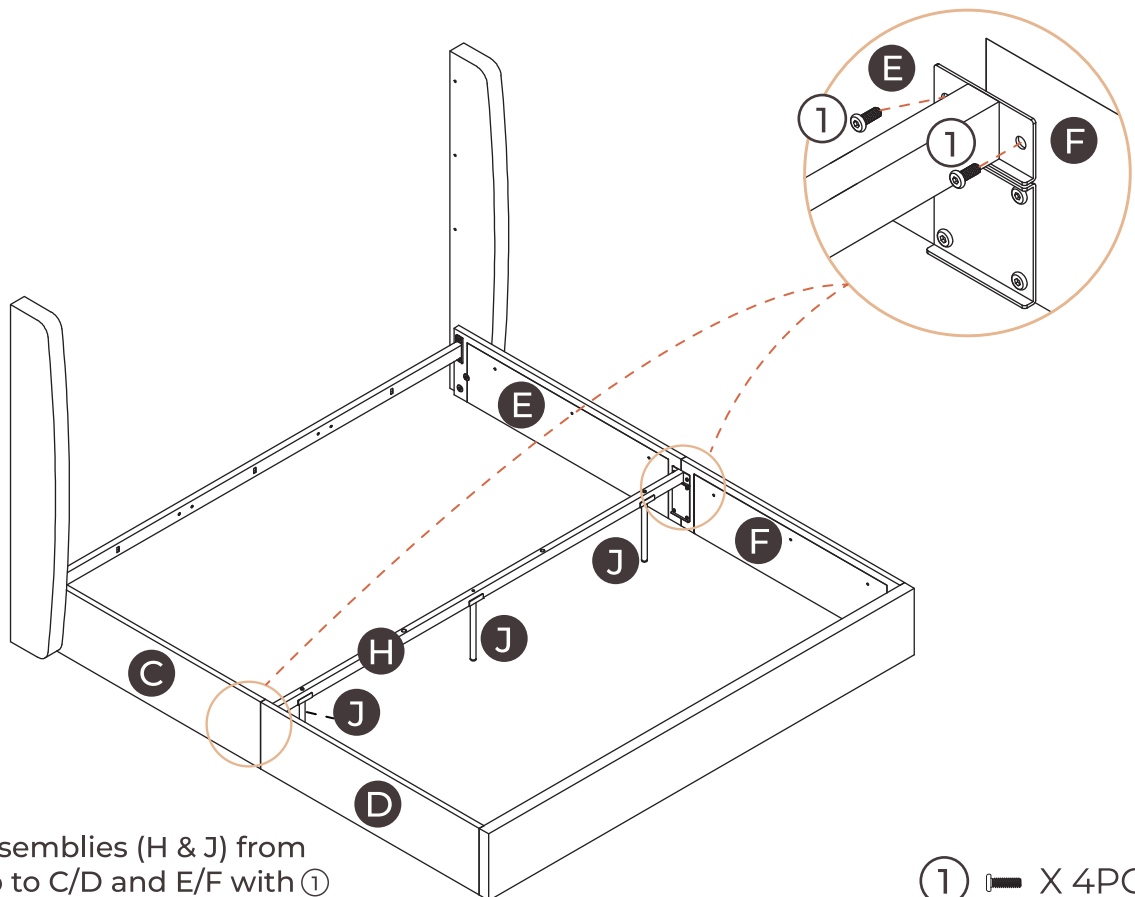
Step 7



Attach J x 3 to H with ①

① X 9PCS

Step 8

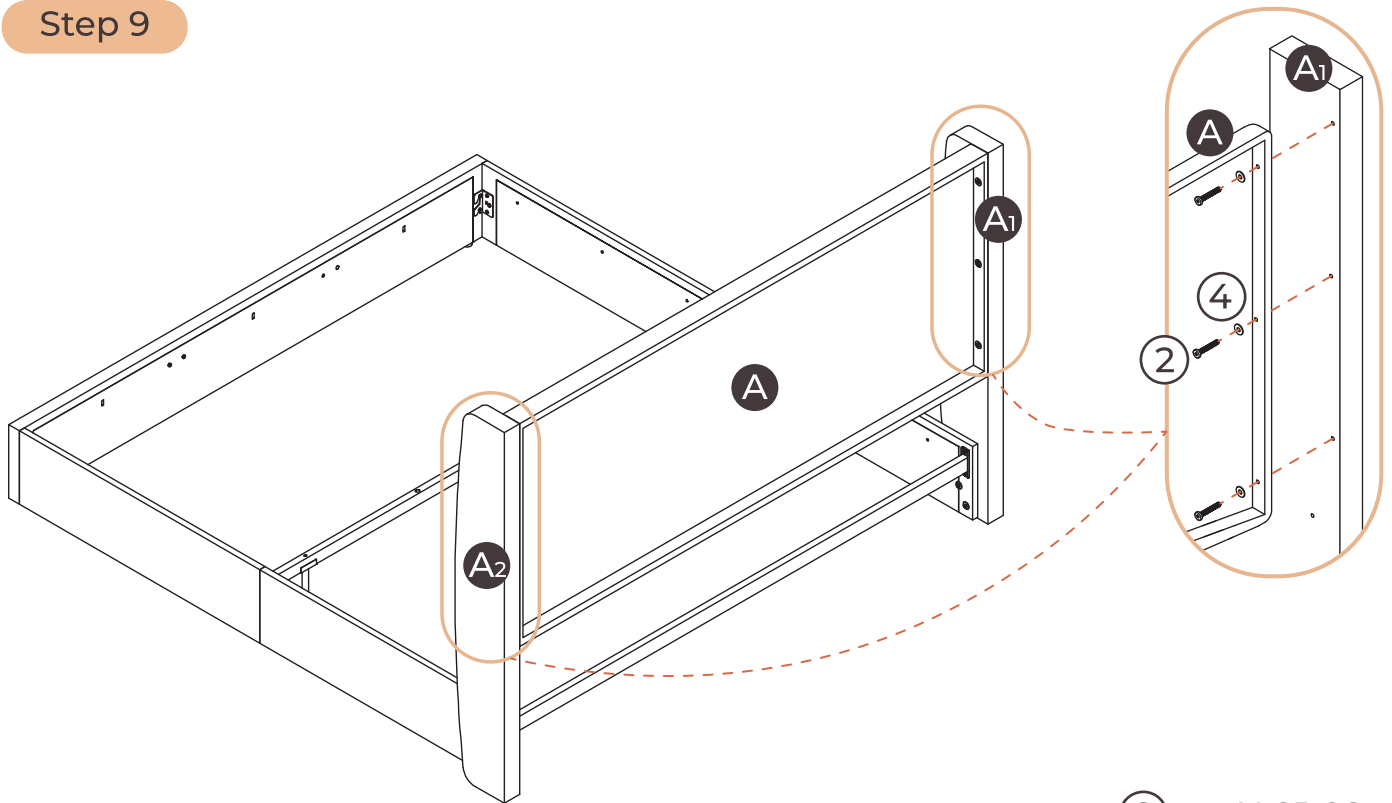


Attach subassemblies (H & J) from previous step to C/D and E/F with ①

① X 4PCS

Installation Steps

Step 9

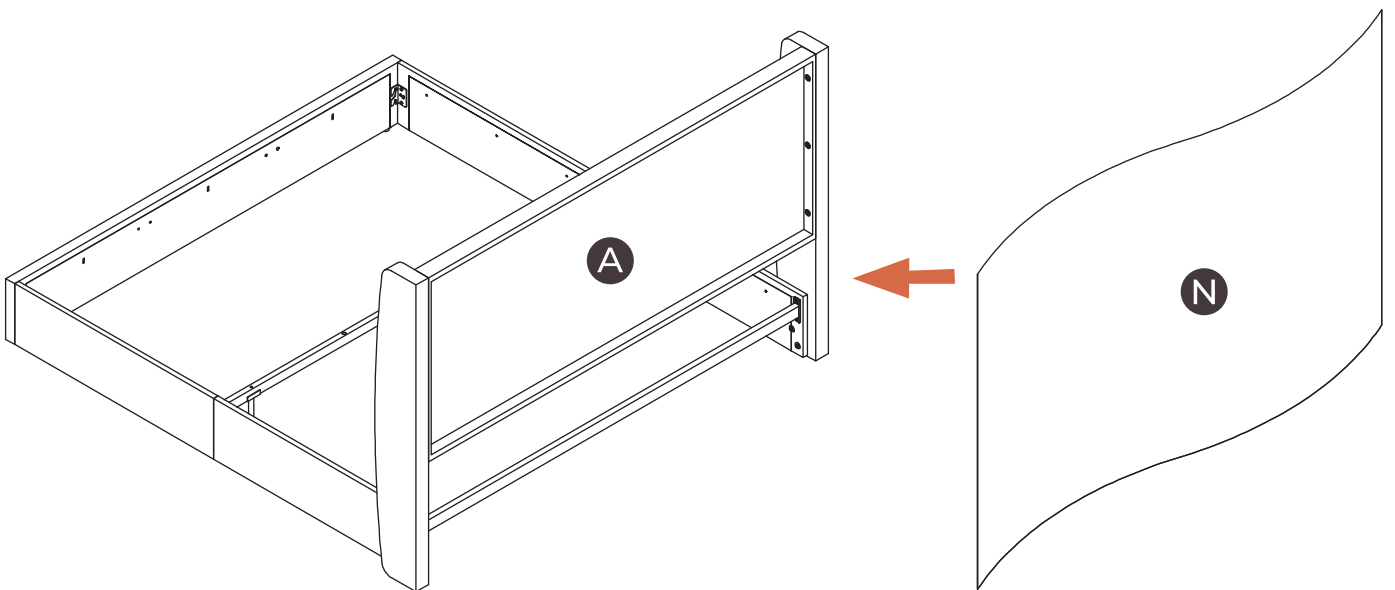


Attach A to A1 and A2 with ② and ④

② X 6PCS

④ X 6PCS

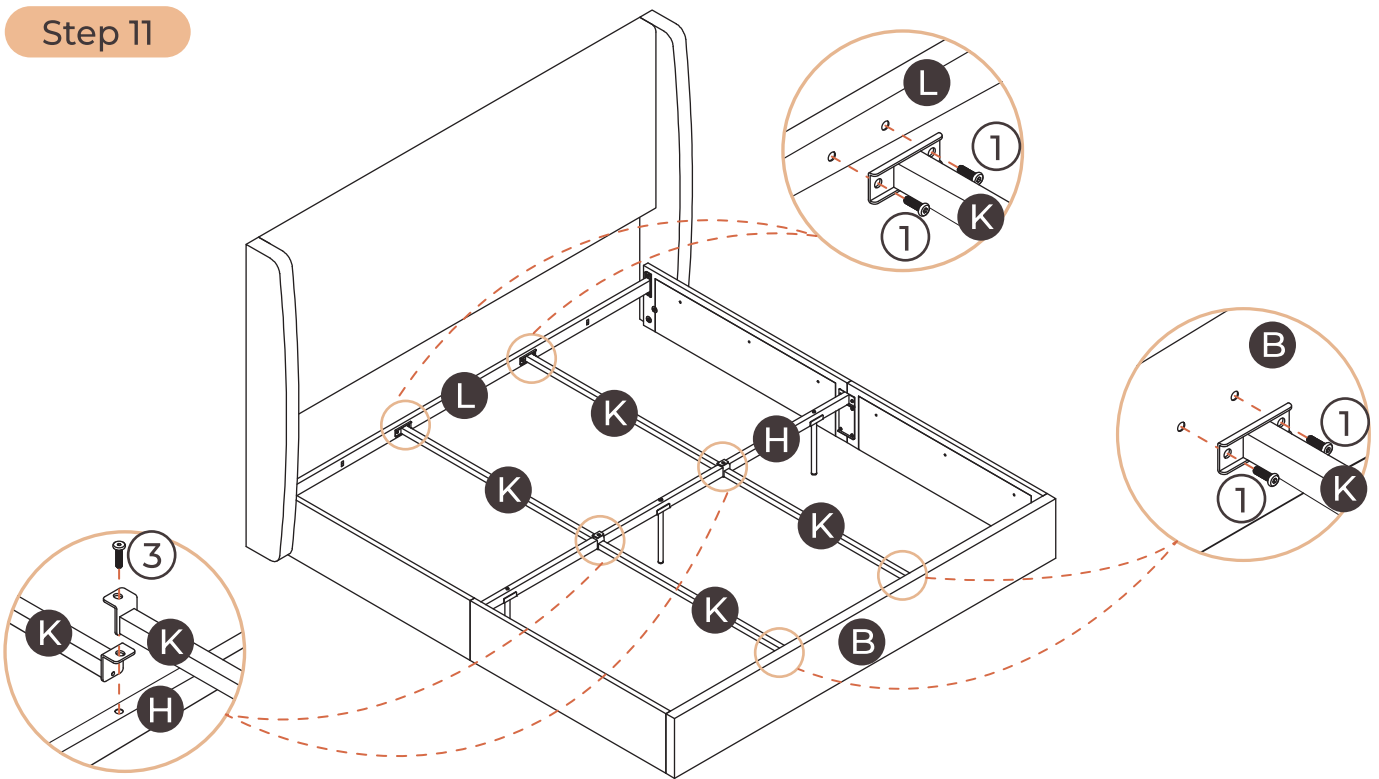
Step 10



Stick N to the back of A with Velcro as illustrated.

Installation Steps

Step 11

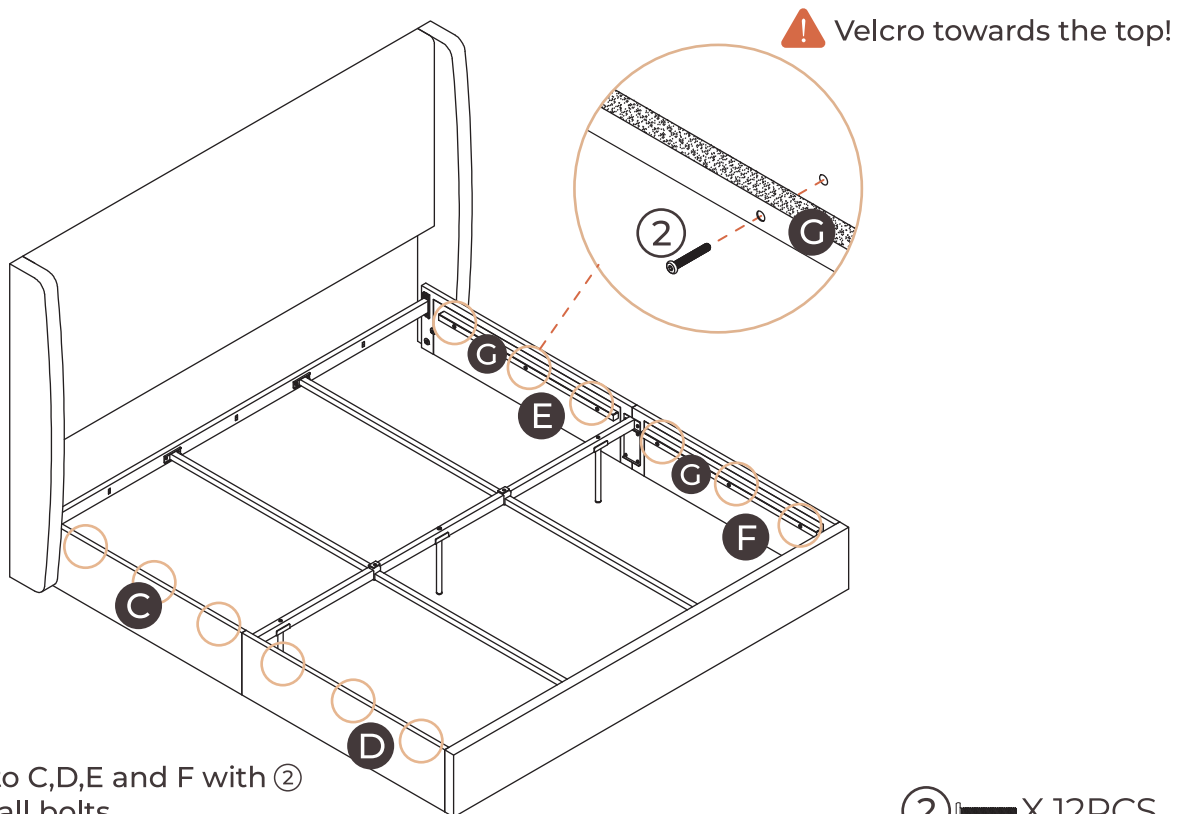


Attach K x 2 to L with ①
Attach K x 2 to B with ①
Attach K x 4 to H with ③

① — X 8PCS

③ — X 2PCS

Step 12

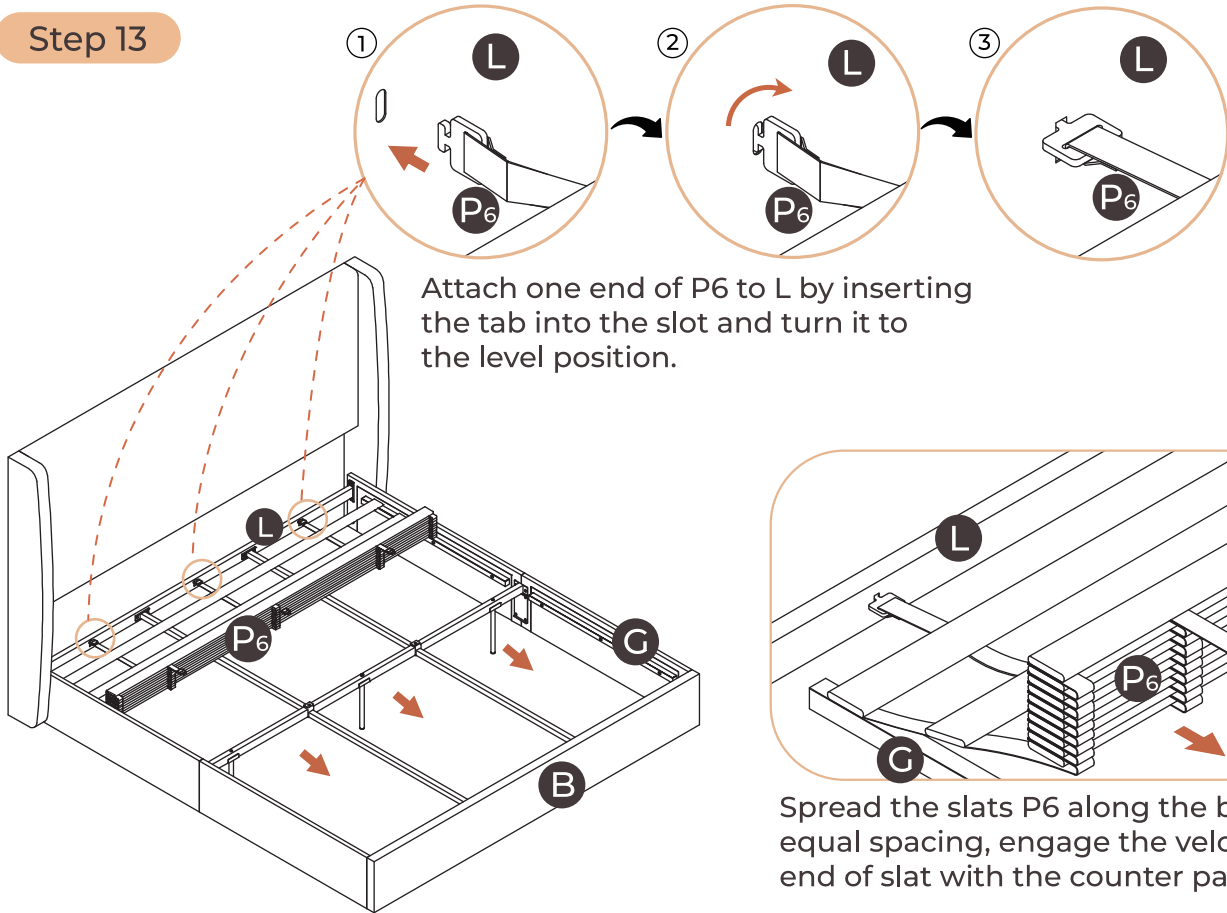


Attach G x 4 to C,D,E and F with ②
Fully tighten all bolts.

② — X 12PCS

Installation Steps

Step 13



Step 14

Attach the other end of P6 to B by inserting the tab into the slot and turn it to the level position.

