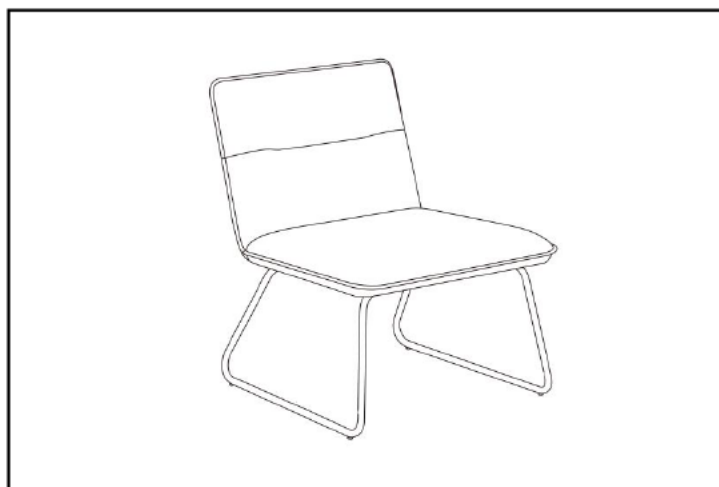




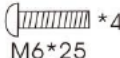



# INDOOR LOUNGE CHAIR

## INDOOR DINNING CHAIR ASSEMBLY INSTRUCTION



Part	DESCRIPTION	Quantity
<b>PARTS LIST</b>		
<i>PARTS</i>		
A	Seat Cushion	1
B	Leg Panel	1
C	Leg Panel	1
<i>HARDWARE</i>		
D	Bolts M6 x 12mm	3
E	Bolts M6 x 25mm	4
F	Allen Key	1

A  x1	B  x1	C  x1	D  *3 M6*12 x3
E  *4 M6*25 x4	F  x1		

# PLEASE READ AND FOLLOW ALL SAFETY TIPS

## GETTING STARTED

1. Before assembly, CAREFULLY use scissors or utility knife to cut and unwrap all parts. Make sure you do not discard the hardware.
2. Make sure that you have all the parts listed.

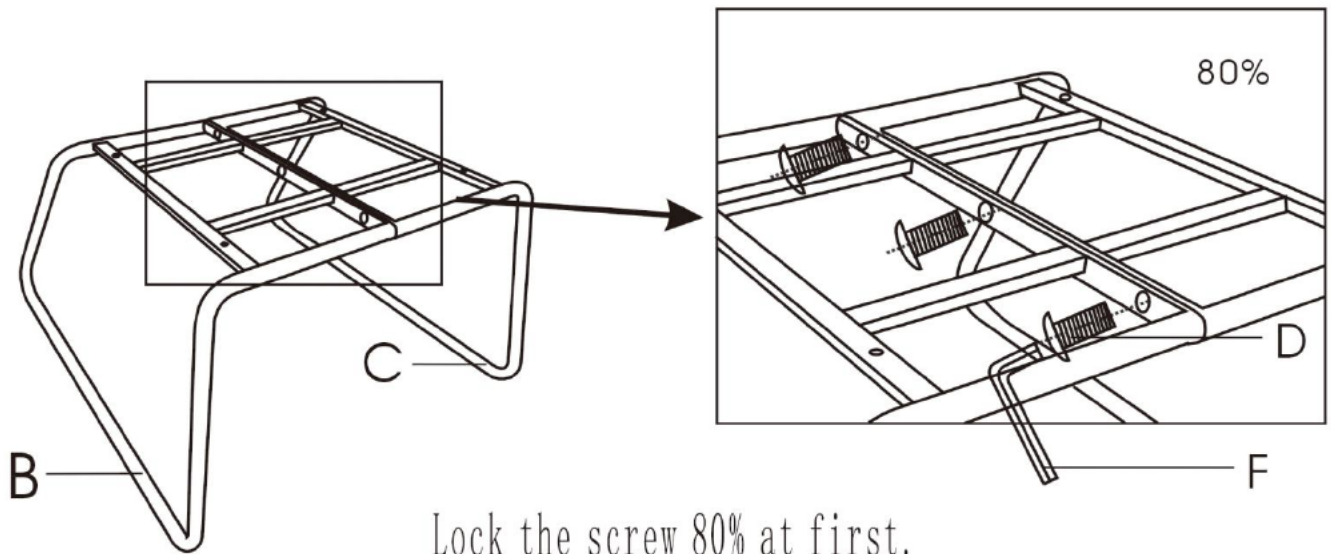
### Warm Tips:

1. The plastic covers on some metal parts are just for product protection, Please remove it before assembly.
2. Please follow the sequence of AI during assembly.
3. Do not tighten the screws until all of them are in right positions.

1. Attach Left Leg Panel(C) to Right Leg Panel(B) Using Short Bolts(D) With Allen Key(F). (photo 1)

**Do not fully tighten the Bolts**

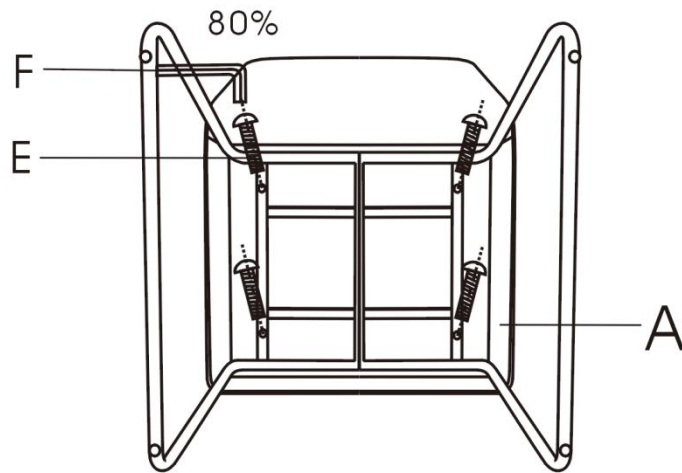
1



2. Place the Seat Cushion(A) face down. Align Left Leg Panel(C) and Right Leg Panel(B) with Seat Cushion(A).

Attach using long Bolts(E) with Allen Key(F). (photo 2)

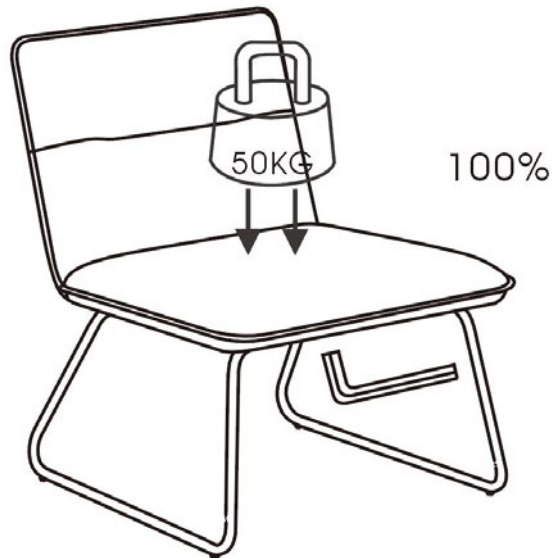
2



Lock the screw 80% at first.

3. Tighten all Bolts at all joints in a sequential manner until secure. (photo 3)

3



Till now you have finished the whole assembly and enjoy your furniture!