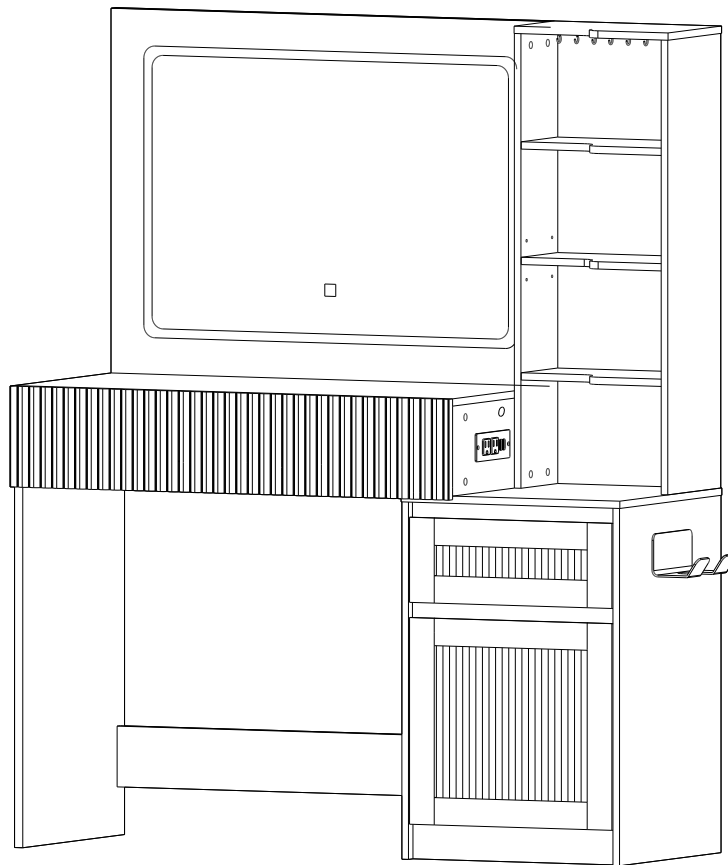


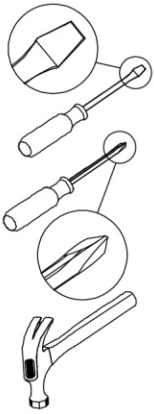
Installation & Assembly



As this item contains many parts, please read the installation instruction carefully before installation . Please use tools properly and carefully. If you have any questions about the product and installation, please contact us.

Our professional after-sales team will serve you online all day.

Before You Start



- ✓ Read through each step carefully and follow the proper order
- ✓ Separate and count all your parts and hardware
- ✓ Give yourself enough room for the assembly process
- ✓ Have the following tools: Flat Head Screwdriver, #2 Phillips Head Screwdriver and Hammer
- ✓ Caution: If using a power drill or power screwdriver for screwing, please be aware of to slow down and stop when screw is tight. Failure to do so may result in stripping the screw. (Assembly speed can be increased by using electric screwdriver)

Helpful Hints

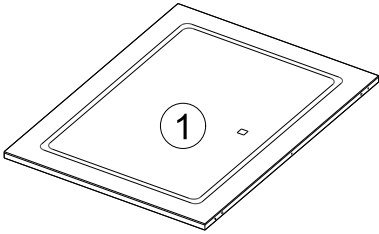
PEOPLE NEEDED FOR ASSEMBLY: 1-2

- Open your item in the area you plan to keep it to avoid excessive heavy lifting.
- Identify, sort and count the parts before attempting assembly.
- Compression dowels are lightly tapped in with a hammer.
- Slides are labeled with an R (right) and L (left) for proper placement.
- Make sure to always face the point on the top of the Cam Lock towards the outer edge.
- If there is a back panel in the package, please install it to make sure your unit is complete and sturdy.
- Please fix all the screws provided for the back panel which can enhance product stability. If it is difficult to fix it when tightening, it can be fixed with the help of a hammer and then tightened.
- Do NOT use harsh chemicals or abrasive cleaners on this item.
- Never push, pull, or drag your furniture.

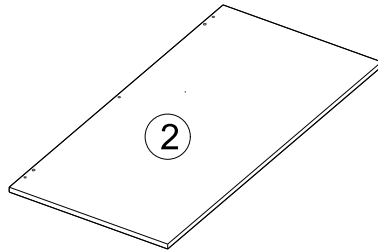


Board Identification

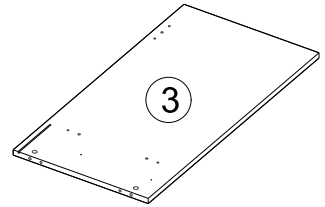
Not actual size



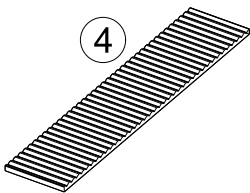
Mirror Surface
Qty: 1



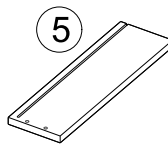
Left Cabinet Panel
Qty: 1



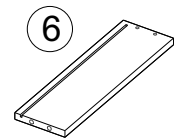
Left Cabinet Left Side Panel
Qty: 1



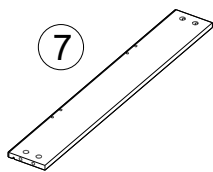
Wave Extraction Panel
Qty: 1



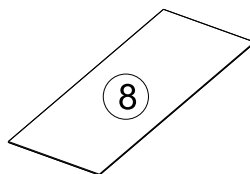
Left Cabinet Left
Drawer Side Panel
Qty: 1



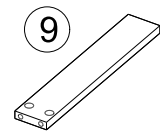
Left Cabinet Right
Drawer Side Panel
Qty: 1



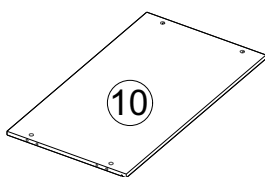
Left Cabinet Back Panel
Qty: 1



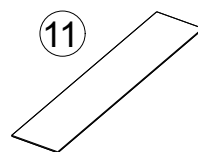
Left Cabinet Bottom Panel
Qty: 1



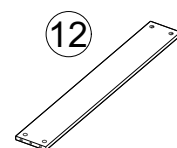
Left Cabinet Bottom
Support Board
Qty: 2



Left Cabinet Bottom Panel
Qty: 1



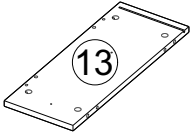
Left Cabinet Back Panel
Qty: 1



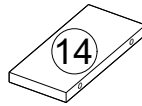
Cabinet Left Door Panel
Qty: 1

Board Identification

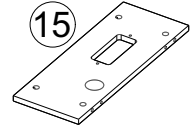
Not actual size



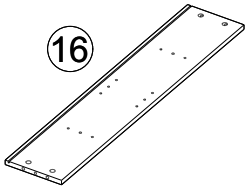
Left Neutral Plate
Qty: 1



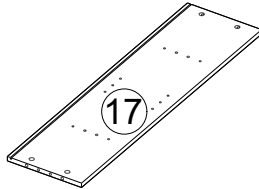
Middle baffle
Qty: 1



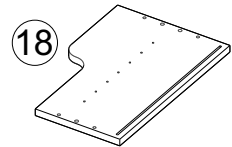
Right Neutral Plate
Qty: 1



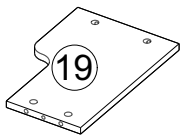
The Left Side Panel Of
The Upper Right Cabinet
Qty: 1



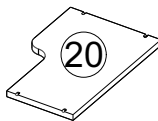
The Right Side Panel Of
The Upper Right Cabinet
Qty: 1



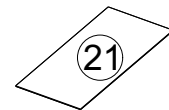
Top Panel Of the Upper
Right Cabinet
Qty: 1



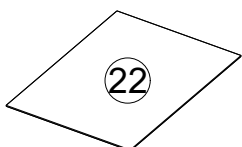
The Upper Right Cabinet Shelf
Qty: 2



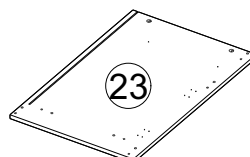
Adjustable Shelf On The
Right Upper Cabinet
Qty: 1



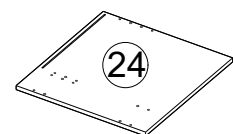
The Back Panel Of
The Upper Right Cabinet
Qty: 1



The Back Panel Of
The Lower Right Cabinet
Qty: 1



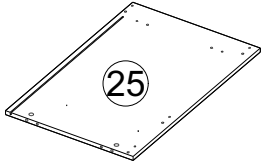
Right Lower Cabinet Panel
Qty: 1



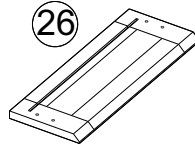
The Left Side Panel Of
The Lower Right Cabinet
Qty: 1

Board Identification

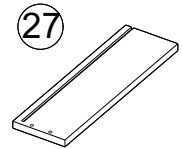
Not actual size



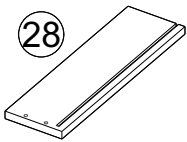
The Right Side Panel Of
The Lower Right Cabinet
Qty: 1



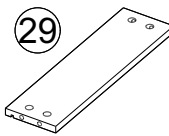
Right Lower Cabinet
Drawer Panel
Qty: 1



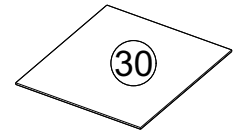
The Left Side Panel Of
The Lower Right Cabinet
Qty: 1



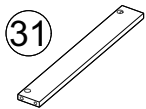
The Right Side Panel Of
The Lower Right Cabinet
Qty: 1



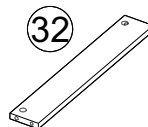
The Back Panel Of
The Lower Right Cabinet
Qty: 1



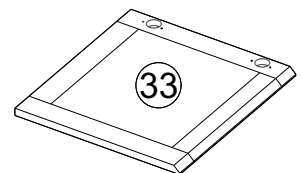
The Bottom Panel Of
The Lower Right Cabinet
Qty: 1



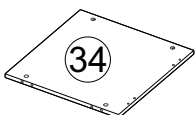
The Right Lower Cabinet
Top Shelf
Qty: 1



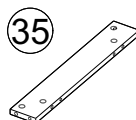
The Lower Panel Of
The Right-bottom Cabinet
Qty: 1



Right Lower Cabinet Door
Qty: 1

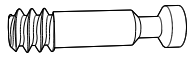


The Bottom Plate Of
The Lower Right Cabinet
Qty: 1



The Bottom Upright Panel Of
The Lower Right Cabinet
Qty: 2

Part List



Ø6x28mm

(A)

X74

SMALL CAM LOCK
spare: 5



Ø12x9.5mm

(B)

X74

CAM LOCK
spare: 5

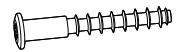


Ø6x30mm

(C)

X52

WOOD DOWEL
spare: 5



Ø5x50mm

(D)

X7

SCREW
spare: 1

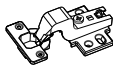


M3.5x12mm

(E)

X60

SCREW
spare: 5



Ø26mm

(F)

X2

HINGE

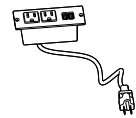


36x16x1.6mm

(G)

X3

BRACKET



(H)

X1

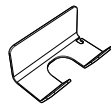
POWER STRIP



(I)

X7

COUPLE
spare: 1



(J)

X1

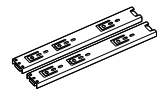
HAIR DRYER RACK
spare: 1



(K)

X4

LAYER SUPPORT
spare: 1



(L)

X2

SLIDING RAIL



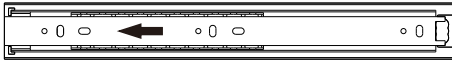
(M)

X16

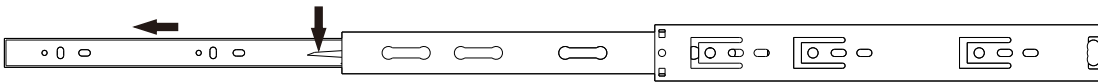
BRACKET
spare: 2

Part List

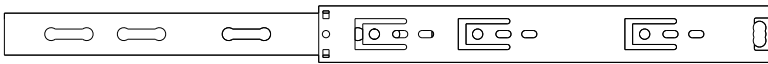
1) Pull toward arrow to open the slide until its stops and then flip it over.



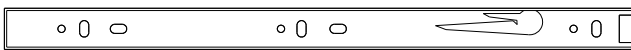
2) Push plastic lever down and pull apart.



Cabinet member



Drawer member

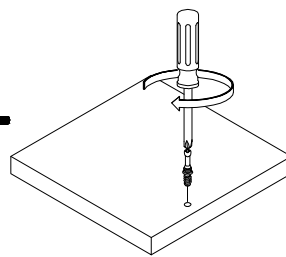


Part List

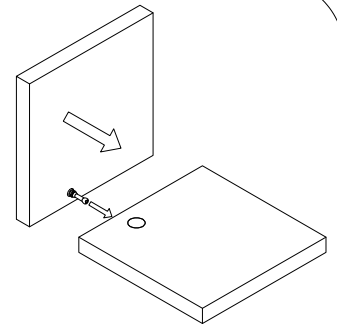
Cam Lock Fastening System

Insert the cam bolt into the hole first, then insert the cam lock and lock it .

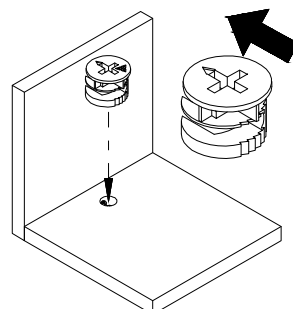
1



2

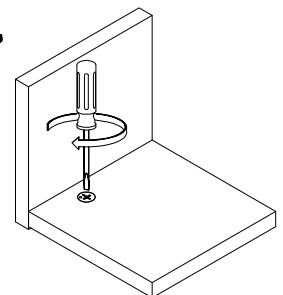


3



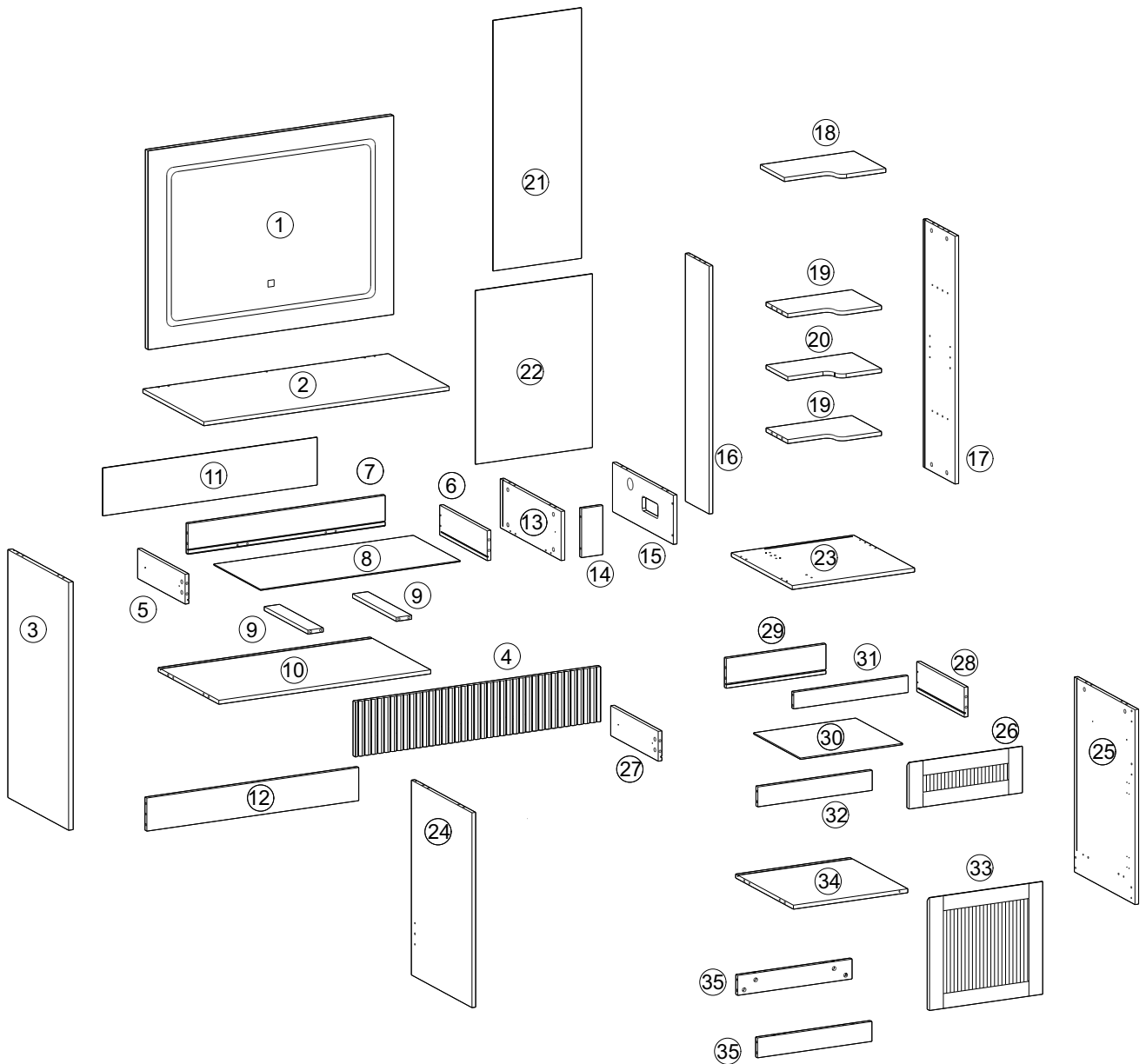
The opening must point toward the edge of board

4

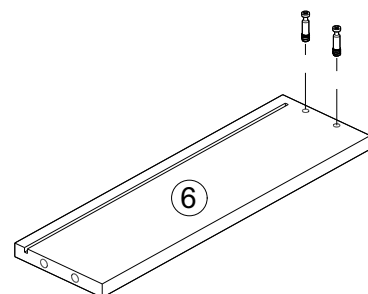
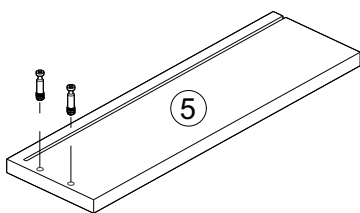
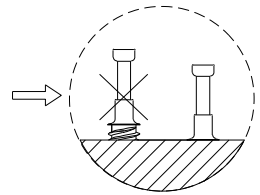
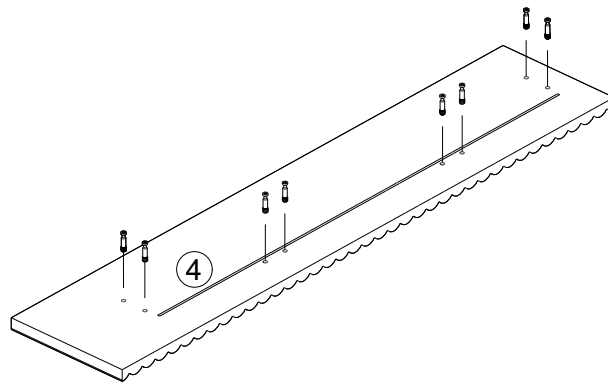
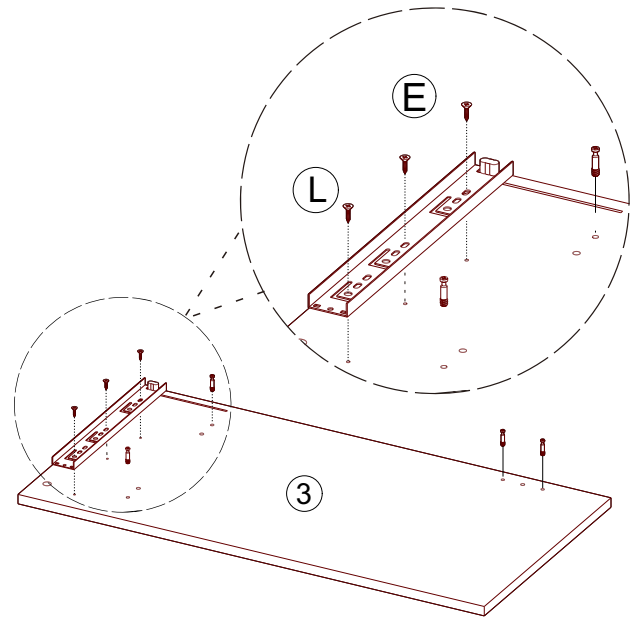
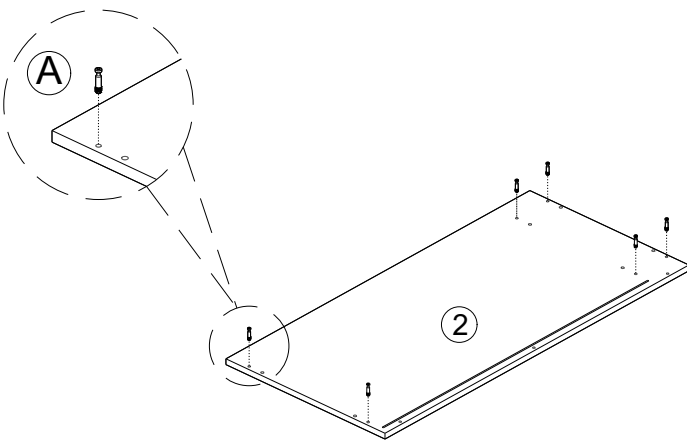
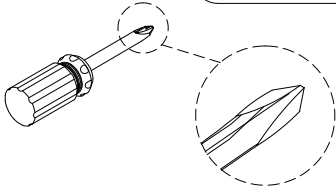
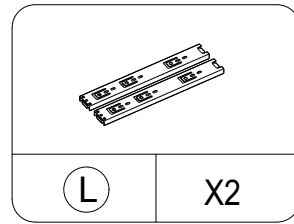
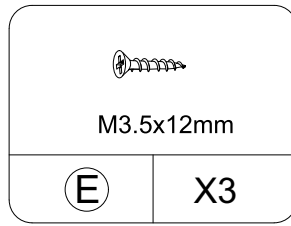
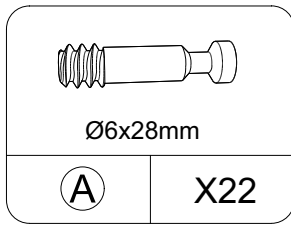


Board Identification

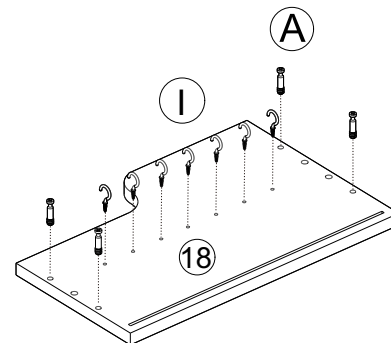
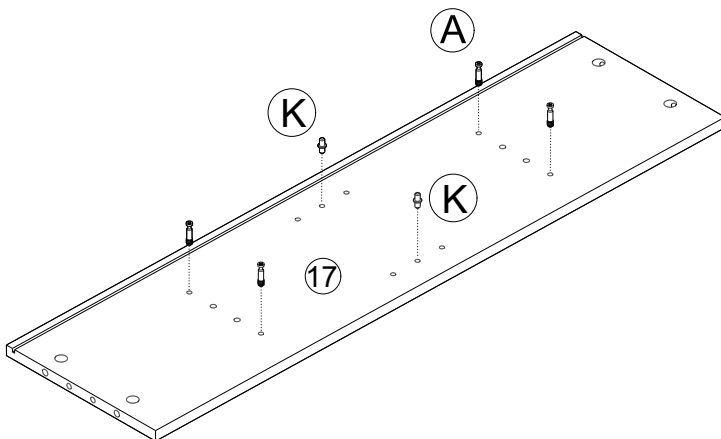
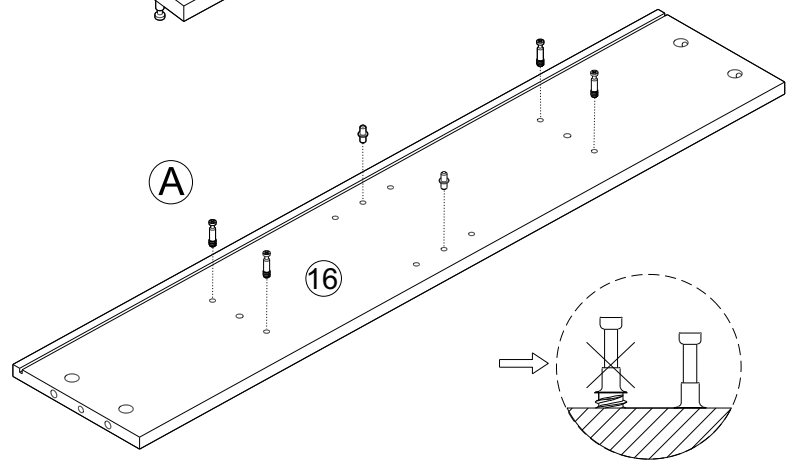
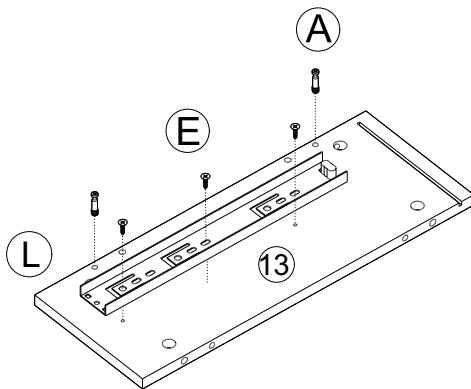
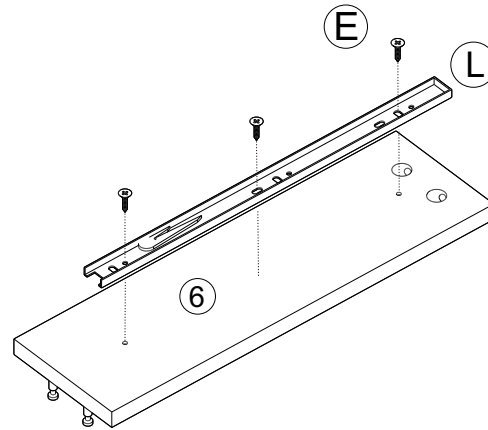
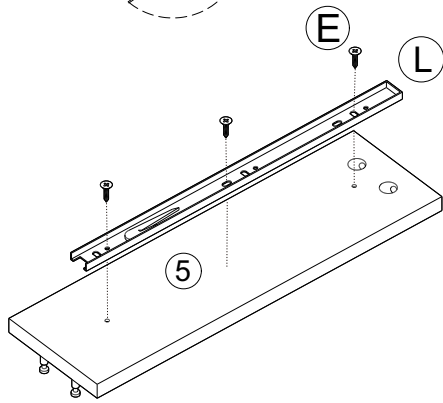
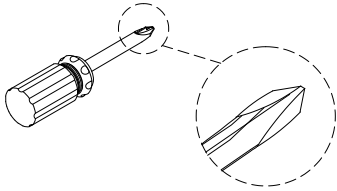
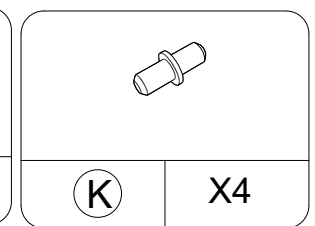
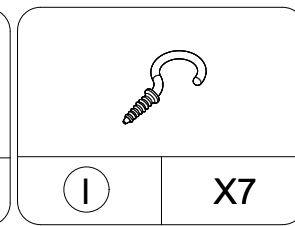
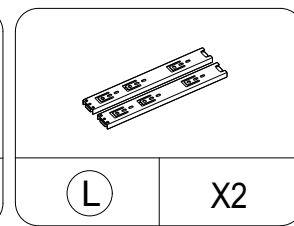
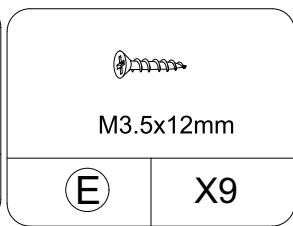
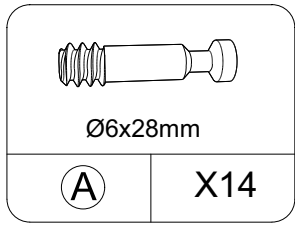
Not actual size



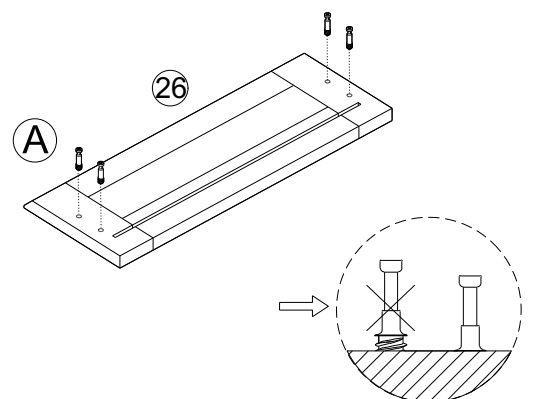
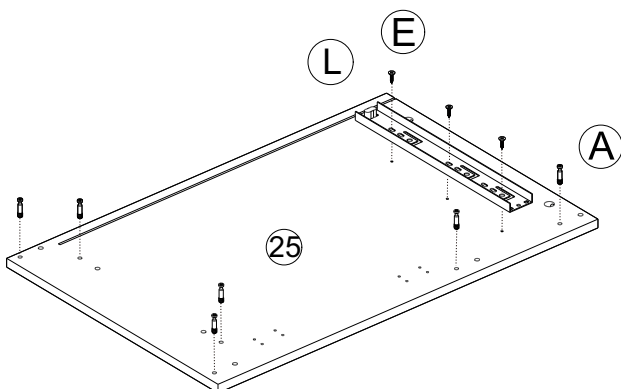
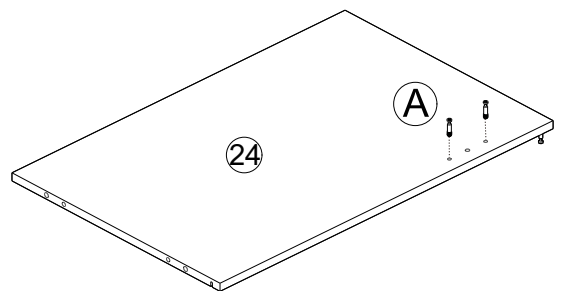
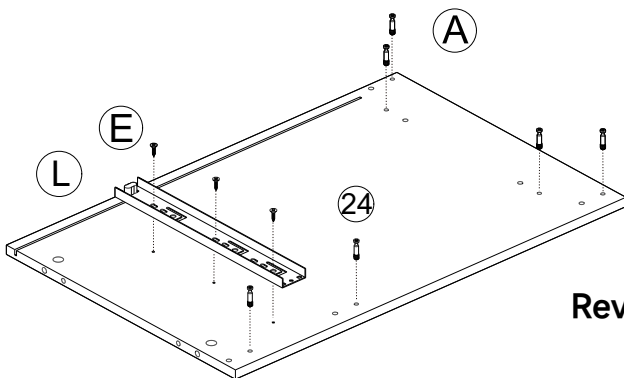
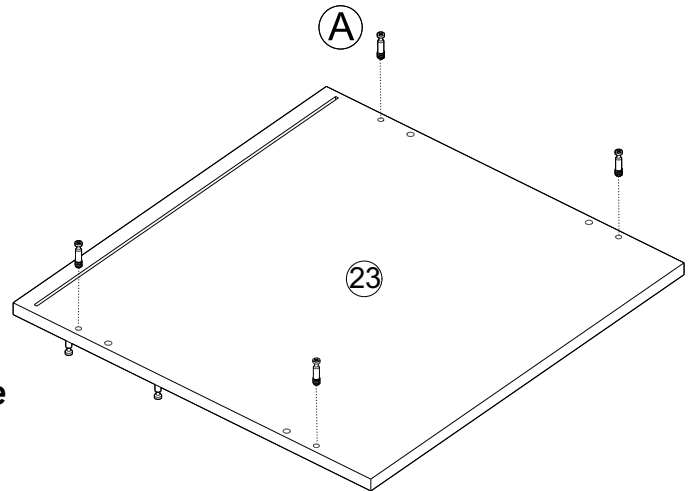
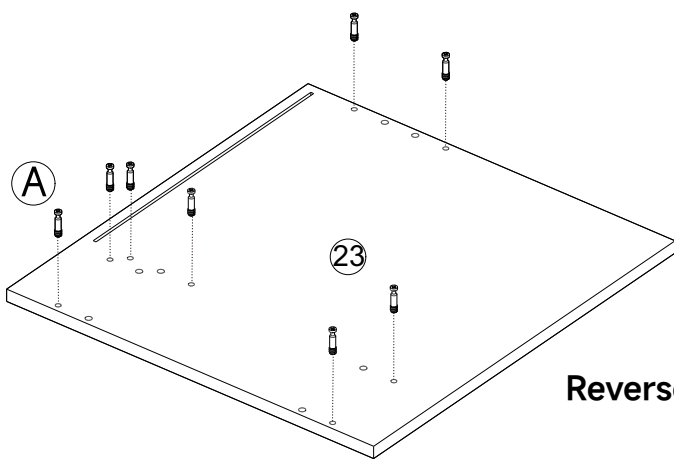
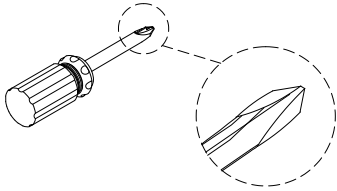
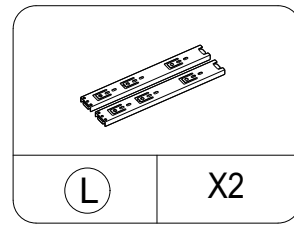
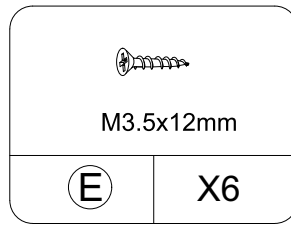
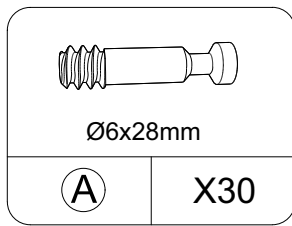
STEP 1



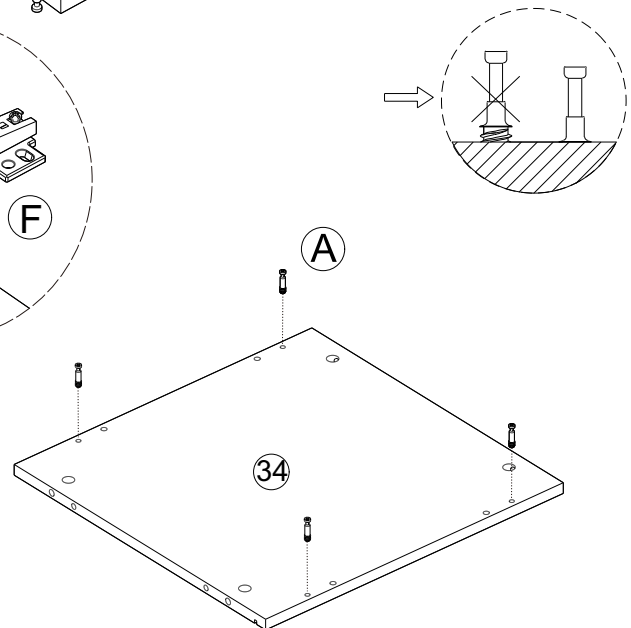
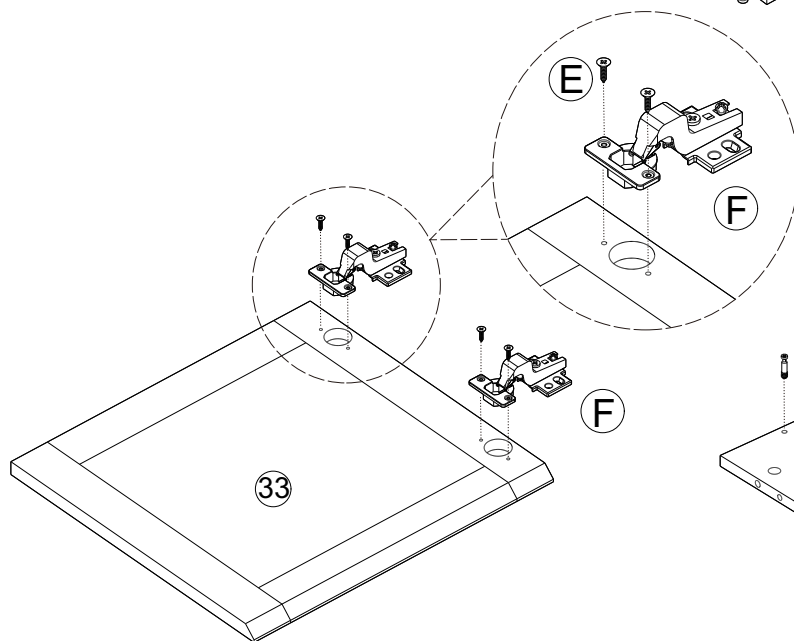
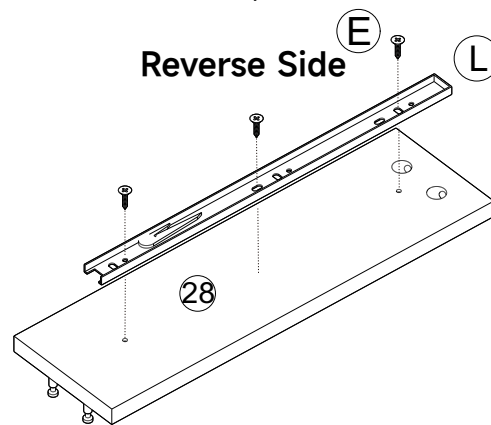
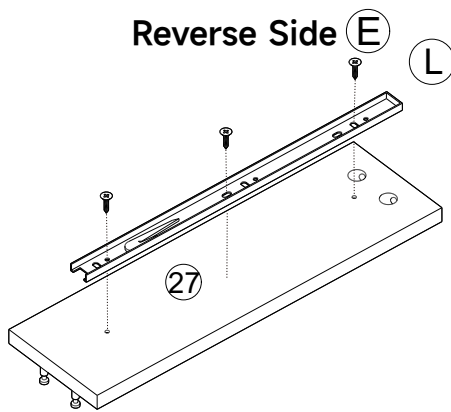
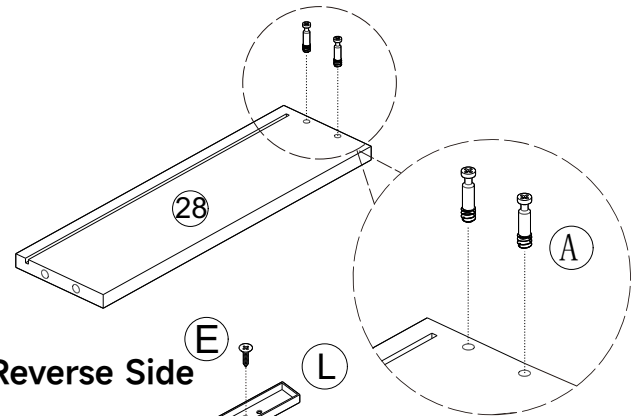
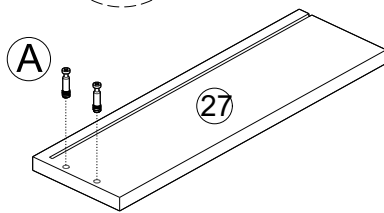
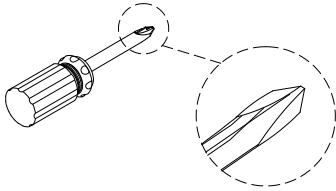
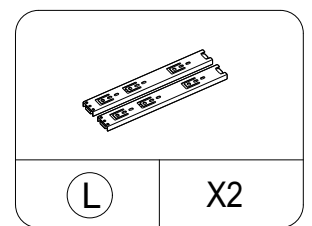
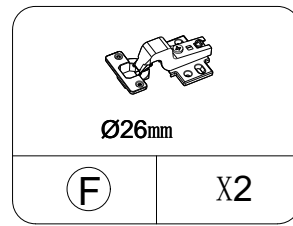
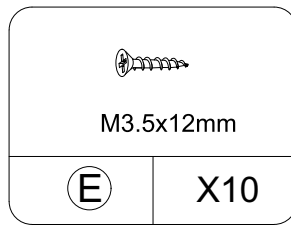
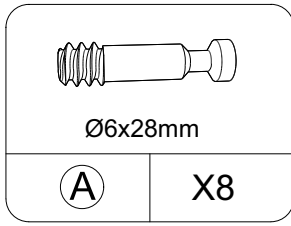
STEP 2



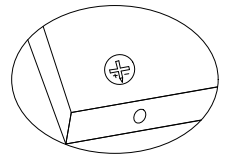
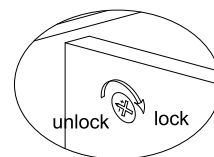
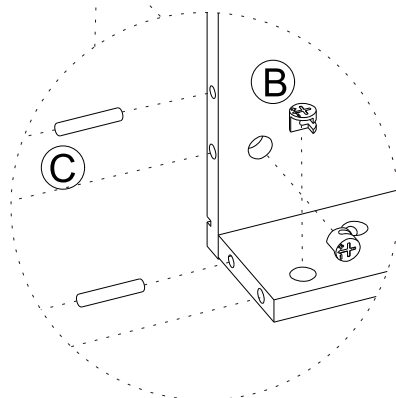
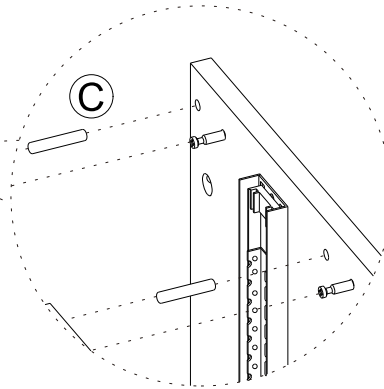
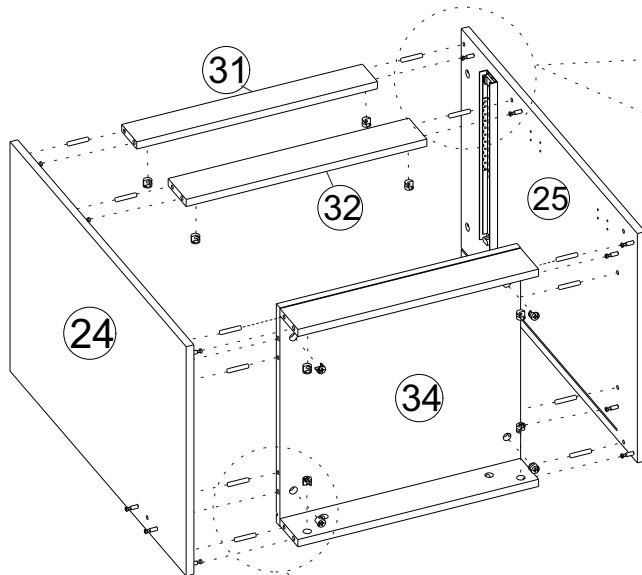
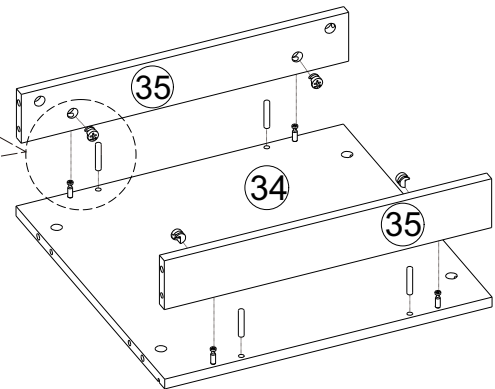
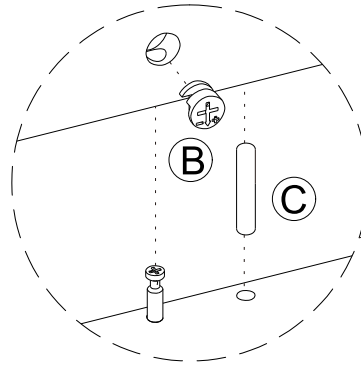
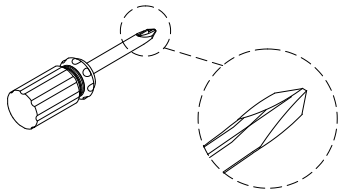
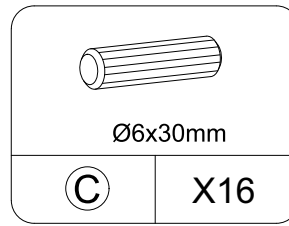
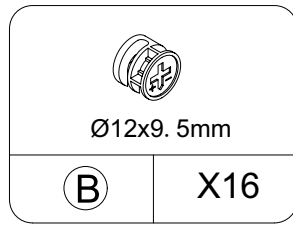
STEP 3



STEP4

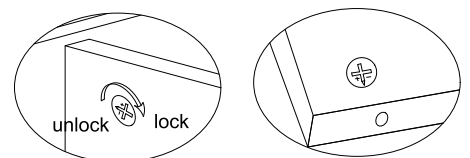
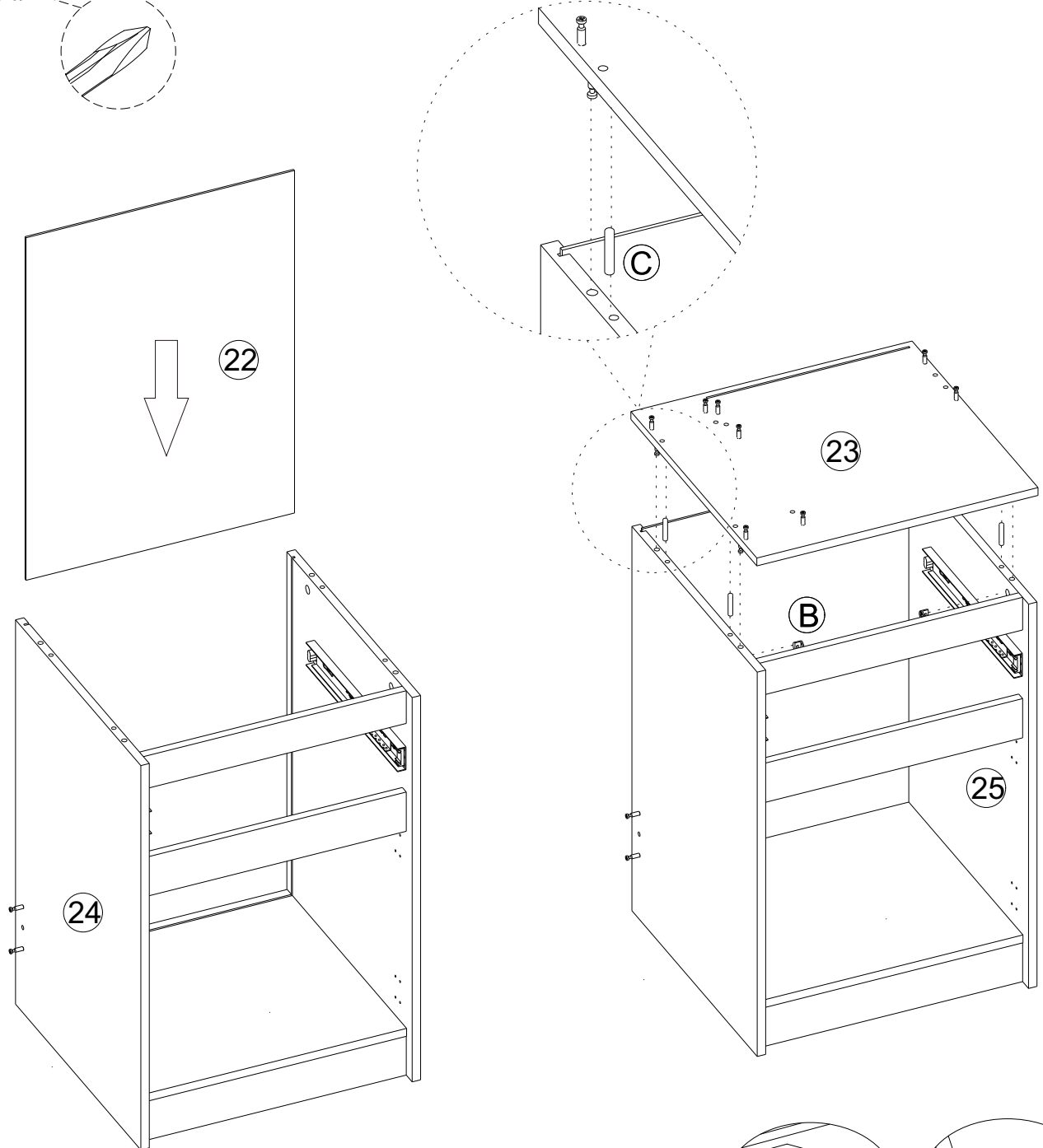
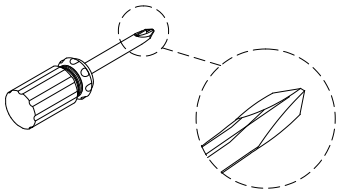
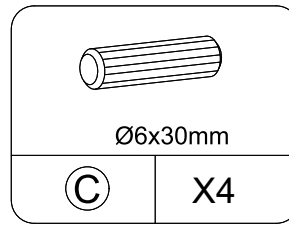
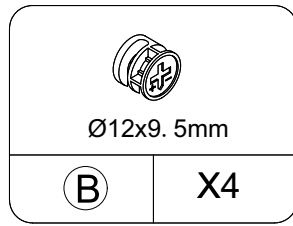


STEP 5



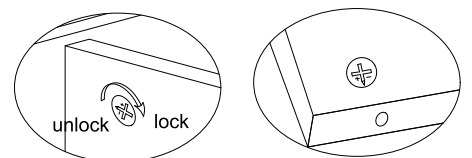
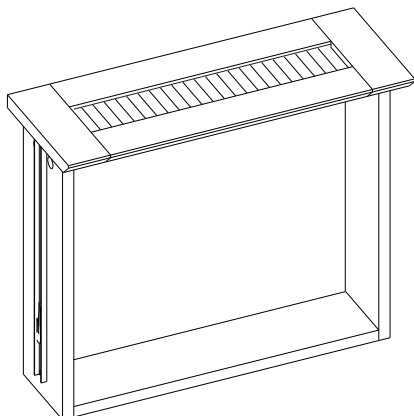
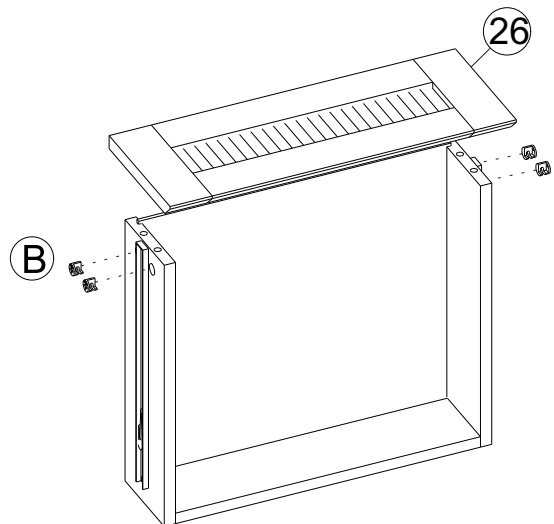
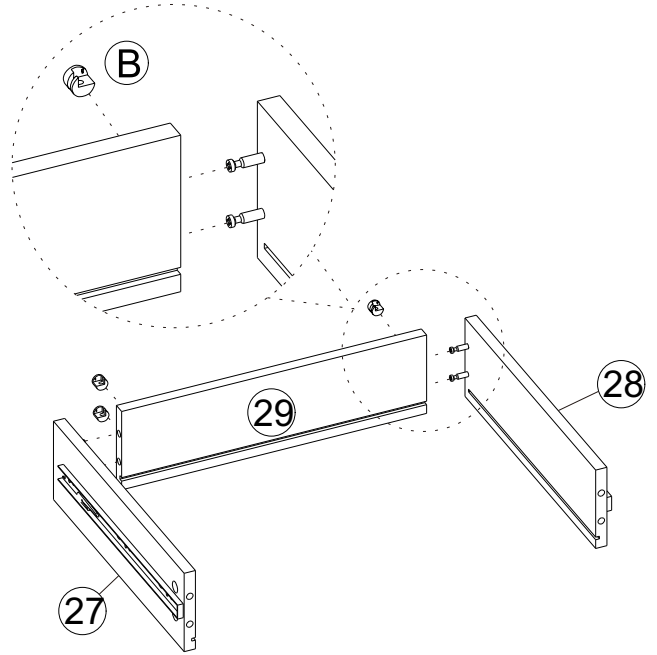
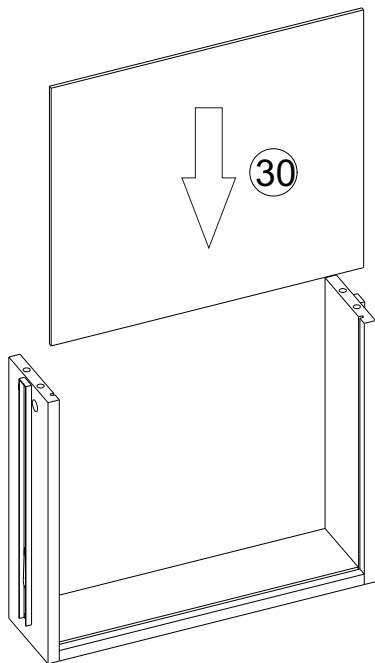
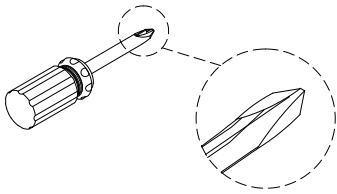
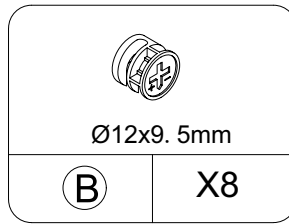
Proper Orientation of CAM LOCK

STEP 6



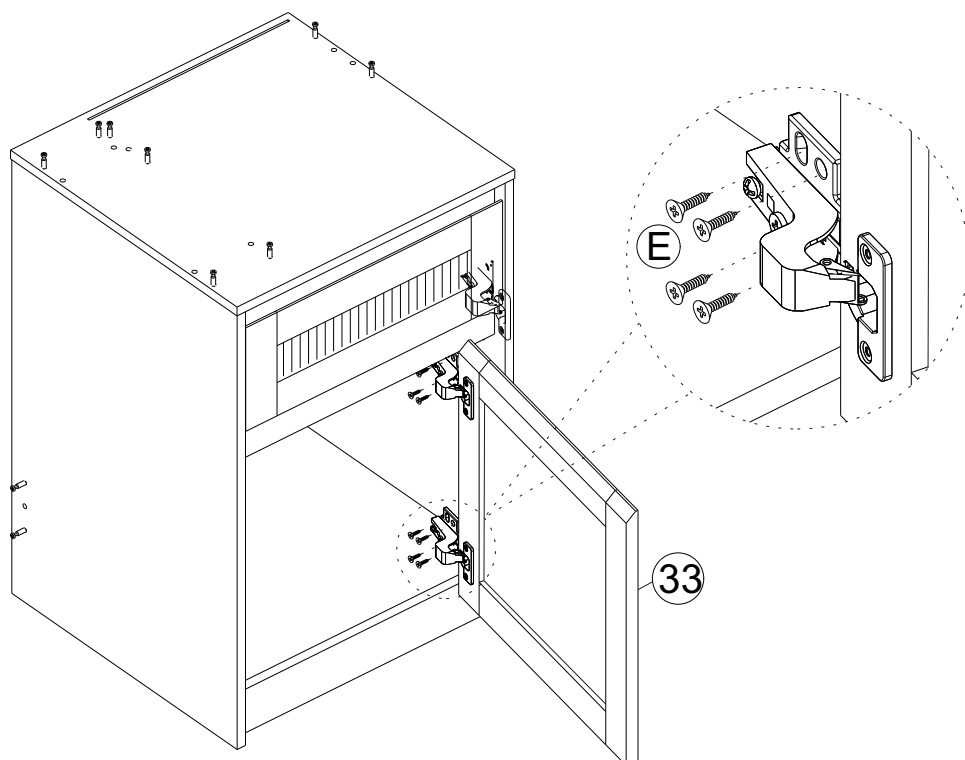
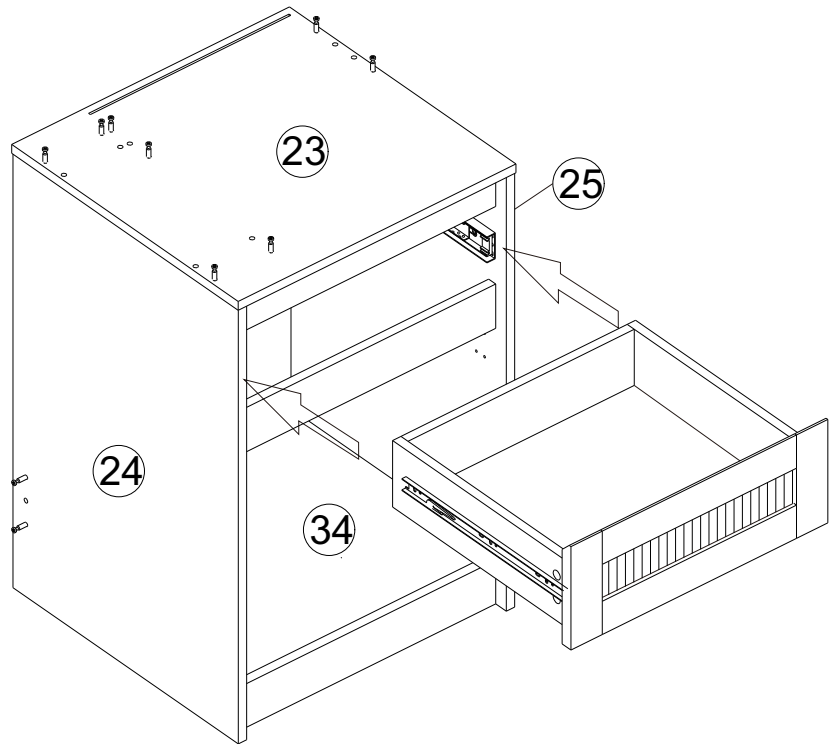
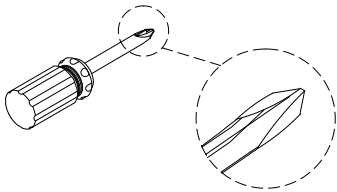
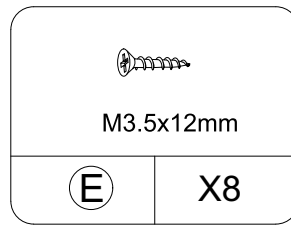
Proper Orientation of CAM LOCK

STEP 7

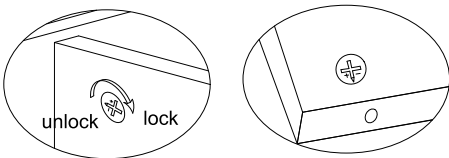
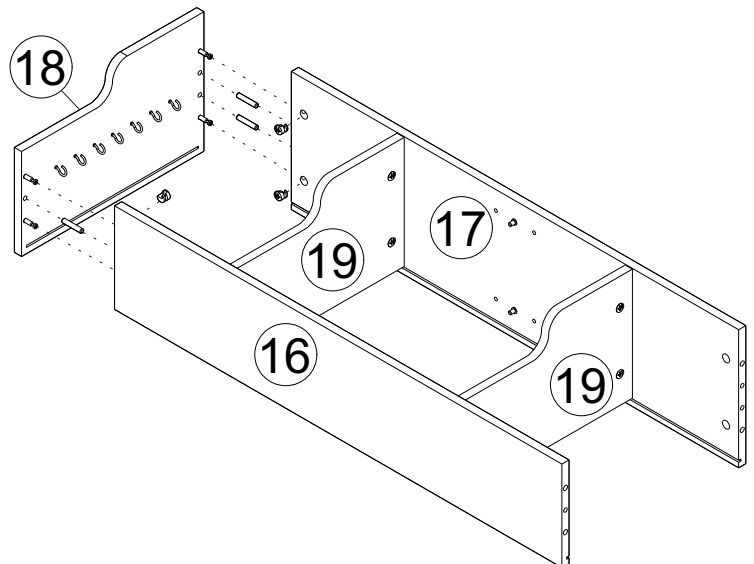
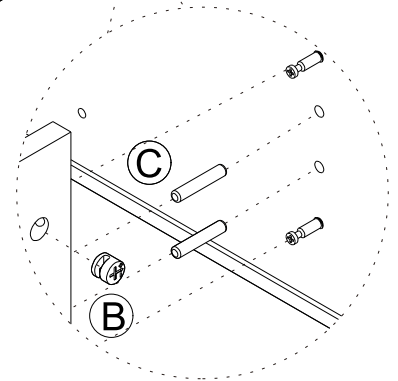
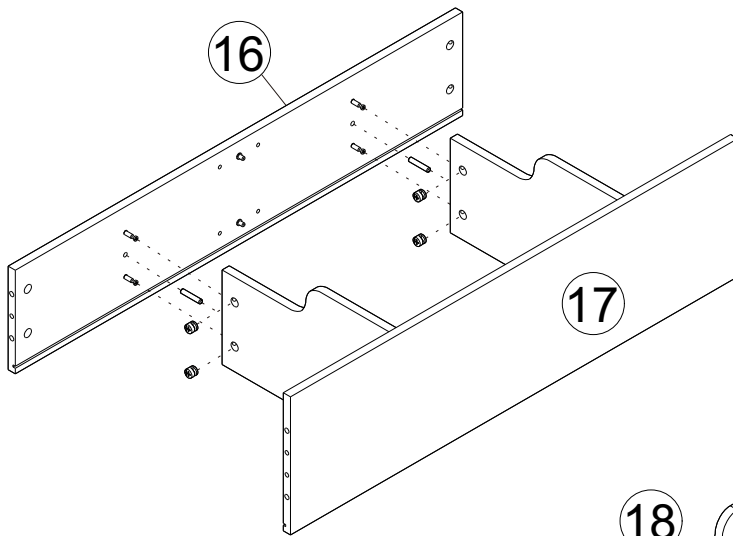
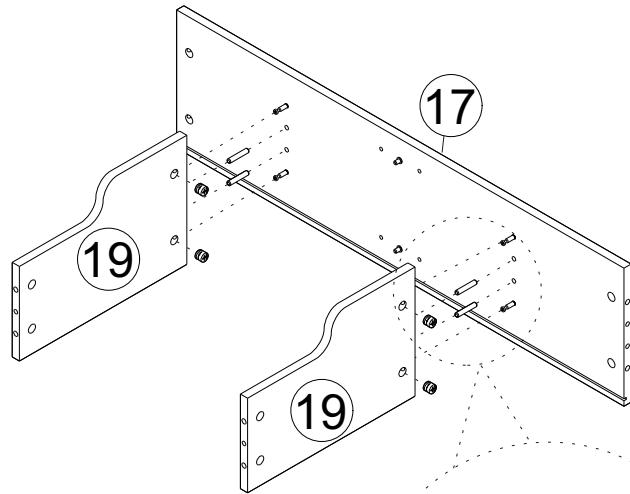
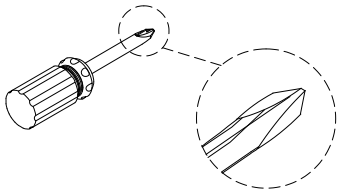
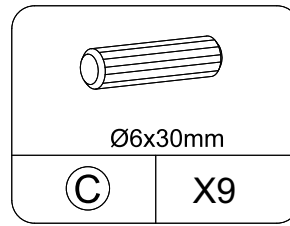
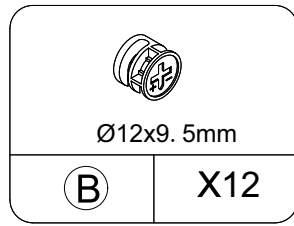


Proper Orientation of CAM LOCK

STEP 8

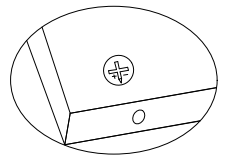
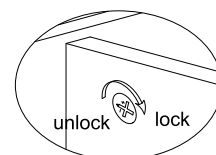
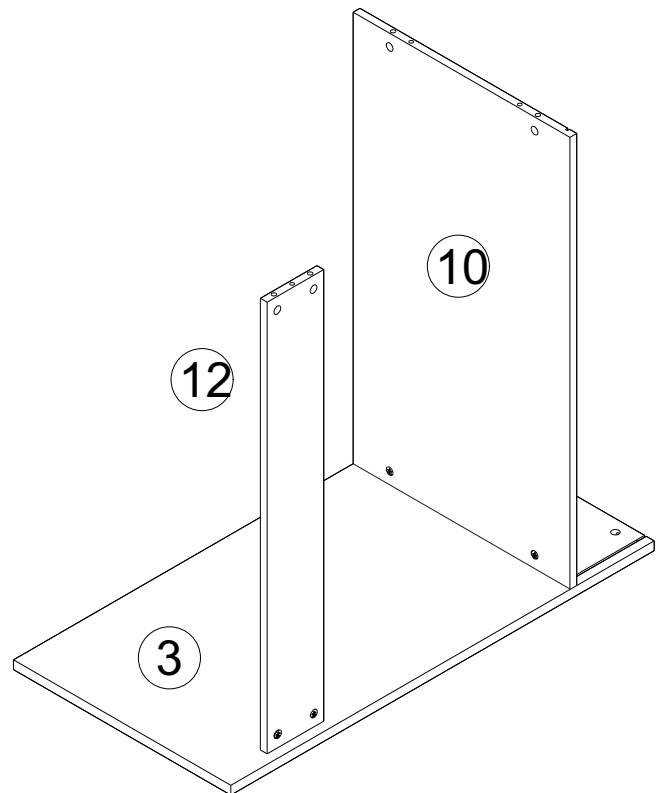
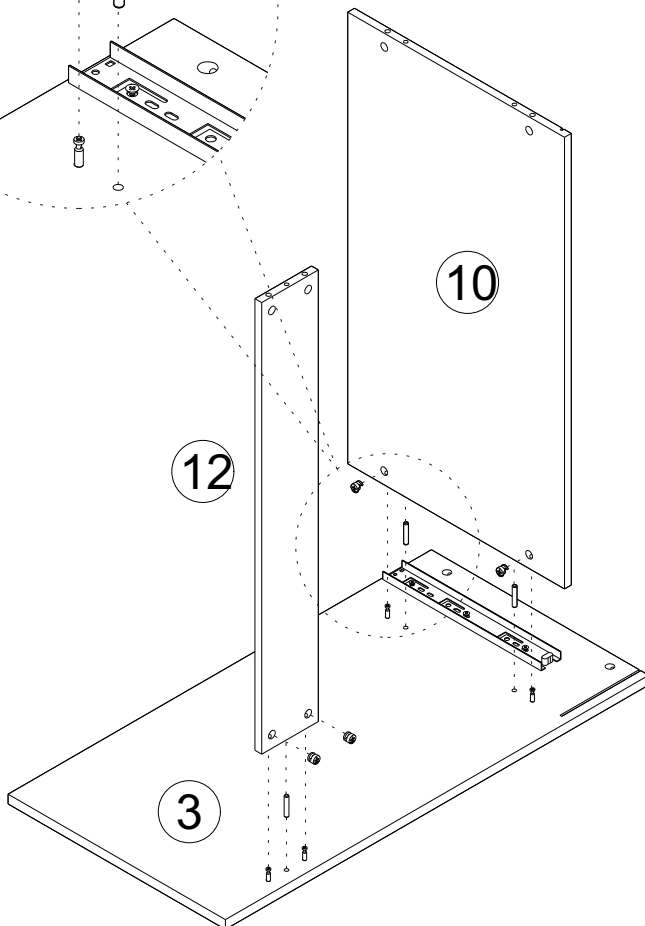
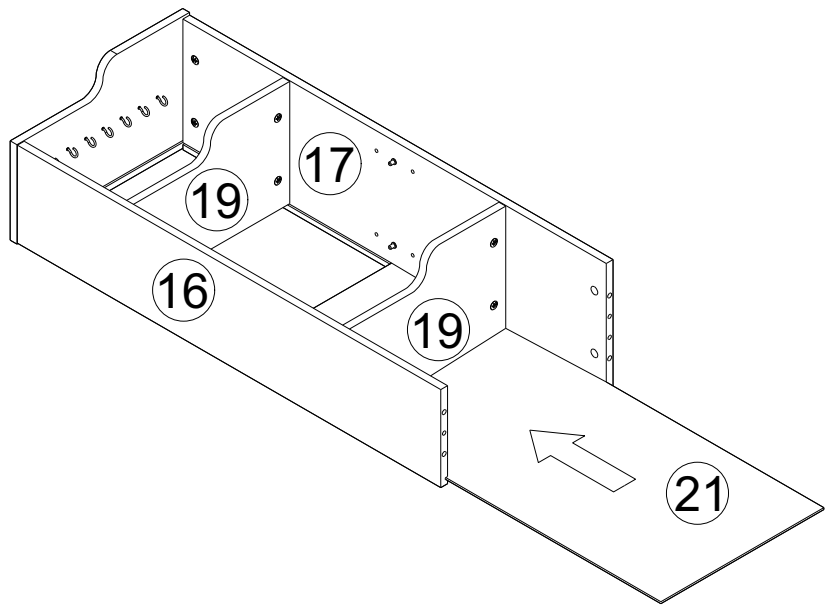
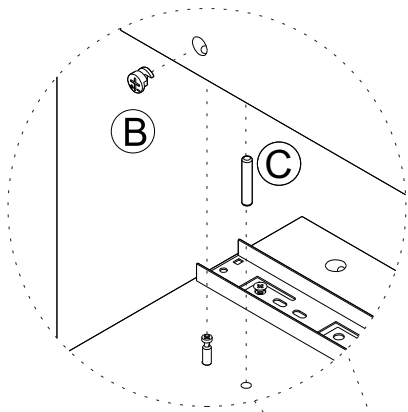
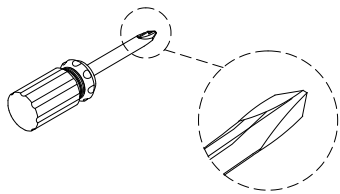
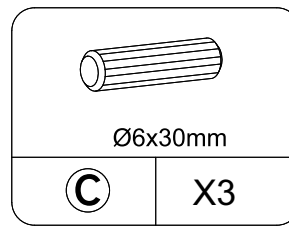
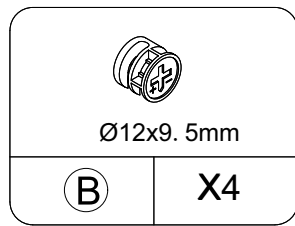


STEP 9

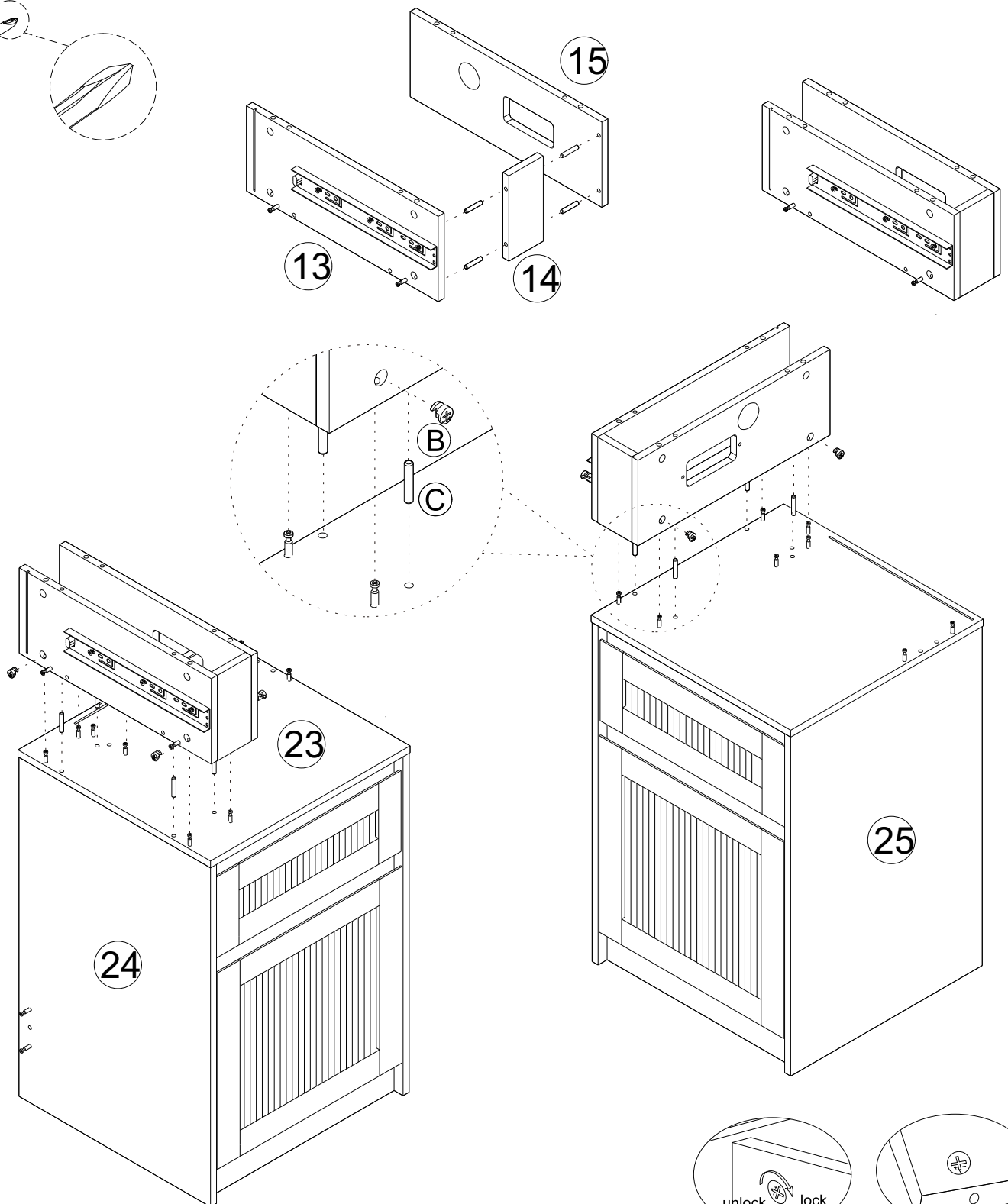
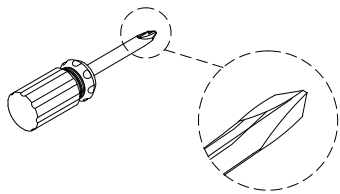
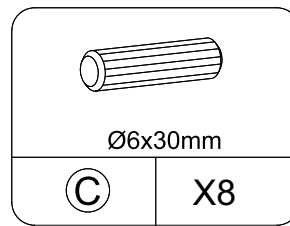
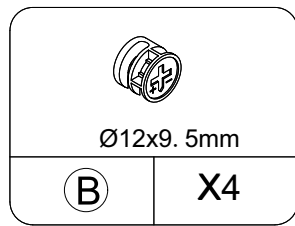


Proper Orientation of CAM LOCK

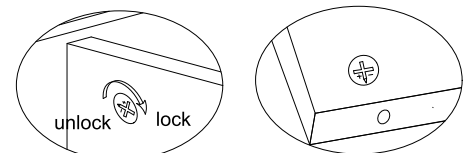
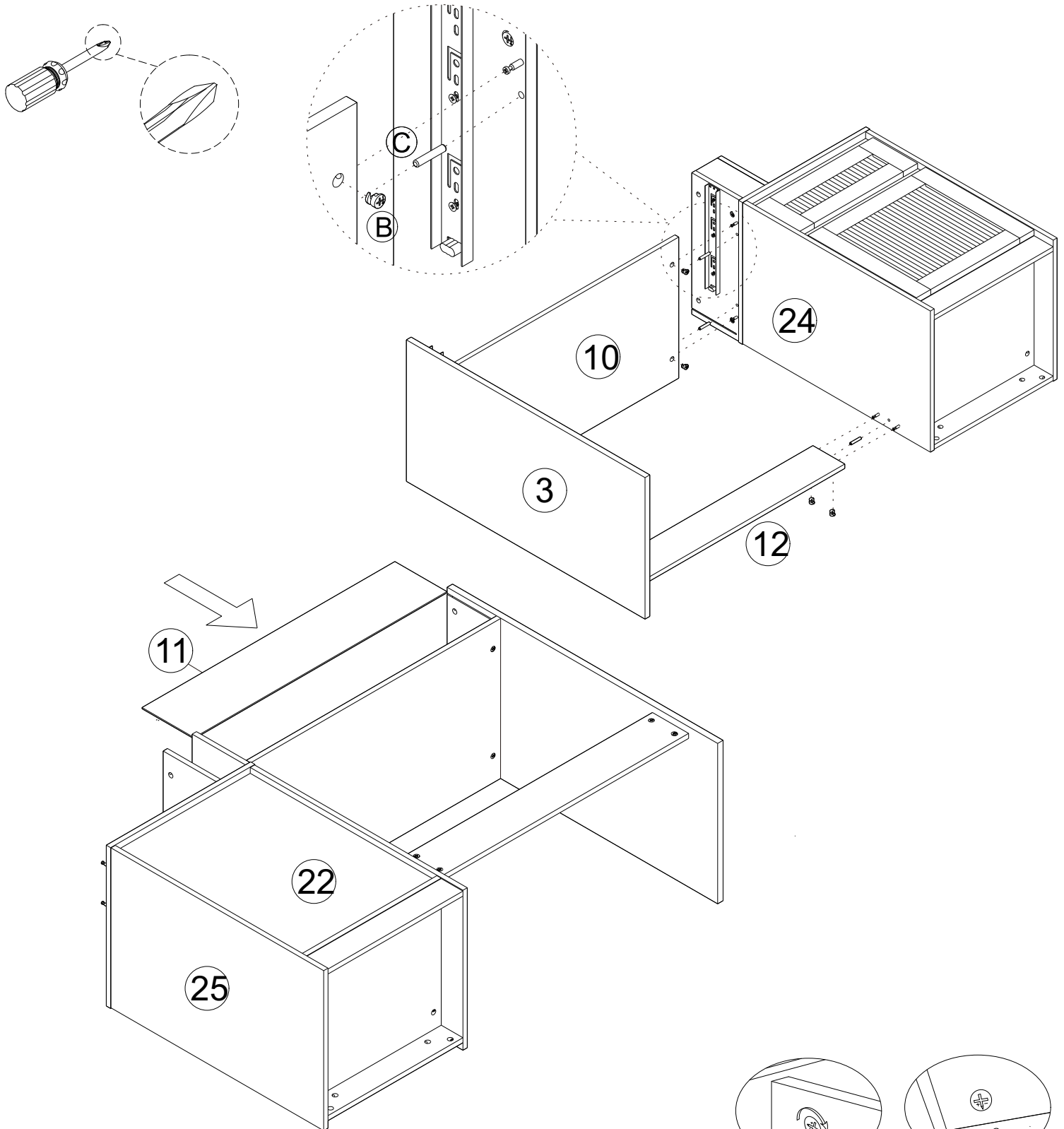
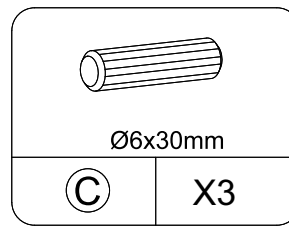
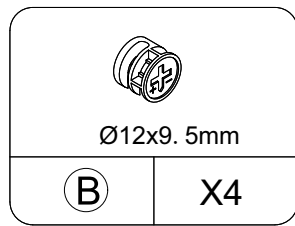
STEP 10



STEP 11

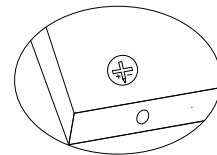
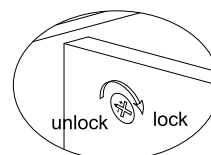
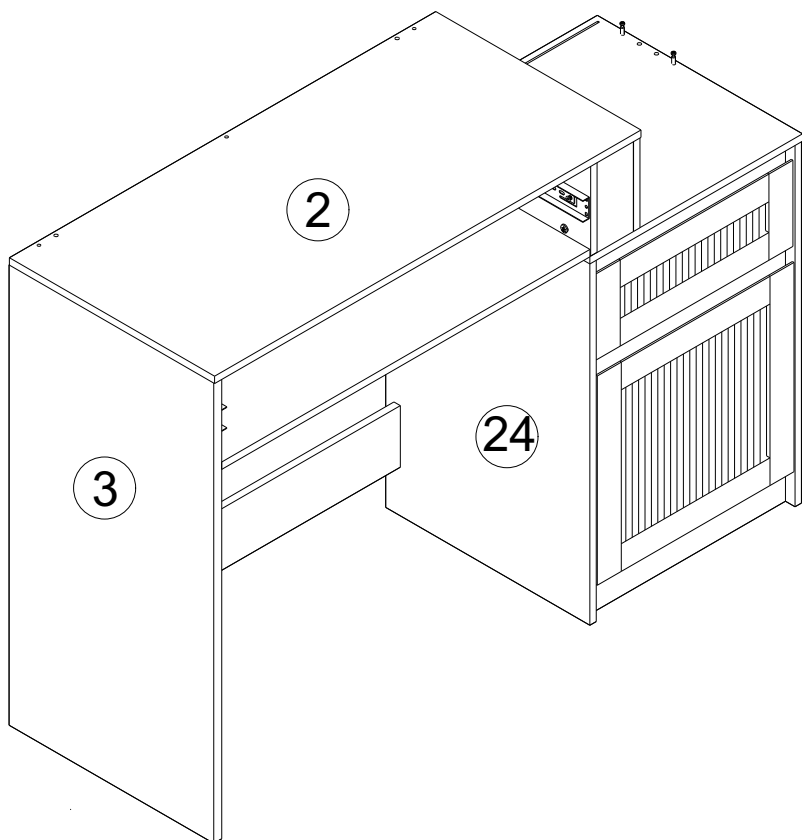
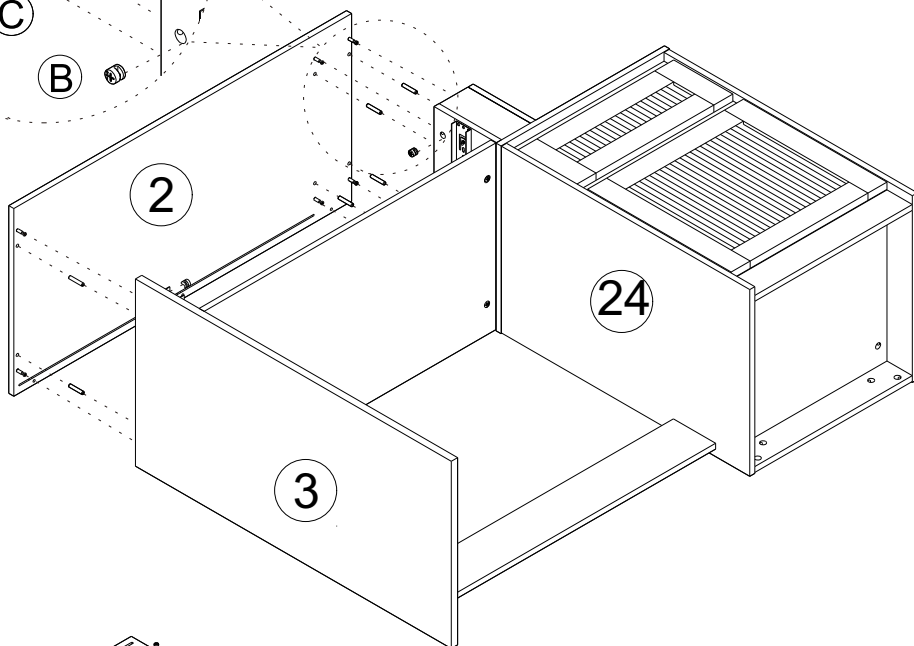
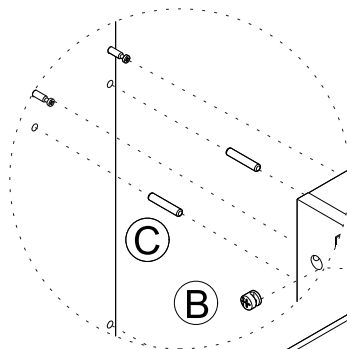
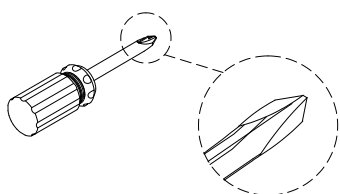
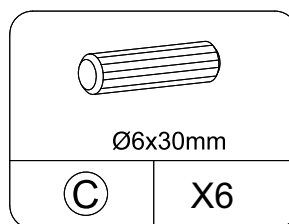
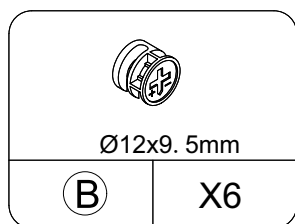


STEP 12



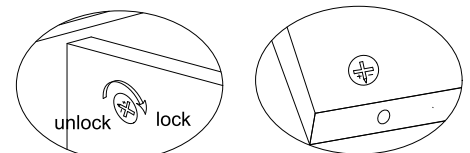
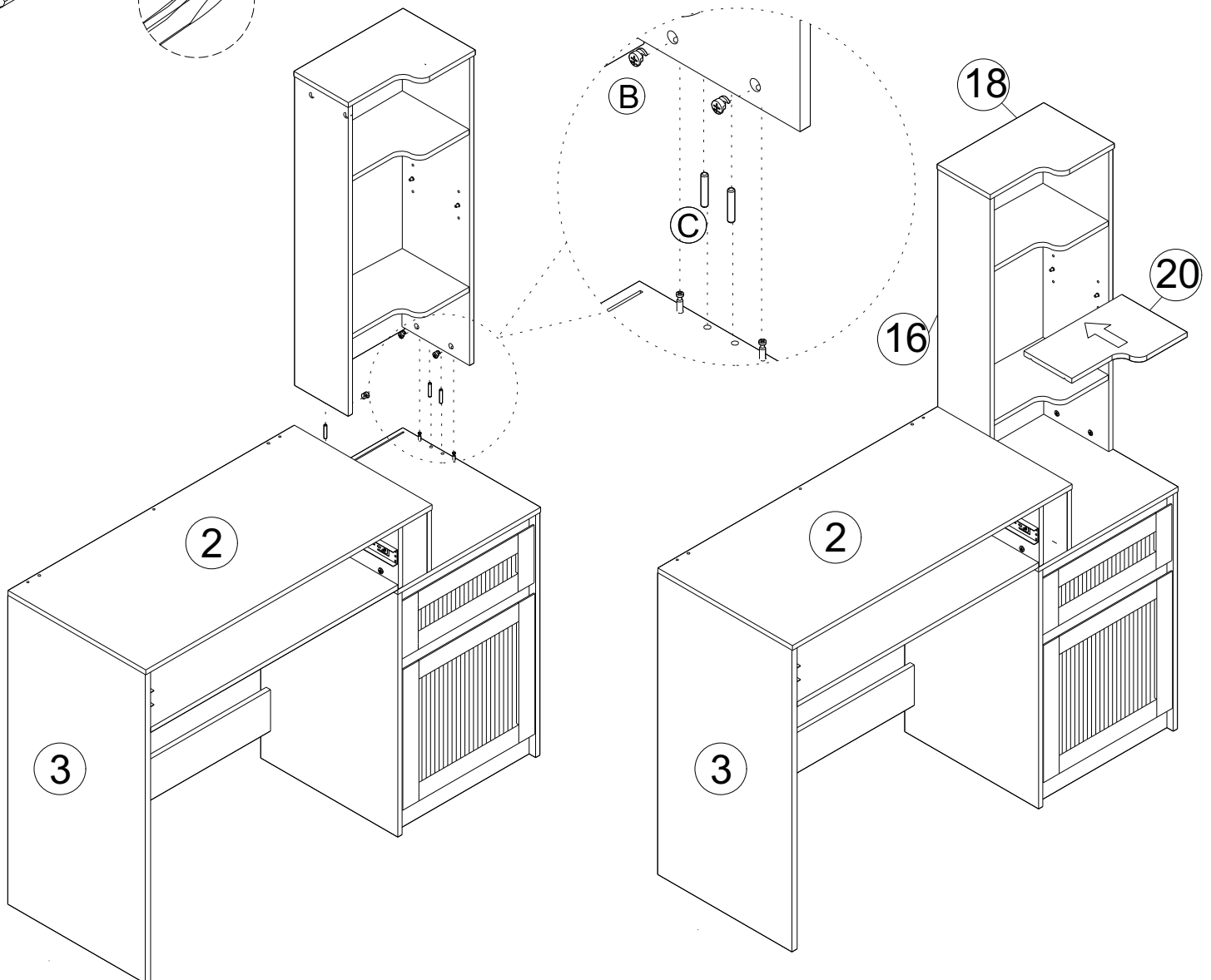
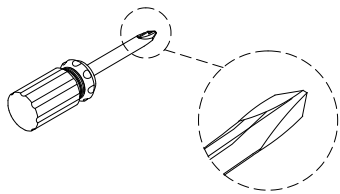
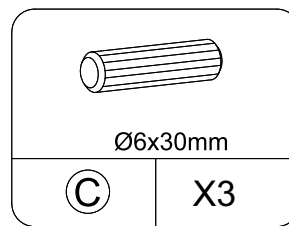
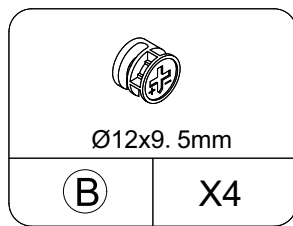
Proper Orientation of CAM LOCK

STEP13



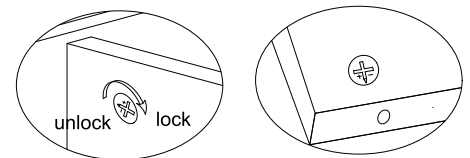
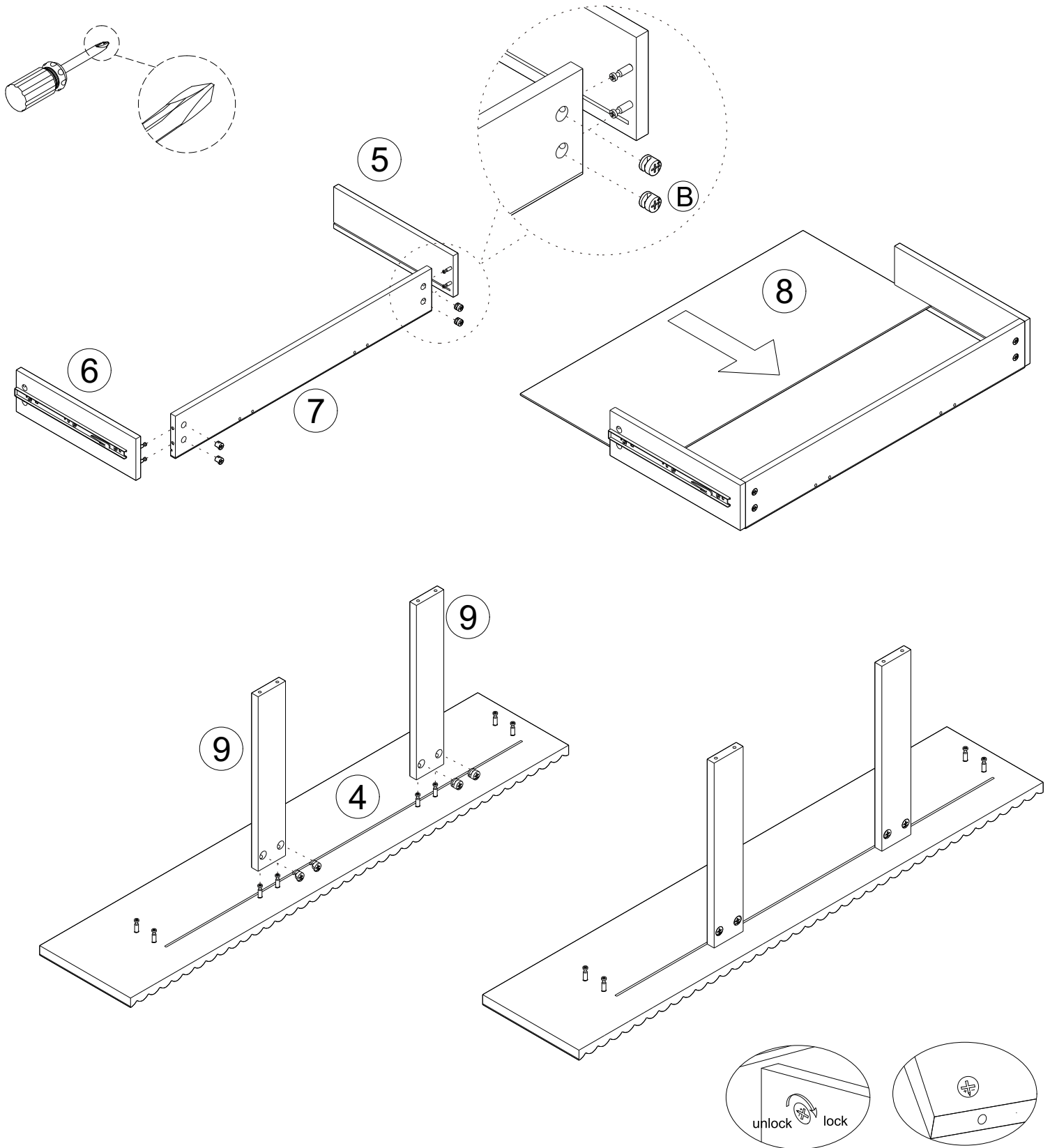
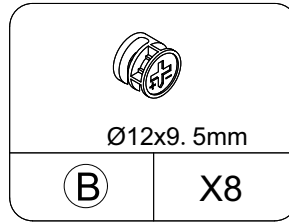
Proper Orientation of CAM LOCK

STEP 14



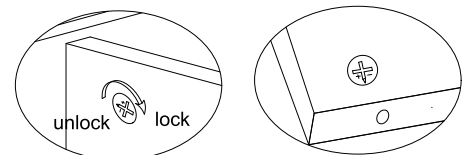
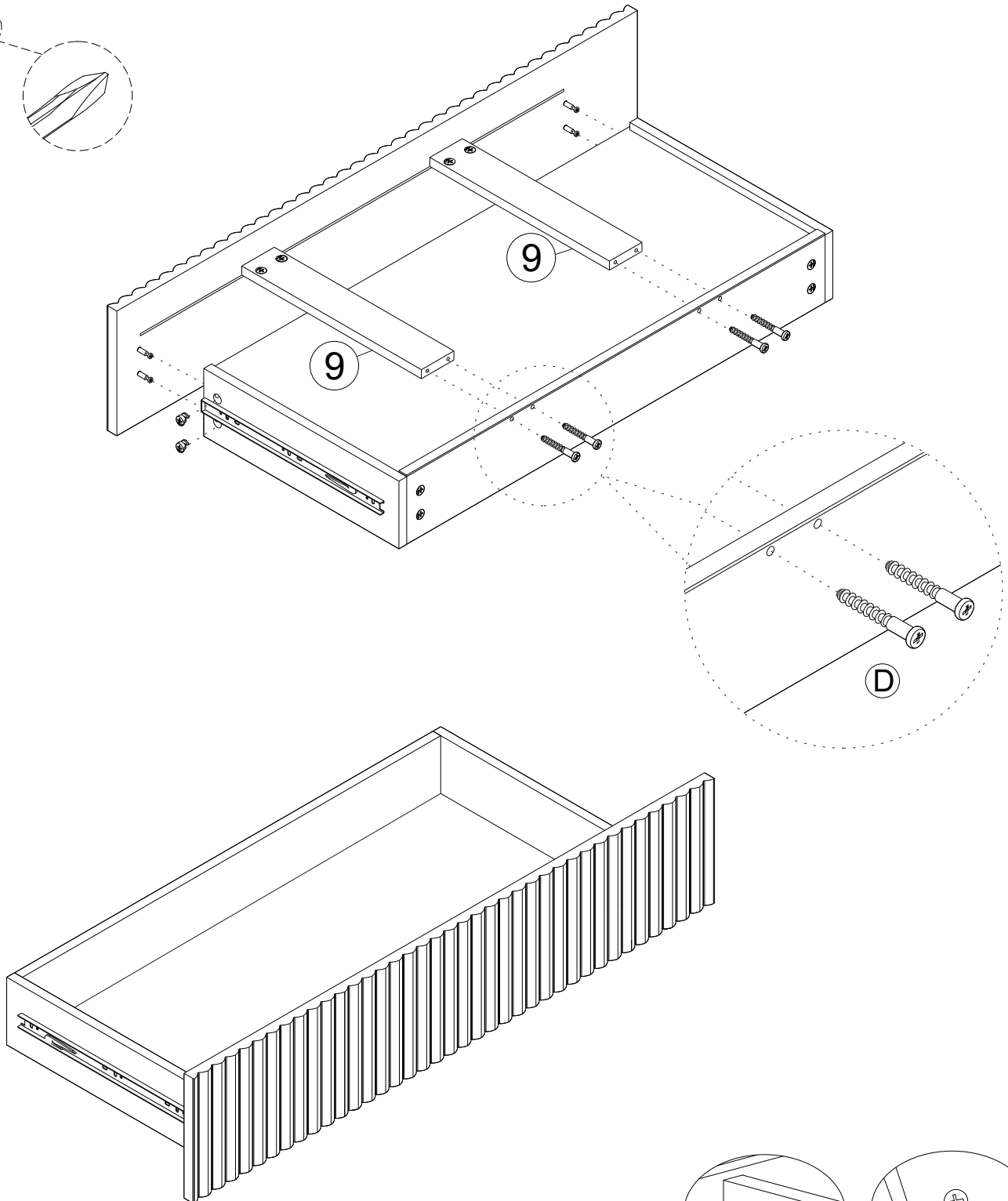
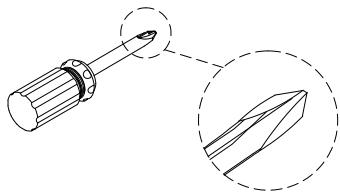
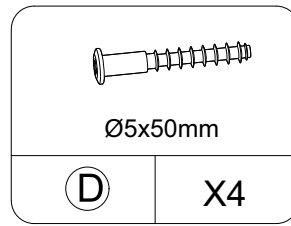
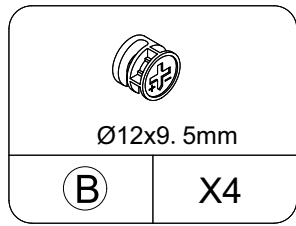
Proper Orientation of CAM LOCK

STEP 15

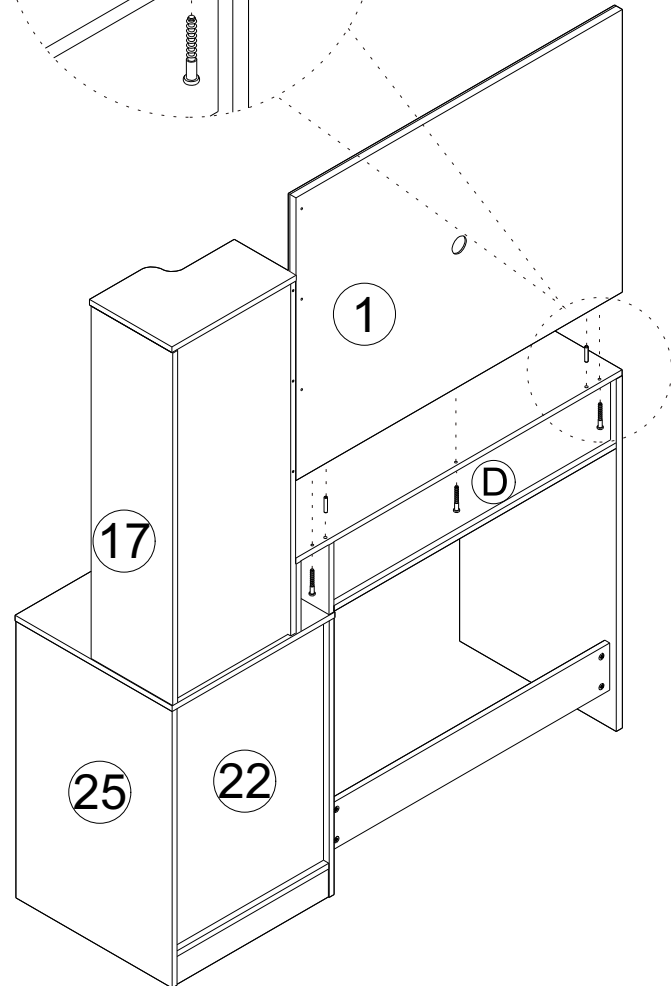
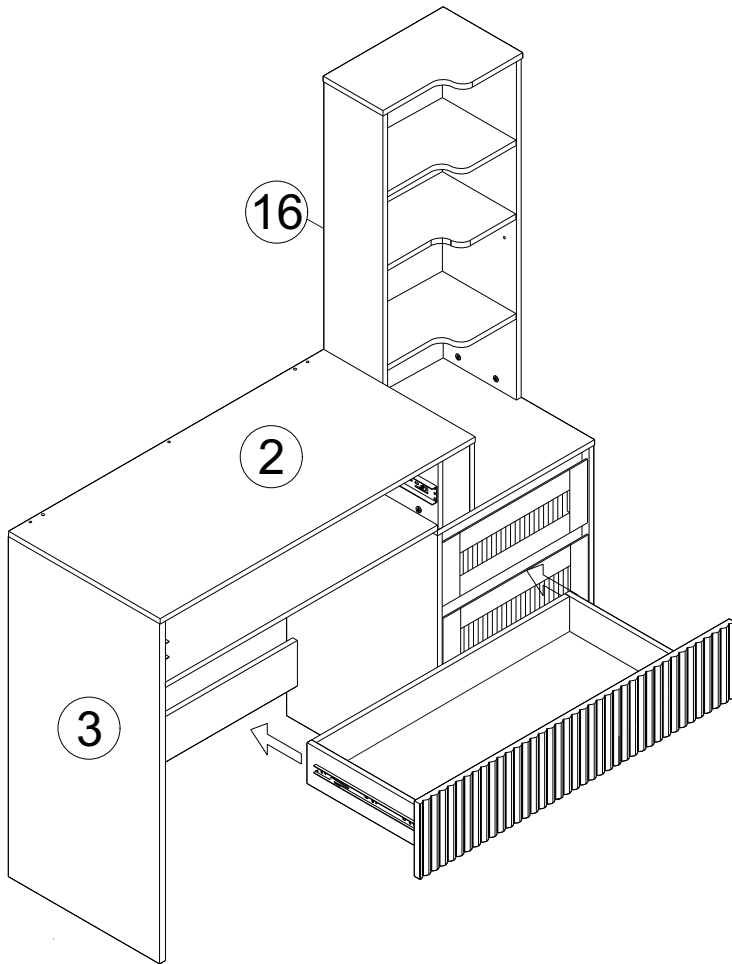
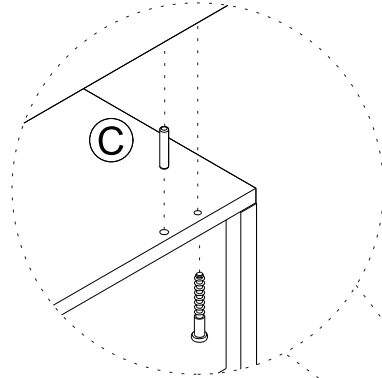
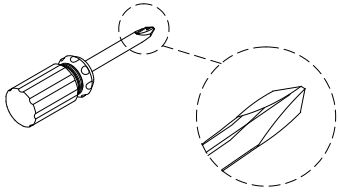
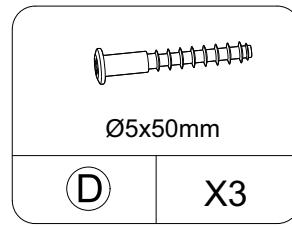
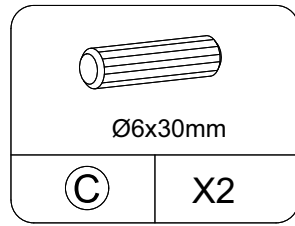


Proper Orientation of CAM LOCK

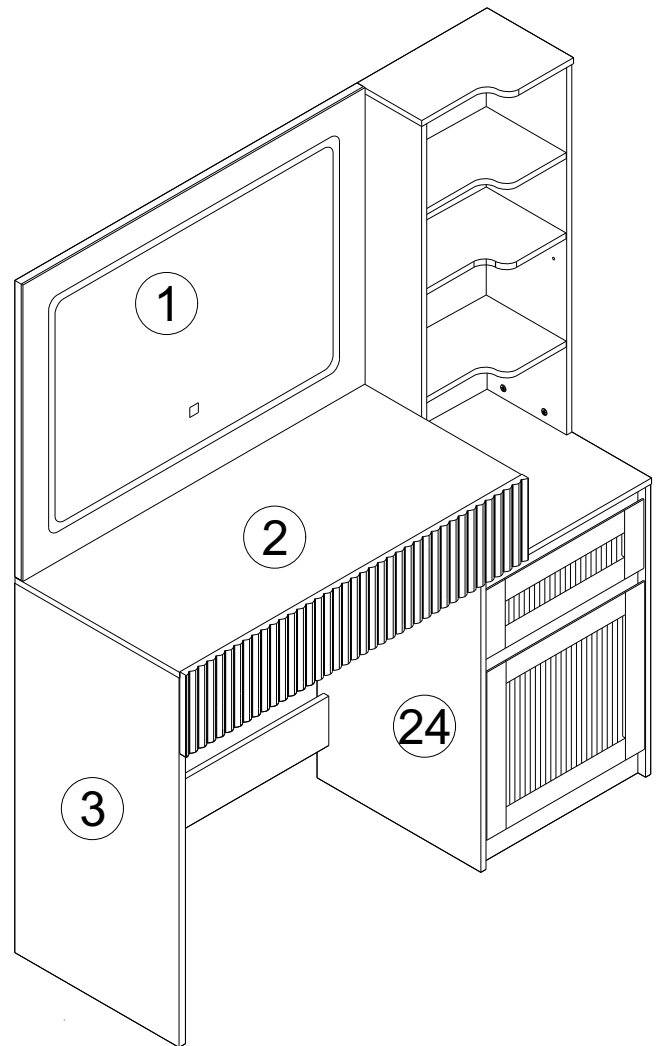
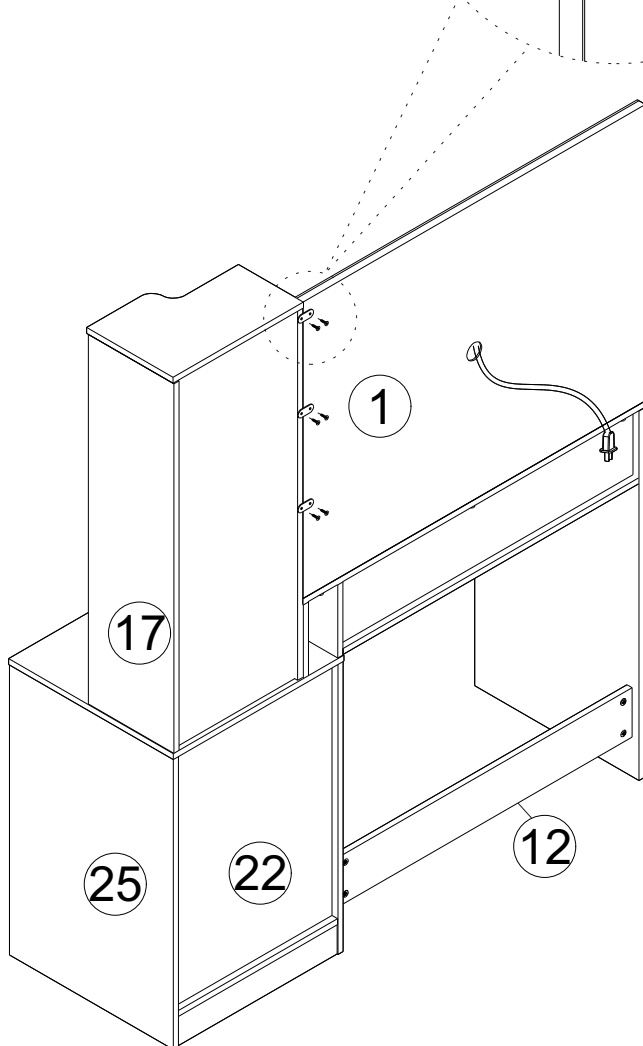
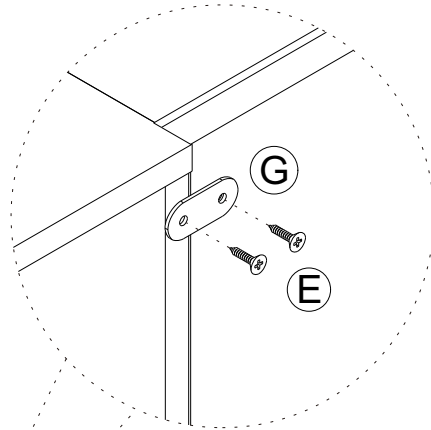
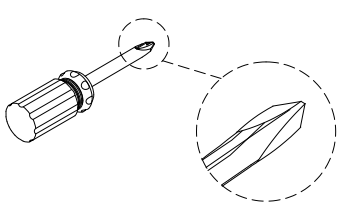
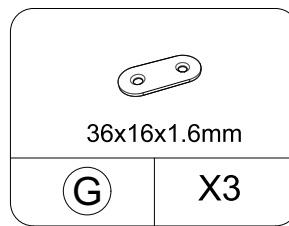
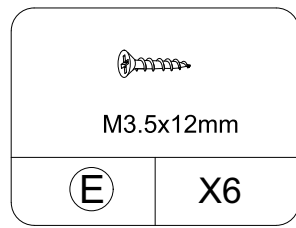
STEP 16



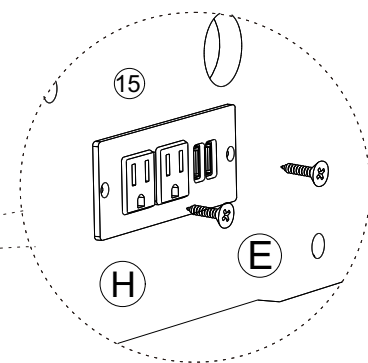
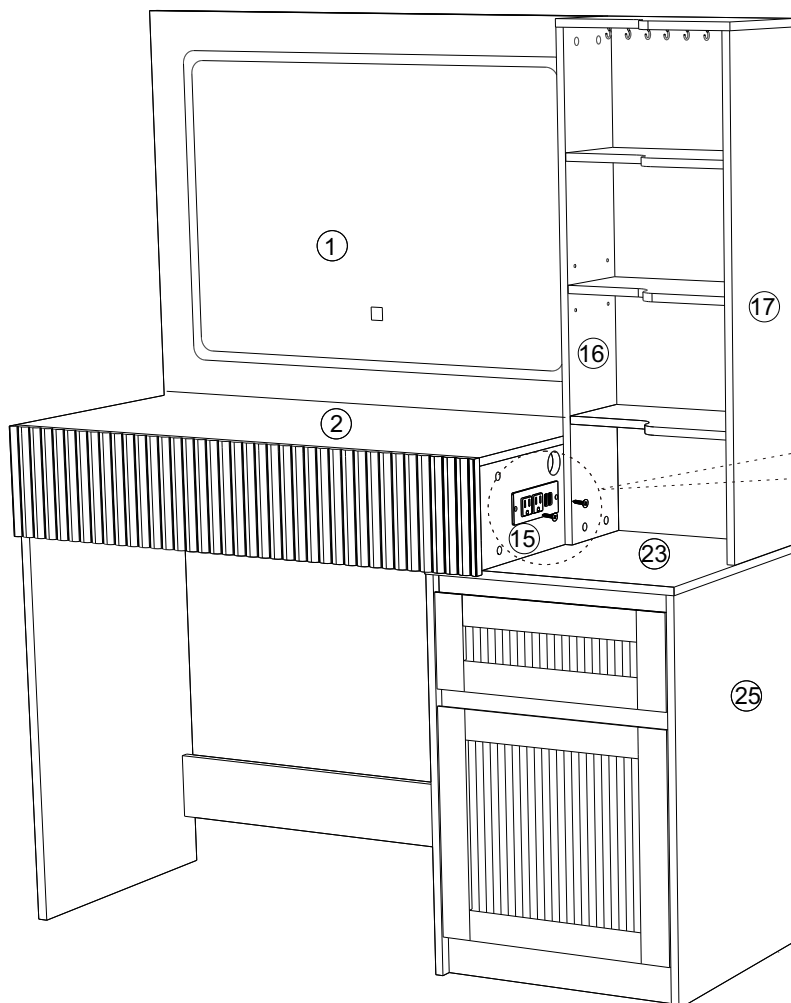
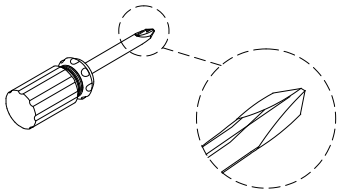
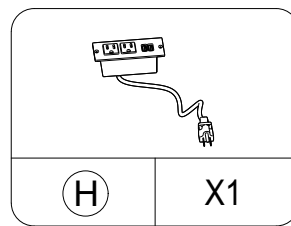
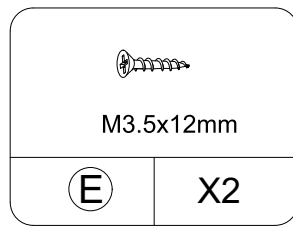
STEP 17



STEP18

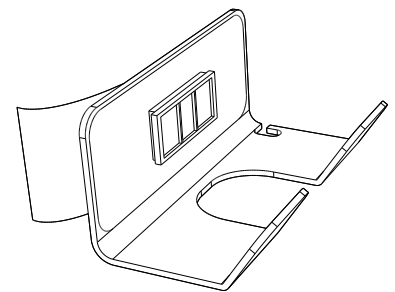
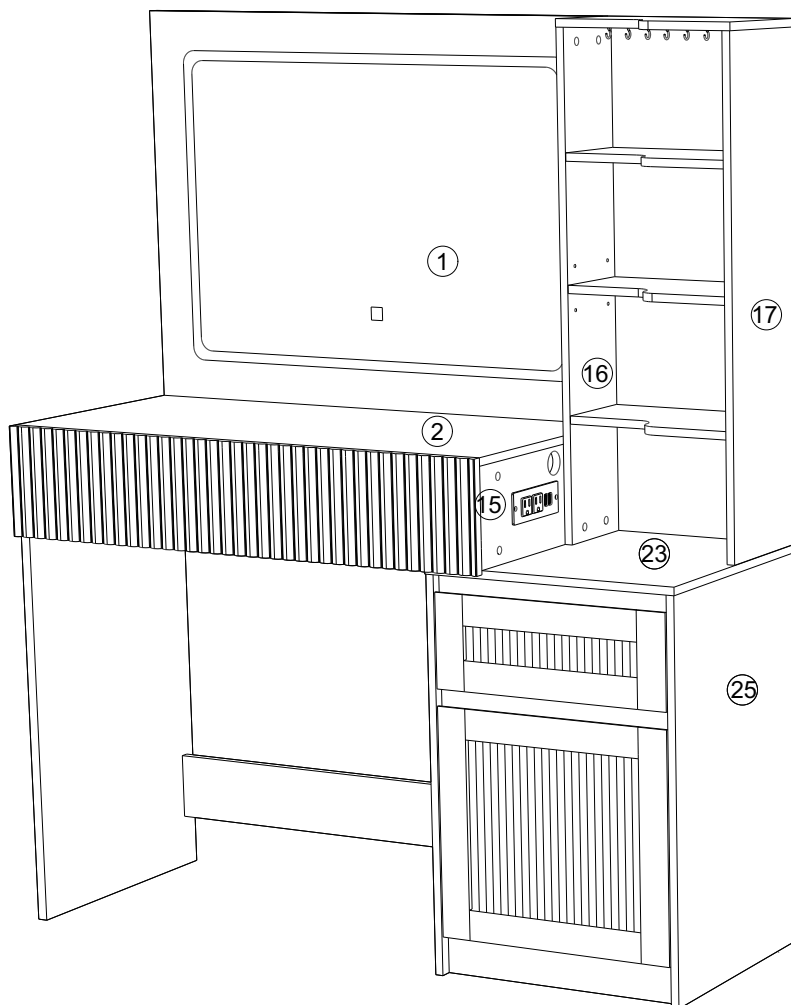
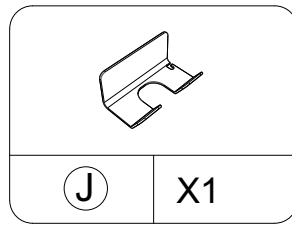


STEP19

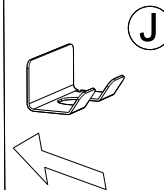


The power of using electrical appliances cannot exceed 1500W

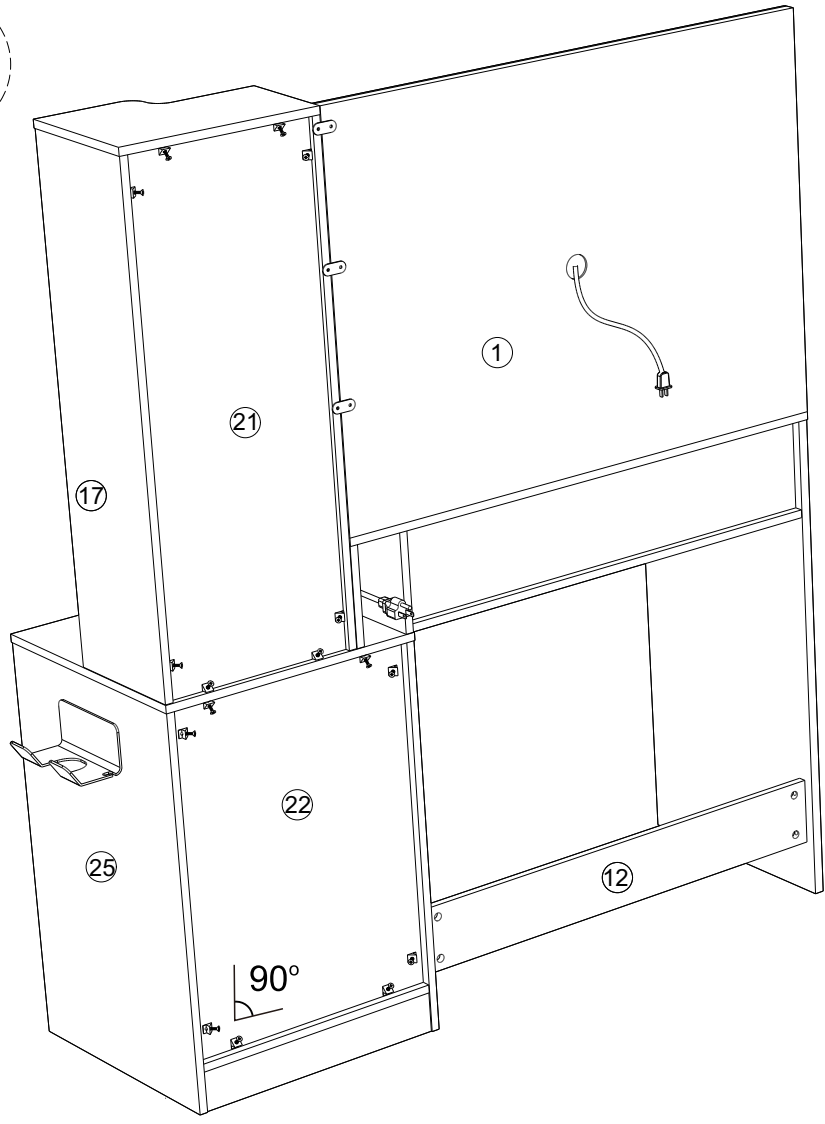
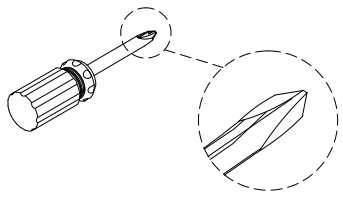
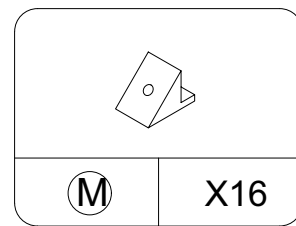
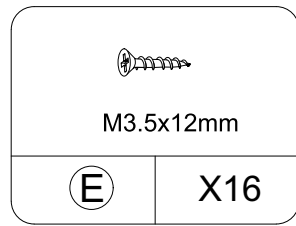
STEP20



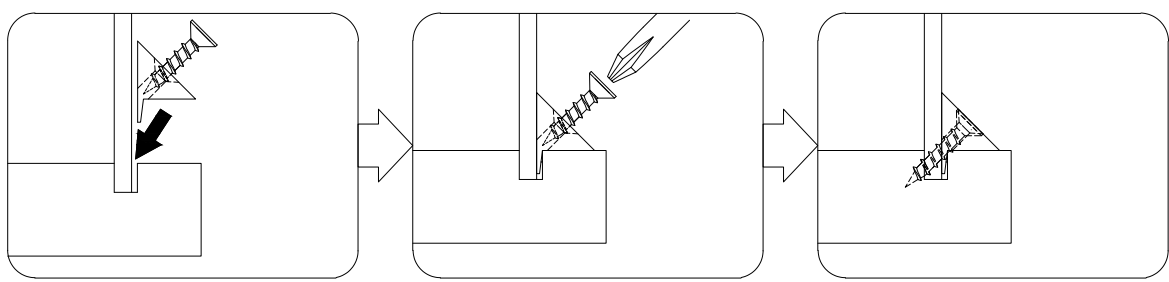
Remove the protective paper.



STEP21



Before attaching the back panel, °
be sure that the unit is at 90 .



WARNING



Children have died from furniture tipover. To reduce the risk of furniture tipover:

- ALWAYS install tipover restraint provided.
- NEVER put a TV on this product.
- NEVER allow children to stand, climb or hang on drawers, doors, or shelves.
- NEVER open more than one drawer at a time.
- Place heaviest items in the lowest drawers.
- Do not defeat or remove the drawer interlock system.

This is a permanent label.

Do not remove!

ATTENTION



Des enfants sont morts du basculement des meubles. Pour réduire le risque de basculement des meubles:

- TOUJOURS installer la retenue de basculement fournie.
- NE JAMAIS mettre de téléviseur sur ce produit.
- NE JAMAIS permettre aux enfants de se tenir debout, de grimper ou de s'accrocher à des tiroirs, des portes ou des étagères.
- N'ouvrez JAMAIS plus d'un tiroir à la fois.
- Placez les objets les plus lourds dans les tiroirs les plus bas.
- Ne désactivez pas et ne retirez pas le système de verrouillage du tiroir.

Ceci est une étiquette permanente.

Ne pas enlever!

WARNING



Kinder sind an einem Möbelkipp gestorben. So verringern Sie das Risiko eines Umkippens von Möbeln:

- Installieren Sie IMMER die mitgelieferte Kipprückhaltevorrichtung.
- Stellen Sie NIEMALS einen Fernseher an dieses Produkt.
- Lassen Sie Kinder NIEMALS an Schubladen, Türen oder Regalen stehen klettern oder hängen.
- Öffnen Sie NIEMALS mehr als eine Schublade gleichzeitig.
- Legen Sie schwerste Gegenstände in die untersten Schubladen.
- Besiegen oder entfernen Sie das Schubladenverriegelungssystem nicht.

Dies ist ein dauerhaftes Etikett.

Nicht entfernen!