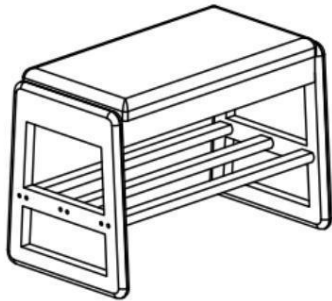


Installation Diagram

Specification name: Shoe Bench 60CM/23.62in

Note: (already installed) in the parts list and hardware list
It means it has been installed in the finished product and is not in the hardware package!



Parts List

No.	Name	Diagram	Specifications	Quantity
1	Panel		550*300*100MM	1
2	Bottom Pate		400*343*25MM	2
3	Middle vertical version		550*40*20MM	3

Hardware List

No.	Name	Diagram	Specification	Quantity
A	Flat head hexagon socket screw		M6*35MM	6
B	Flat Washer		M6* ϕ 13MM	6
C	Sountain Yarn		ϕ 7*50MM	12
D	Allen Wrench		4*22*60MM	1
E	Hinge (Installed)		70mm (Cleat 20, 110 degrees)	2

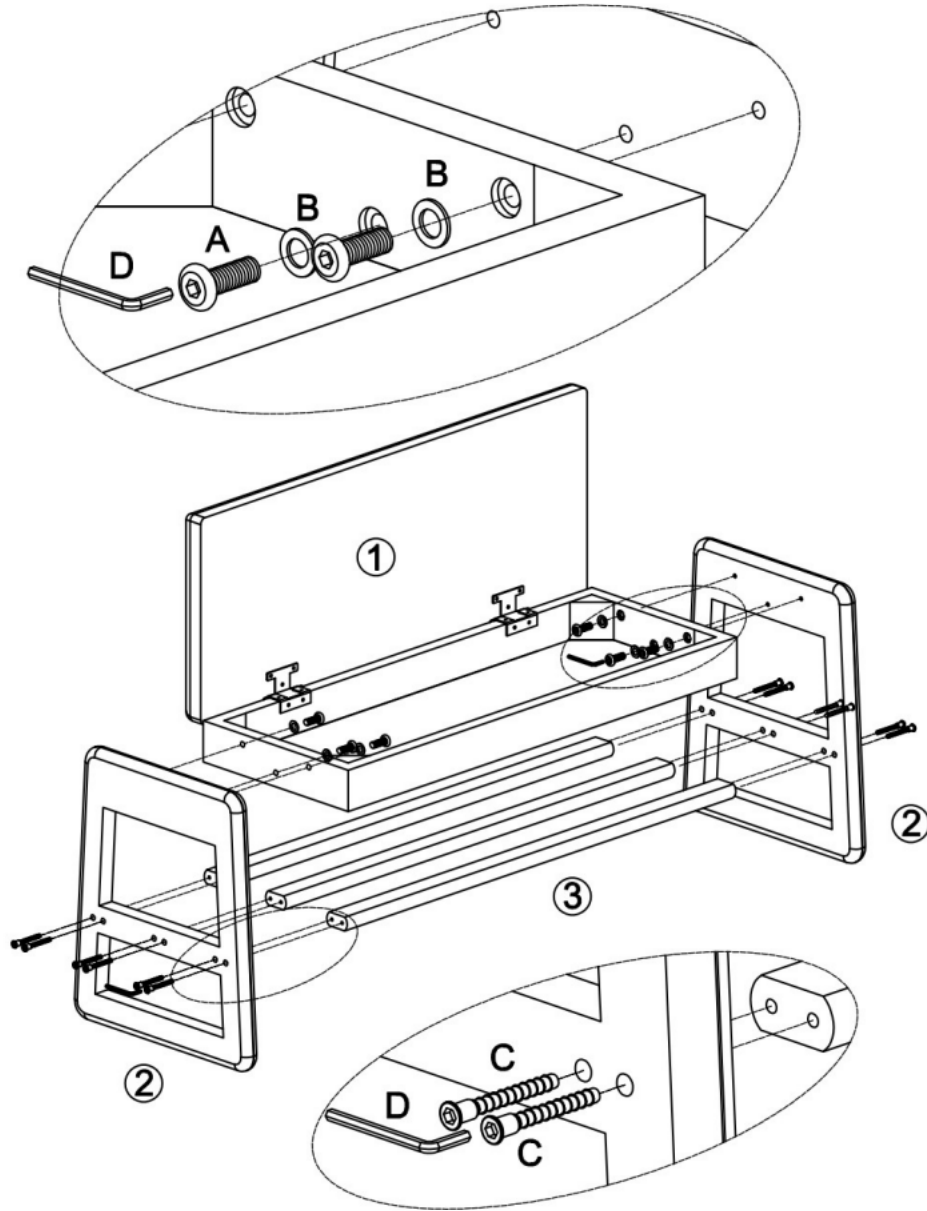


Quality inspector

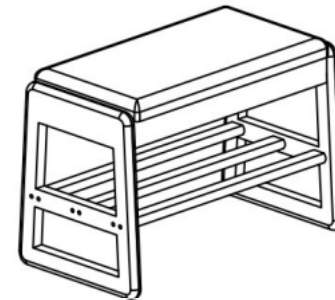
QC 02

Specification name: Shoe Bench /23.62inch

Step1:



Step2:



Note: After unpacking, please check the number of assembled parts as shown in the picture against the instructions first, and then assemble as shown in the picture. Connect the parts 1/2/3 with hardware A/B/C/D as shown in the picture.

Assembly complete.