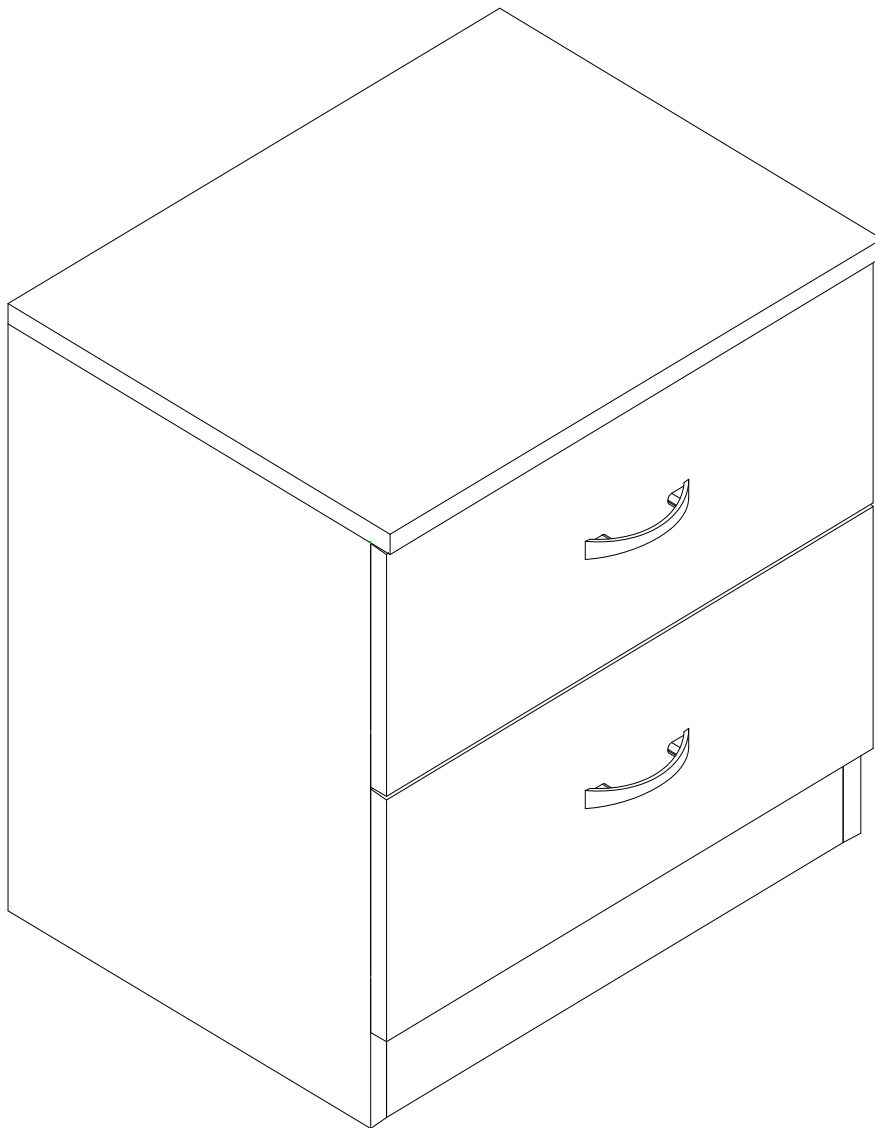


# Bedroom Furniture Set

## Drawer Bedside

ASSEMBLY INSTRUCTION - Please Keep for Future Reference



# Safety and Care Advice

## IMPORTANT - Please Read This Instruction Carefully Before Assembly.

- Check you have all the components and tools listed on page 3.

- Remove all settings from the plastic bags and separate them into their groups.

- Keep children and animals away from the work area, small parts could choke if swallowed.

- Make sure you have enough space to layout the parts before assembly.

- Do not stand or put weight on the product, this could cause damage.

- Assemble the item as close to it's intended position (in the same room) as possible.

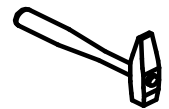
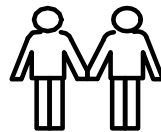
- Assemble on a soft level surface to avoid damaging the unit.

- Parts of the assembly will be easier with 2 people.



- Do not use power drill/drivers for assembly, or the unit may be damaged.

- Dispose of all packaging carefully and responsibly.



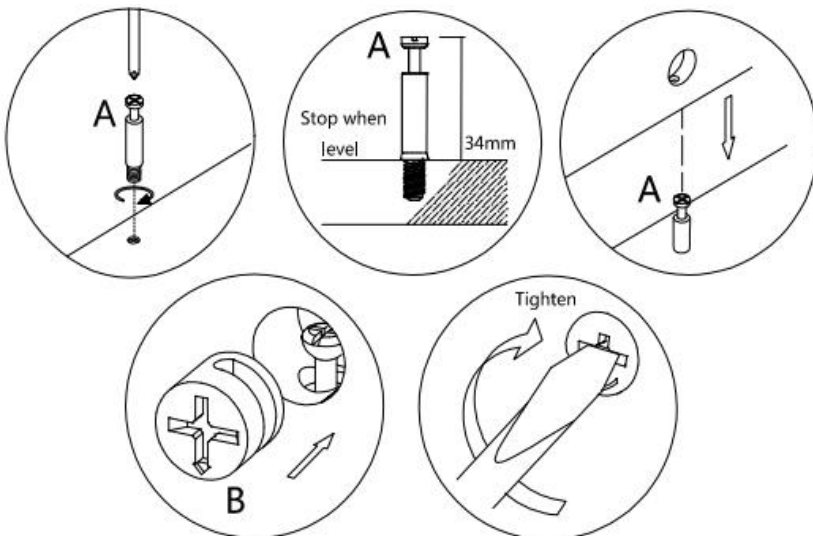
## CARE and MAINTENANCE

- Only clean using a damp cloth and mild detergent, do not use bleach or abrasive cleaners.

- From time to time check that there are no loose screws on this unit.

- This product should not be discarded with household waste. Take to your local authority waste disposal center.

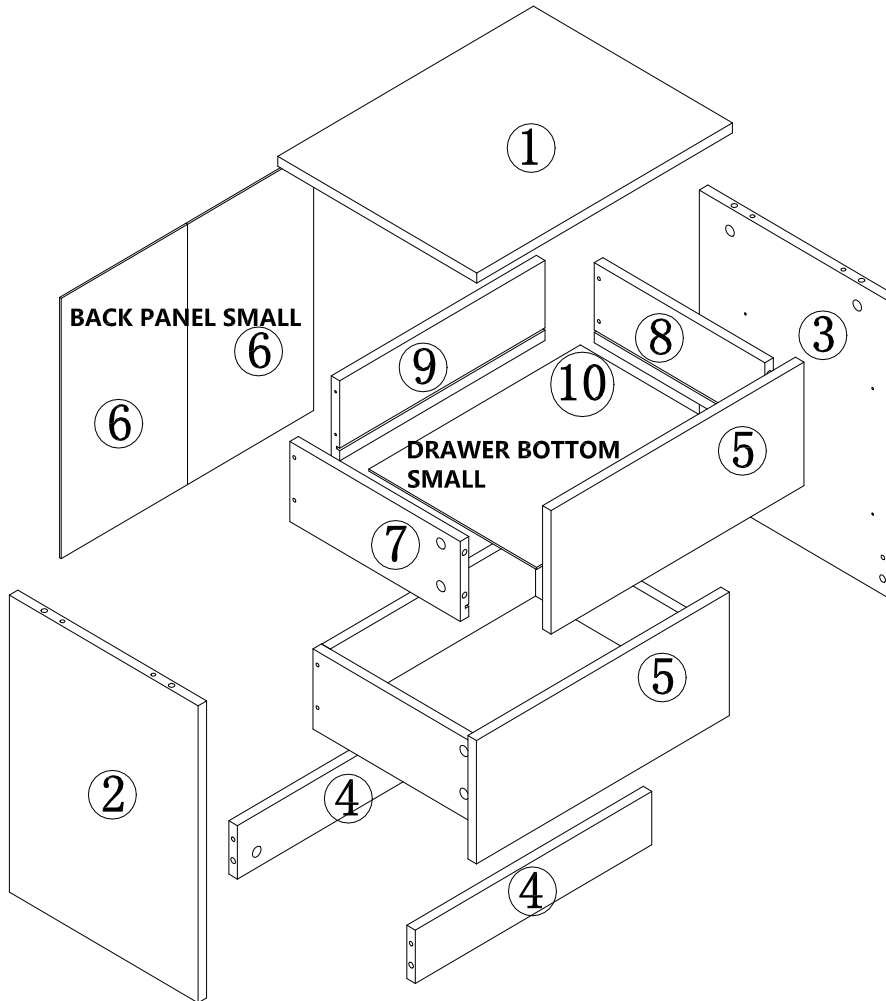
## General Hints & Tips

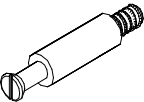
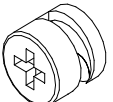
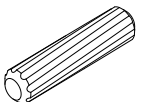

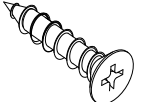
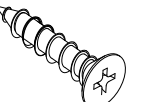
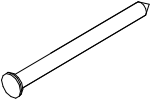

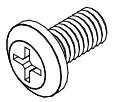
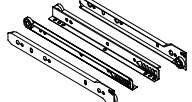


# Components and Tools

**IMPORTANT - Please Check If You Have All The Components and Tools.**

Note: The quantities below are the correct amount to complete the assembly. In some cases more pieces may be supplied than are required.

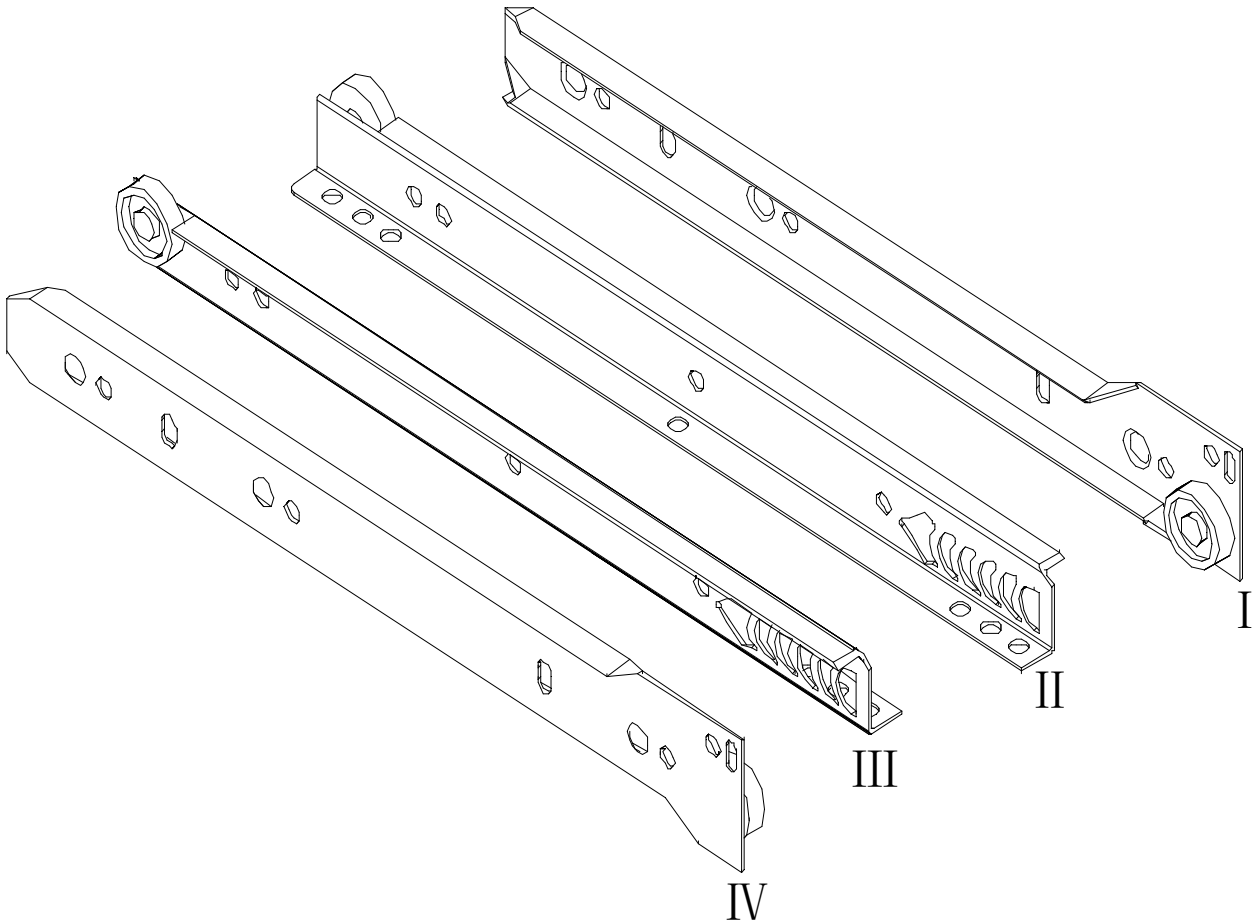


A=16  Peg M6X34mm	B=16  Lock M15X12mm	C=8  Dowel M6X30mm	D=2  Handle	E=20  Screw M3.5X14mm	F=8  Screw M4.7X38mm
G=18  Pin	H=4  Plastic Feet	I=4  Screw M4X18mm	J=2  Drawer Runner		

# Drawer Runner Instruction

**IMPORTANT - Please Read It Carefully.**

**NOTE: 1 PAIR DRAWER RUNNER INCLUDES 4 PIECES.**



<p>I Outer Drawer Runner - Right</p>	
<p>II Inner Drawer Runner - Right</p>	
<p>III Outer Drawer Runner - Left</p>	
<p>IV Inner Drawer Runner - Left</p>	

# Assembly Instruction

## Step 1

- Fix the pegs to panel 2
- Hammer dowels to the top edge of panel 2
- Attach outer drawer runners to panel 2

A=2

C=2



Peg

Dowel

E=4

J=2

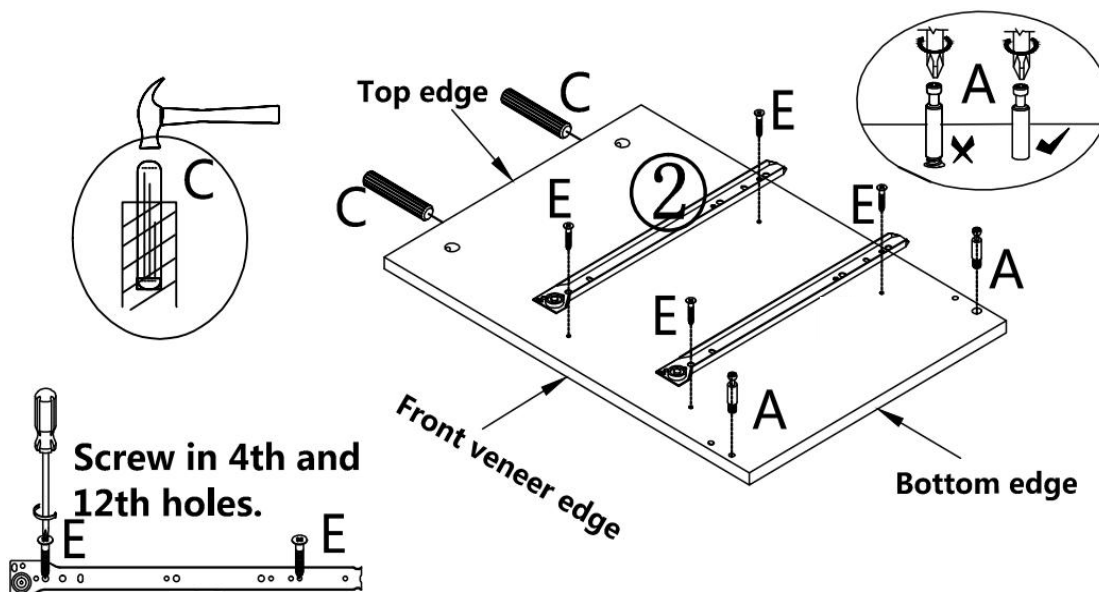


Screw

Outer - Left

## ✳️Assembly Details

When attaching Outer Drawer Runners, please make sure flat edge of outer drawer runners facing towards veneer edge and roller wheel is facing down towards bottom edge



## Step 2

- Fix the pegs to panel 3
- Hammer dowels to the top edge of panel 3
- Attach outer drawer runners to panel 3

A=2

C=2



Peg

Dowel

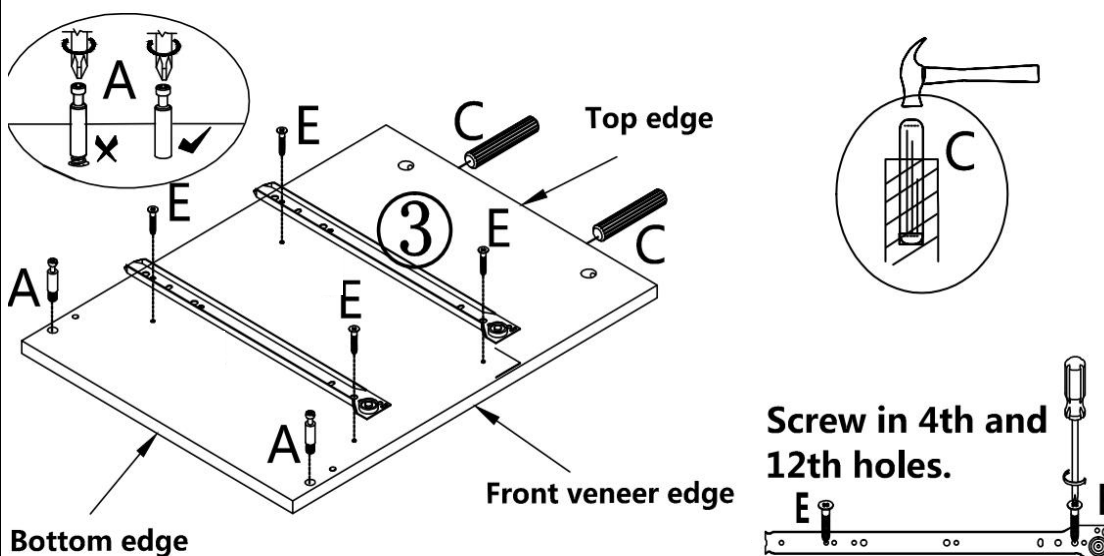
E=4

J=2



Screw

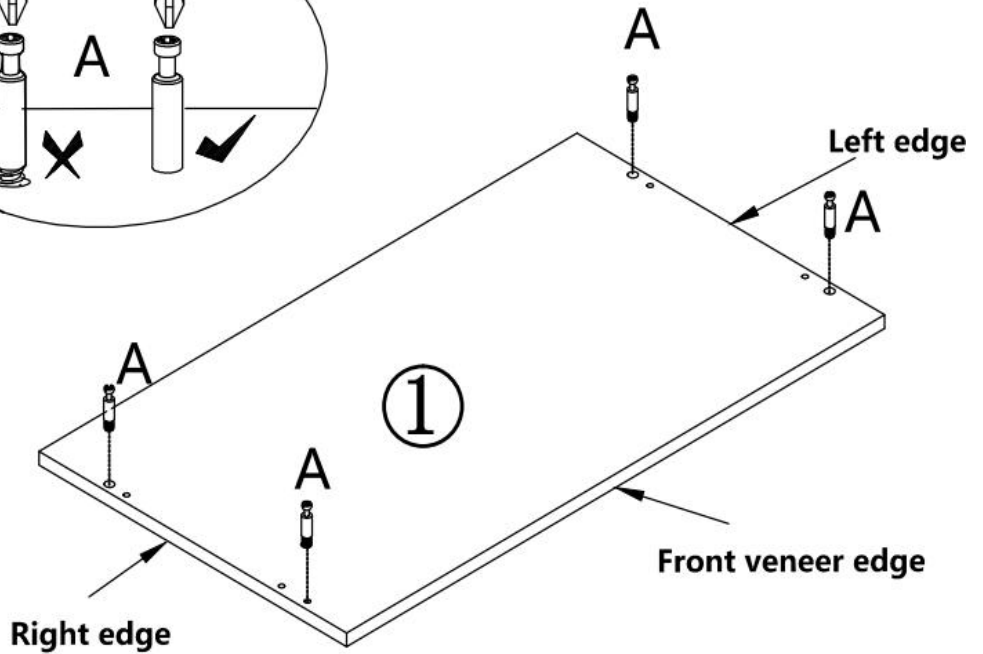
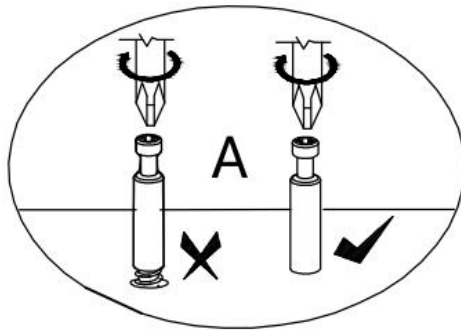
Outer - Right



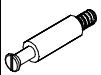
# Assembly Instruction

## Step 3

•Fix the pegs to panel 1



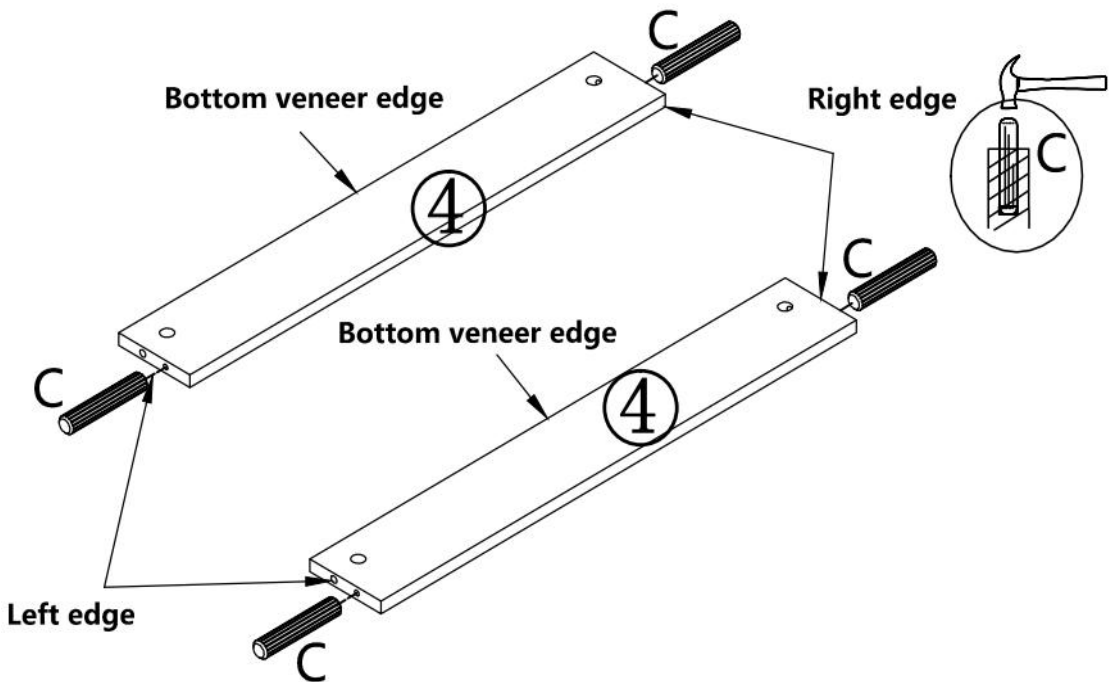
A=4



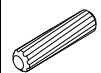
Peg

## Step 4

•Hammer dowels to the left and right edge of panels 4



C=4



Dowel

# Assembly Instruction

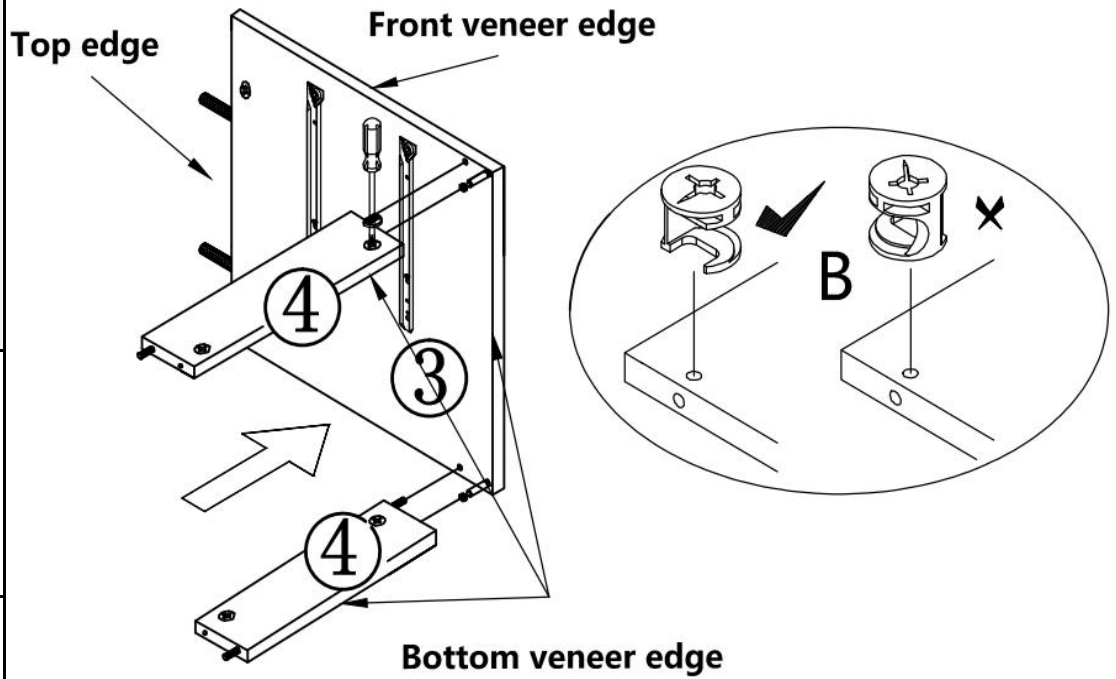
## Step 5

•Connect panel 4 to panel 3 with locks

B=2



Lock



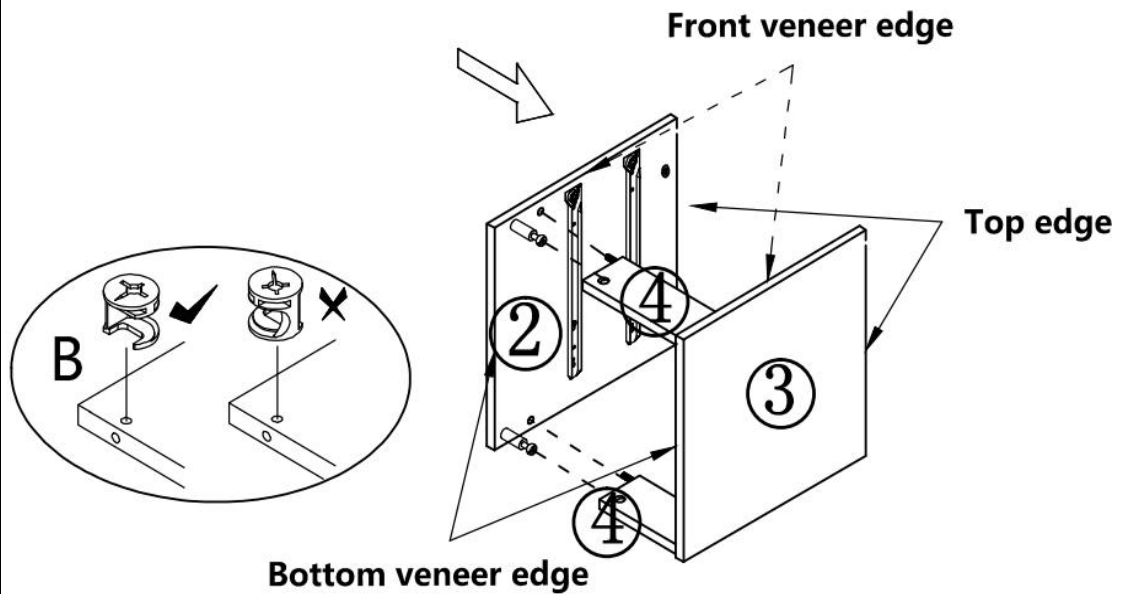
## Step 6

•Connect panel 4 to panel 2 with locks

B=2



Lock



# Assembly Instruction

## Step 7

- Connect panel 1 to panels 2+3 with locks
- Insert plastic feet to the bottom of the panels 2+3

B=4

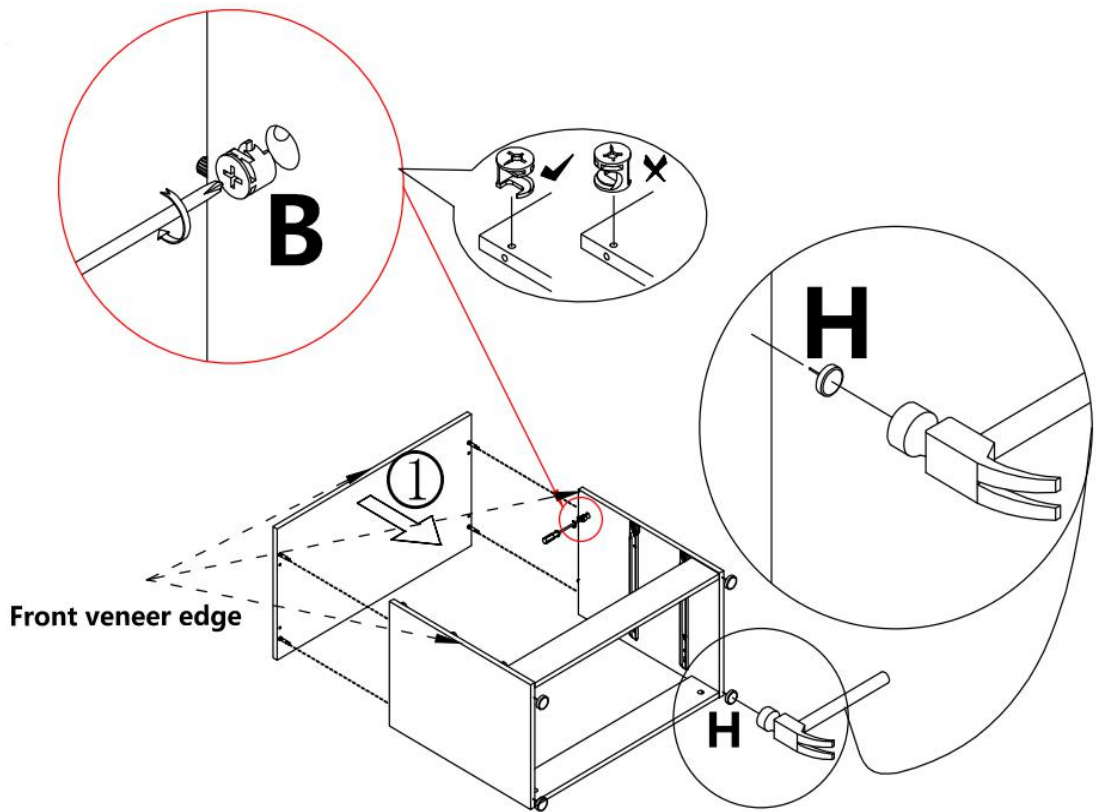
H=4



Lock



Plastic Feet

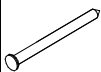


Front veneer edge

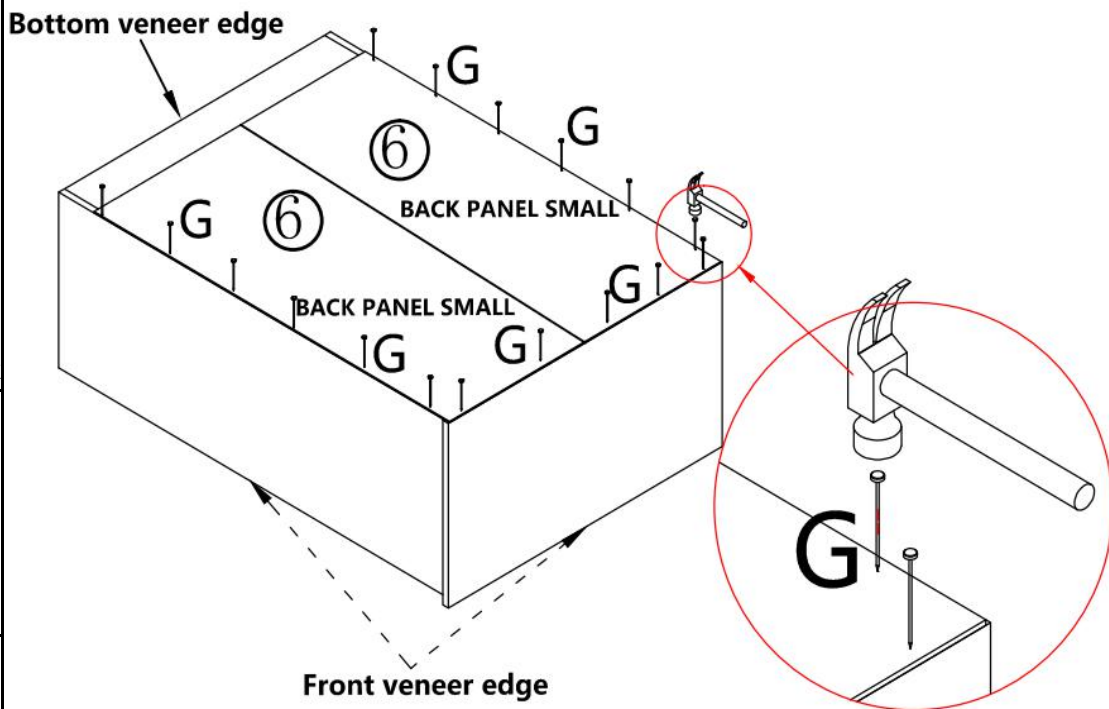
## Step 8

- Fix the backs 6 to the back of the unit
- Gently Hammer pins as shown
- Note: Make sure unit is square before fix the back

G=18



Pin



Bottom veneer edge

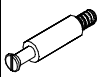
Front veneer edge

# Assembly Instruction

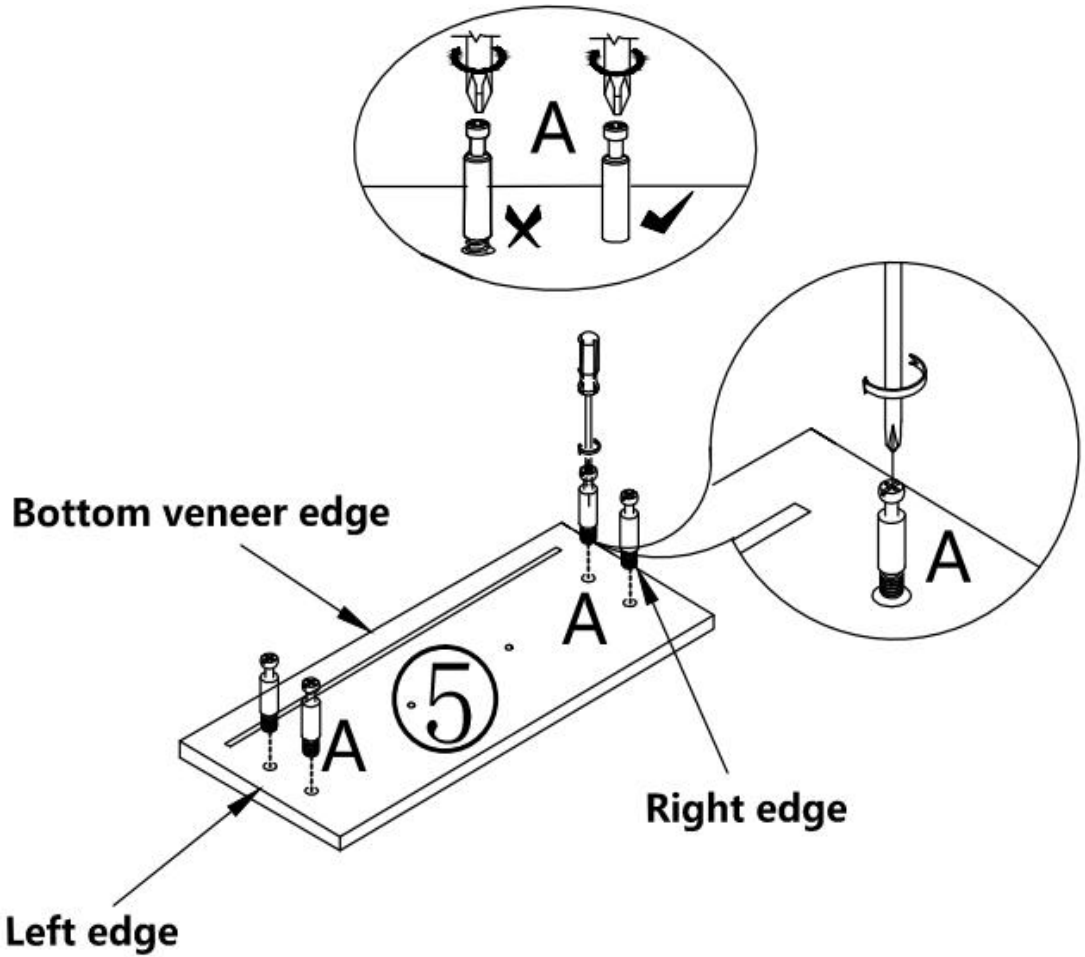
## Step 9

•Fix pegs to panels 5

A=8



Peg



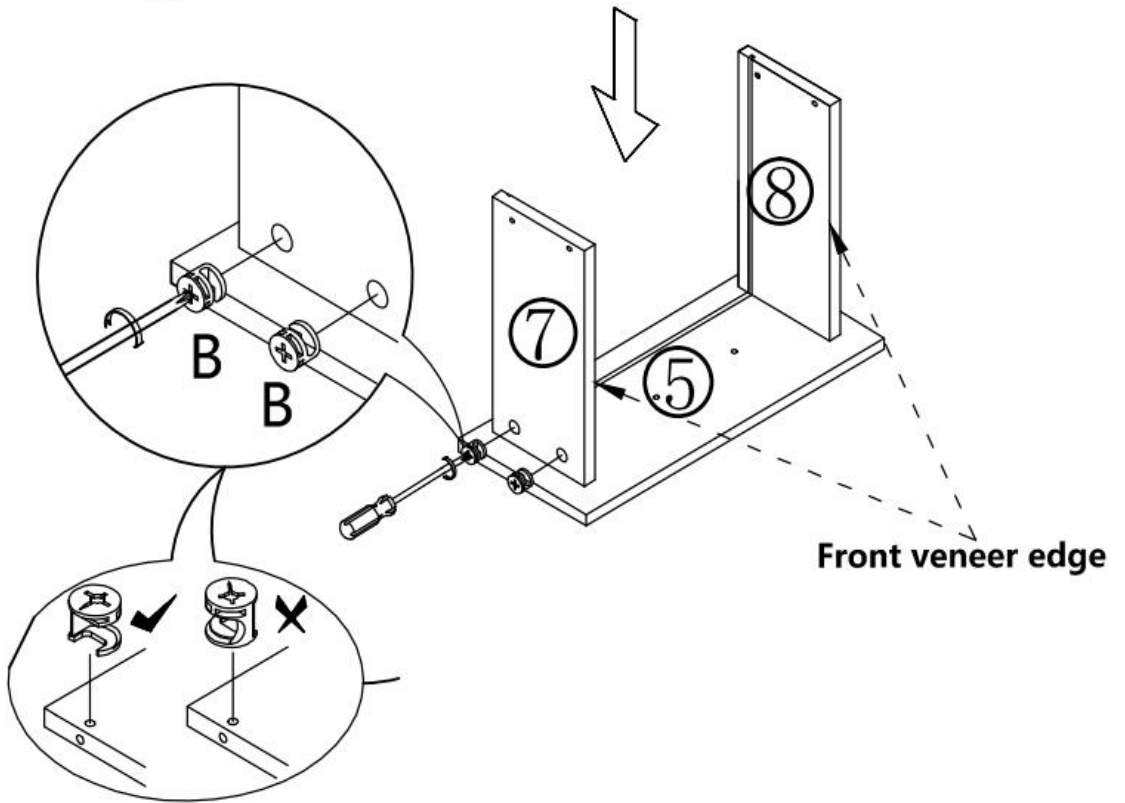
## Step 10

•Fix panels 7+8 to panel 5 with locks

B=8



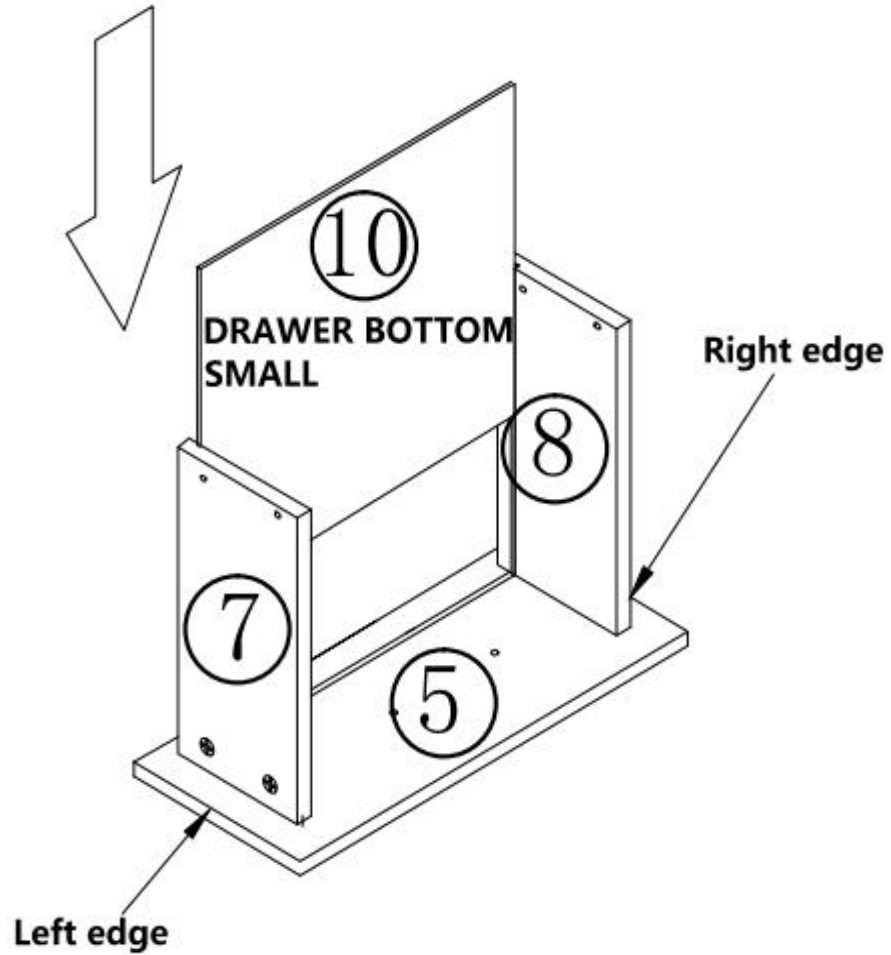
Lock



# Assembly Instruction

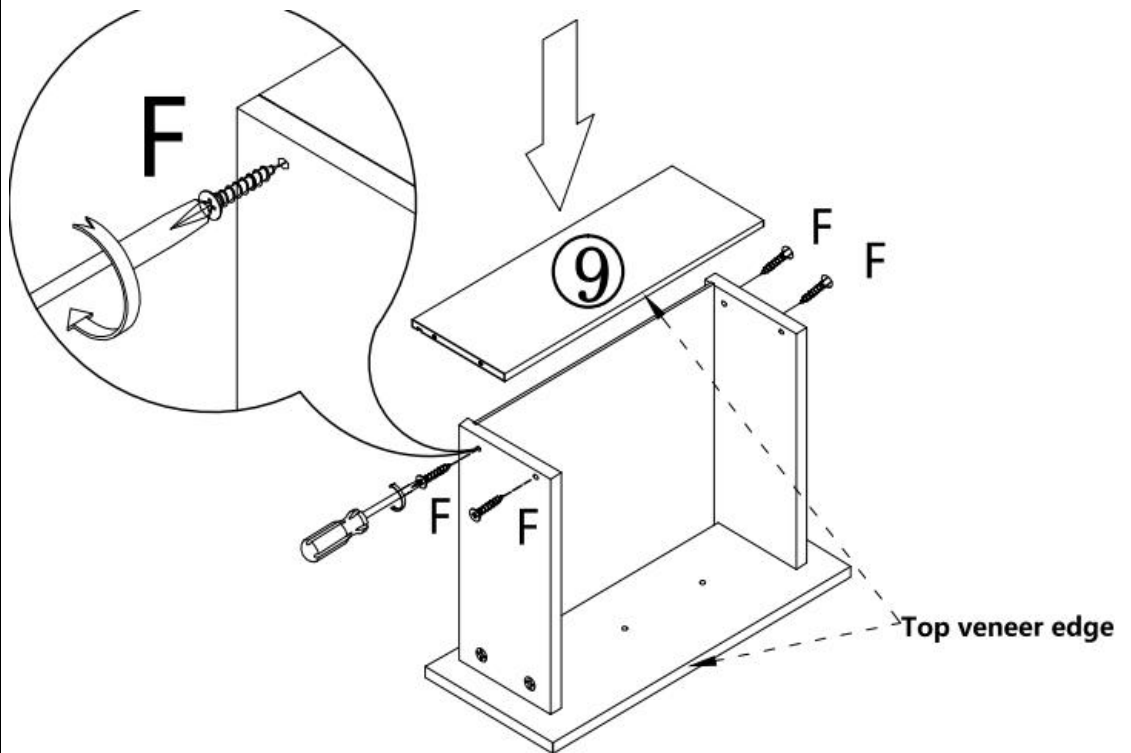
## Step 11

•Slide the drawer bottom 10 into the grooves of drawer sides

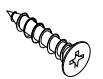


## Step 12

•Fix panels 9 to connect panels 7+8 with screws



F=8



Screw

# Assembly Instruction

## Step 13

- Fix handles to panels 5 with screws
- Attach inner runners to all the drawers

## ✳️Assembly Details

Please turn the drawers upside down to attach the runners and make sure the runner wheels go at the BACK of the drawers, failure to assemble correct way will misaligned the drawers.

D=2

E=8



Handle

Screw

I=4

J=2



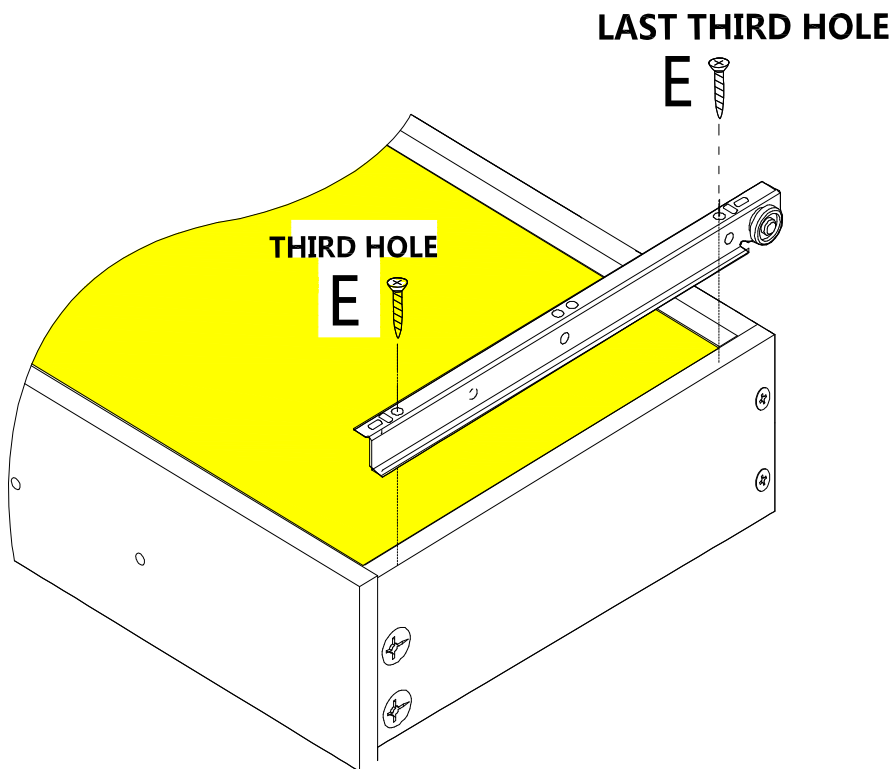
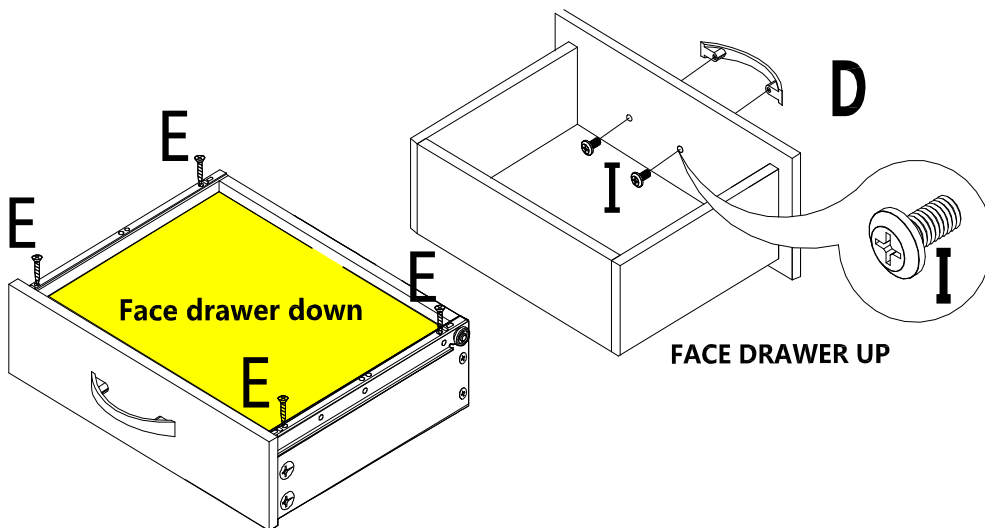
Screw

Inner-Left

J=2



Inner-Right



# Assembly Instruction

## Step 14

- Insert all drawers into the bedside carcass.

- Assembly complete

