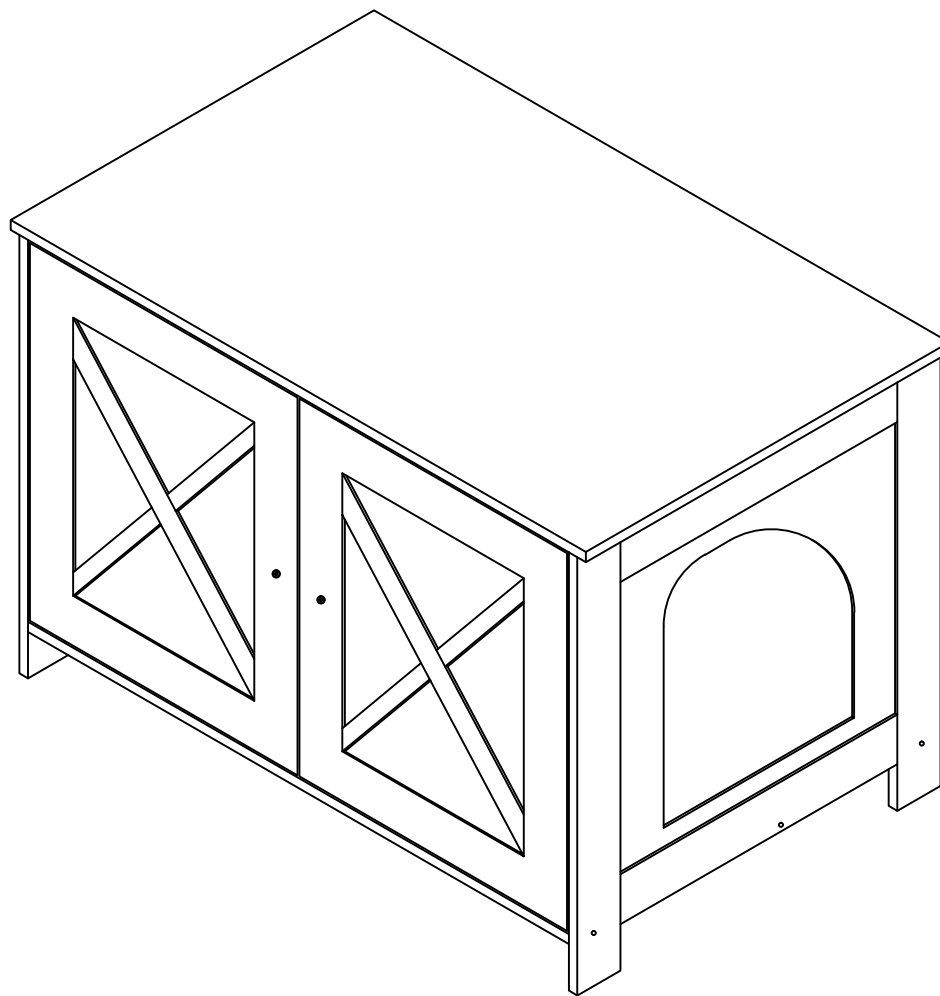


Cat Litter Box Enclosure



Instruction Manual

Thank you for shopping with us!

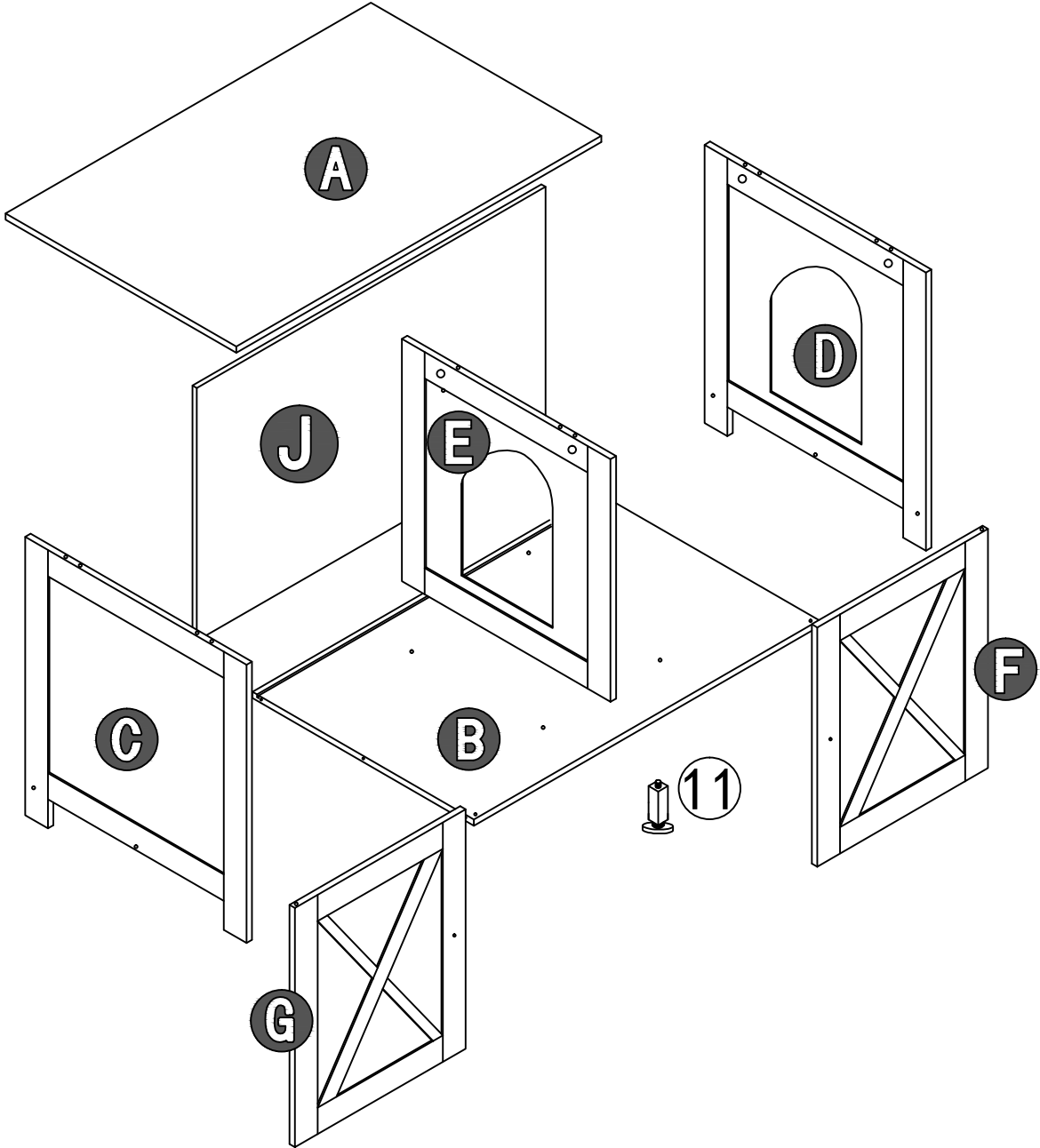
If any parts is missing, broken upon receipt or you need any help from us.



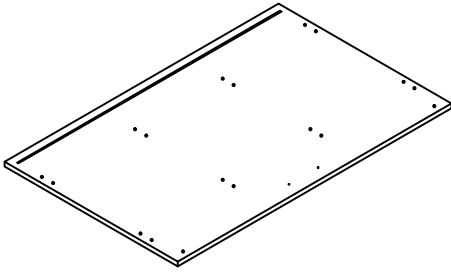
- **Assembly Notes:**
 - Make sure all the parts and hardware are correct according to the instructions. Follow the instructions so the parts are assembled correctly.
 - Do not fully tighten screws with Allan key until you have put together the whole cat litter box enclosure. That way if you make a mistake you can quickly remove a screw.

- **Daily Care:**
 - Clean the crate regularly. Do not use Alcohol, gasoline or any organic solvent for cleaning.
 - Do not put the cat litter box enclosure in a humid environment, a dry, ventilated place is recommended to avoid direct sunlight, so as to prevent premature oxidation and ensure the crate's safety of use and service life.

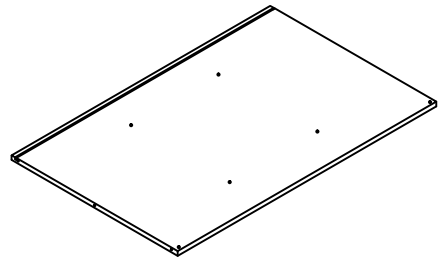
Exploded View



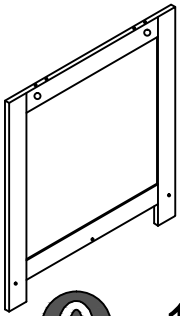
Parts List



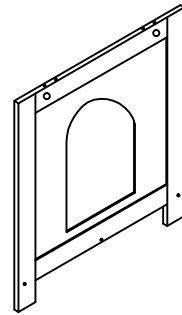
A x1 Roof



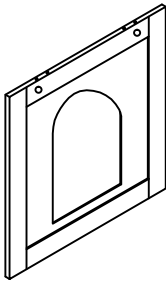
B x1 Floor



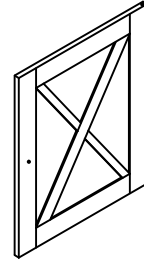
C x1 Left side plate



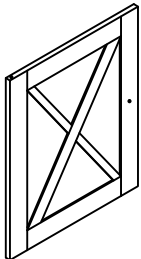
D x1 Right side plate



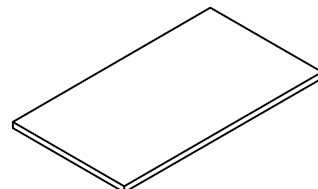
E x1 Middle riser



F x1 Front brace

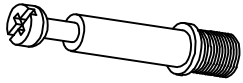


G x1 Middle riser



J x1 Back brace

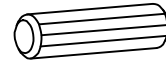
Hardware List



① x 6 $\phi 5*28$



② x 6 $\phi 15*9$



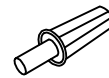
③ x 6 $\phi 6*30$



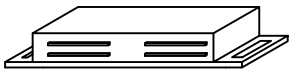
④ x 8 $\phi 5*40$



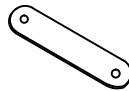
⑤ x14+1 $\phi 3.5*12$



⑥ x 4 $\phi 6$



⑦ x 1



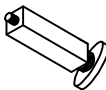
⑧ x 2



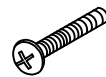
⑨ x 1 M3mm



⑩ x 8



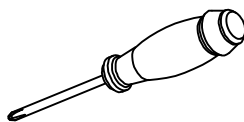
⑪ x 1



⑫ x 2 M4*18

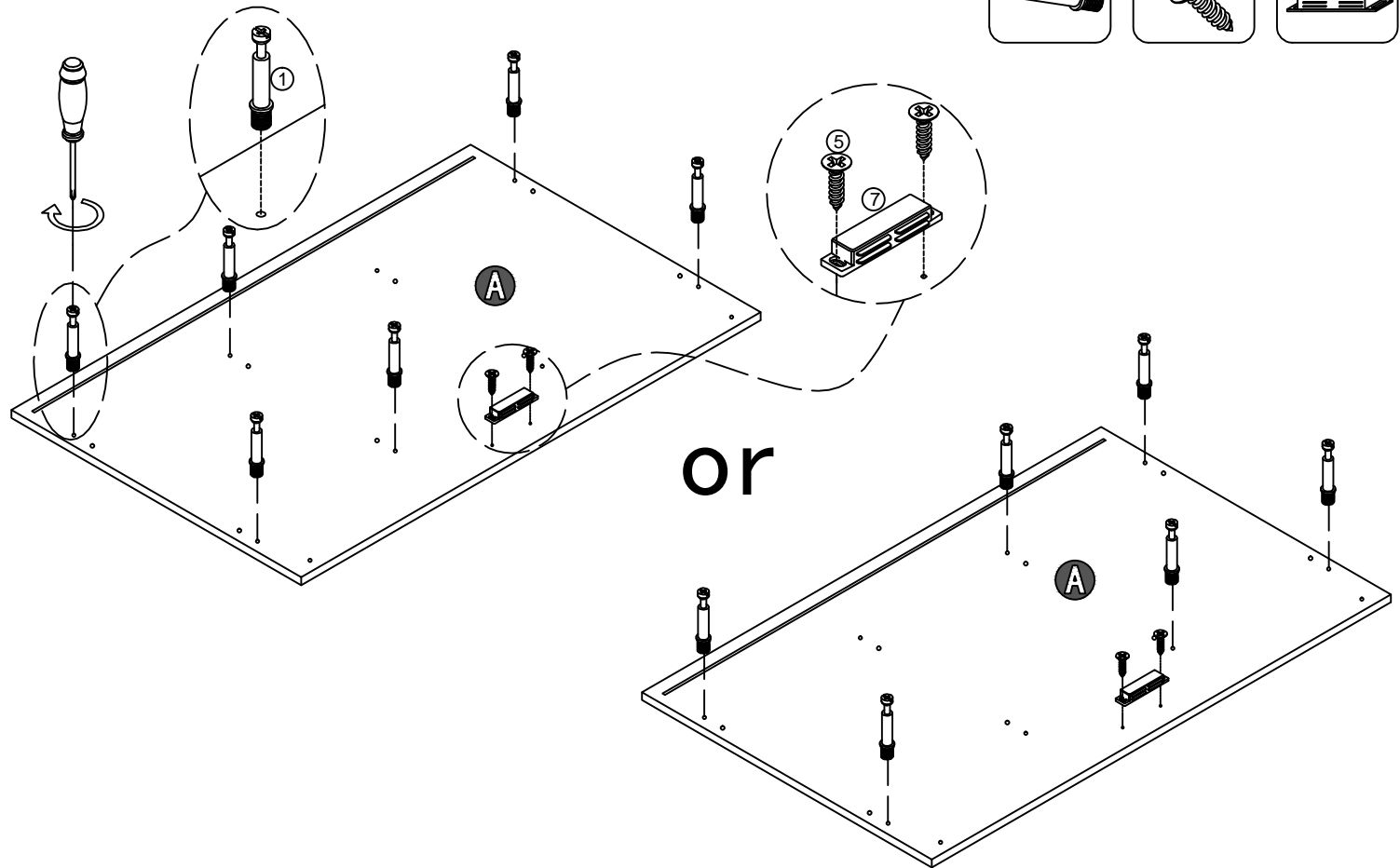
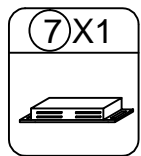
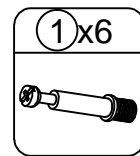


⑬ x 2

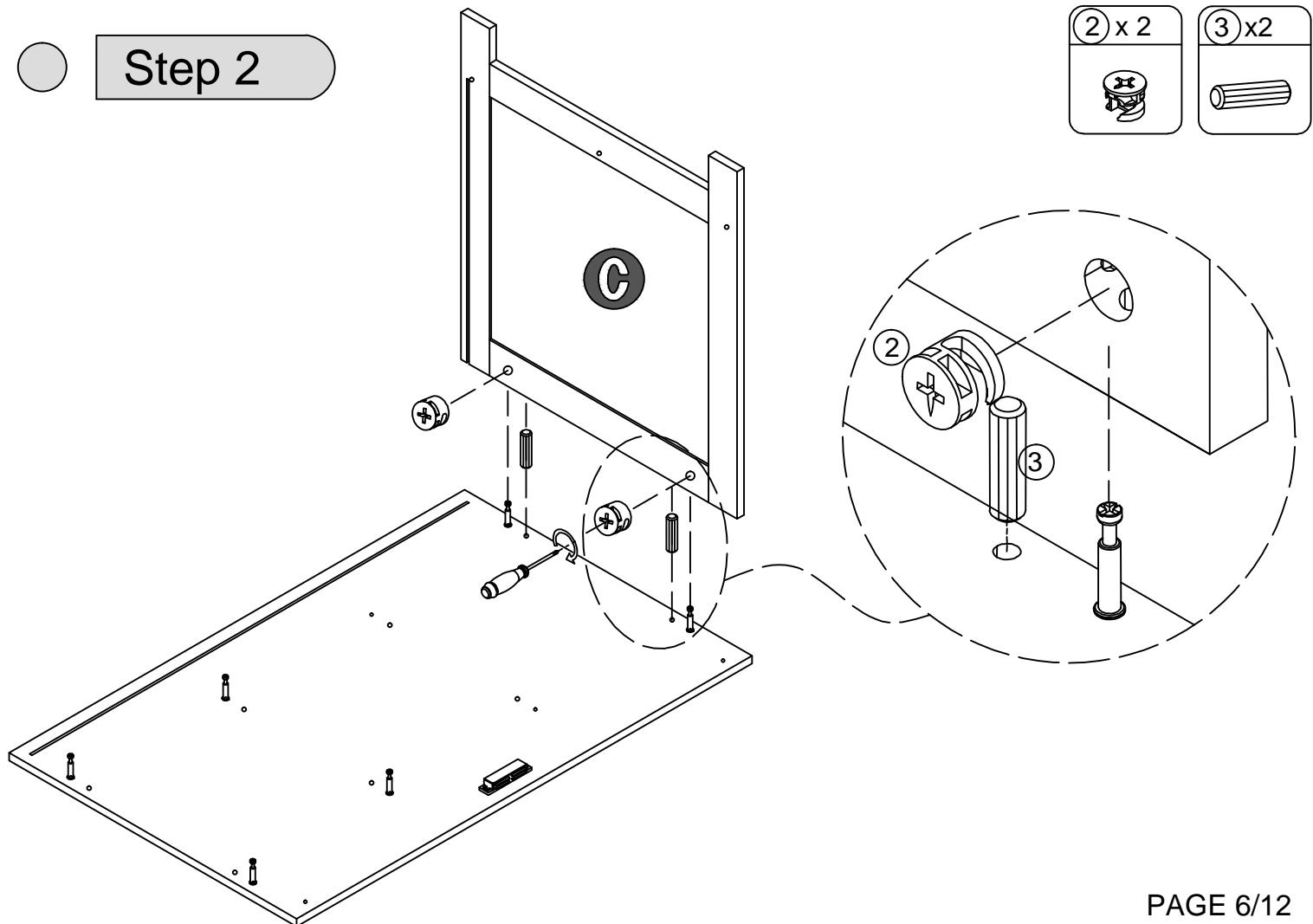
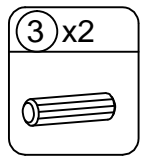
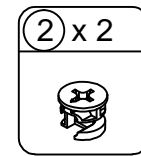


⑭ x 1

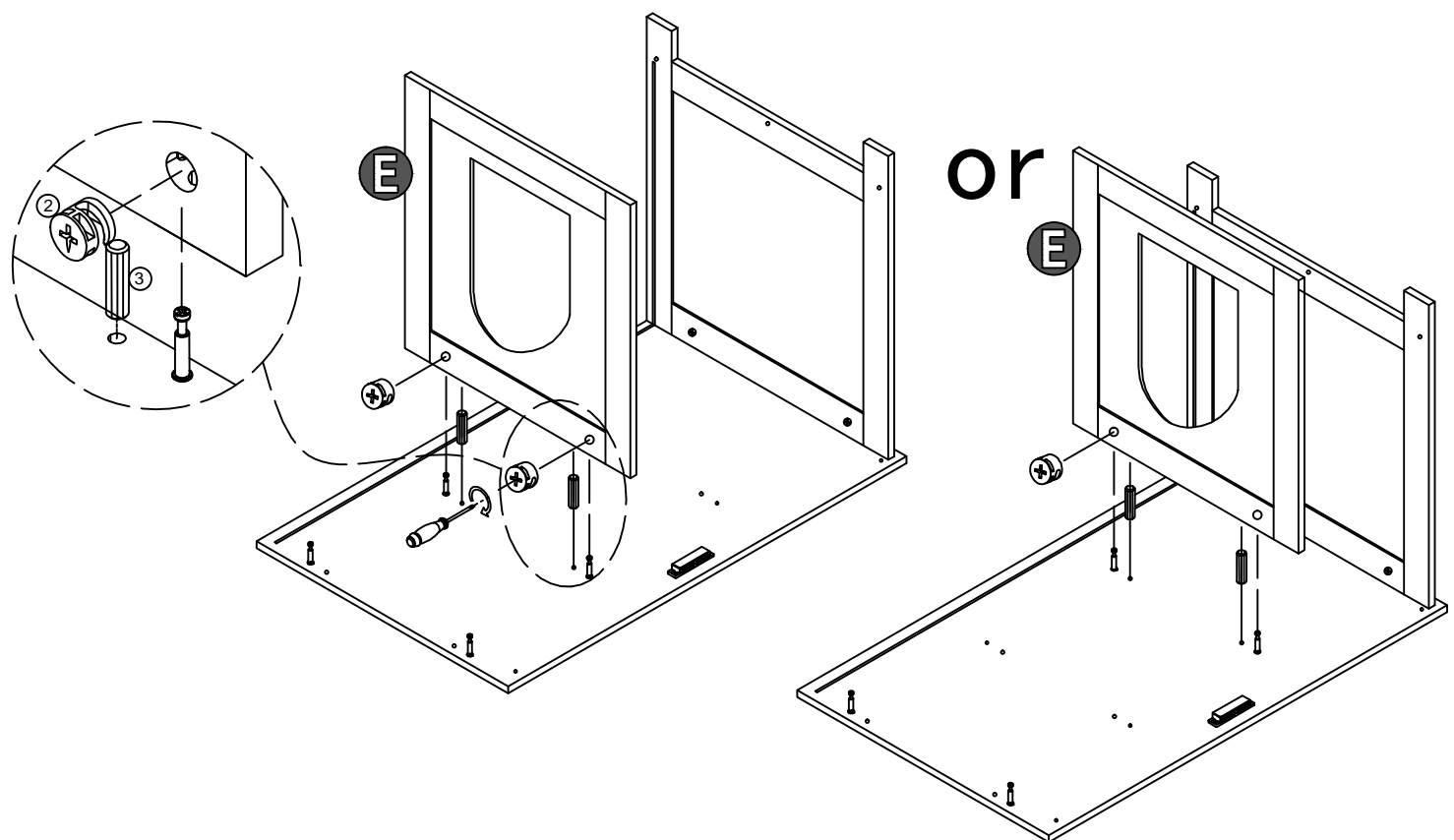
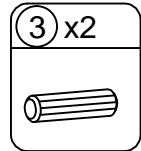
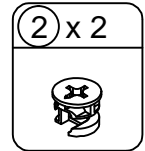
Step 1



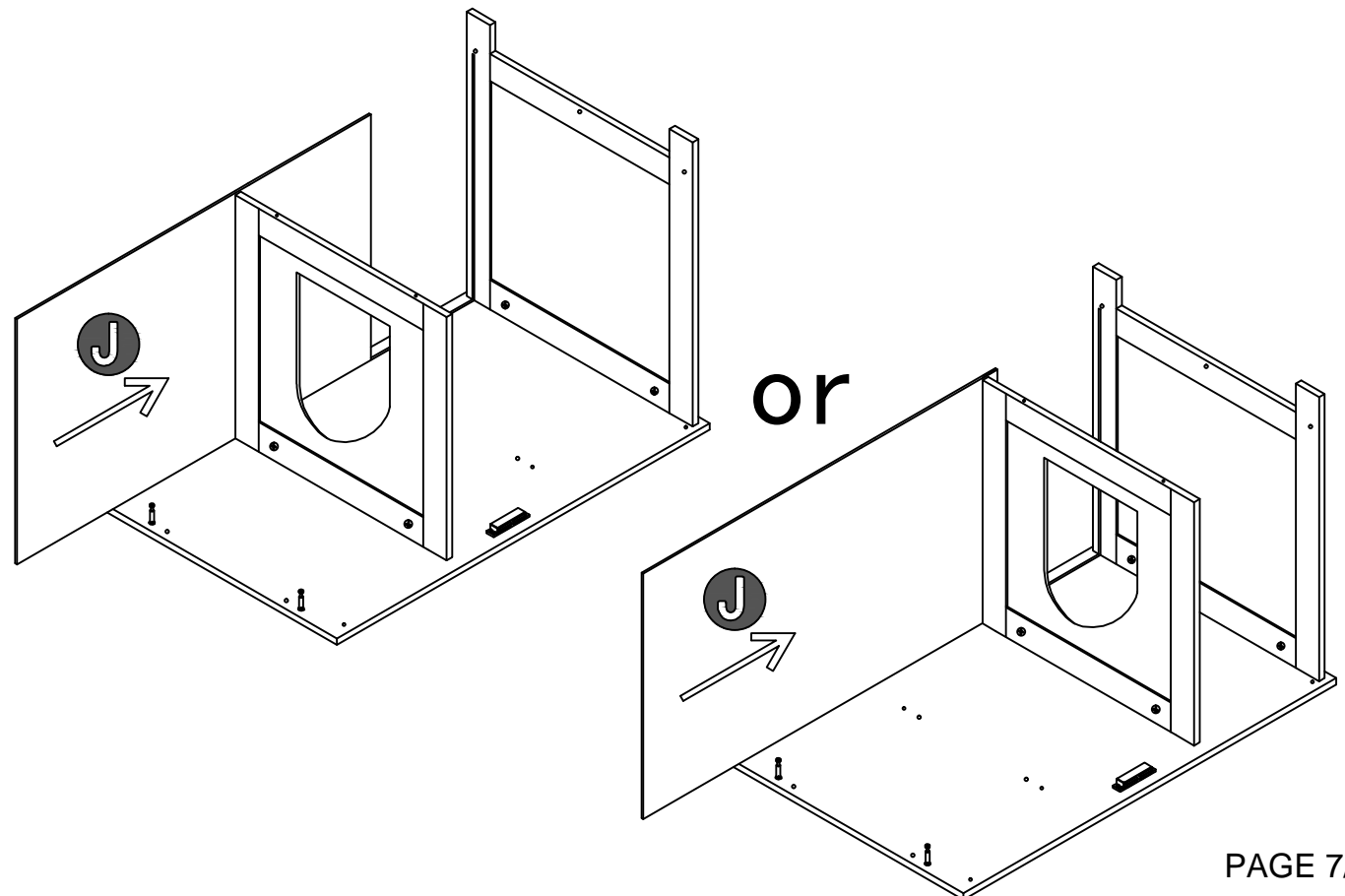
Step 2



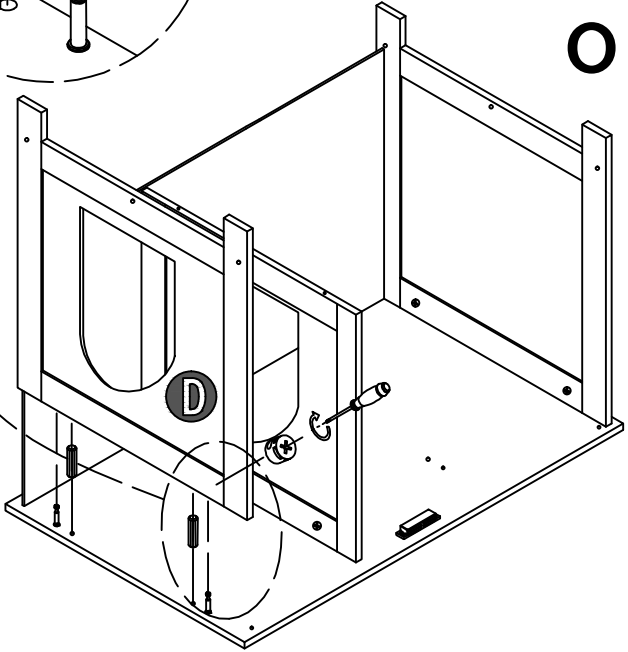
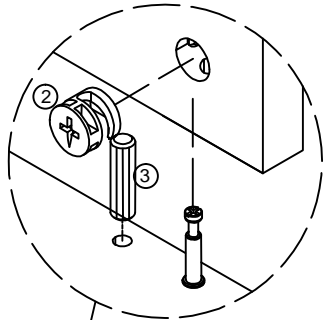
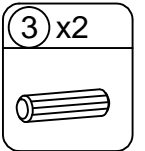
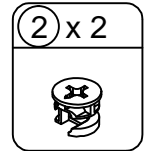
Step 3



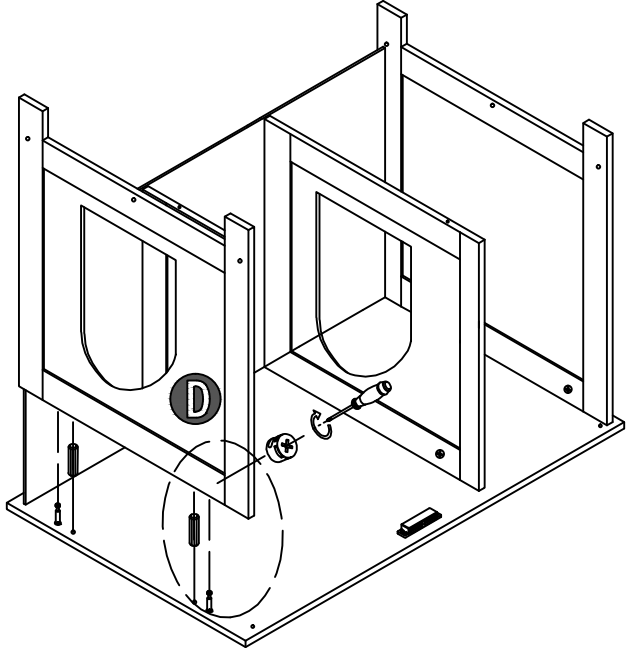
Step 4



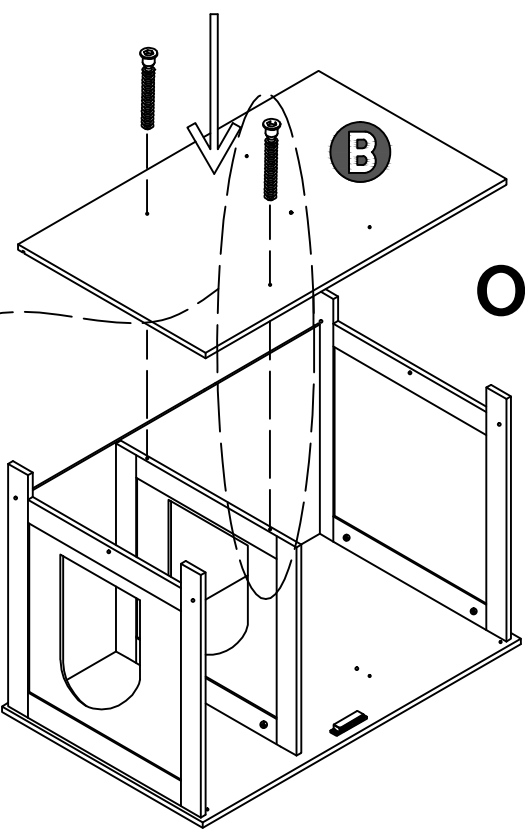
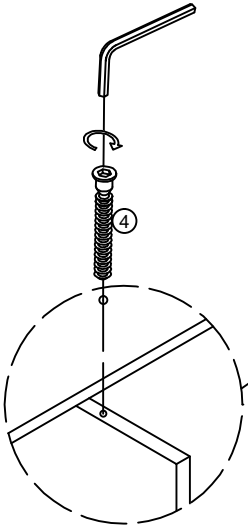
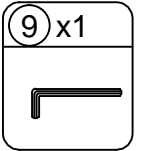
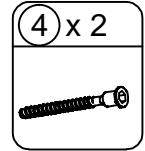
Step 5



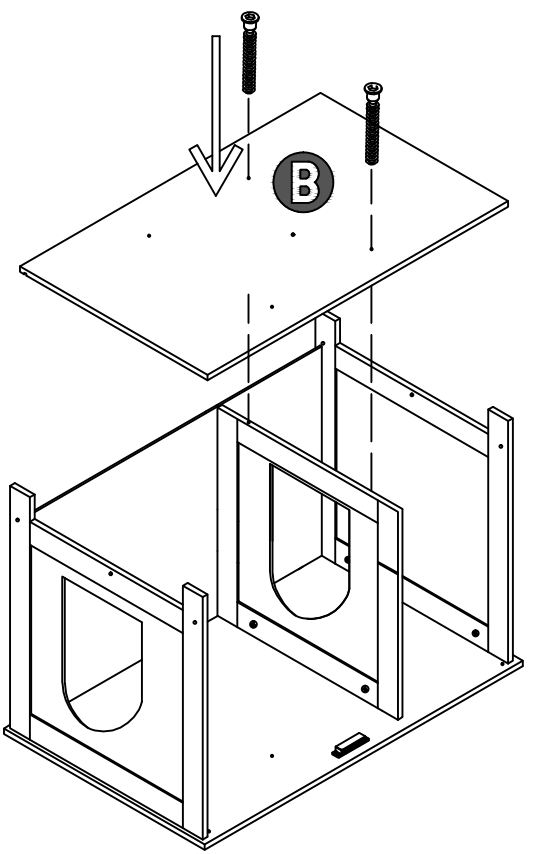
or



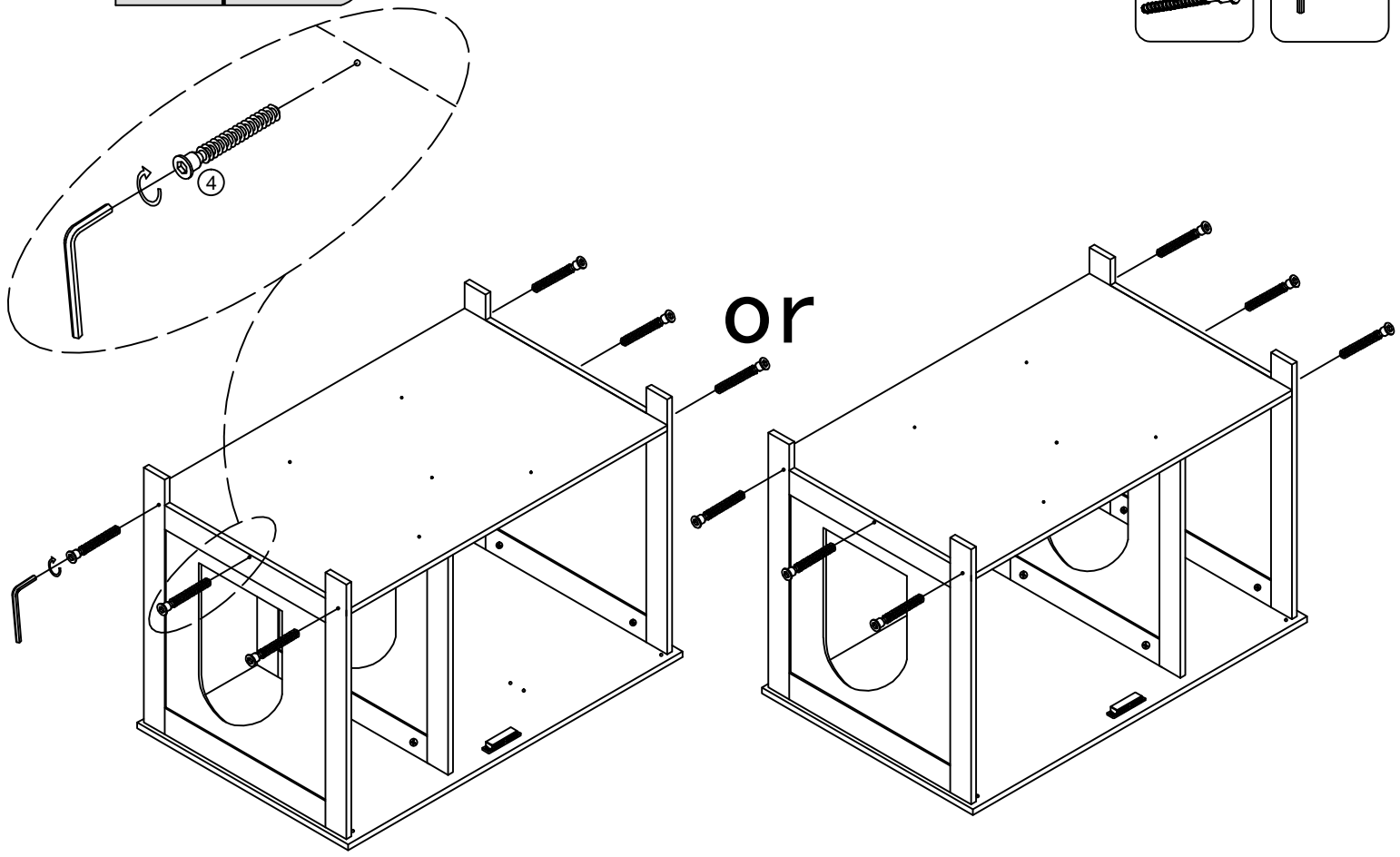
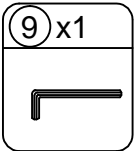
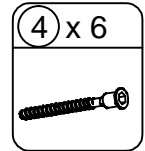
Step 6



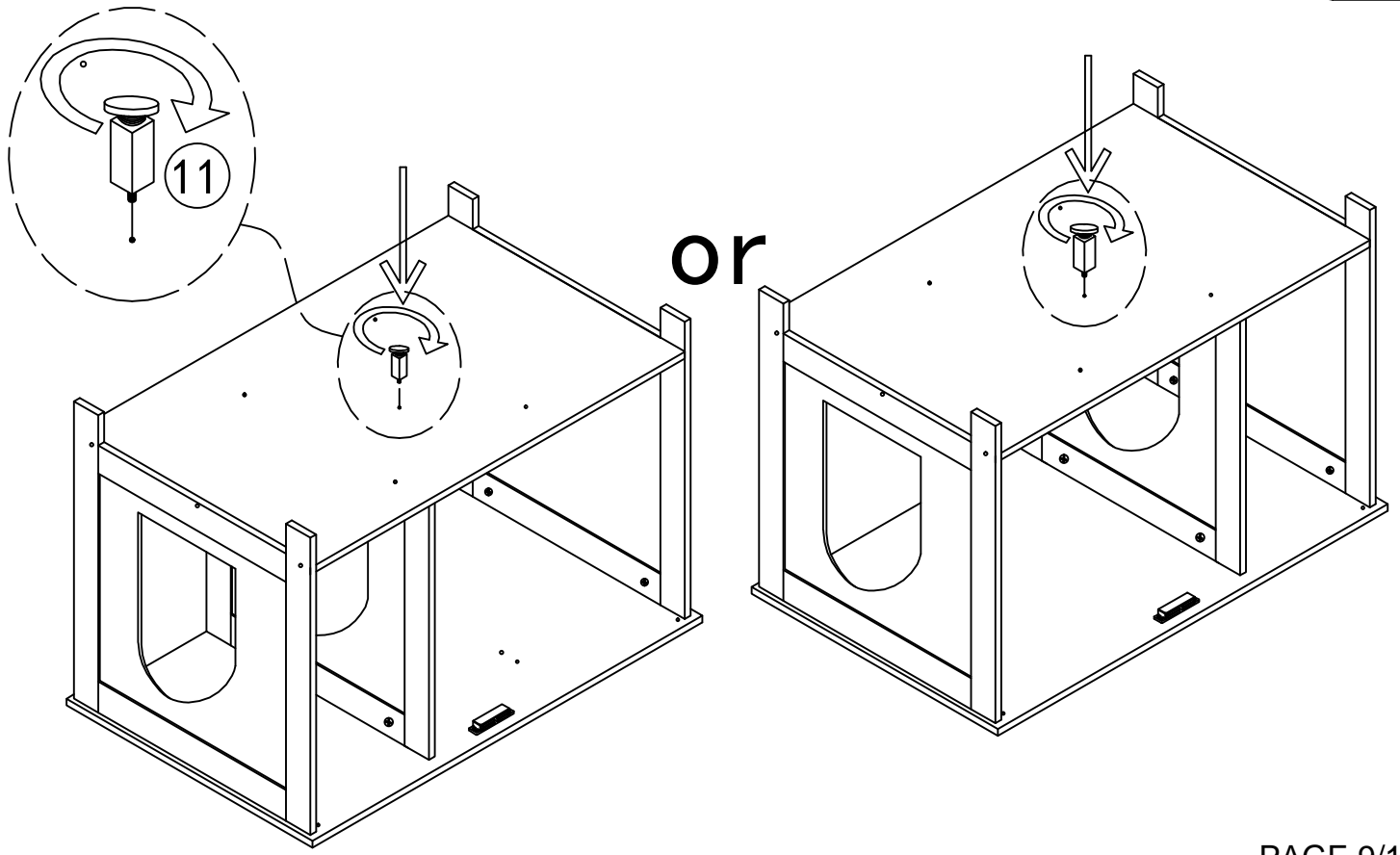
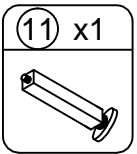
or



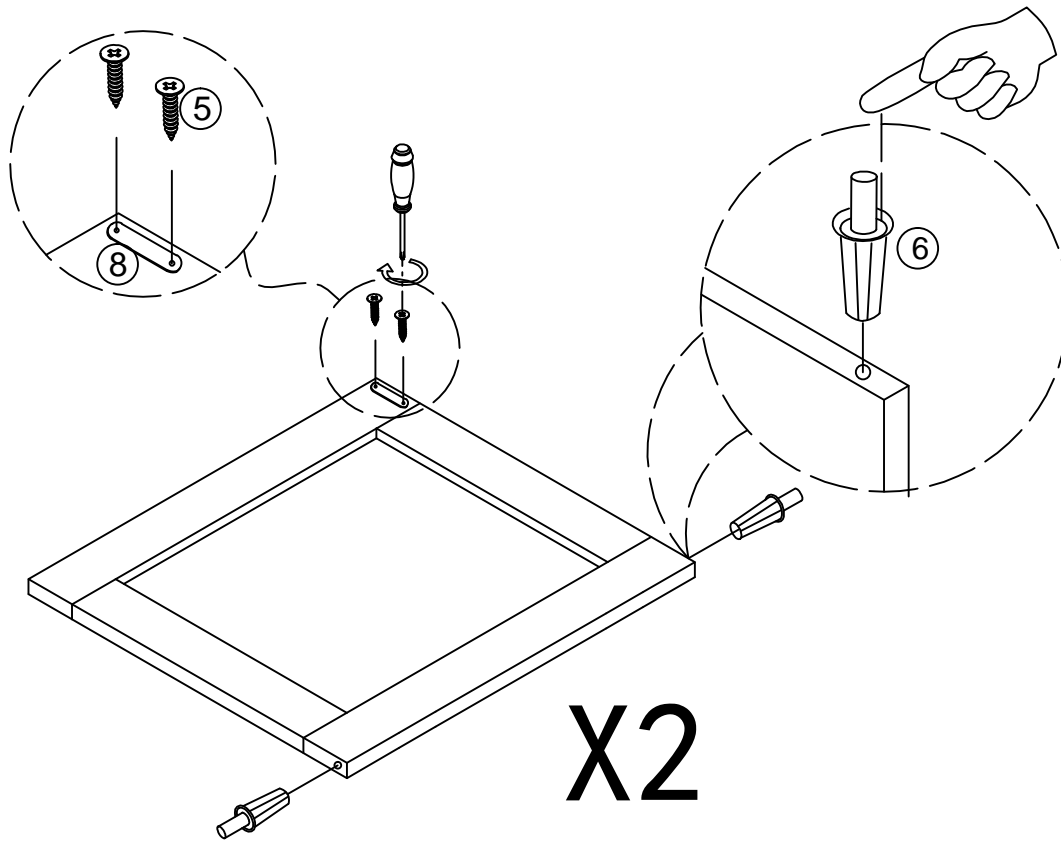
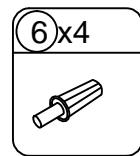
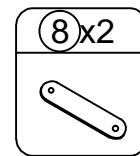
Step 7



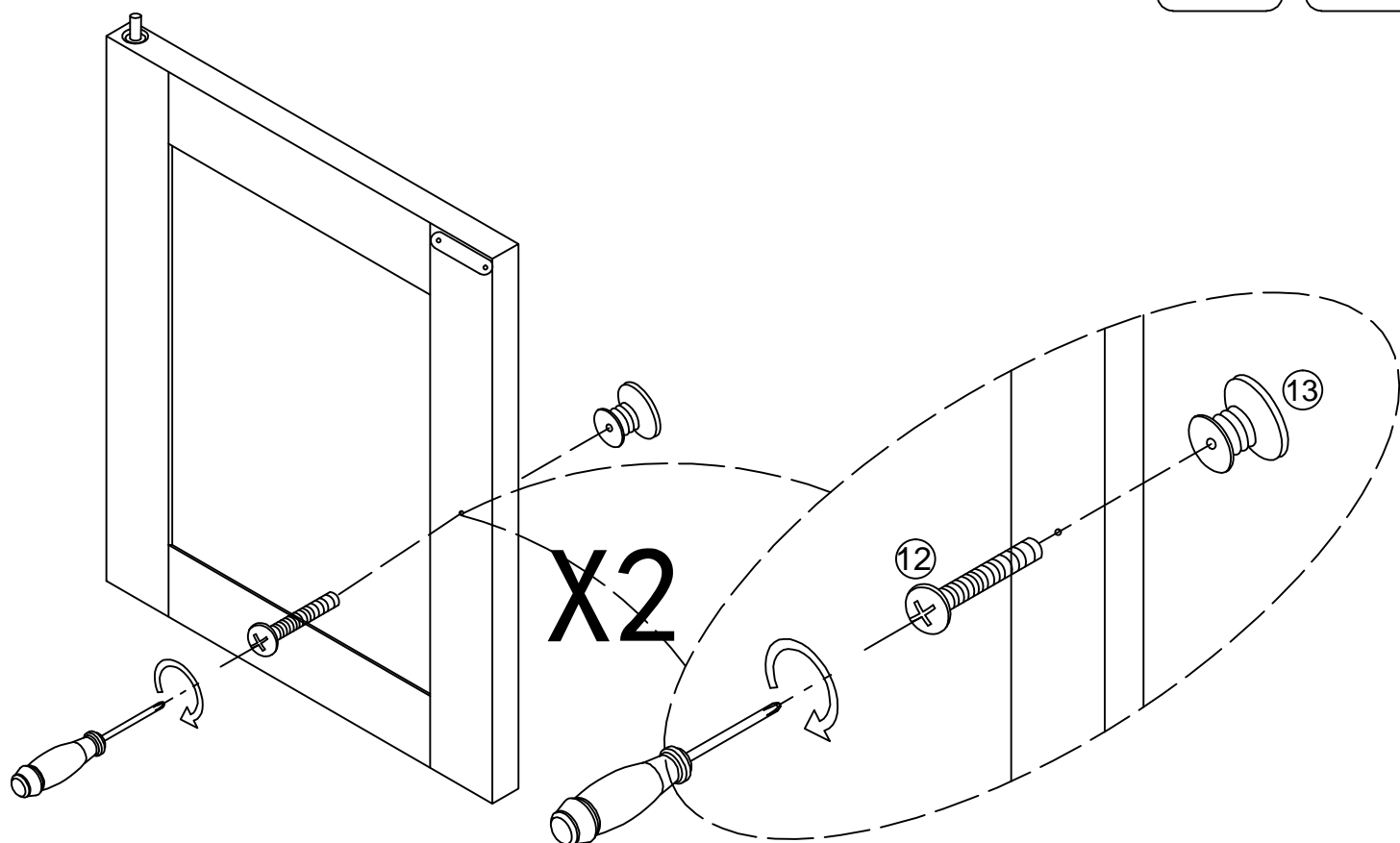
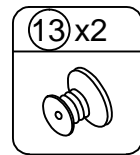
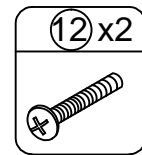
Step 8



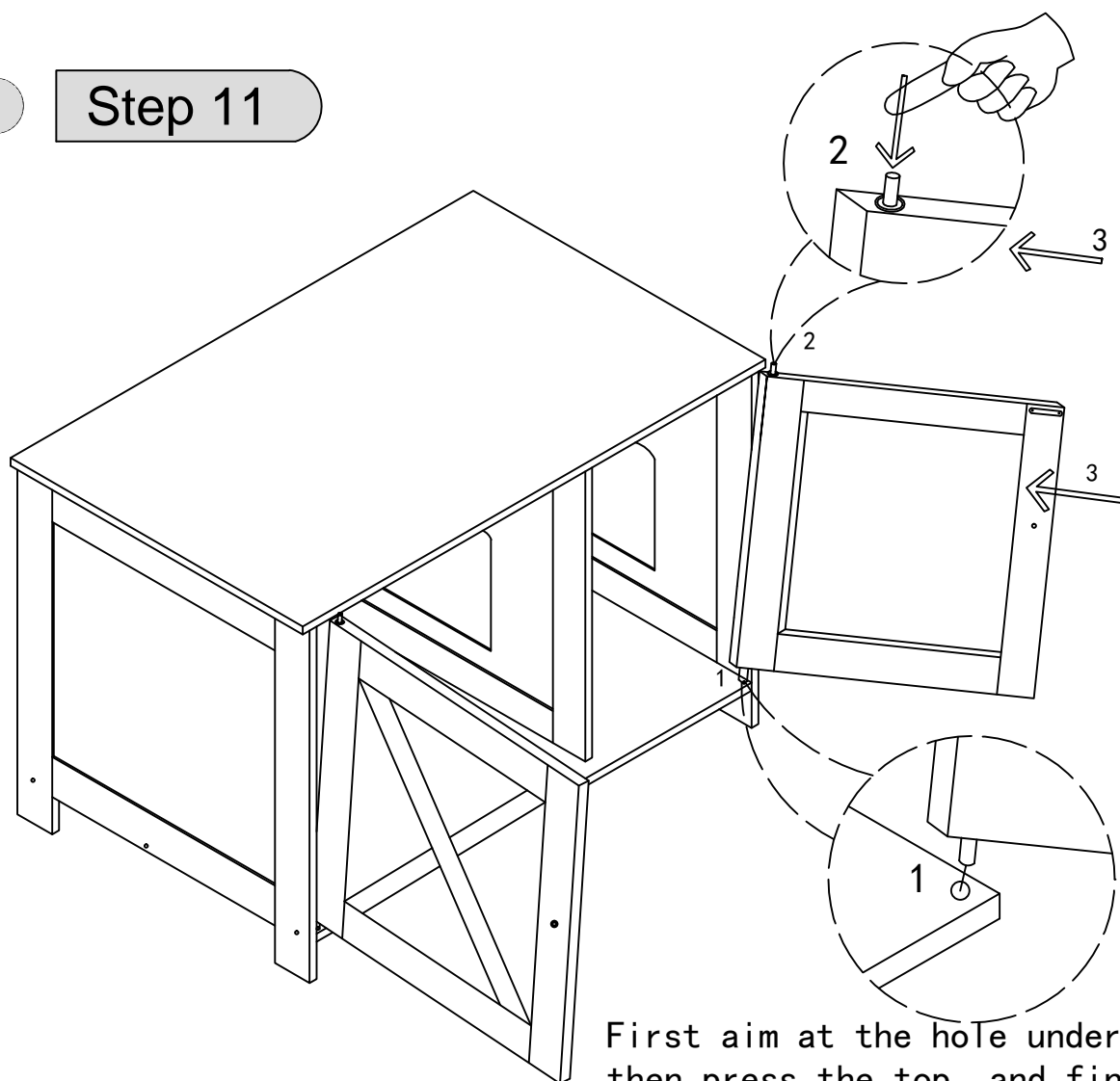
Step 9



Step 10

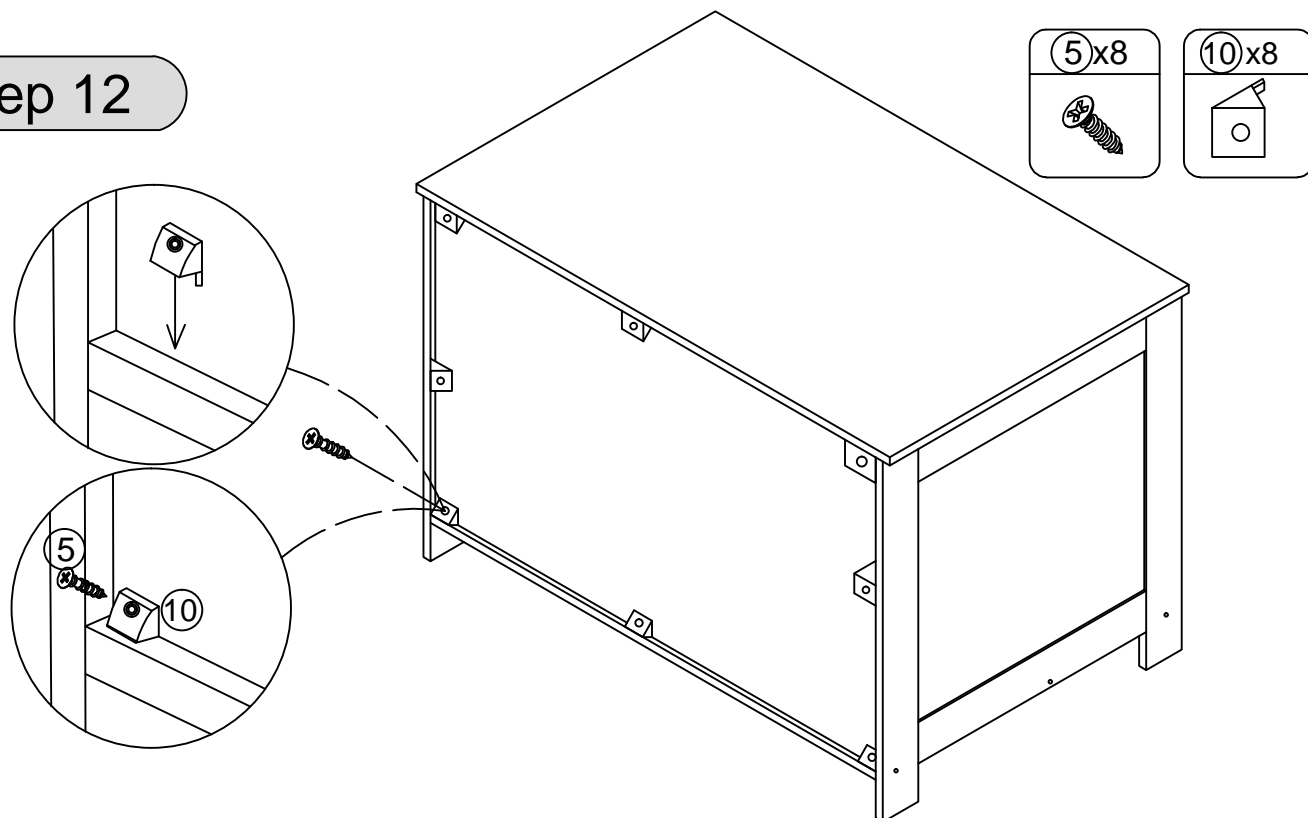


Step 11



First aim at the hole under the door then press the top, and finally push in.

Step 12



It is recommended that two people assemble together, one looks at the door gap, and one installs the back plate buckle.

Warning

Seller is responsible for the product-related issues occurred upon receipt, but will not be responsible for the personal injury, property damage or loss resulting from the incorrect assembly, improper use, inadequate maintenance or neglect of this product.