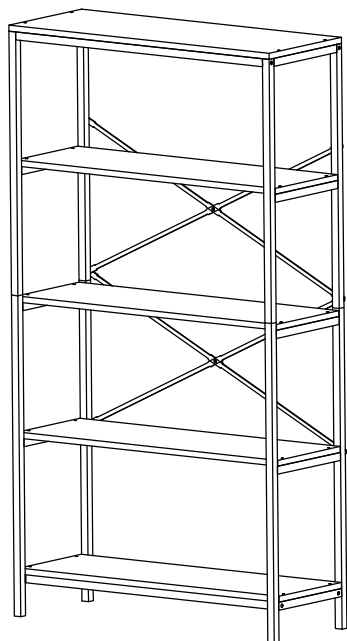
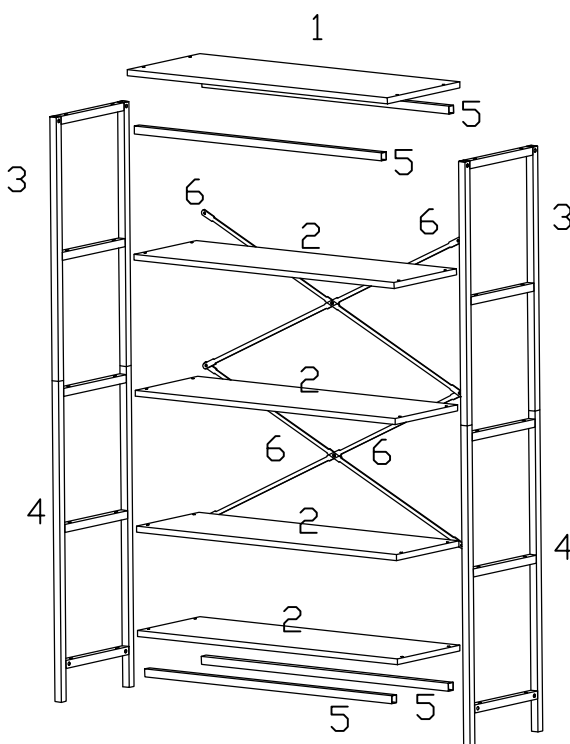


ASSEMBLY INSTRUCTION



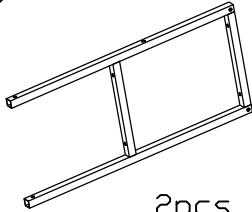
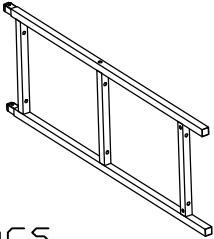

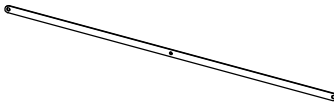







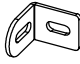
The installation is complete



Decomposition of components



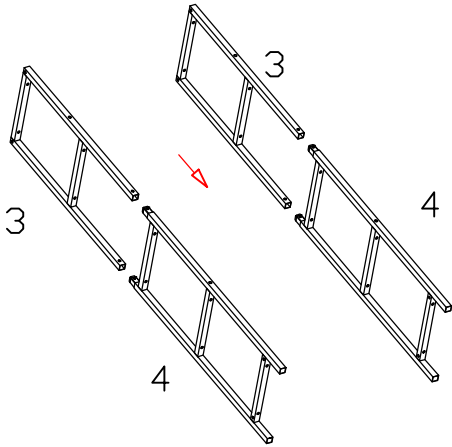
Please check the board number and number

<p>1</p>  <p>1pc</p>	<p>2</p>  <p>4pc</p>	<p>3</p>  <p>2pcs</p>				
<p>4</p>  <p>2pcs</p>	<p>5</p>  <p>4pcs</p>	<p>6</p>  <p>4pcs</p>				
<p>A</p>  <p>M6x12 10pcs</p>	<p>B</p>  <p>M6x35 8pcs</p>	<p>C</p>  <p>M6x30 20pcs</p>	<p>D</p>  <p>M6 螺帽 2PCS</p>	<p>E</p>  <p>M4x12 2PCS</p>	<p>F</p>  <p>2pcs</p>  <p>M4x25 2PCS</p>	<p>G</p>  <p>2pcs</p>

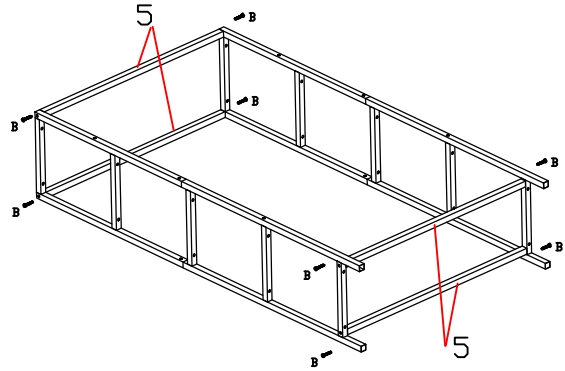
ASSEMBLY INSTRUCTION

Start assembling furniture

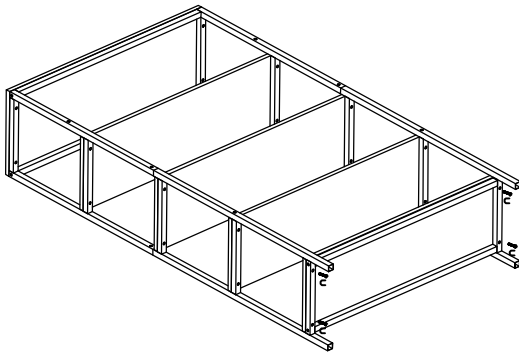
STEP 1



STEP 2

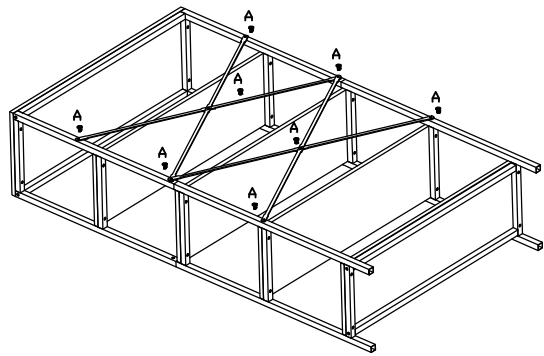


STEP 3

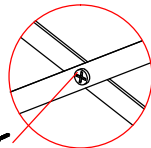
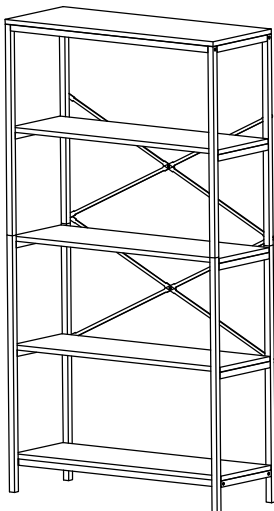


c=20PCS

STEP 4



STEP 5

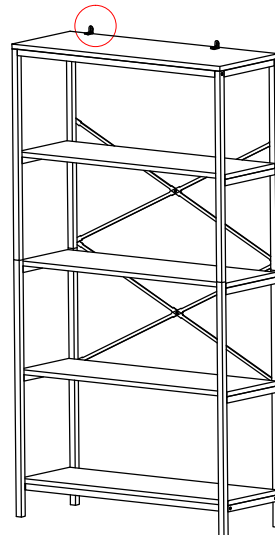


A=2PCS

D=2PCS



STEP 6



M4x25 2pcs



螺母 2pcs

