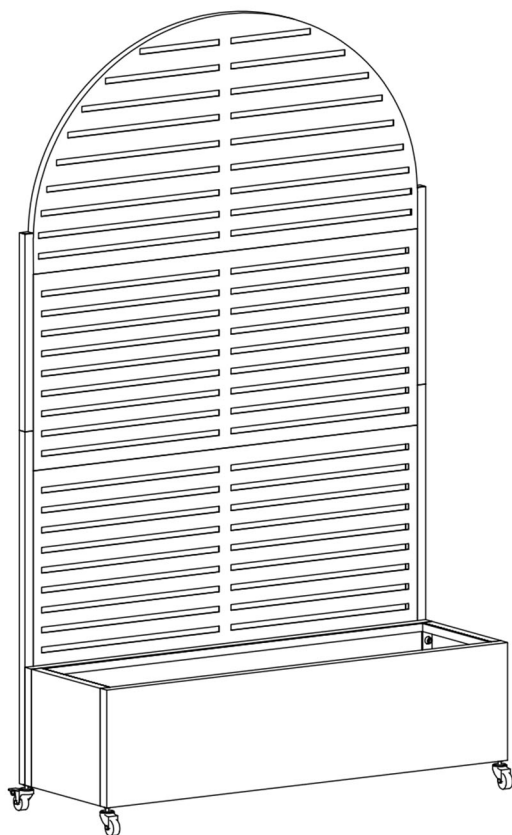


# DREAMS

IDEA

Instruction Manual



# ABOUT US

DREAMSIDEA IS A ONE-STOP HOME  
FURNISHING AND SERVICE COMPANY BASED IN USA.

WE ARE DEDICATED TO BRING YOUR DREAM HOME TO LIFE.

OUR SERVICES COVER FROM DESIGN, PRODUCTION,  
DIRECT SELL, STORAGE, AND TRANSPORTATION.

IF REALITY IS THE NEAR SHORE  
AND IDEALISM THE FAR SHORE,

DREAMSIDEA  
AS THE FERRY BETWEEN THEM,  
EAGER TO ACCOMPANY YOU ON A JOURNEY  
TO YOUR IDEAL HOME.



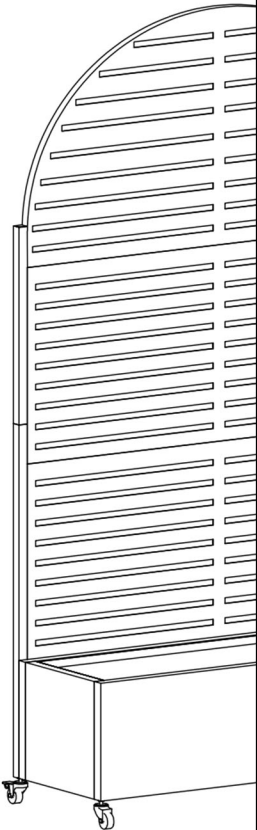
ITEM NO.OB00(14-20)-S

# WARRANTY

We strive to offer high quality product and we also try our best to satisfy each customer that order from us, no matter on products or services as needed. Each customer receives a record of their order, such as the order number or item receipt. For any items that are out of warranty period, you may still be able to purchase the replacement parts from our company if they are available.

Are you having difficulty  
with assembly? Missing parts?  
Please contact us : [info@firstopintl.com](mailto:info@firstopintl.com)  
Tel:(562)-781-3327

send an email with your order No. to us  
For return, please check the return policy with  
the retailer or platforms you bought from.  
Appreciate your purchasing from us.  
Pop up your life by our furniture !

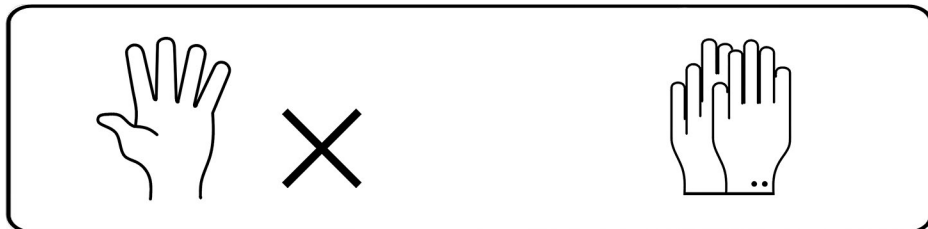




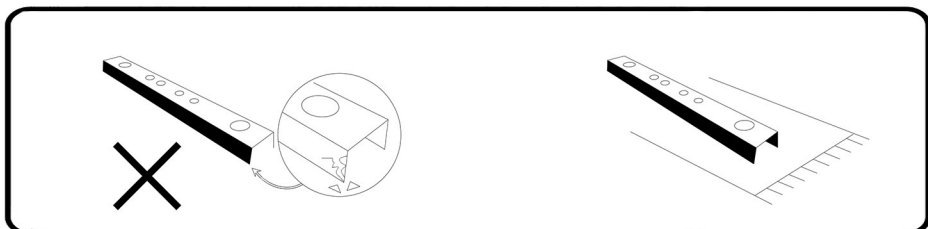
# MAINTENANCE AND WARNING

Before assembling, we recommend:

1. wear gloves



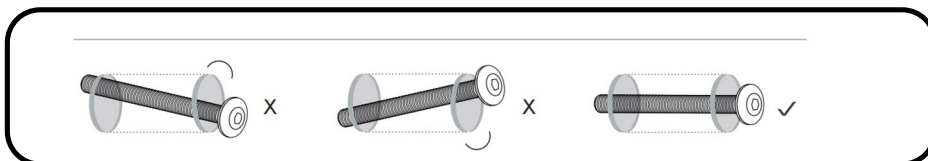
2. Don't place the privacy screen on a hard surface while assembling



3. Ask for a helping hand



4. The correct use of the screw



# PRDOUCT DESCRIPTION

Made entirely of metal with a weather-resistant and wear-resistant coating. The main structure is sturdy, withstanding outdoor elements like sun, rain, and wind, resistant to rust and aging for long-term durability.

Available in various sizes and screen pattern designs. Users can choose the most suitable style based on space size, functional needs, and personal aesthetics for personalized space customization.

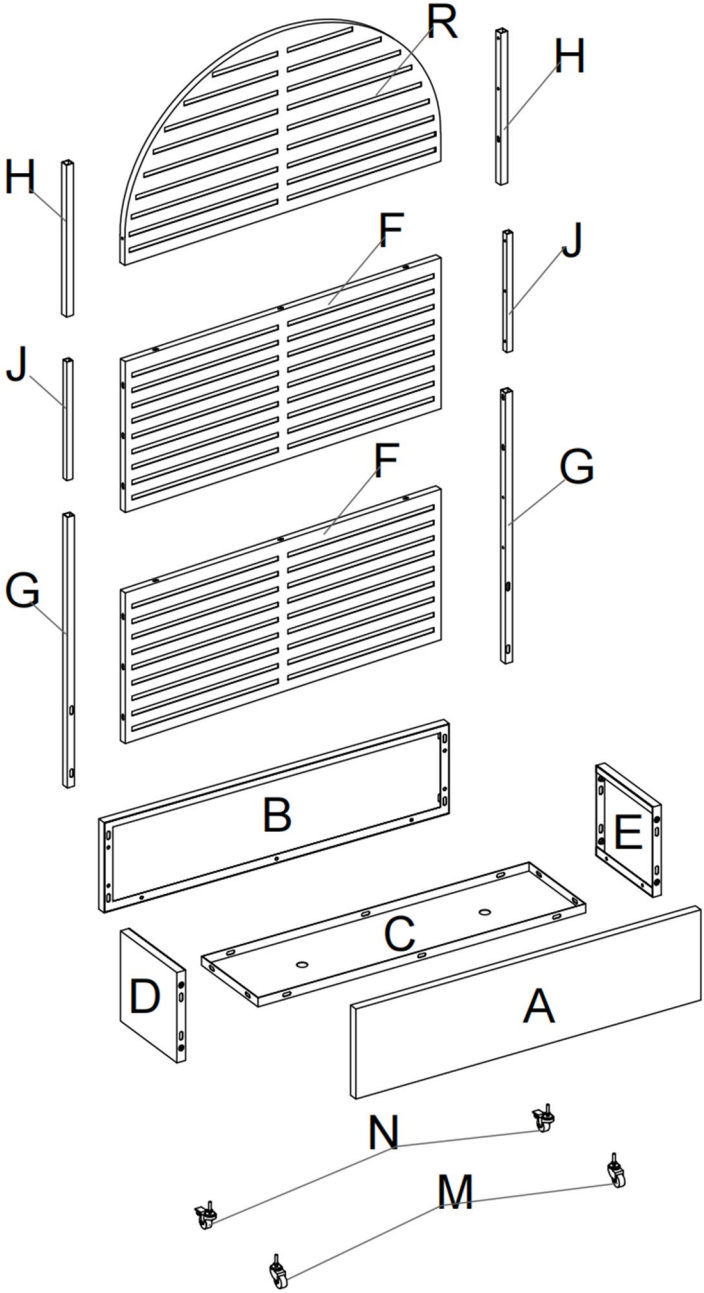
Large planter box with bottom drainage holes: Offers ample planting space; drainage holes ensure soil aeration and prevent waterlogging for healthy plant growth.

Modern minimalist all-metal planter screen. Integrates planter box and openwork screen into one unit. Features regularly arranged geometric cutouts, combining an industrial feel with design aesthetics, suitable for various indoor and outdoor environments.

Four lockable, silent swivel casters: Enables easy and flexible movement; locks securely in place for stability, convenient repositioning or cleaning.

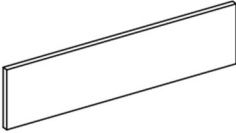


# EXPLODED VIEW



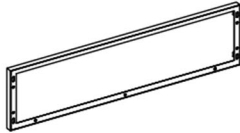
# PARTS

A\*1



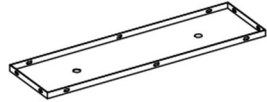
Long board

B\*1



Long board

C\*1



Bottom board

D\*1



Short board

E\*1



Short board

G\*2



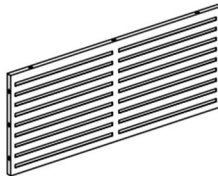
Vertical tubes

H\*2



Tubes

F\*2



Trellis

J\*2



Rods

M\*2



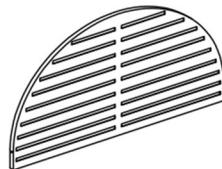
Front Wheels

N\*2



Rear Wheels

R\*1



Trellis

# HARDWARE

## TOOL LIST

NOTE: Designated with (★) We provide additional spare parts in the hardware package

①\*38



★ M6\*12mm  
Bolt

②\*4



★ M6\*70mm  
Bolt

③\*6



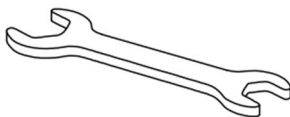
★ Nut

④\*4



★ Flat washer

⑤\*1



Spanner

⑥\*1



Allen key

Please make sure all hardware&packing material fitting the list.

Especially some small accessories may be missing during transportation. Please contact us if you have any question.

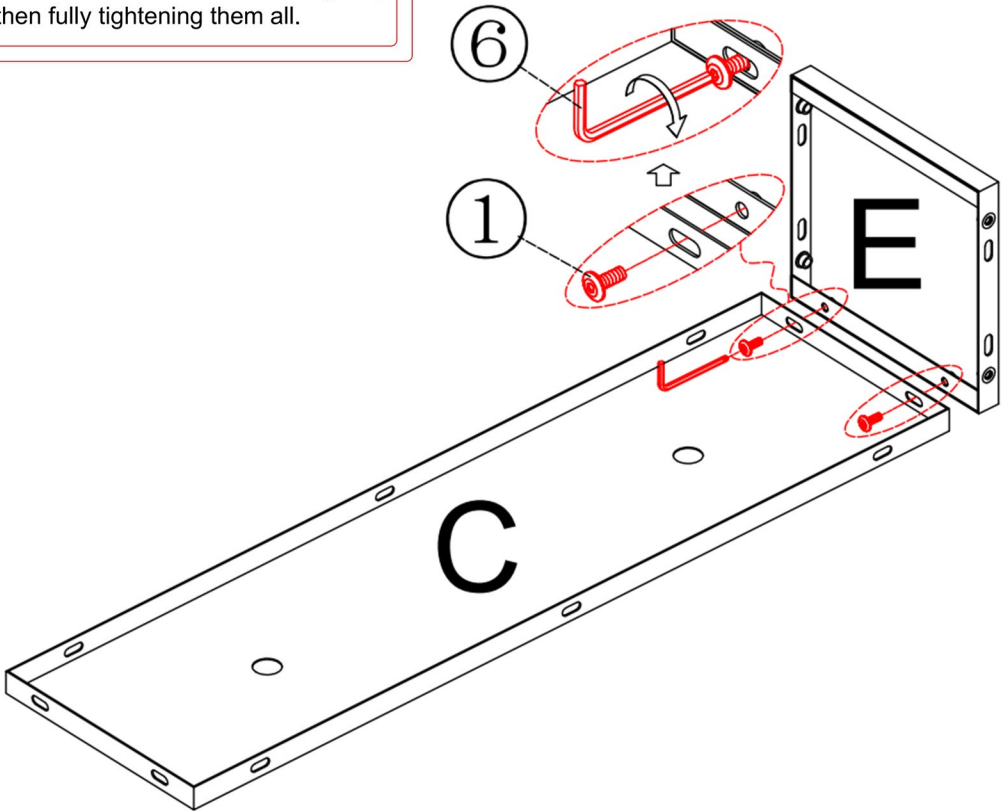
# step 1 ---Base Frame

Position the short boards (E) upright against the bottom board (C). Align the holes and secure them together using screws (1).



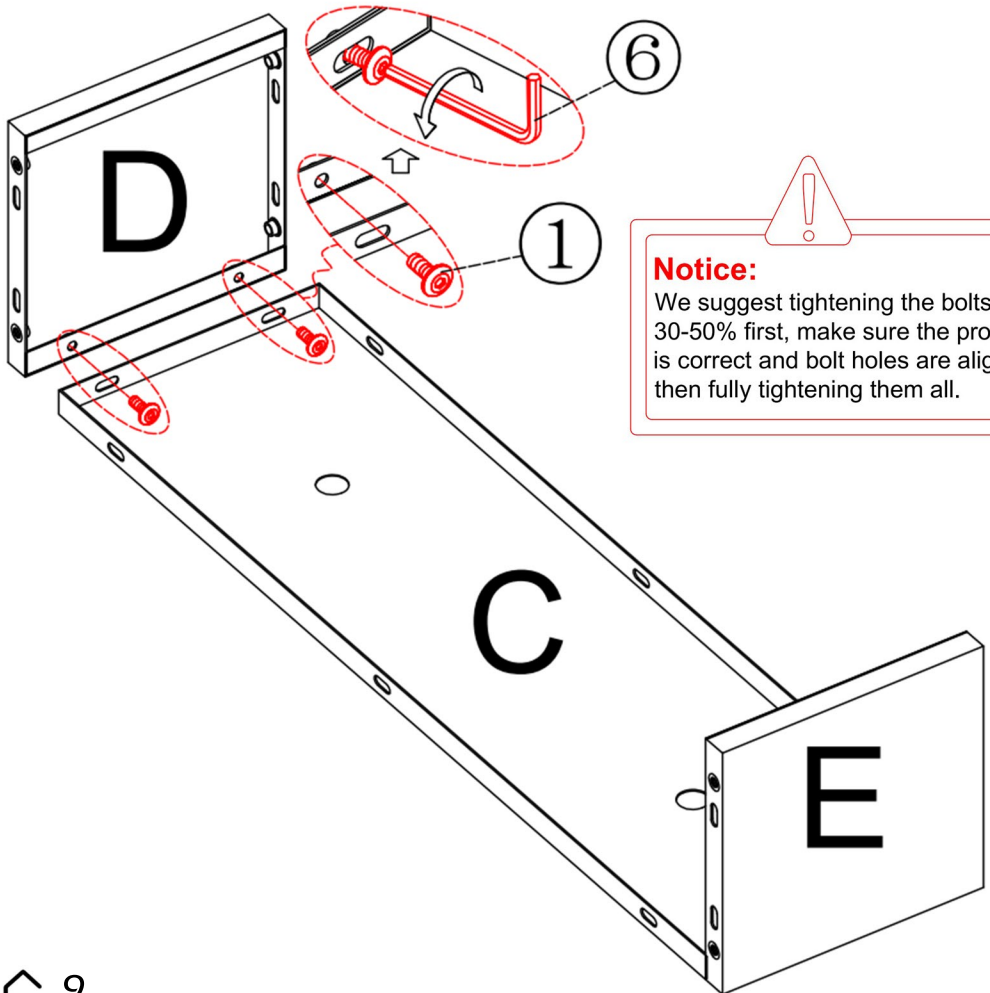
**Notice:**

We suggest tightening the bolts for 30-50% first, make sure the process is correct and bolt holes are aligned, then fully tightening them all.



# step 2 ---Base Frame

Position the short boards (D) upright against the bottom board (C). Align the holes and secure them together using screws (1).

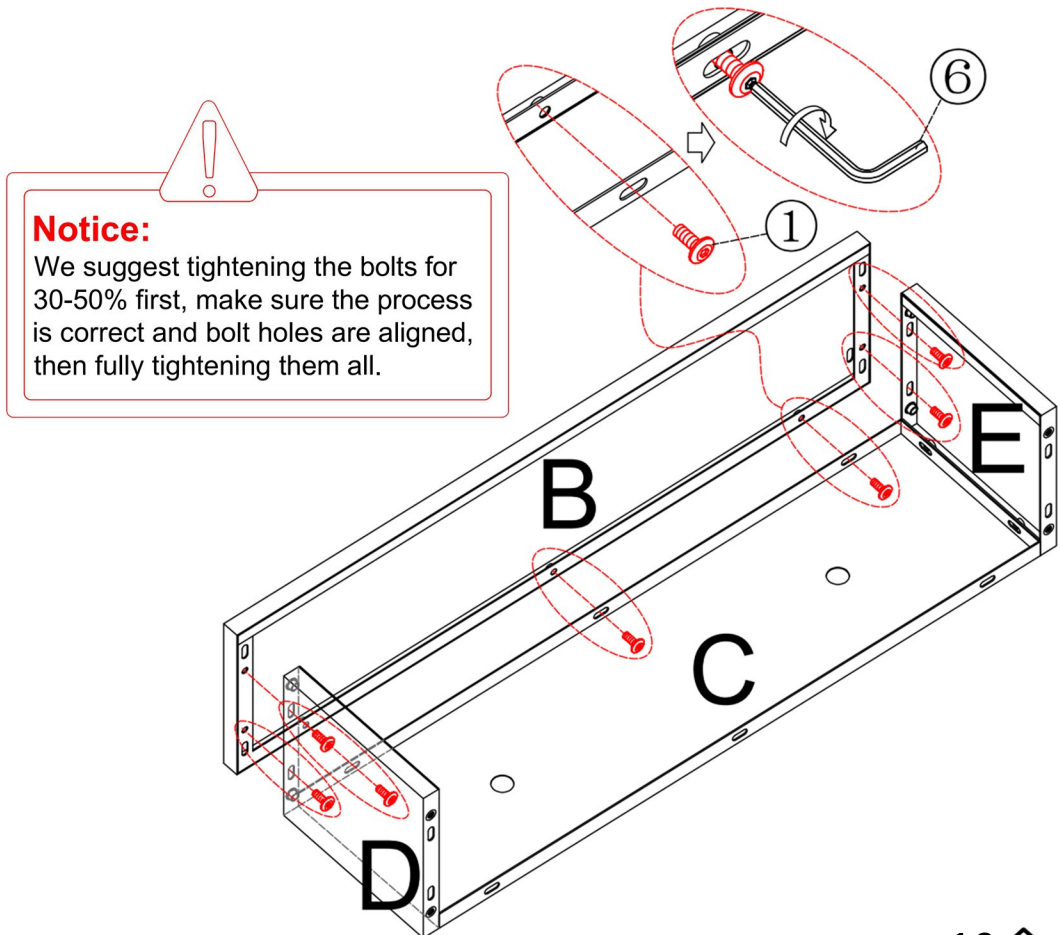


**Notice:**

We suggest tightening the bolts for 30-50% first, make sure the process is correct and bolt holes are aligned, then fully tightening them all.

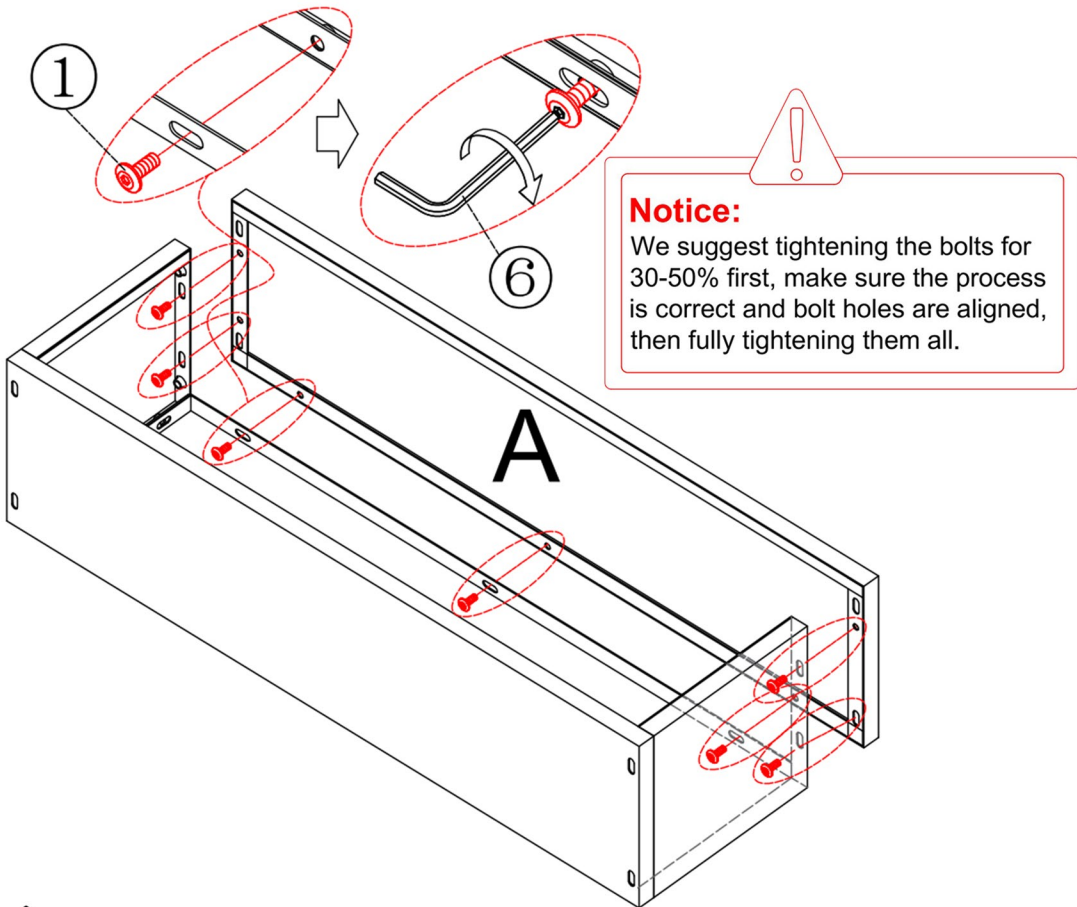
# step 3 ---Long board (B)

Attach the long board (B) to the bottom board (C) using three screws (1). Then, use four more screws (1) to fasten board (B) to the side boards (D) and (E), following the layout shown in the diagram.



# step 4 ---Box Completion

Attach the long board (A) to the bottom board (C) using three screws (1). Then, use four more screws (1) to fasten board (B) to the side boards (D) and (E), following the layout shown in the diagram.



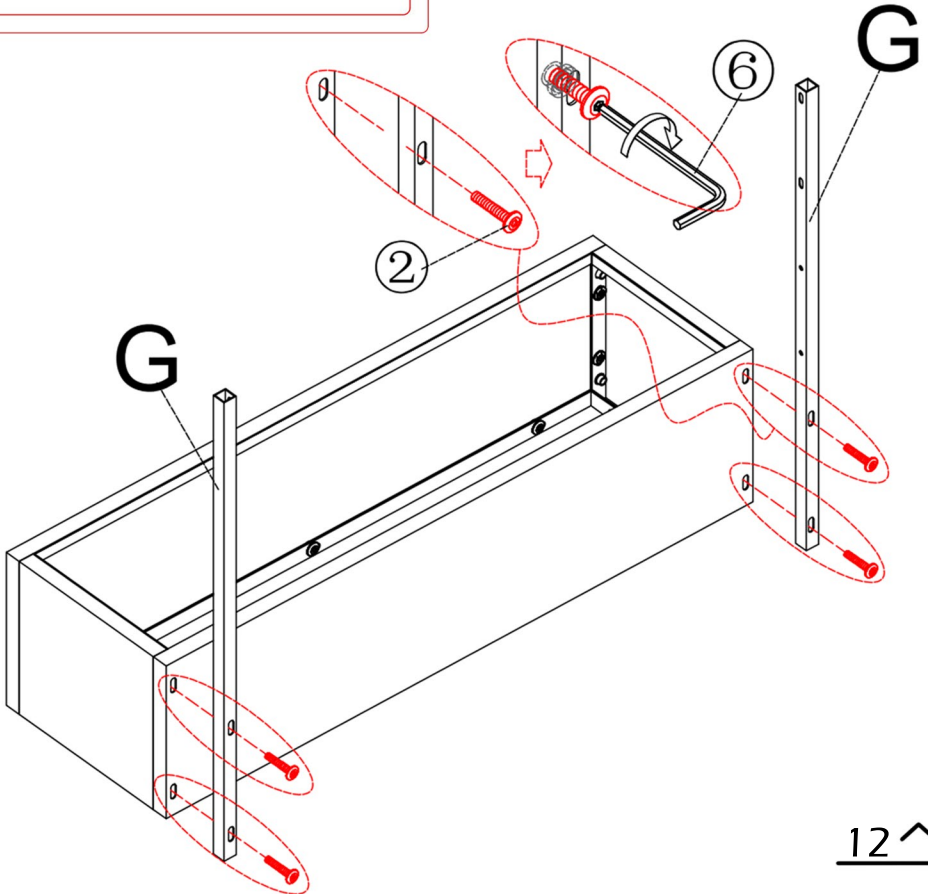
# step 5 ---Vertical Supports

Place the vertical tubes (G) against the back of the box (long board B). Secure them firmly using four screws (2) and the matching nuts (6).



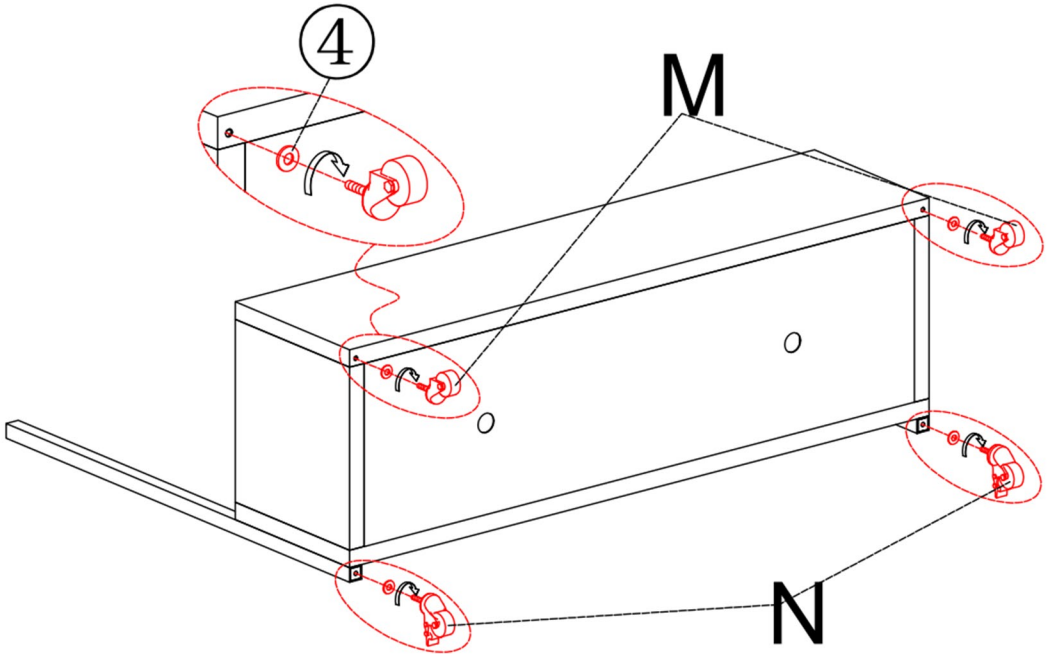
## Notice:

We suggest tightening the bolts for 30-50% first, make sure the process is correct and bolt holes are aligned, then fully tightening them all.



# step 6 ---Wheel Installation

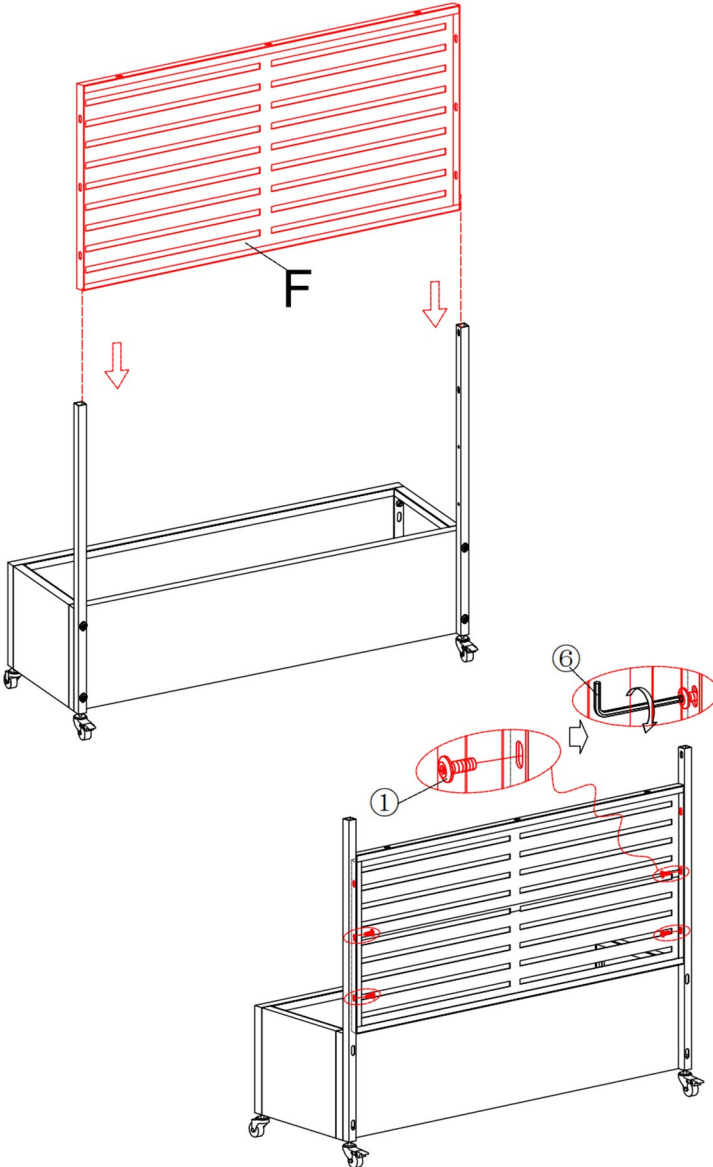
Place the Flat washer (4) over the holes at the four corners of the bottom board. Insert and screw in the wheels (M and N) as illustrated. Your raised garden bed is now fully assembled!



# step 7 ---Lower Trellis

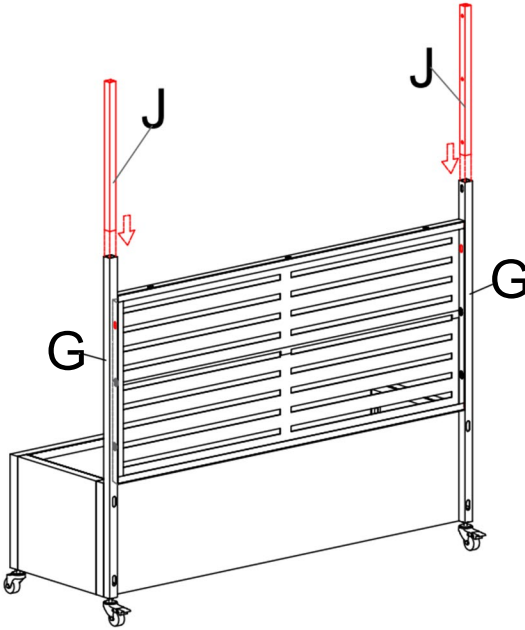
Insert the Lower trellis panel (F) .

Then secure the panel using screws (1). To ensure the holes align easily, follow the screw order shown in the diagram.



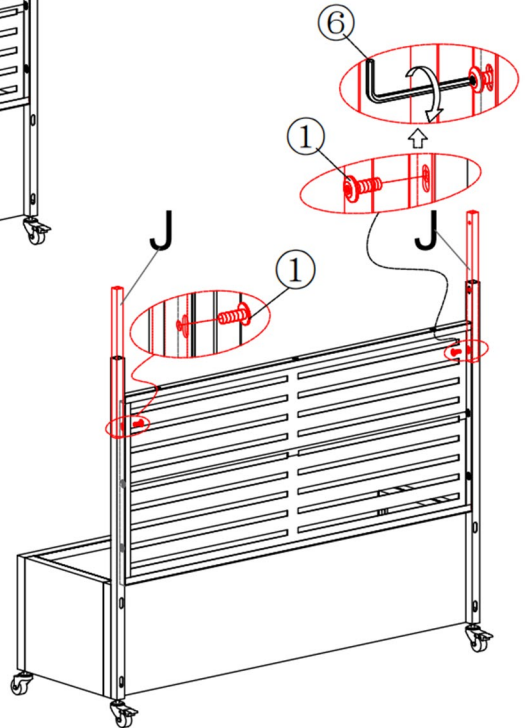
# step 8 ---Install the rods (J)

Connect the upper tubes (G) to the rods (J). Slide in the rods (J) and secure them using screws (1) lock the rods (J) in place, Check that all connections are stable.



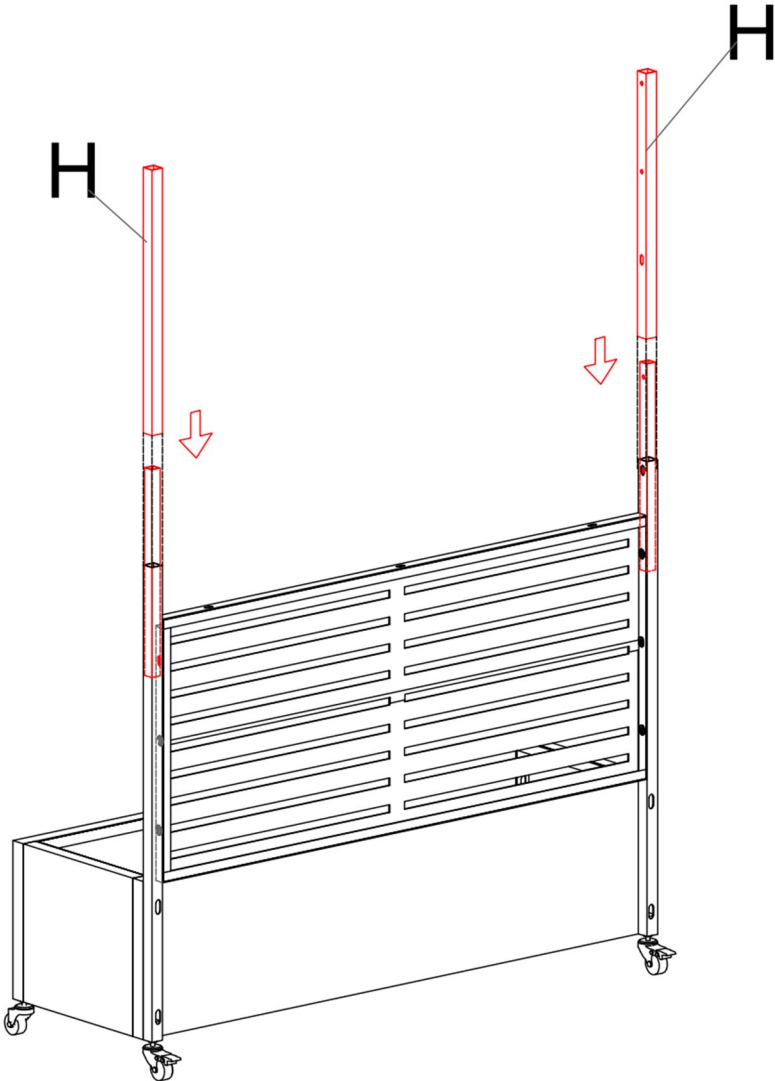
## Notice:

We suggest tightening the bolts for 30-50% first, make sure the process is correct and bolt holes are aligned, then fully tightening them all.



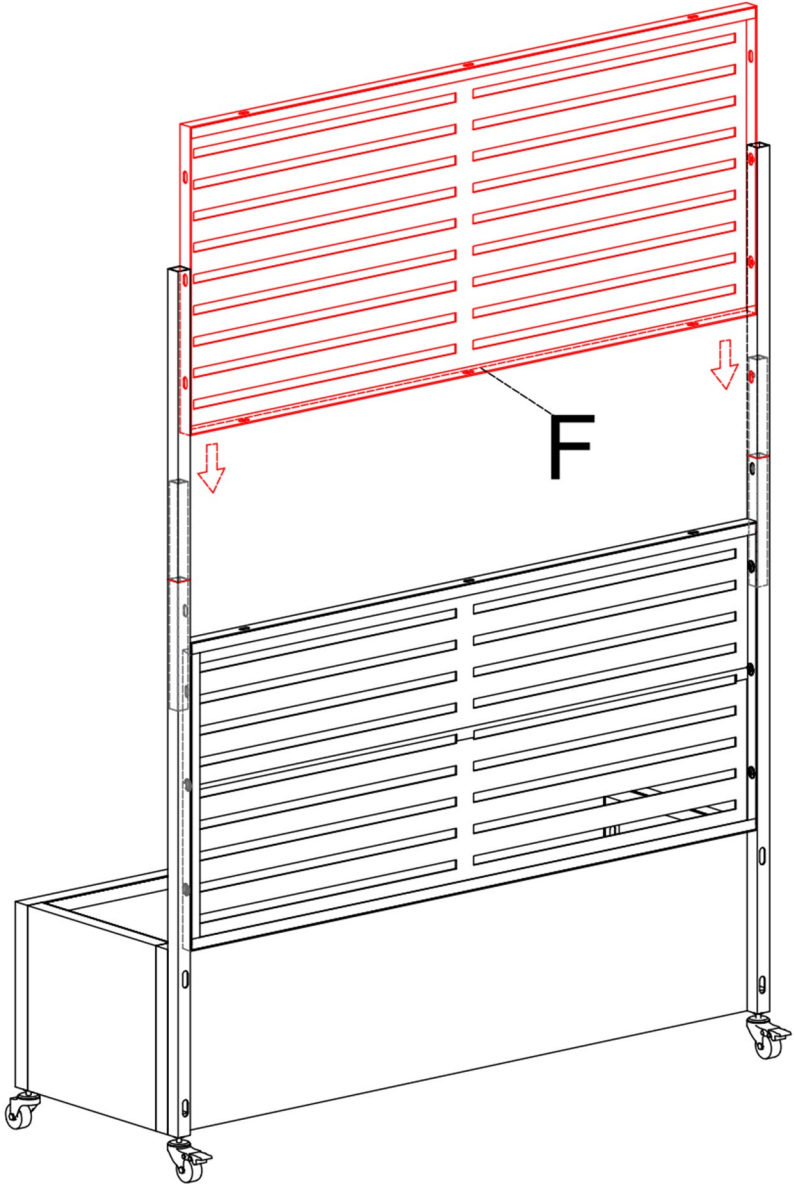
# step 9 ---Install the tubes (H)

Place the next set of tubes (H) onto the connecting rods (J).



# step 10 ---Middle Trellis

Insert the Middle trellis panel (F) .



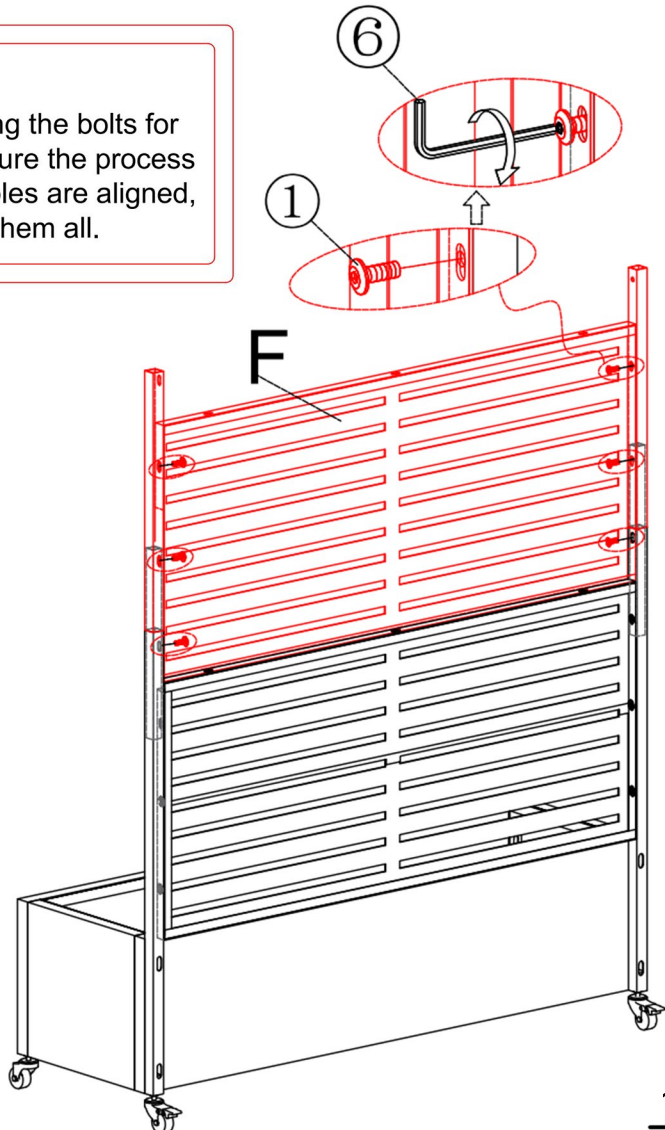
# step 11 ---Middle Trellis

Then secure the panel using screws (1). To ensure the holes align easily, follow the screw order shown in the diagram.



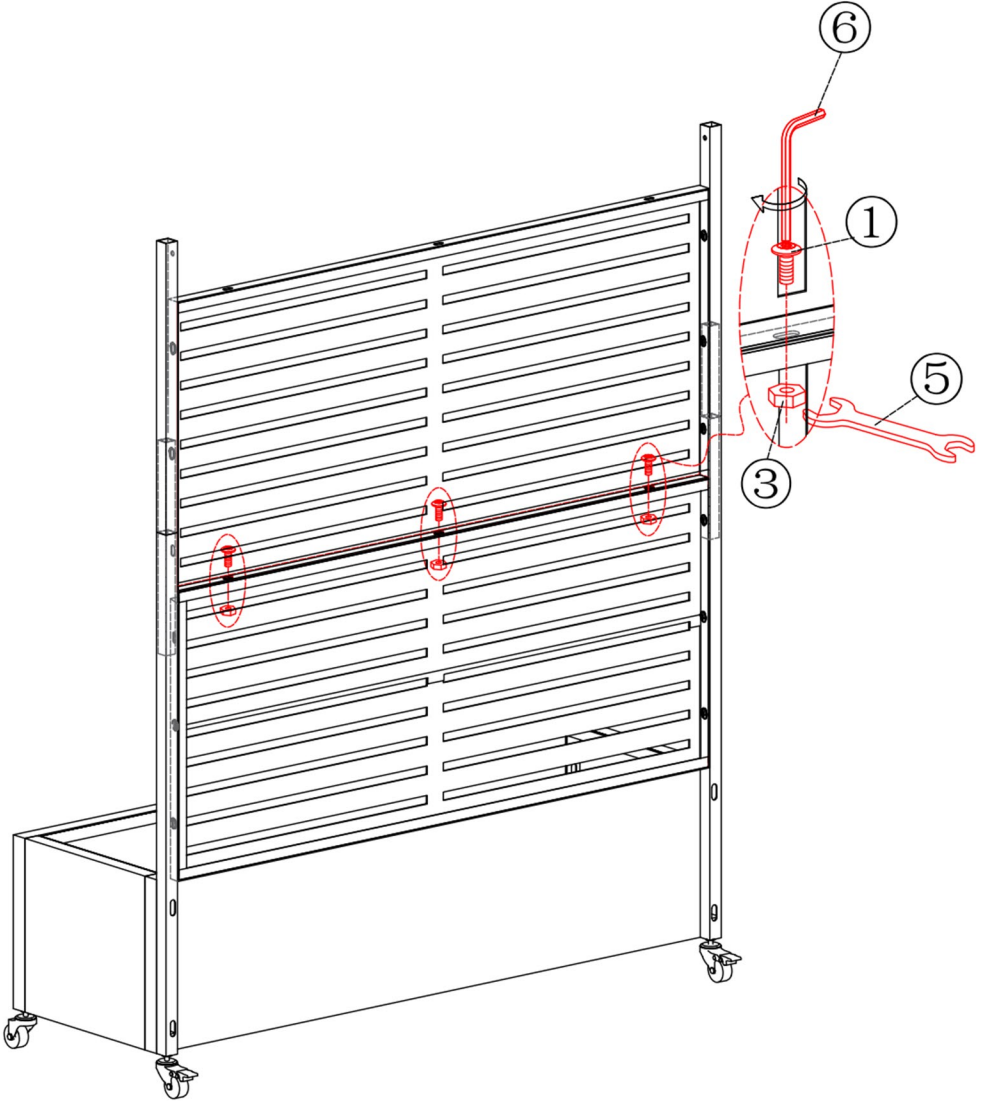
**Notice:**

We suggest tightening the bolts for 30-50% first, make sure the process is correct and bolt holes are aligned, then fully tightening them all.



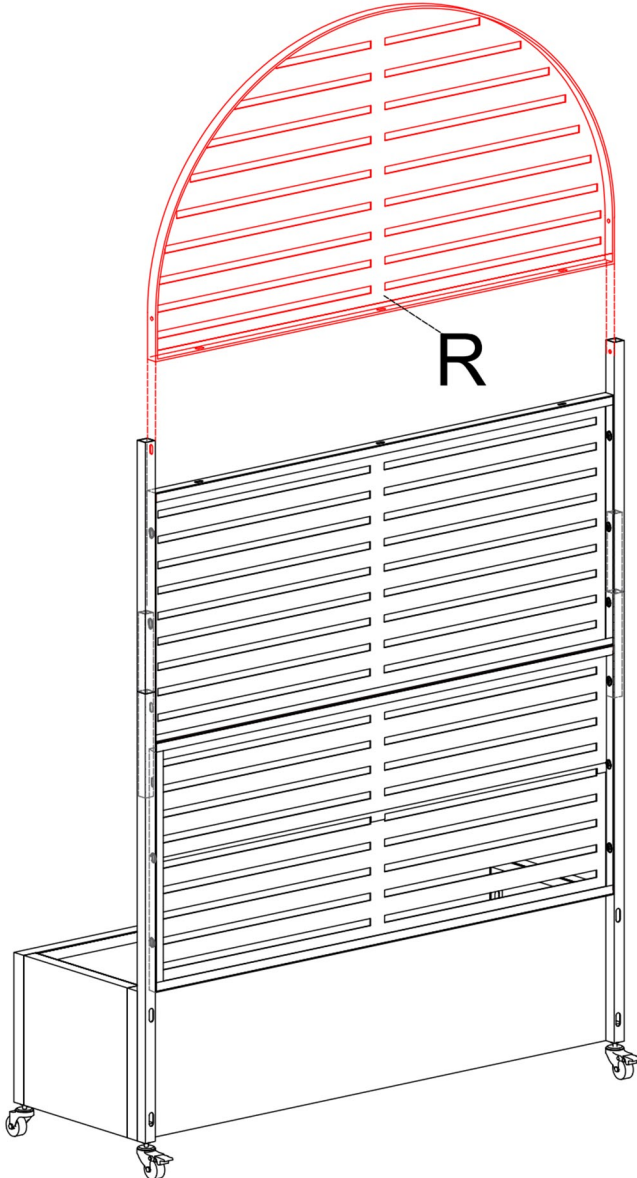
# step 12 ---Secure Trellis

Use the remaining screws (1) and nuts (3) to lock the trellis panels in place. Double-check that all screws are fully tightened to ensure the structure is stable.



# step 13 ---Top trellis

Insert the Top trellis panel (R) .



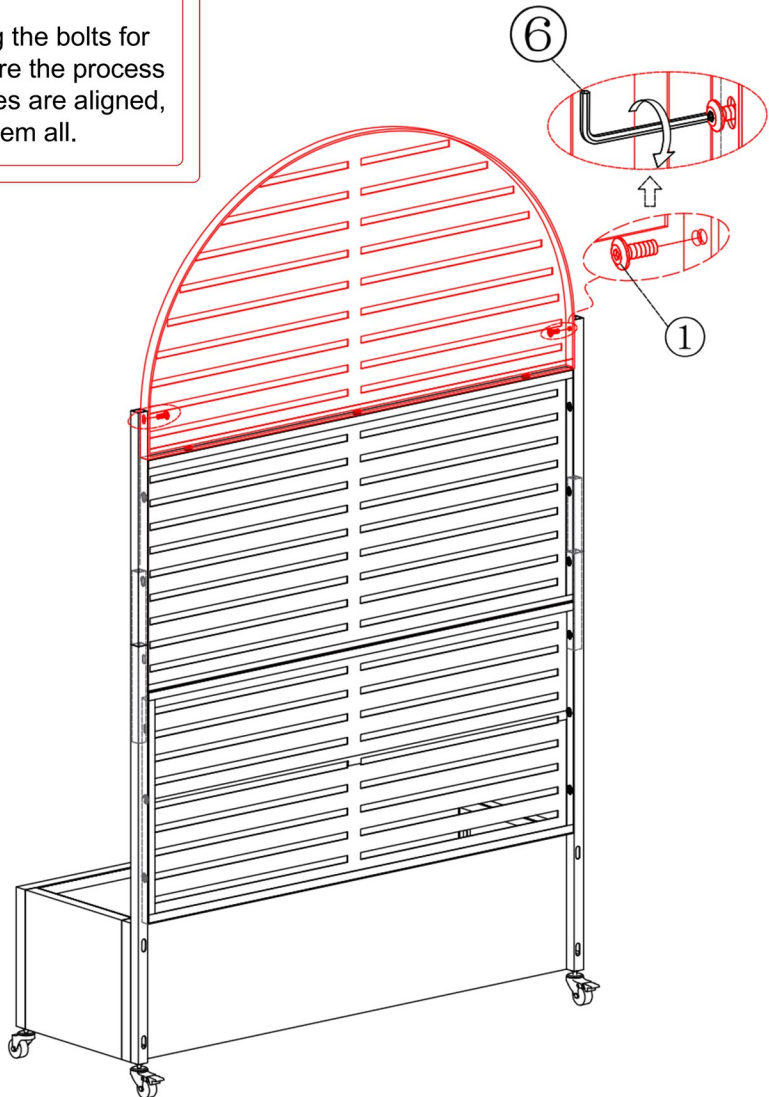
# step 14 ---Top trellis

Then secure the panel using screws (1). To ensure the holes align easily, follow the screw order shown in the diagram.



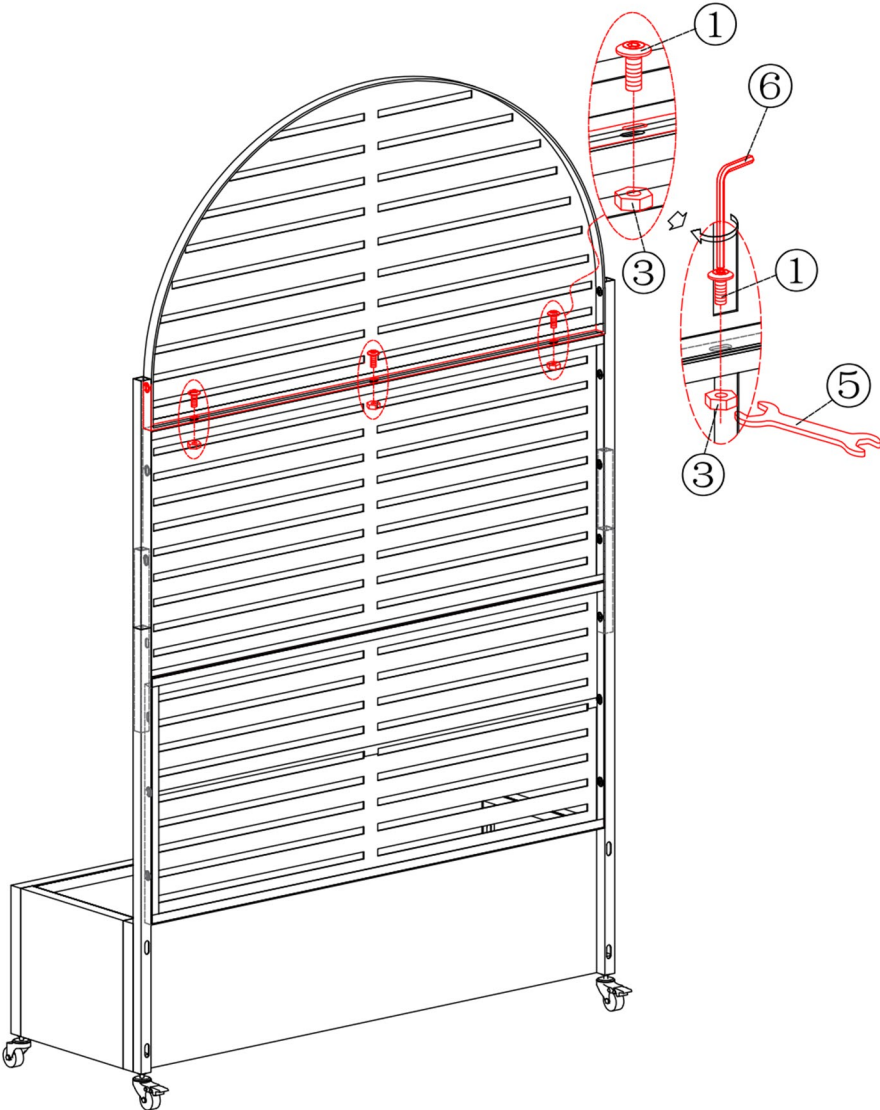
## Notice:

We suggest tightening the bolts for 30-50% first, make sure the process is correct and bolt holes are aligned, then fully tightening them all.



# step 15 ---Secure Trellis

Use the remaining screws (1) and nuts (3) to lock the trellis panels in place. Double-check that all screws are fully tightened to ensure the structure is stable.





## ASSEMBLY INSTRUCTIONS

Tel.(562)-781-3327

Please contact us:[info@firstopintl.com](mailto:info@firstopintl.com)

<https://www.dreamsidea.com>