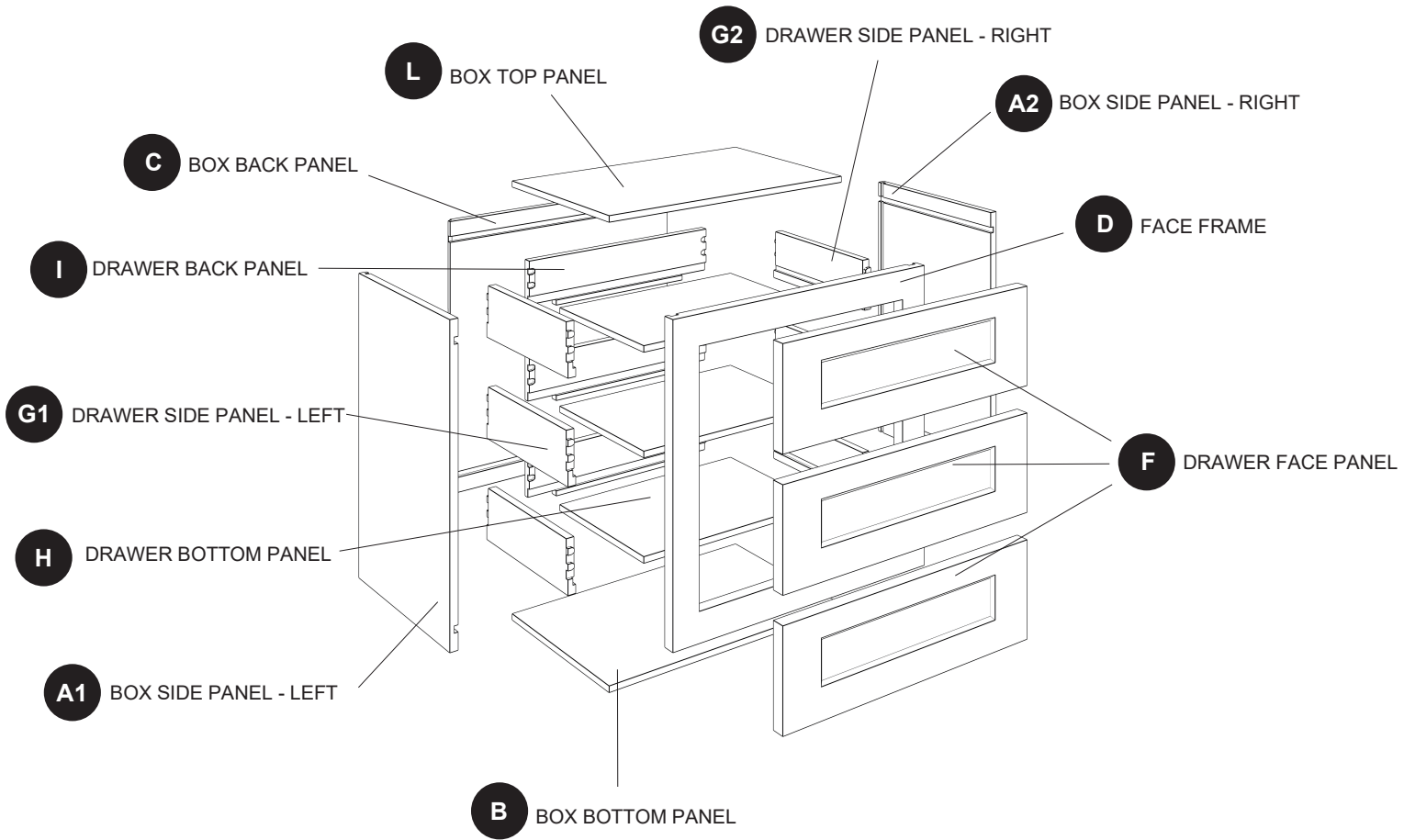


Wall Three Drawer Cabinet

Instruction Manual

MODEL: W3D18-E W3D24-E



PART	DESCRIPTION
A1	Box side panel - left
A2	Box side panel - right
B	Box bottom panel
C	Box back panel
D	Face frame
L	Box top panel

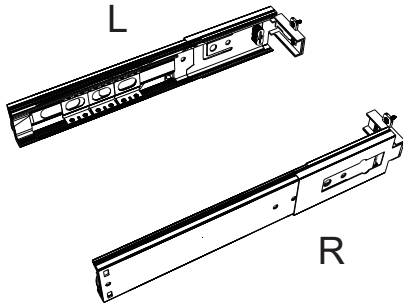
PART	DESCRIPTION
F	Drawer face panel
G1	Drawer side panel - left
G2	Drawer side panel - right
H	Drawer bottom panel
I	Drawer back panel

CAUTION

- Be sure to carefully remove all parts from the carton and ensure that there are no damages to any of them.
- The hardware should be kept away from children when unpacking and assembling this product. Two adults are recommended for assembly.
- Follow the instructions in the instruction manual carefully and strictly to ensure that the product is assembled and operates as intended.
- Do not tighten all the screws until all the adjacent parts have been properly connected. Please do not throw away extra screws. Please refer to the actual product for the screw hole position.

HARDWARE CONTENTS

AA Glide and runner profile x 6

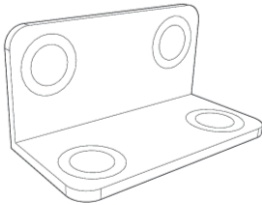


Included:
2/1" Flat Head Phillips Screw x 36



*Two additional pieces are included as an extra

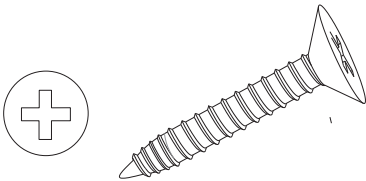
EE Corner brace x 14



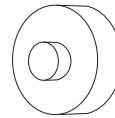
Included:
1/2" Round Head Phillips Screw x 56



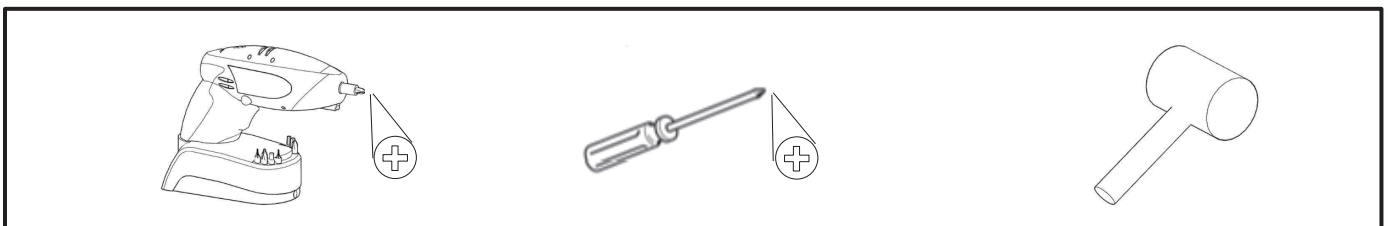
GG 1" Flat head Phillips screw x 6



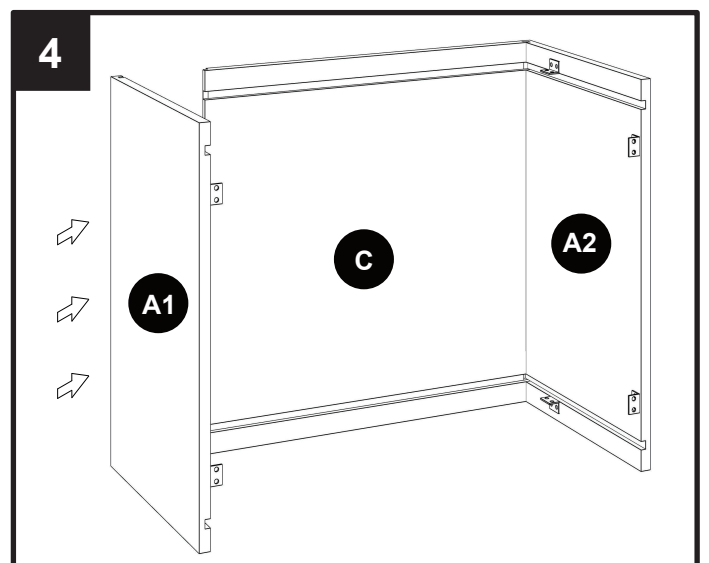
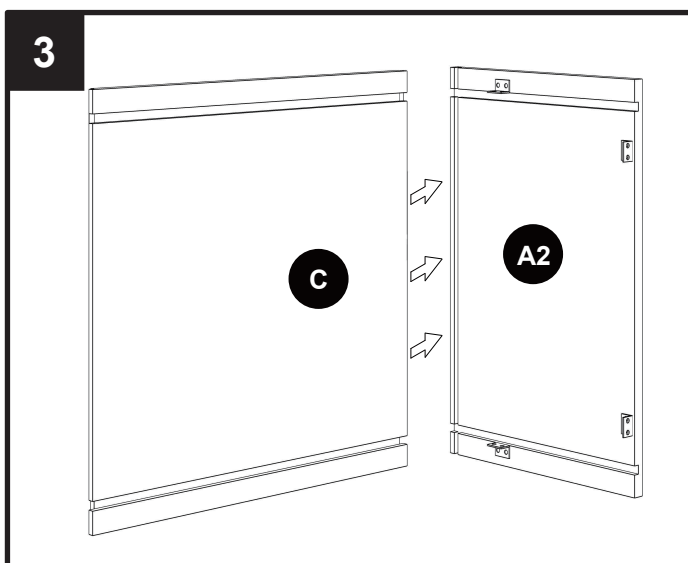
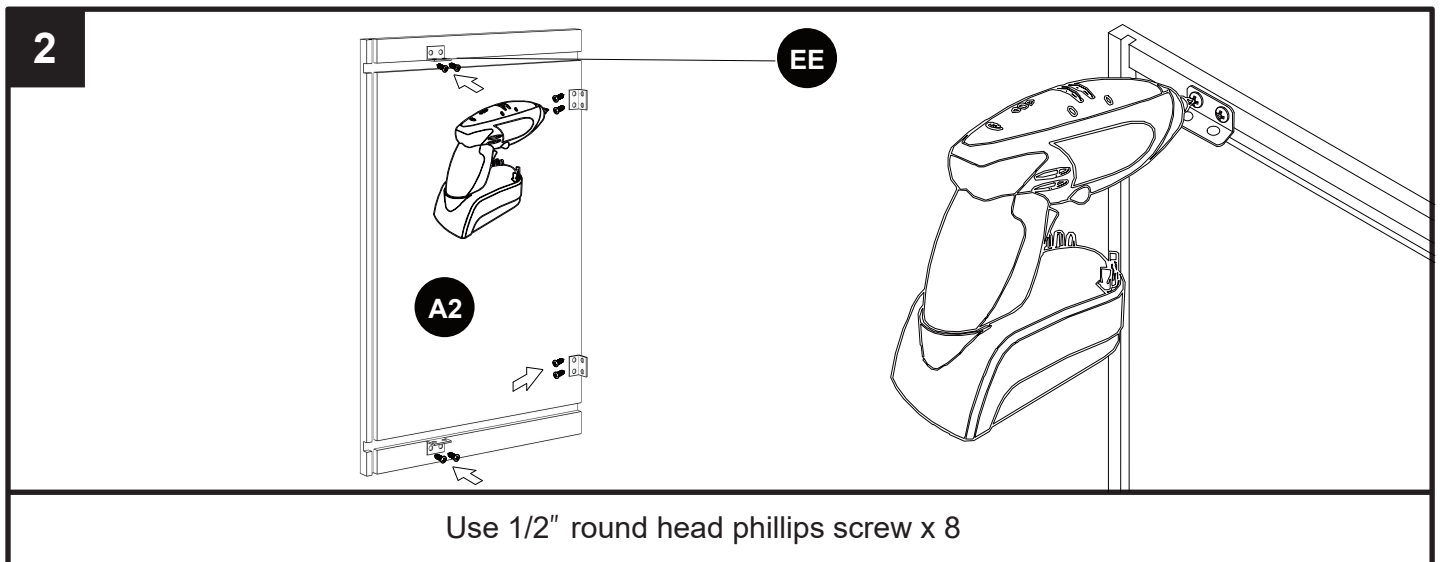
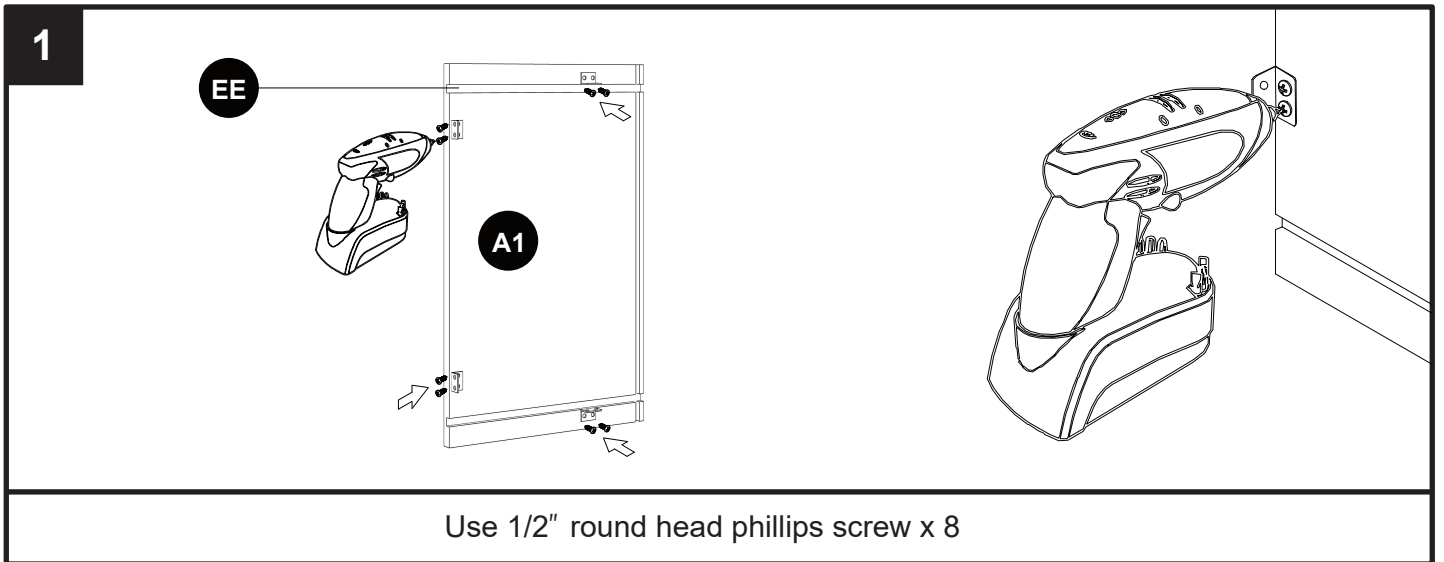
HH Rubber bumper x 12

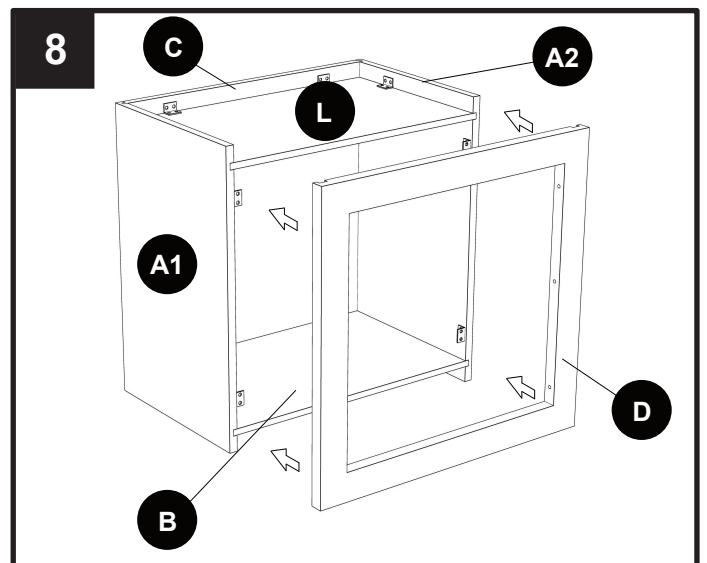
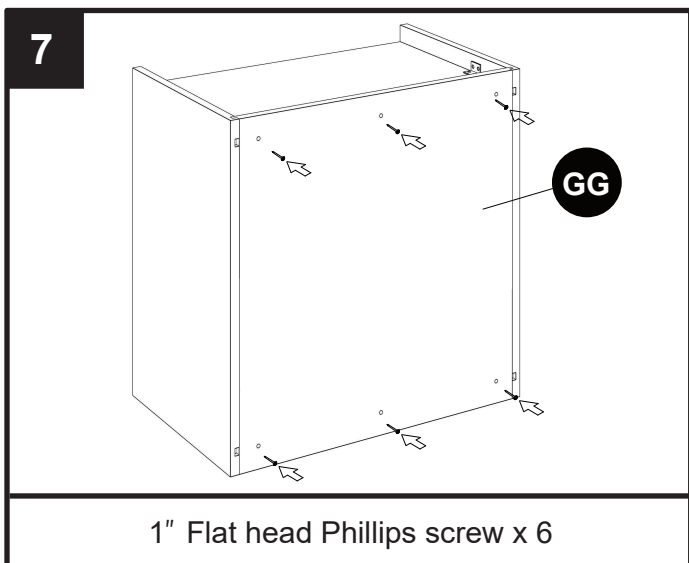
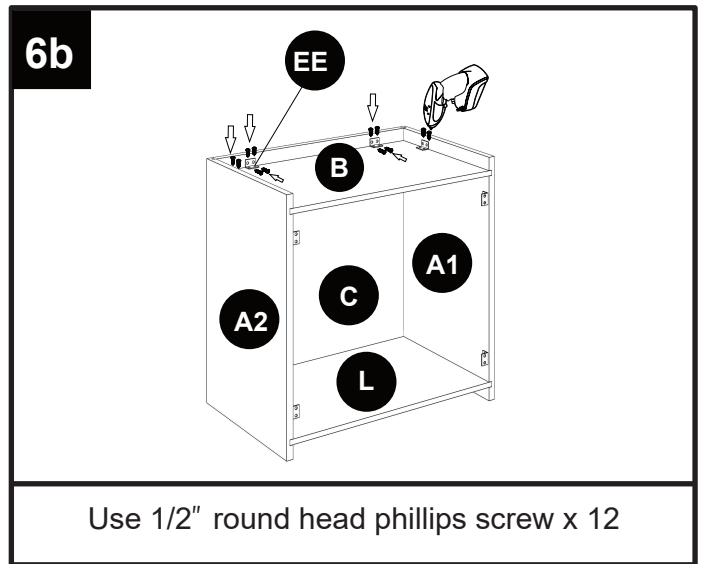
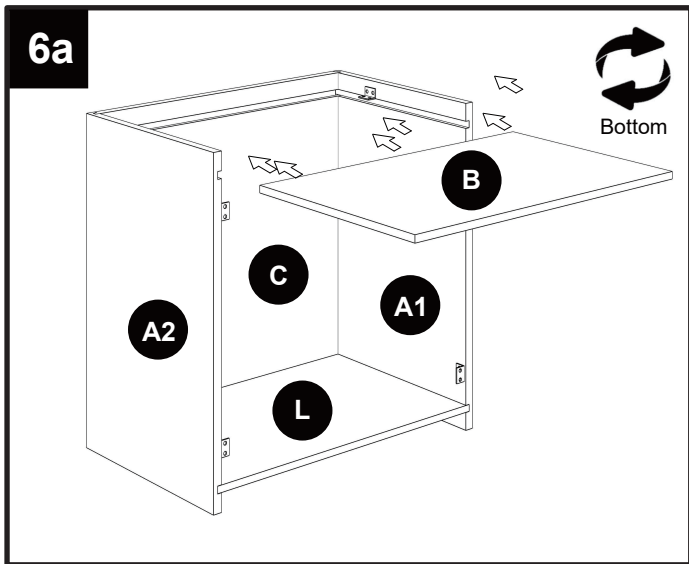
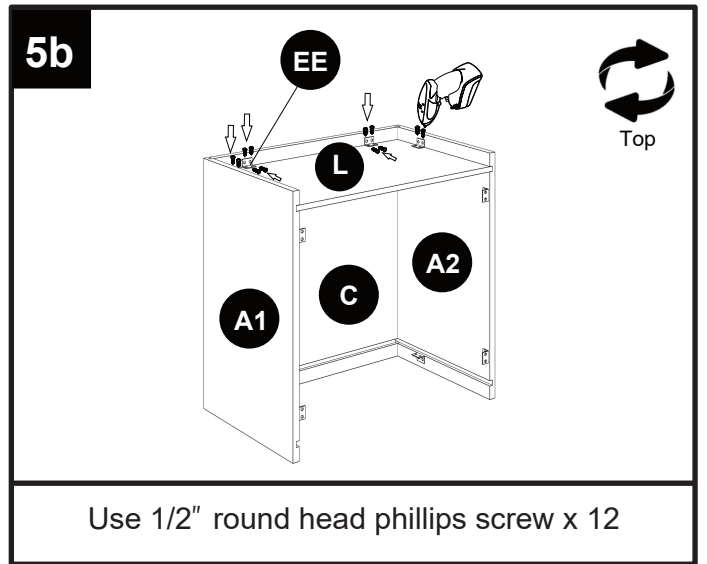
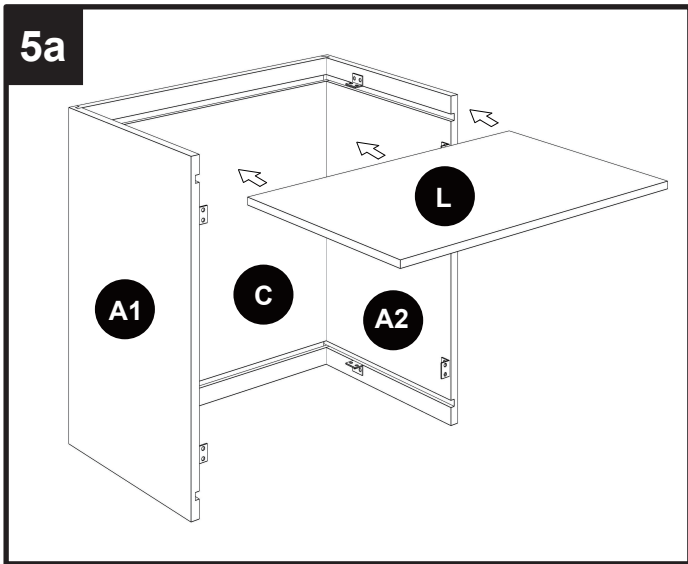


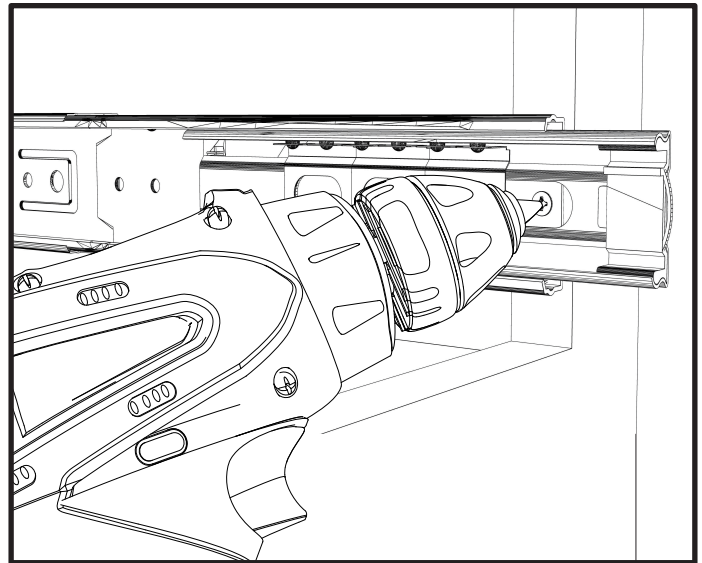
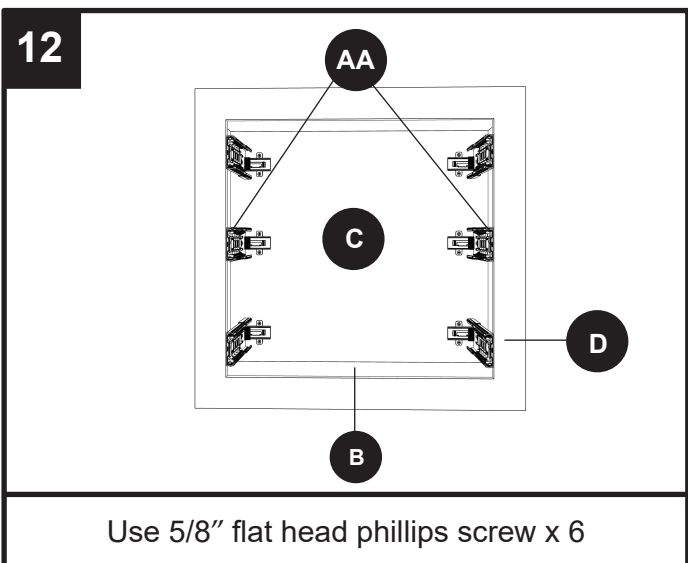
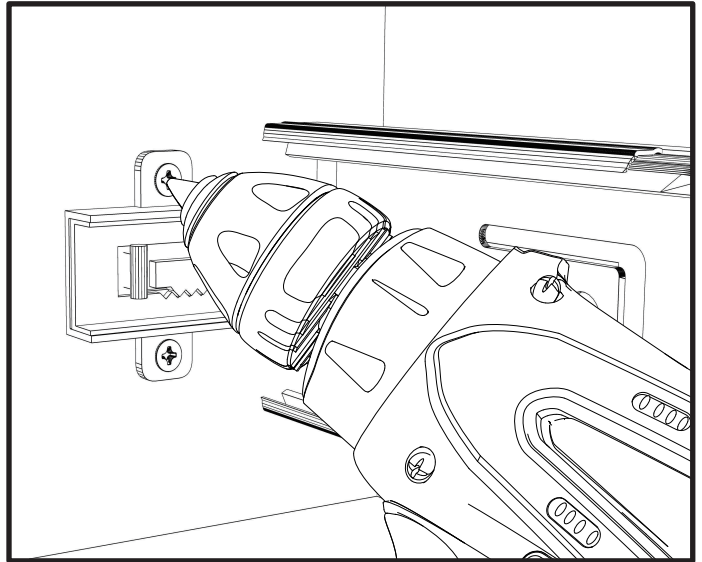
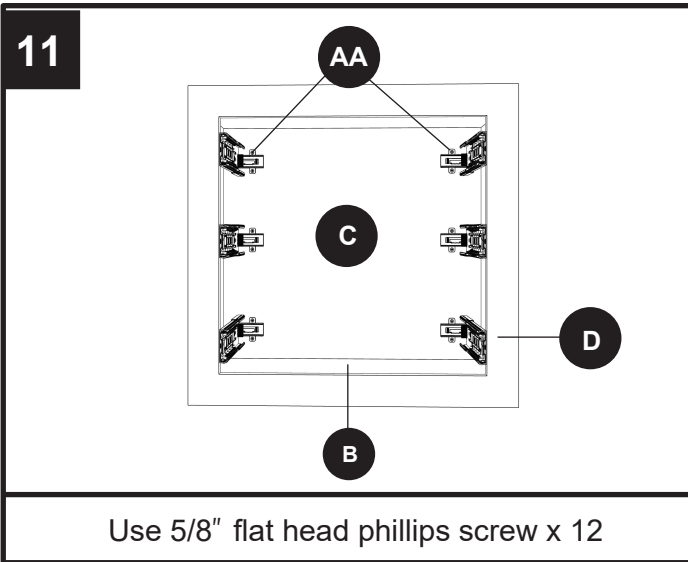
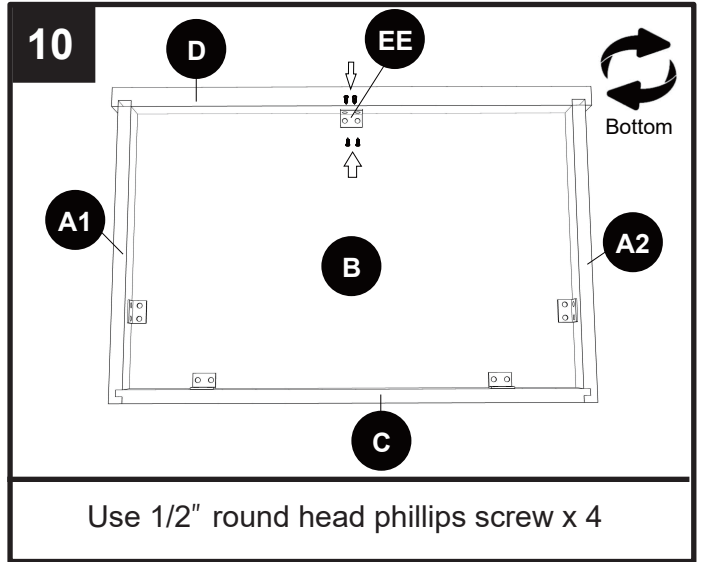
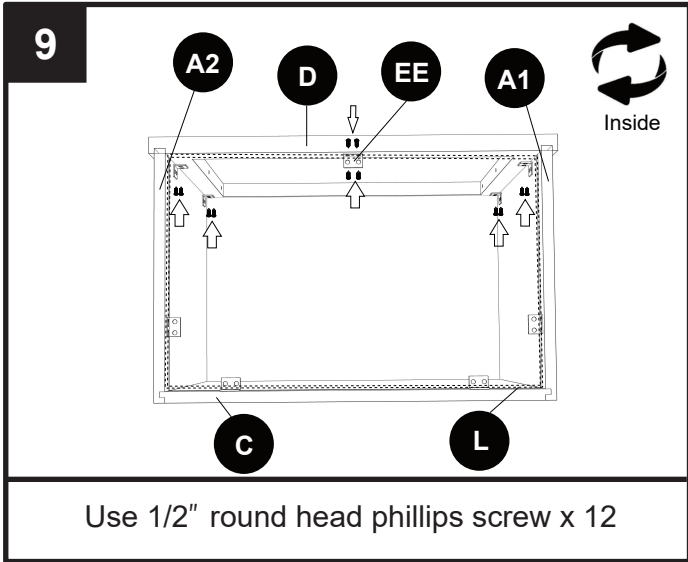
TOOLS REQUIRED (NOT INCLUDED)

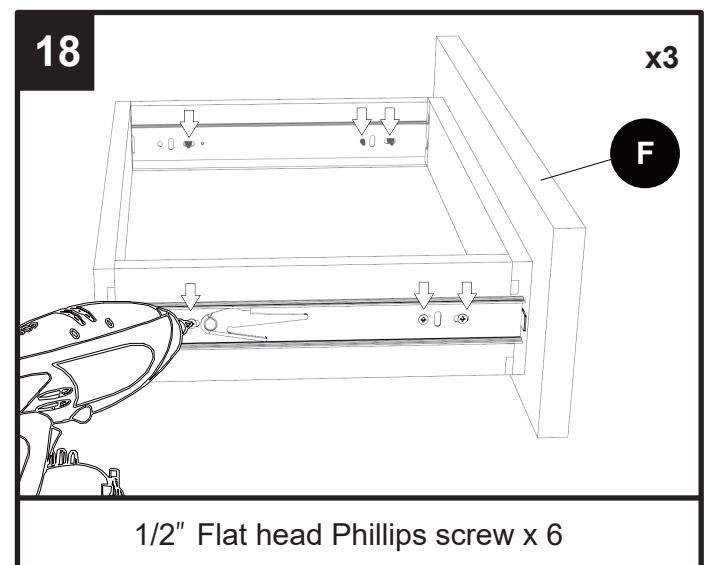
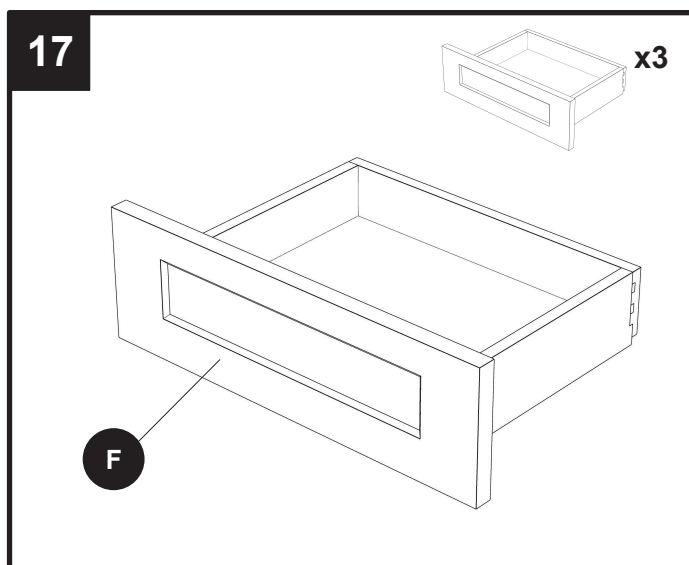
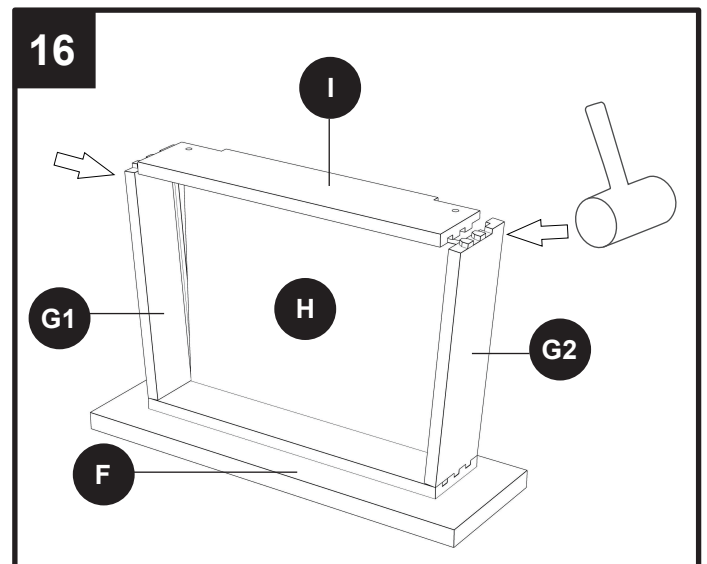
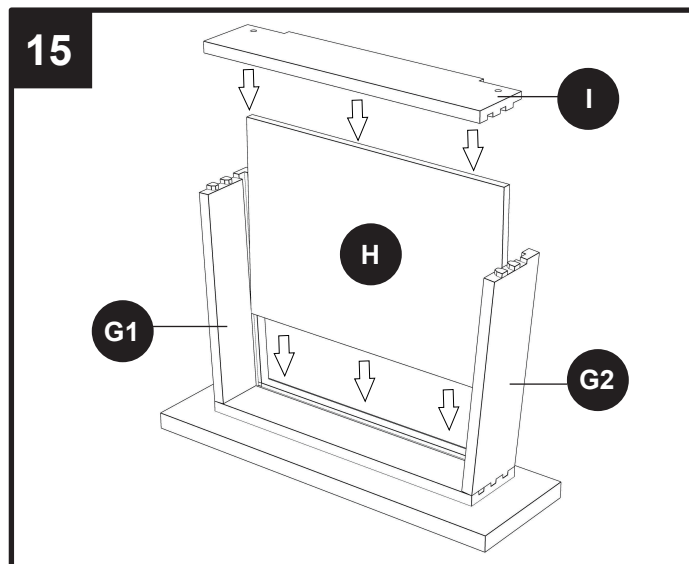
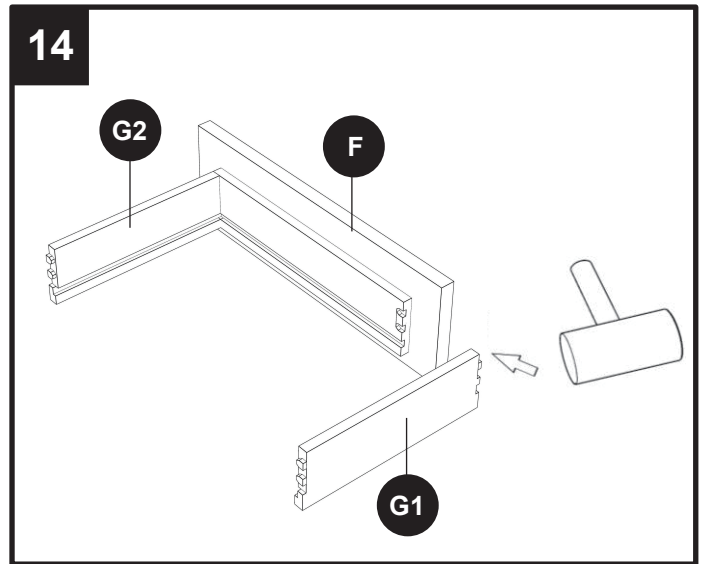
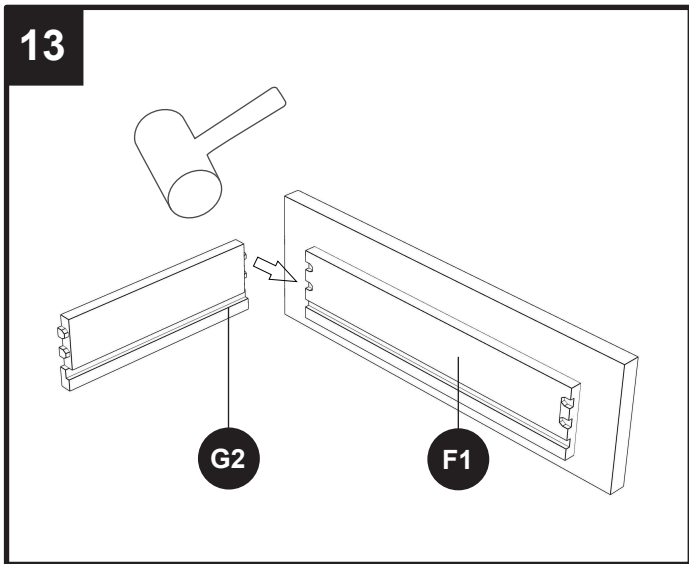


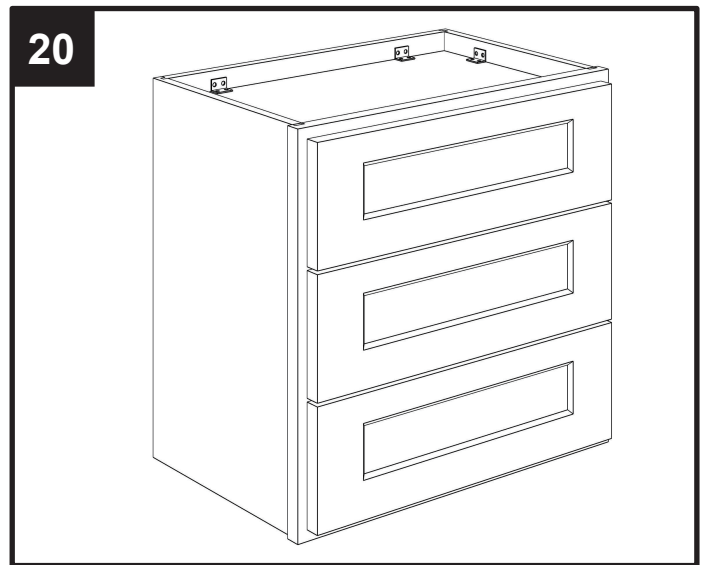
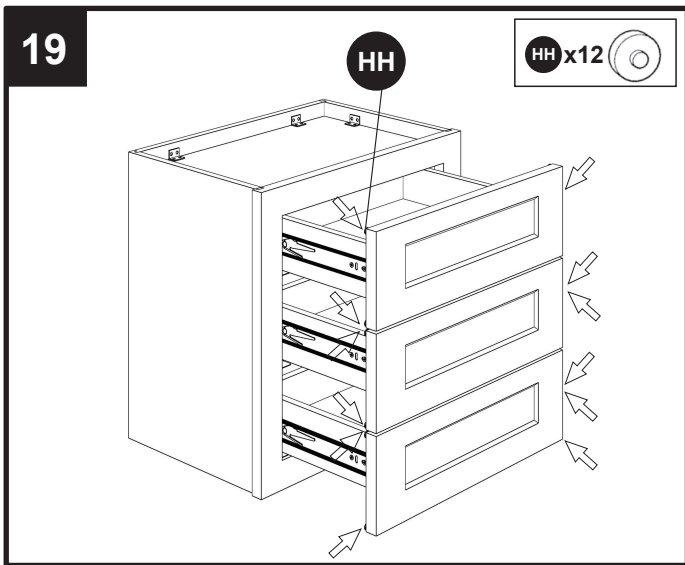
INSTALLATION OVERVIEW











Dear customers,
Thank you for purchasing our product. If you require assistance, please contact the customer service team at the retailer where you purchased the product. The customer service team will be happy to assist you.