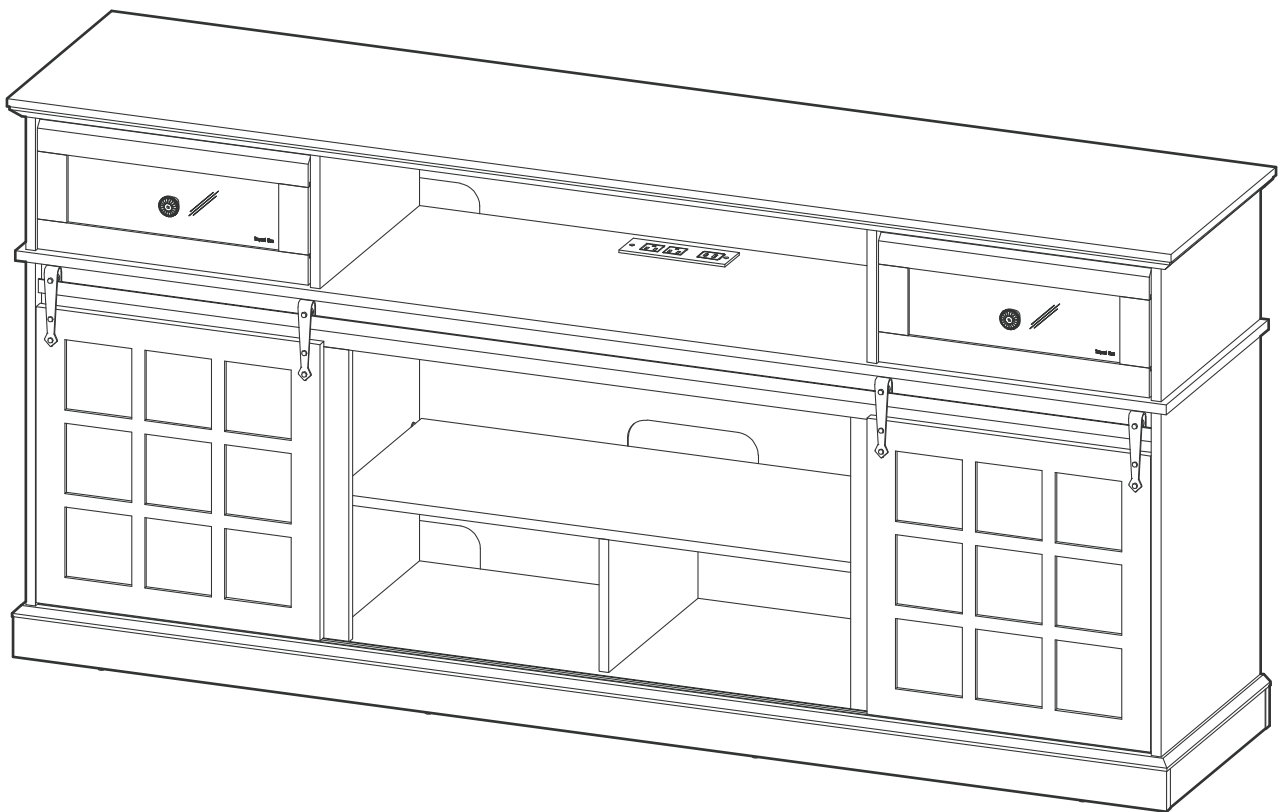
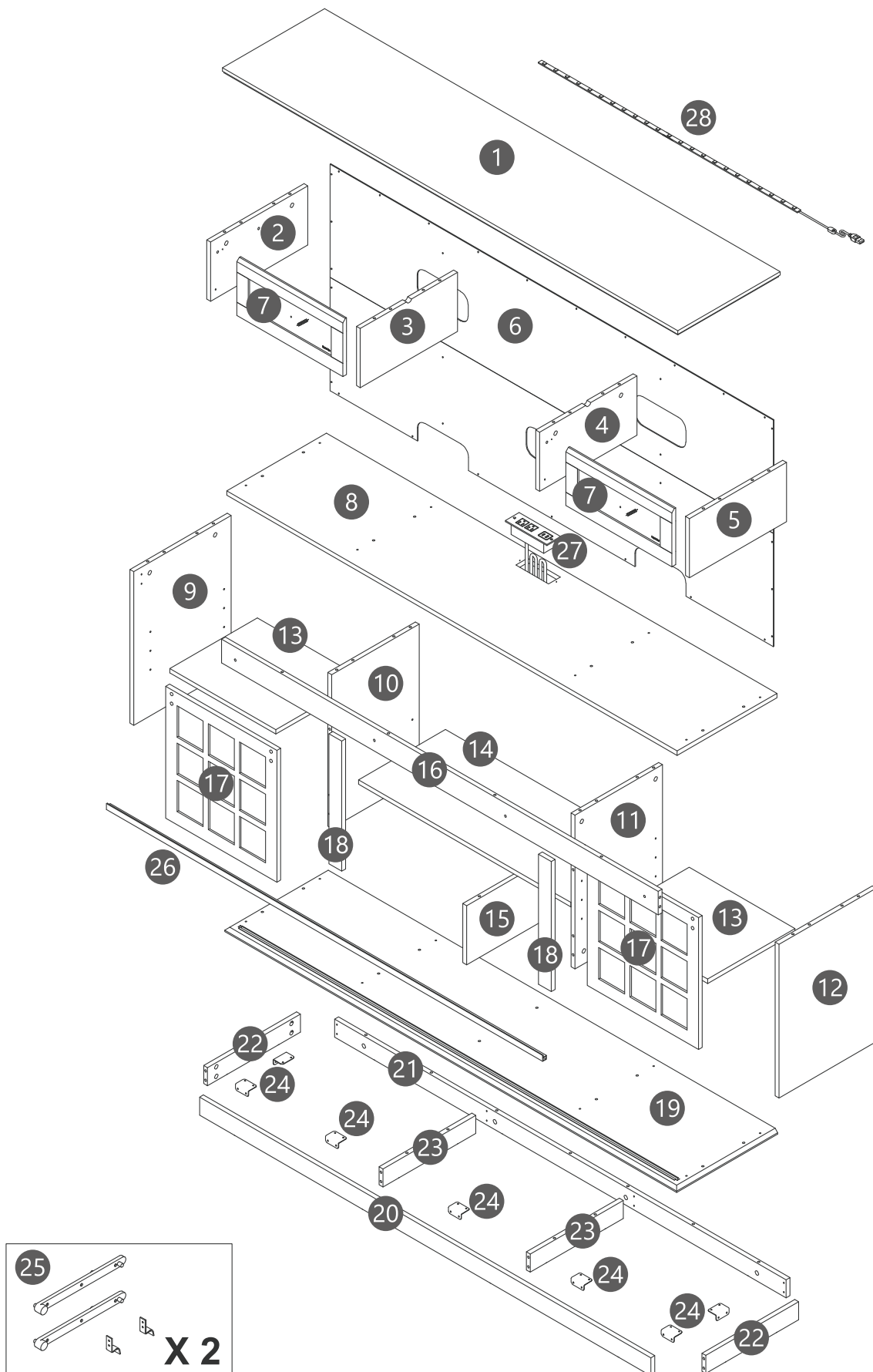


# CUSTOMER MANUAL

-V0.1

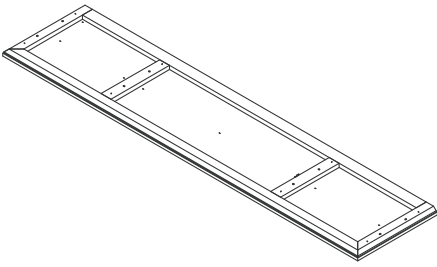


# ASSEMBLY STRUCTURE REFERENCE DIAGRAM

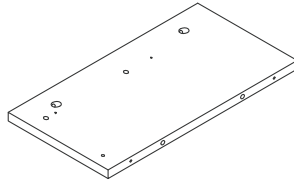


# PARTS

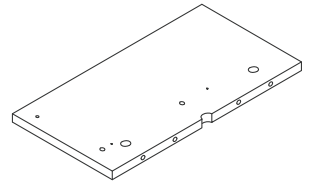
1



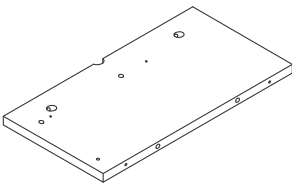
2



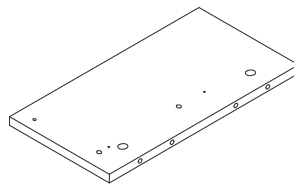
3



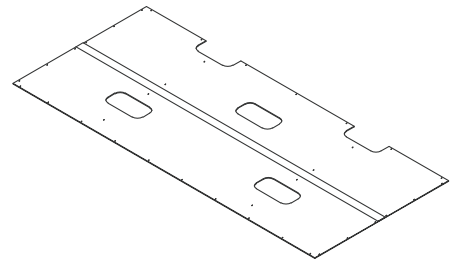
4



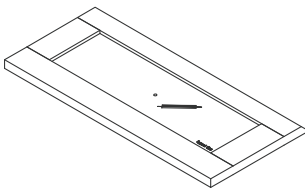
5



6

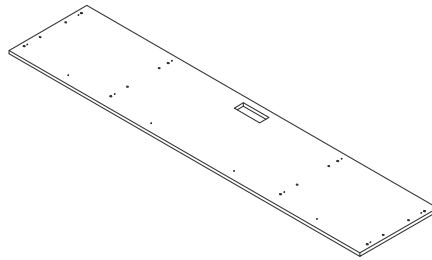


7

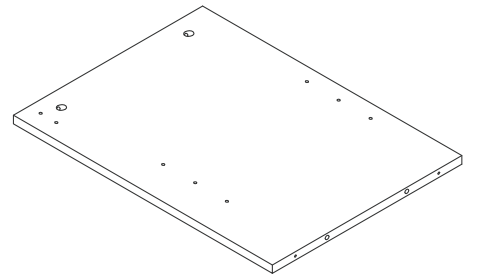


X 2

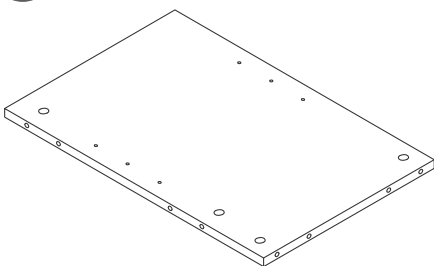
8



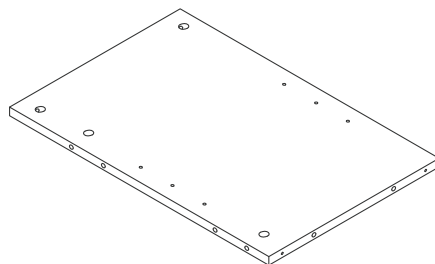
9



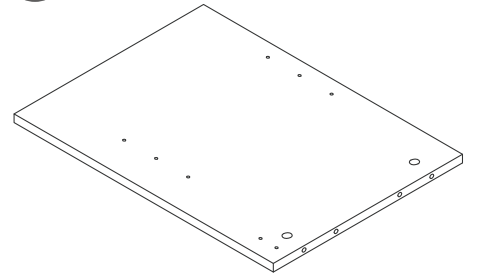
10



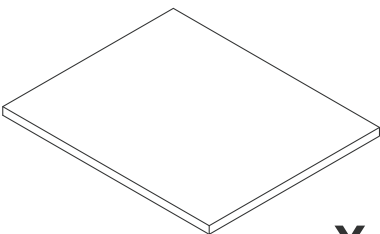
11



12

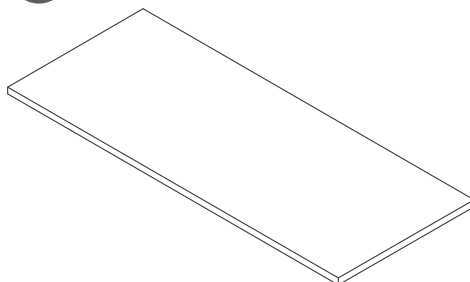


13

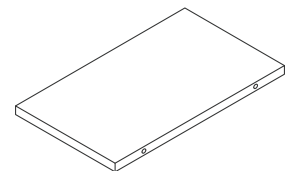


X 2

14

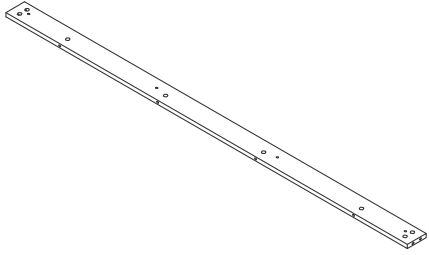


15

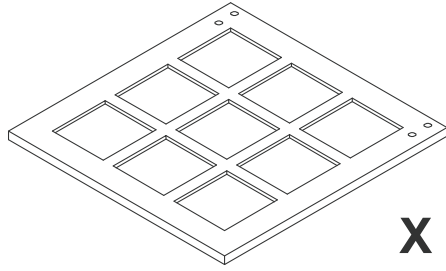


# PARTS

16

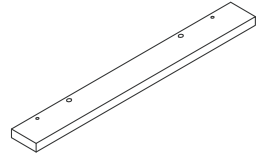


17



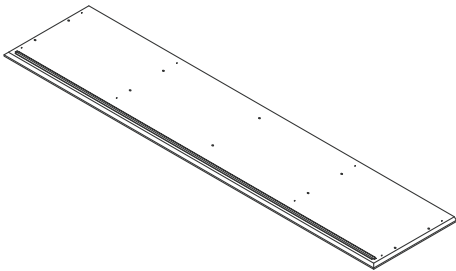
X 2

18

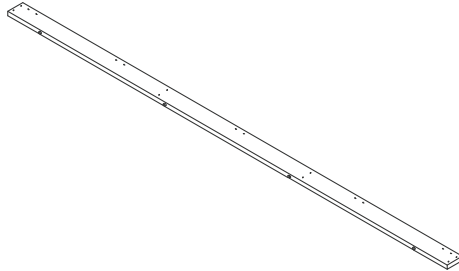


X 2

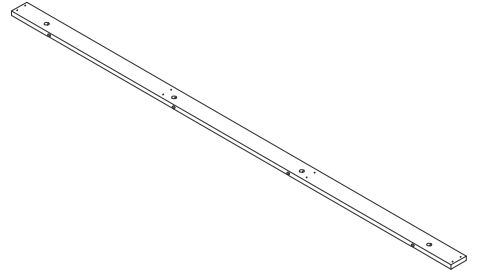
19



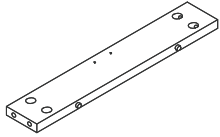
20



21

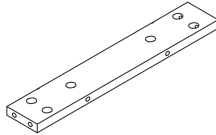


22



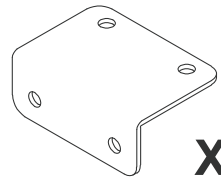
X 2

23



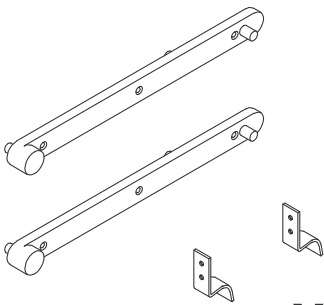
X 2

24



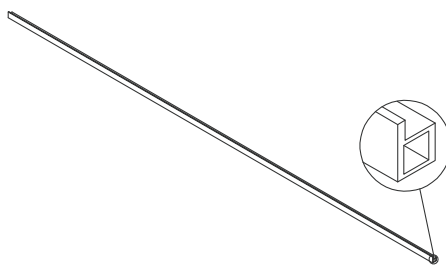
X 7

25

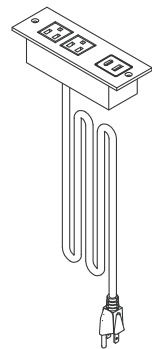


X 2

26



27

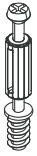


28



# PARTS

A



M5 x 42mm  
X 52PCS

B



Ø15 x 12mm  
X 52PCS

C



Ø8 x 40mm  
X 43PCS

D



M5 x 40mm  
X 16PCS

E



M6 x 10mm  
X 8PCS

F



M6 x 20mm  
X 4PCS

G



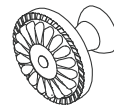
M4 x 10mm  
X 2PCS

H



Ø16  
X 2PCS

I



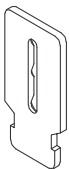
X 2PCS

J



X 12PCS

K



X 4PCS

L



X 4PCS

M



X 4PCS

N



M3.5 x 12mm  
X 8PCS

O



X 8PCS

P



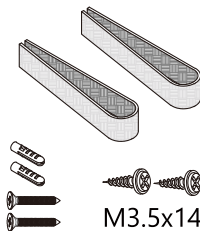
M3 x 18mm  
X 8PCS

Q



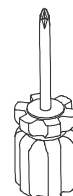
M3.5 x 14mm  
X 81PCS

R



X 1SETS

S



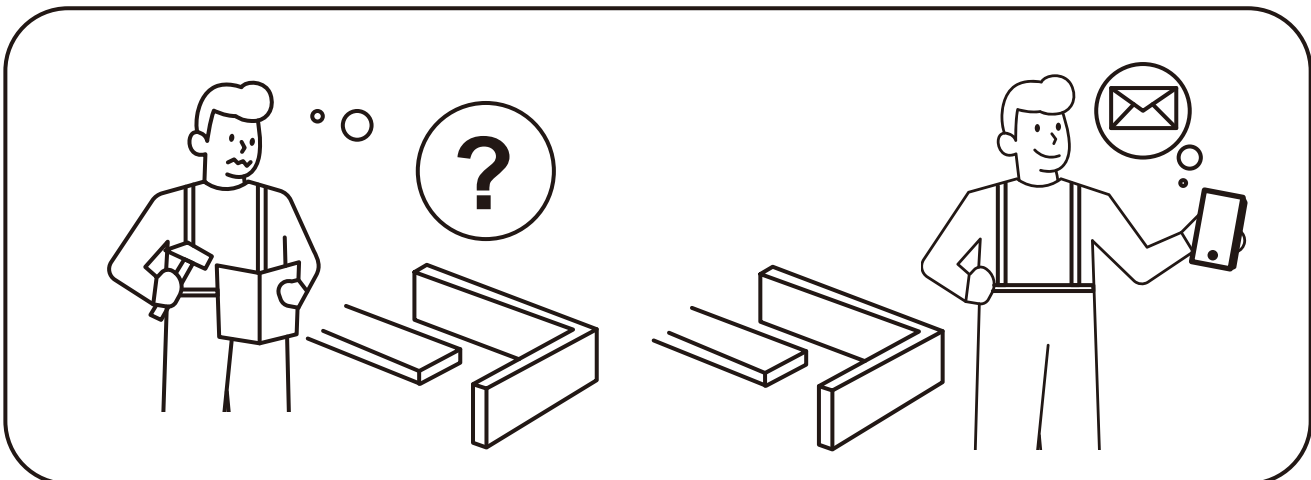
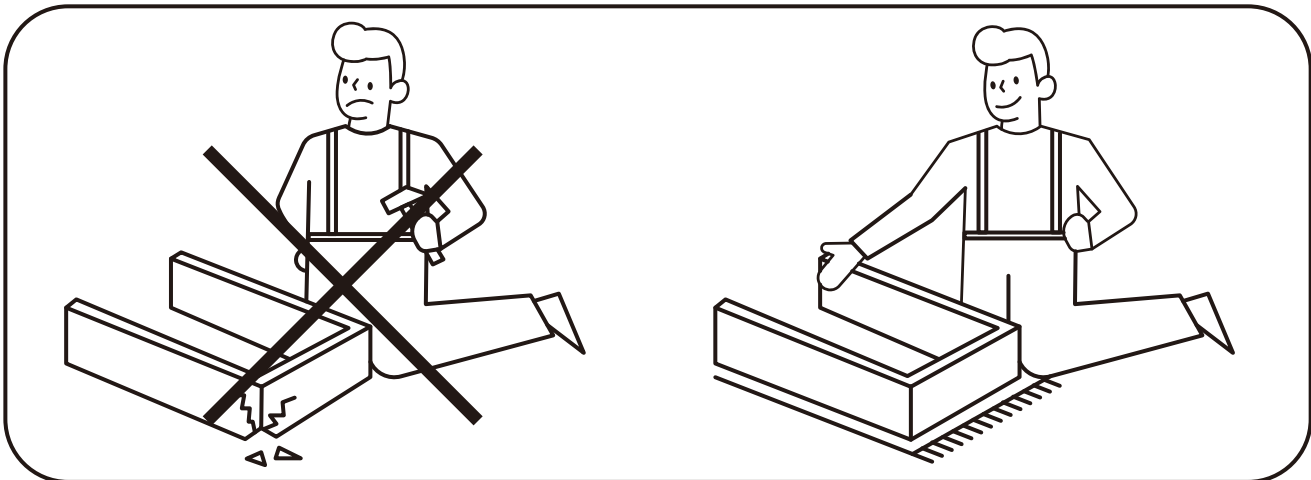
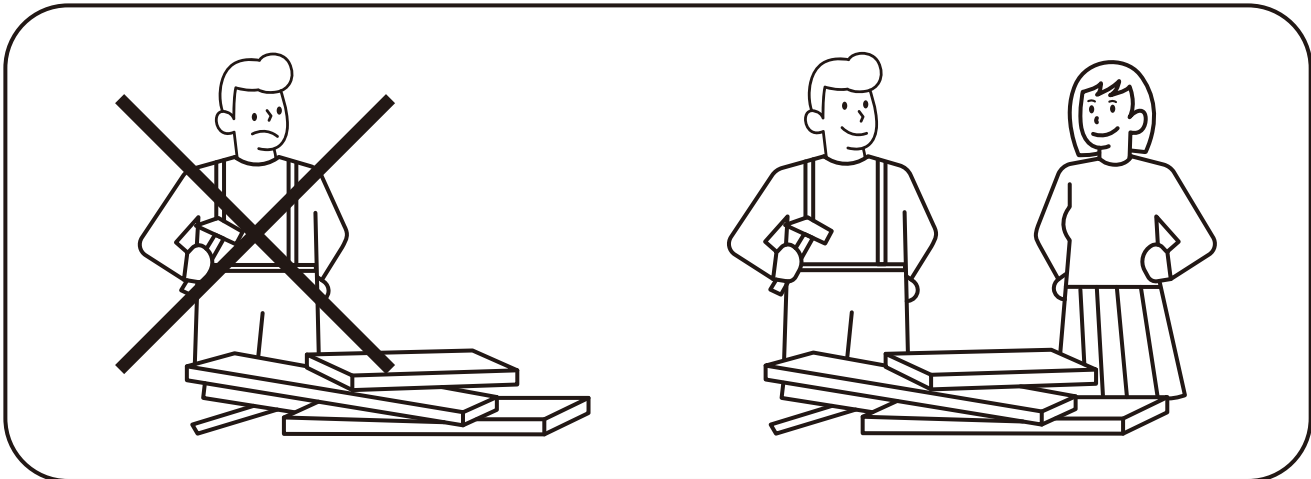
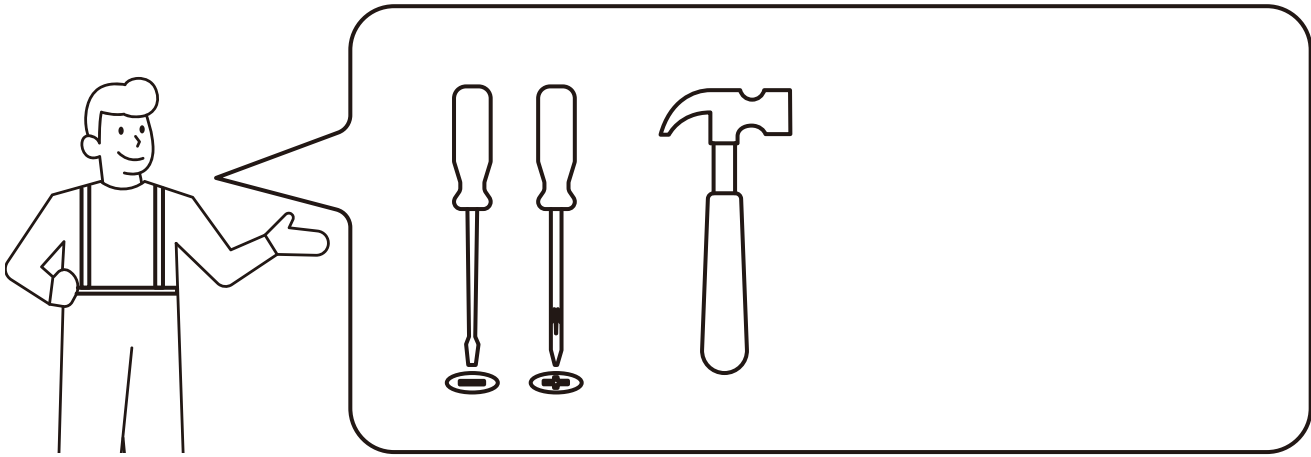
X 1PCS

T

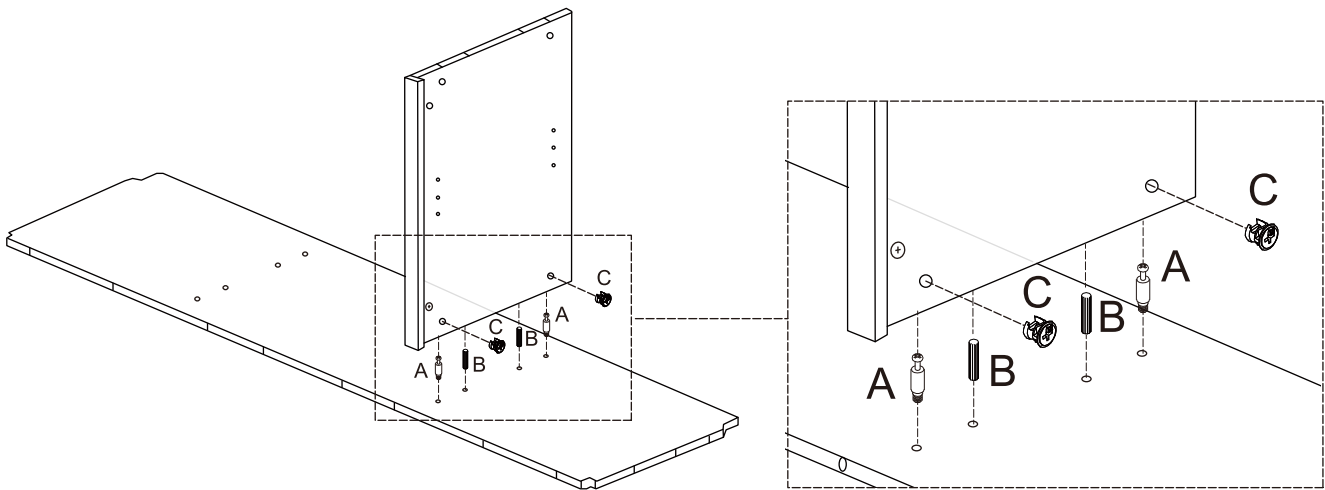


X 1PCS

The hardware quantities listed above are required for proper assembly. Some extra hardware may also have been included.

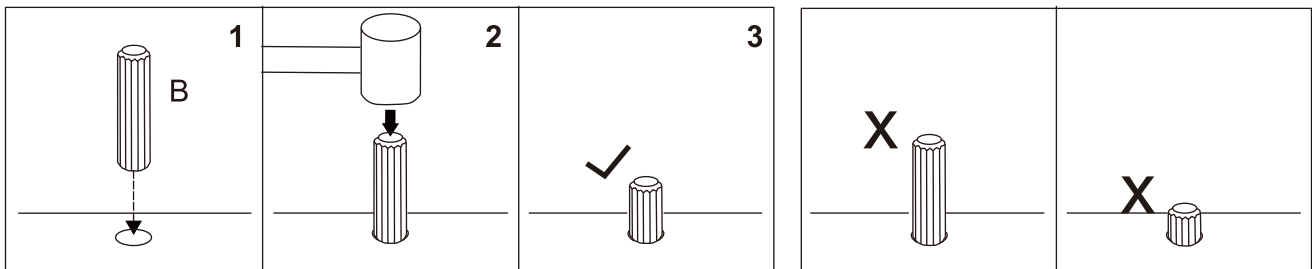


## How to work the Knock Down (kd) assembly system

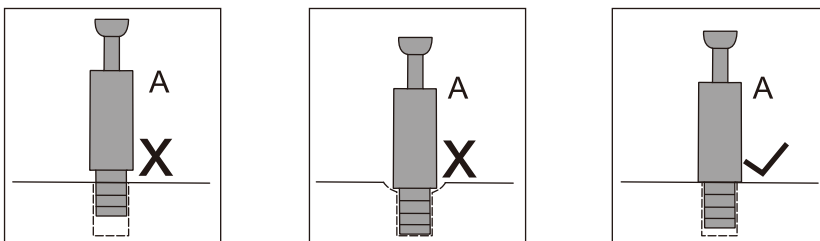


## How to install Wood Dowel

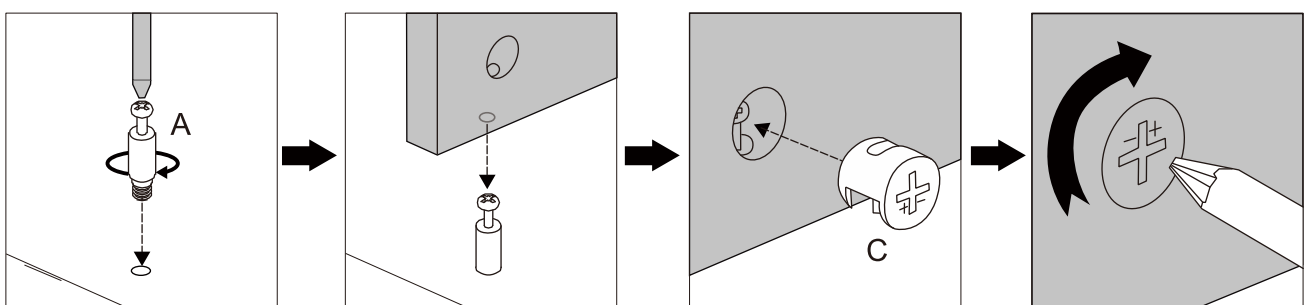
Insert the wood dowel [B] at least half way by tapping lightly with a rubber mallet, IF NECESSARY.



## How to use the Cam Lock system



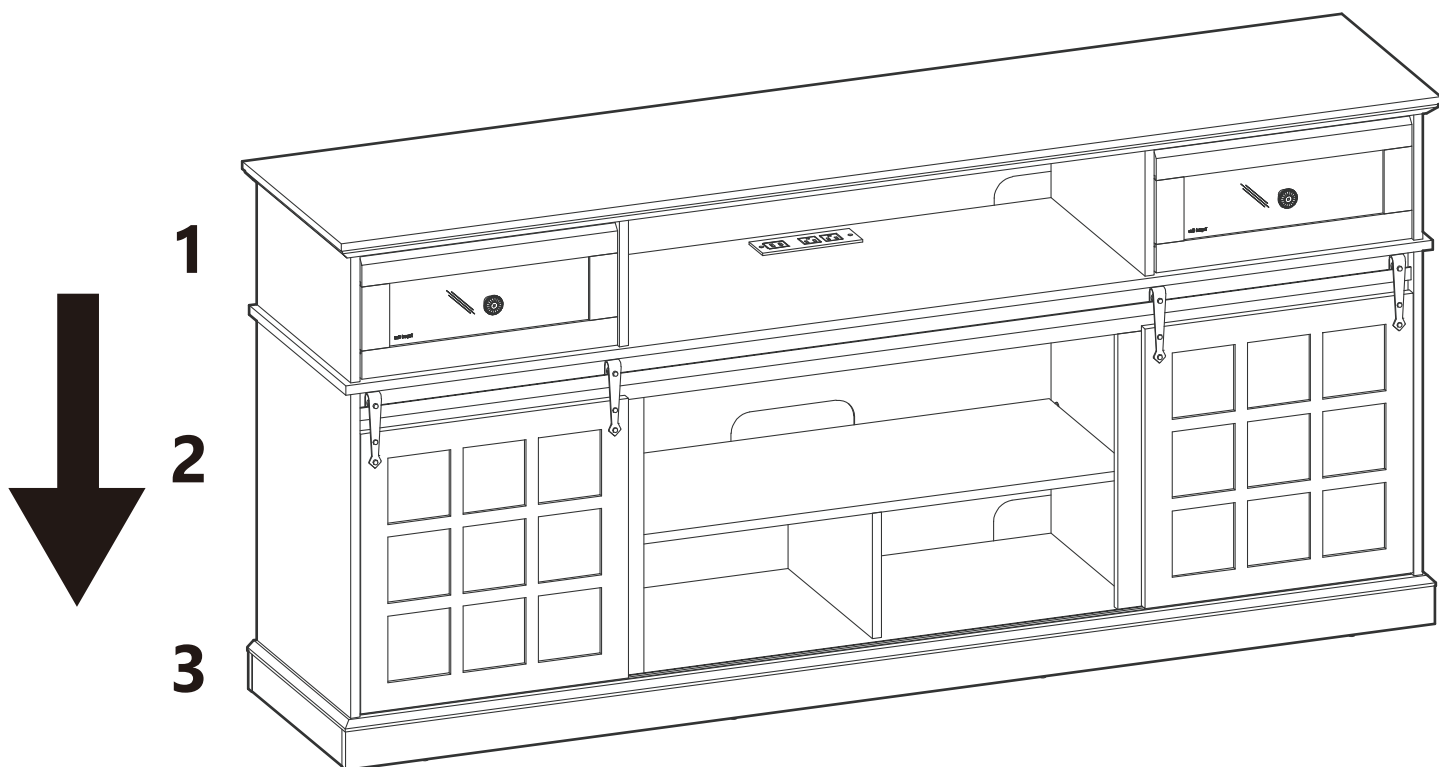
1. Screw the cam bolt [A] into the threaded insert on the panel.
2. Connect both panels together making sure cam bolt [A] goes into the pre-drilled large hole on the end of panel for cam lock [C].
3. Insert the cam lock [C] into the pre-drilled large hole on the panel. **Make sure the cross slot of cam lock [C] faces out.**
4. Rotate the cam lock [C] **clockwise** with a self-supplied philips screwdriver to lock the cam bolt [A] in place.



# You are now ready to assemble the TV Stand

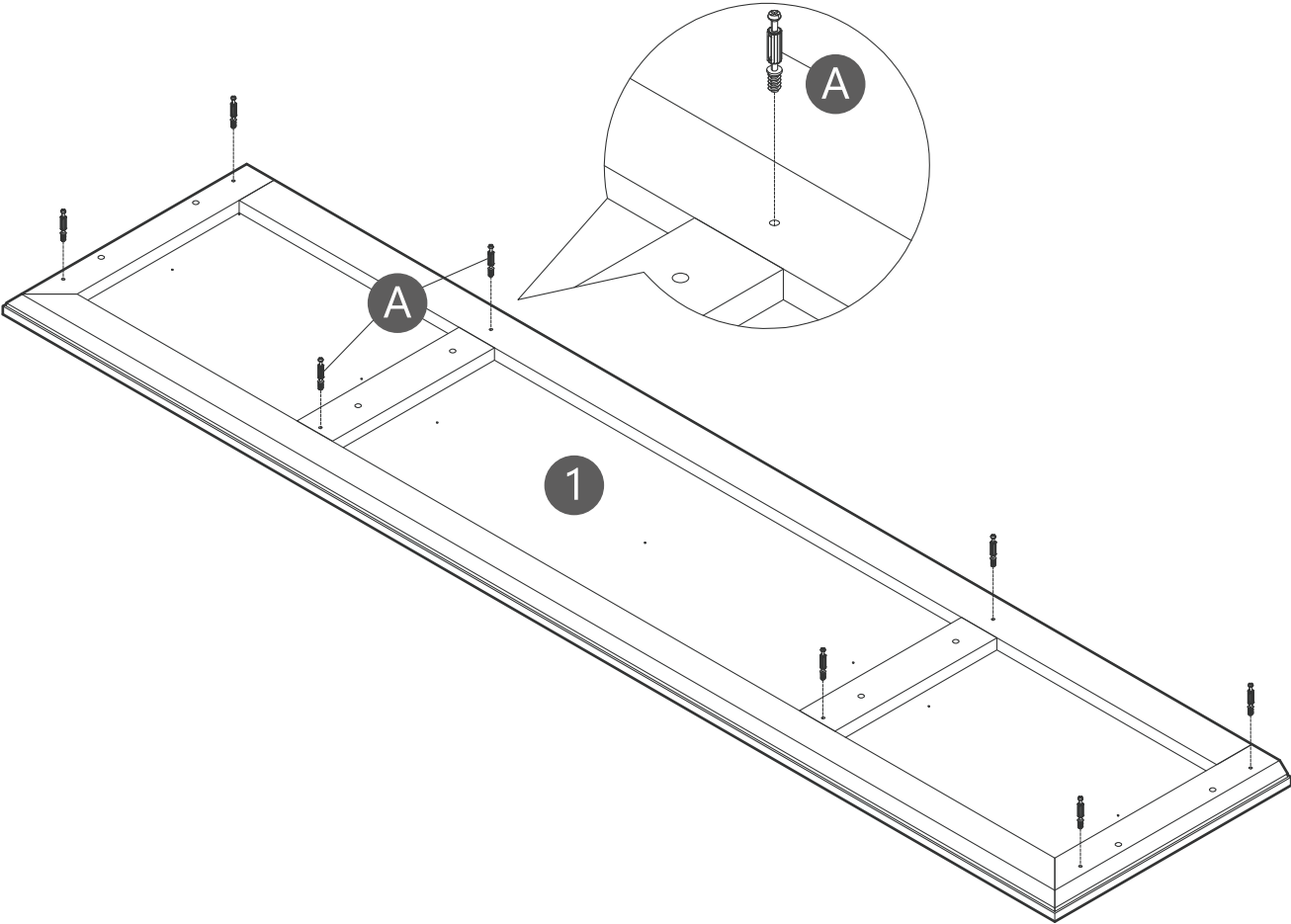
It is divided into three parts in total:


1. Install the top part
2. Install the middle part
3. Install the base part



# Step 1

Securing Cam Bolt (A) into Board (①).



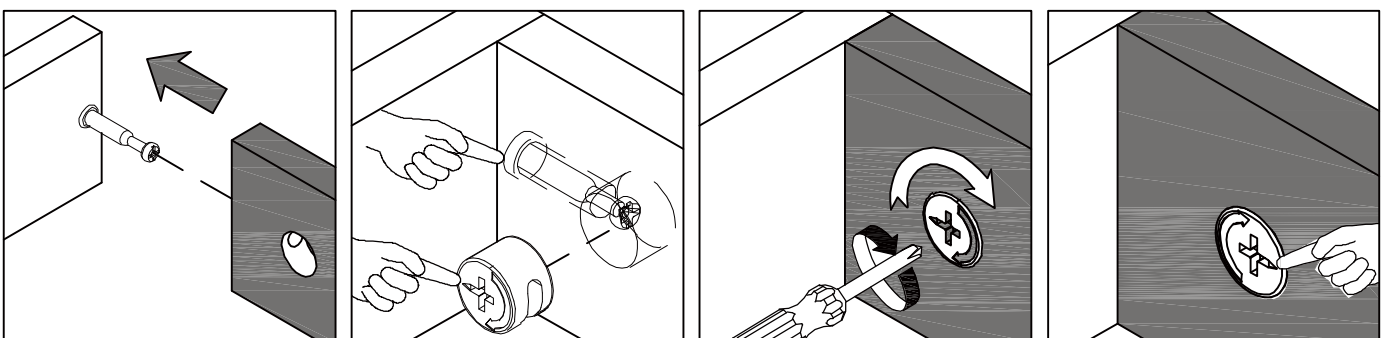
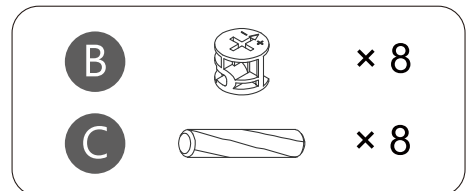
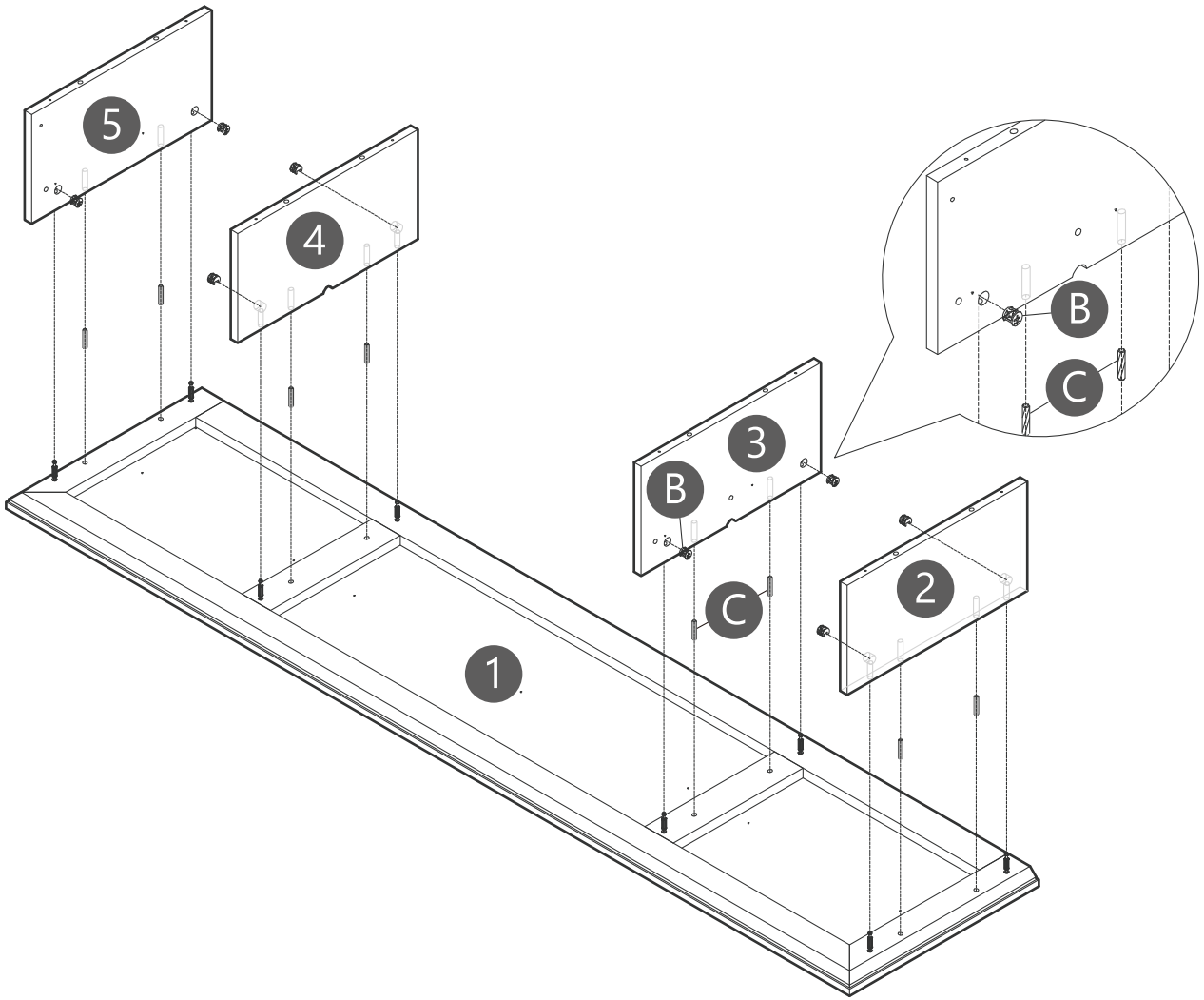
**A**  × 8

# Step 2

Inserting Wooden Dowel (C) into Board (①).

Attach Board (②&③&④&⑤) to Board (①).

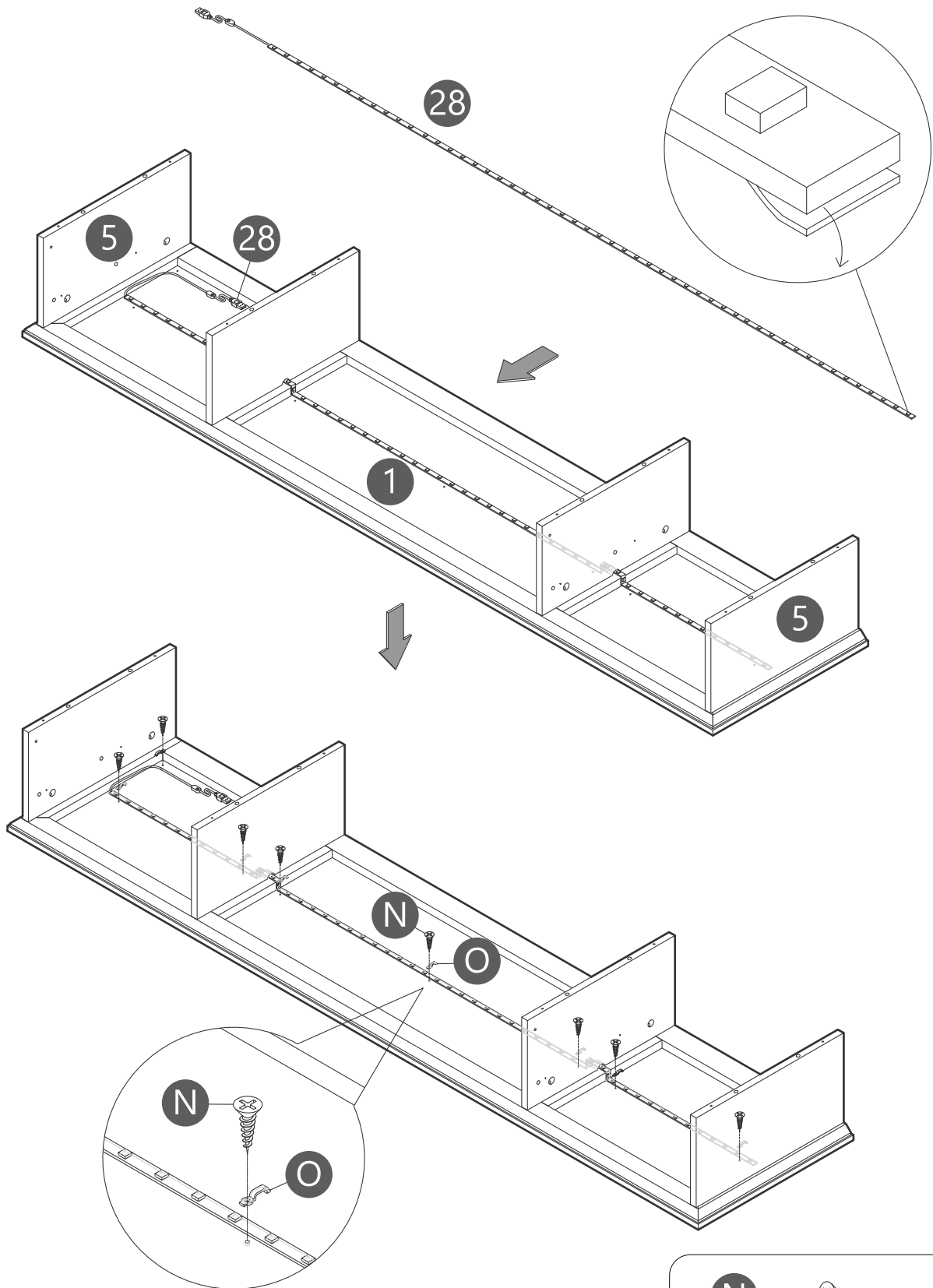
Using Cam Lock (B) secure Board (②&③&④&⑤) to Board (①).

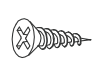



# Step 3

Attach LED Strip Light to Board (1).  
Using Screws (N) to secure O to LED Strip Light.

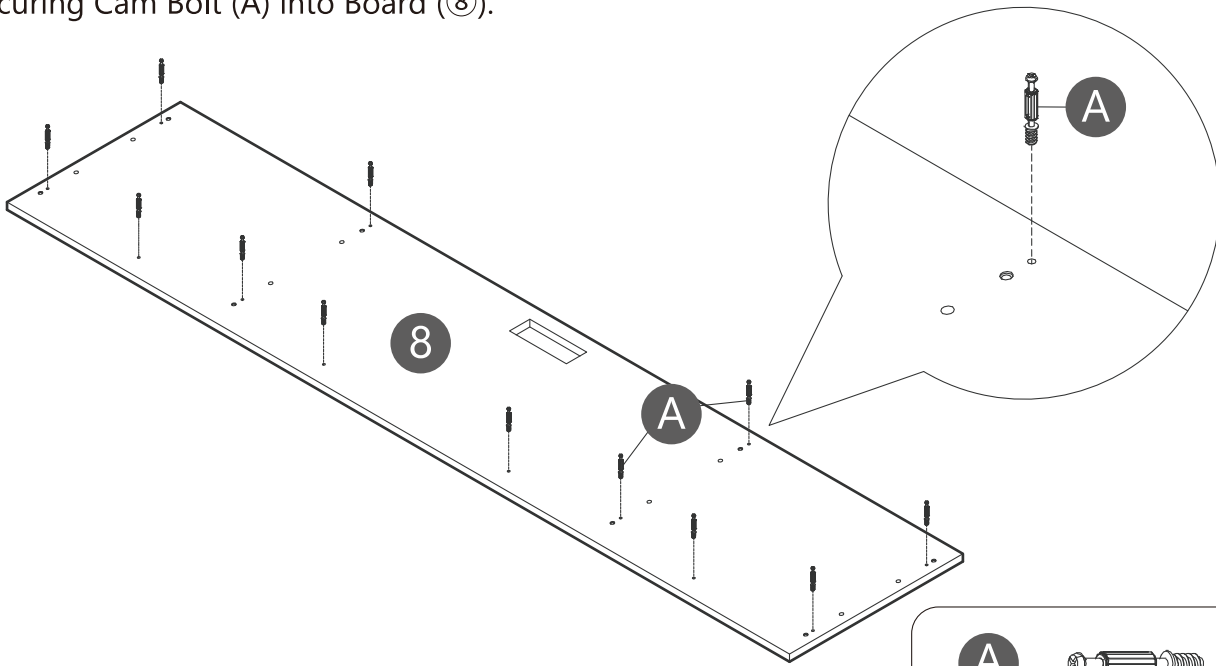
Tip: Remove the tape before attaching the light strip.



- |   |   |     |
|---|---|-----|
| N |  | x 8 |
| O |  | x 8 |

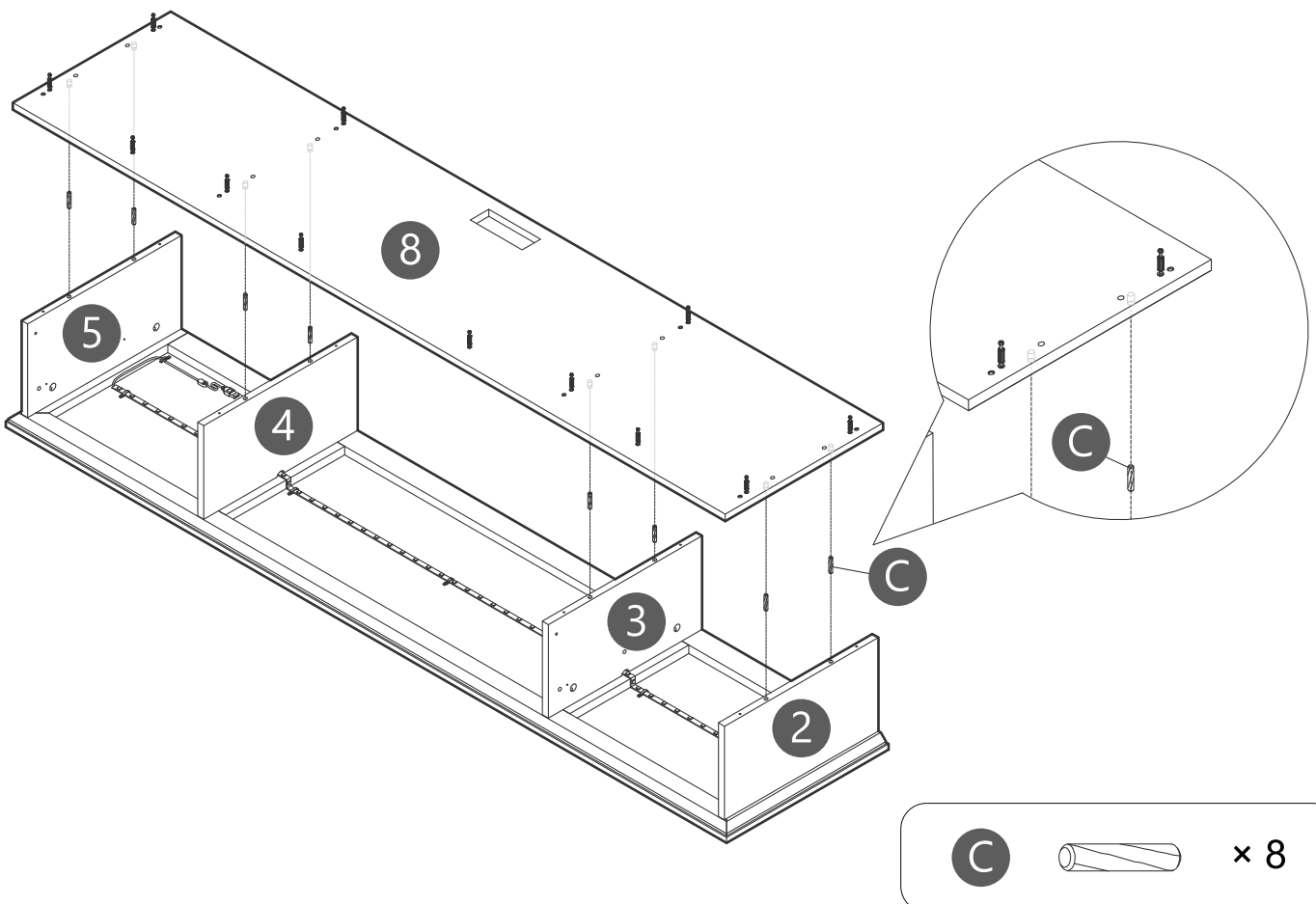
# Step 4

Securing Cam Bolt (A) into Board (8).



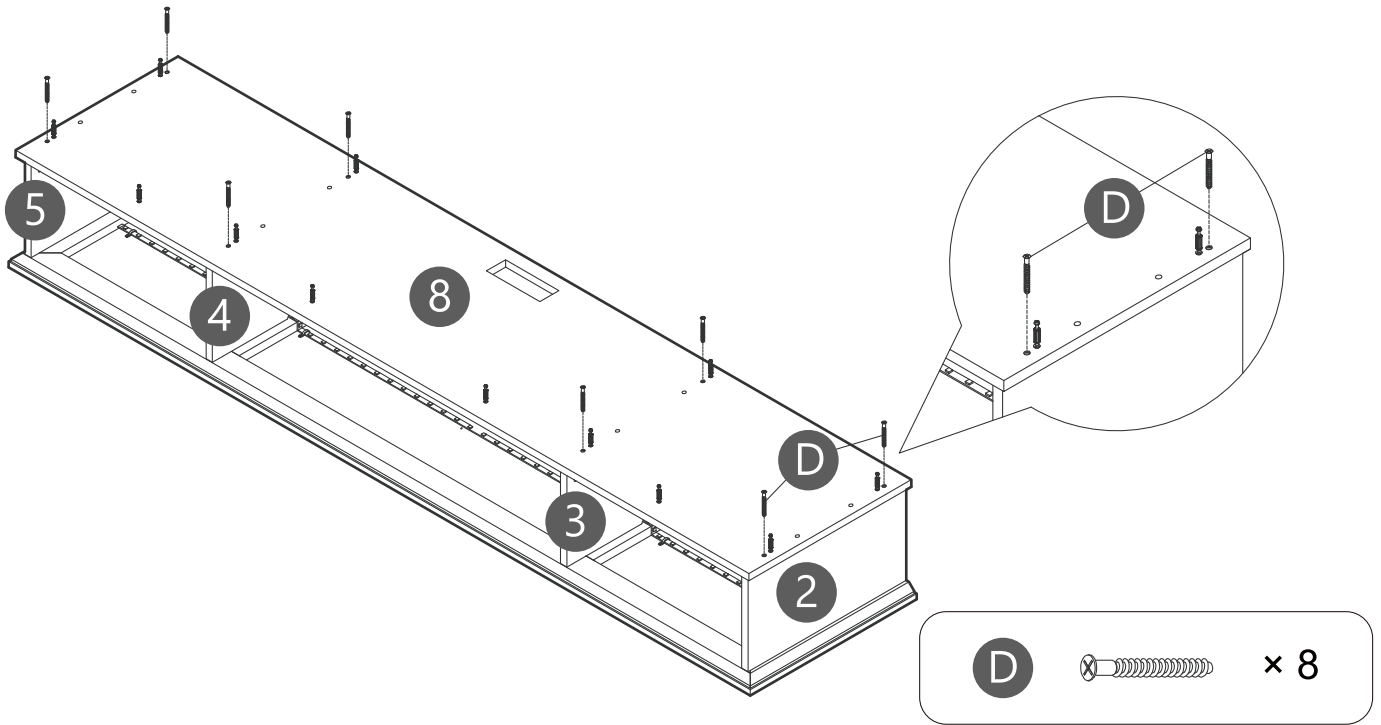
# Step 5

Inserting Wooden Dowel (C) into Board (2&3&4&5).  
Attach Board (8) to Board (2&3&4&5).



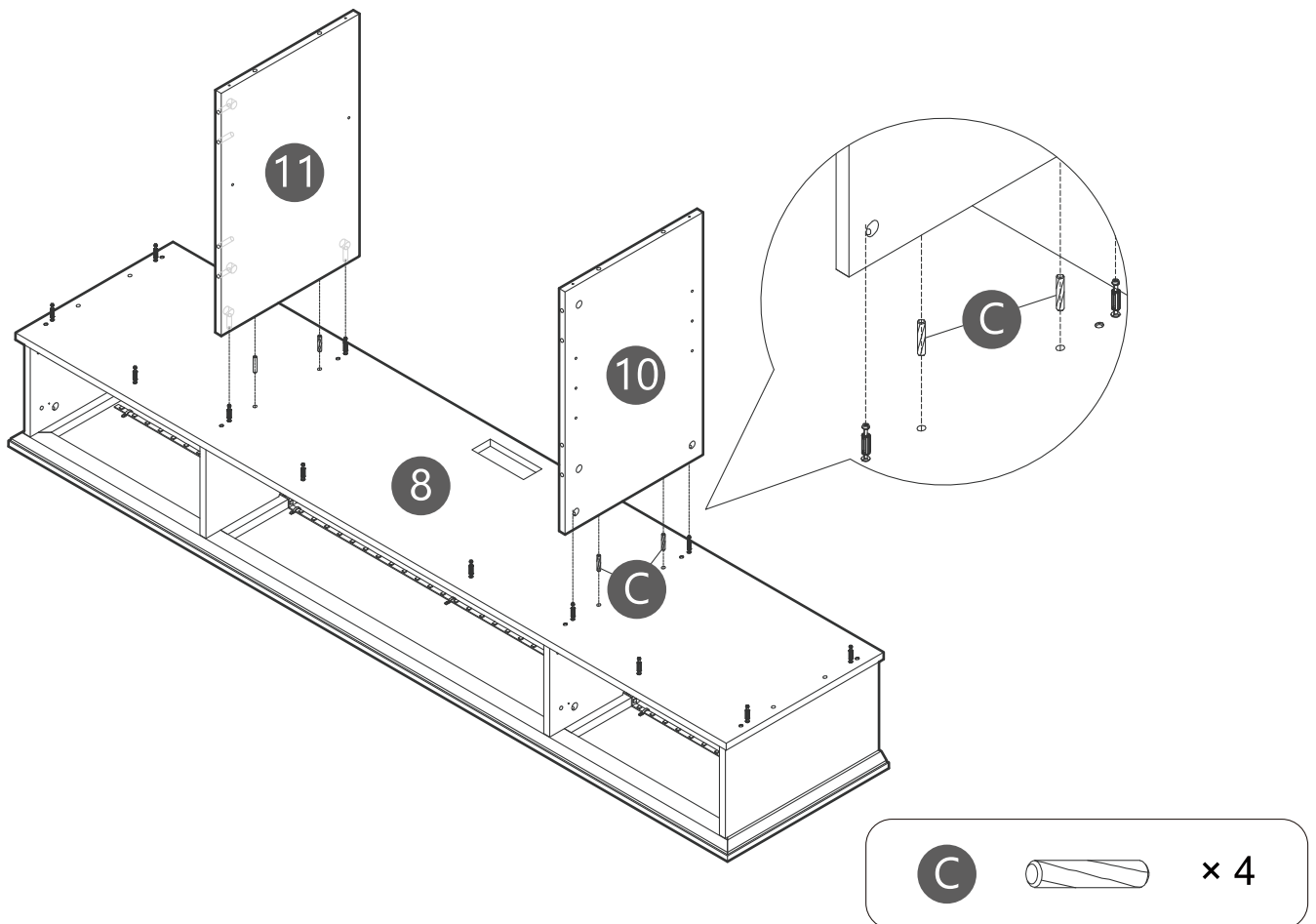
# Step 6

Using Screws (D) to lock Board (8).



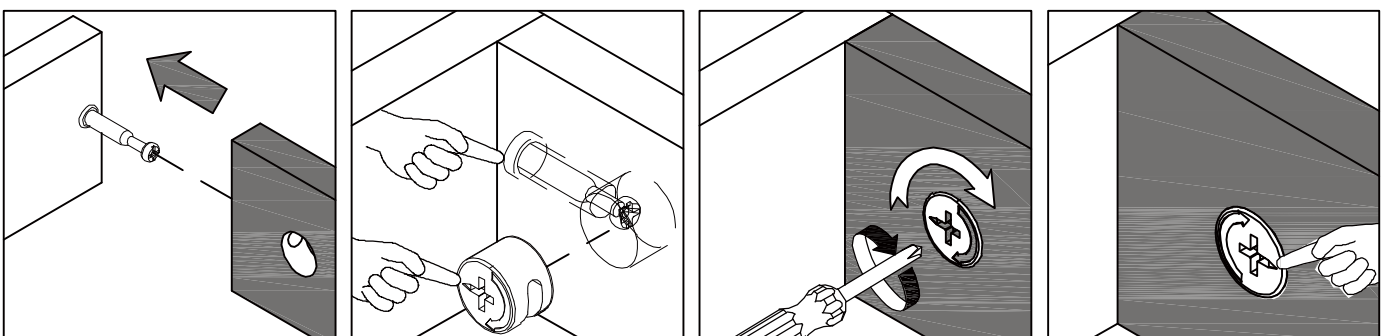
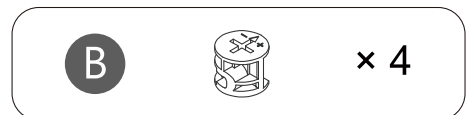
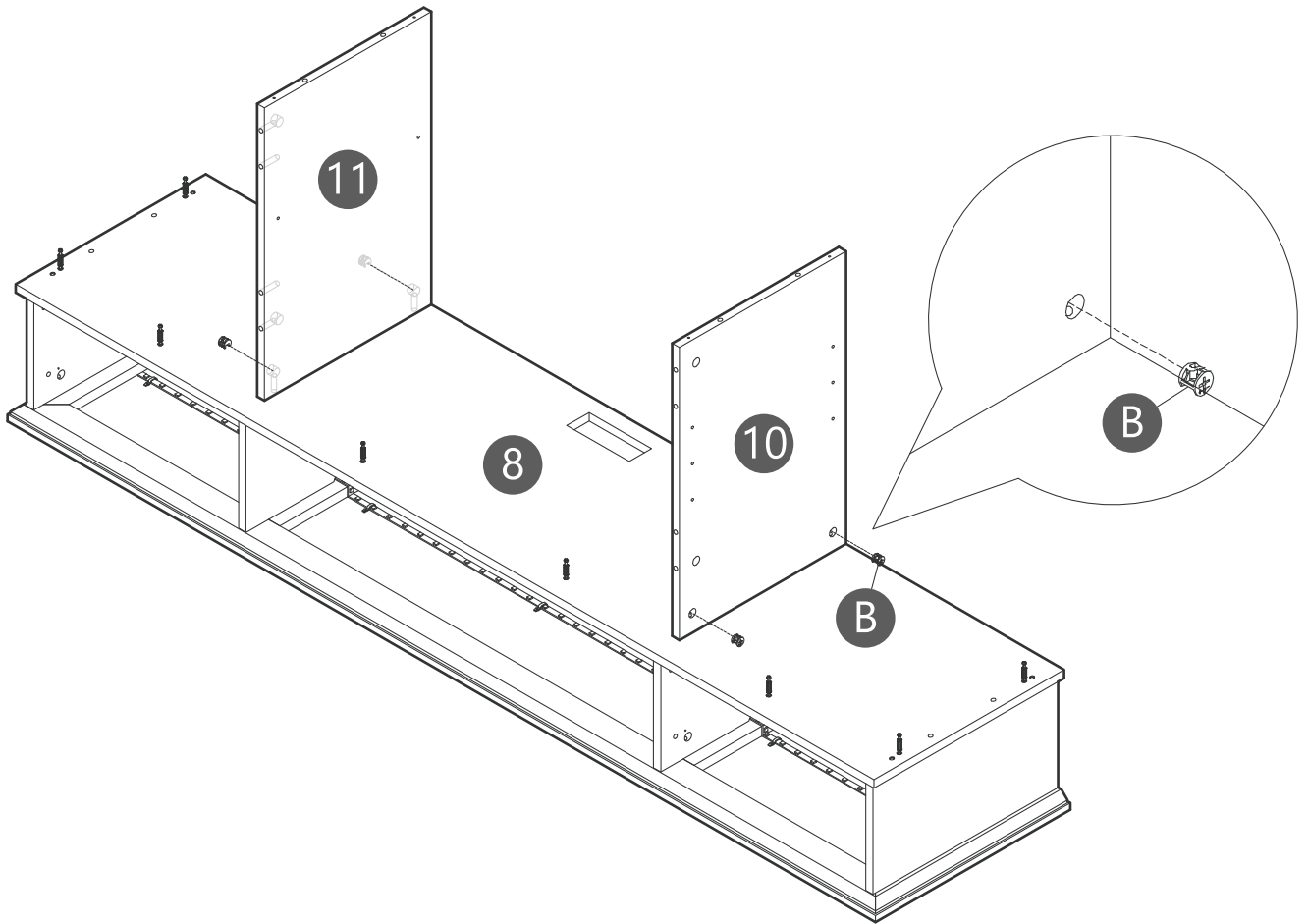
# Step 7

Inserting Wooden Dowel (C) into Board (8).



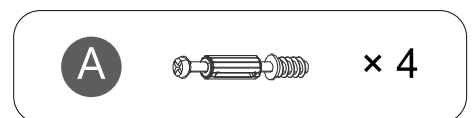
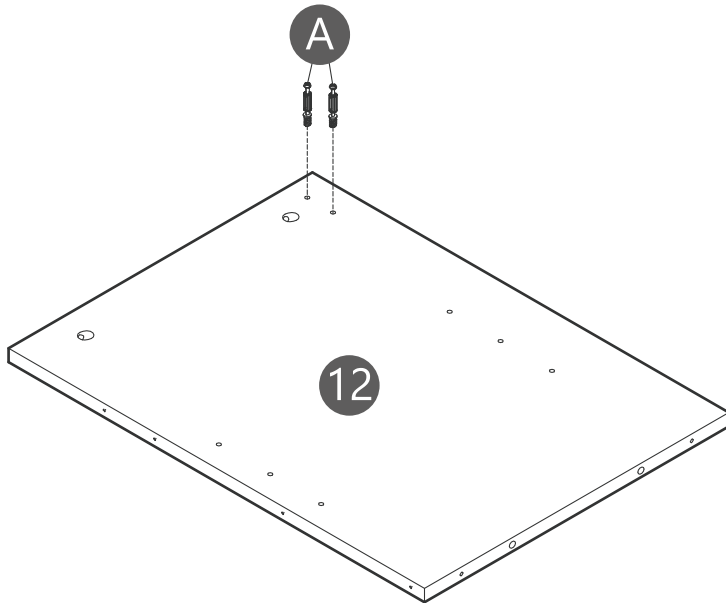
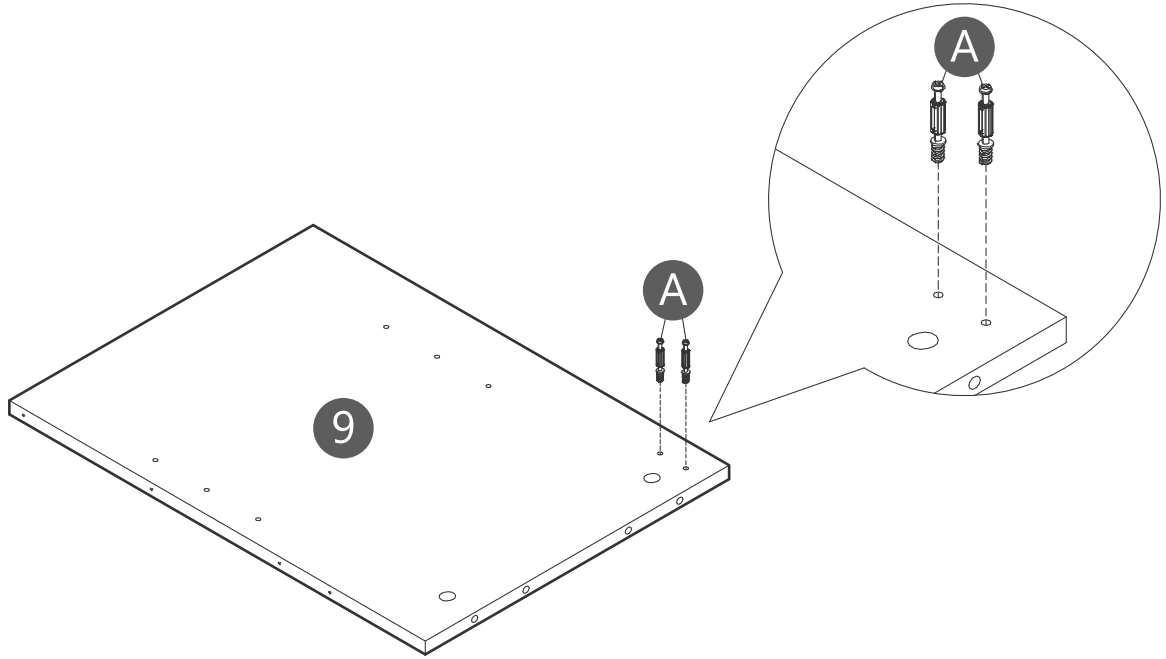
# Step 8

Using Cam Lock (B) secure Board (10&11) to Board (8).



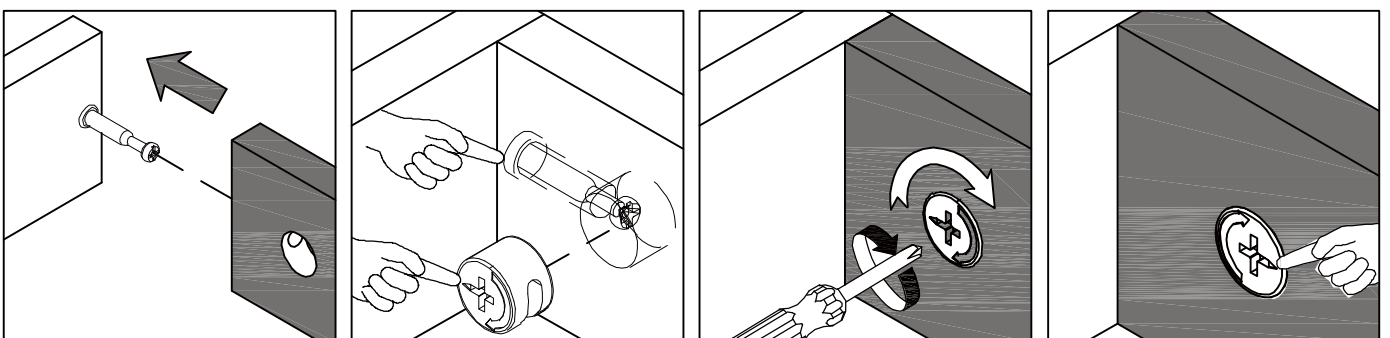
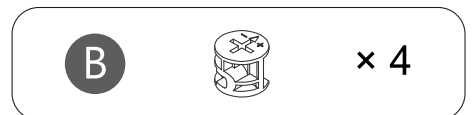
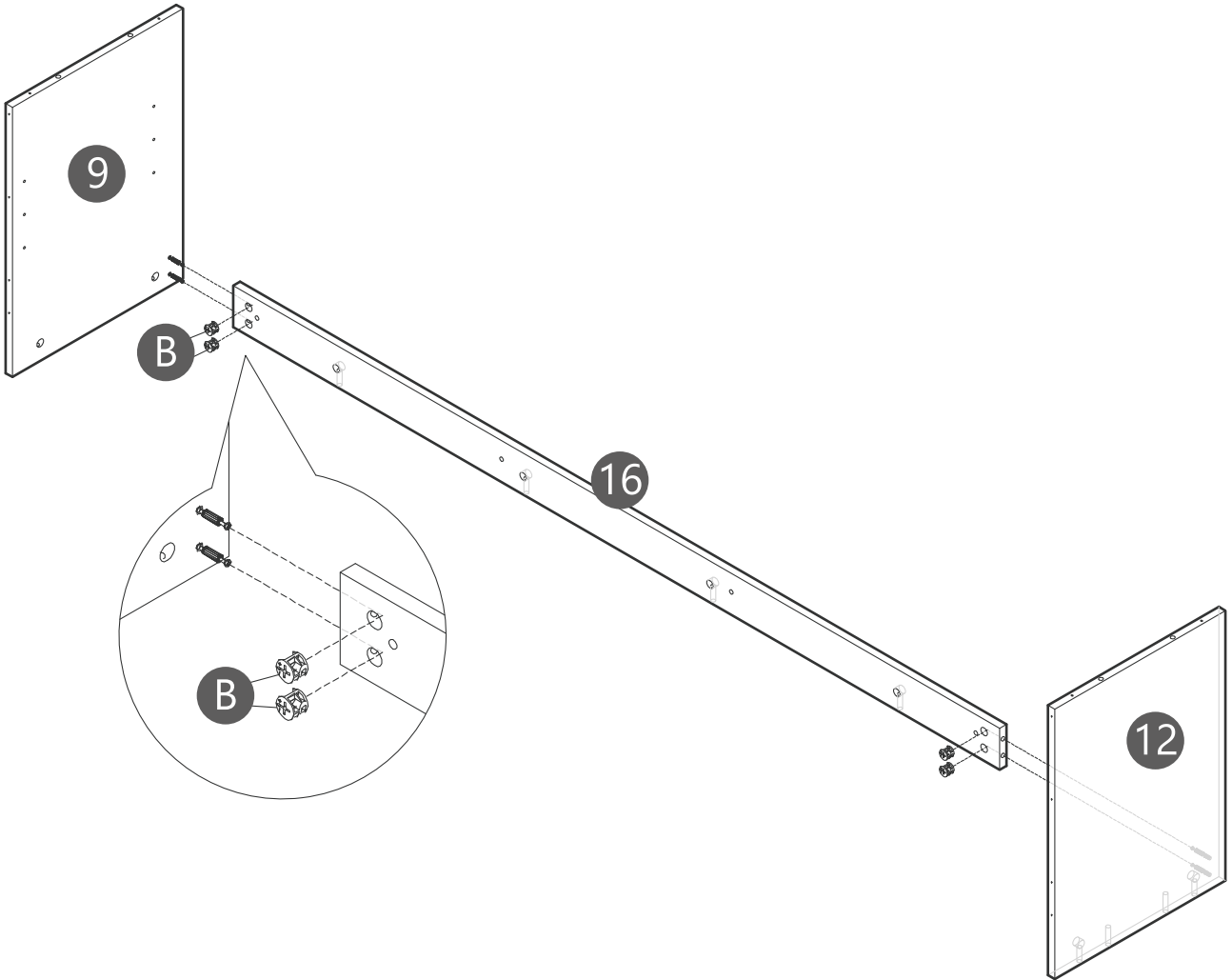
# Step 9

Securing Cam Bolt (A) into Board (9&12).



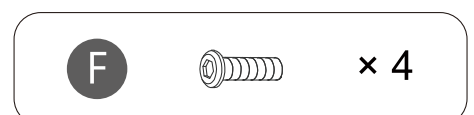
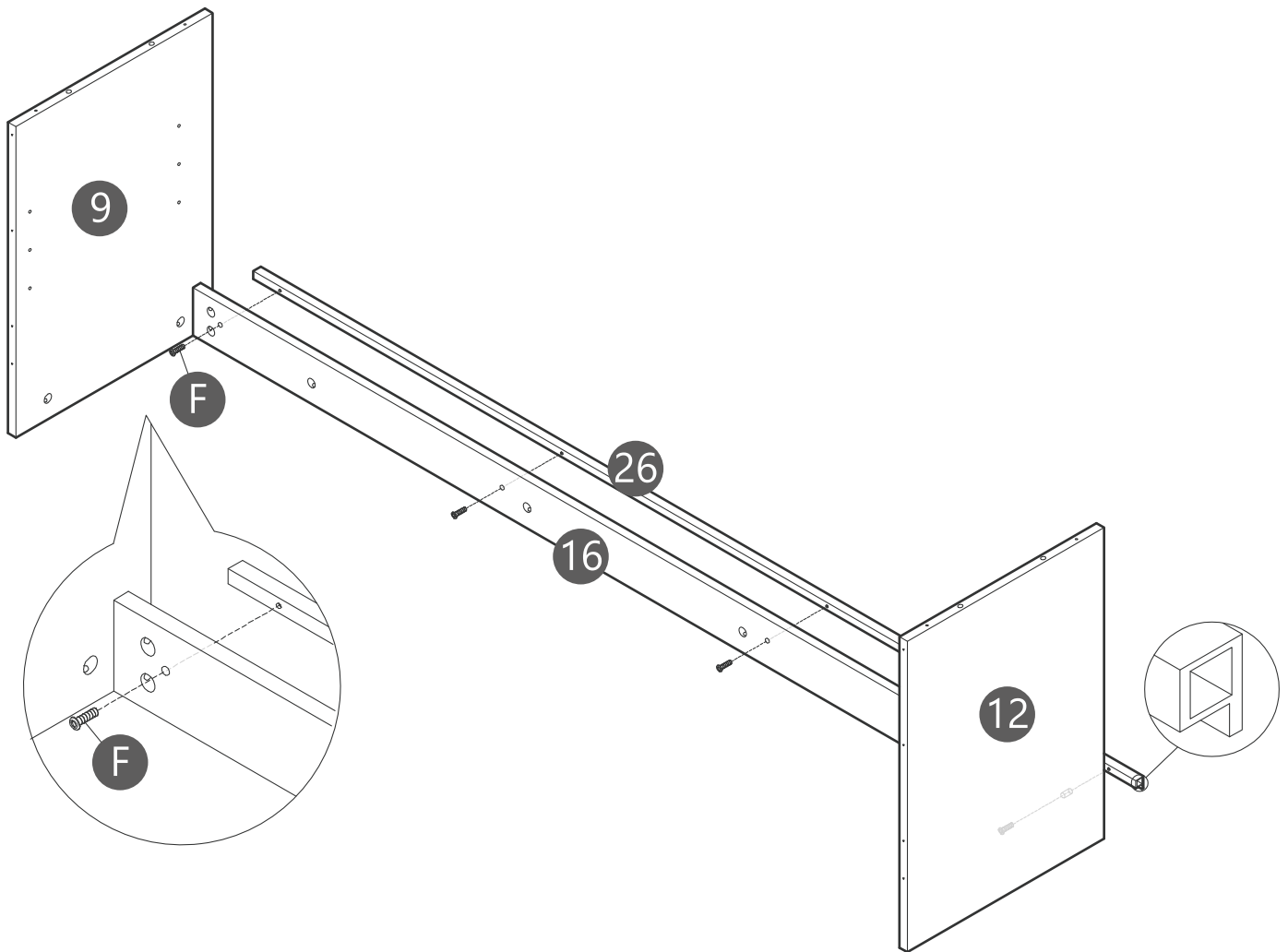
# Step 10

Using Cam Lock (B) secure Board (9&12) to Board (16).



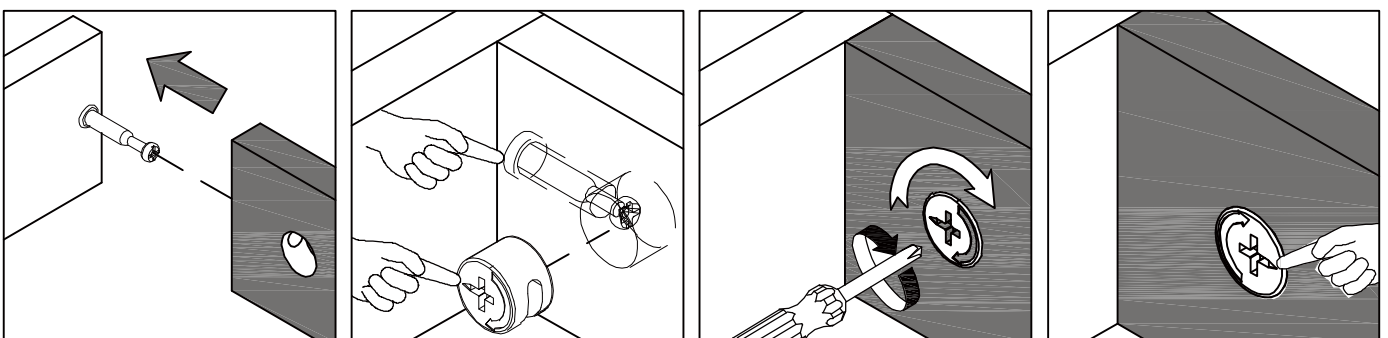
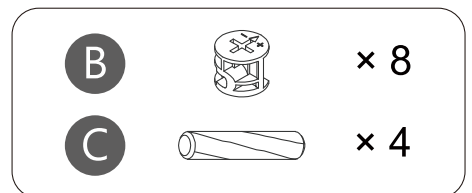
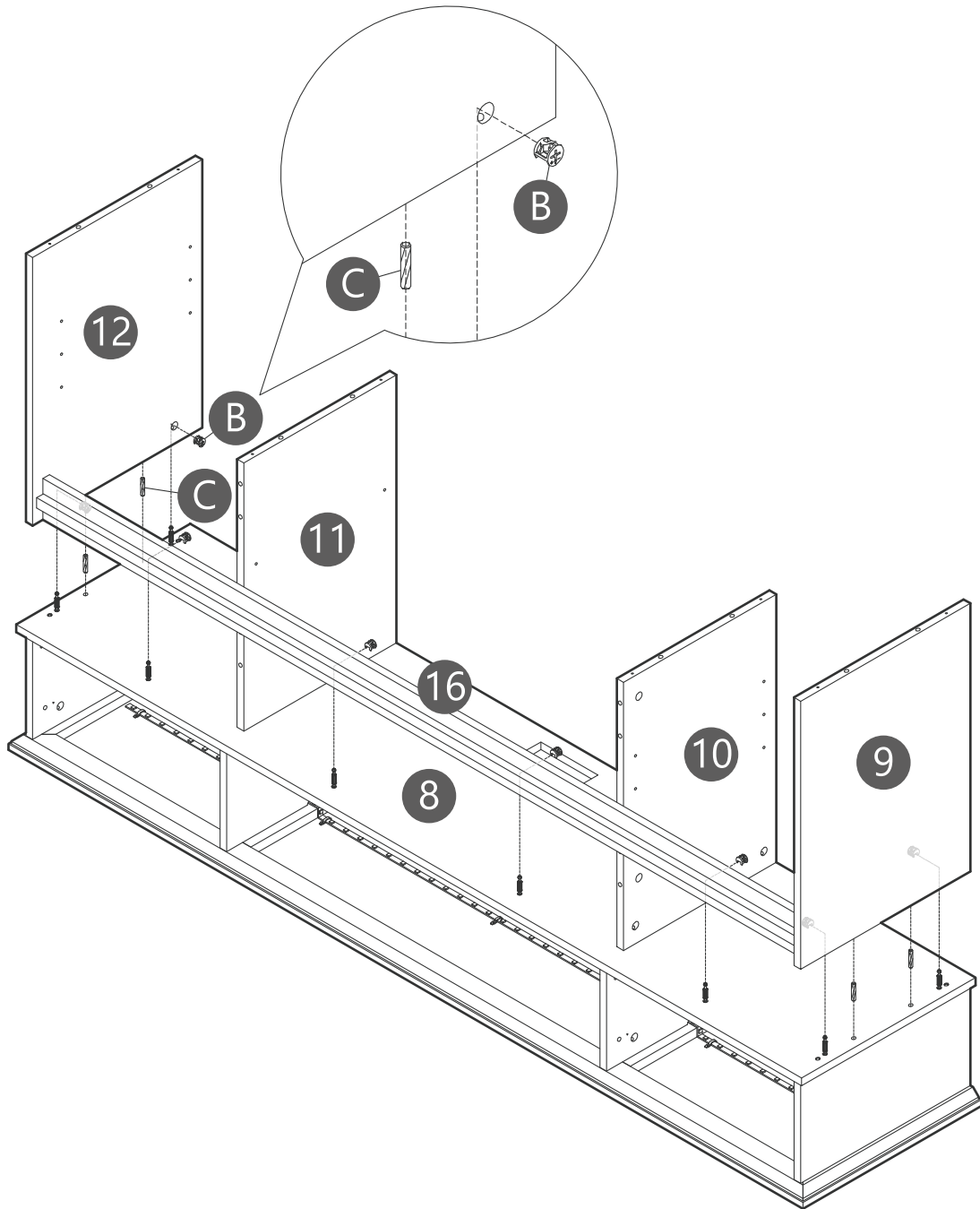
# Step 11

Using Screws (F) to secure (26) to Board (16).



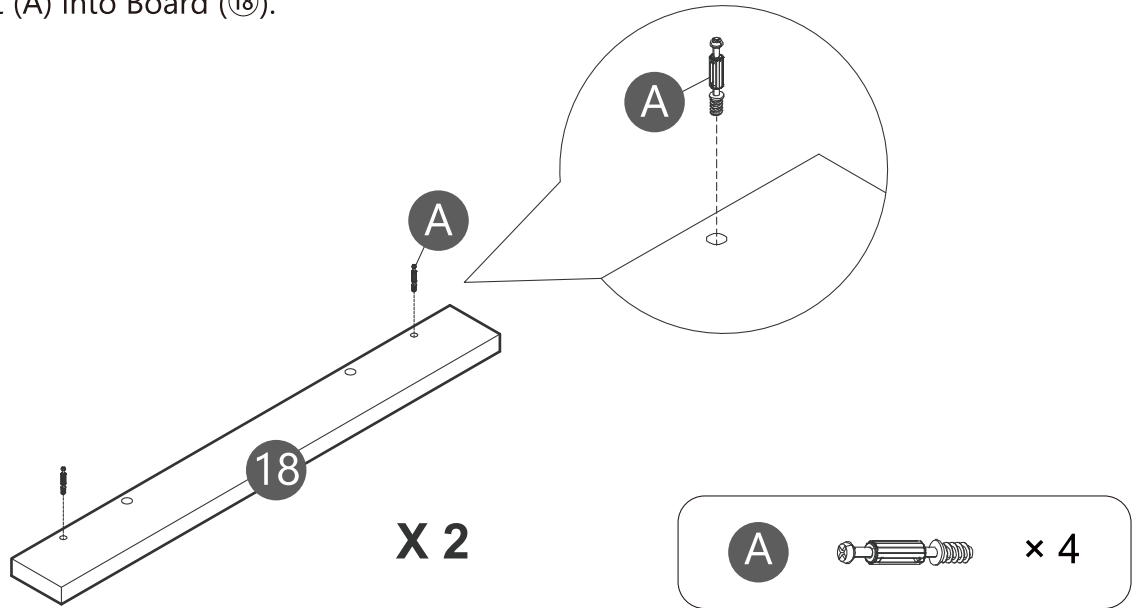
# Step 12

Inserting Wooden Dowel (C) into Board (8).  
Using Cam Lock (B) secure Board (9&12) to Board (8).



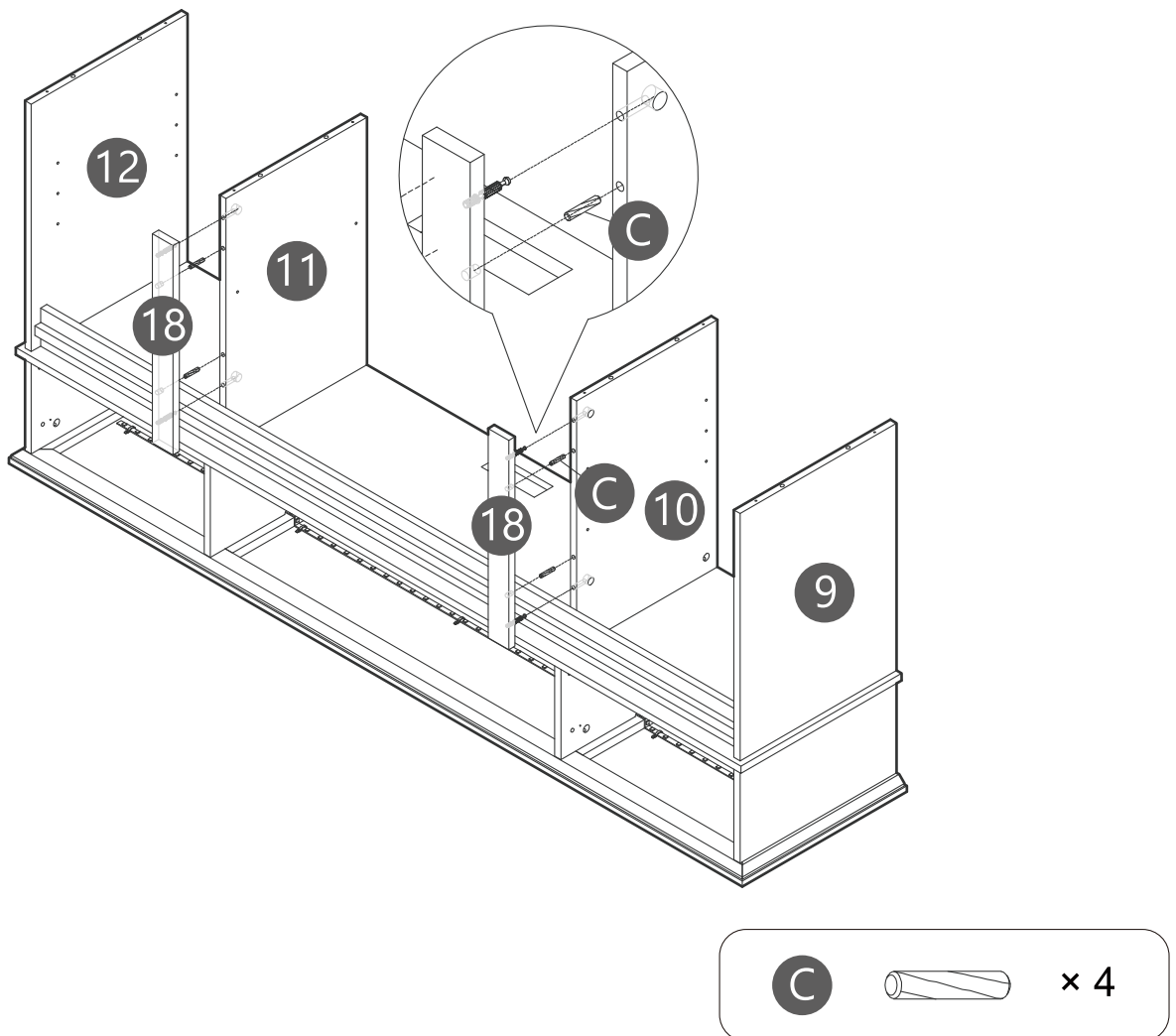
# Step 13

Securing Cam Bolt (A) into Board (18).



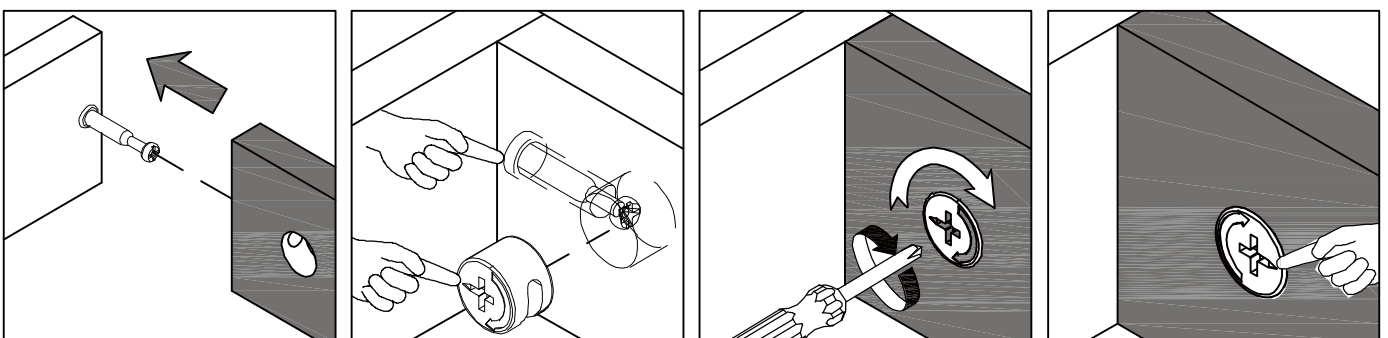
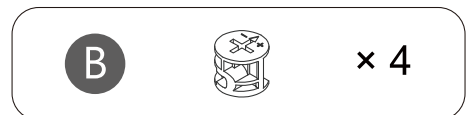
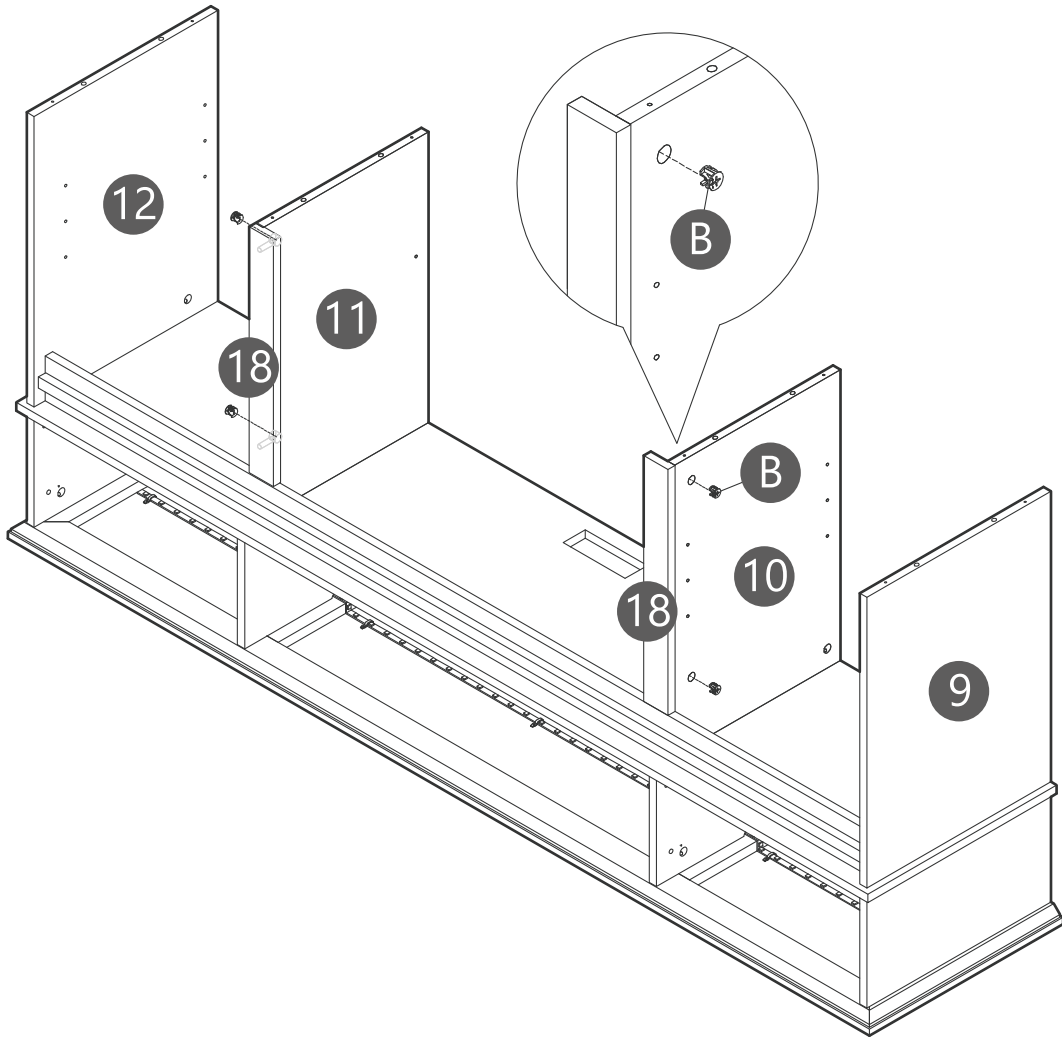
# Step 14

Inserting Wooden Dowel (C) into Board (10&11).  
Attach Board (18) to Board (10&11).



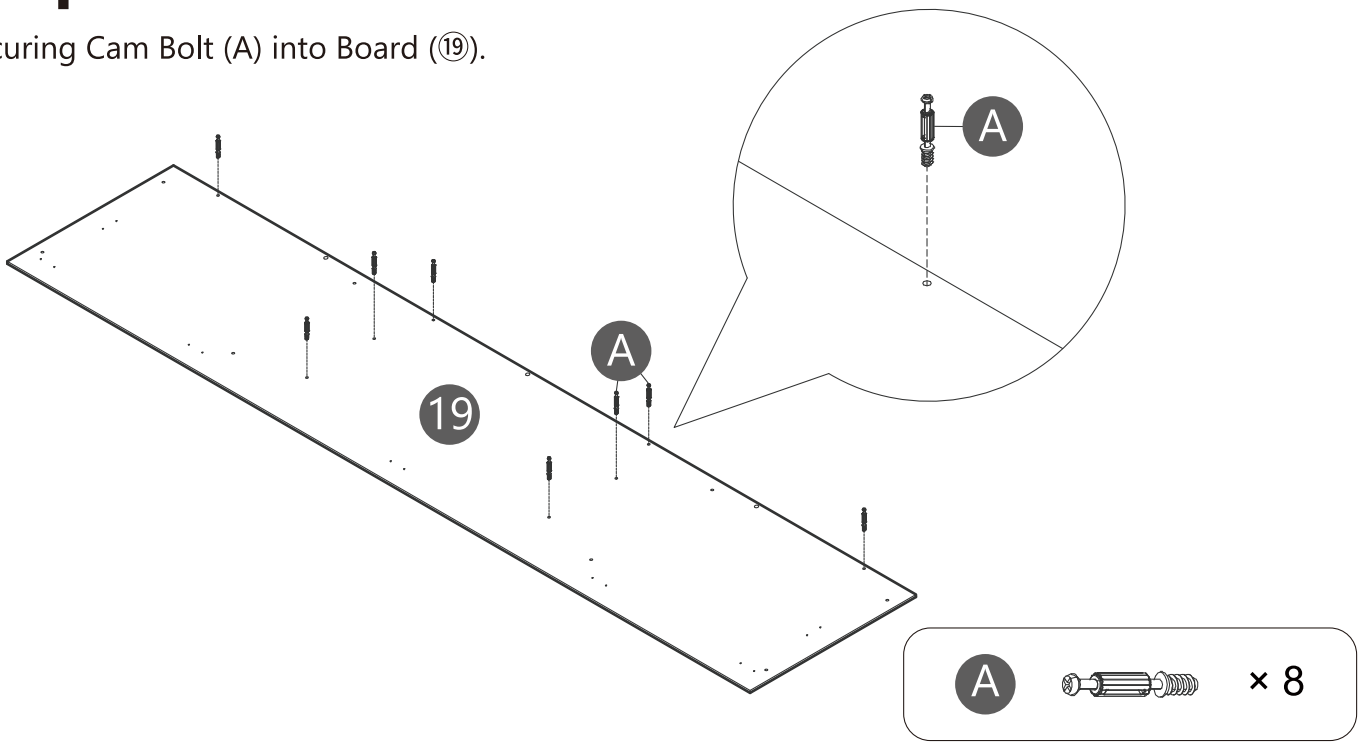
# Step 15

Using Cam Lock (B) secure Board (18) to Board (10&11).



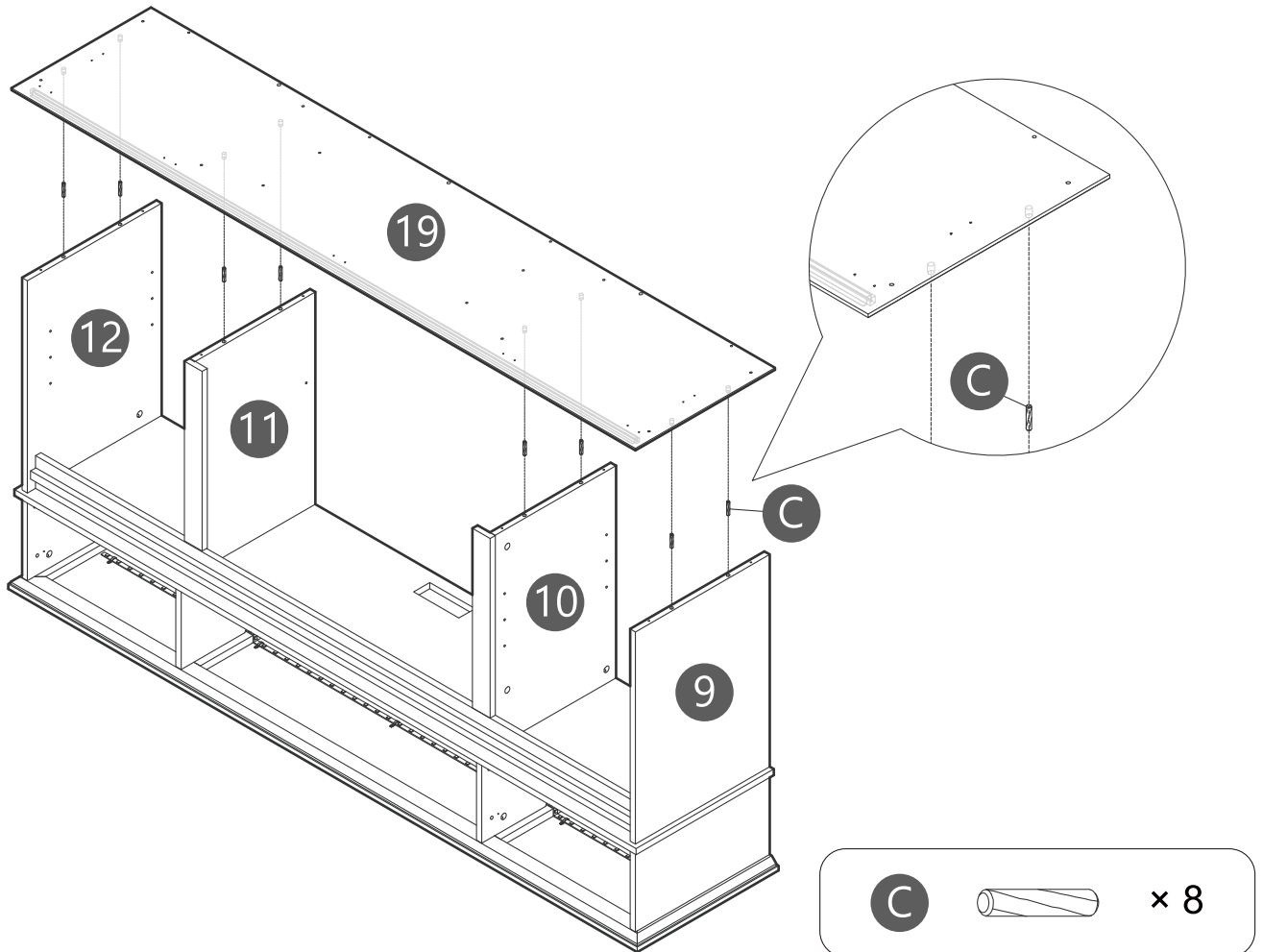
# Step 16

Securing Cam Bolt (A) into Board (19).



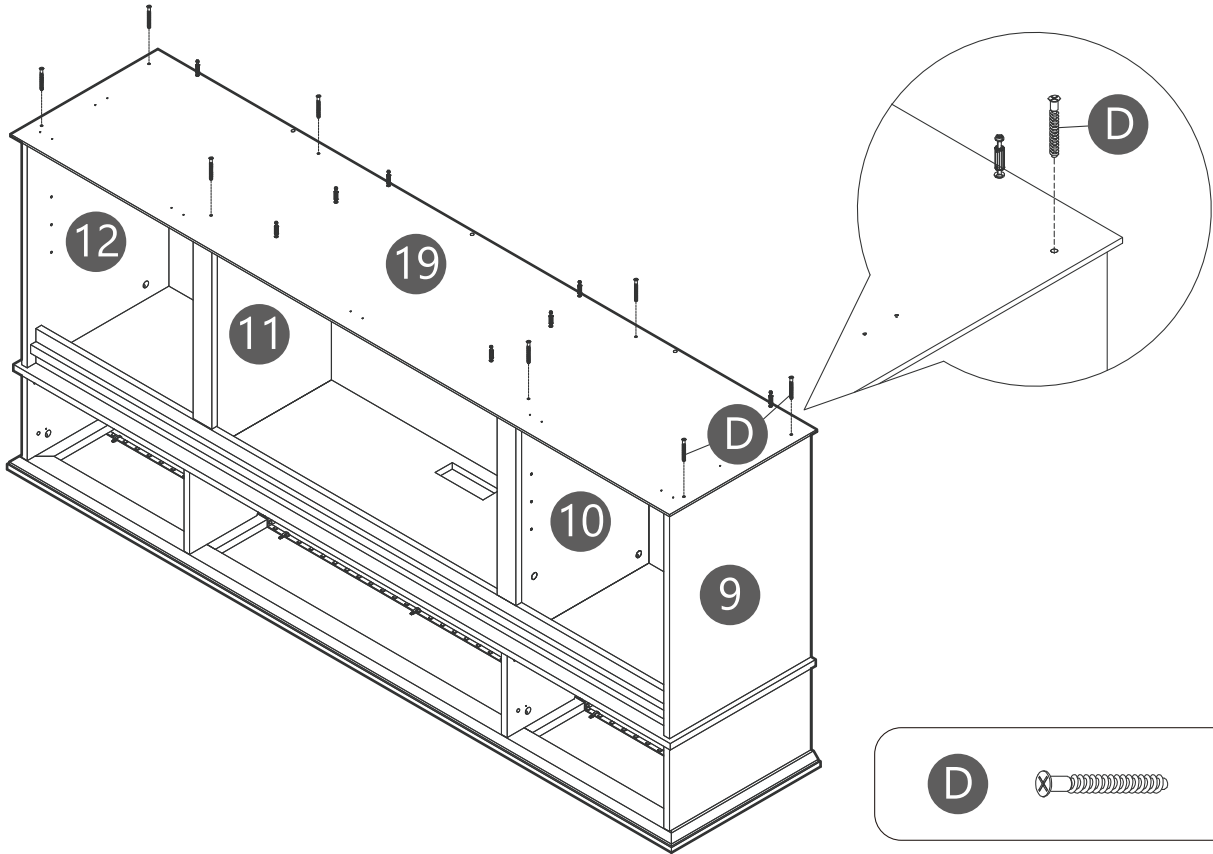
# Step 17

Inserting Wooden Dowel (C) into Board (9 & 10 & 11 & 12).  
Attach Board (19) to Board (9 & 10 & 11 & 12).



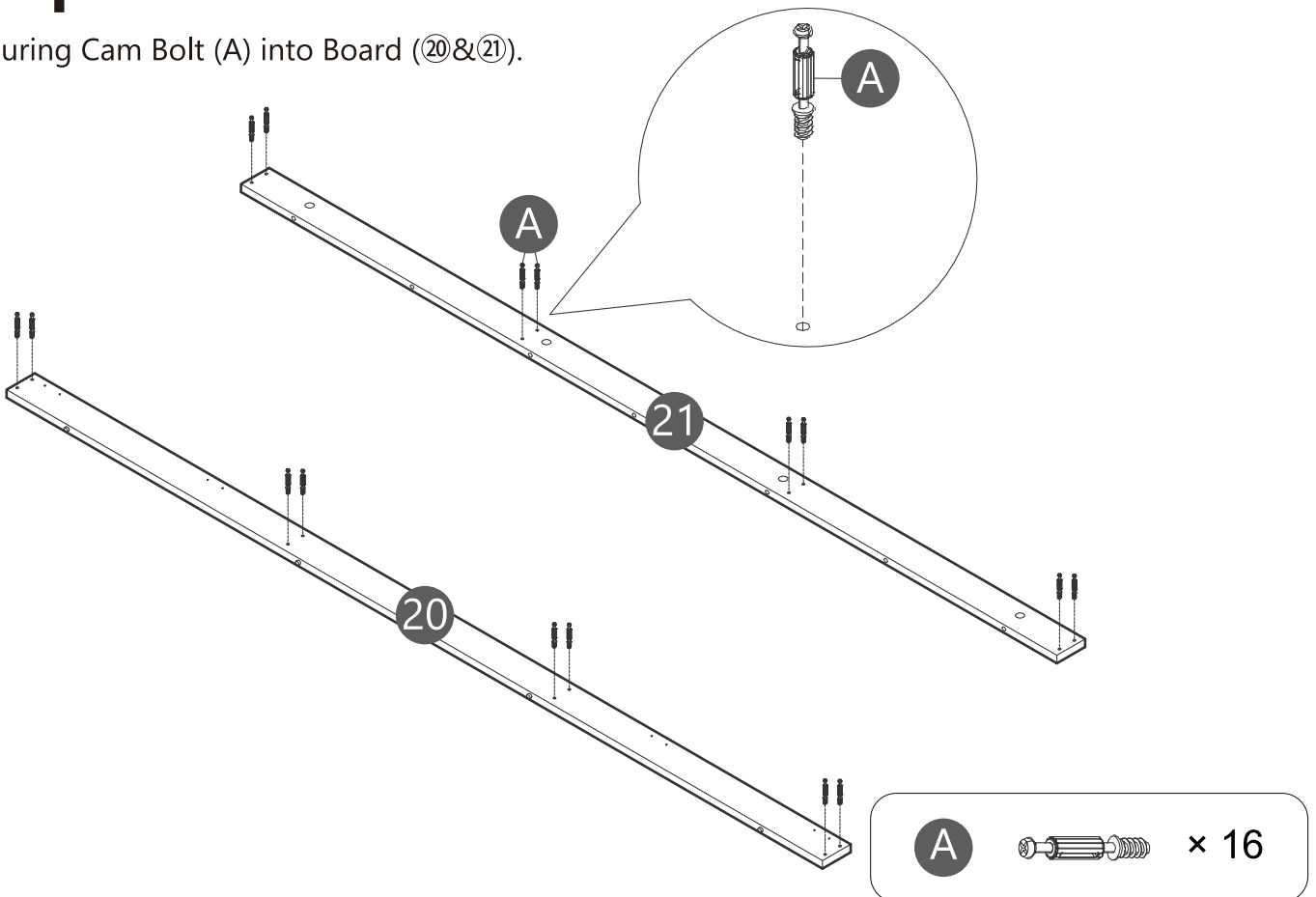
# Step 18

Using Screws (D) to secure (19) to Board (9&10&11&12).



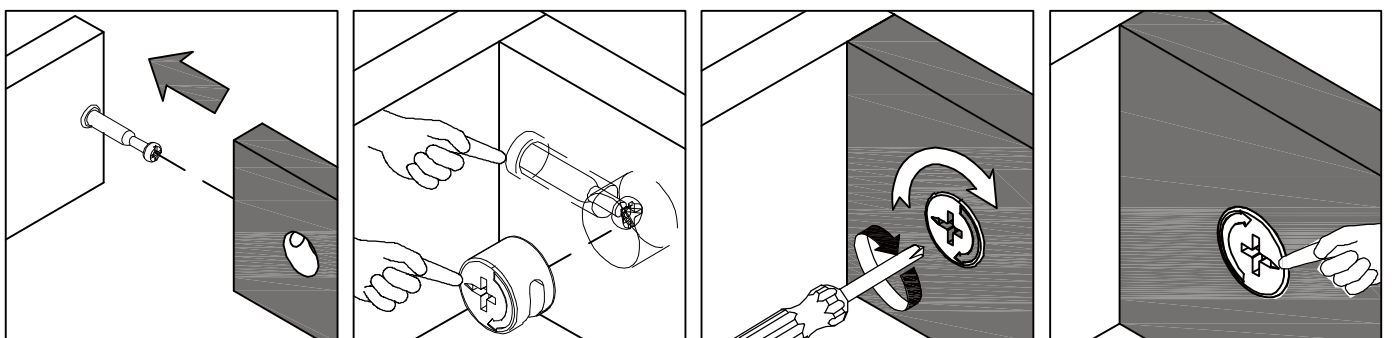
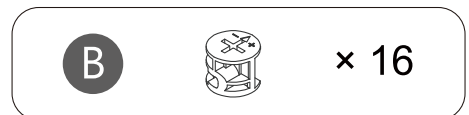
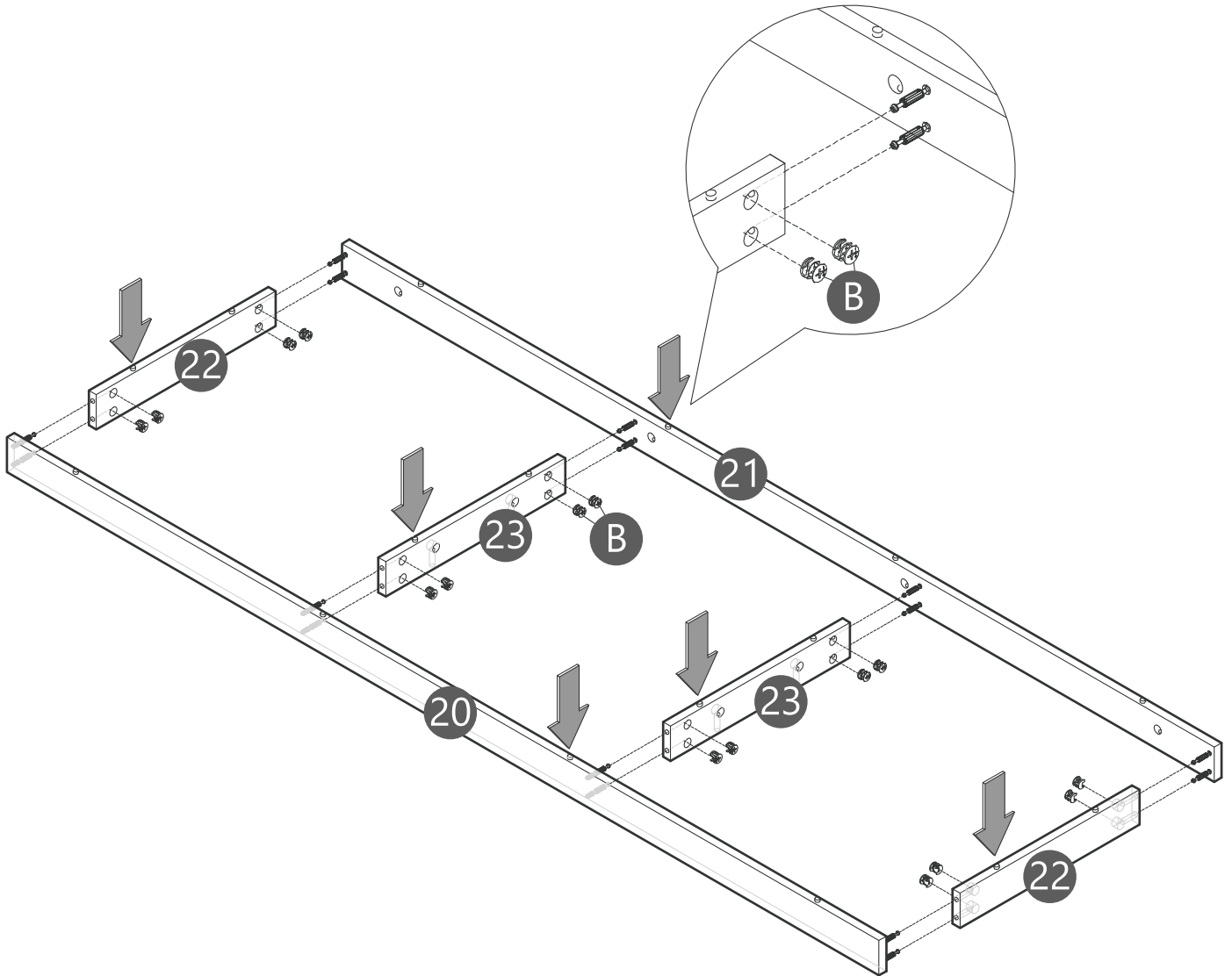
# Step 19

Securing Cam Bolt (A) into Board (20&21).



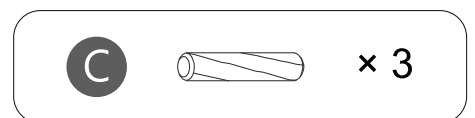
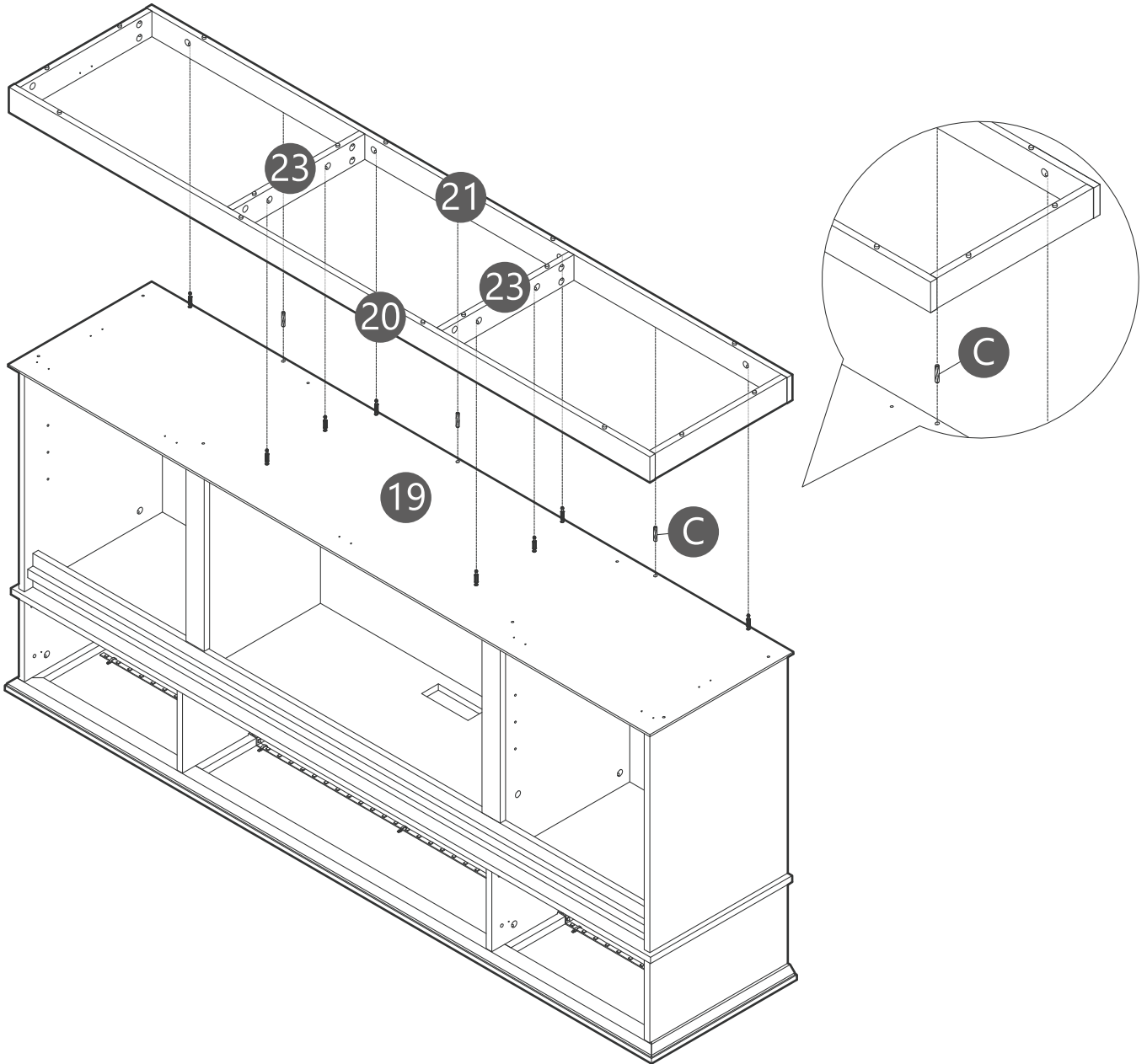
# Step 20

Using Cam Lock (B) secure Board (22&23) to Board (20&21).



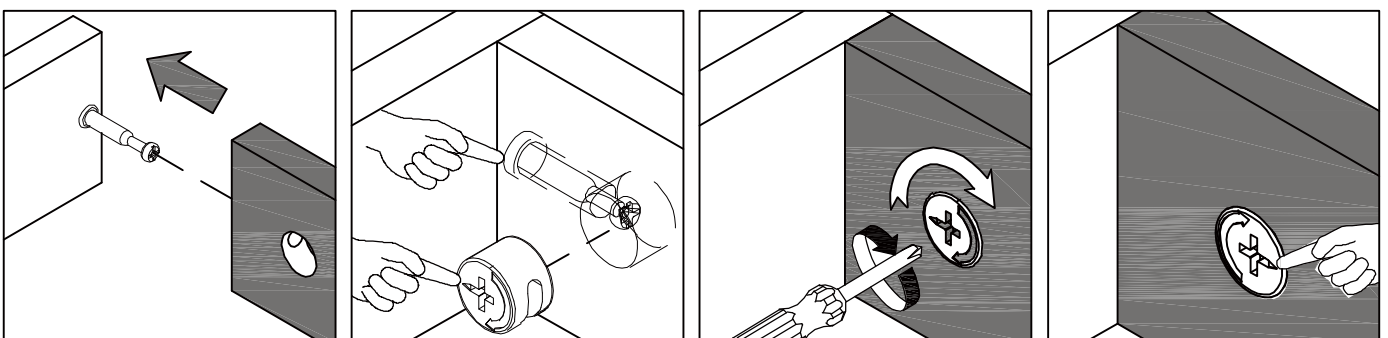
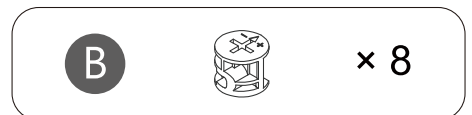
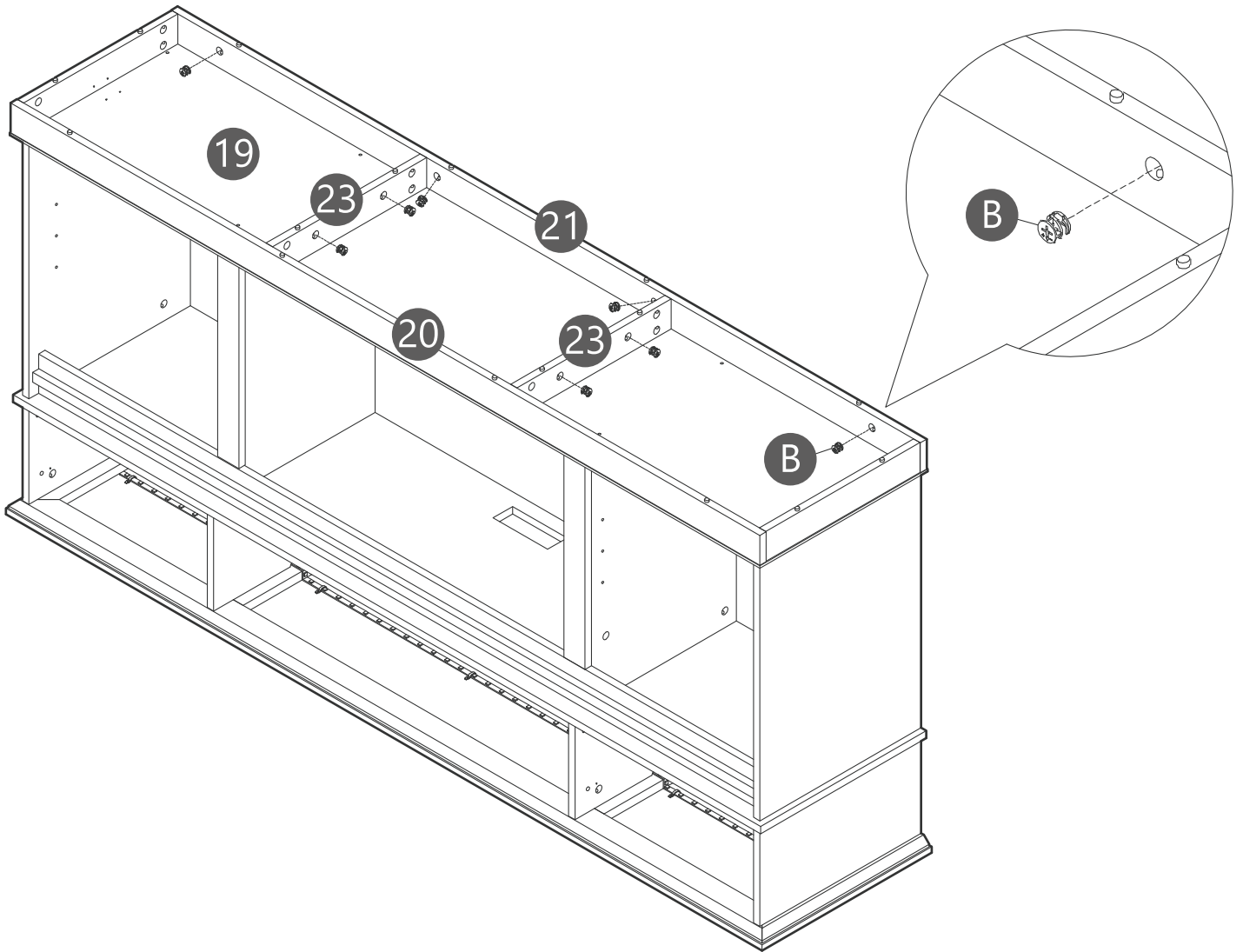
# Step 21

Inserting Wooden Dowel (C) into Board(19).  
Attach Base Part to Board (19).



# Step 22

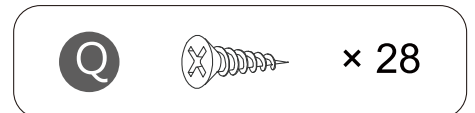
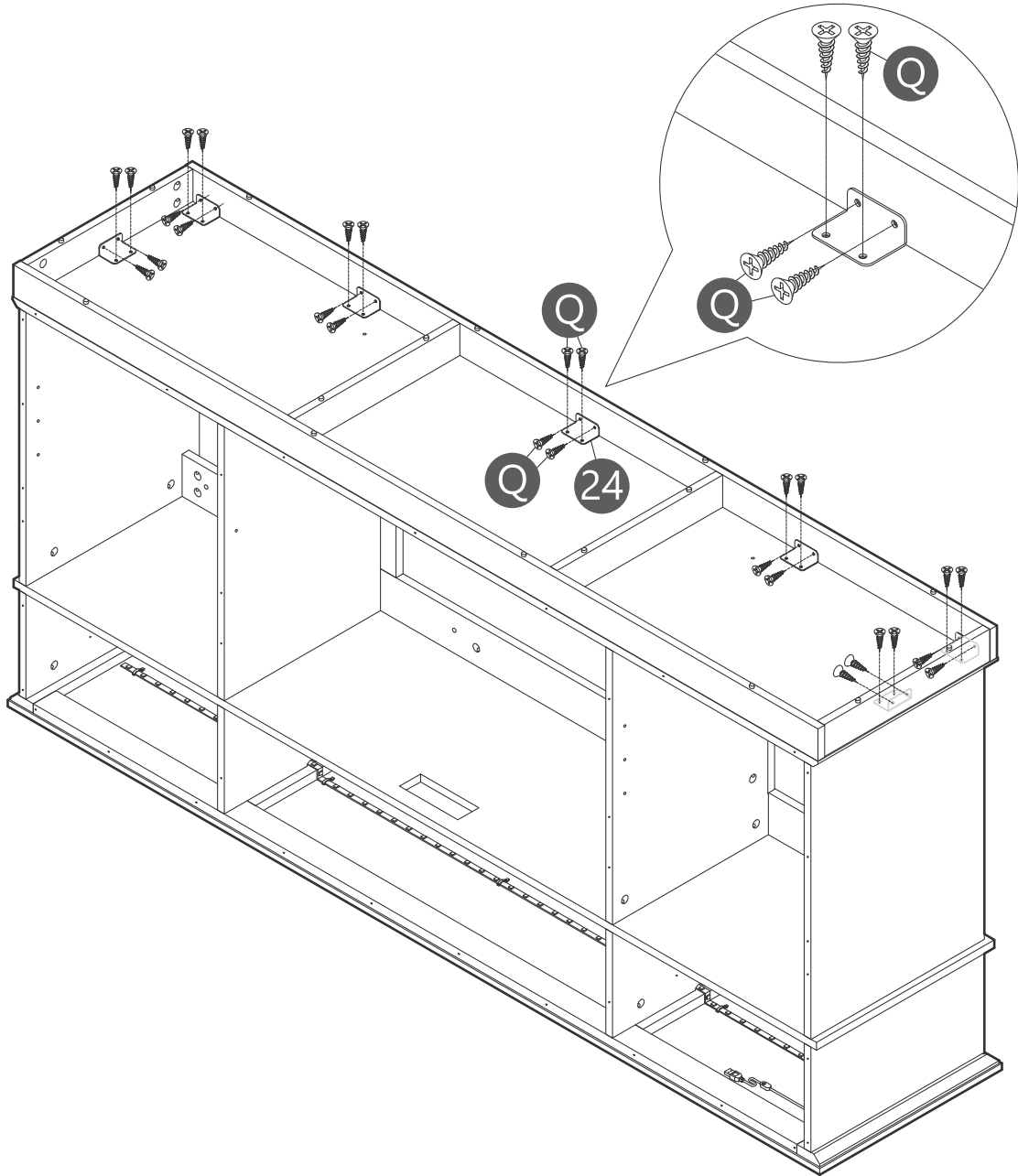
Using Cam Lock (B) secure Base Part.



# Step 23

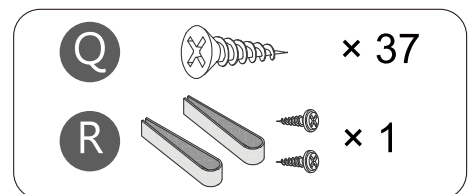
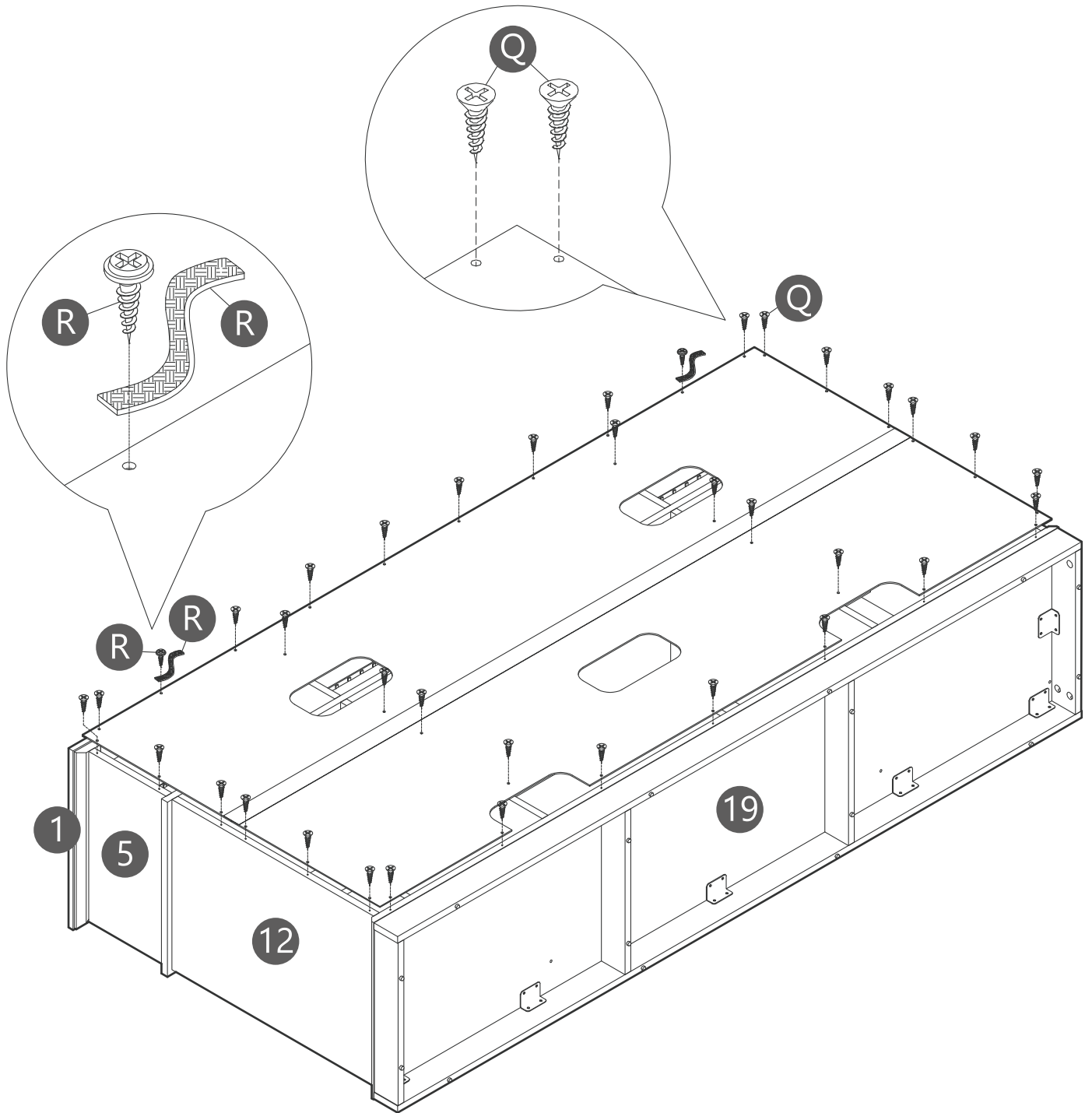
Using Screws (Q) to secure (24) to Base Part.

Warm Tips: Make Sure all the screws are tightly



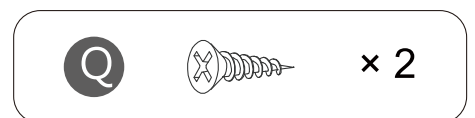
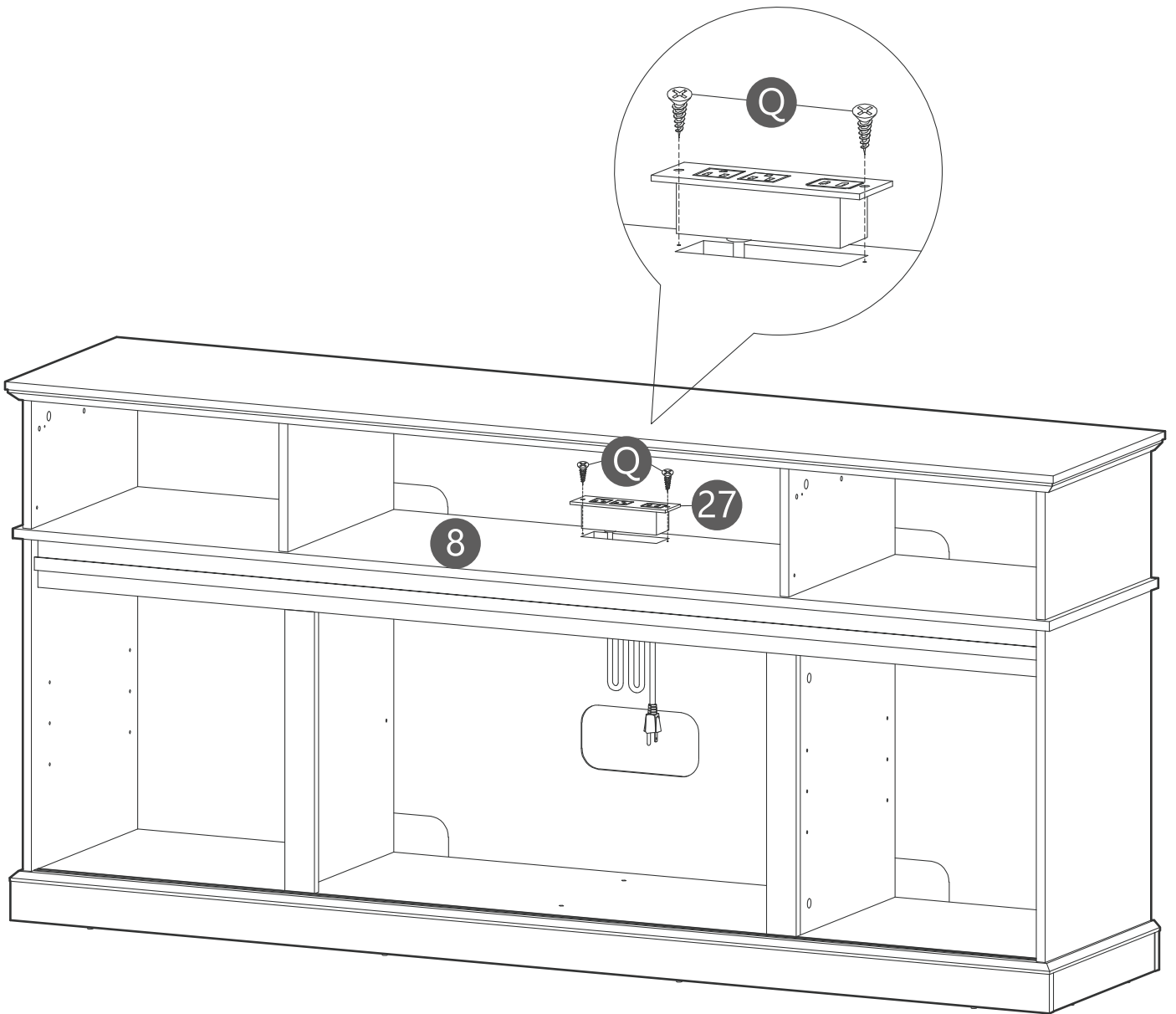
# Step 24

Using Screws (Q) through Anti-tipping Belt (R) to assemble Back Panels (⑥) to the main body.



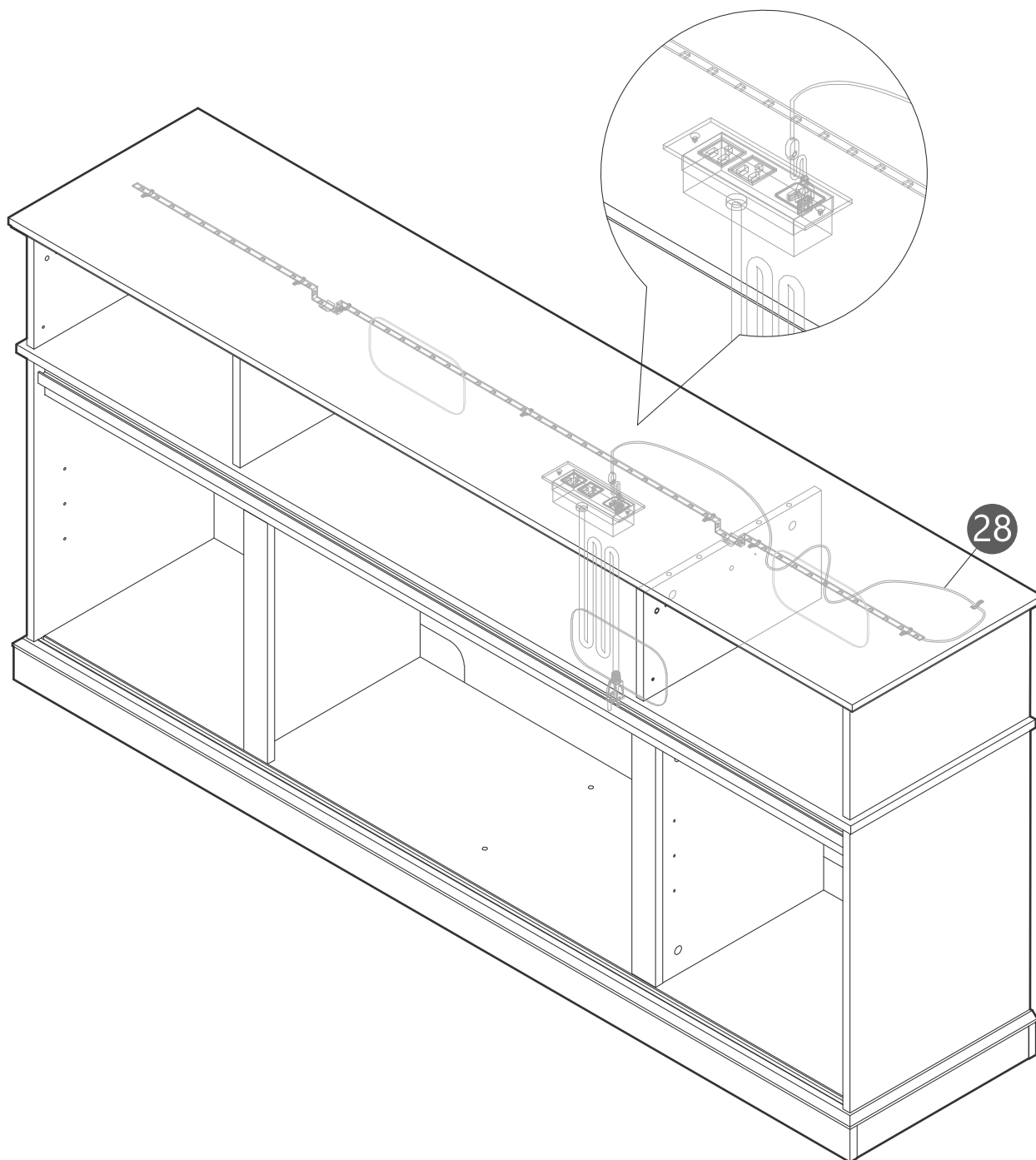
# Step 25

Using Screws (Q) to secure Plug Socket(27).



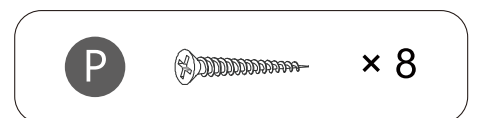
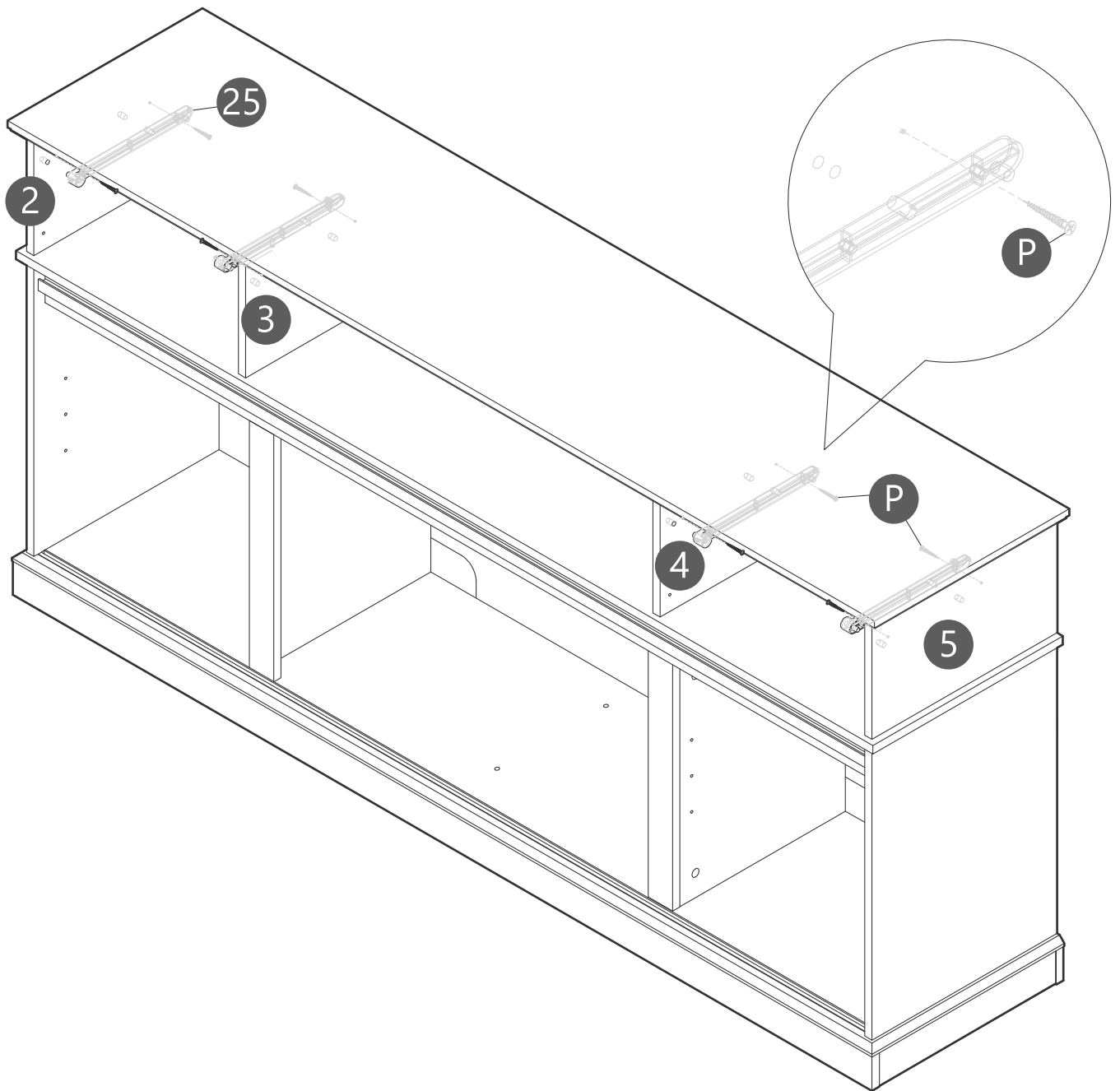
# Step 26

Plug the USB connector of the light strip into the USB socket.



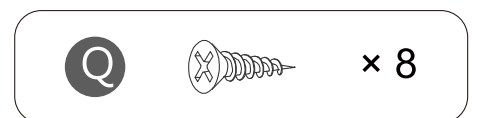
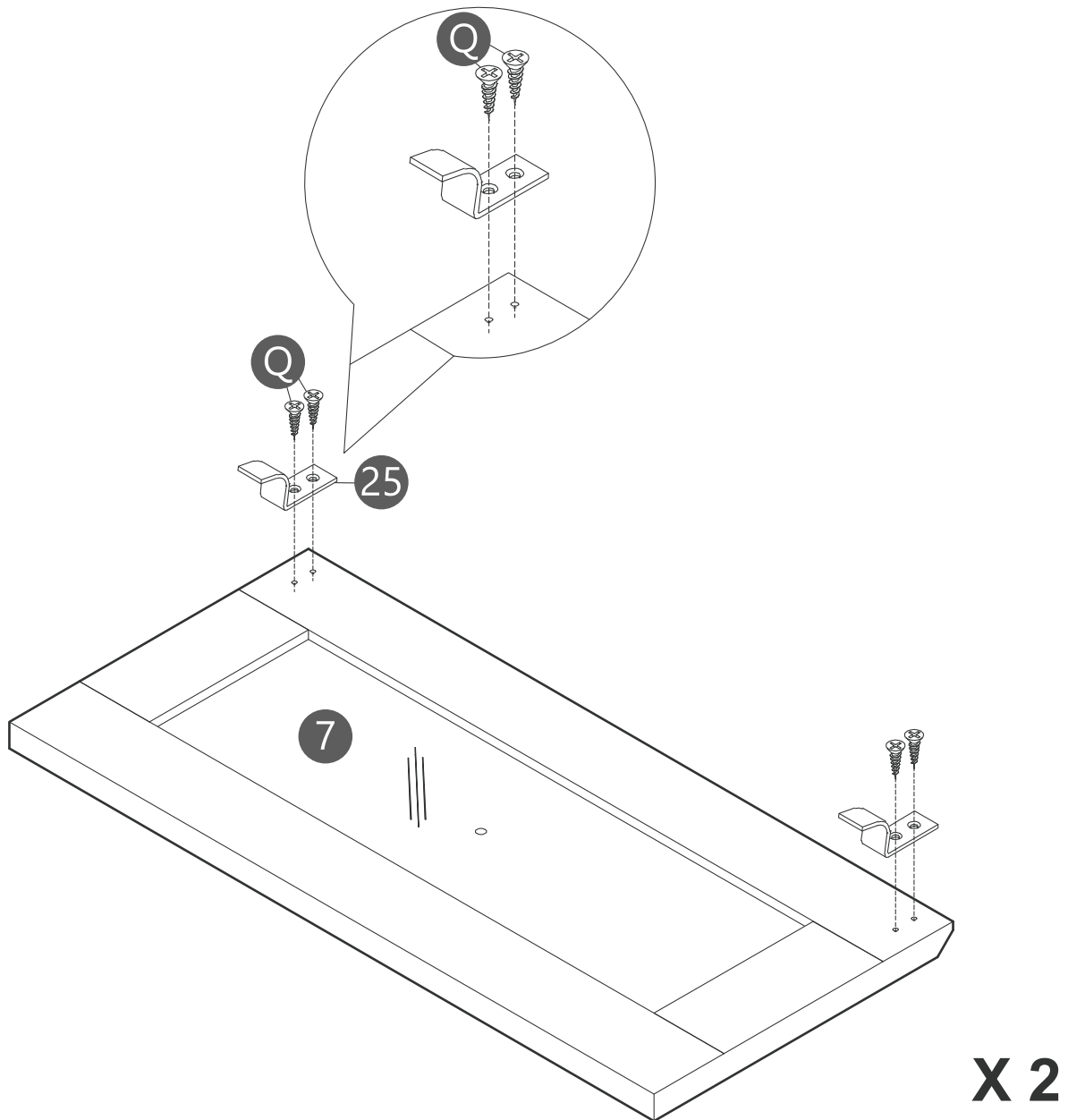
# Step 27

Using Screws (P) to secure Slide(25) to Board (2&3&4&5).



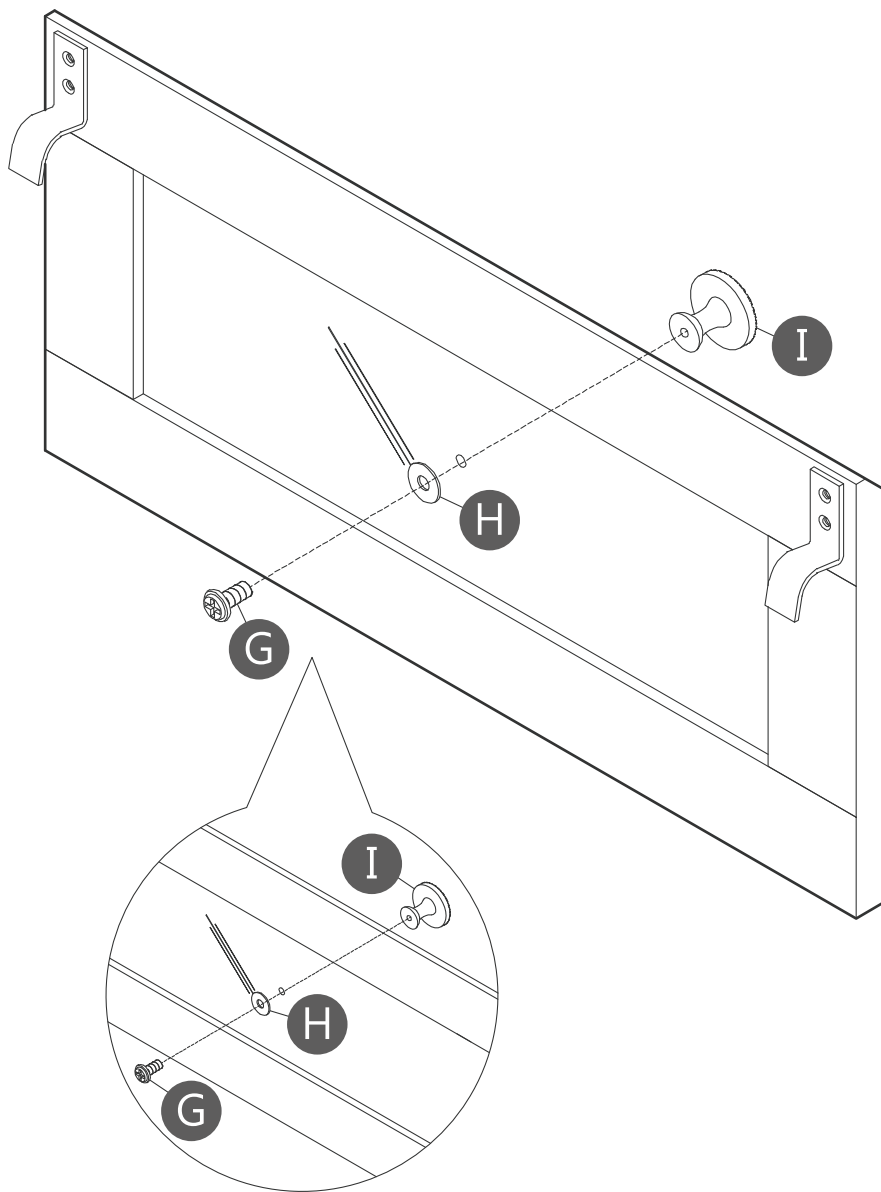
# Step 28

Using Screws (Q) to secure Drawer stop(25) to Board(7).






# Step 29

Using Screws (I) to secure Drawer Handle.

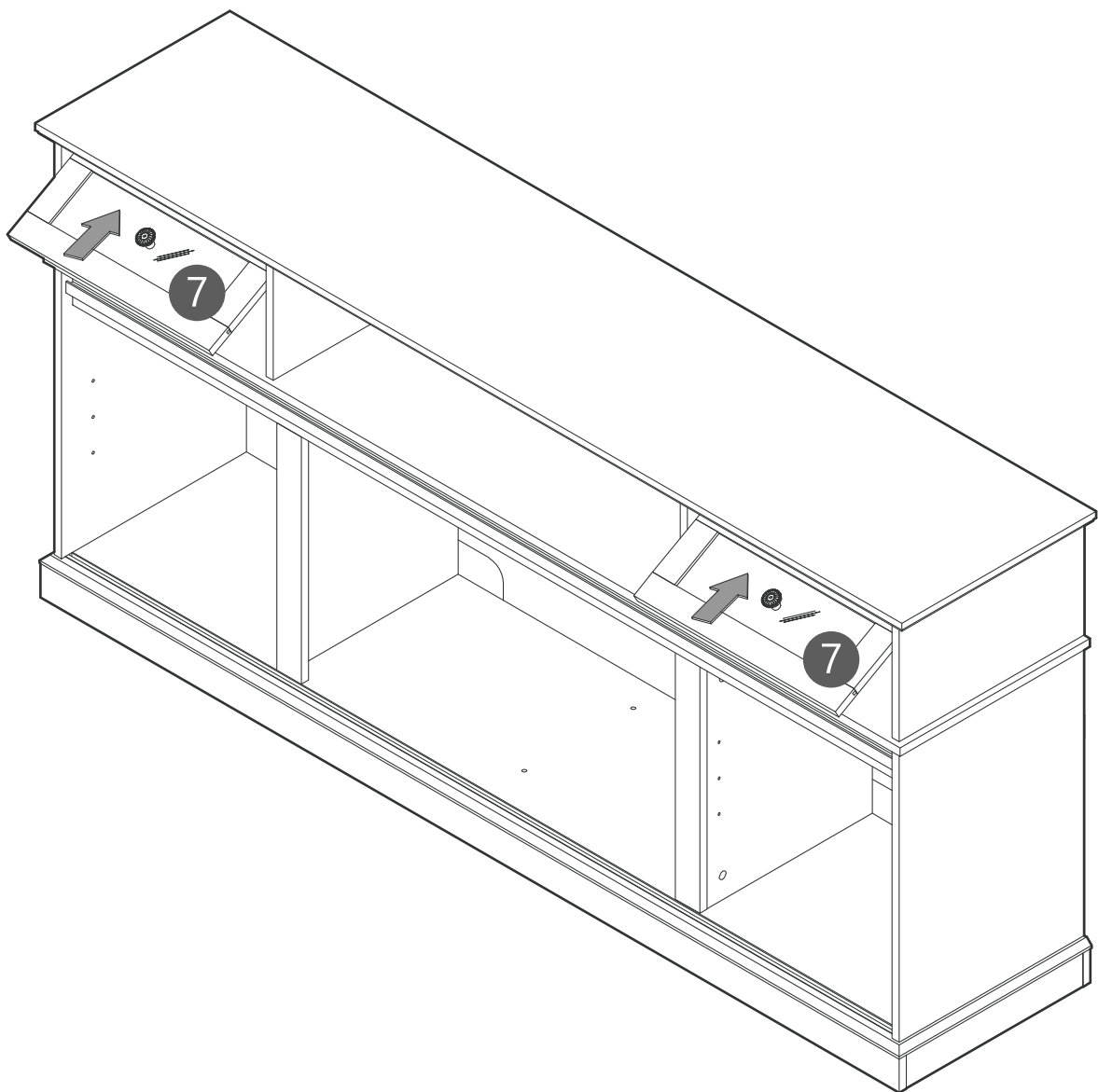
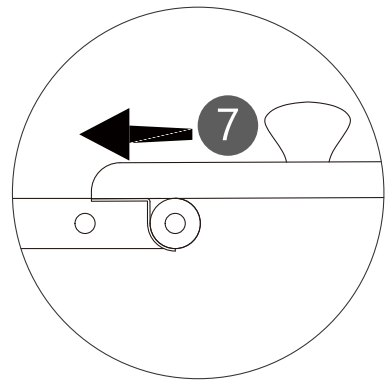
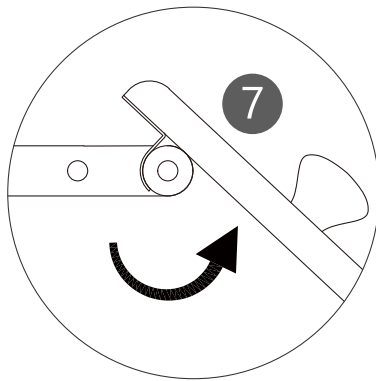
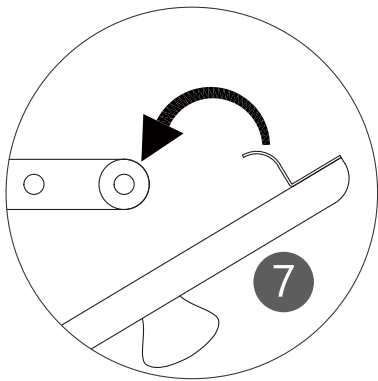


**X 2**

<b>G</b>		× 2
<b>H</b>		× 2
<b>I</b>		× 2

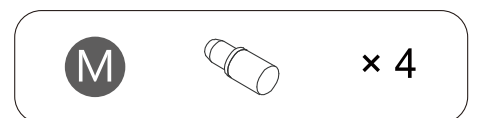
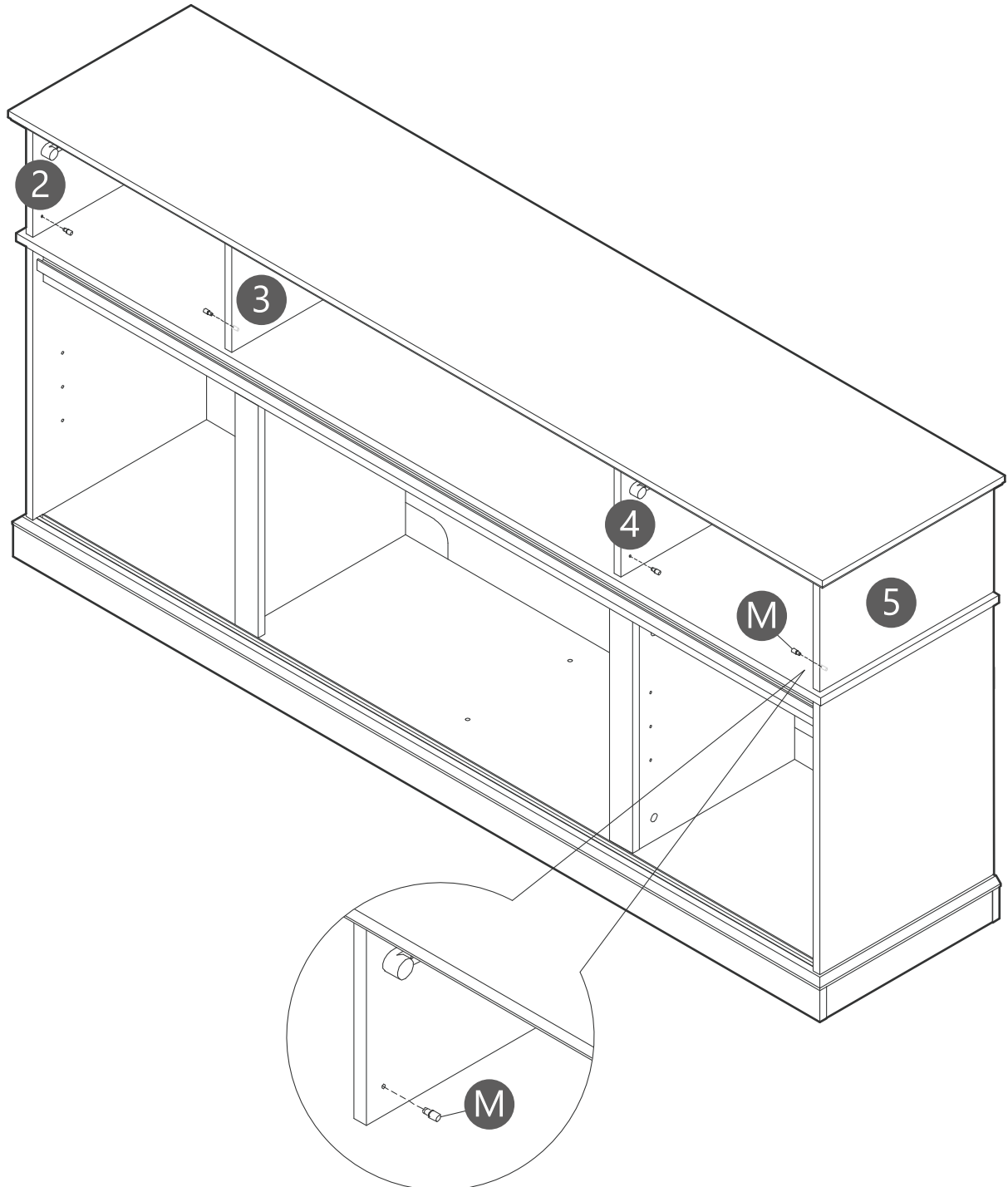
# Step 30

Put the Flip Drawers into the TV Stand.



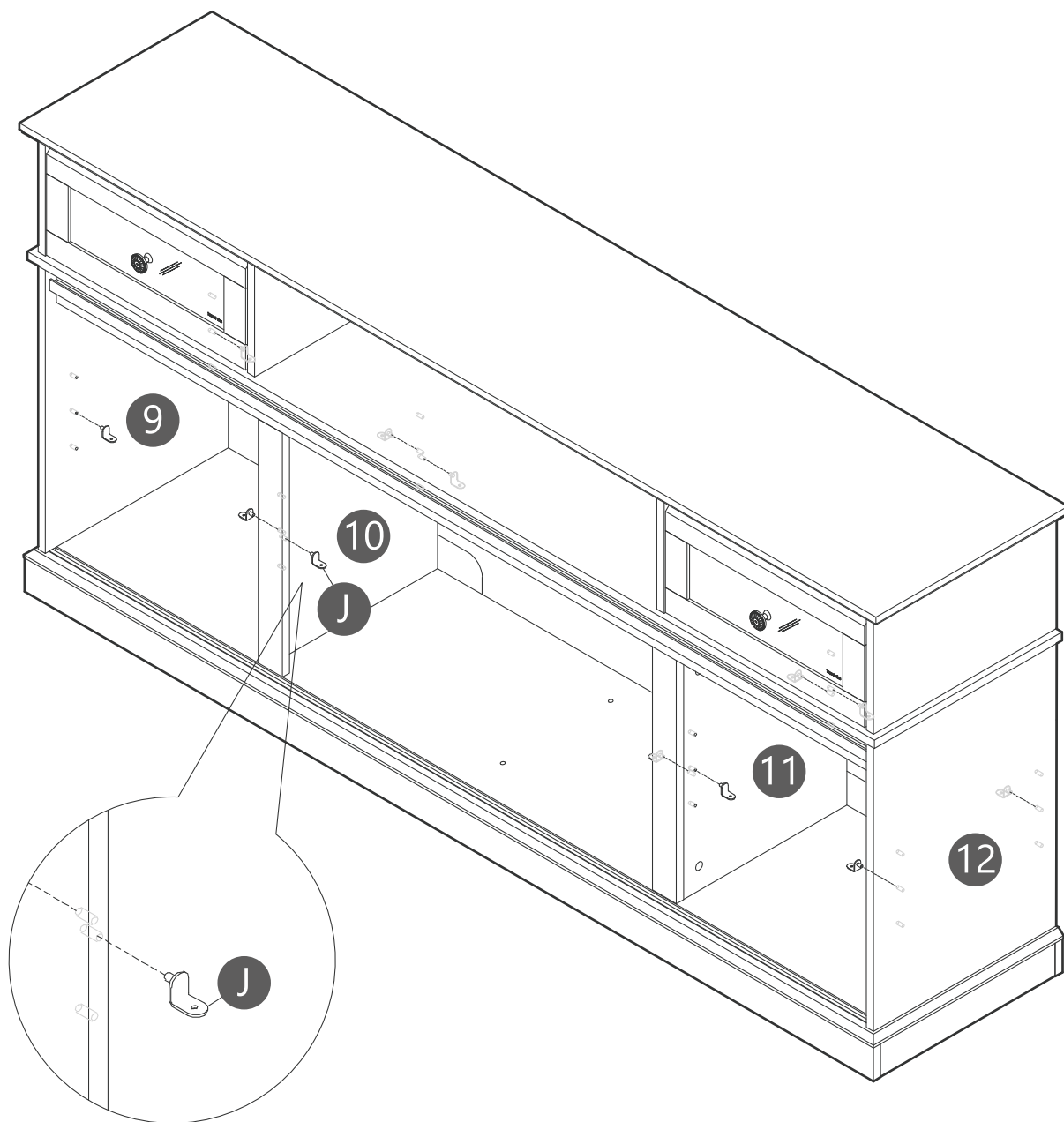
# Step 31

Inserting Drawer Stop(M) into Board (②&③&④&⑤).



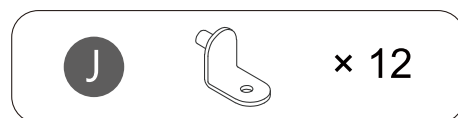
# Step 32

Inserting (J) into Board(⑨&⑩&⑪&⑫).



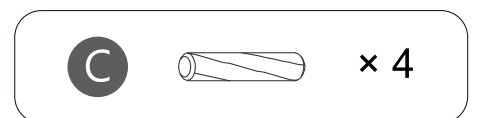
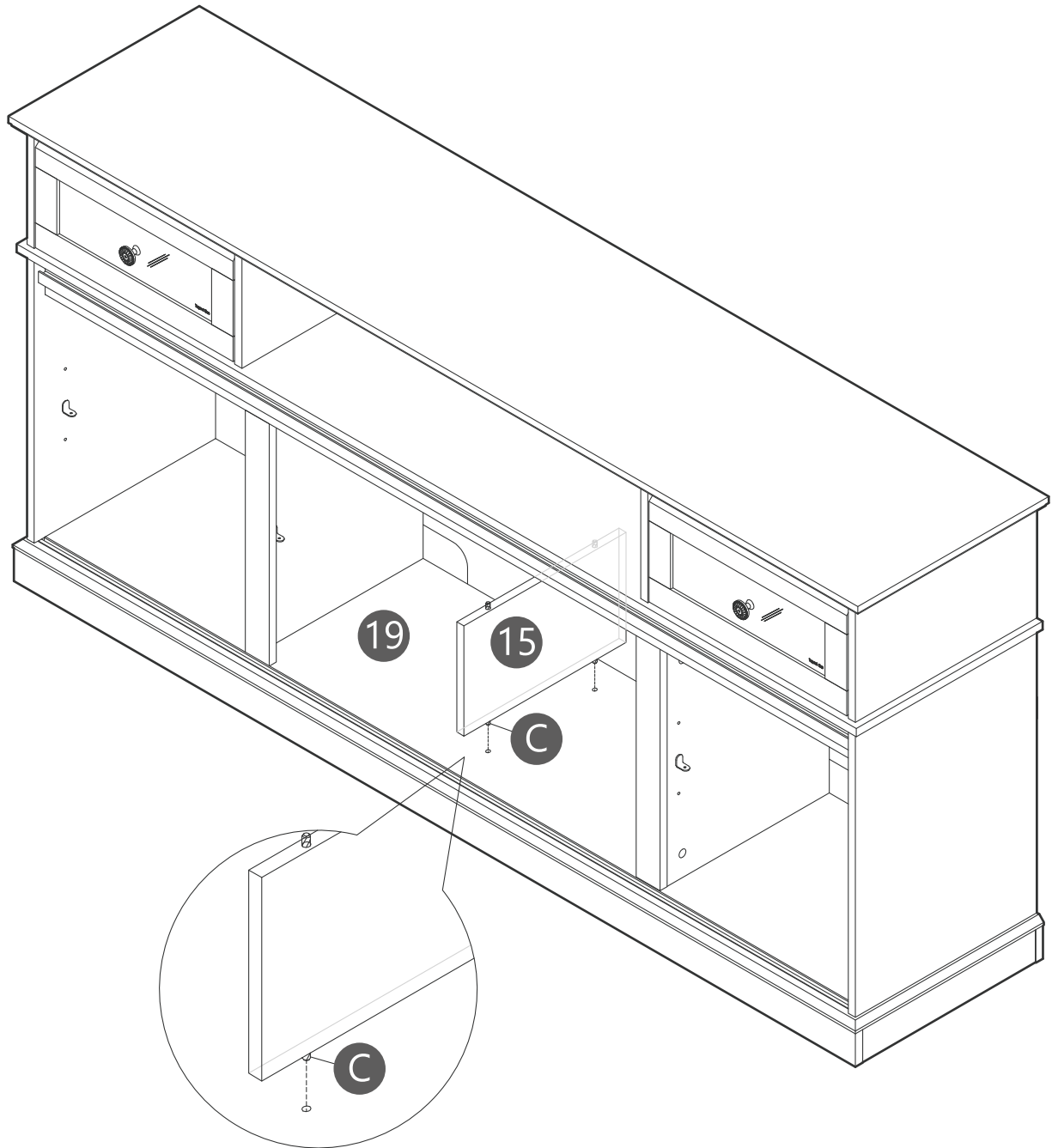
Warm tips:

Make sure to install (J) in place, otherwise there will be gaps, making it difficult to install (⑬&⑭). (J) is adjustable in 3 gears, and it need to be installed at the same height.



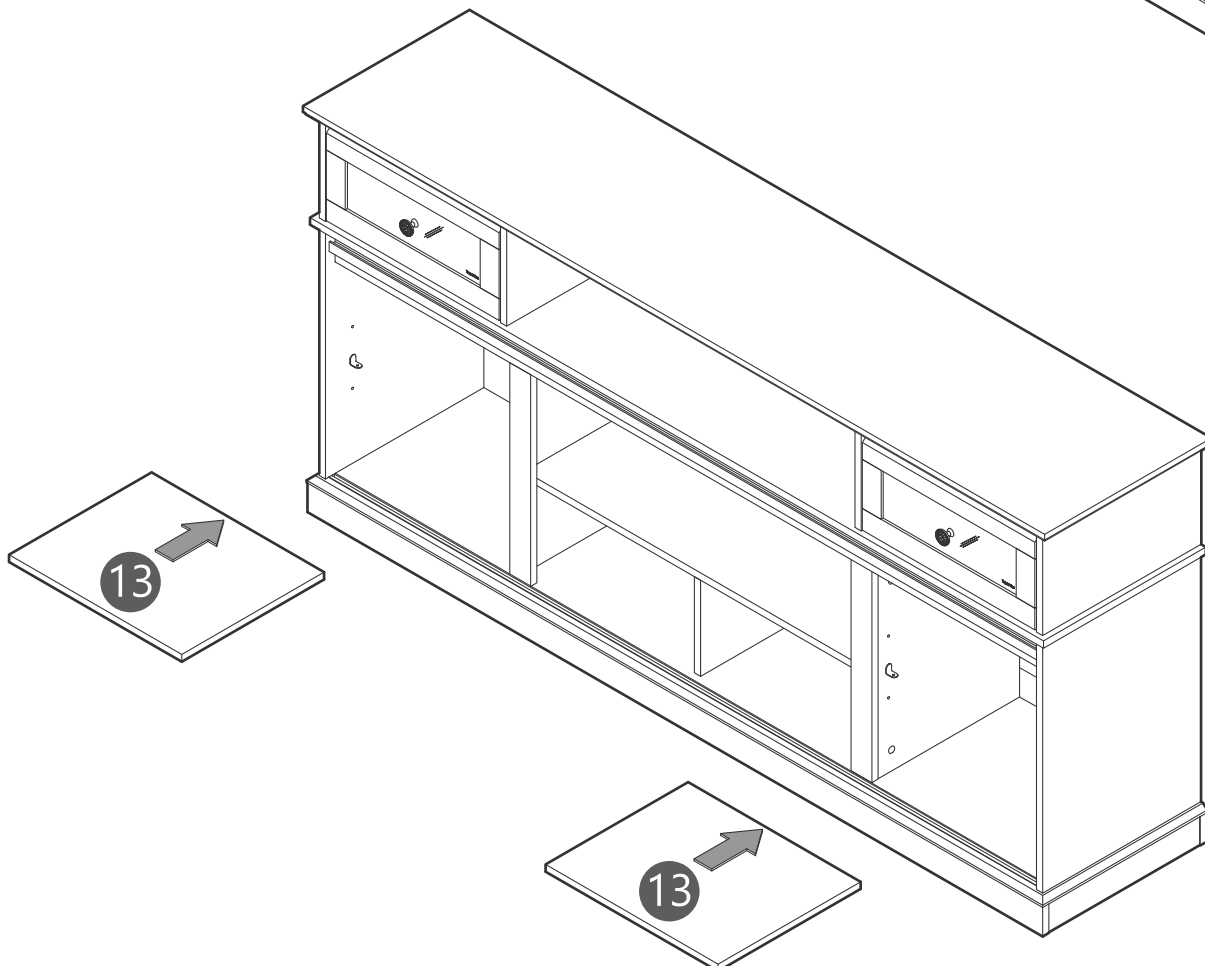
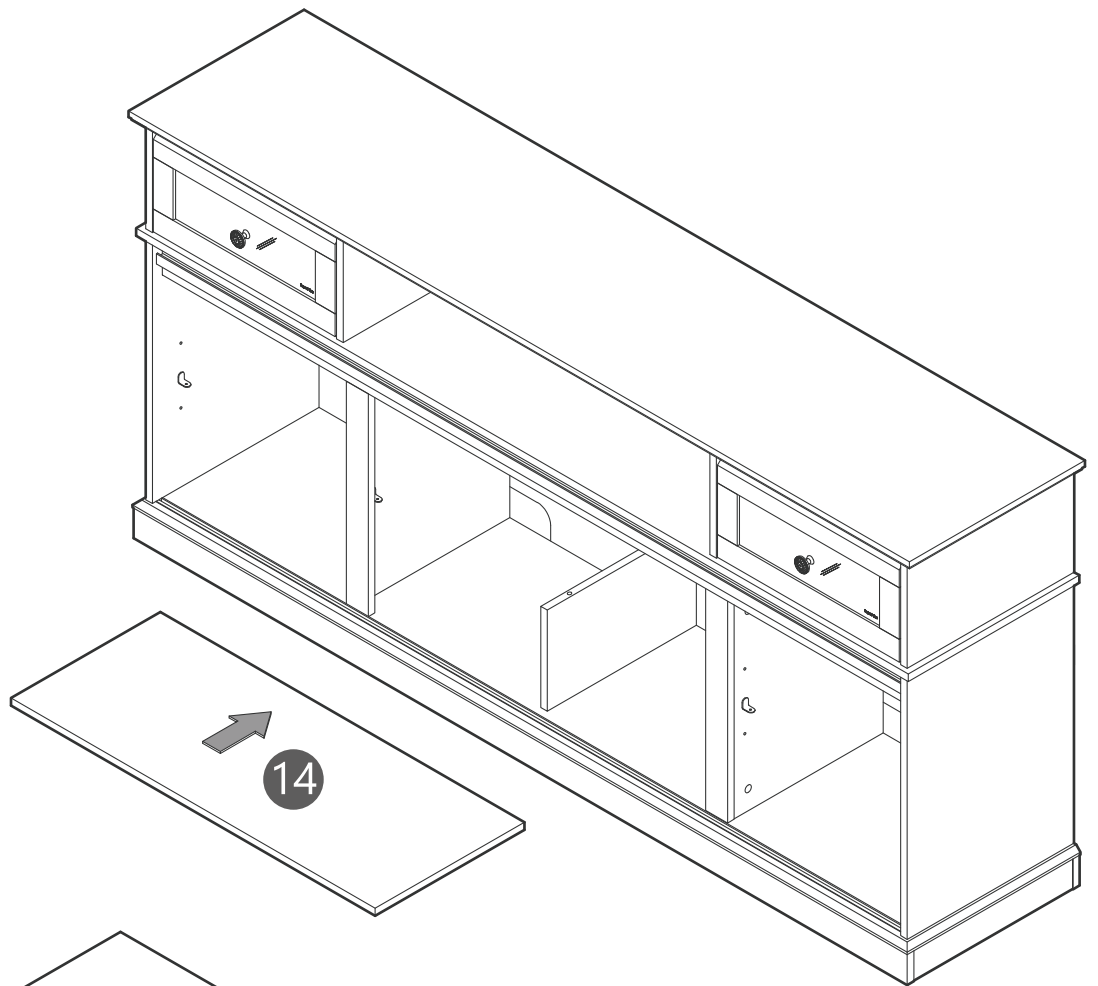
# Step 33

Inserting Wooden Dowel (C) into Board(19),and then attach Board (15) to Board (19).



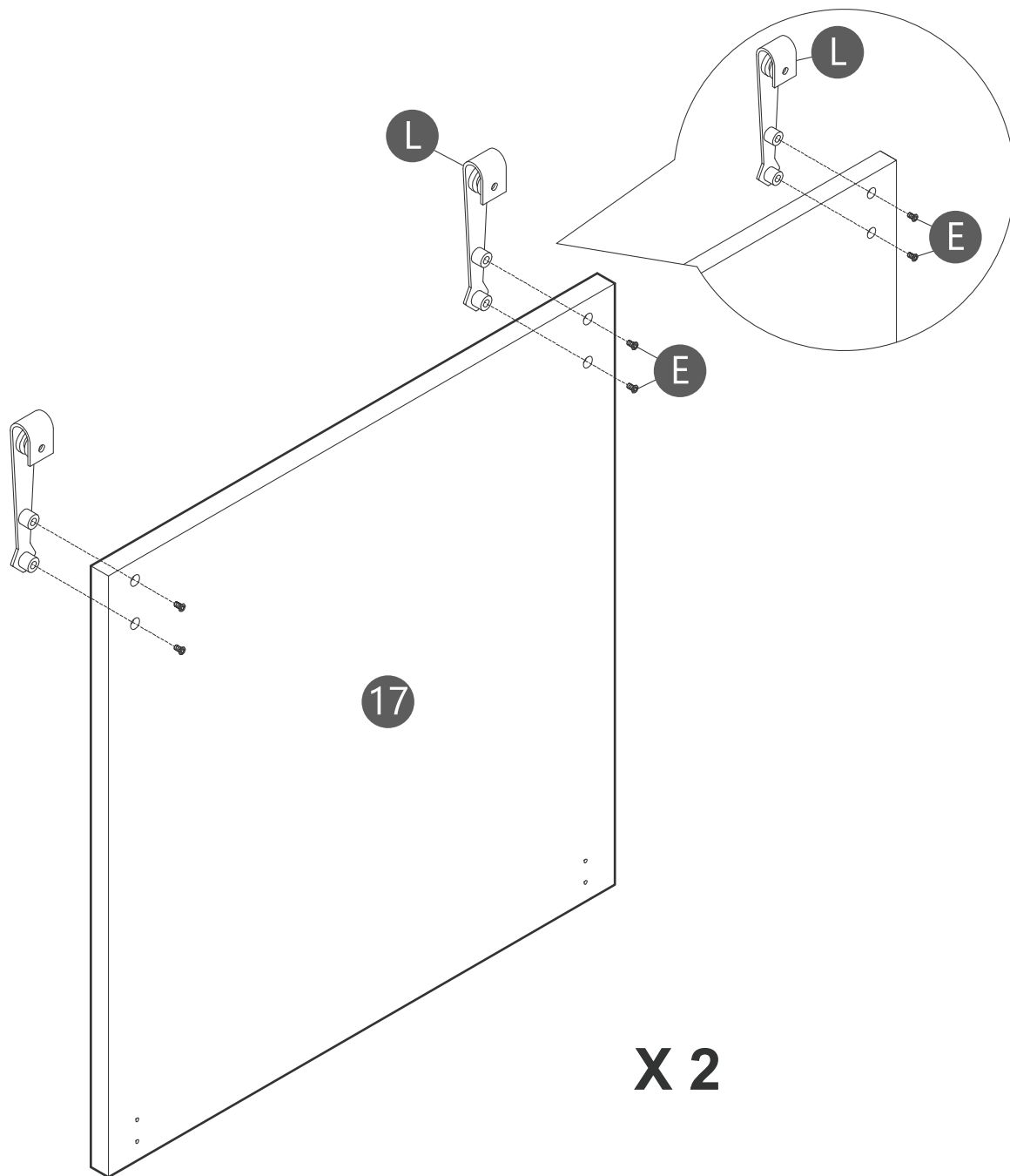
# Step 34

Place the shelf into the pre-drilled holes.



# Step 35

Using Screws (E) to secure (L) to Board (17).

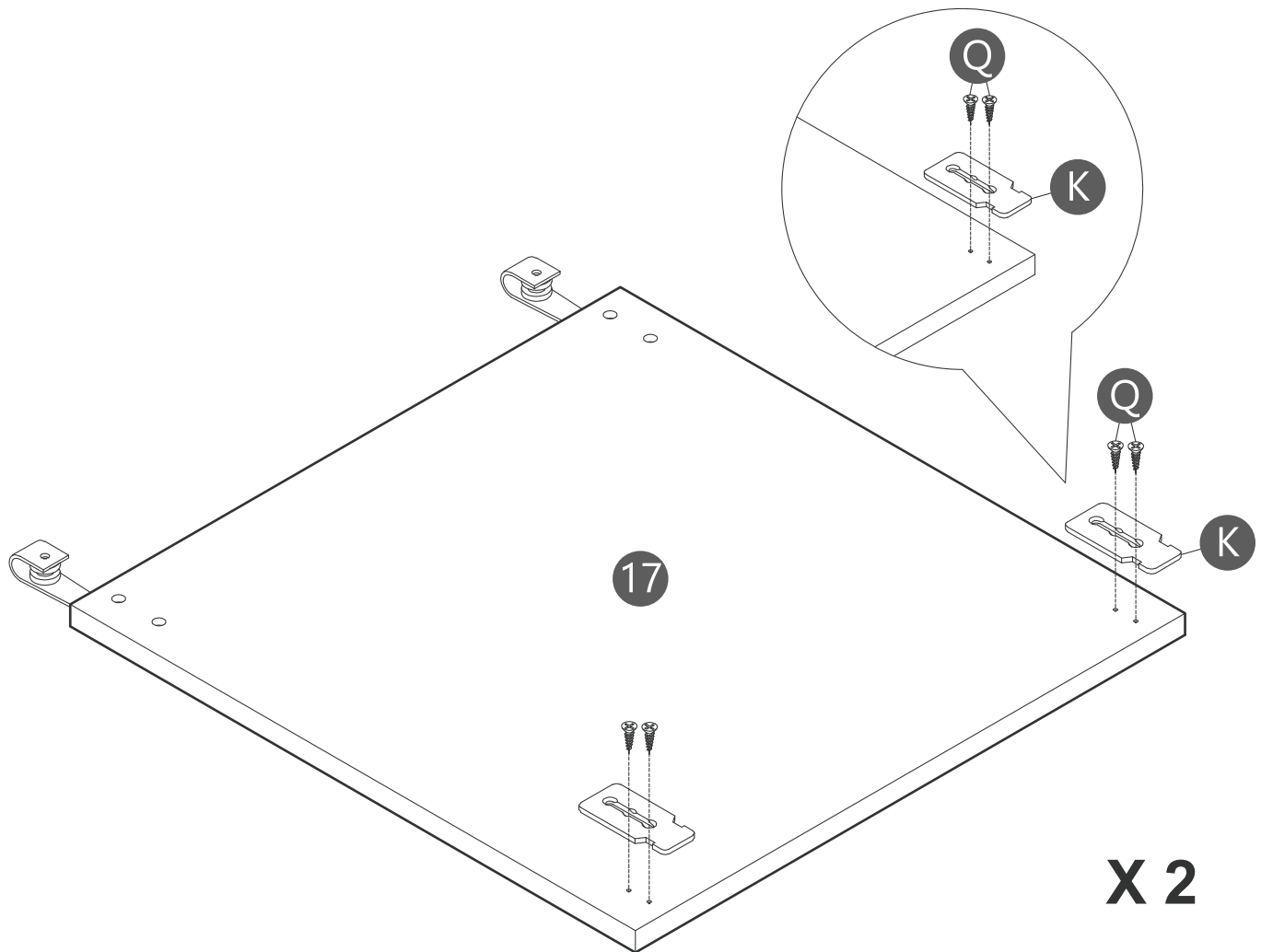


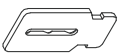

**X 2**

<b>E</b>		× 8
<b>L</b>		× 4

# Step 36

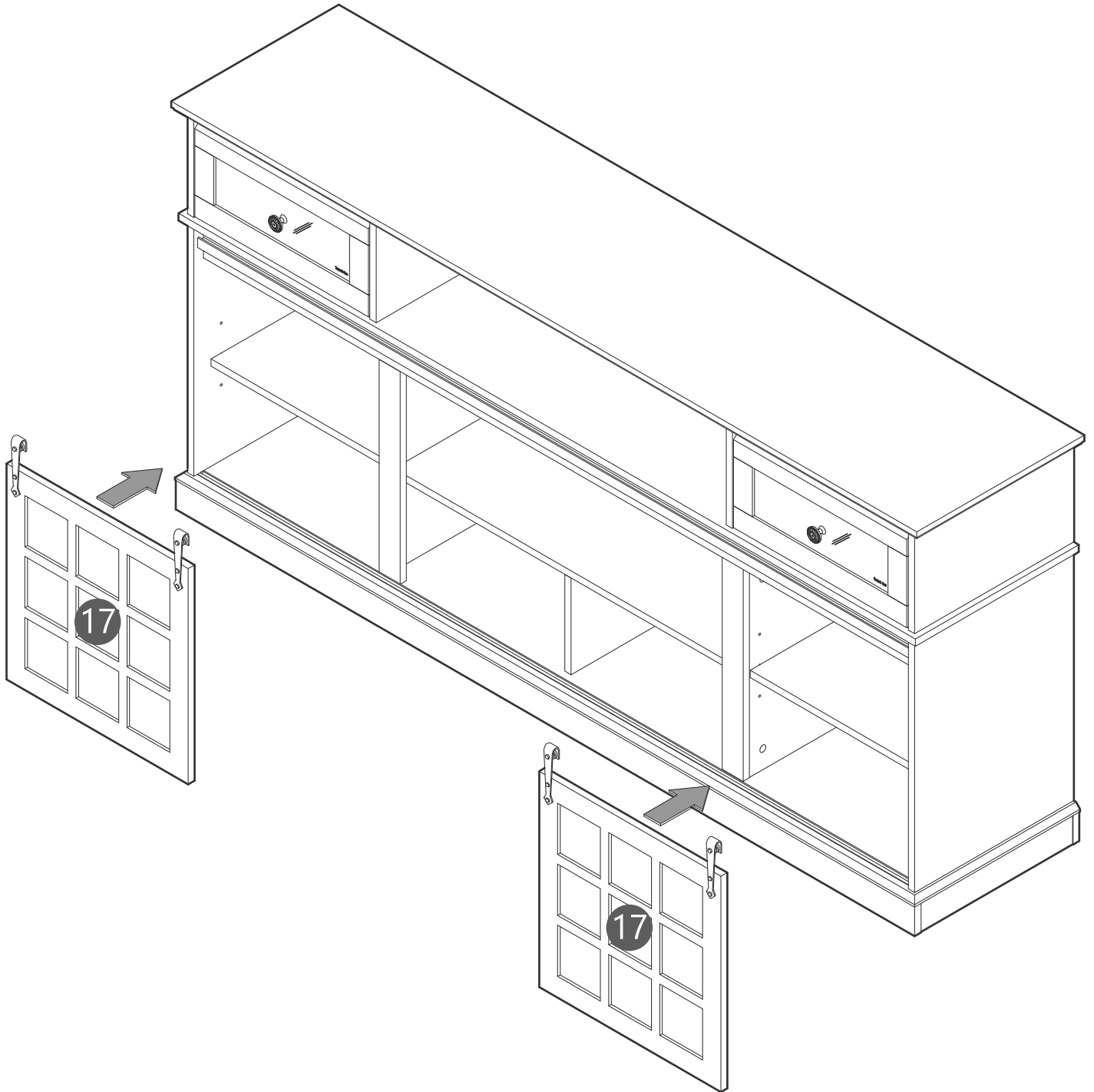
Using Screws (Q) to secure (K) to Board (17).



K		× 4
Q		× 8

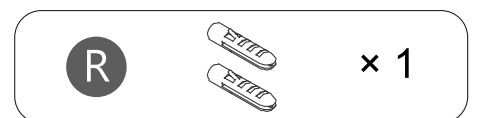
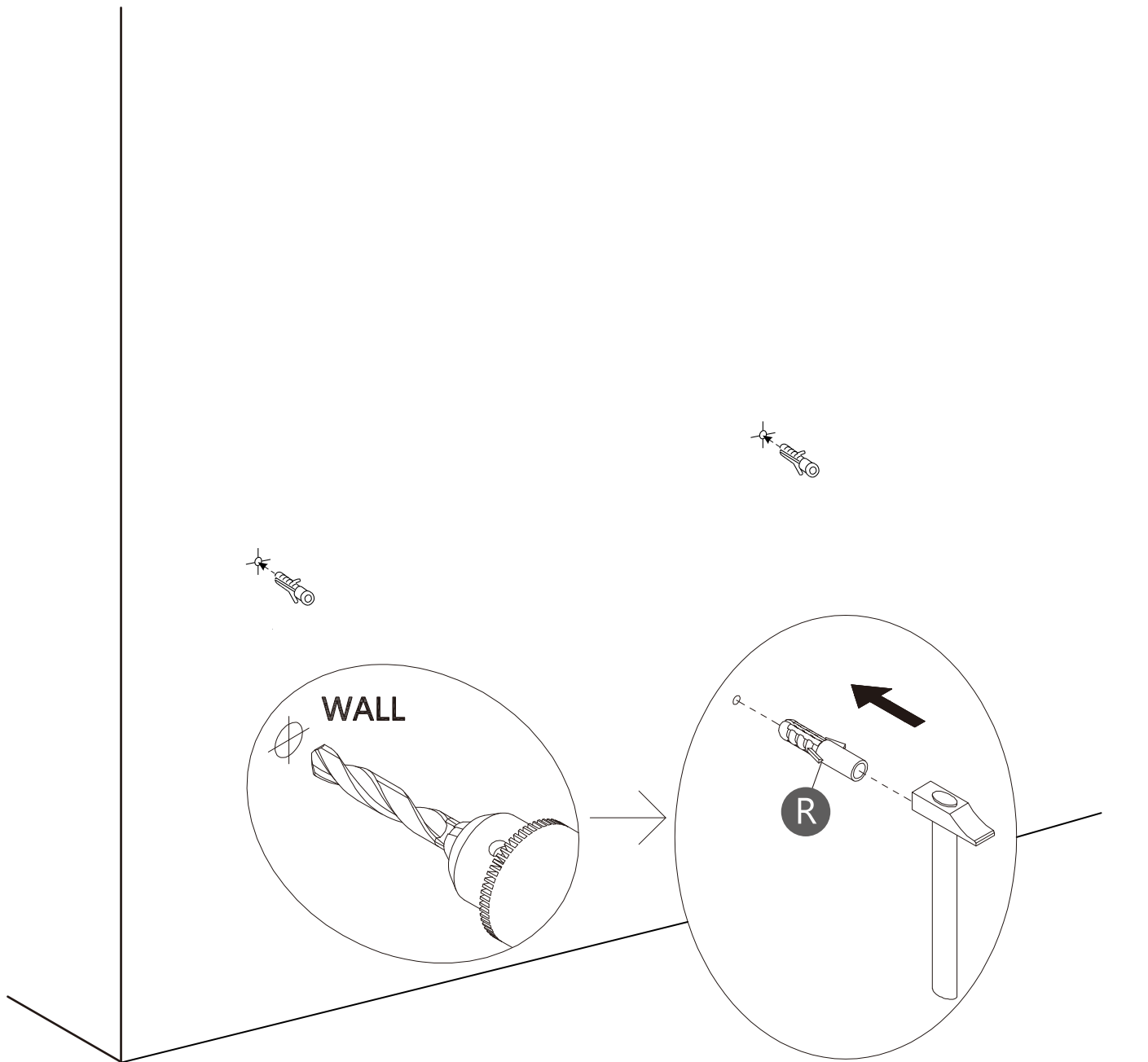
# Step 37

Insert the Sliding Barn Doors (17) into the cabinet.



# Step 38

Drill 2 holes in the wall and Hammer the (R) in.



# Step 39

Using Screw (R) attach Anti-tipping Belt into Nut (R) to wall.

