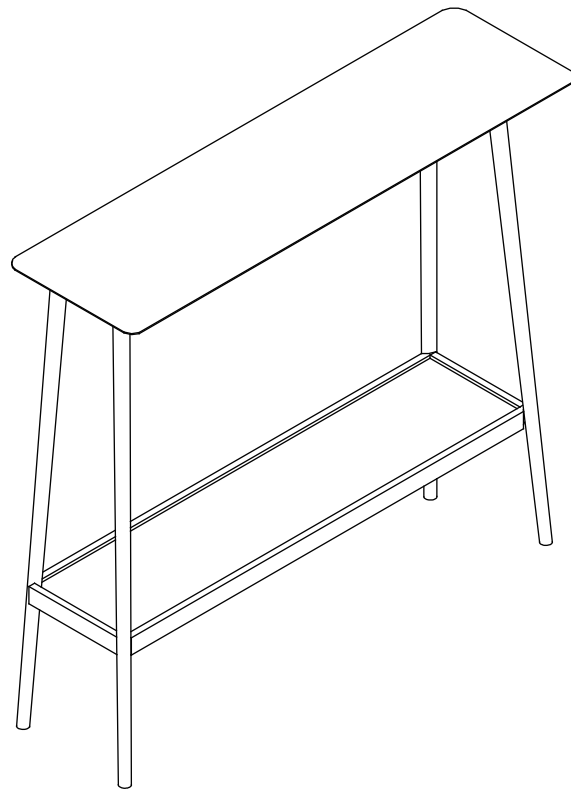


Console Table



Assembly Instructions

We have designed our furniture with you, the customer in mind. Our clear, easy to follow step by step instructions will guide you through the project from start to finish.

Feel confident that this will be a fun and rewarding project. The final product will be a quality piece of furniture that will go together smoothly and give years of enjoyment.

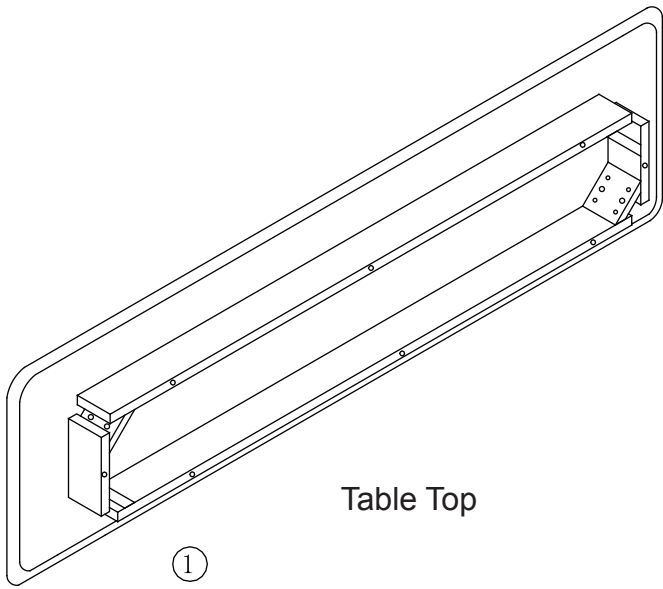
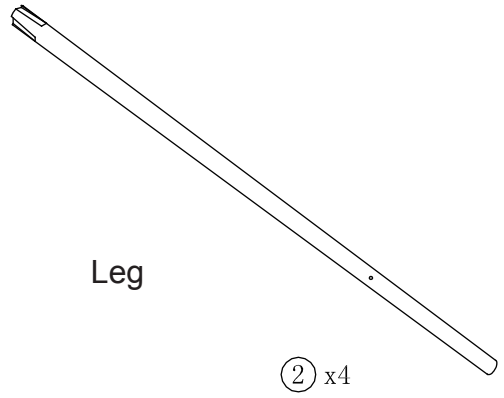
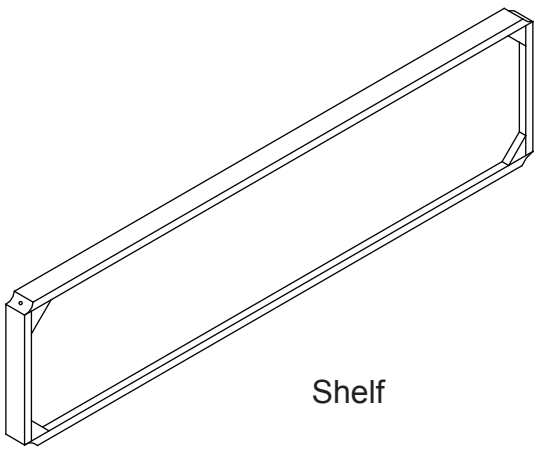


Table Top



Leg

② x4



Shelf

③



A×12

Screw



B×8

Washer



C×2

Wall Screw



D×2

Wall Anchor



E×2

Small Screw

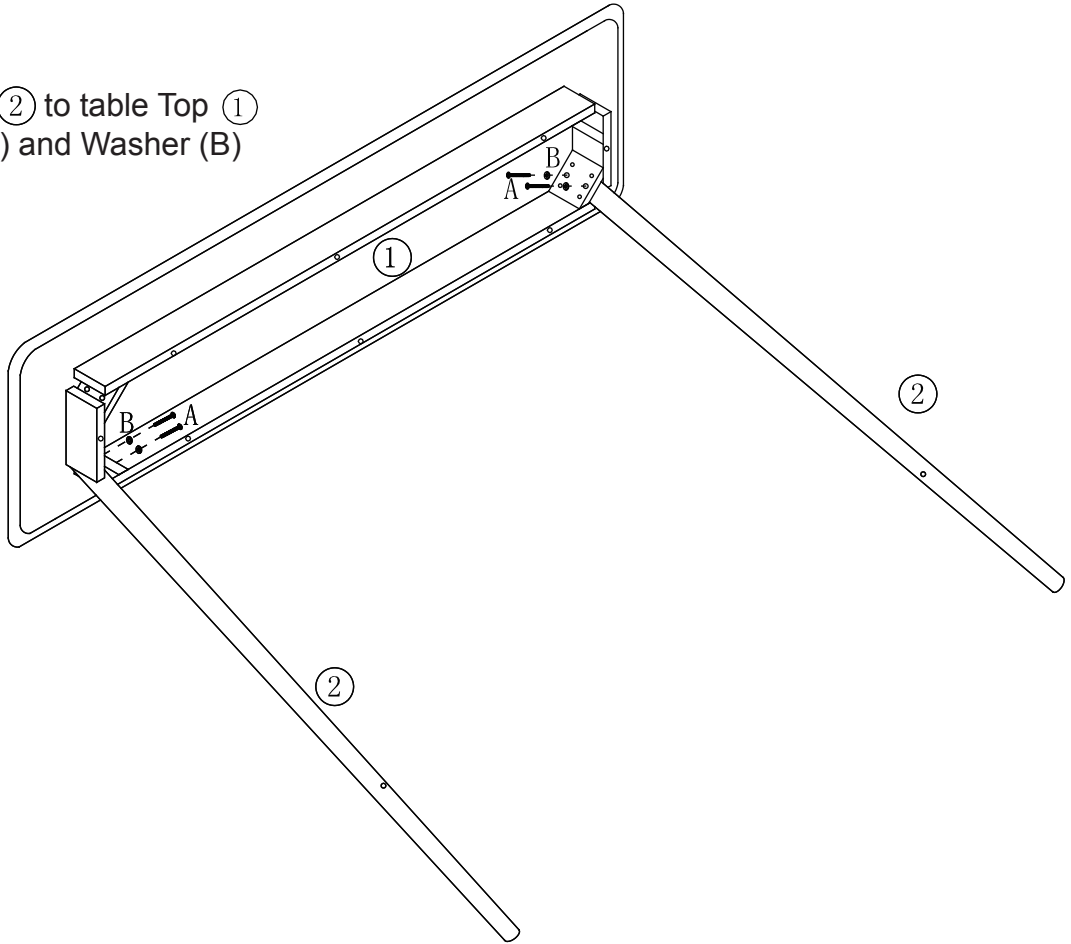


F×2

Safety Strap

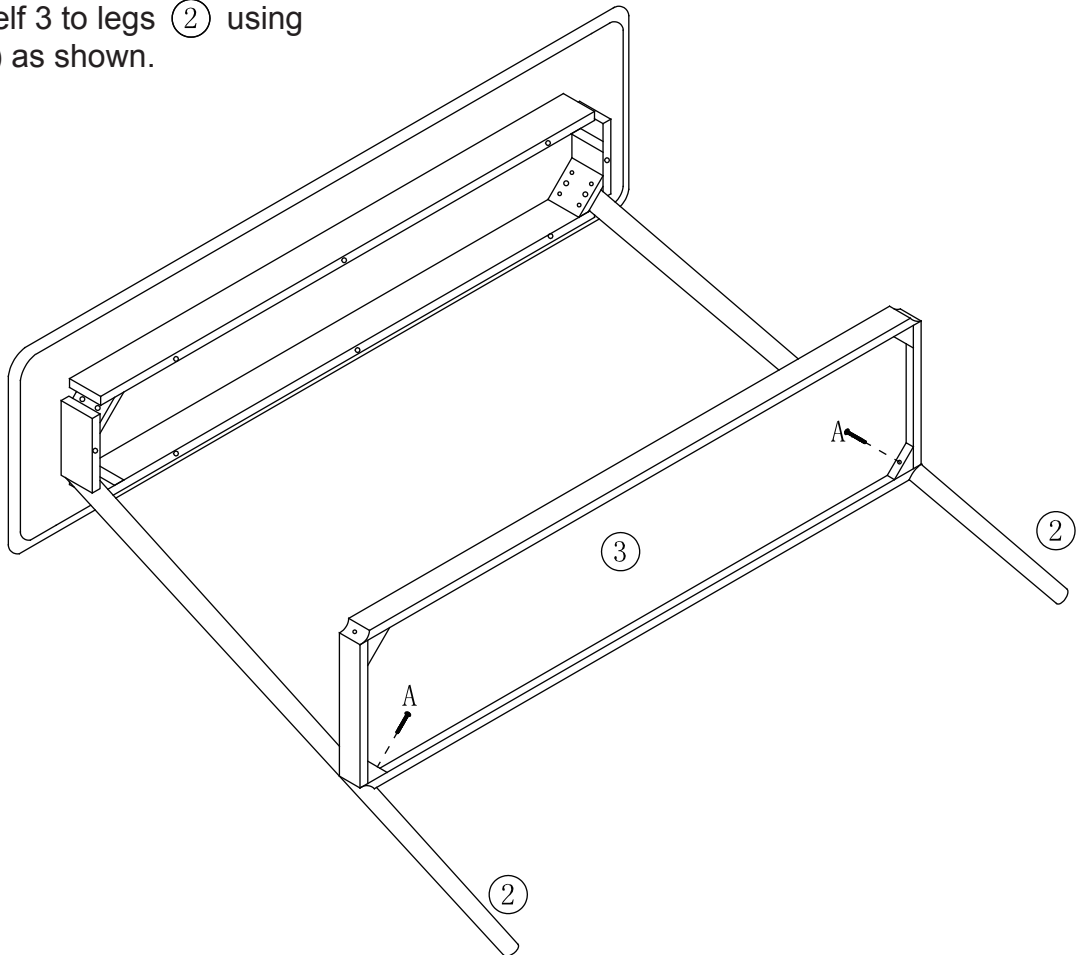
Step 1

1. Attach two legs (2) to table Top (1) using Screws (A) and Washer (B) as shown.



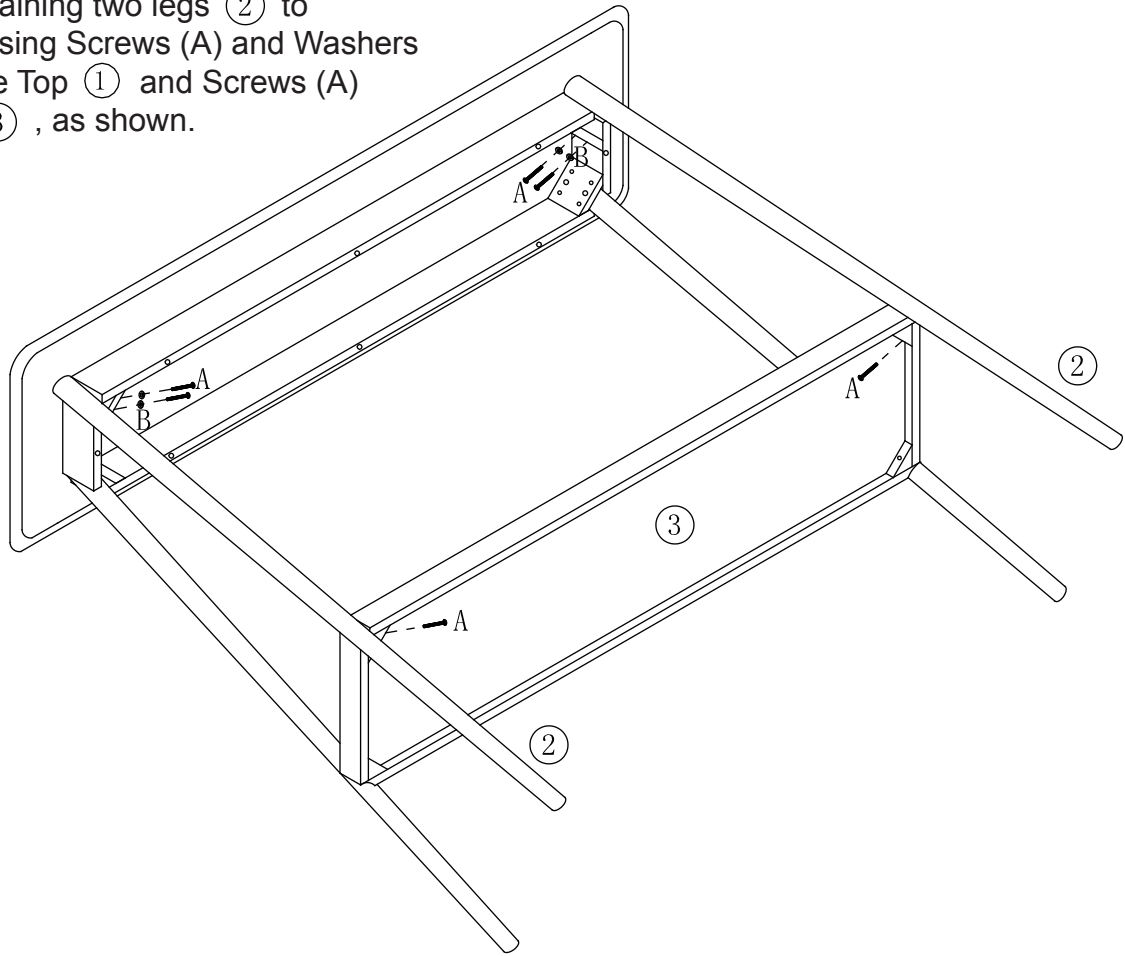
Step 2

1. Attach Shelf 3 to legs (2) using Screws (A) as shown.



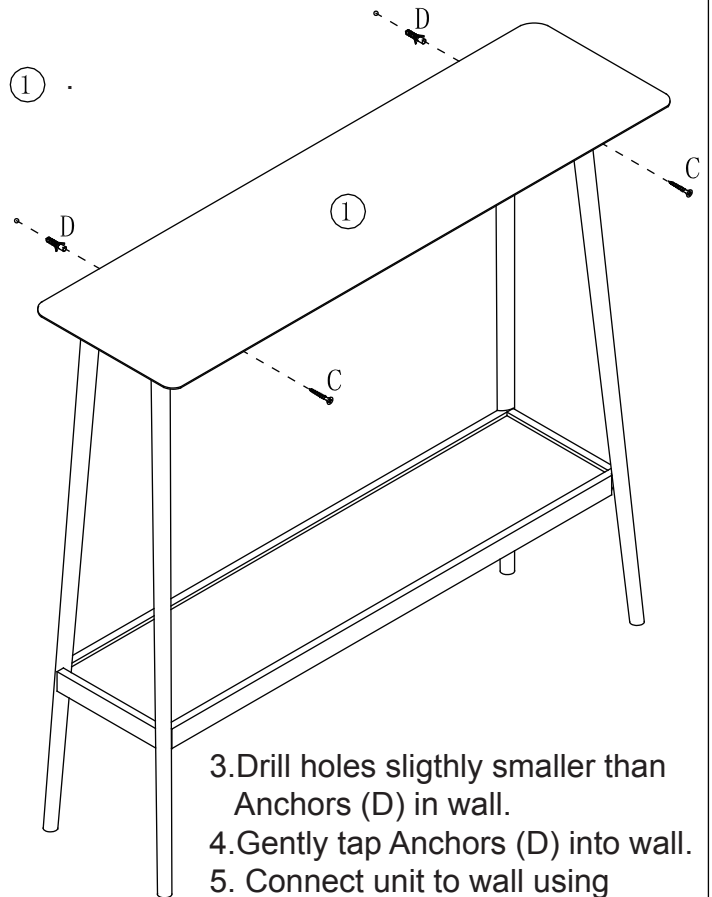
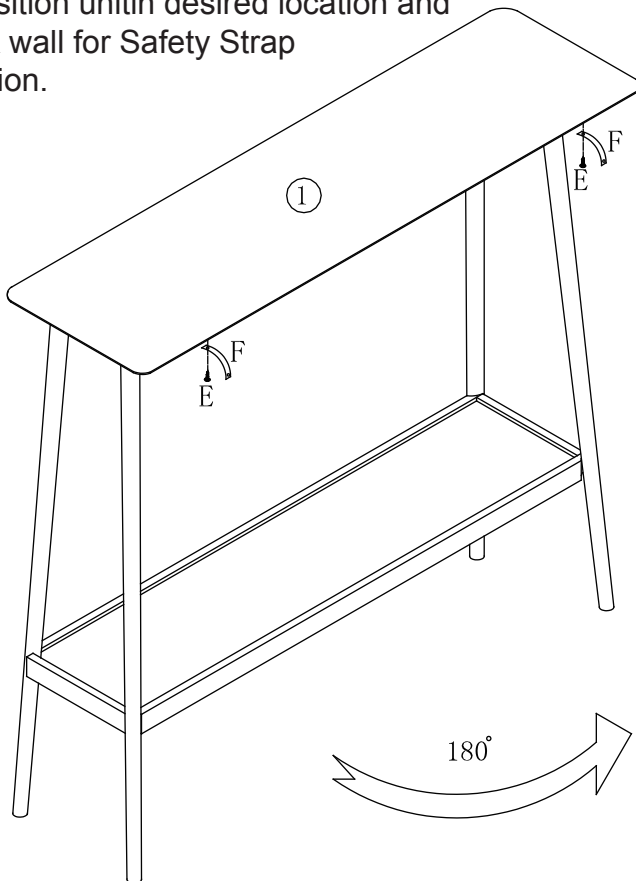
Step 3

1. Attach remaining two legs (2) to assembly using Screws (A) and Washers (B) on Table Top (1) and Screws (A) on Shelf (3), as shown.



Step 4

1. Attach Safety Straps (F) to underside of Table Top (1).
2. Position unit in desired location and mark wall for Safety Strap location.



3. Drill holes slightly smaller than Anchors (D) in wall.
4. Gently tap Anchors (D) into wall.
5. Connect unit to wall using Screws (C) and Safety Strap (F).