

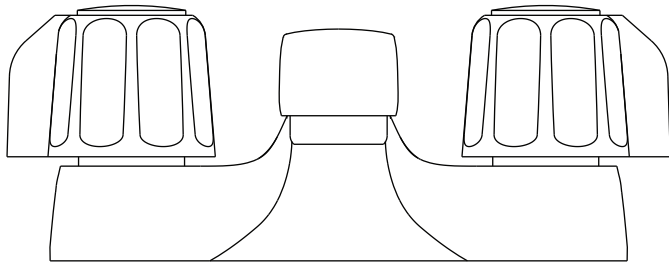
Item LFB01  
 Item LFB02 (With POP-UP)  
 Item LFB03 (With POP-UP)



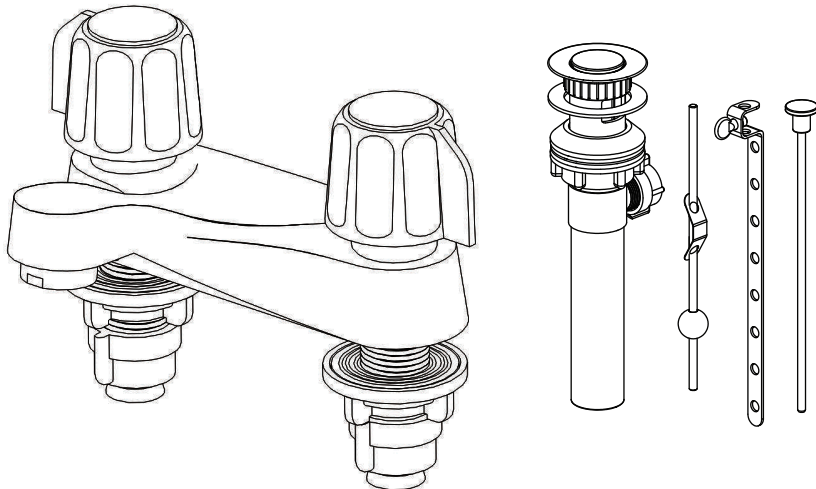
Fits right, always tight, safe & durable.

### Care Instructions

To clean, wipe gently with a soft, damp cloth, then wipe dry. Plumbtech® faucet finishes are very durable. However, to ensure long lasting luster, harsh abrasives or polishes should be avoided. Your specific model may vary.



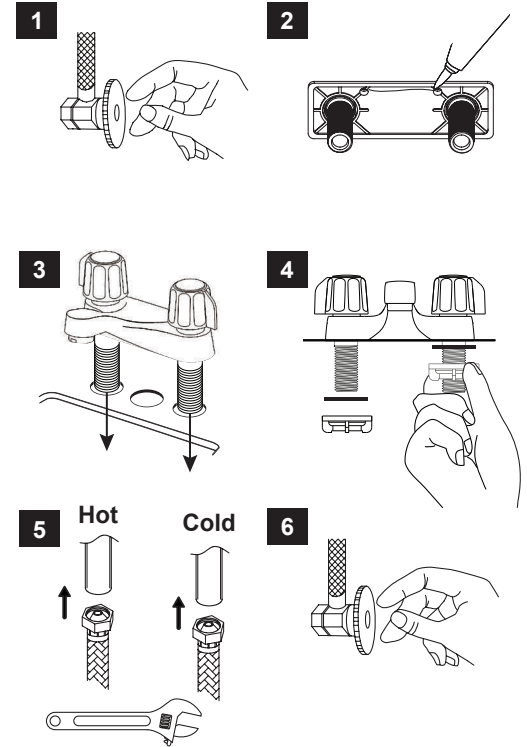
The product illustrated may vary slightly from the actual product.



## SINGLE & DOUBLE HANDLE FAUCET INSTALLATION INSTRUCTIONS

### TO INSTALL SINGLE & DOUBLE HANDLE FAUCETS

- 1 Turn off the water supply at the valves under the sink or at the main supply line. Remove the existing faucet and clean any residue from the sink surface.
- 2 Apply clear silicone latex caulk to the base plate of the new faucet (caulk not included).
- 3 Position the new faucet by inserting the tailpieces into the corresponding holes on the sink.
- 4 Underneath the sink, attach the supplied basin nut onto each tailpiece and hand-tighten to secure the faucet.
- 5 Connect the hot and cold water supply lines to the respective tailpieces. Use a wrench to tighten the connections. Be careful not to overtighten to avoid damaging the fittings. Ensure all connections are securely tightened. Turn on the water supply at the valves. Test the faucet operation by turning it on and checking for leaks around the connections. Unscrew and remove the aerator from the faucet spout. Run both hot and cold water for at least 30 seconds to flush out the water lines.
- 6 Turn off the faucet and reinstall the aerator onto the spout. Double-check all connections to ensure they are secure and leak-free.



On single lever faucets, use a wrench to hold the copper faucet lines in place when tightening supply lines. This will help prevent twisting and kinking or damaging the faucet.

### TO INSTALL POP-UP ASSEMBLY (for models where included):

- A. Thread mounting nut and bottom gasket onto drain body. Wrap top threaded end of the drain body with teflon tape.
- B. Insert drain body up through the drain opening and screw seat onto brain body. Hold the drain body with pivot rod opening facing the back of the sink.
- C. Place pivot rod in proper opening. Slide pivot nut over rod and thread nut onto drain body. Tighten firmly, but DO NOT OVER-TIGHTEN
- D. With lift rod in position in the faucet, insert lift rod through lift rod strap and secure with set screw.
- E. Guide the pivot rod through any hole on the lift rod strap and secure it with the spring clip. Adjust the height of the lift rod by resetting the set screw.

