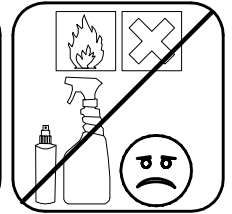
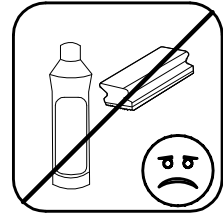
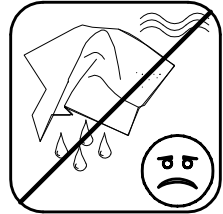
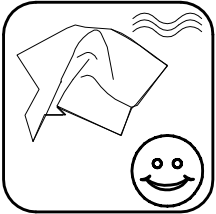
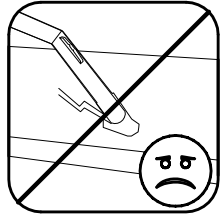
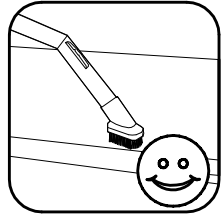
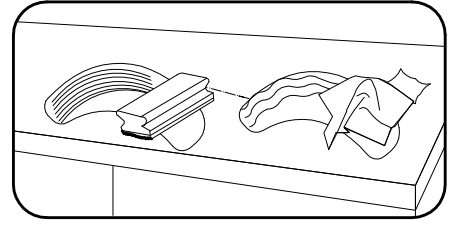
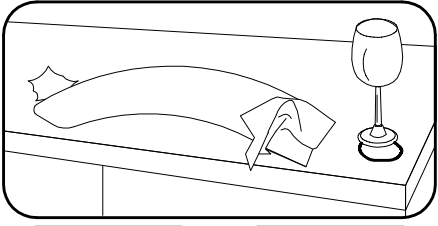
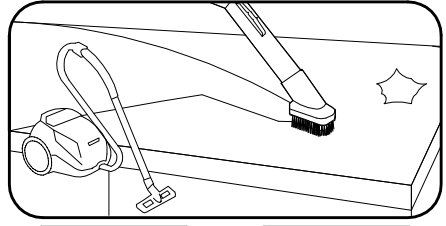
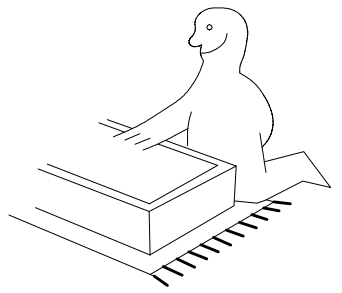
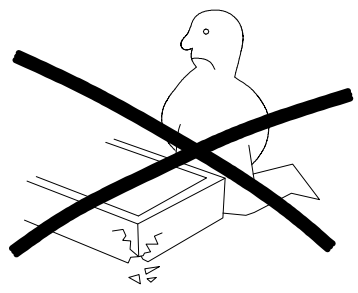
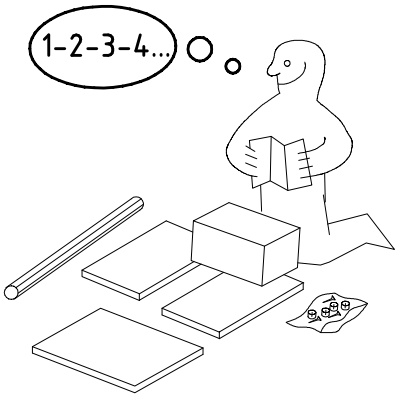
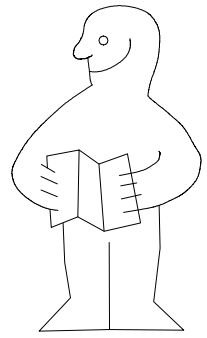
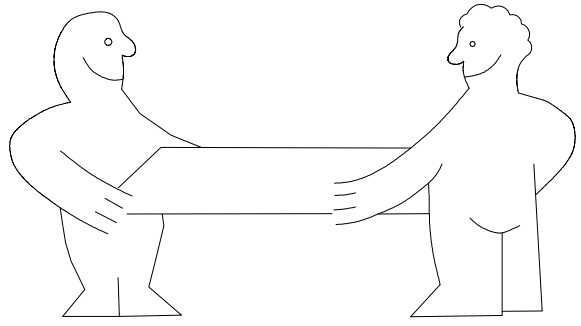
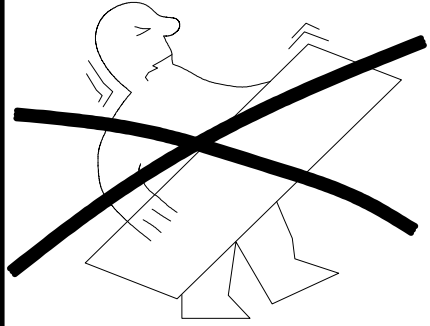

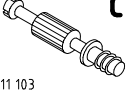

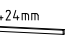
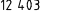
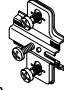

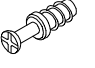


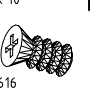





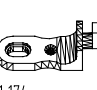
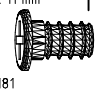

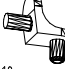
NSP 270 4SK88


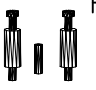

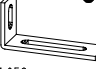


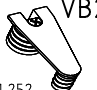


 111 102	A	24x
 111 103 3,5 x 35 mm	C	24x
 121 375	G14	12x
 424 mm	K21	2x
 112 403		

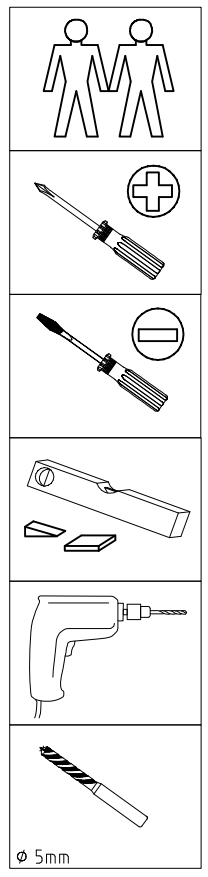
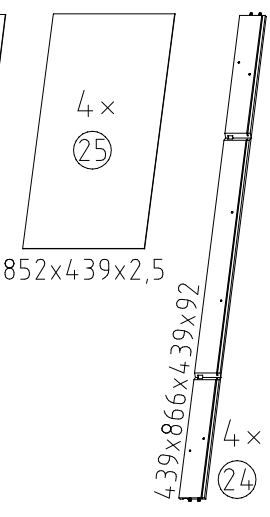
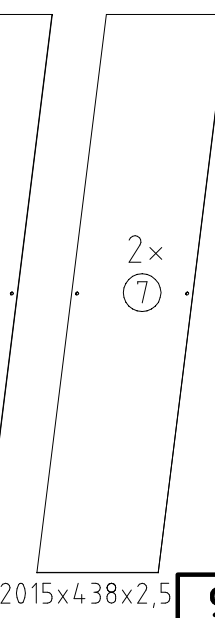
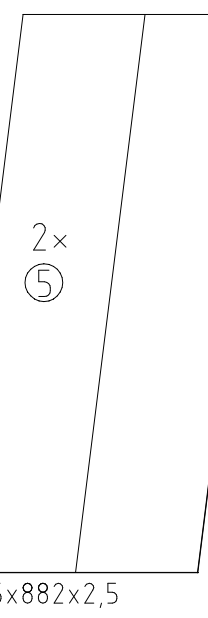
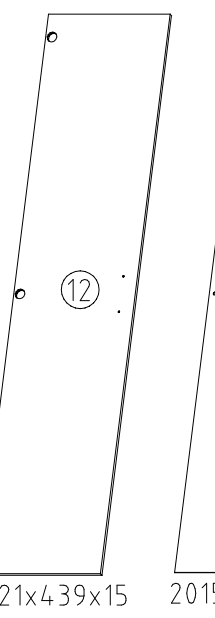
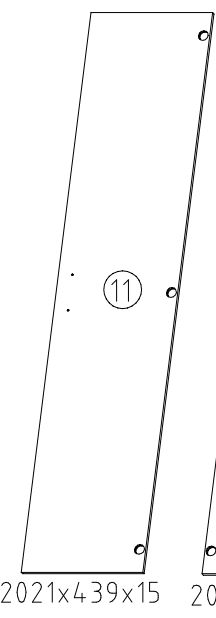
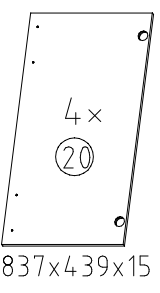
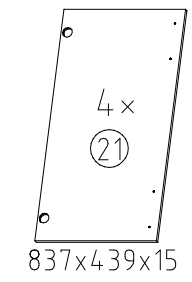
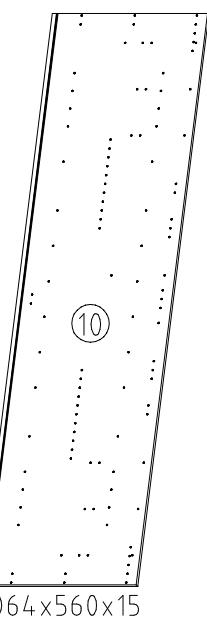
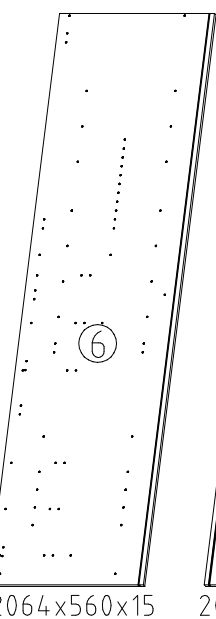
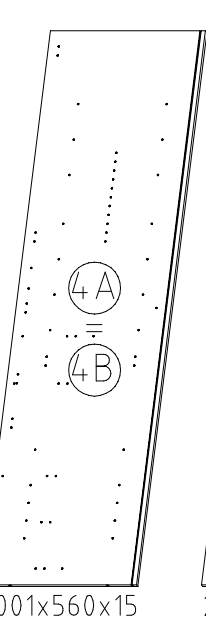
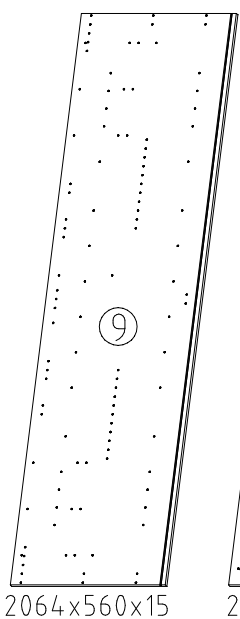
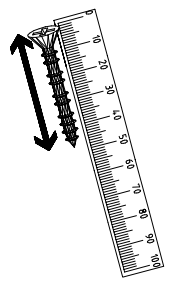
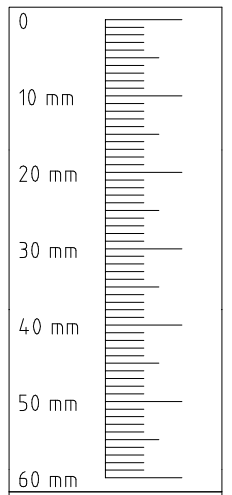
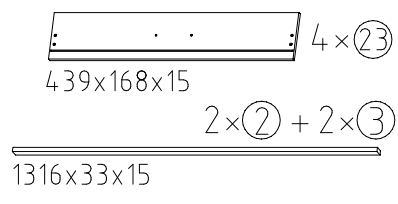
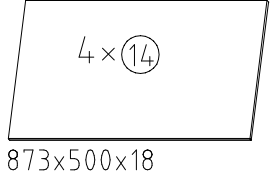
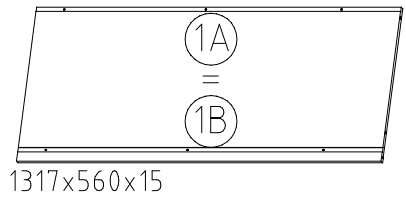
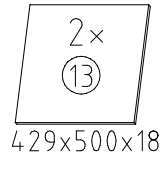
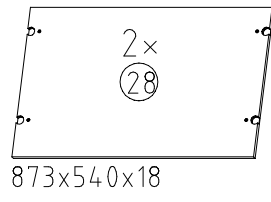
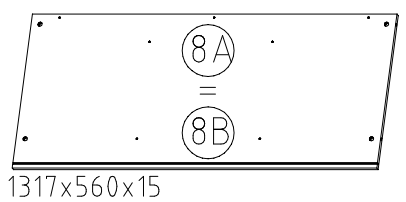
 112 268	M	22x
 112 267	N	22x
 111 229 3,5 x 15 mm	F	8x
 121 370	G1	12x

 112 190 M6 x 10	Y20	8x
 112 616 M4 x 9 mm	T3	16x
 111 015	G8	8x
 4 X 15mm	SP15	1x
 121 120		

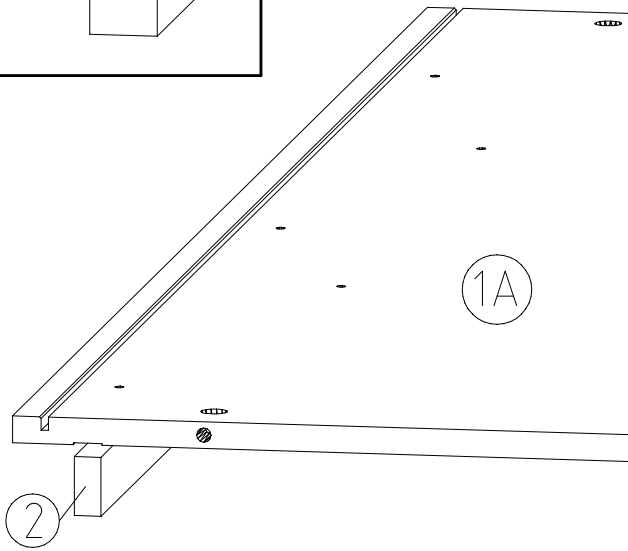
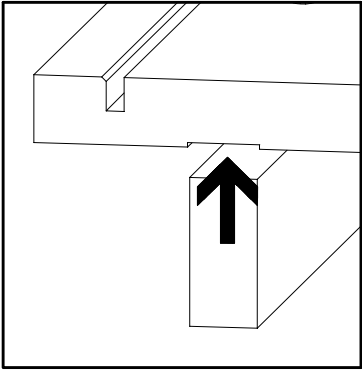
 111 174 M6 x 11 mm	J1	10x
 121 181	T6	8x
 117 001	K1	4x
 111 610	L7	24x

 111 235	E	4x
 4 X 13mm	F3	2x
 121 122	SP13	2x
 111 052	o10	1x

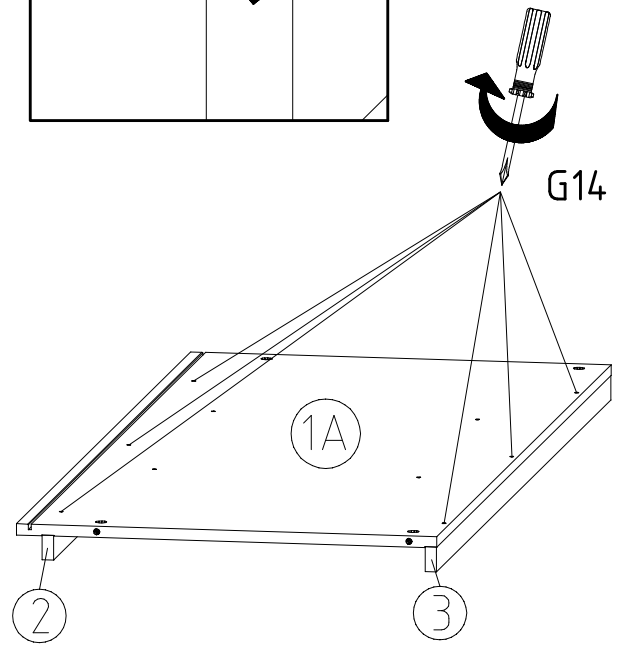
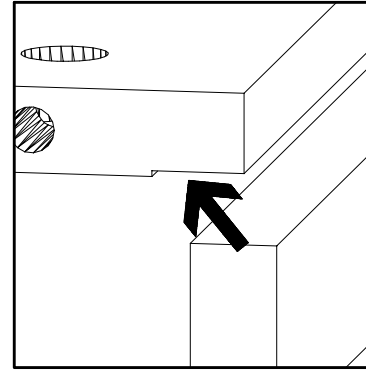
 111 252	VB23	8x
 163 007	Z	3x
	SBV	8x



1



2



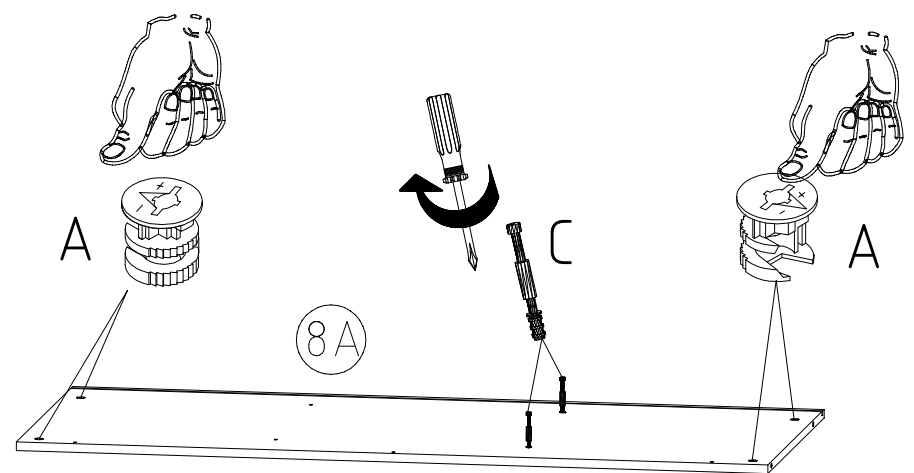
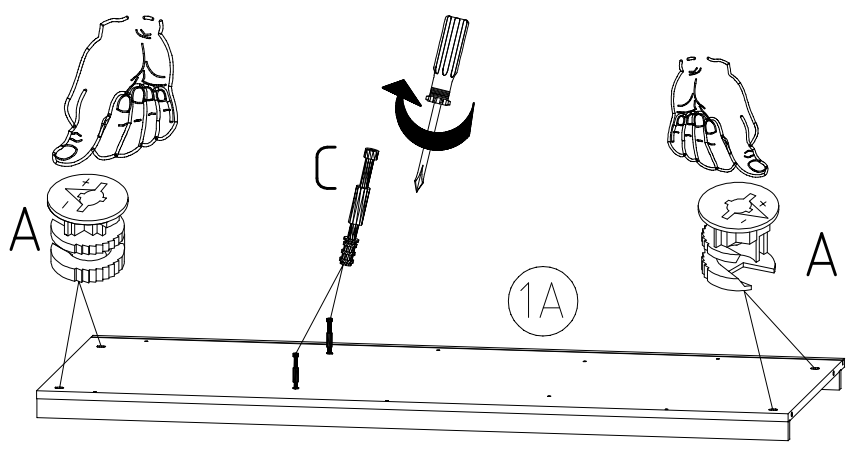
3,5 x 35 mm **G14**

121 375

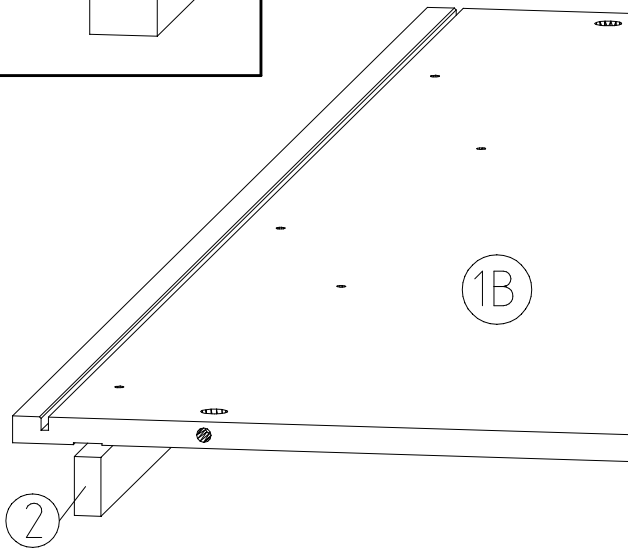
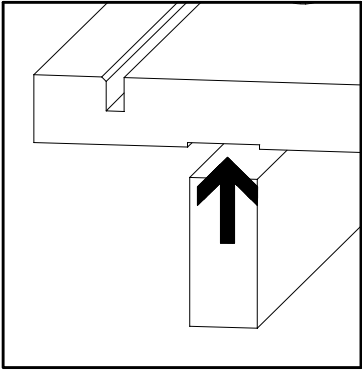
3

111 102

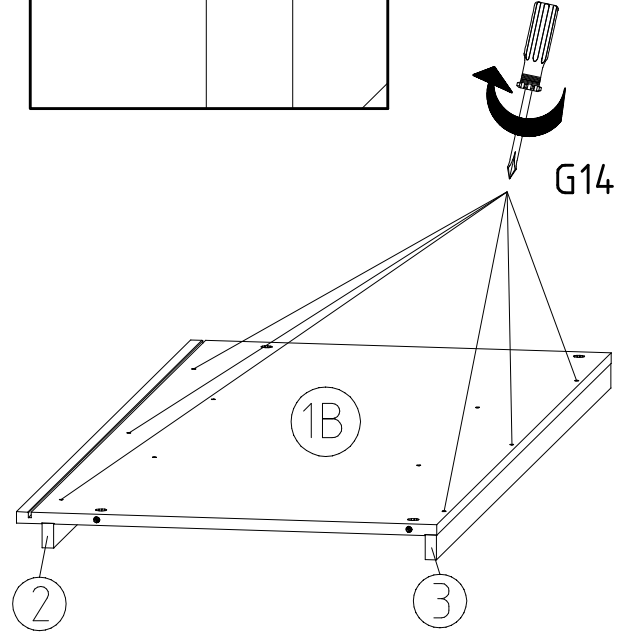
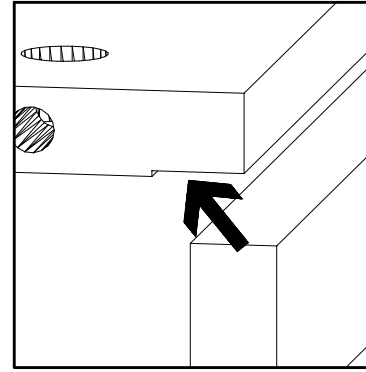
111 103



4



5



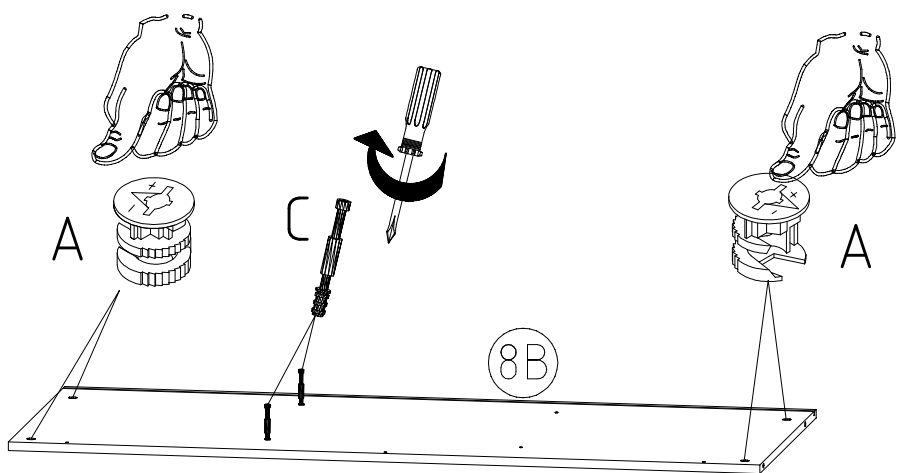
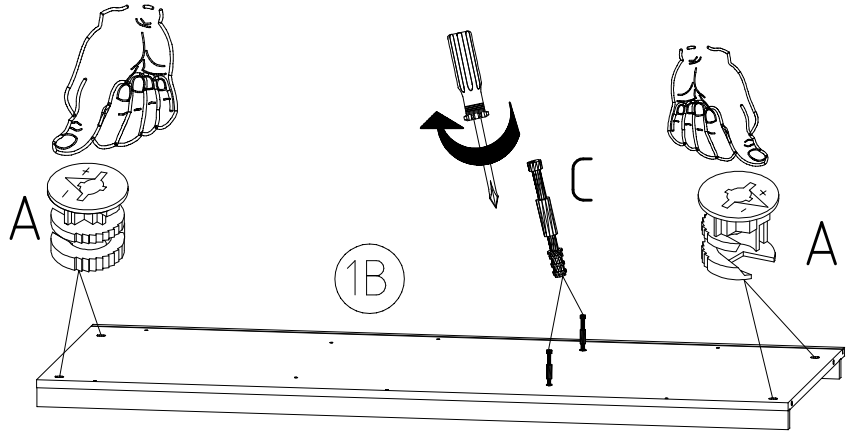
3,5 x 35 mm **G14**

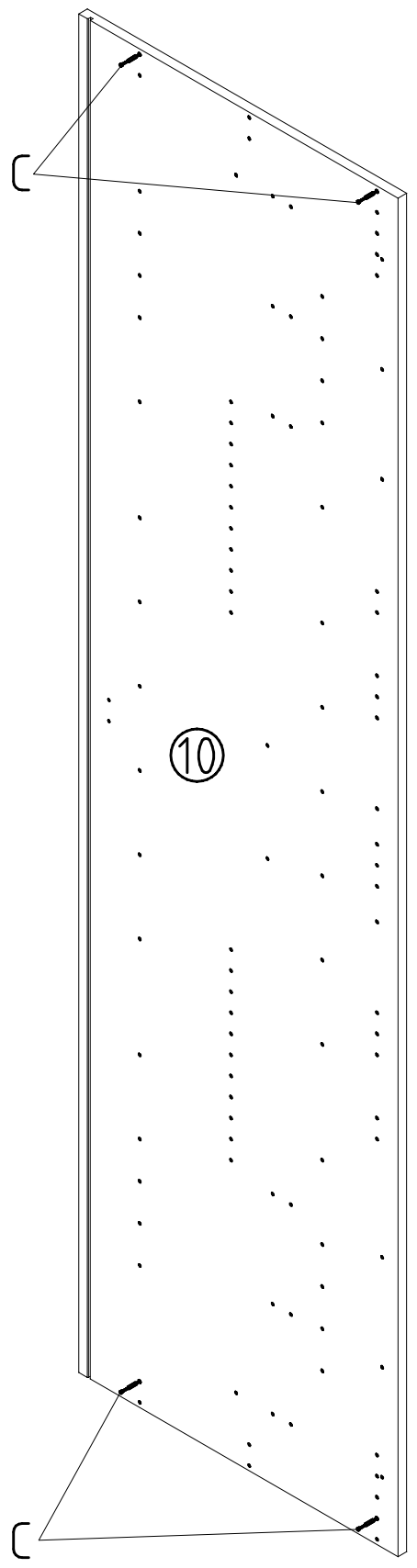
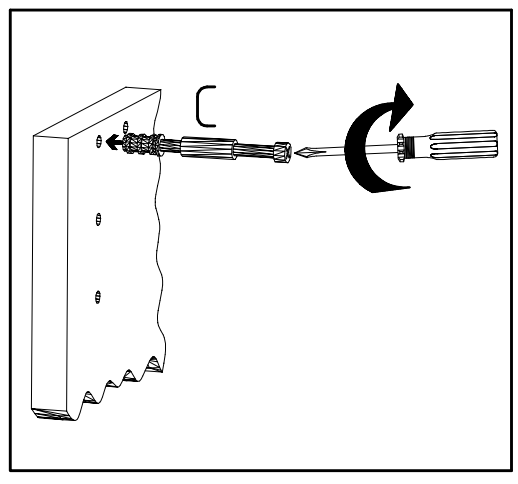
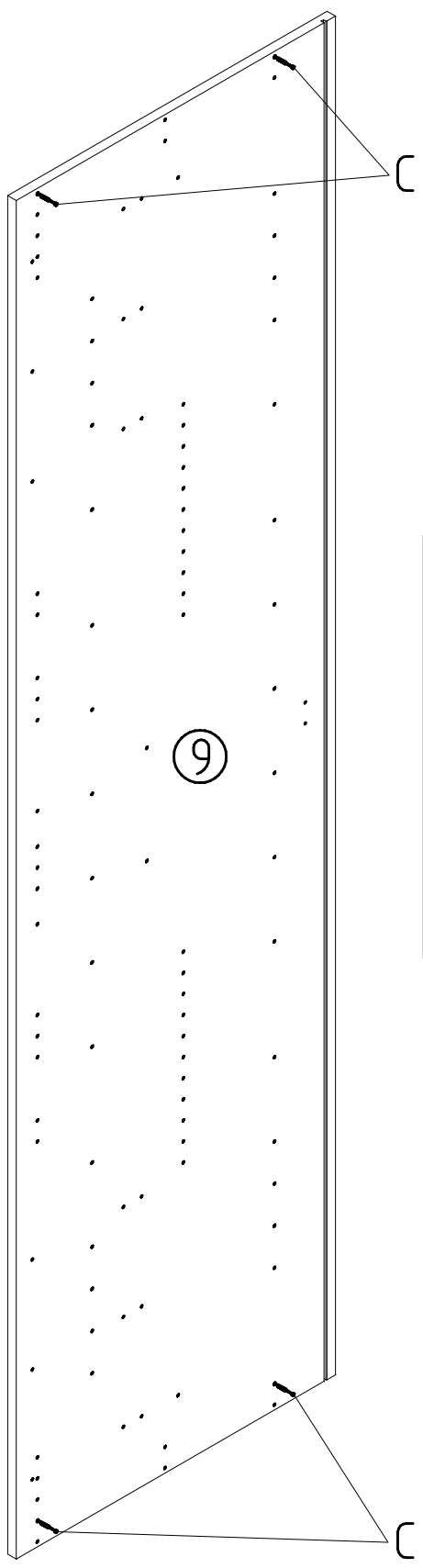
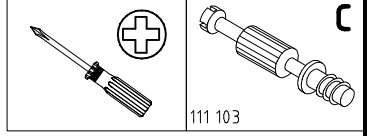
121 375

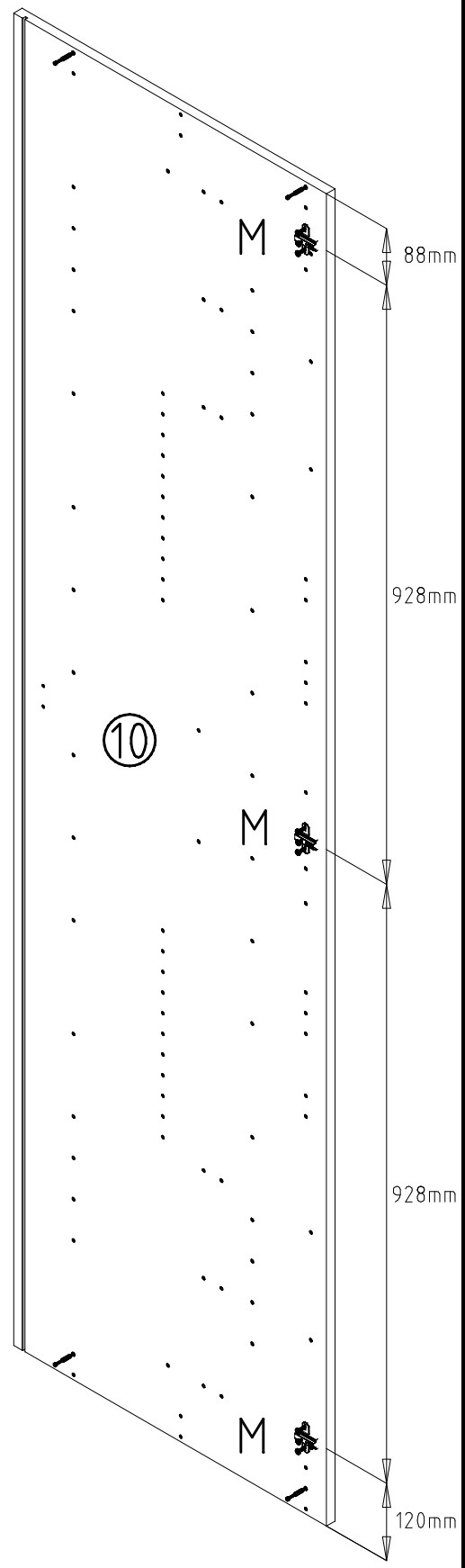
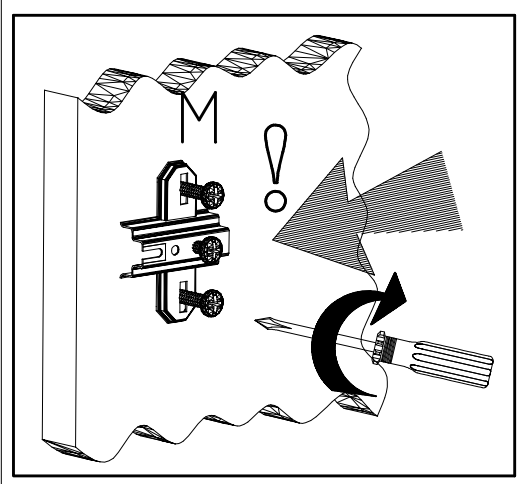
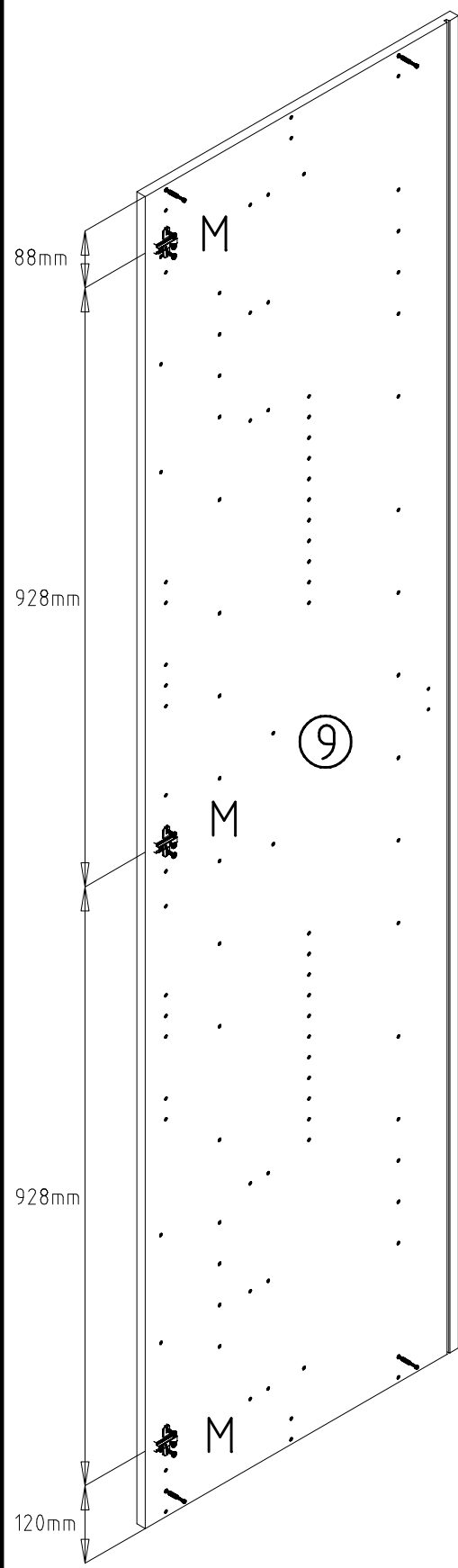
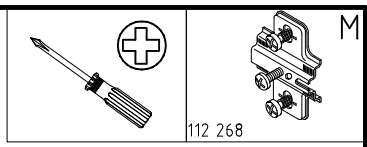
6

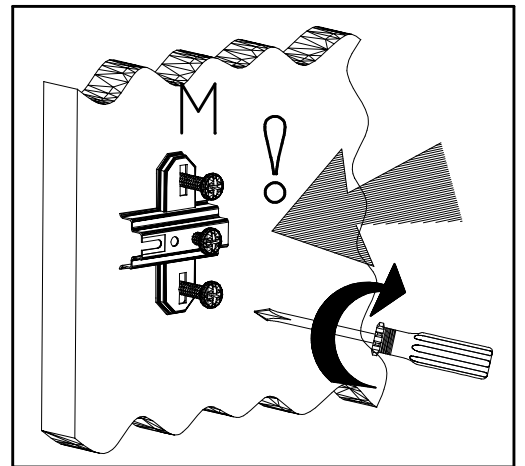
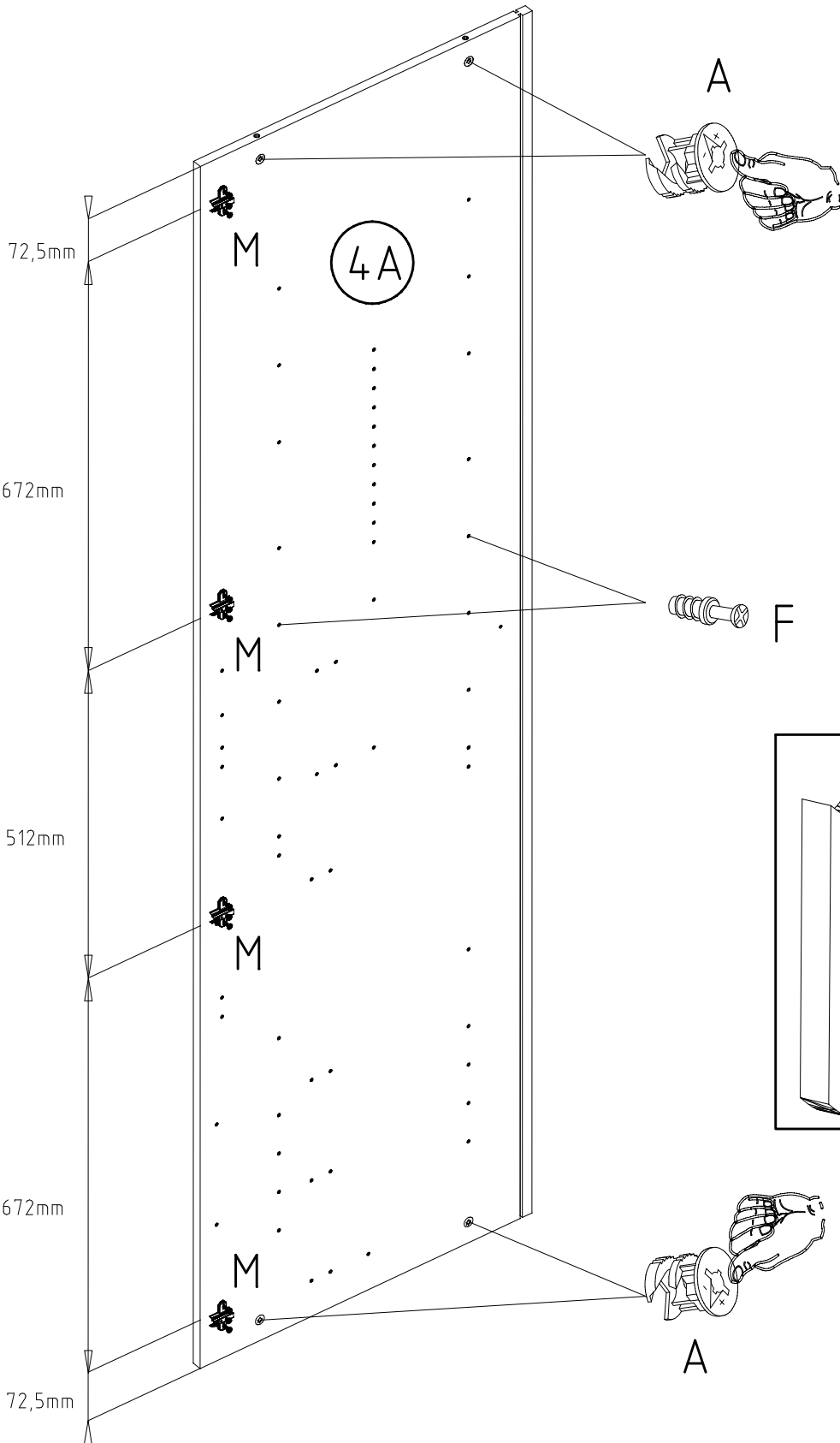
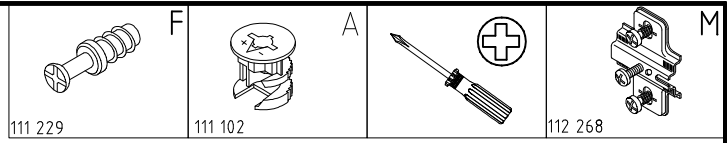
111 102

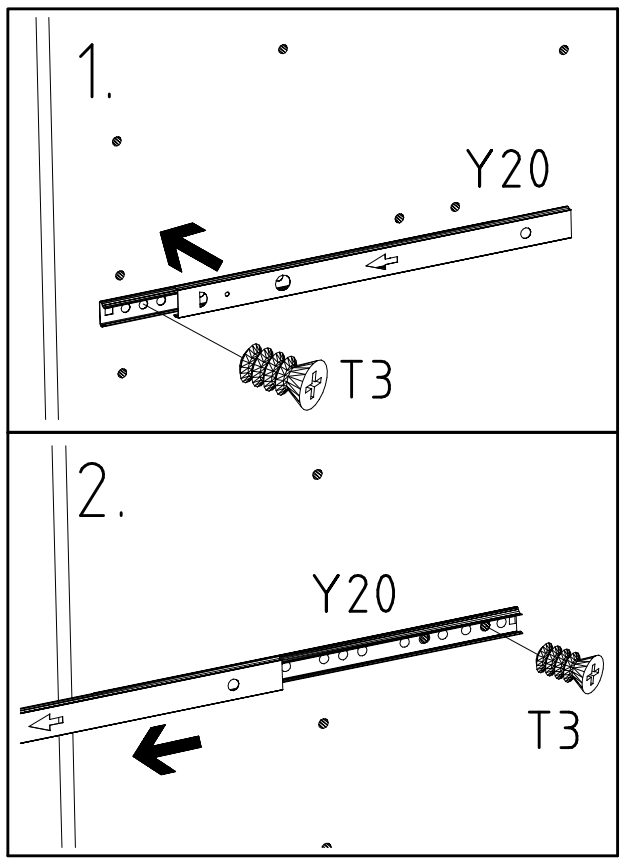
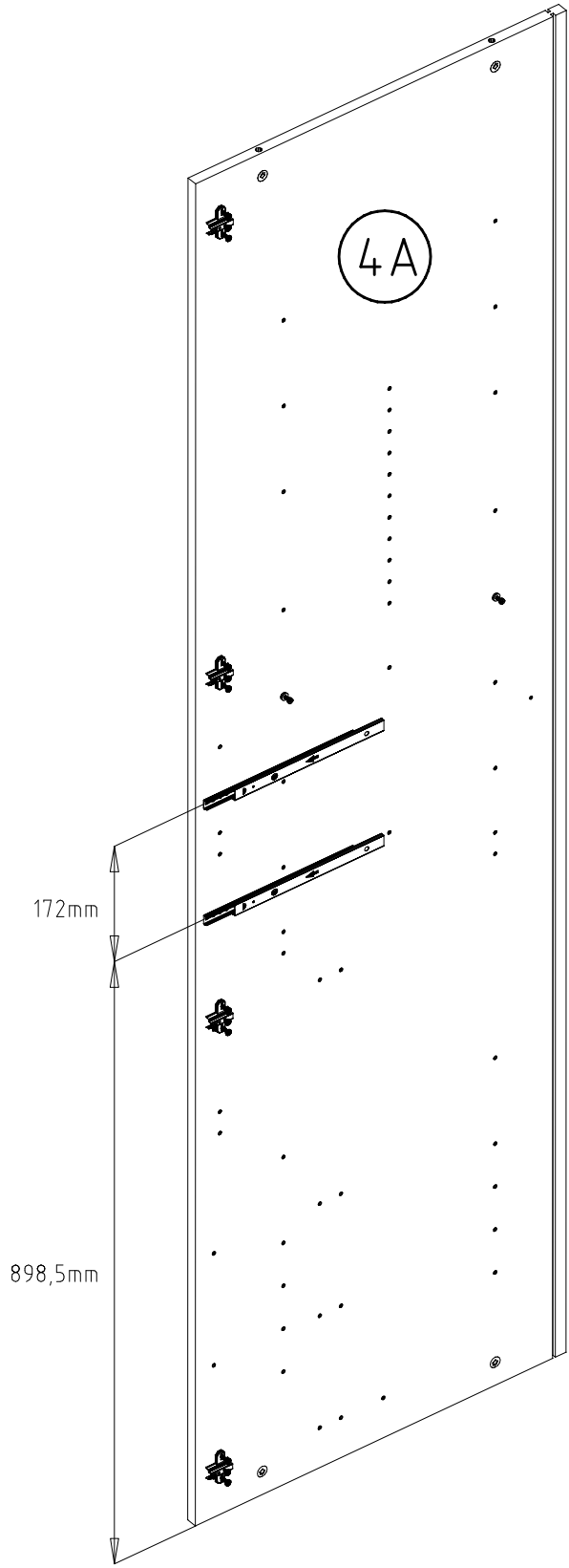
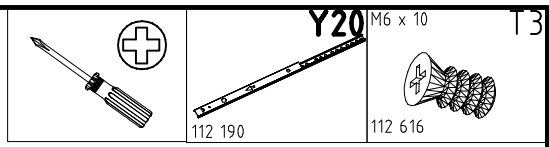
111 103

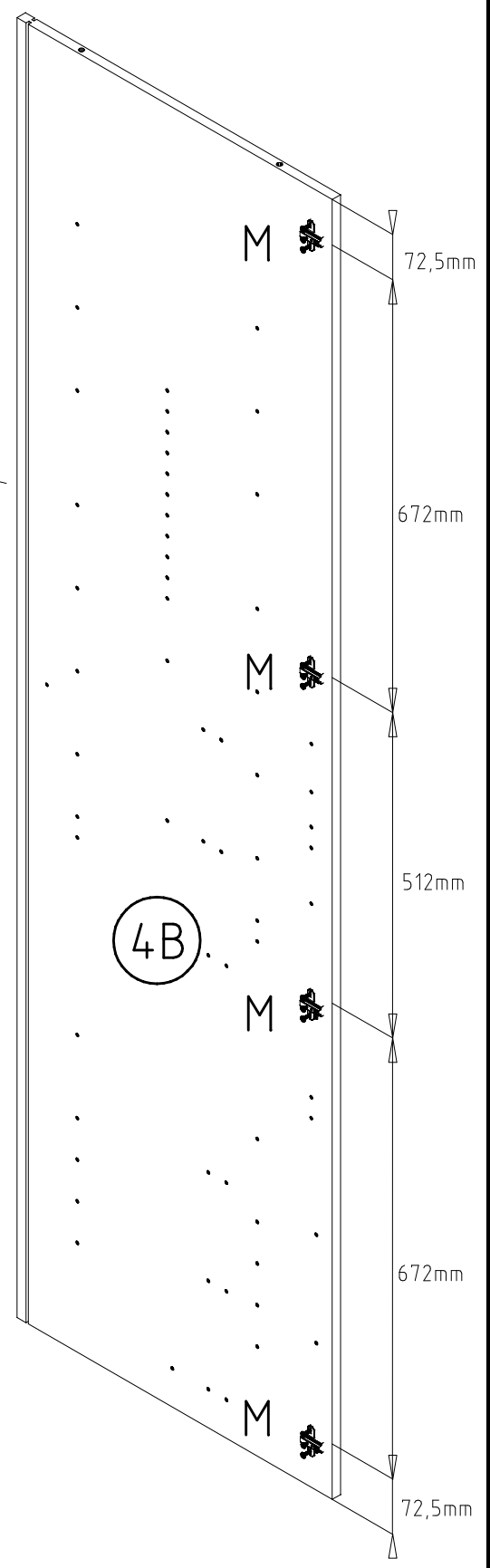
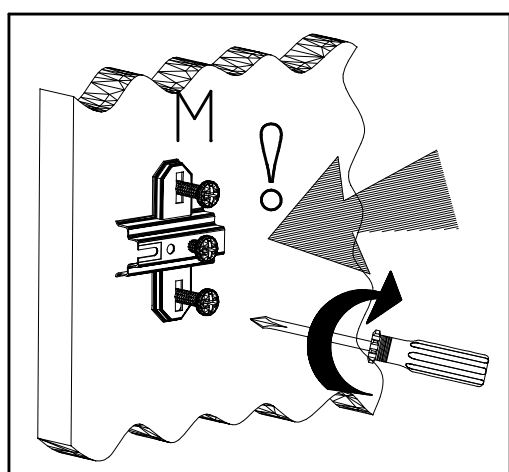
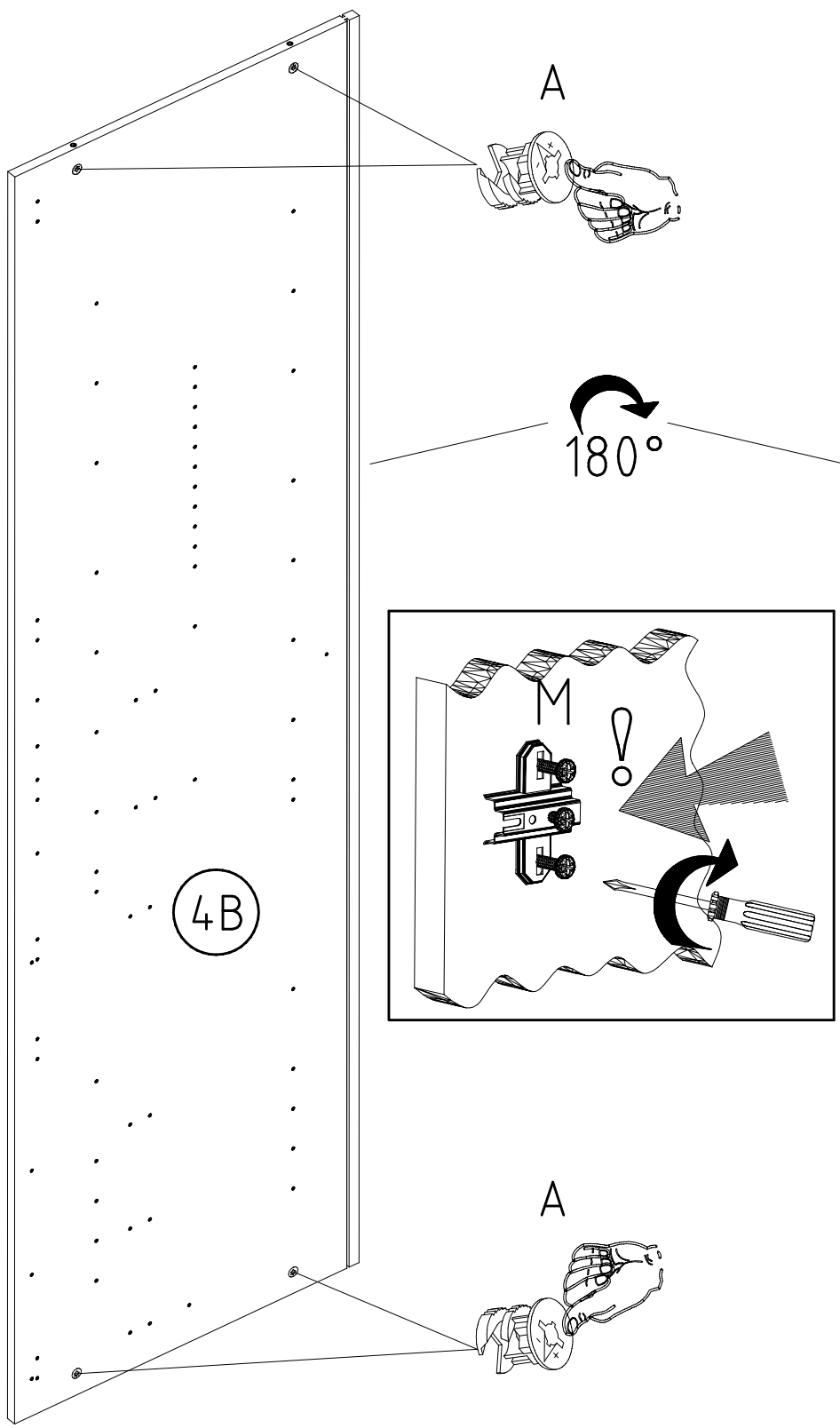
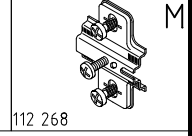
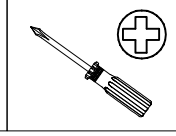
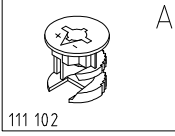


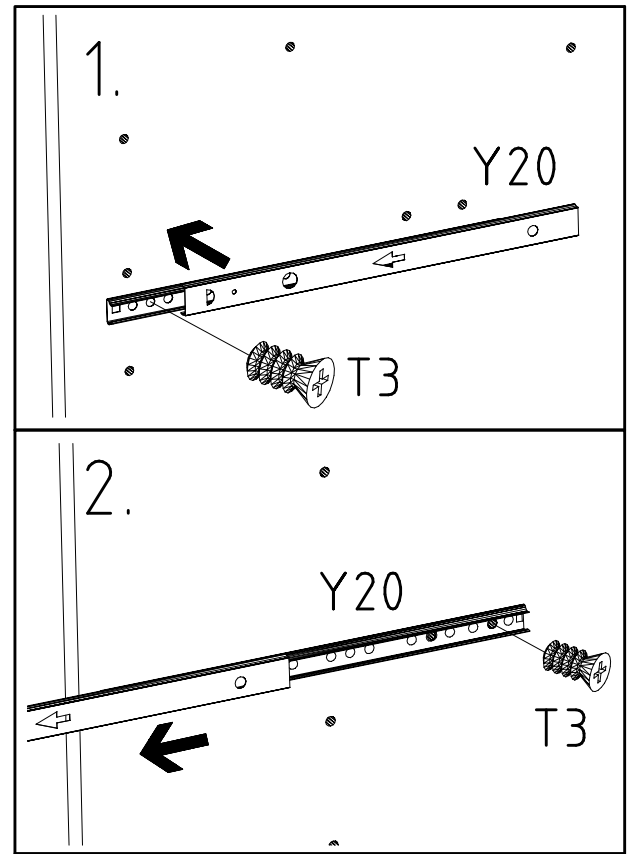
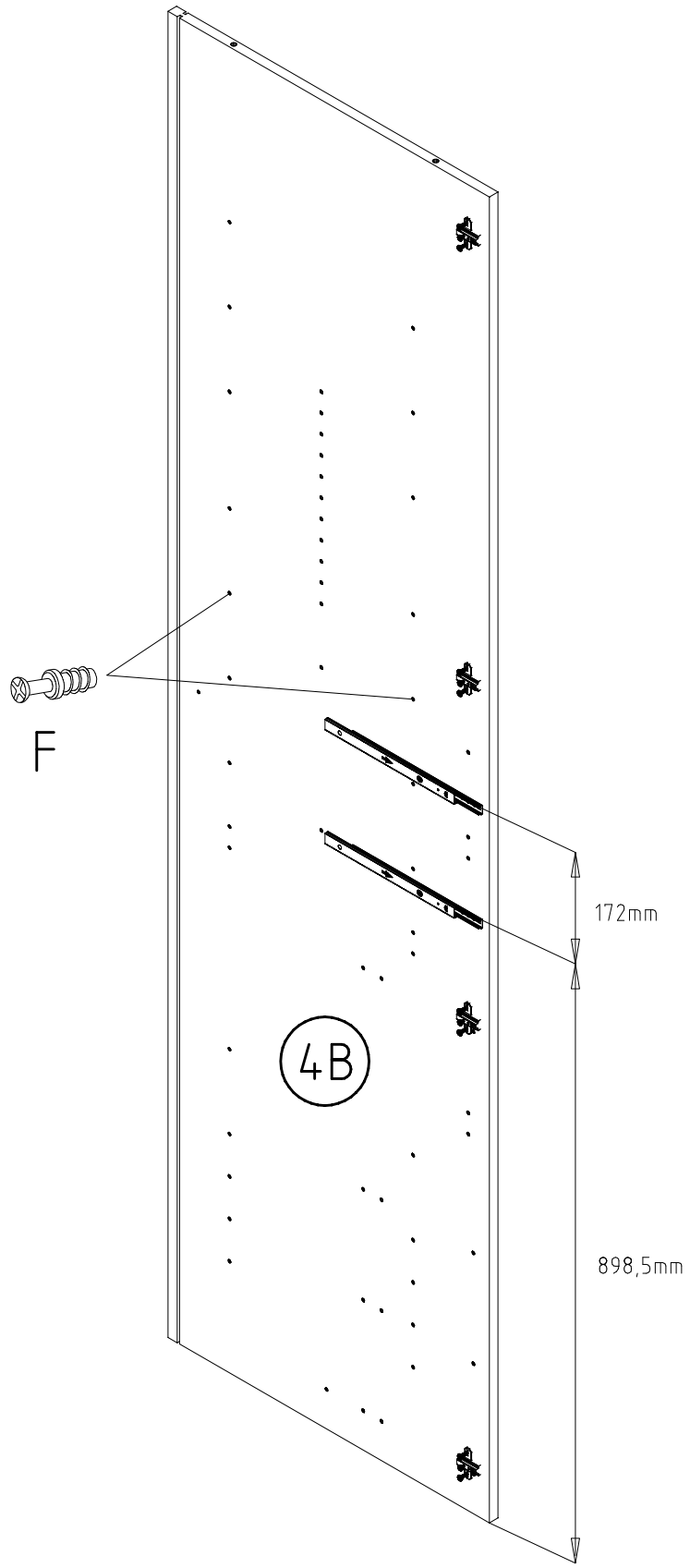
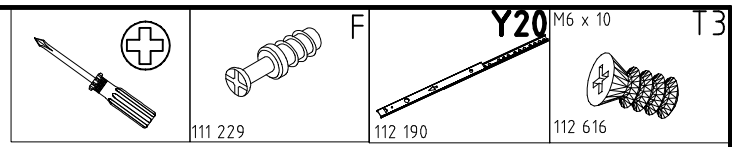


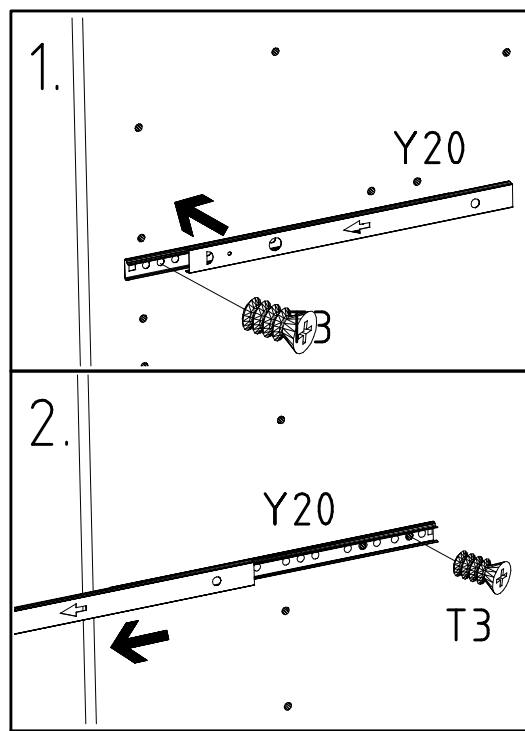
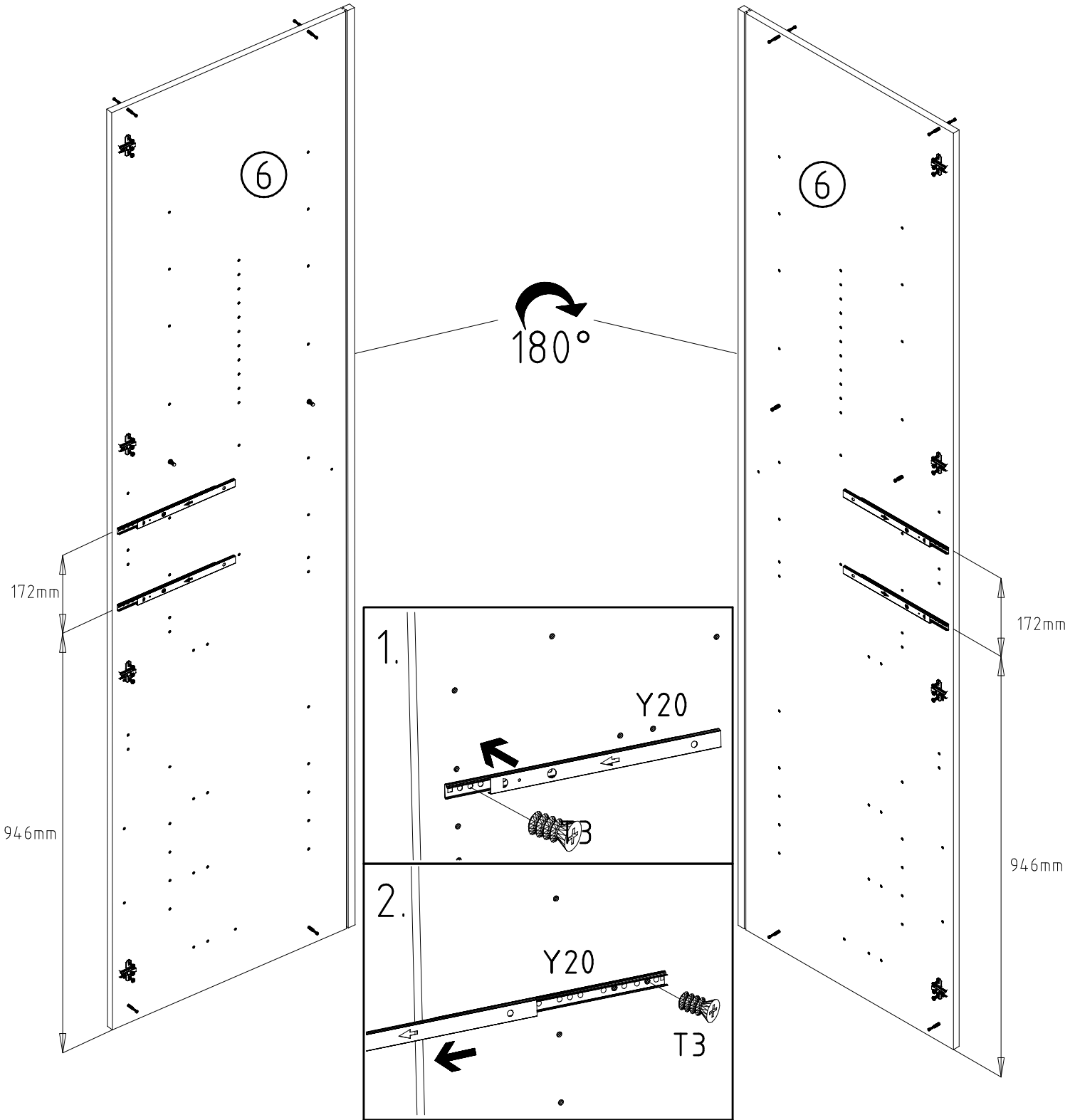




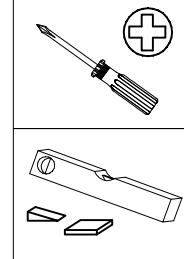
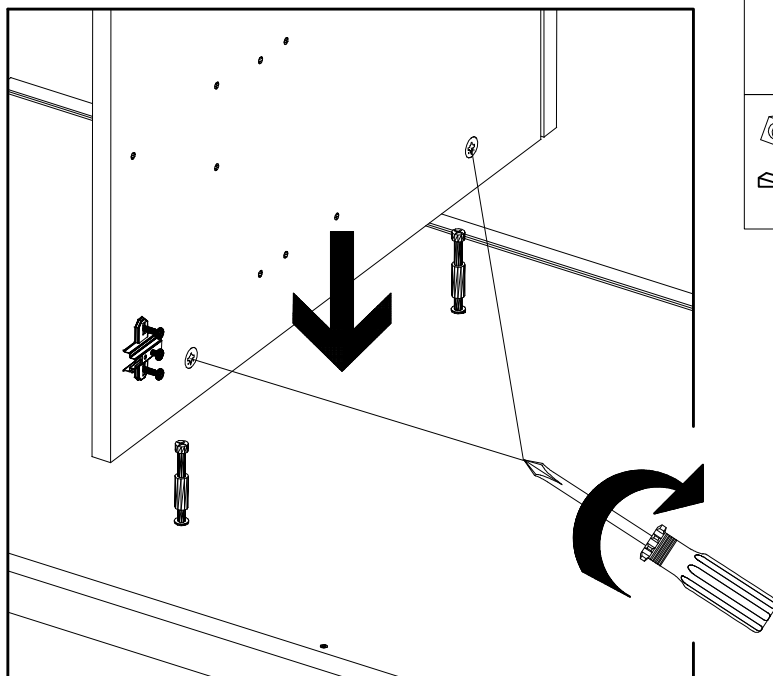
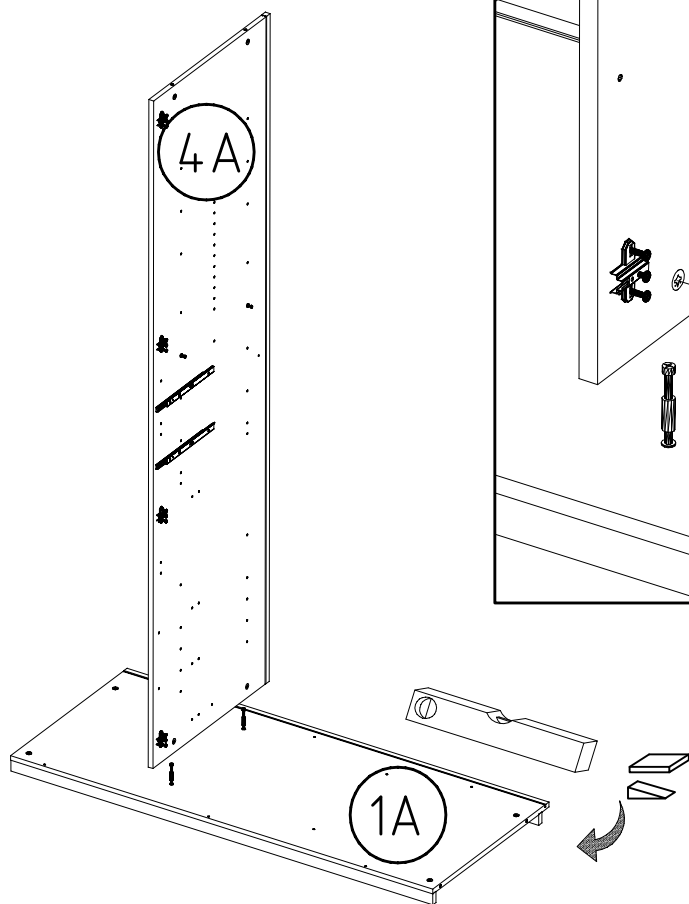




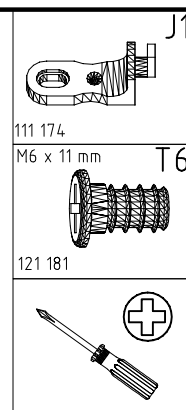
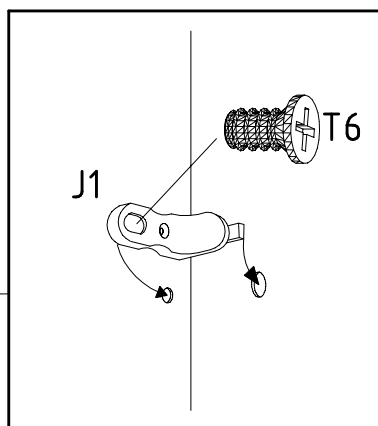
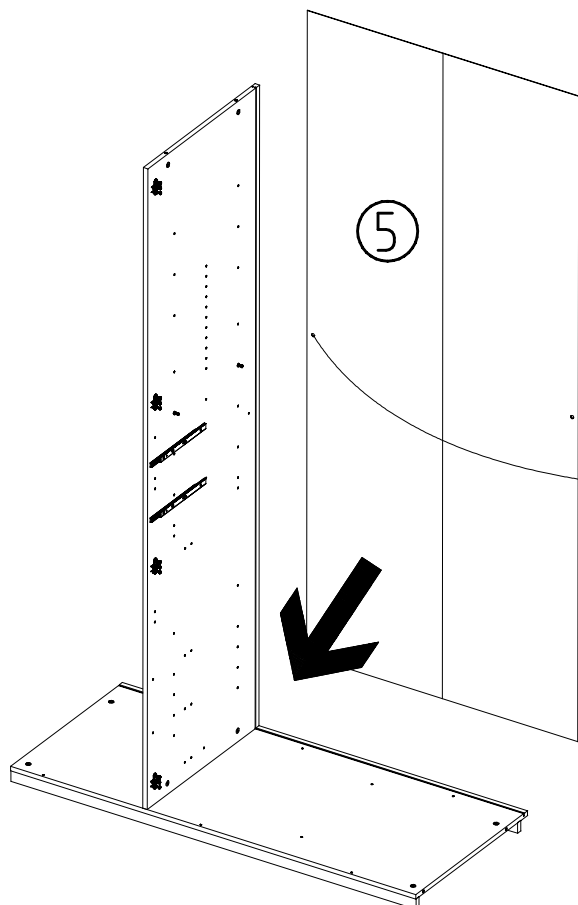




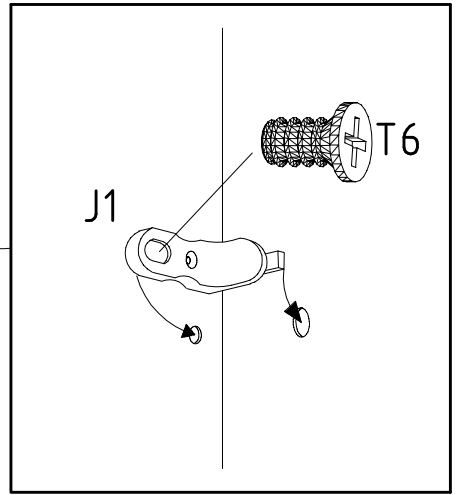
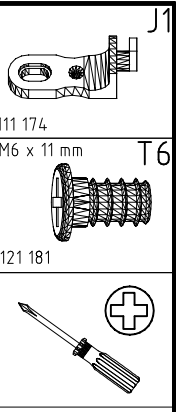
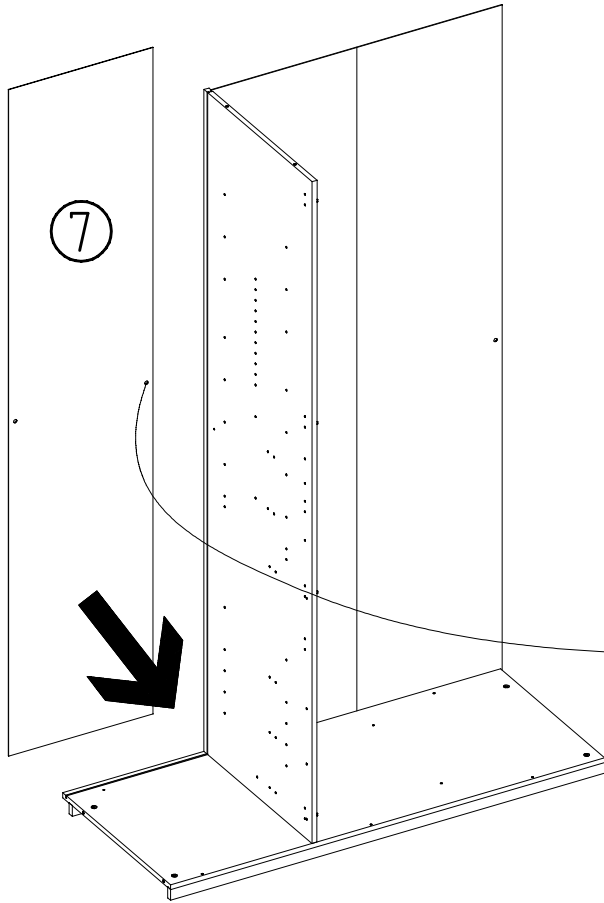
15



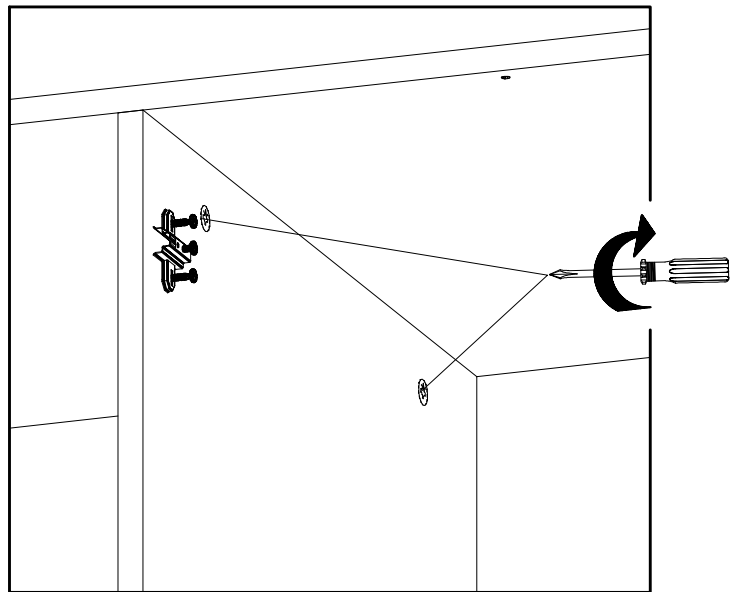
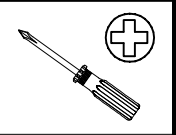
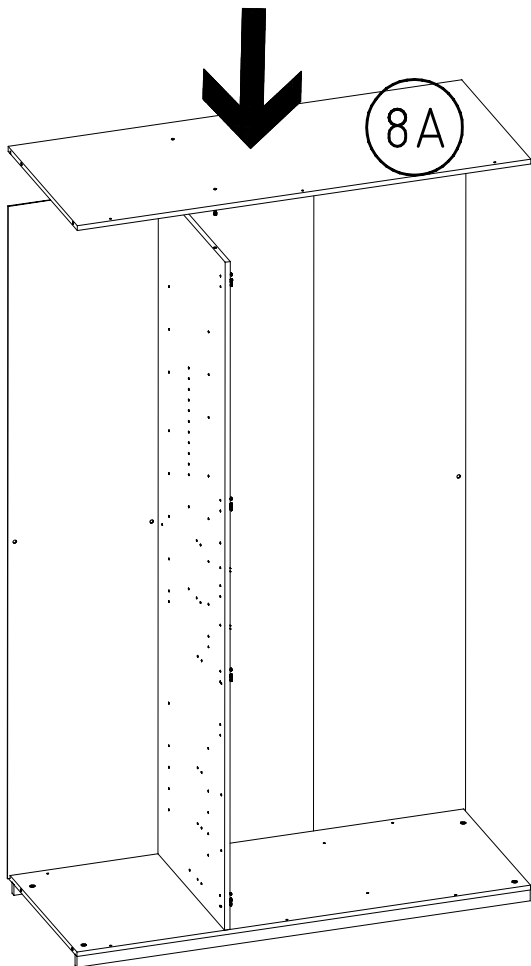
16



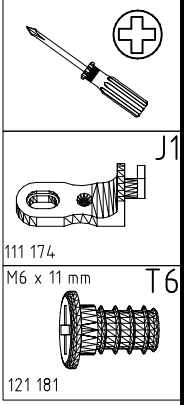
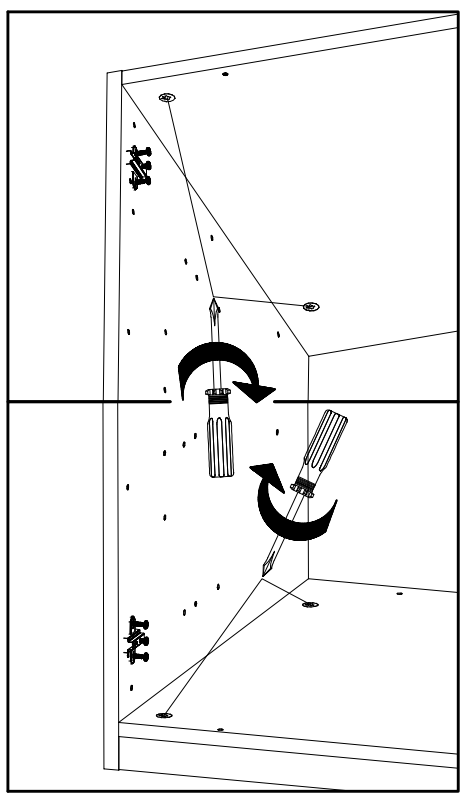
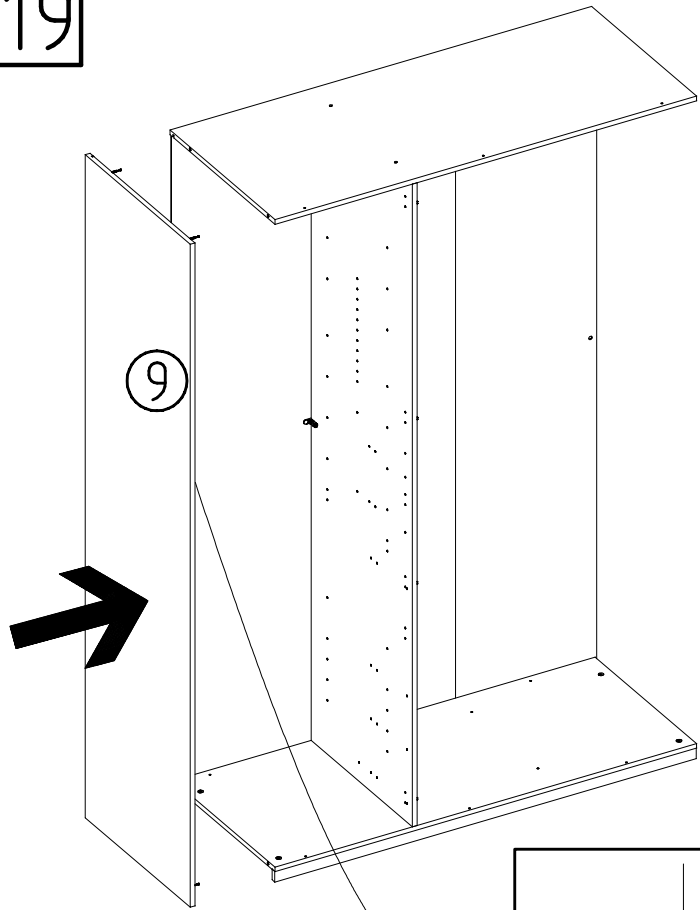
17



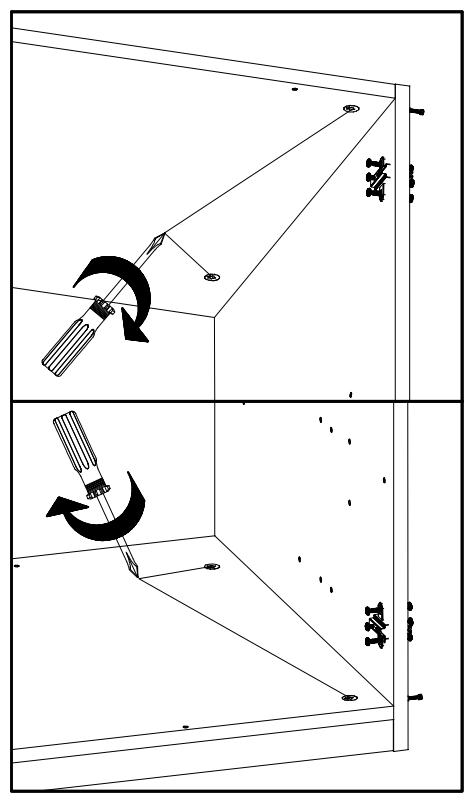
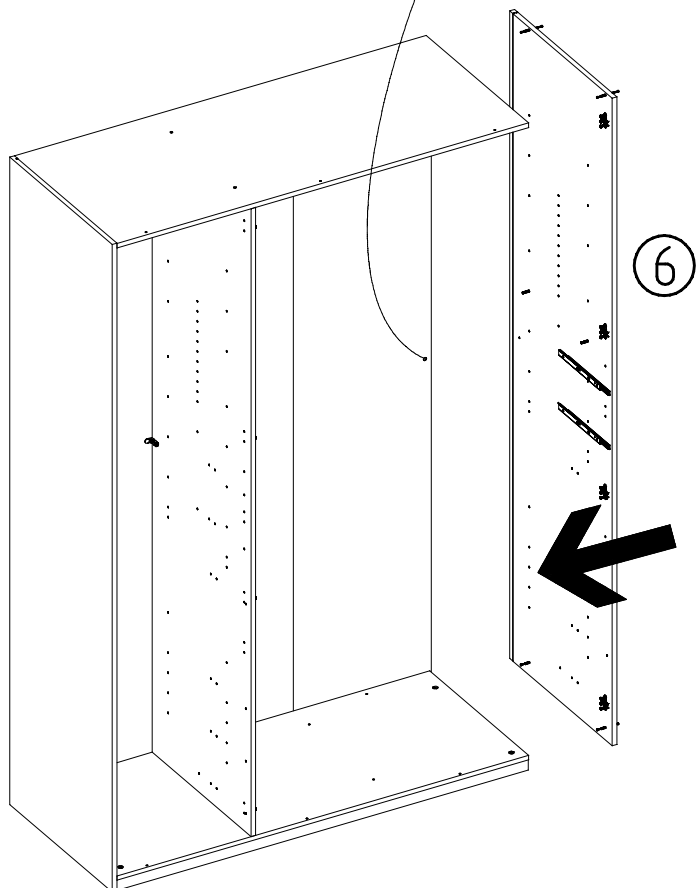
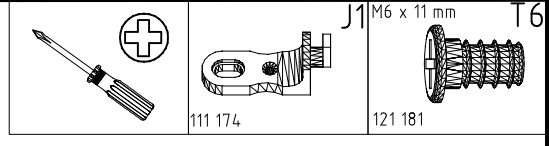
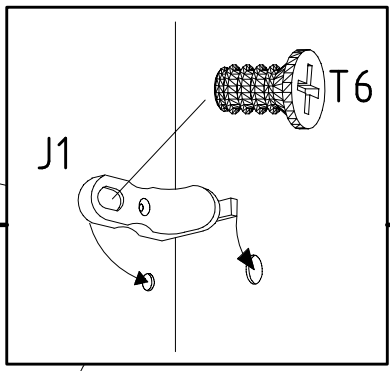
18



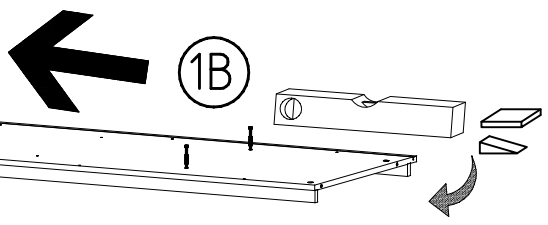
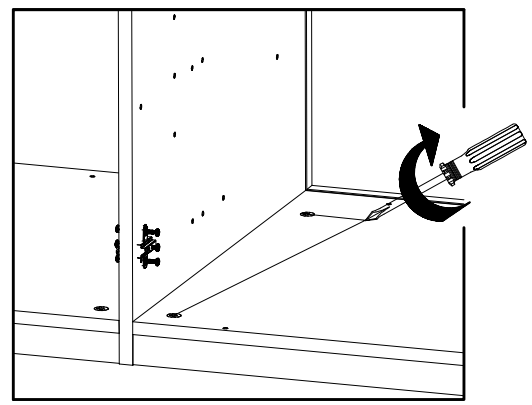
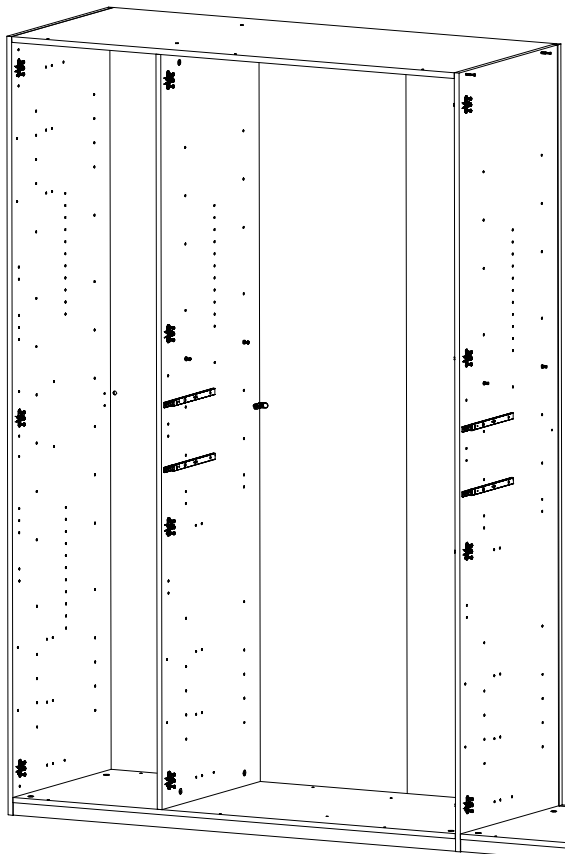
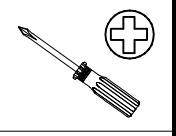
19



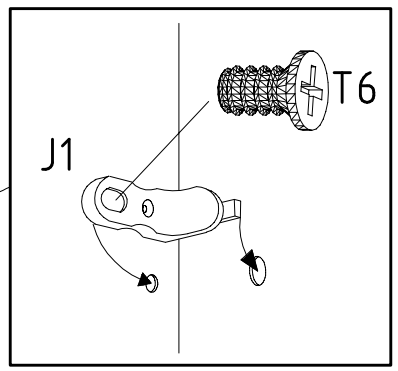
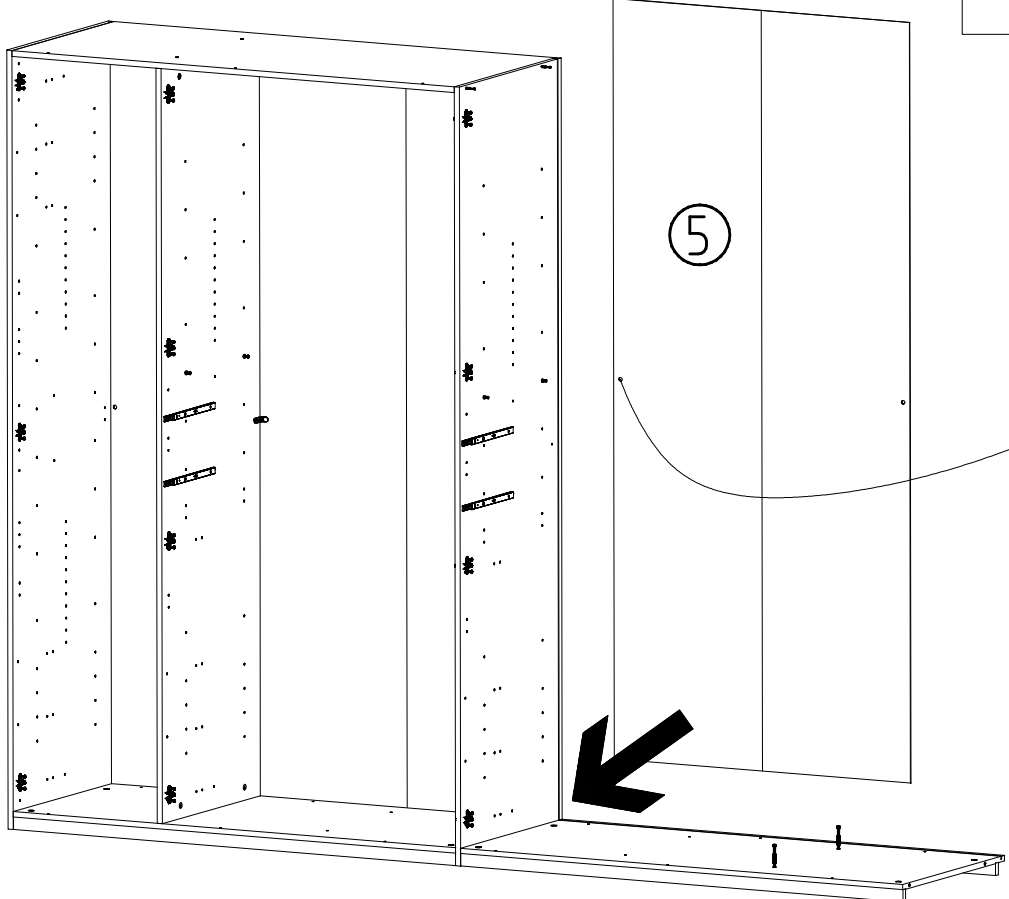
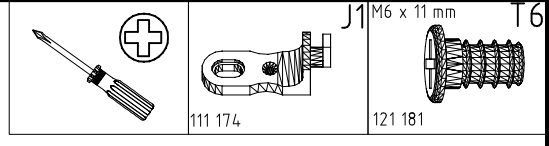
20



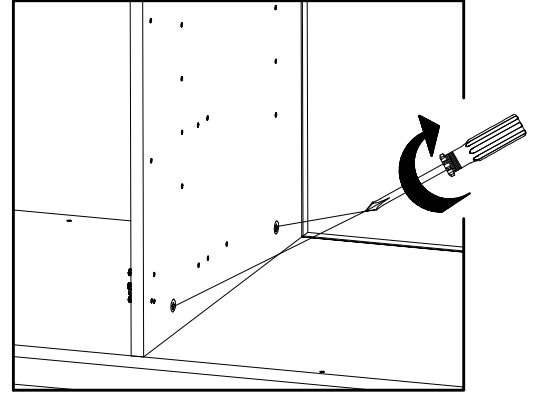
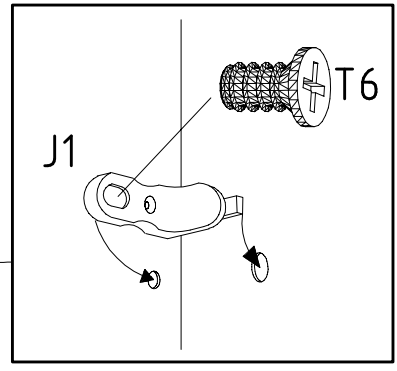
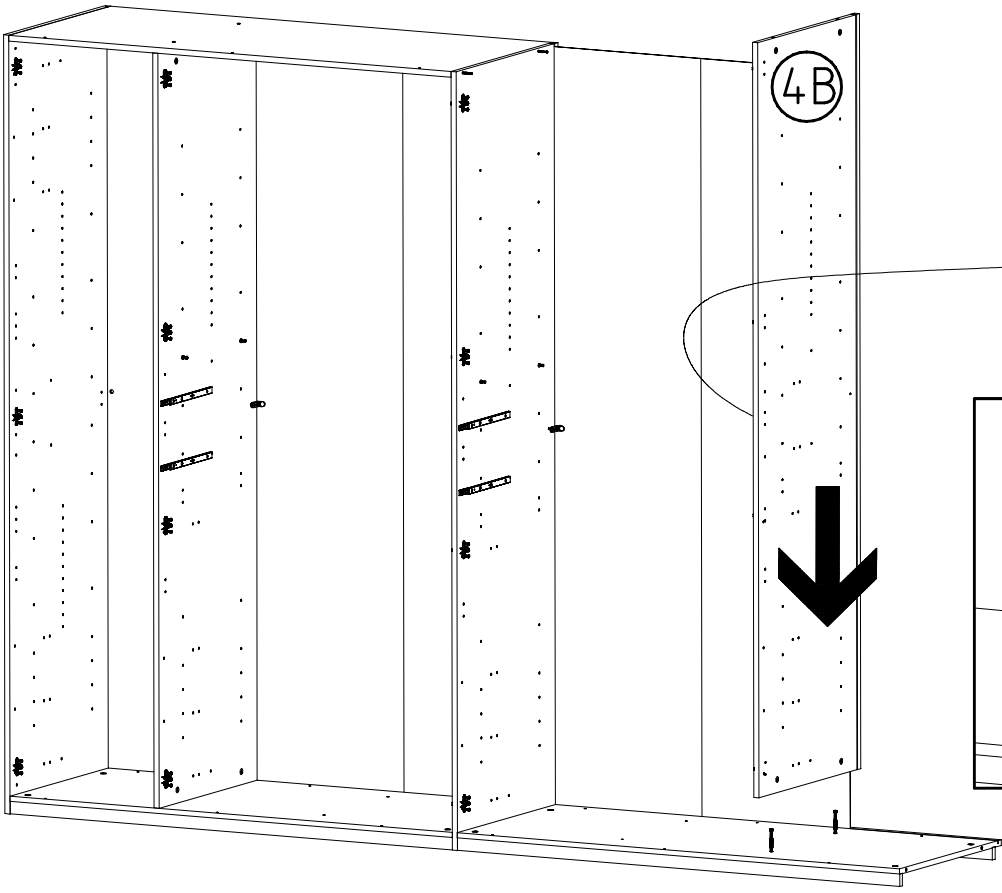
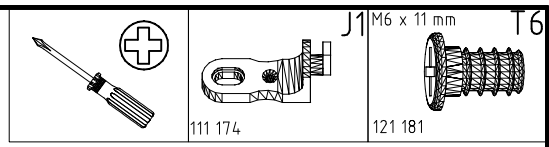
21



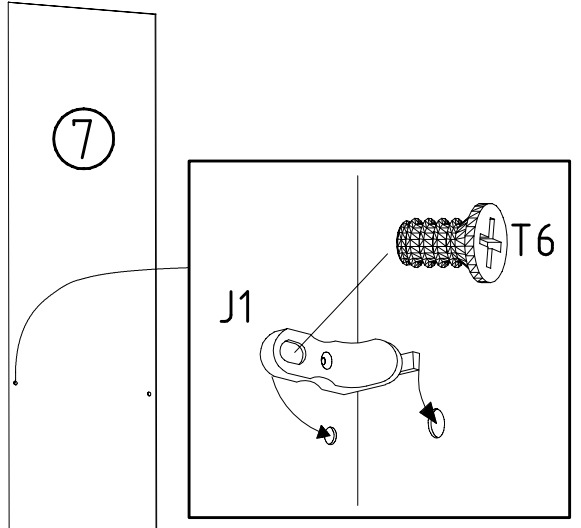
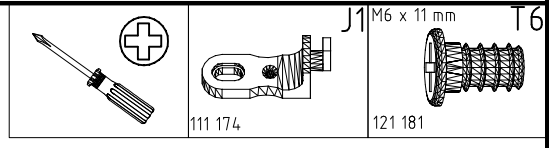
22



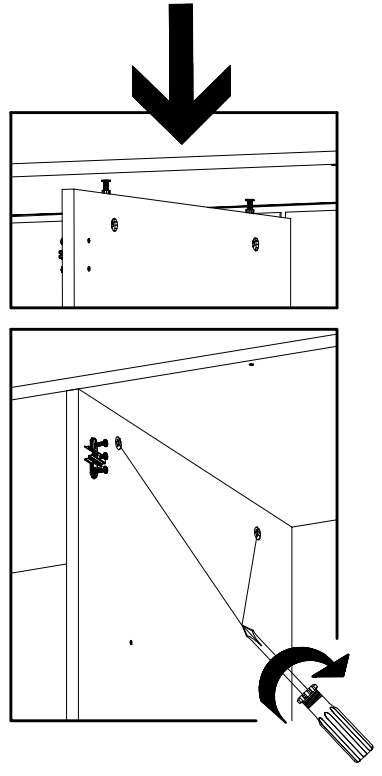
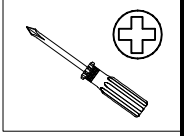
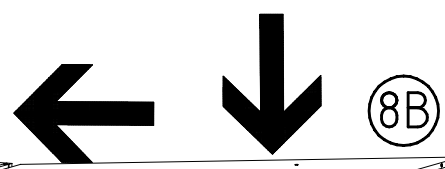
23



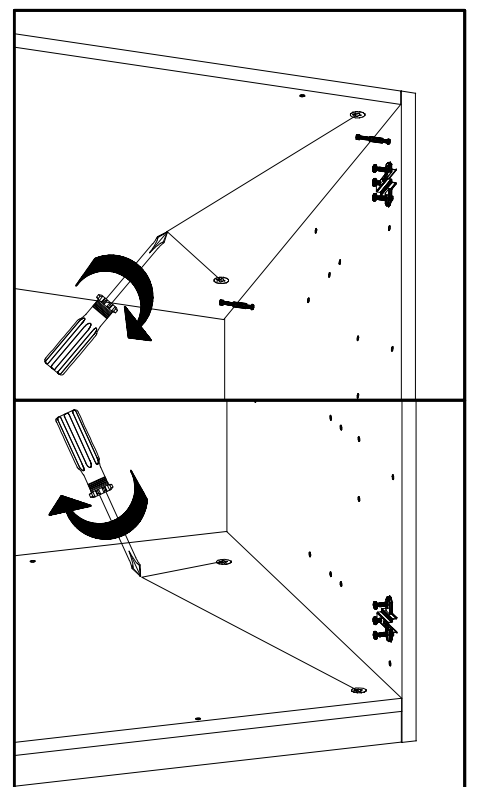
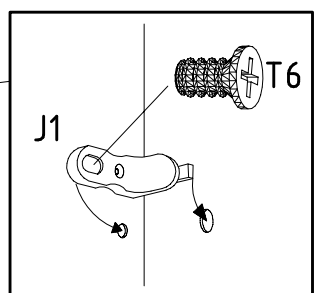
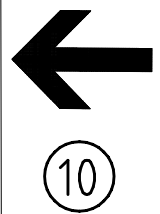
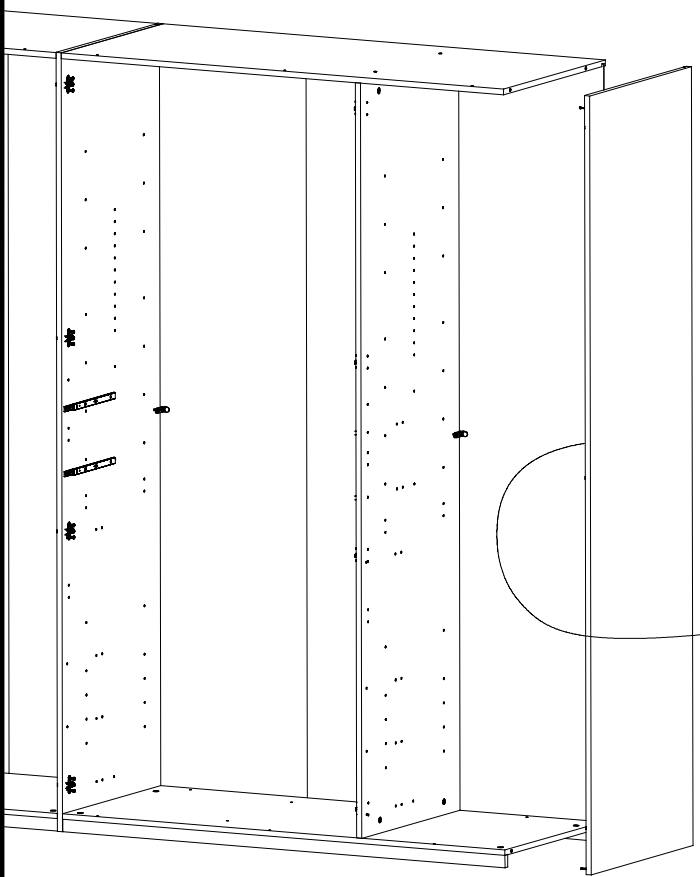
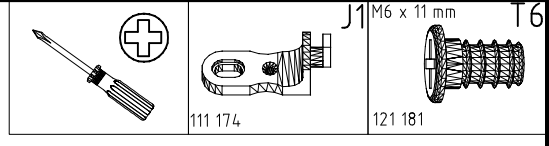
24


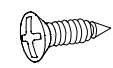
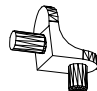
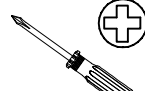


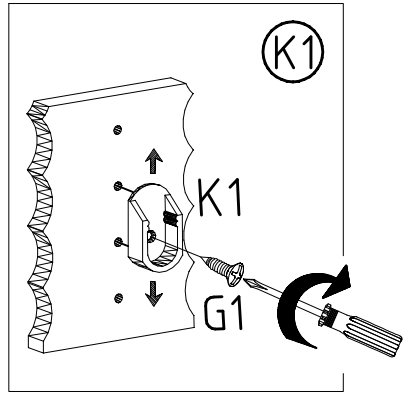
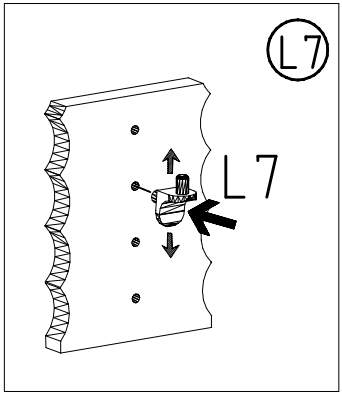
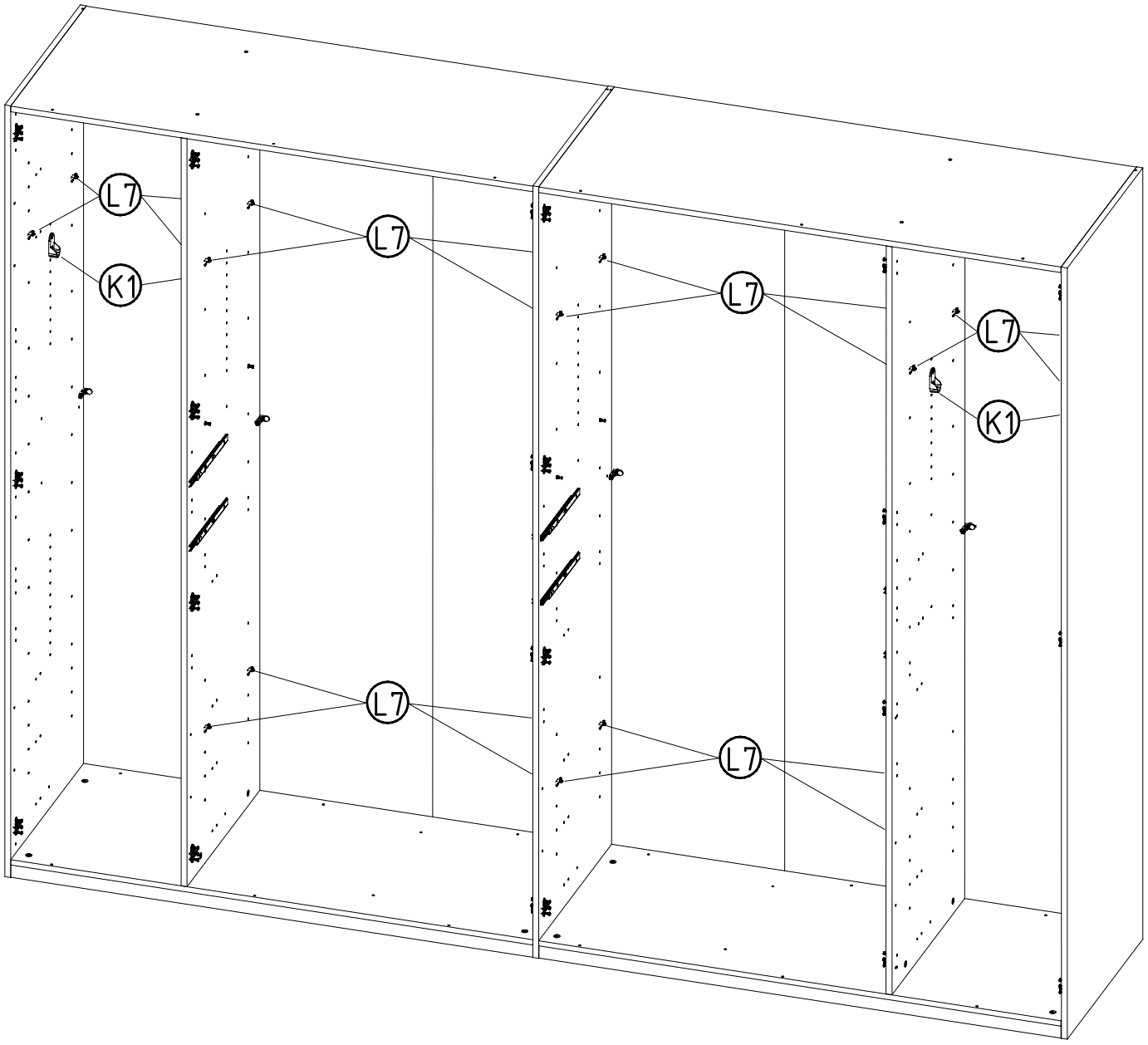
25



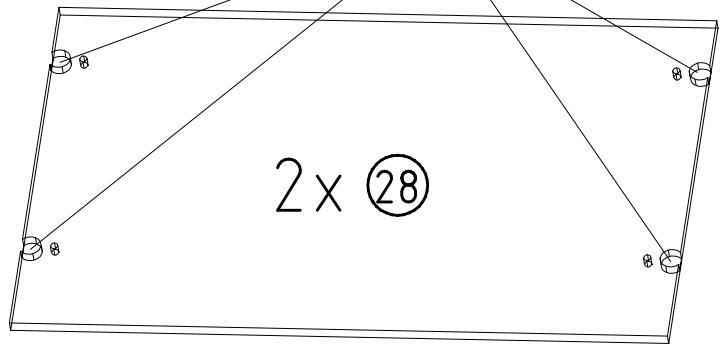
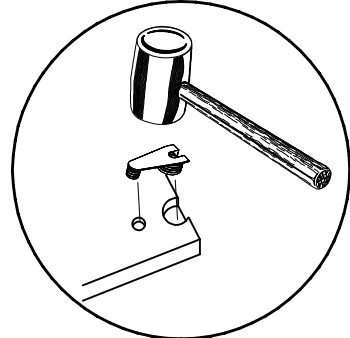
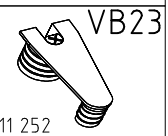
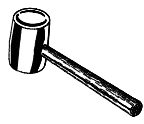
26



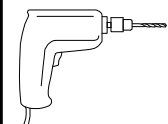
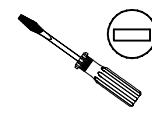
 K1 117 001	 3,5 x 15 mm G1 121 370	 L7 111 610	
---	--	---	--



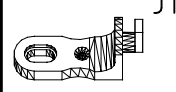
28



29



∅ 10mm



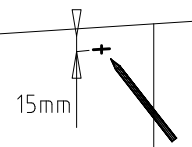
111 174

4 X 13mm SP13

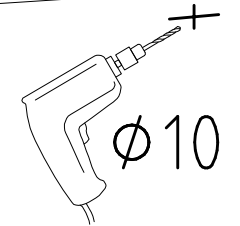


121 122

1.



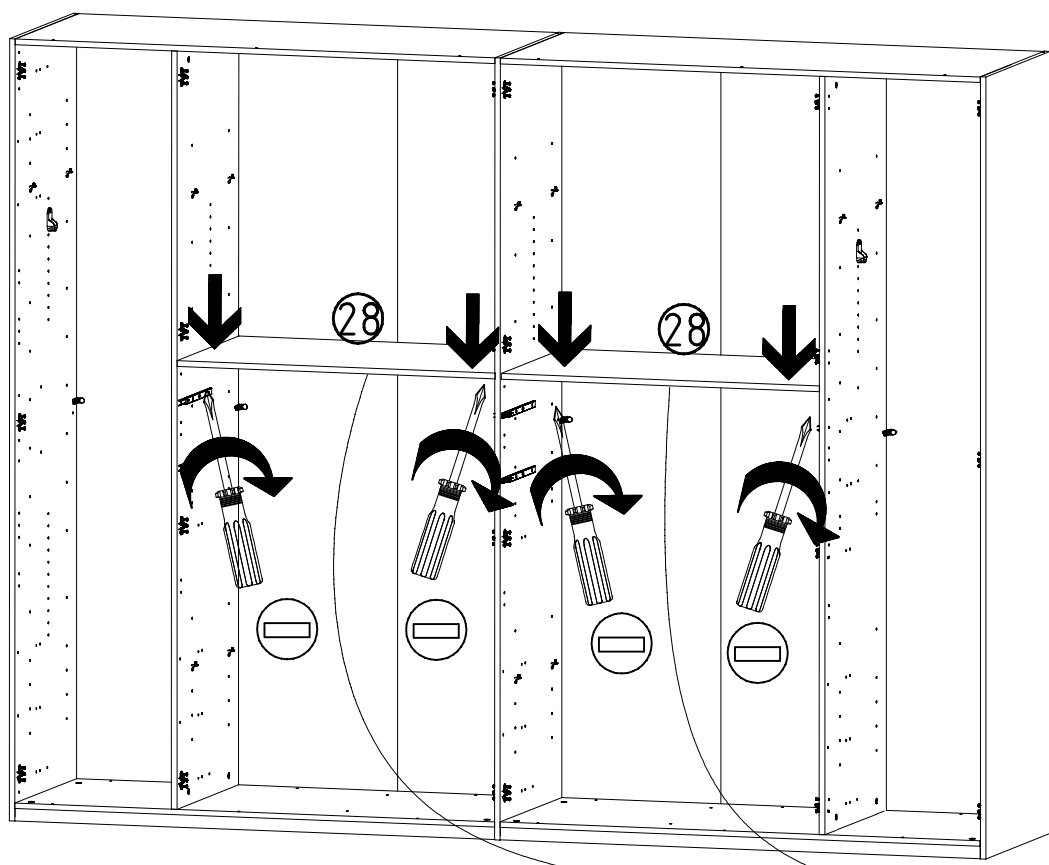
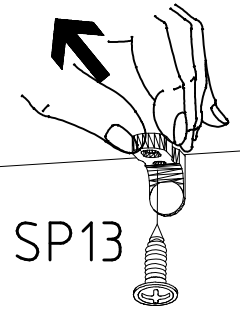
2.



3.



4.



3,5 x 15 mm

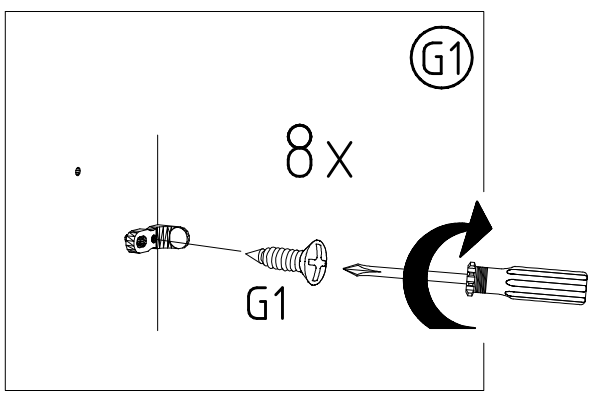
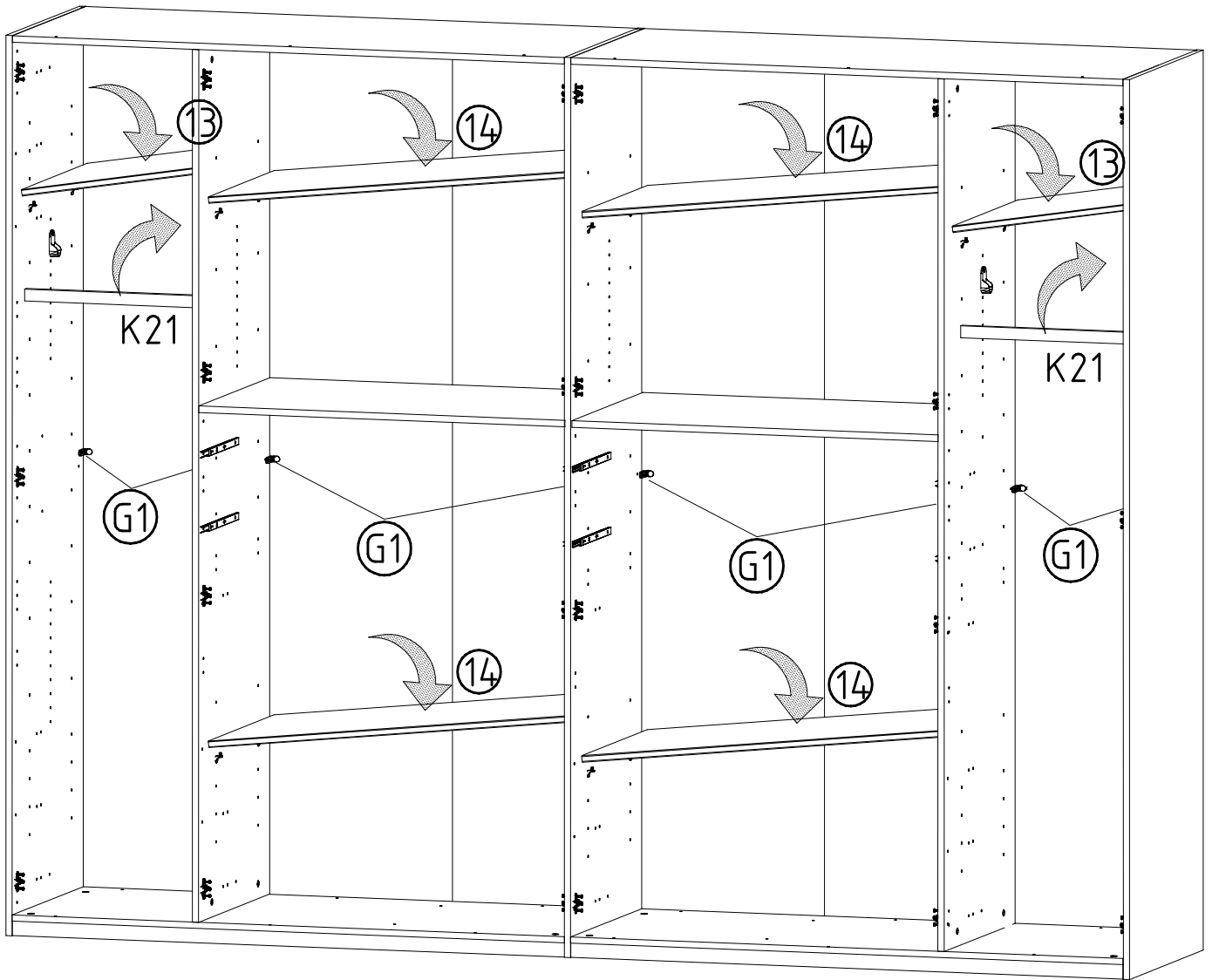
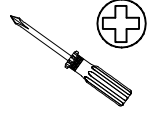
G1

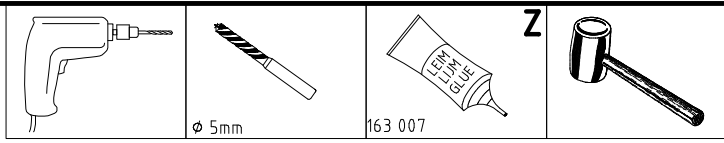
K21



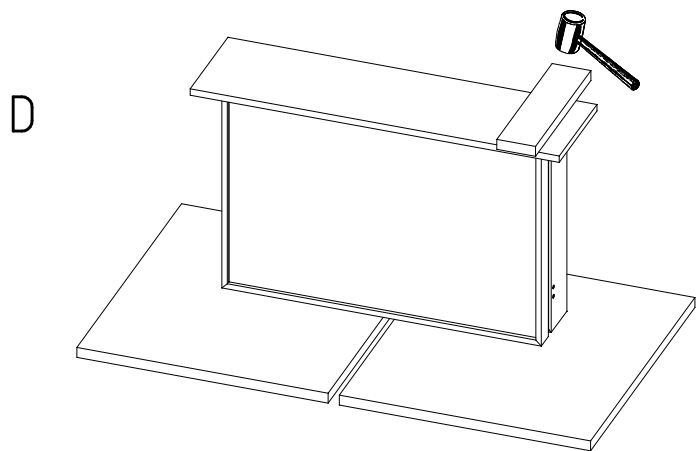
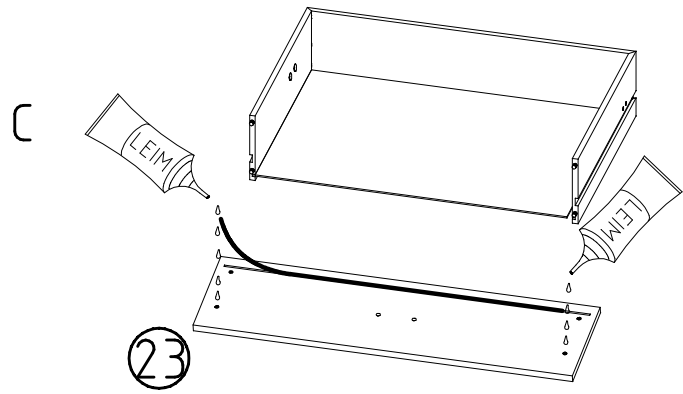
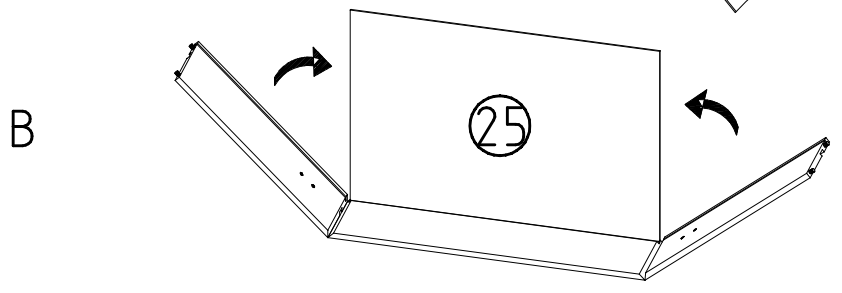
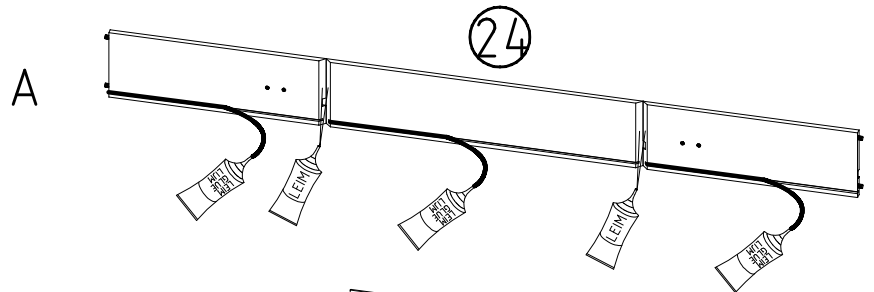
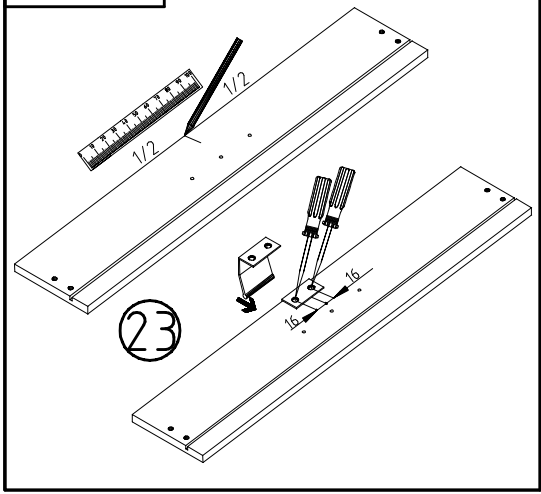
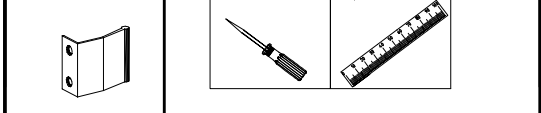
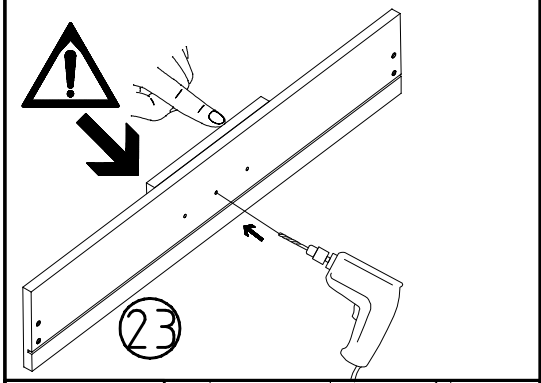
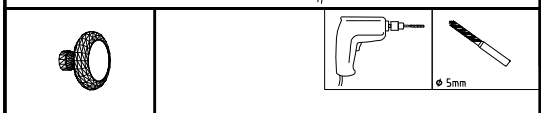
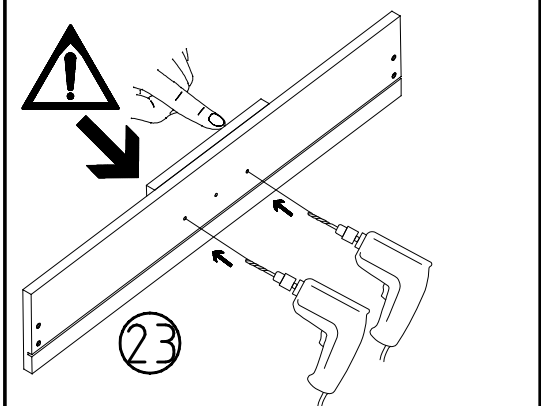
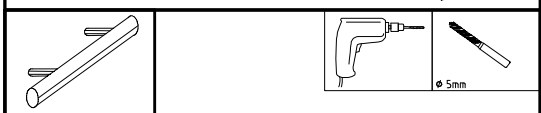
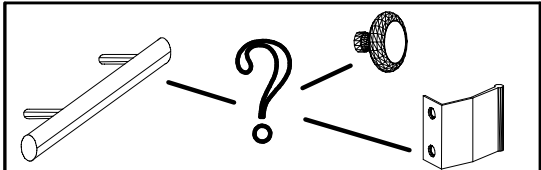
424mm

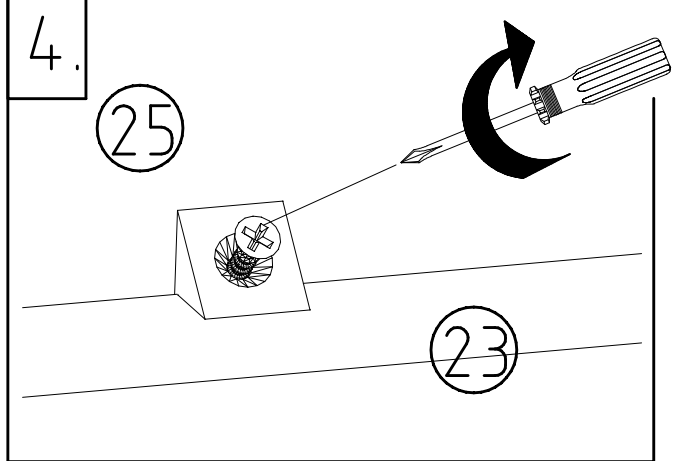
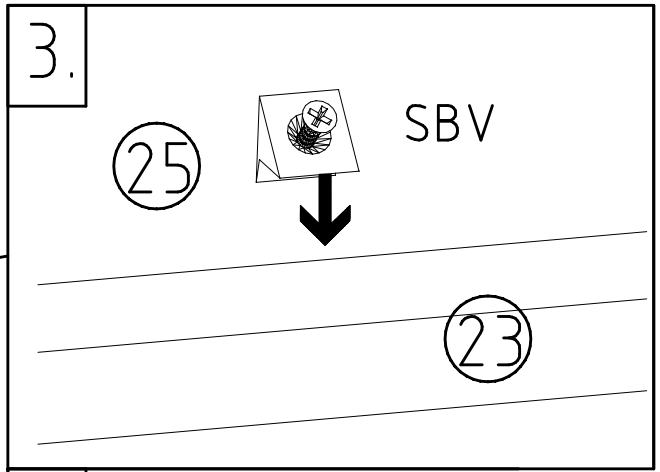
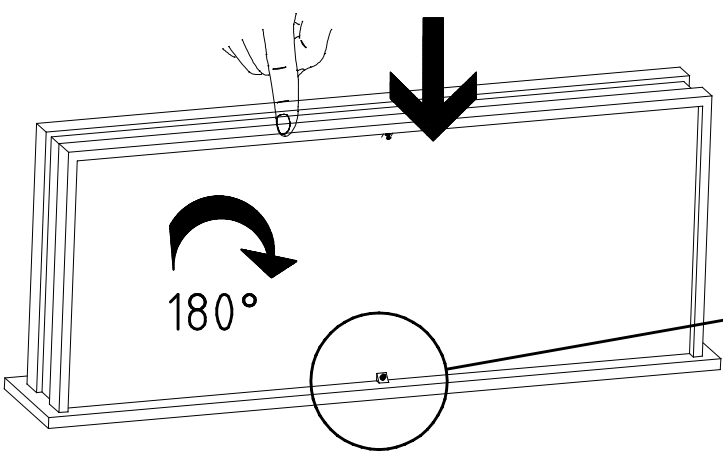
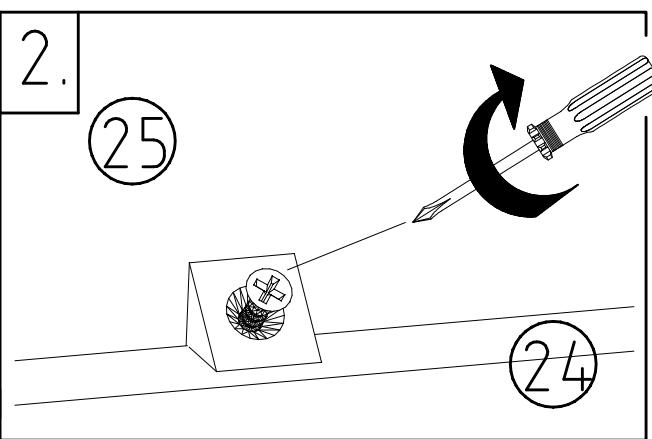
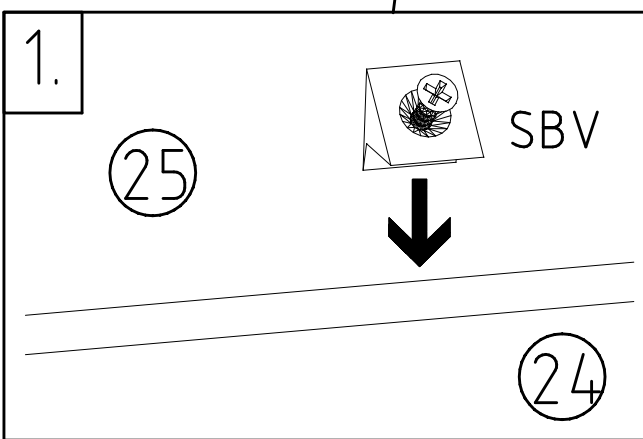
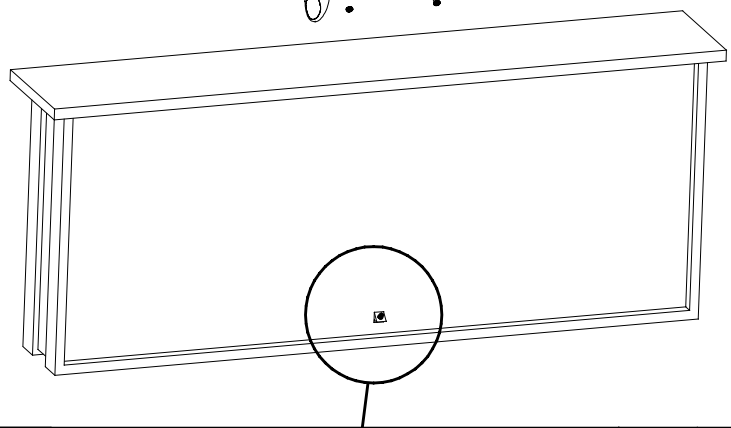
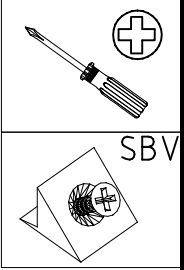
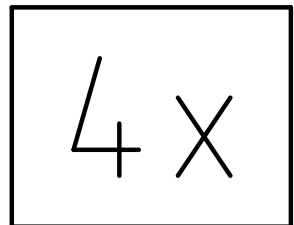
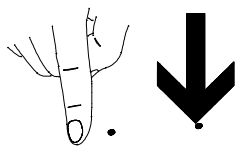
112 403

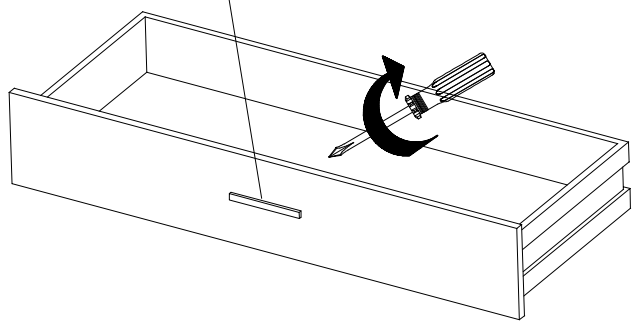
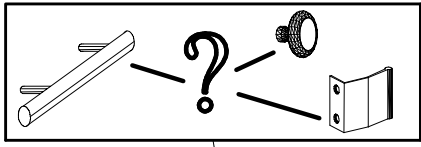
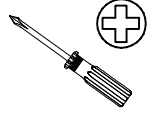




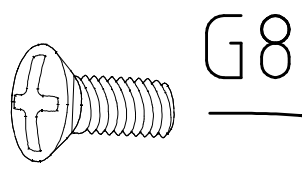
4 X



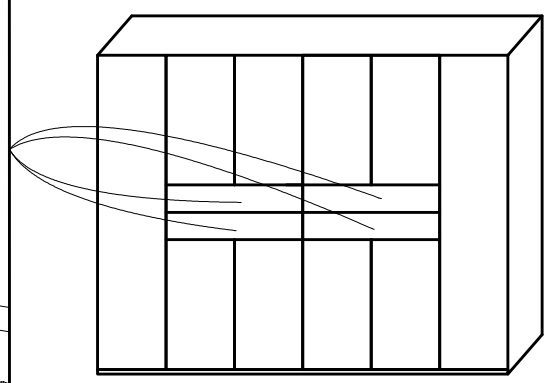
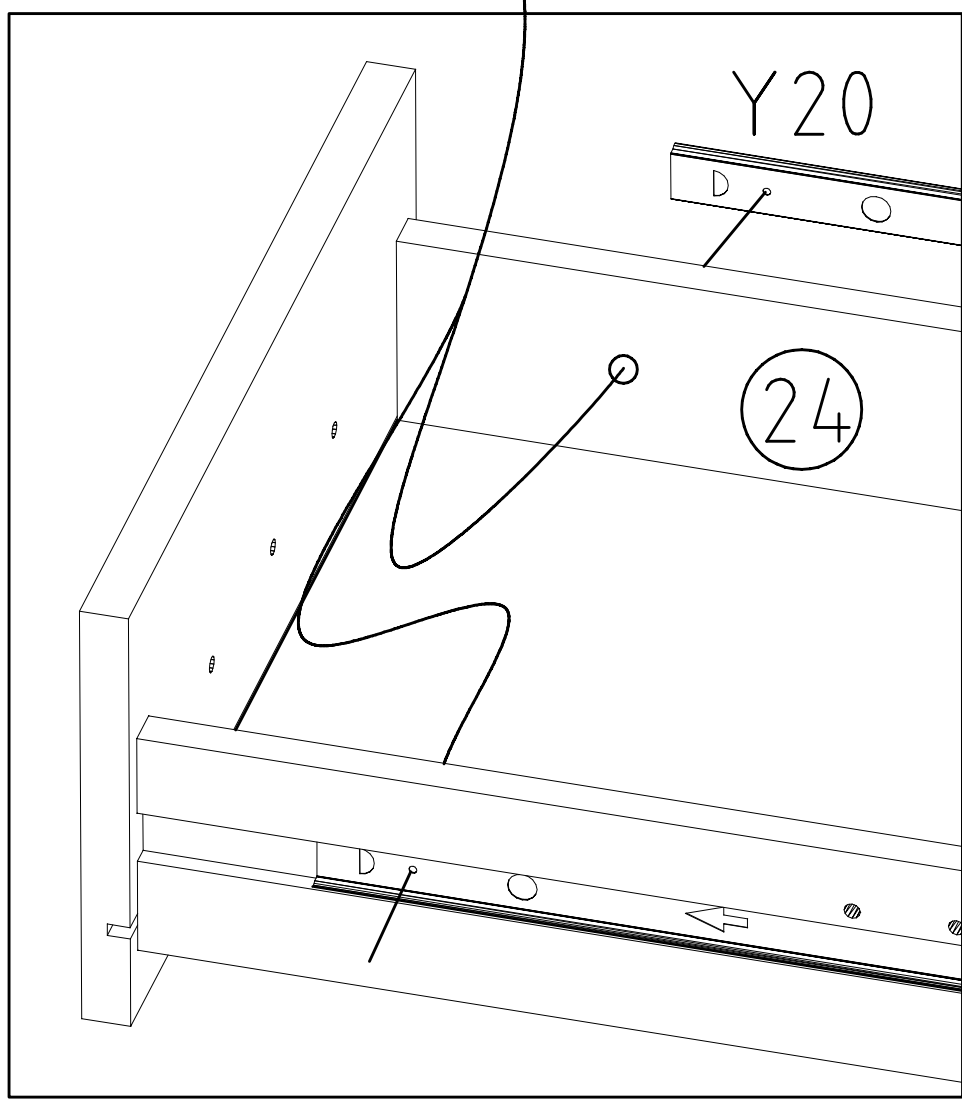


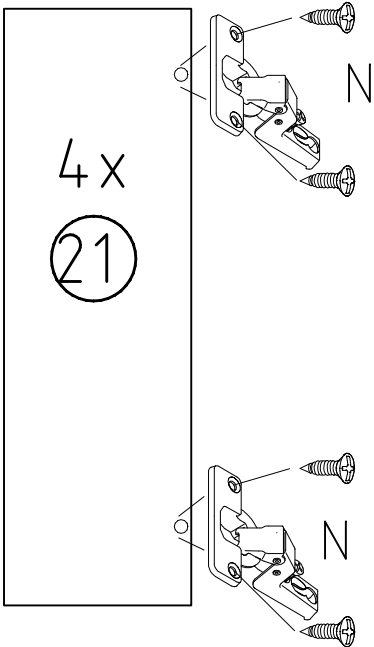
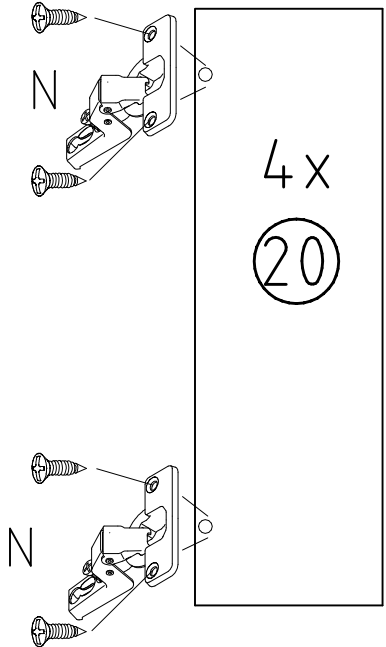
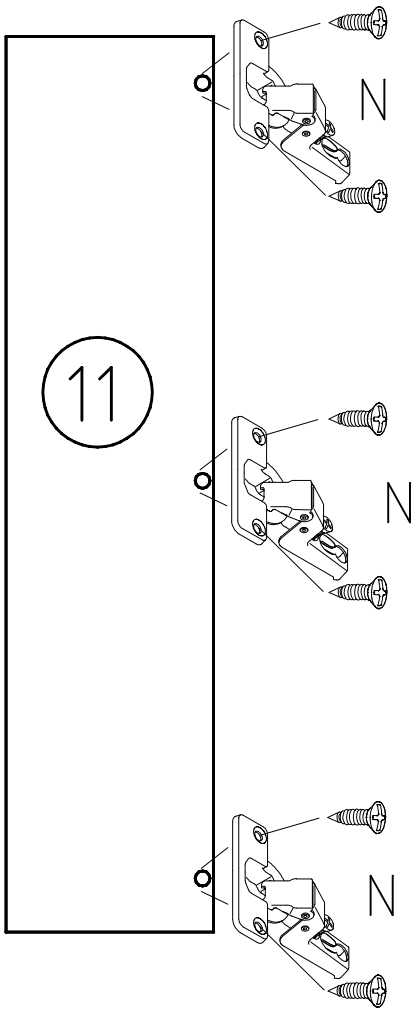
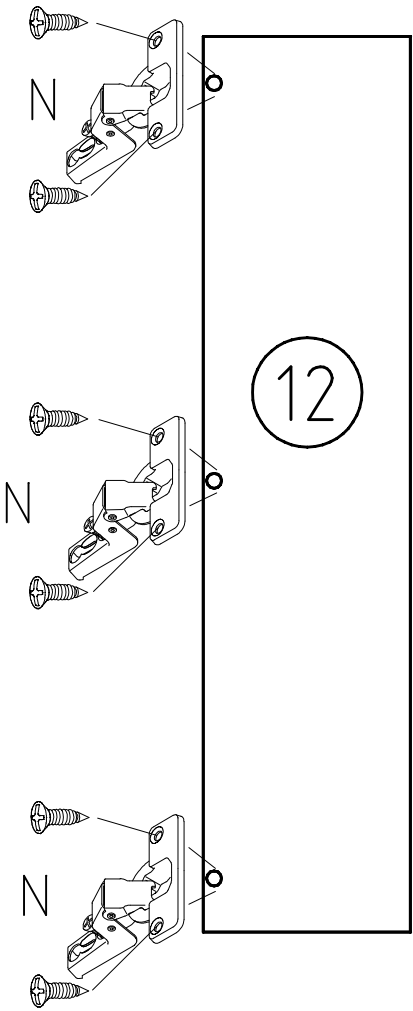
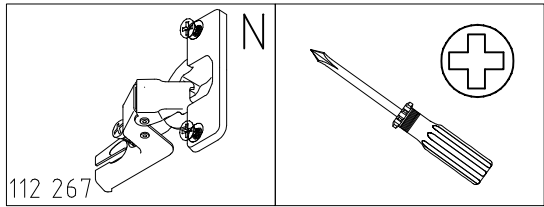
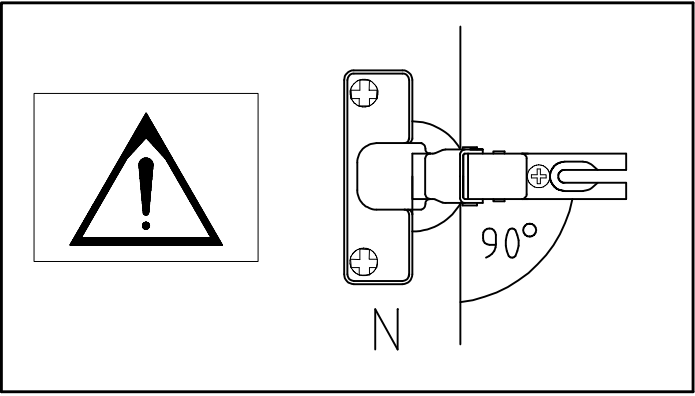


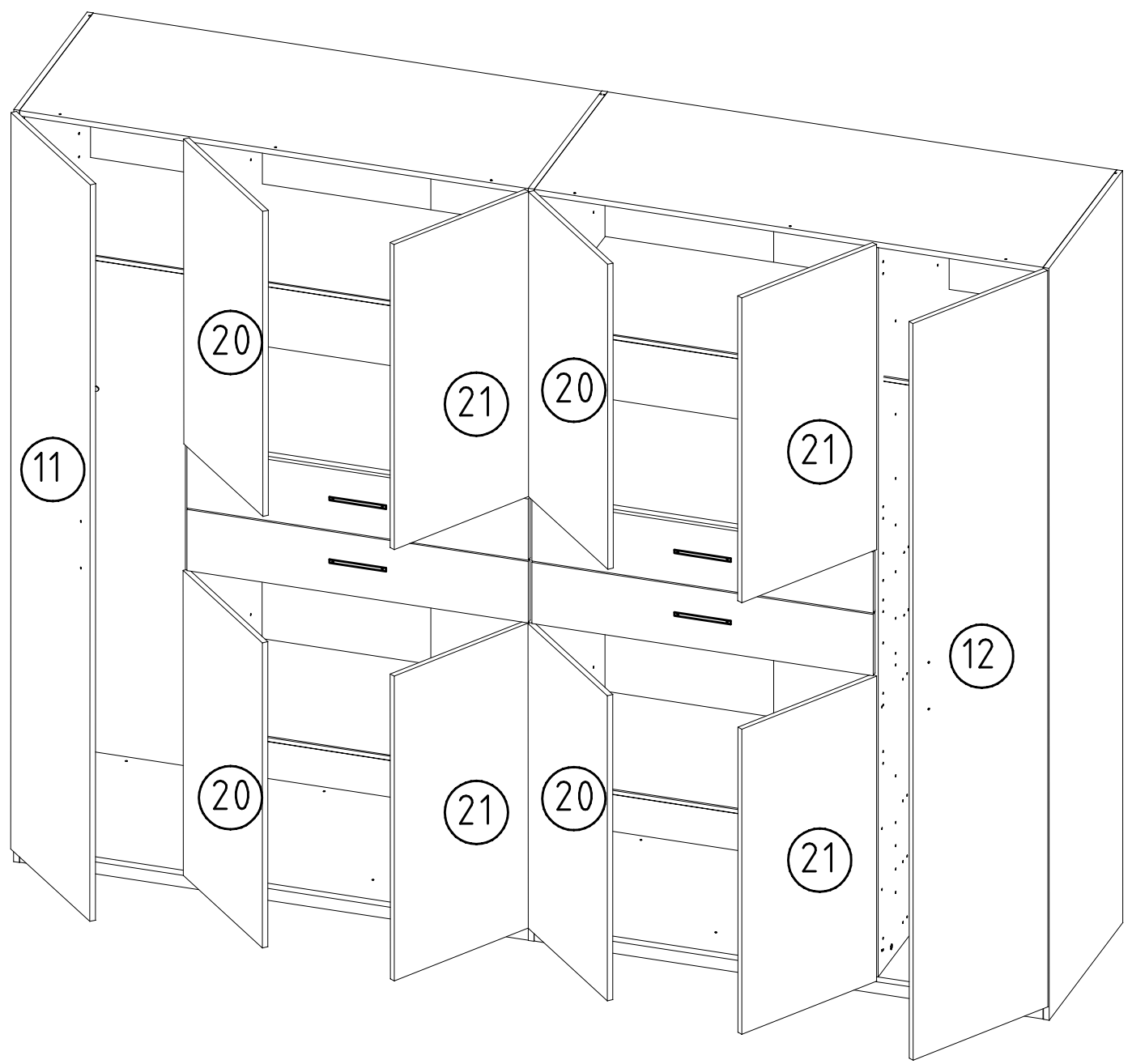
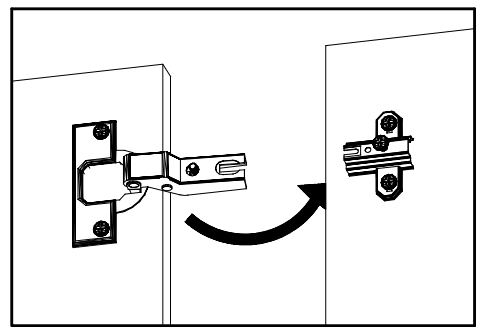
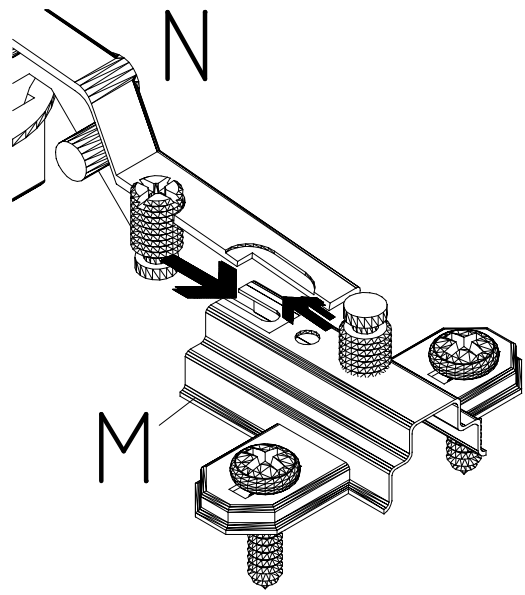
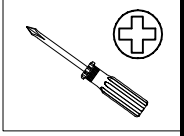
4 X



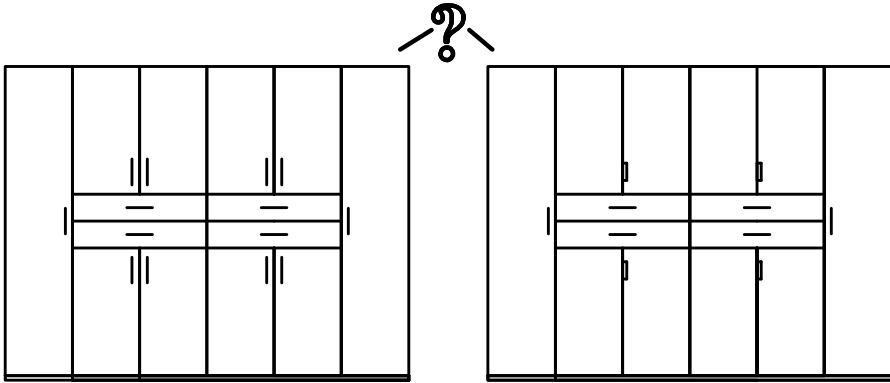
G8





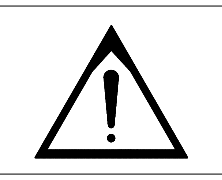


36

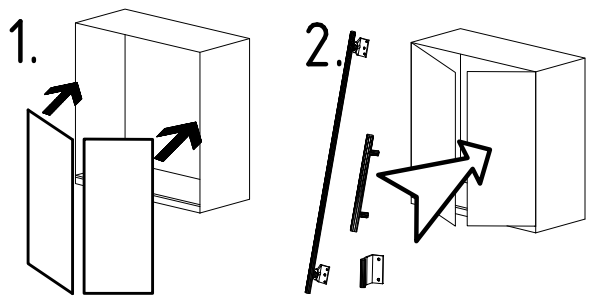


A

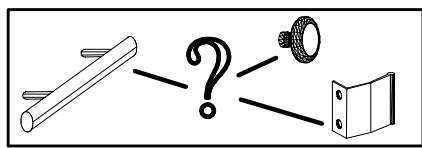
B



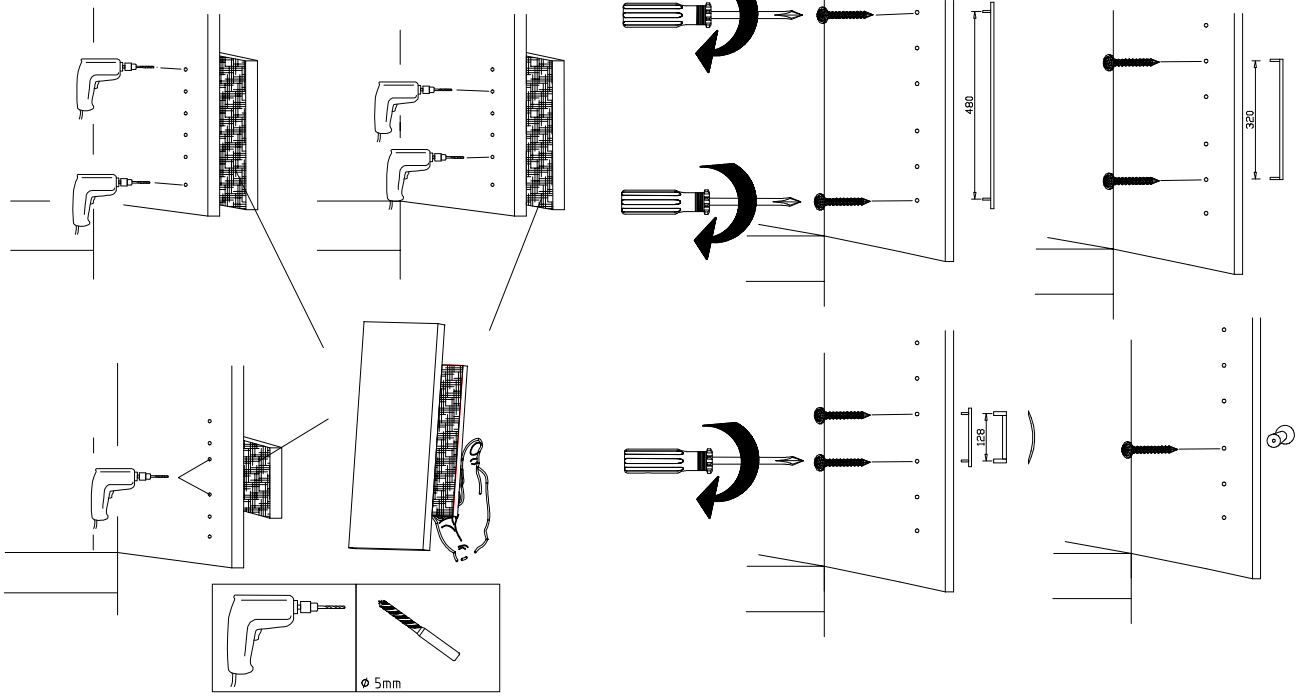
3,5 x 15 mm G1 121 370	4,0 x 12 mm G56 122 625
------------------------------	-------------------------------



36A



	SP27 4,0x22 4 X 27mm 122620	G49 122 609
--	-----------------------------------	----------------



36B

