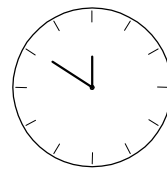
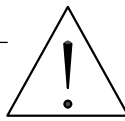
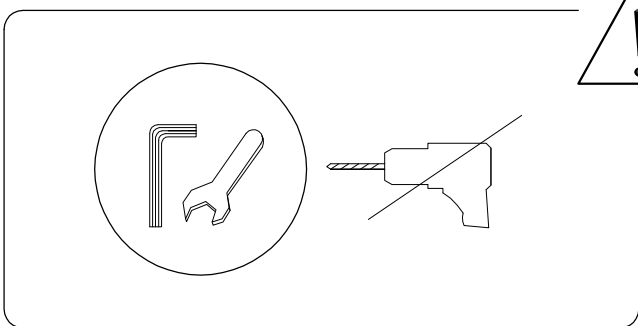
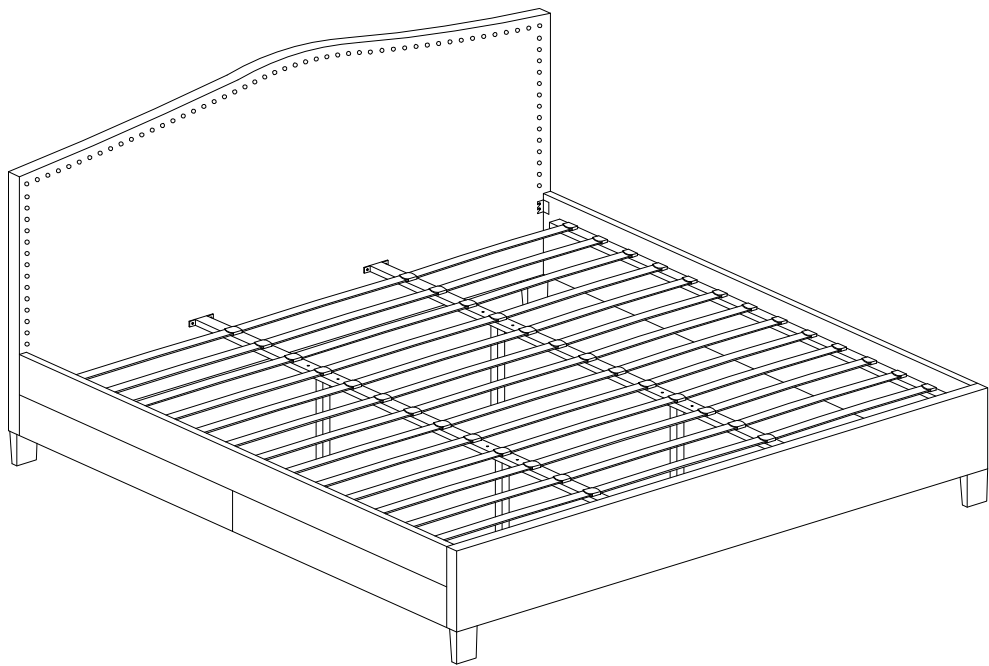
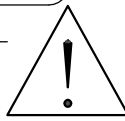
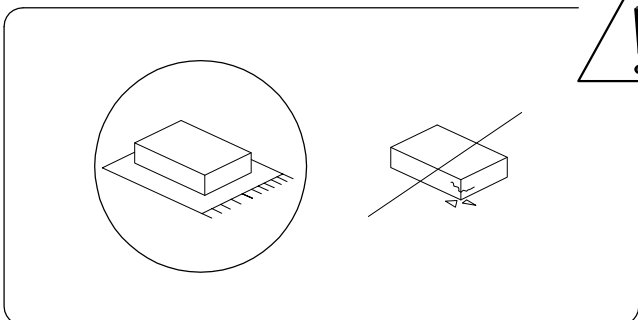


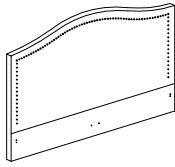
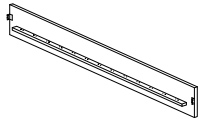
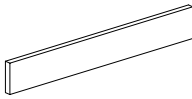
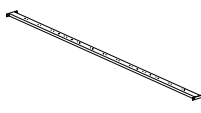
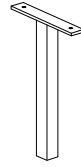

# A

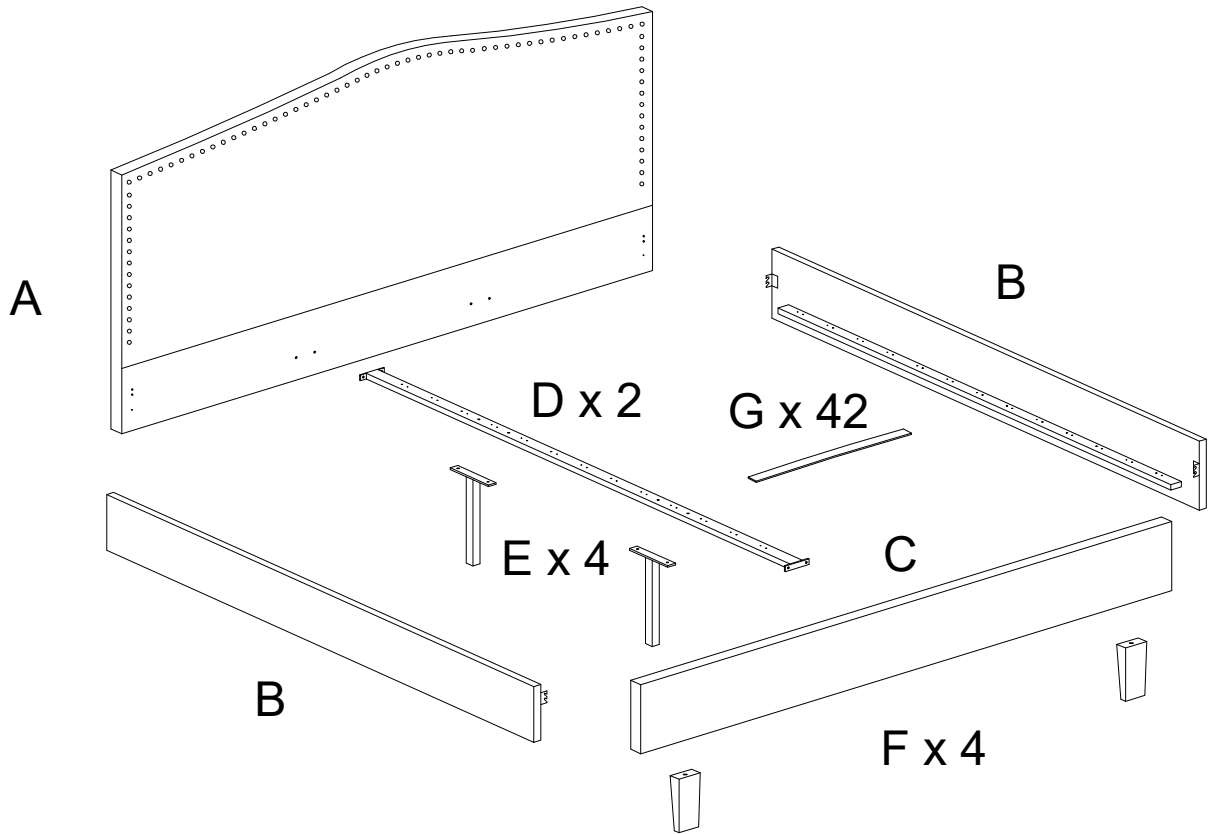



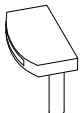
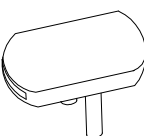
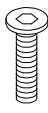
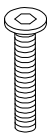
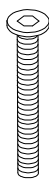
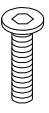
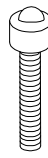
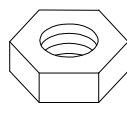
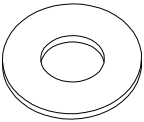
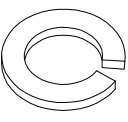

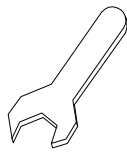
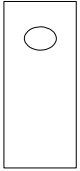
50'



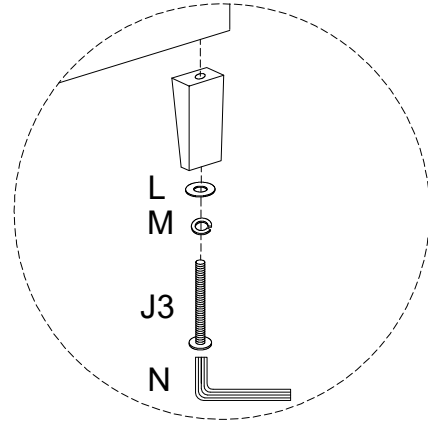
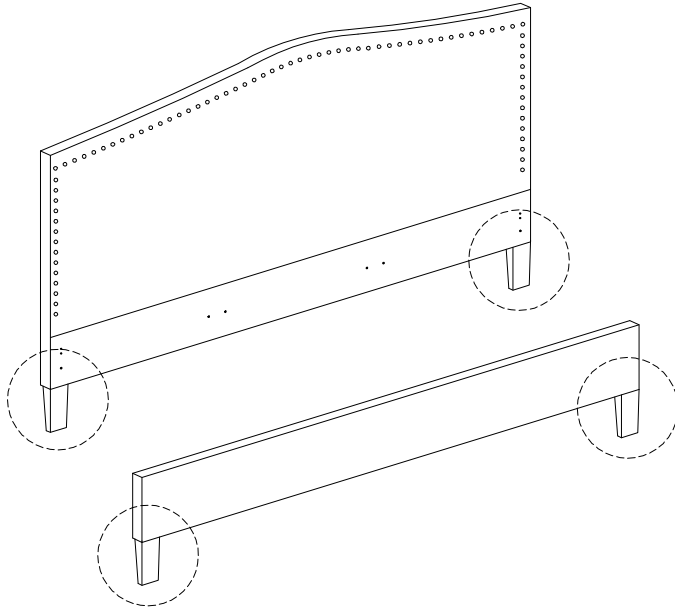
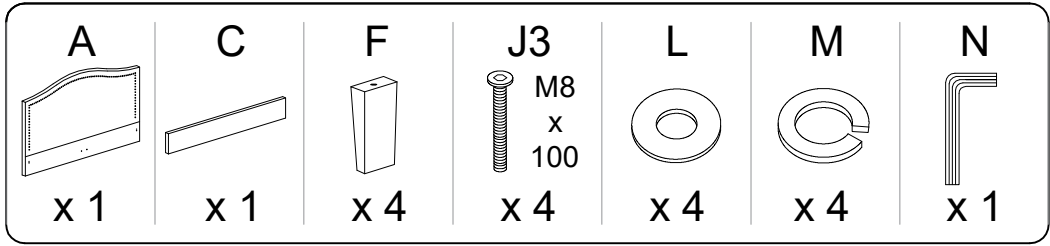
2

<b>A</b>	<b>B</b>	<b>C</b>	<b>D</b>	<b>E</b>	<b>F</b>
					
x 1	x 2	x 1	x 2	x 4	x 4

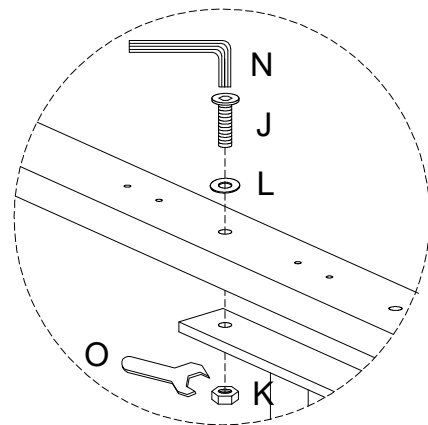
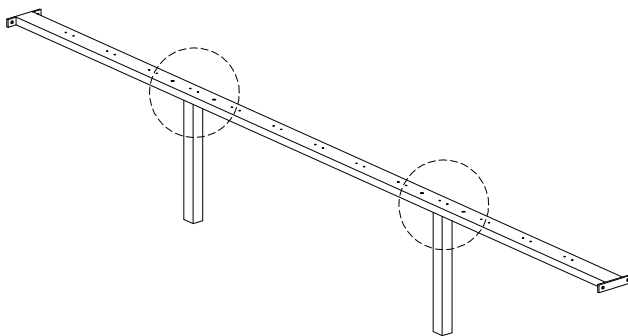
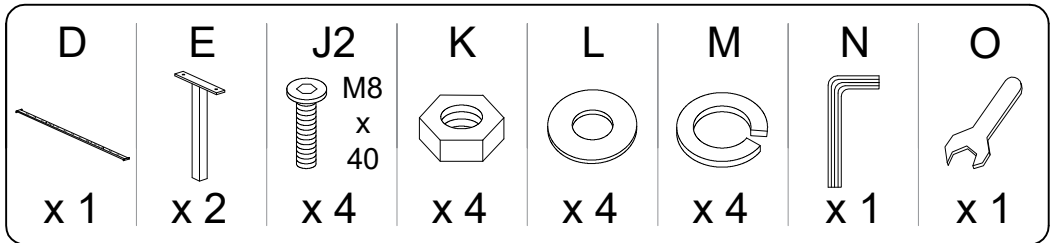


<b>G</b>	<b>H</b>	<b>I</b>	<b>J1</b>	<b>J2</b>	<b>J3</b>	<b>J4</b>
						
x 42	x 28	x 28	x 8	x 16	x 4	x 2
<b>J5</b>	<b>K</b>	<b>L</b>	<b>M</b>	<b>N</b>	<b>O</b>	<b>P</b>
						
x 4	x 8	x 30	x 30	x 1	x 1	x 2

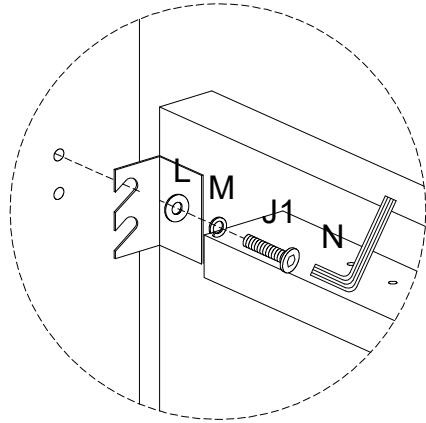
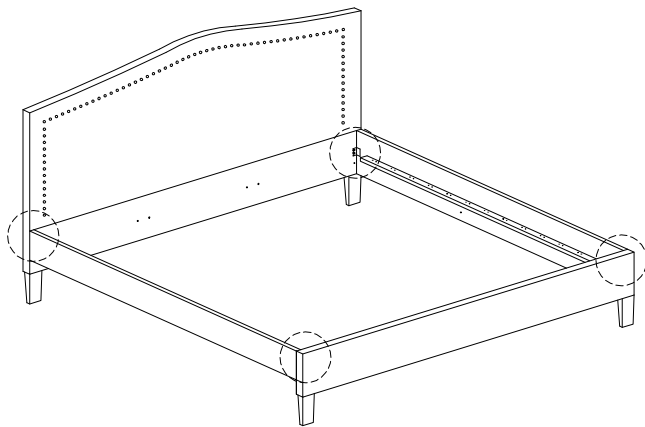
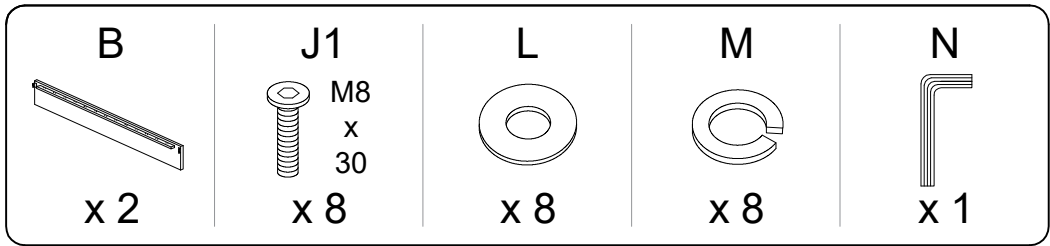
1



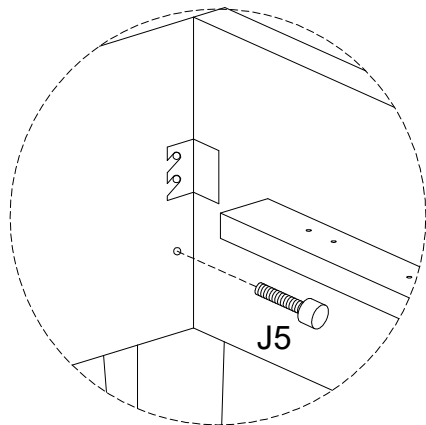
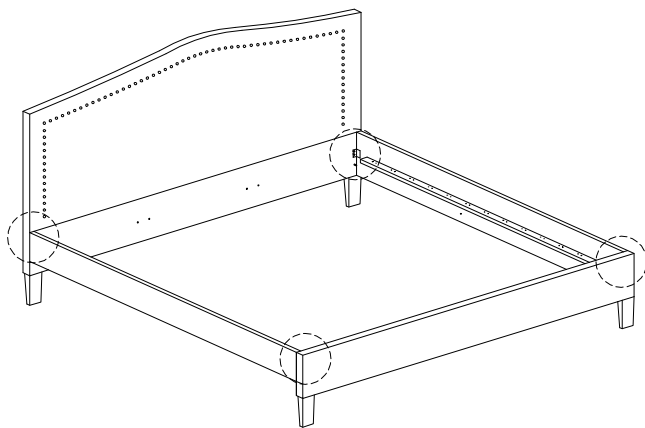
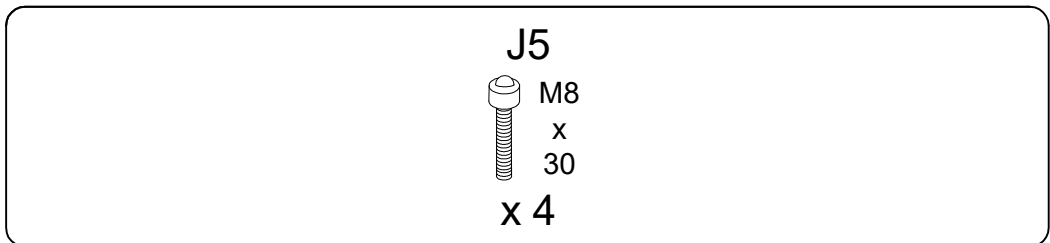
2 x 2



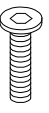
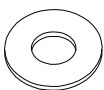


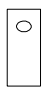
3

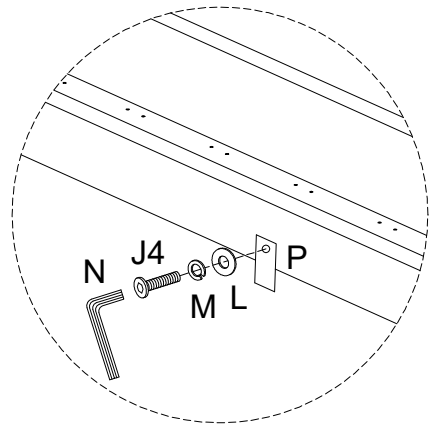
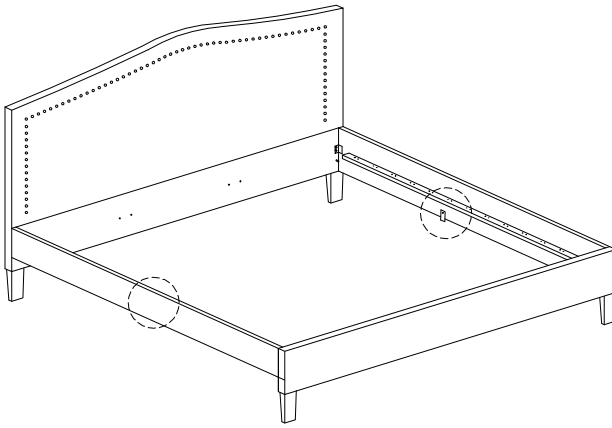


4

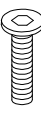
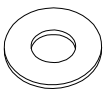
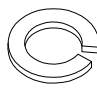



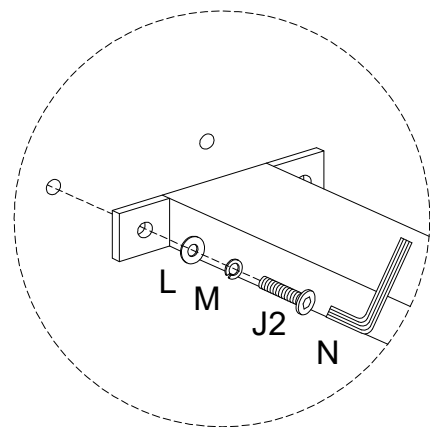
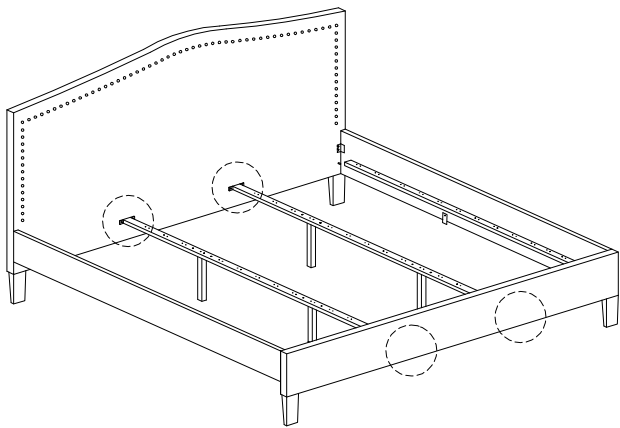
5

<b>J4</b>  M8 x 20 x 2	<b>L</b>  x 2	<b>M</b>  x 2	<b>N</b>  x 1	<b>P</b>  x 2
---	--	--	--	--

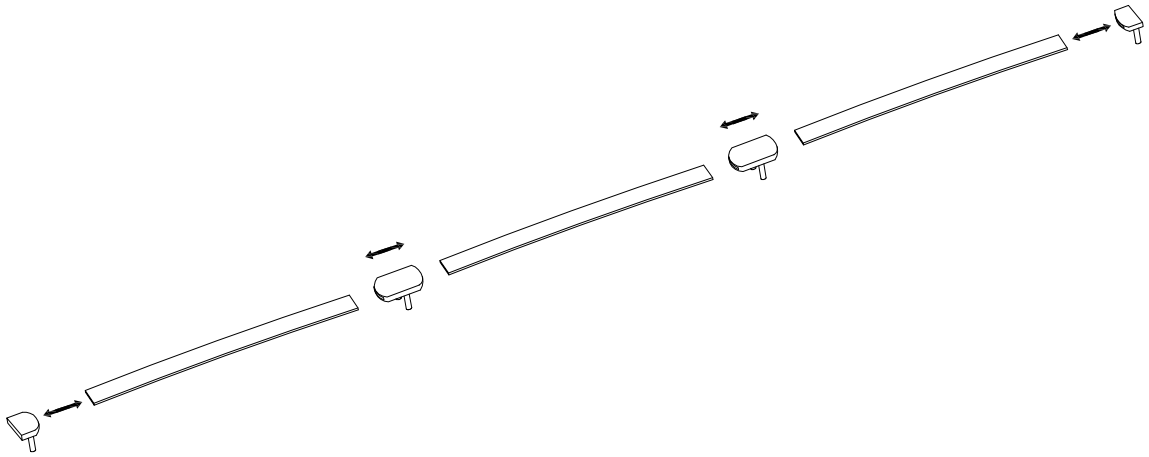
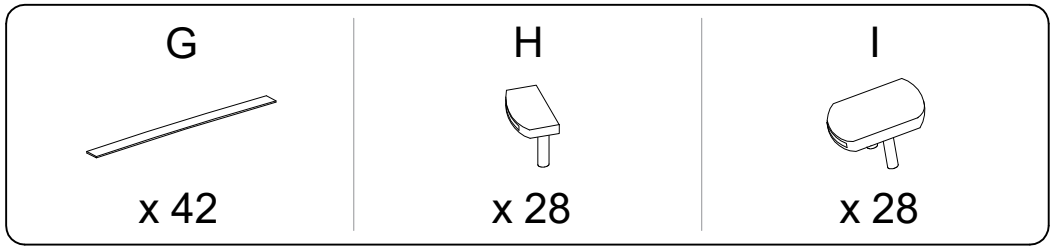


6 x 2

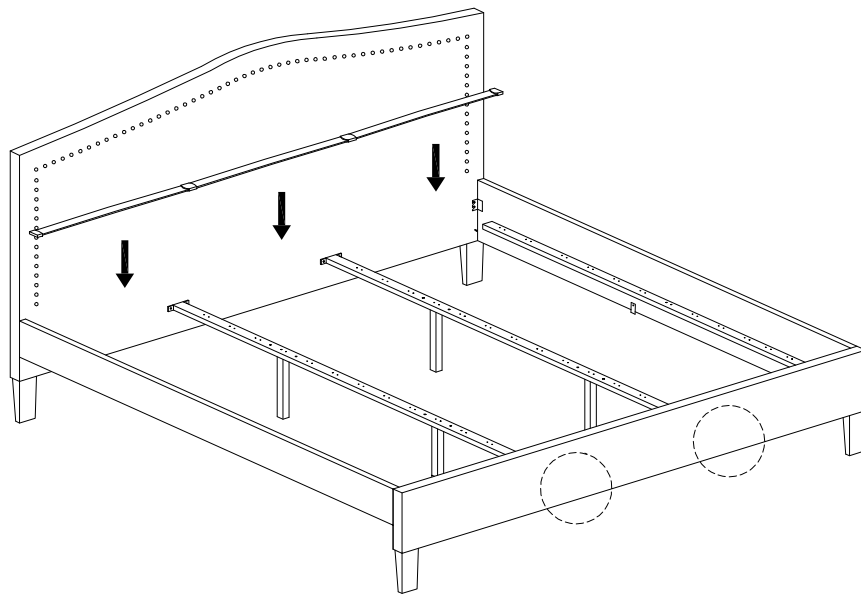
<b>J2</b>  M8 x 30 x 4	<b>L</b>  x 4	<b>M</b>  x 4	<b>N</b>  x 1
---	--	---	--



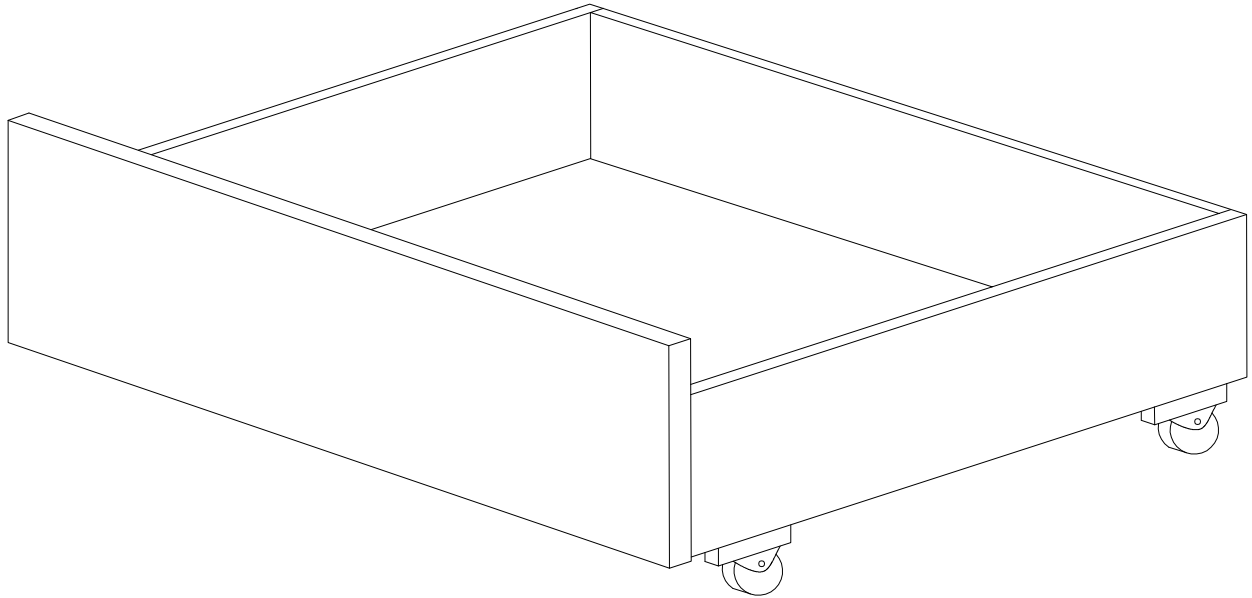
7

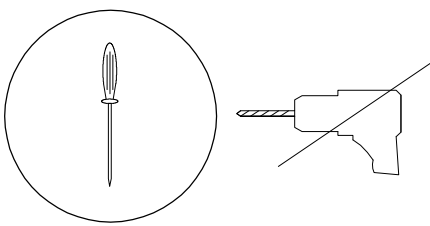

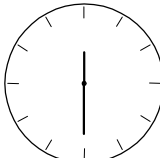
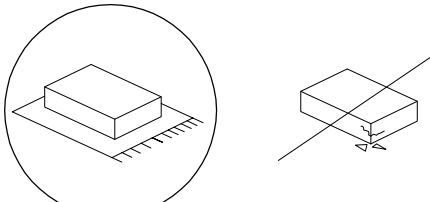
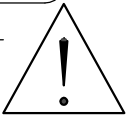



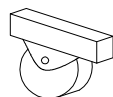
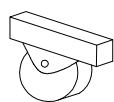
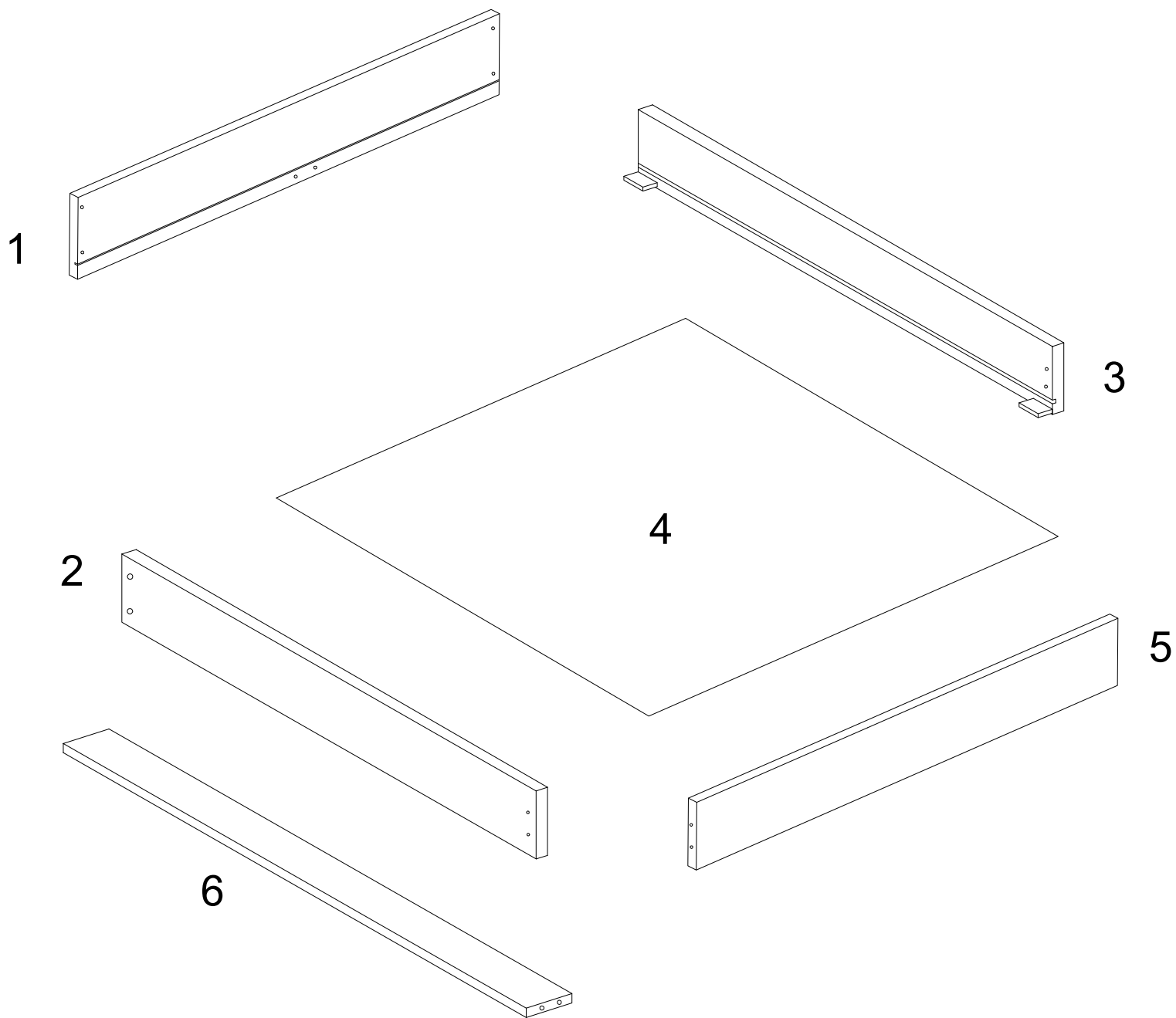
8



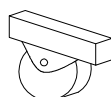
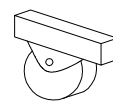
# B x 4



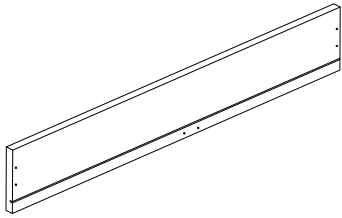
		
		30'
		
		2



**B x 4**

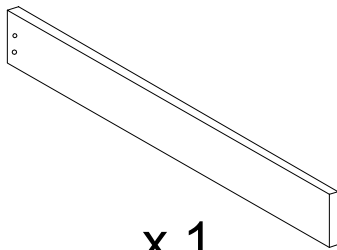


1



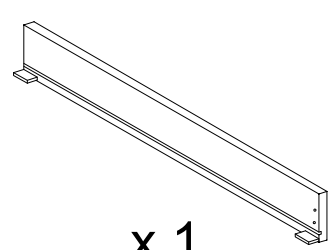
x 1

2



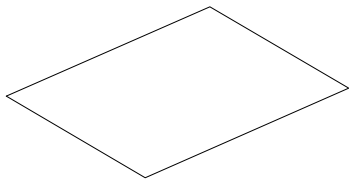
x 1

3



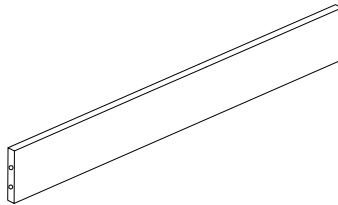
x 1

4



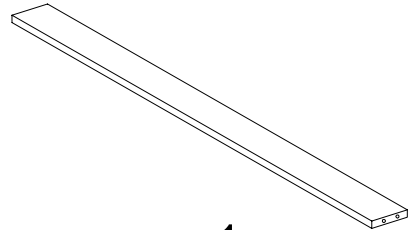
x 1

5



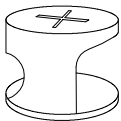
x 1

6



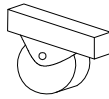
x 1

A



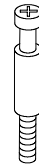
x 8

B



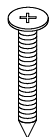
x 4

C



x 8

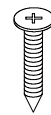
D



M4  
x  
30

x 4

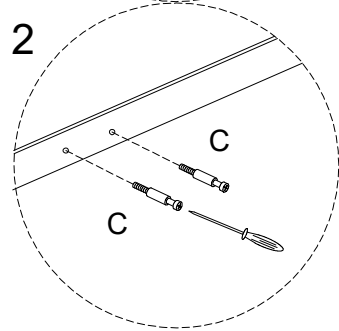
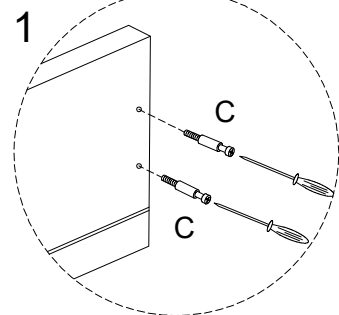
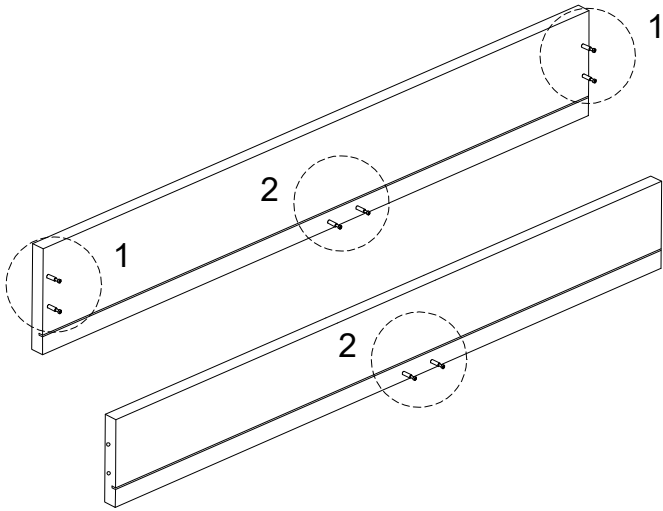
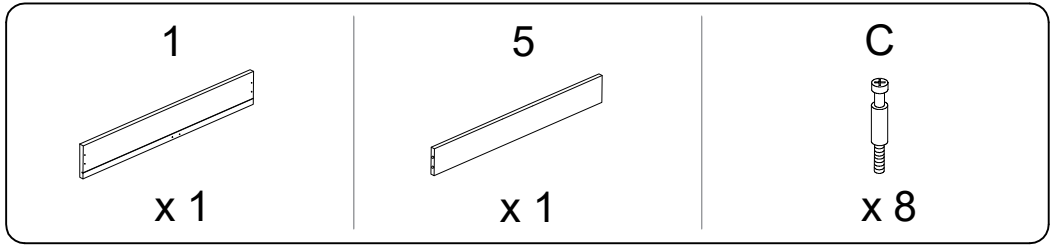
E



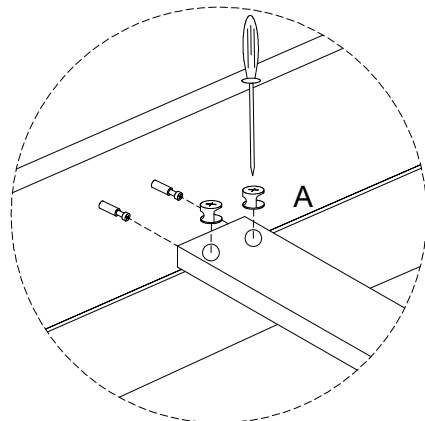
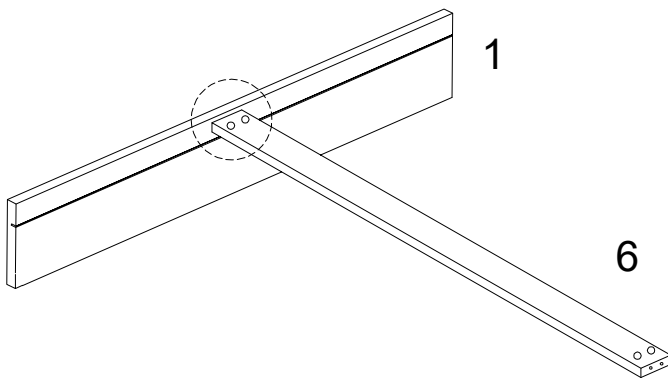
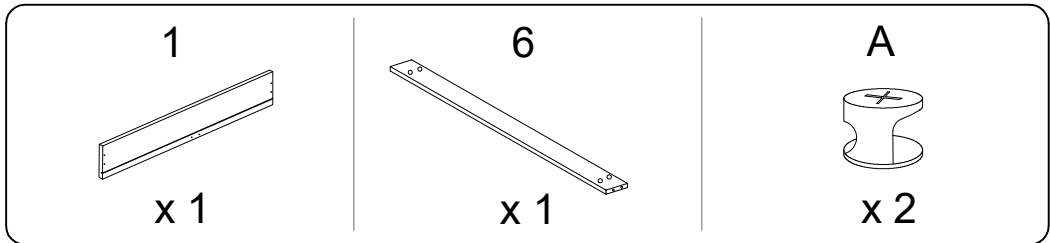
M4  
x  
15

x 16

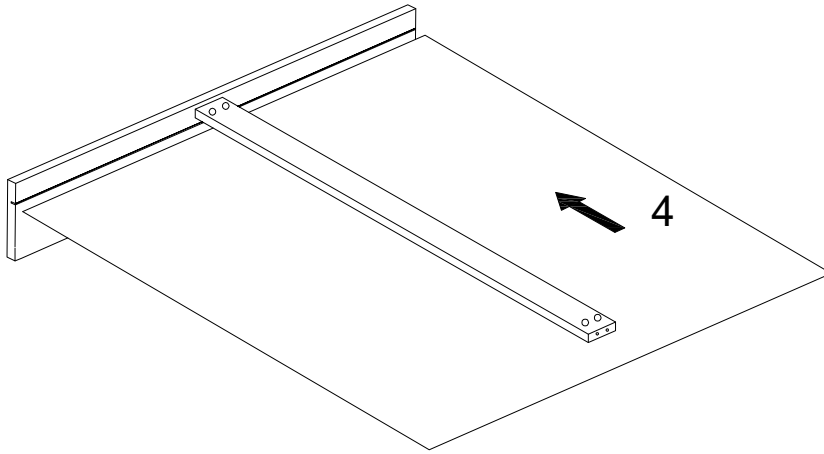
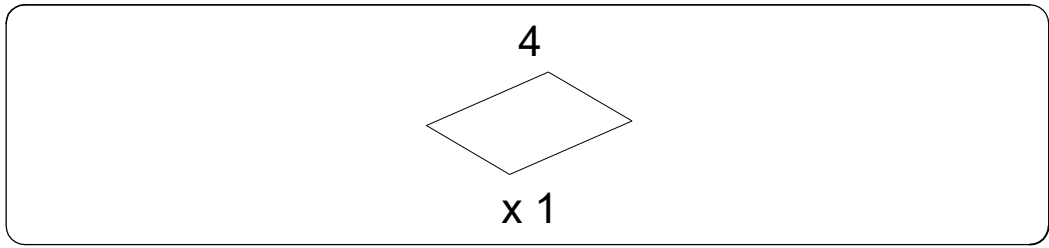
1



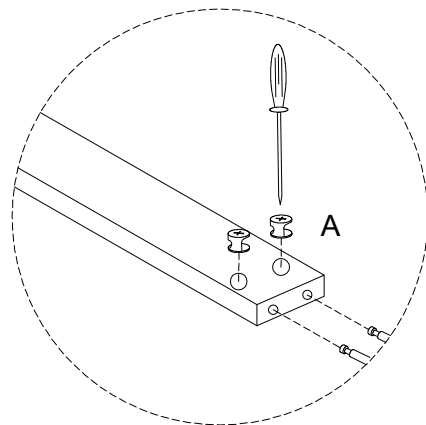
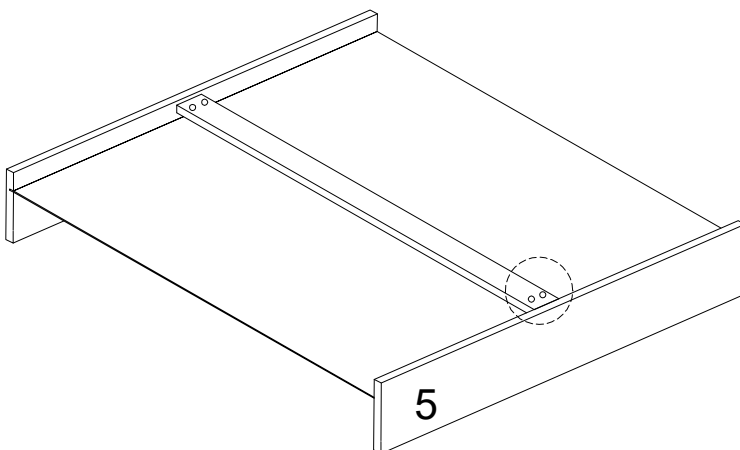
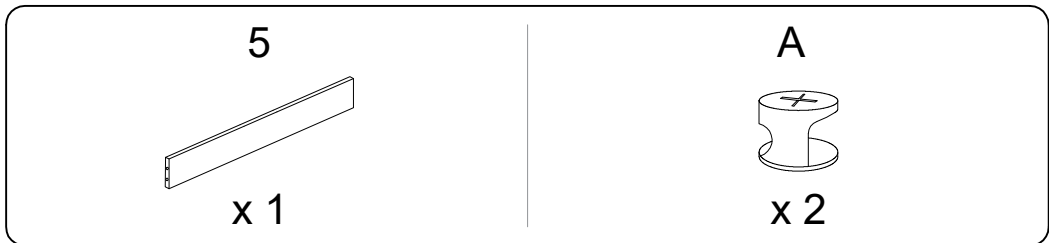
2



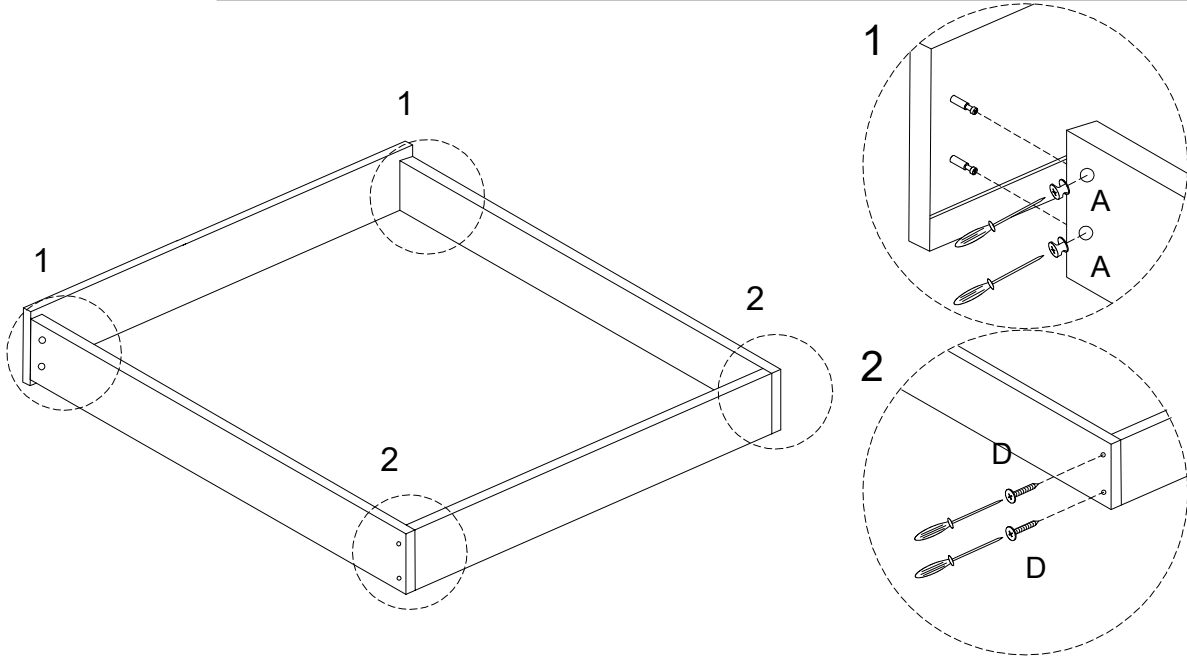
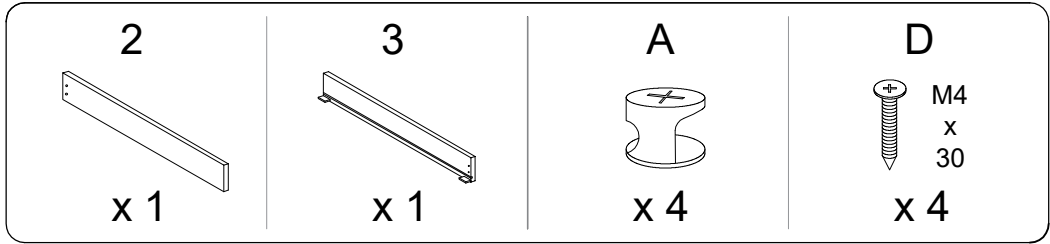
3



4



5



6

