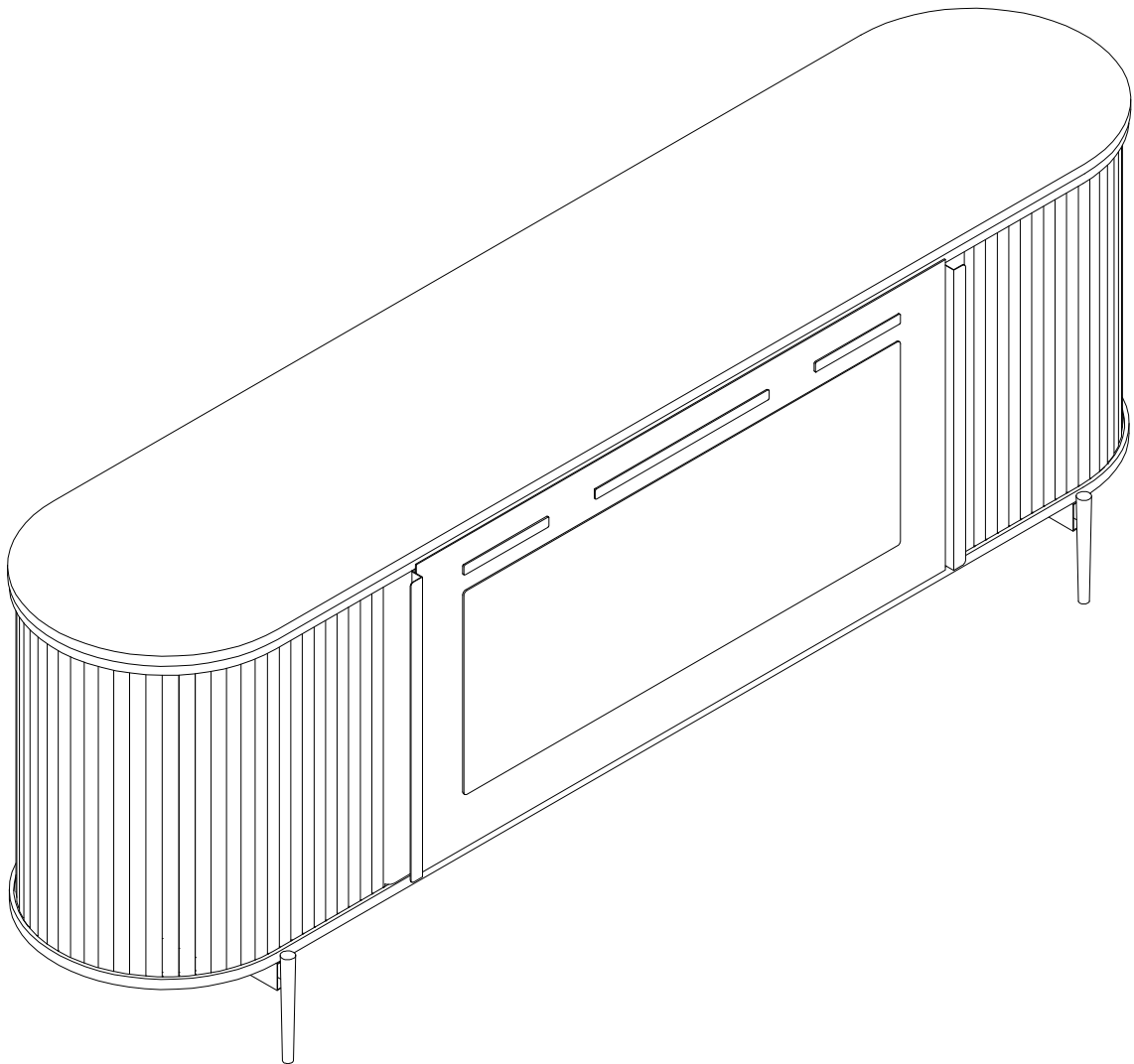


MANUAL INSTRUCTIONS



✉ (24/7):service@kmcglobe-us.com

☎ (only us) +1 213-816-4788

ATTENTION



1. The product must be assembled and used according to the manual. The seller is not liable for any damage caused by incorrect assembly or misuse.
2. Do not sit or stand on the product.
3. Place the item on a flat surface.
4. Keep small parts away from children to avoid choking hazards.
5. Keep product away from corrosive gases, liquids and dusty environment.
6. Keep the original box(es) until assembly is complete or no quality issues need to be confirmed.

AFTER-SALE SERVICE

If you have any suggestions or encounter quality issues with our products, please contact us first. Our after-sales team will respond within 24 hours, and we will do our best to provide a solution until you are satisfied.

GUARANTEED CUSTOMER SERVICE

Your shopping experience is very important to us!

If you feel unsatisfied or have any questions, just contact us without any hesitation!

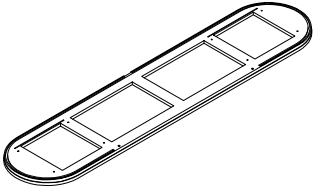
If you want to share how wonderful our smart product makes your home, you can share your pictures with us!

For further information, contacts immediately:

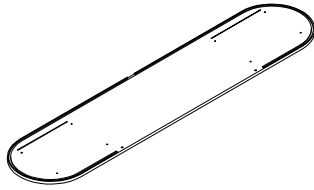


service@kmcglobe-us.com

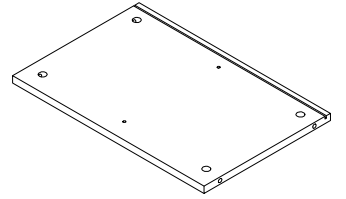
PARTS



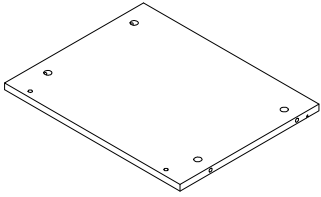
1 × 1



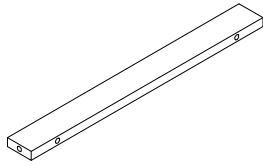
2 × 1



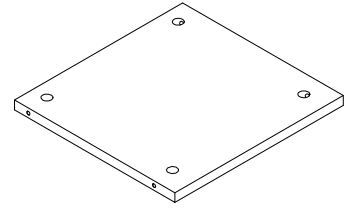
3 × 2



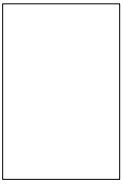
4 × 2



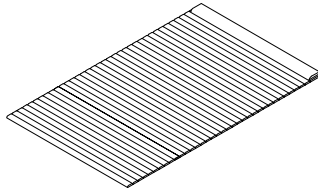
5 × 2



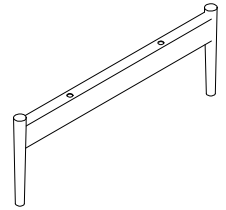
6 × 2



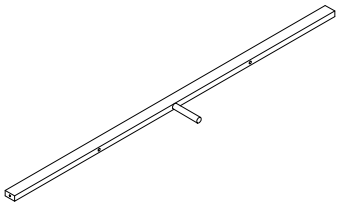
7 × 2



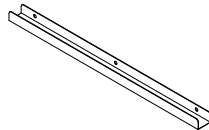
8 × 2



9 × 2



10 × 1



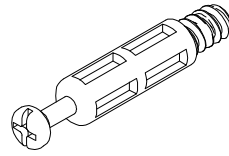
11 × 2

HARDWARE



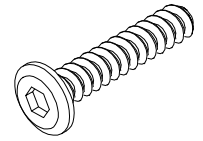
Φ15x12mm

A × 24(+1)



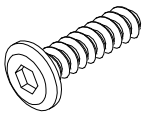
Φ6x40mm

B × 24(+1)



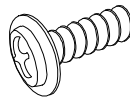
Φ6x50mm

C × 6(+1)



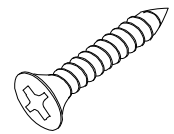
Φ6x40mm

D × 2(+1)



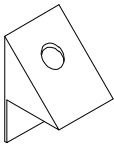
Φ4x10mm

E × 6(+1)

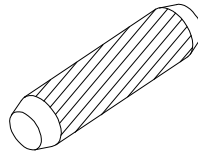


K3.5x14mm

F × 8(+1)

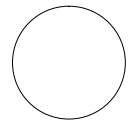


G × 8(+1)

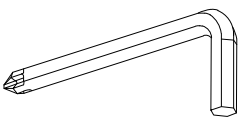


Φ8x30mm

H × 8(+1)

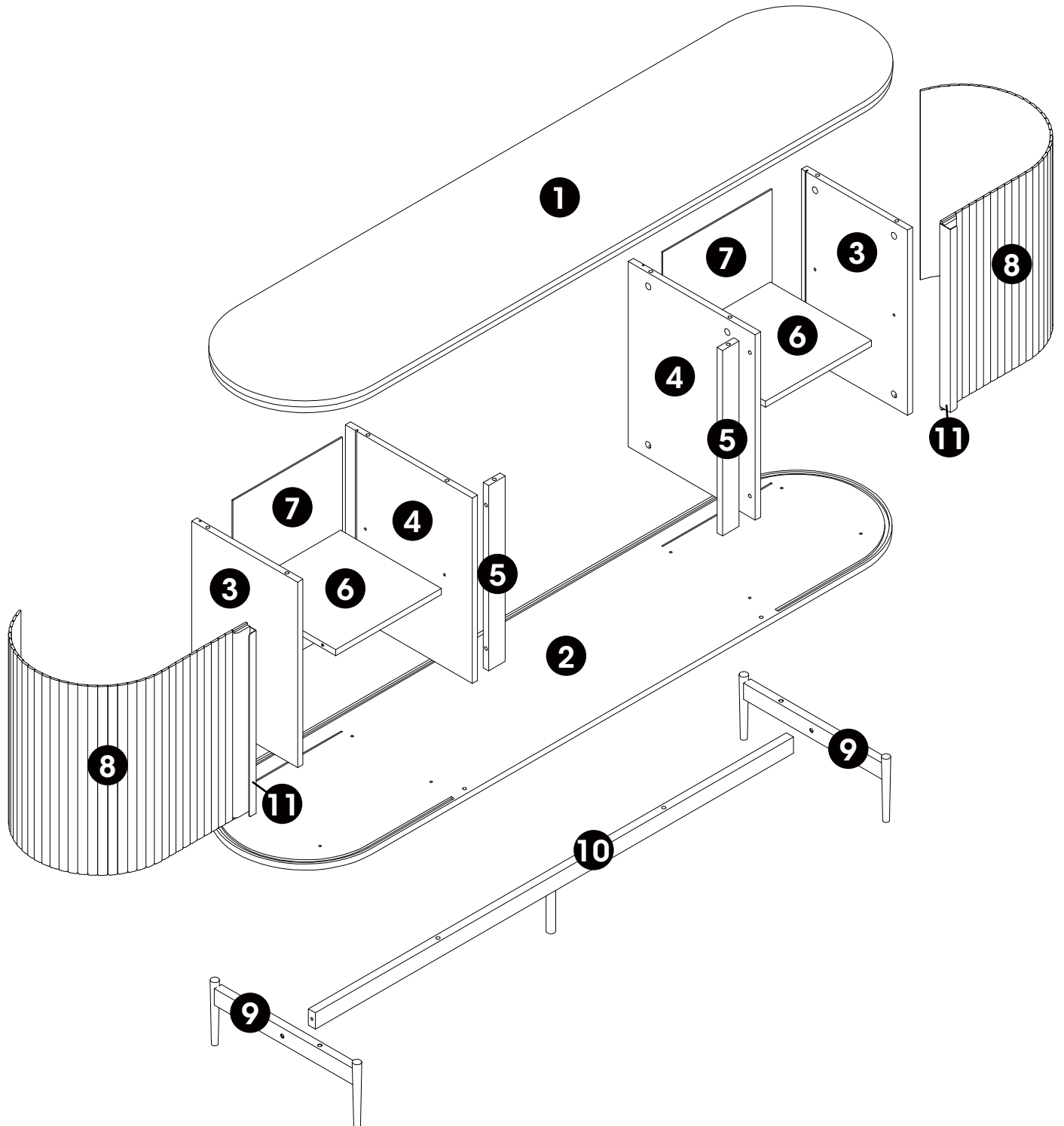


I × 24(+2)

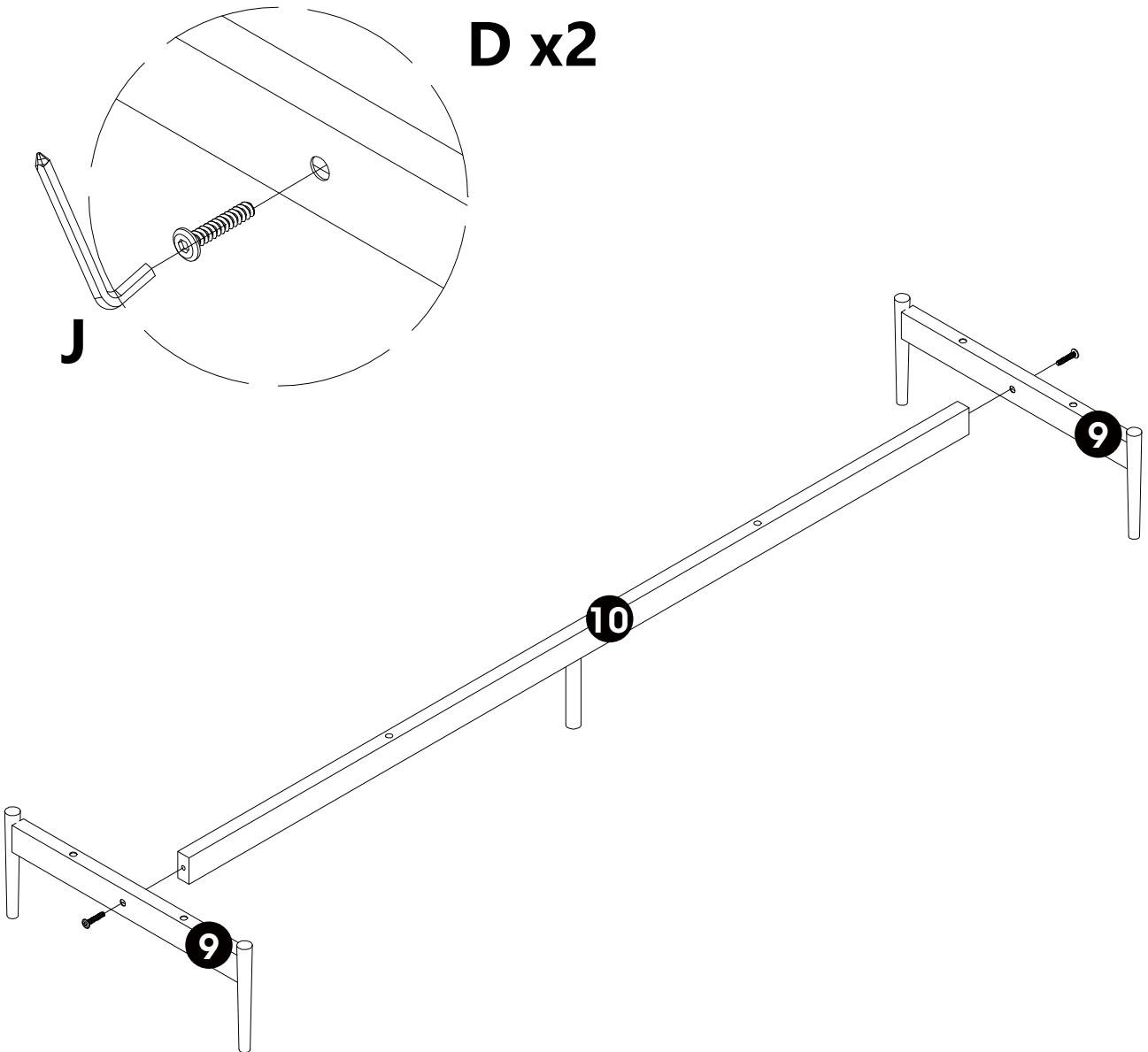
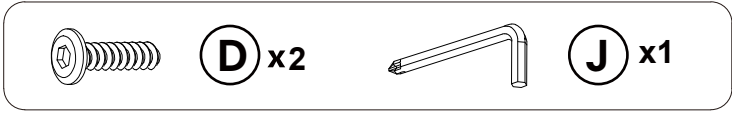


J × 1

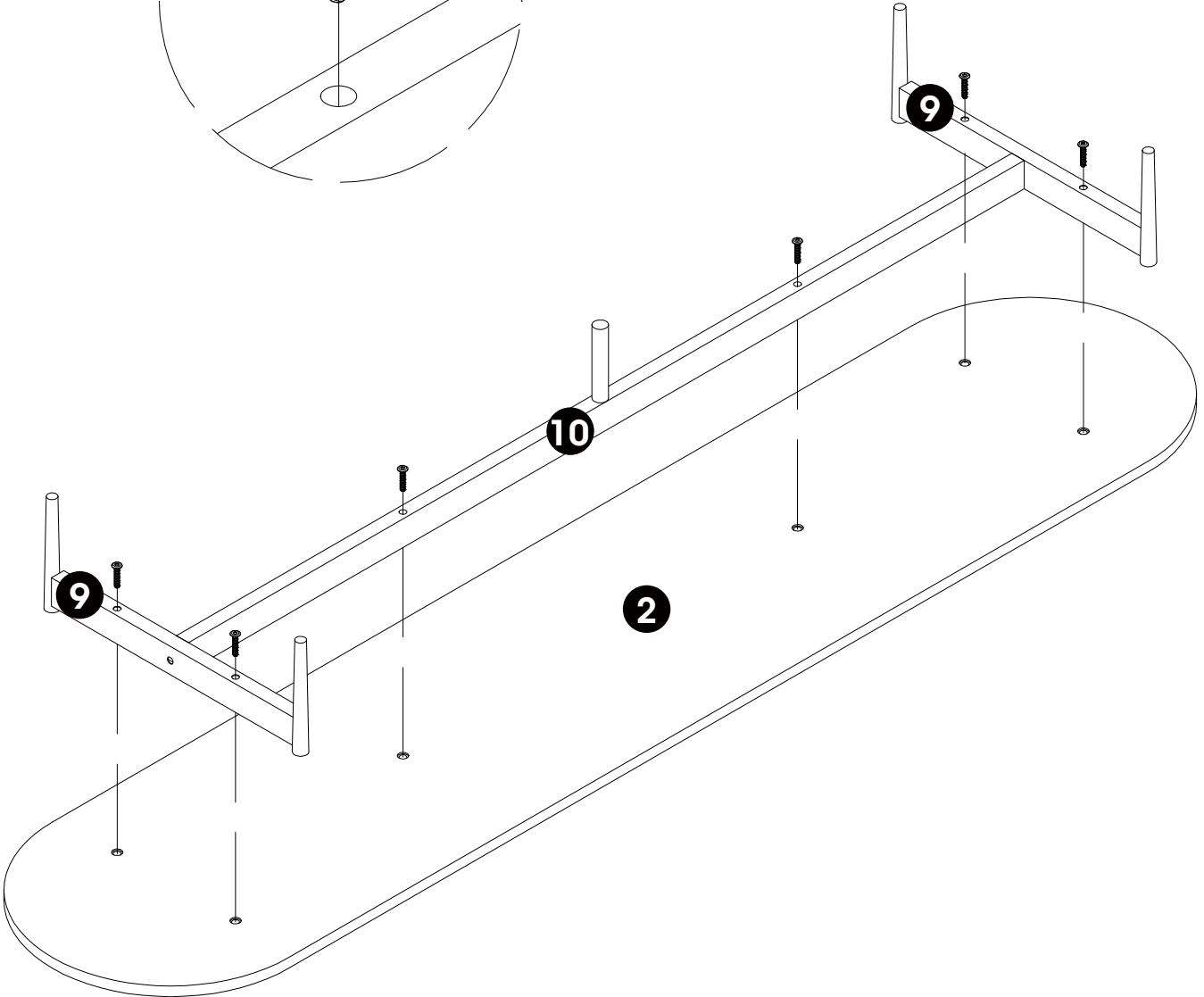
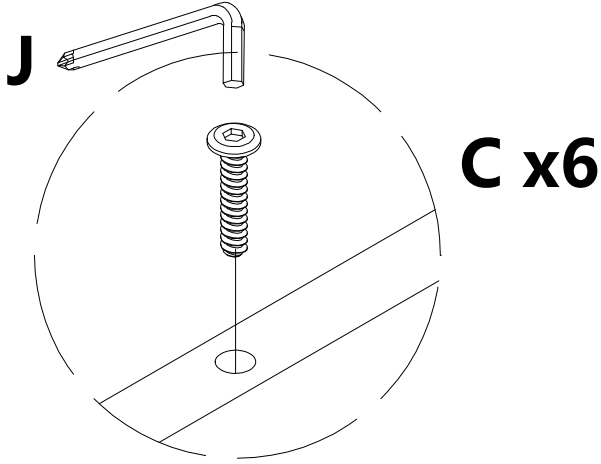
EXPLOSION VIEW



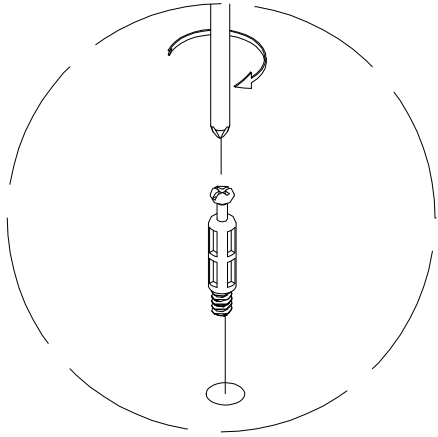
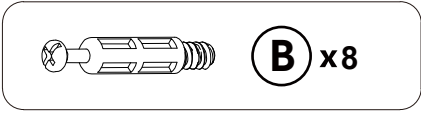
1



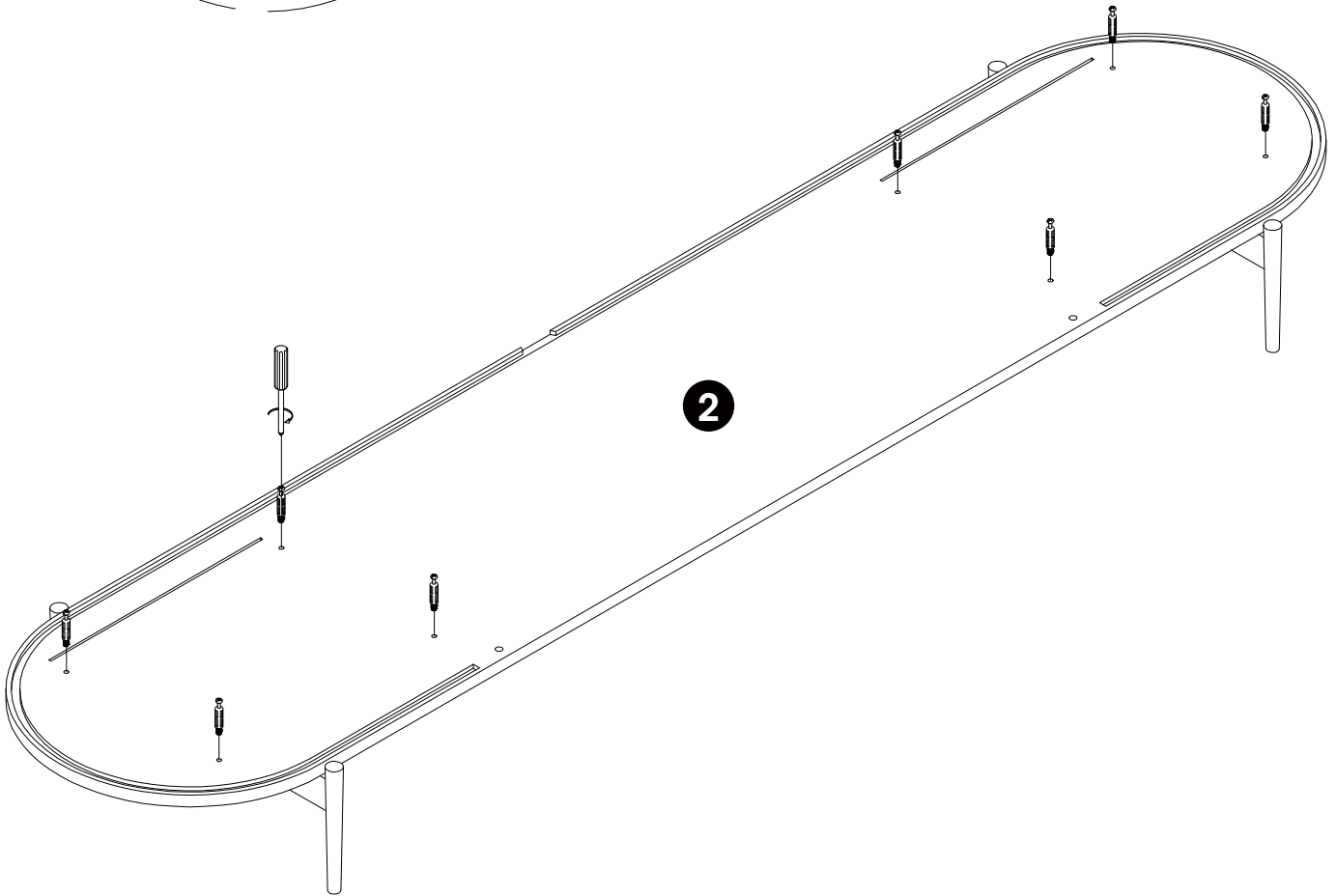
2



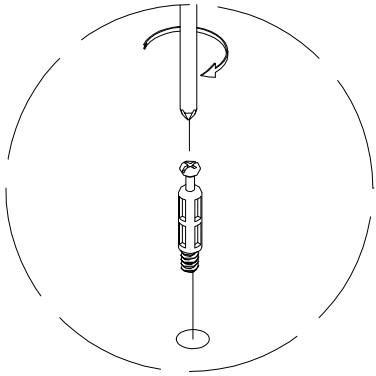
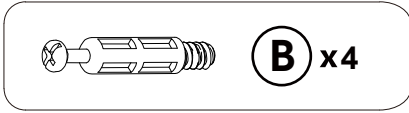
3



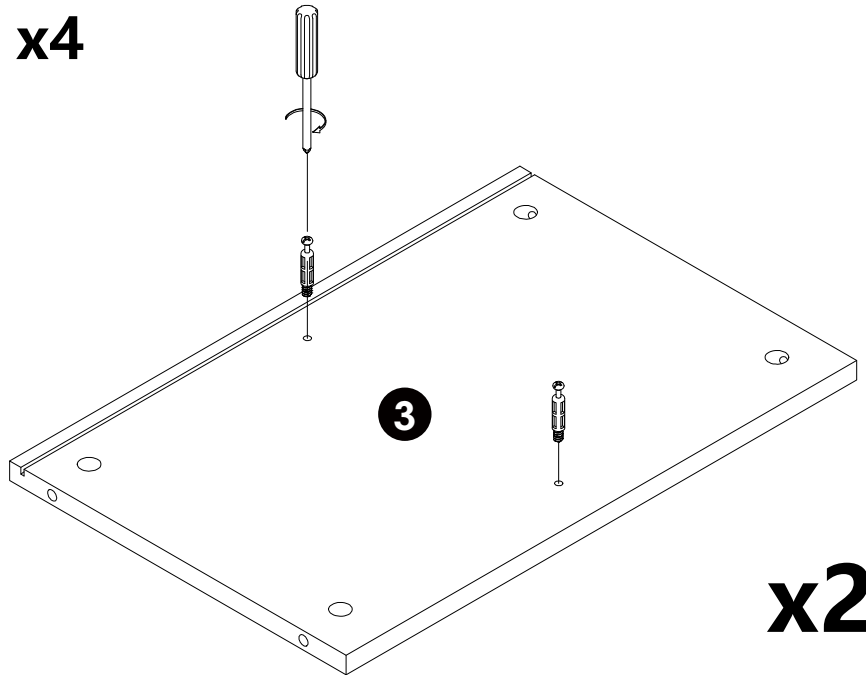
B x8



4

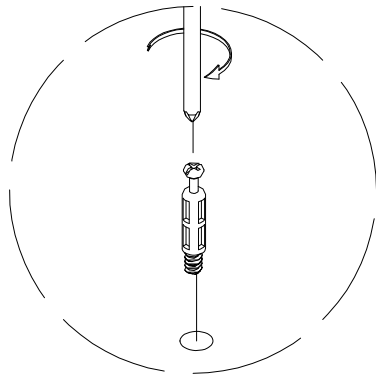
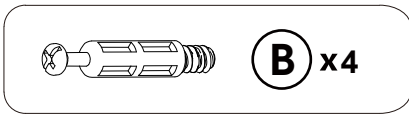


B x4

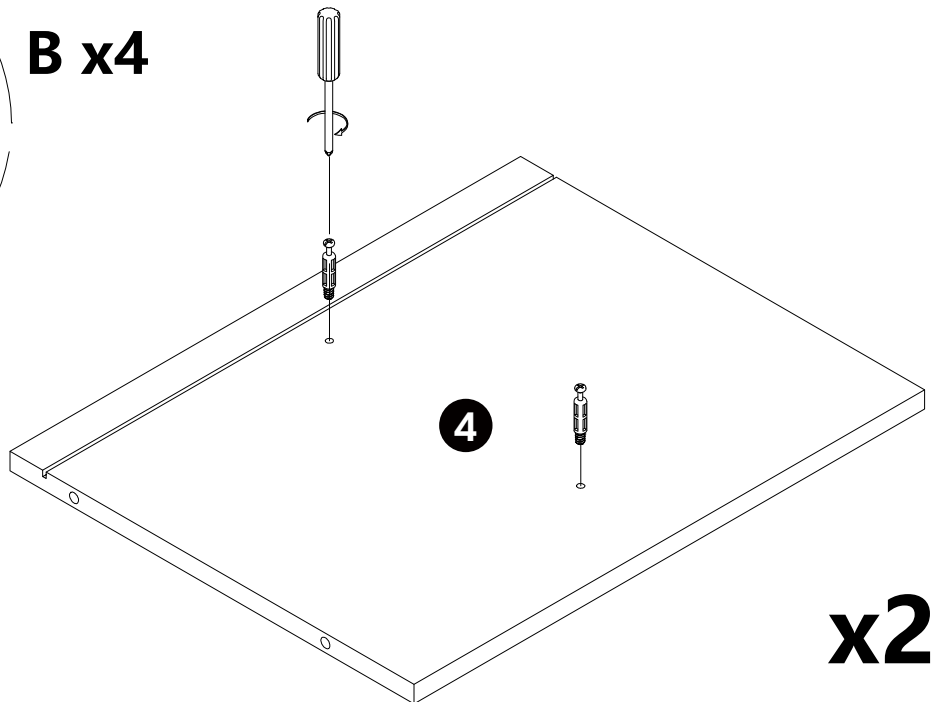


x2

5

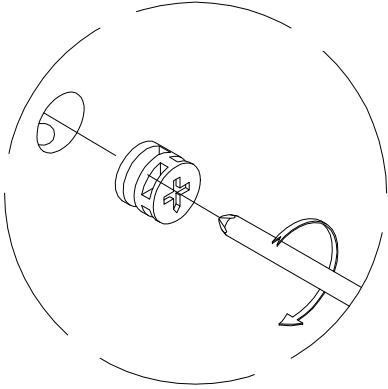
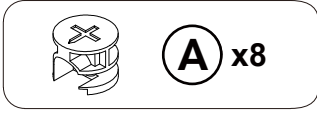


B x4

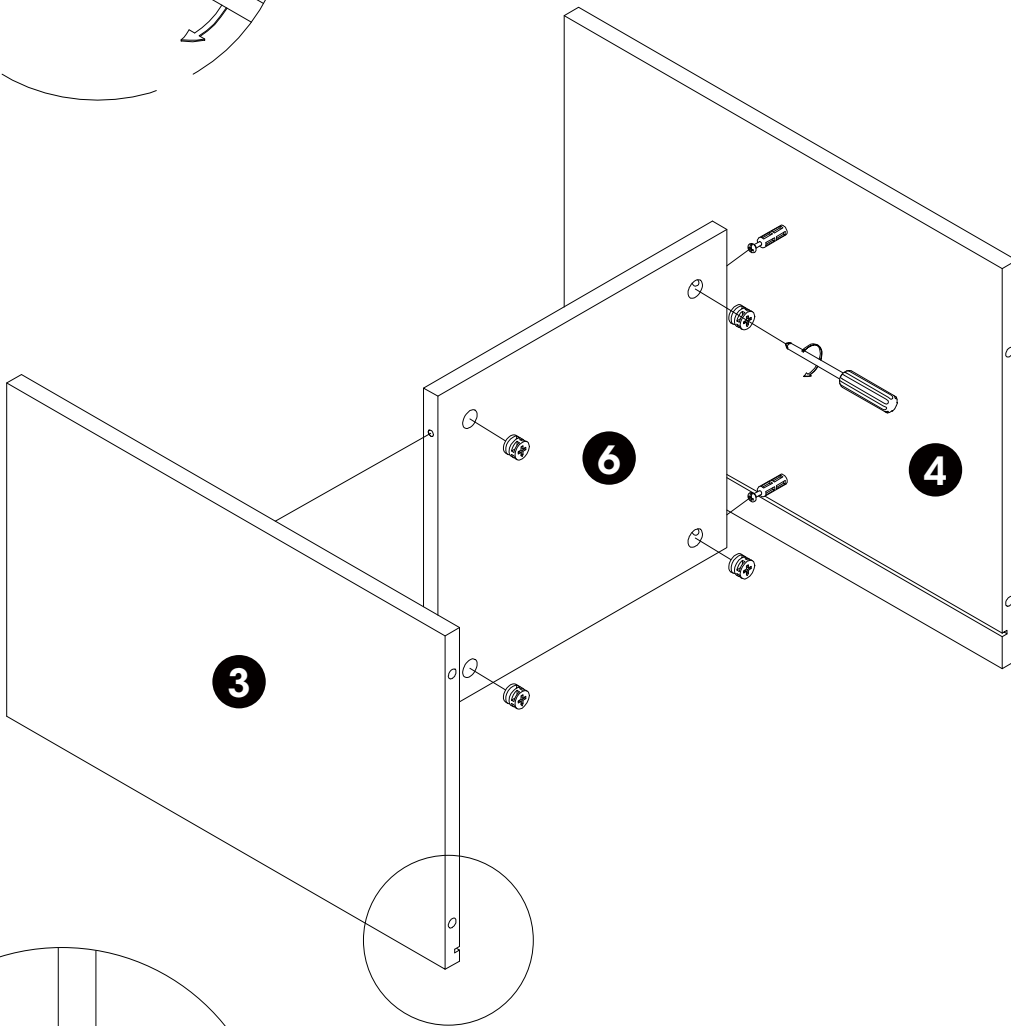


x2

6

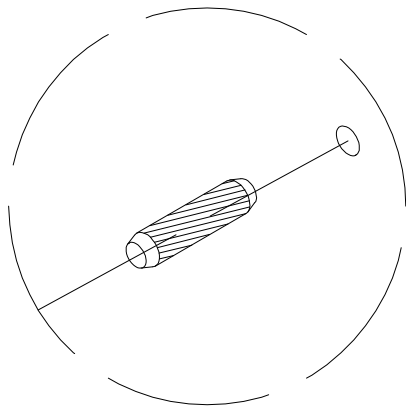
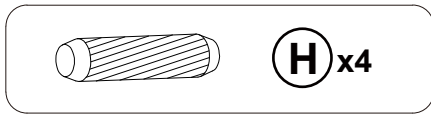


A x8

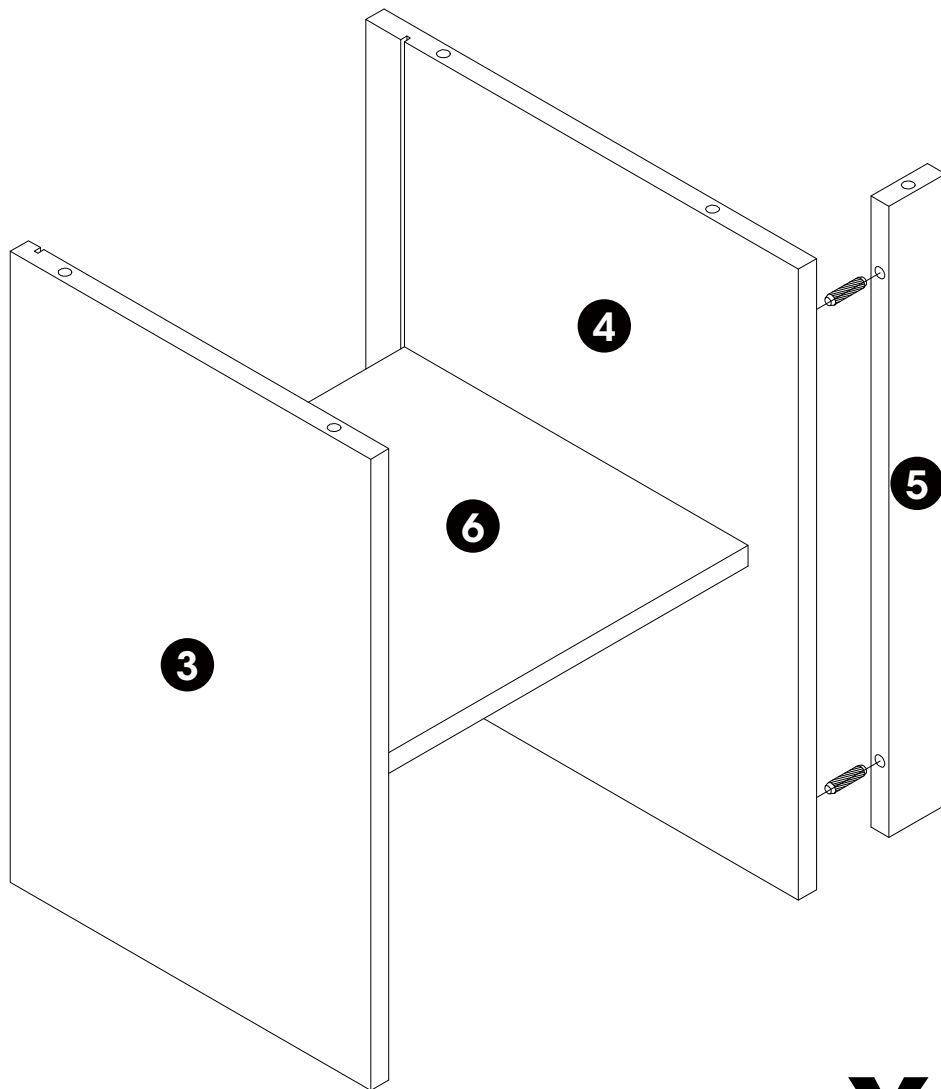


x2

7



H x4



x2

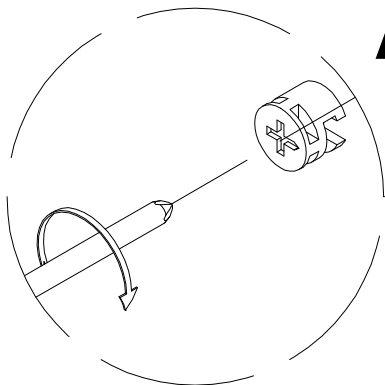
8



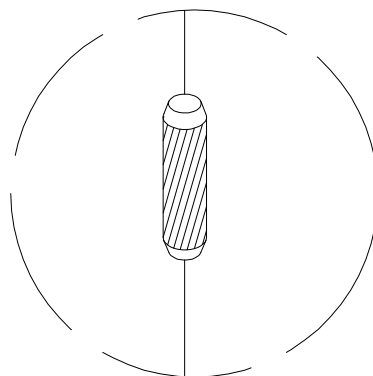
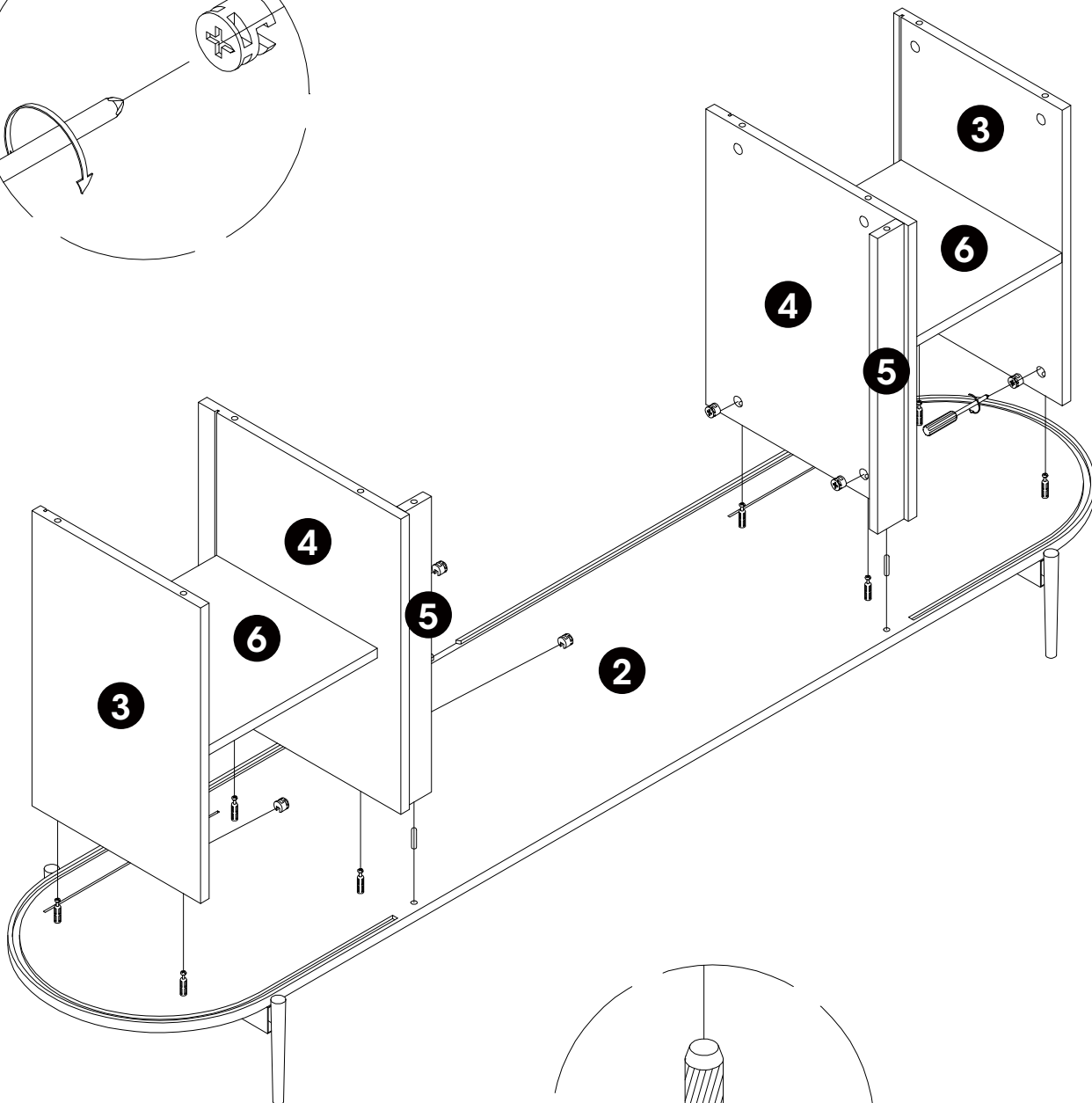
A x8



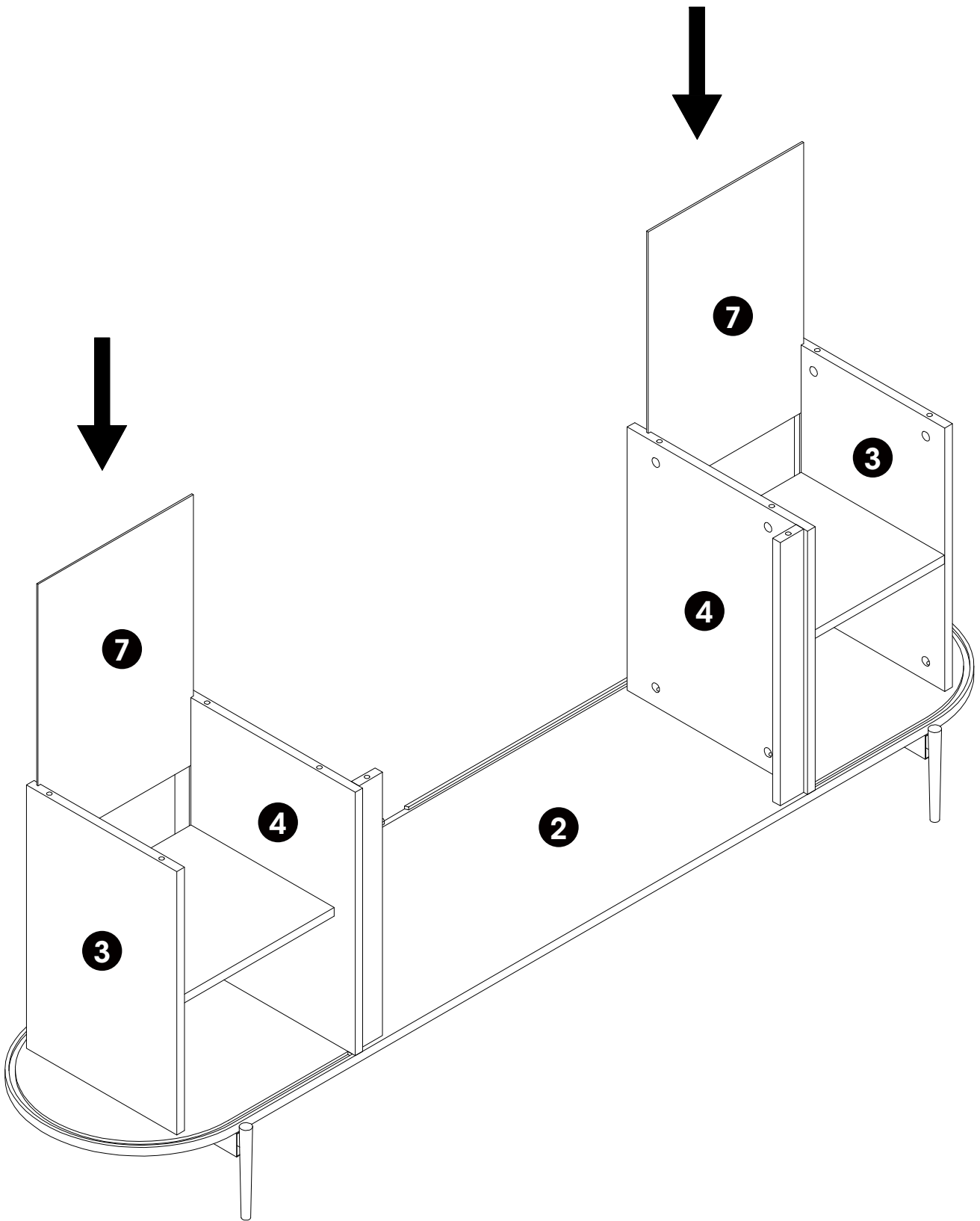
H x2



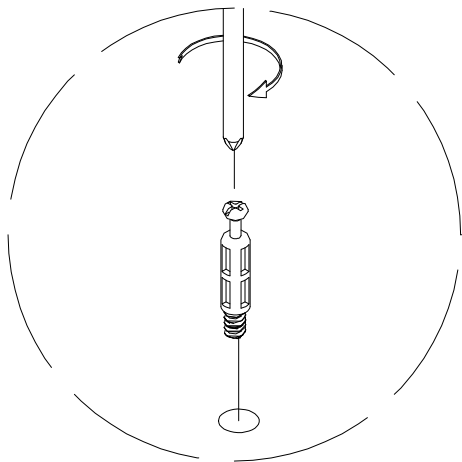
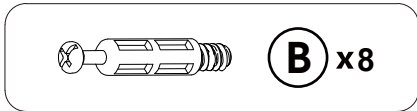
A x8



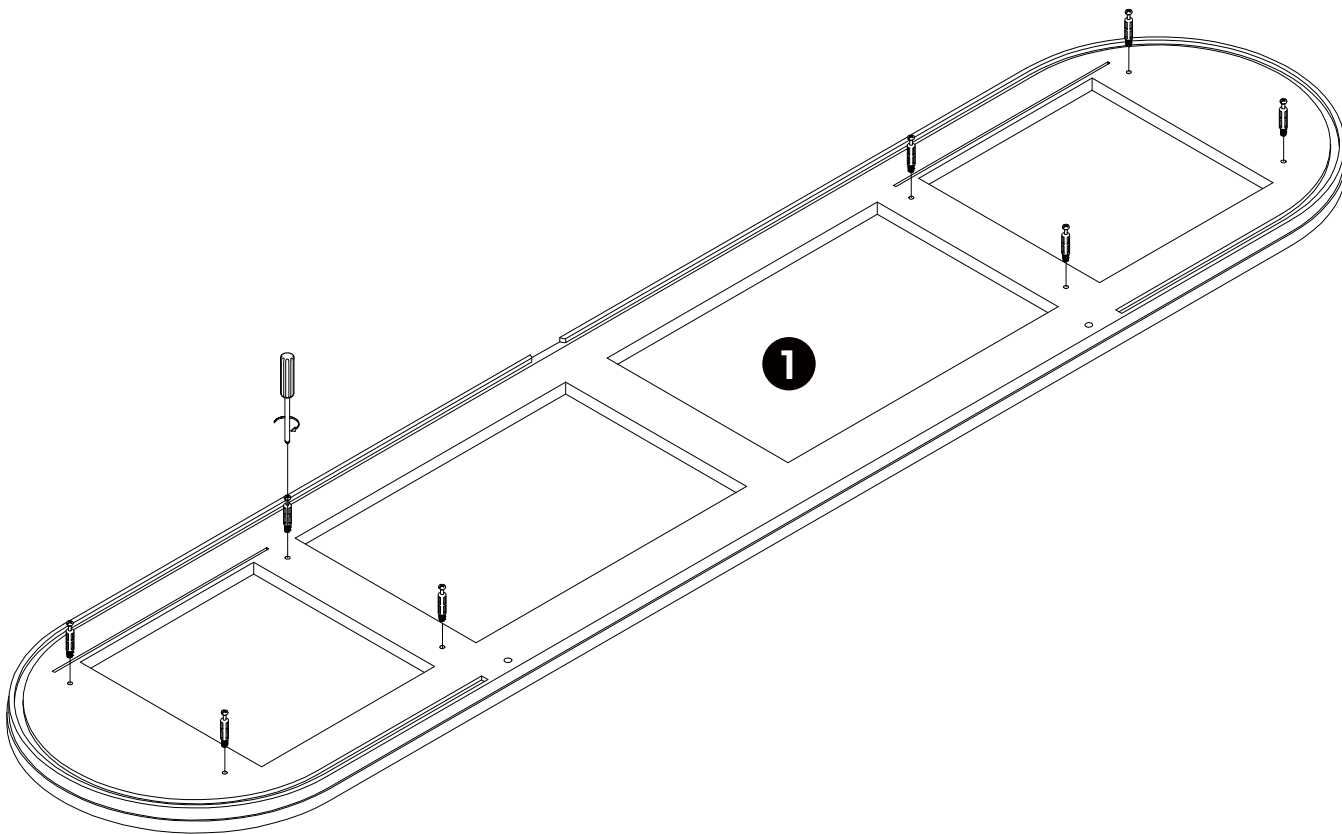
H x2



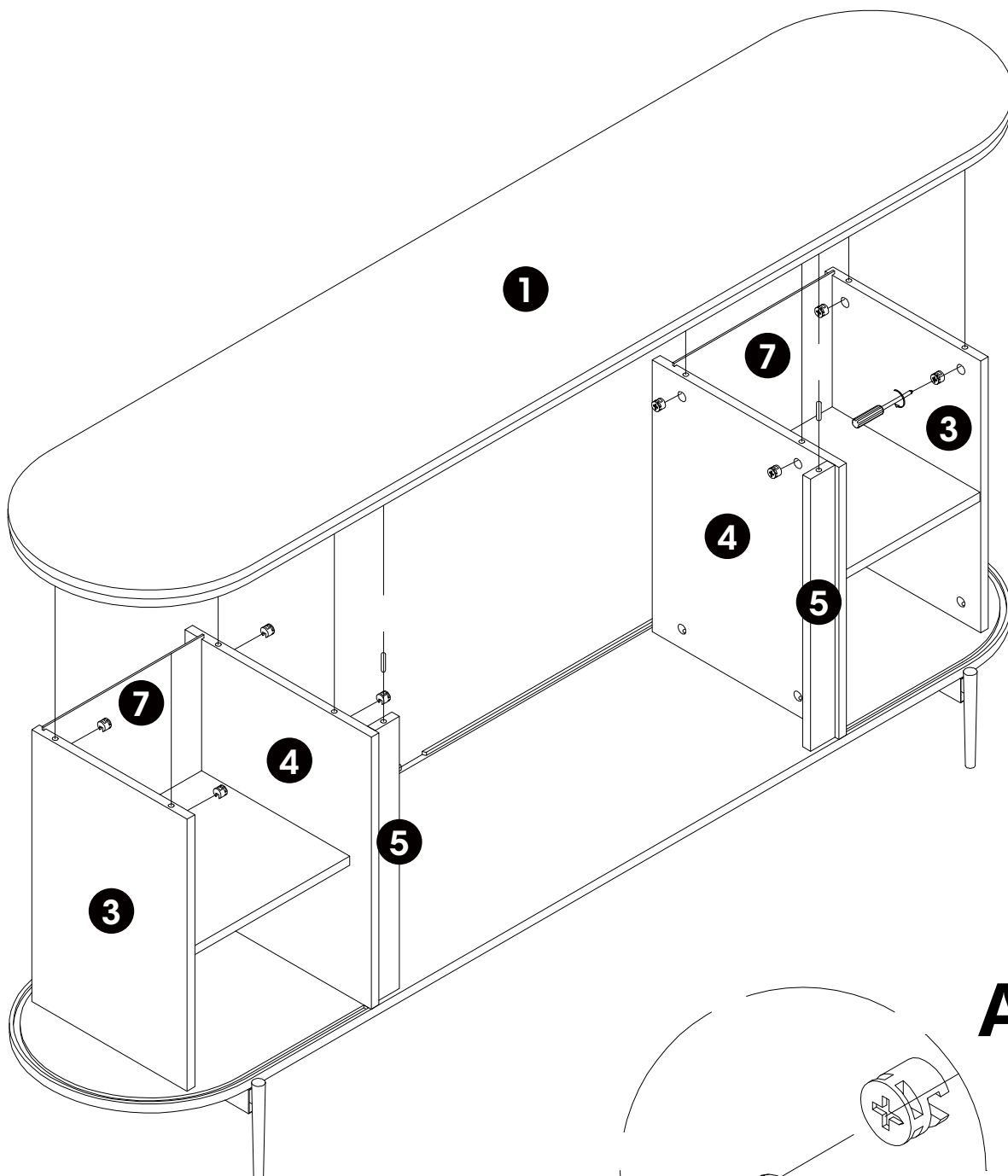
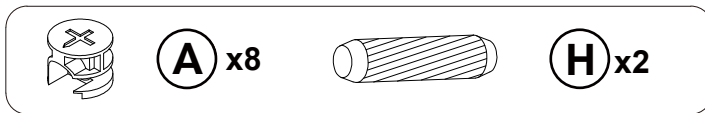
10



B x8

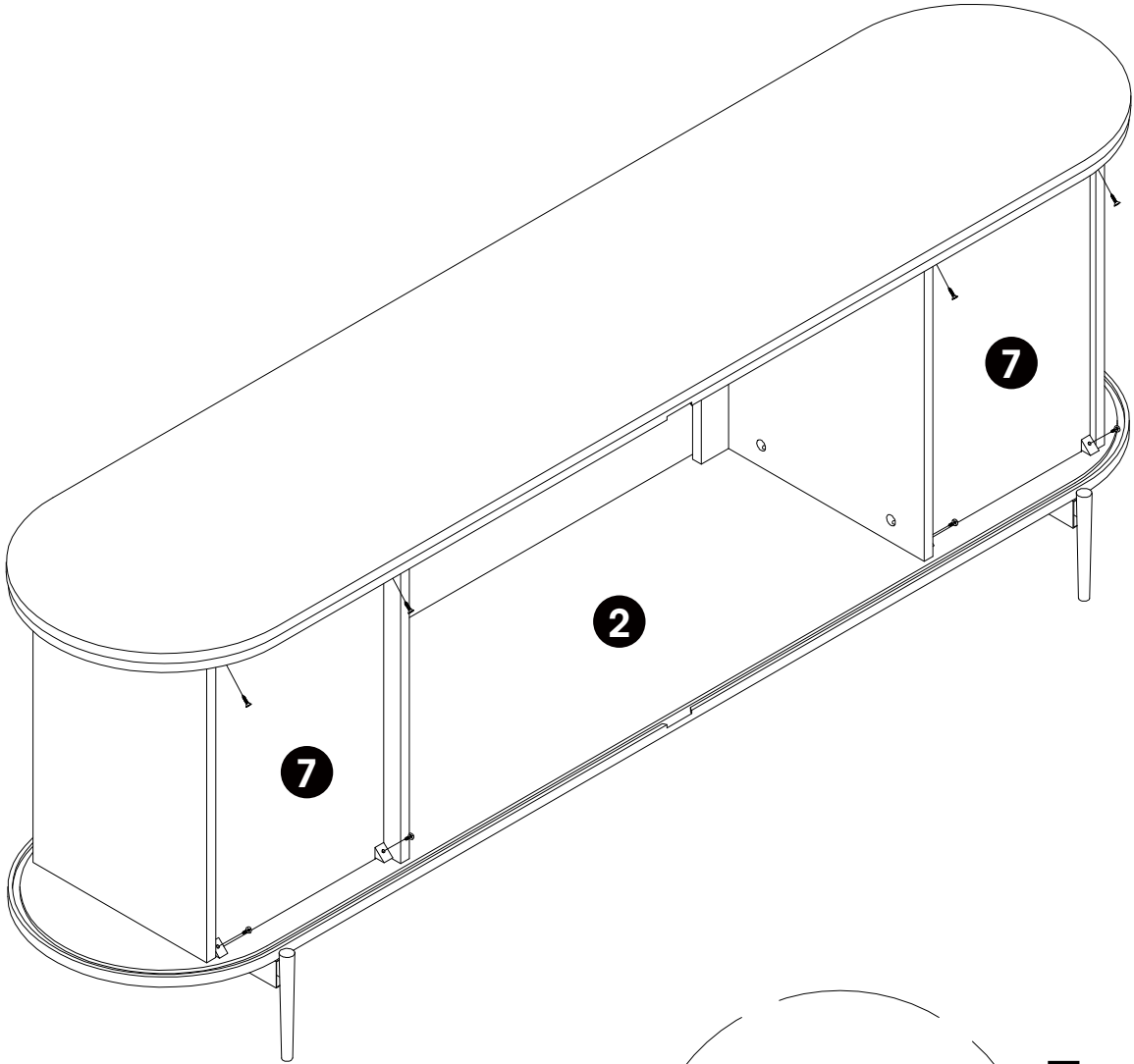
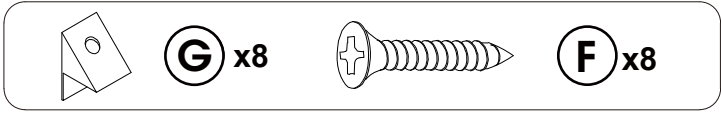


11

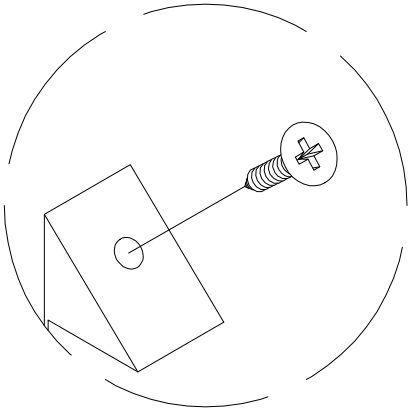


A x8

12

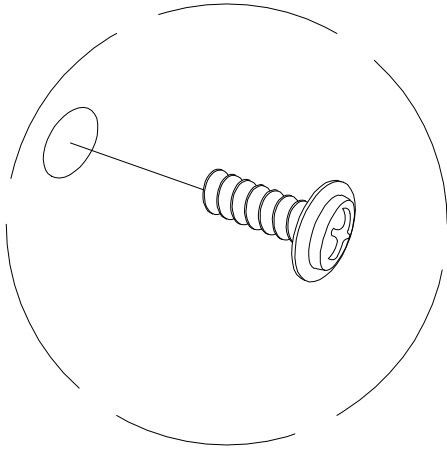
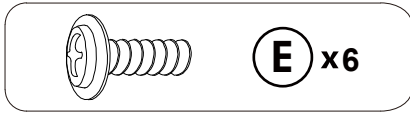


G x8

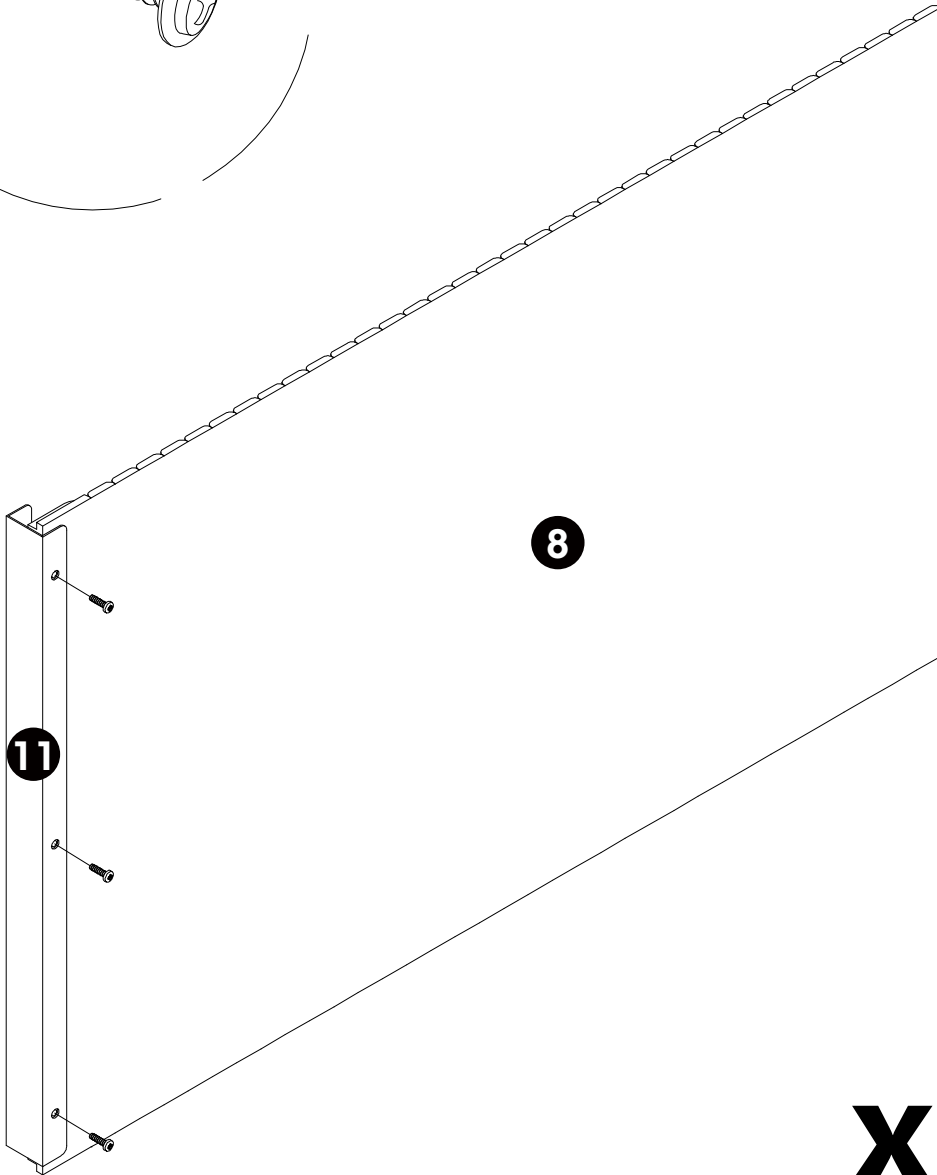


F x8

13

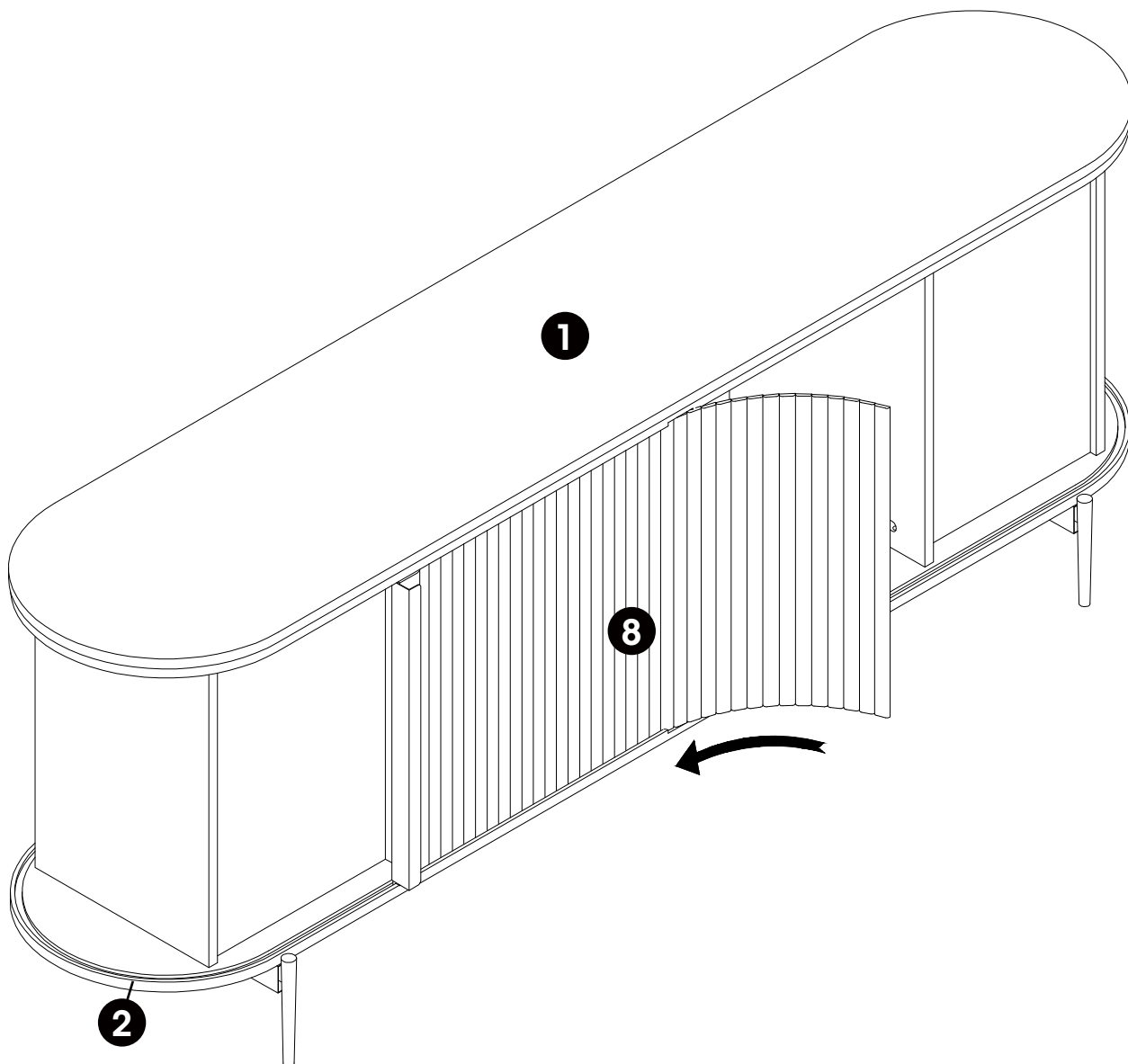


E x6



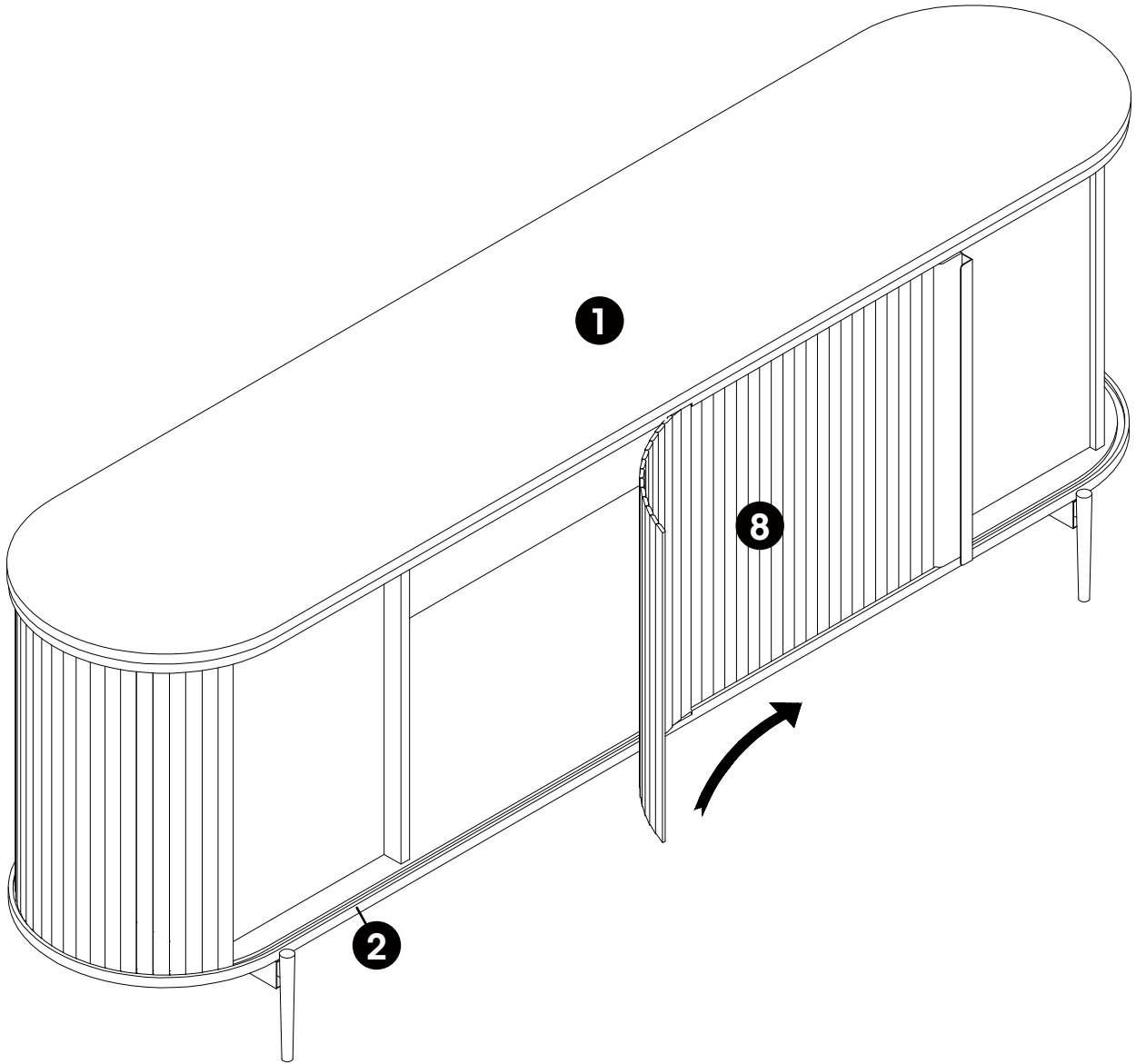
x2

14



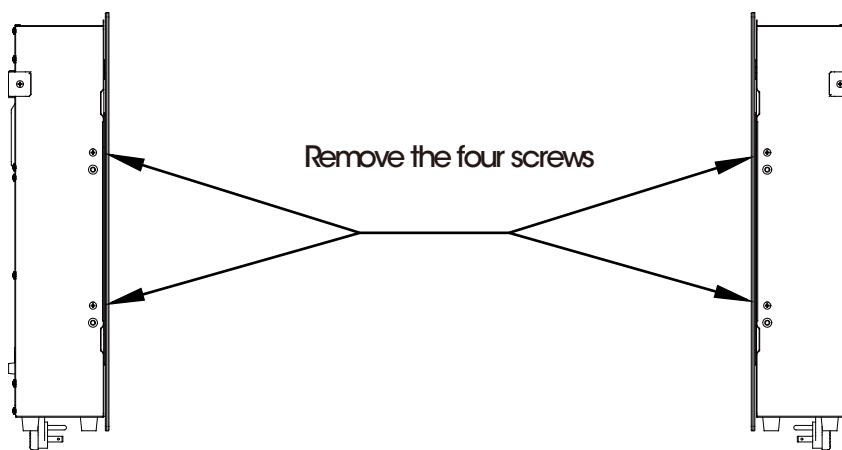
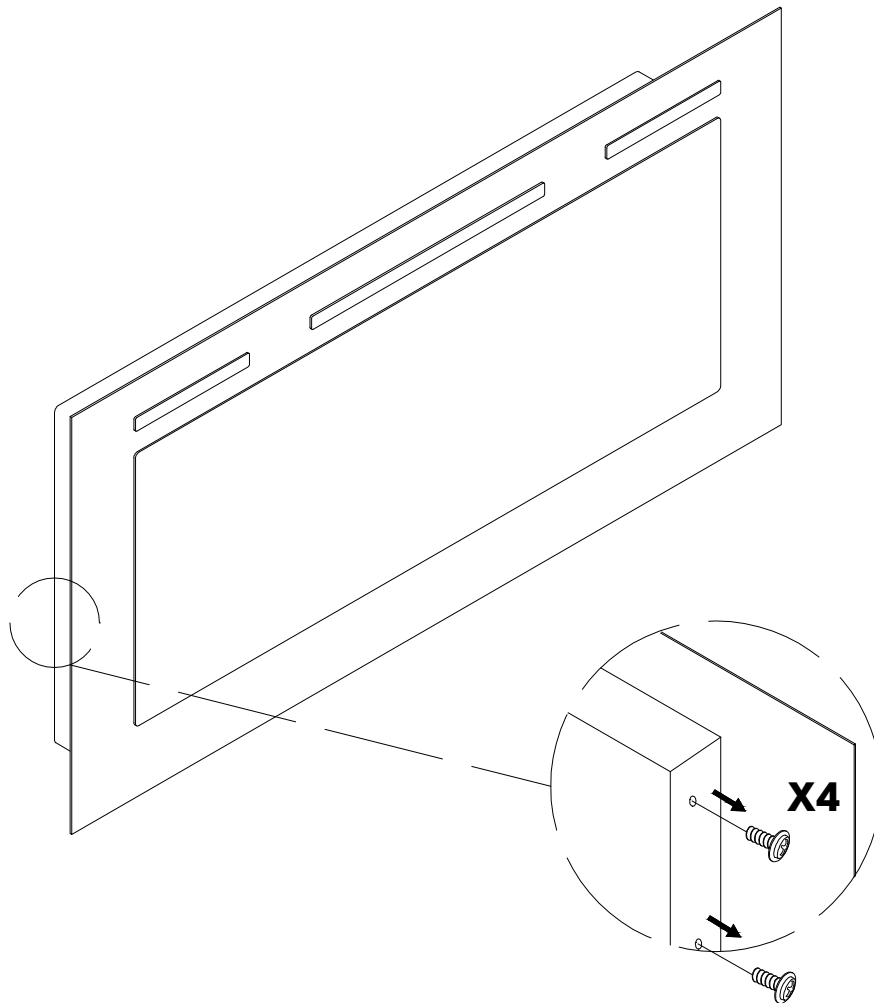
Push 8 into the gap between 1 and 2.

15



Push 8 into the gap between 1 and 2.

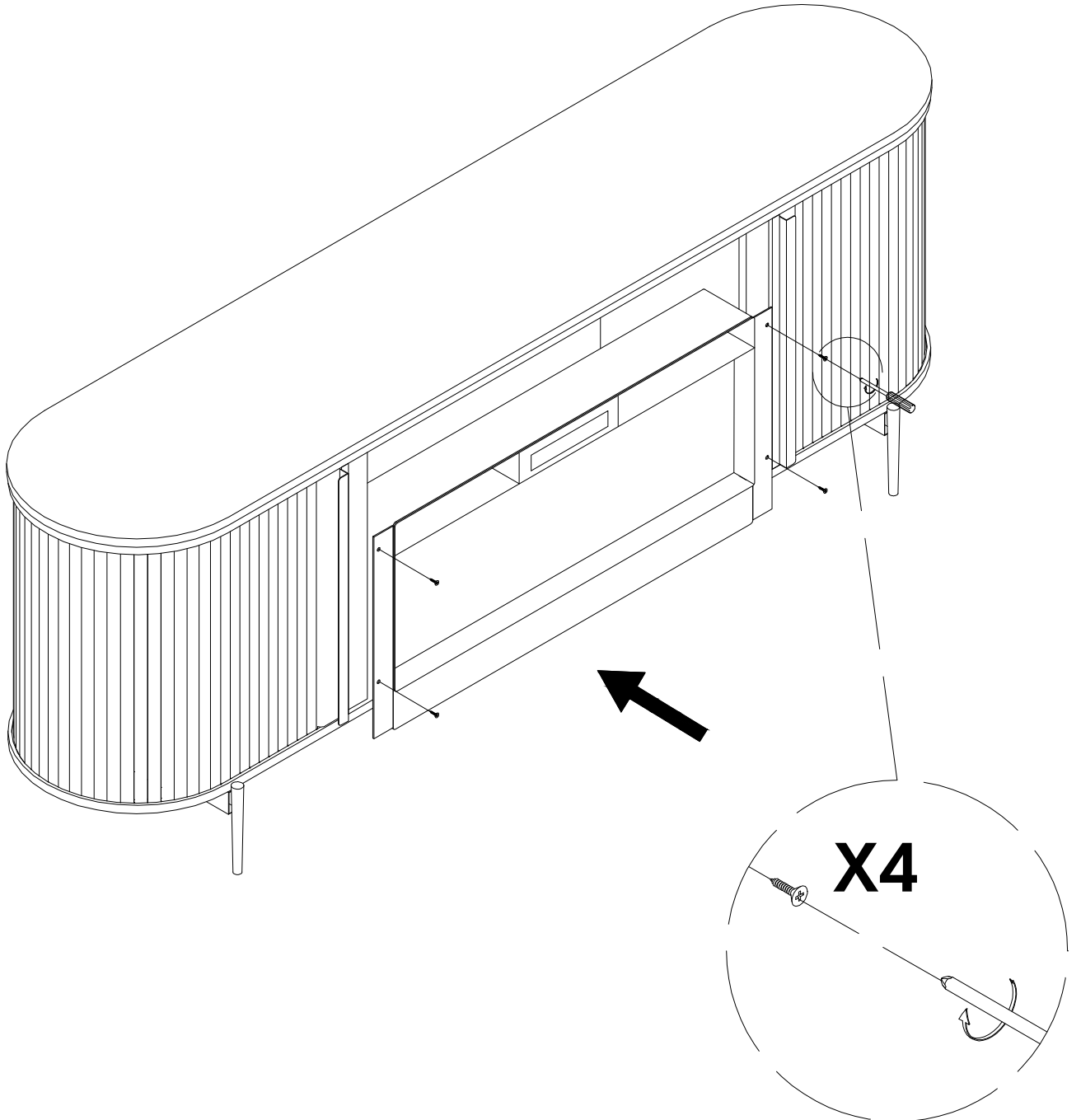
16



Remove four silver screws from the sides of the heater, two screws on each side.
Remove two screws from the front of the heater. Remove the tempered glass by lifting it from the lugs on the side.

17

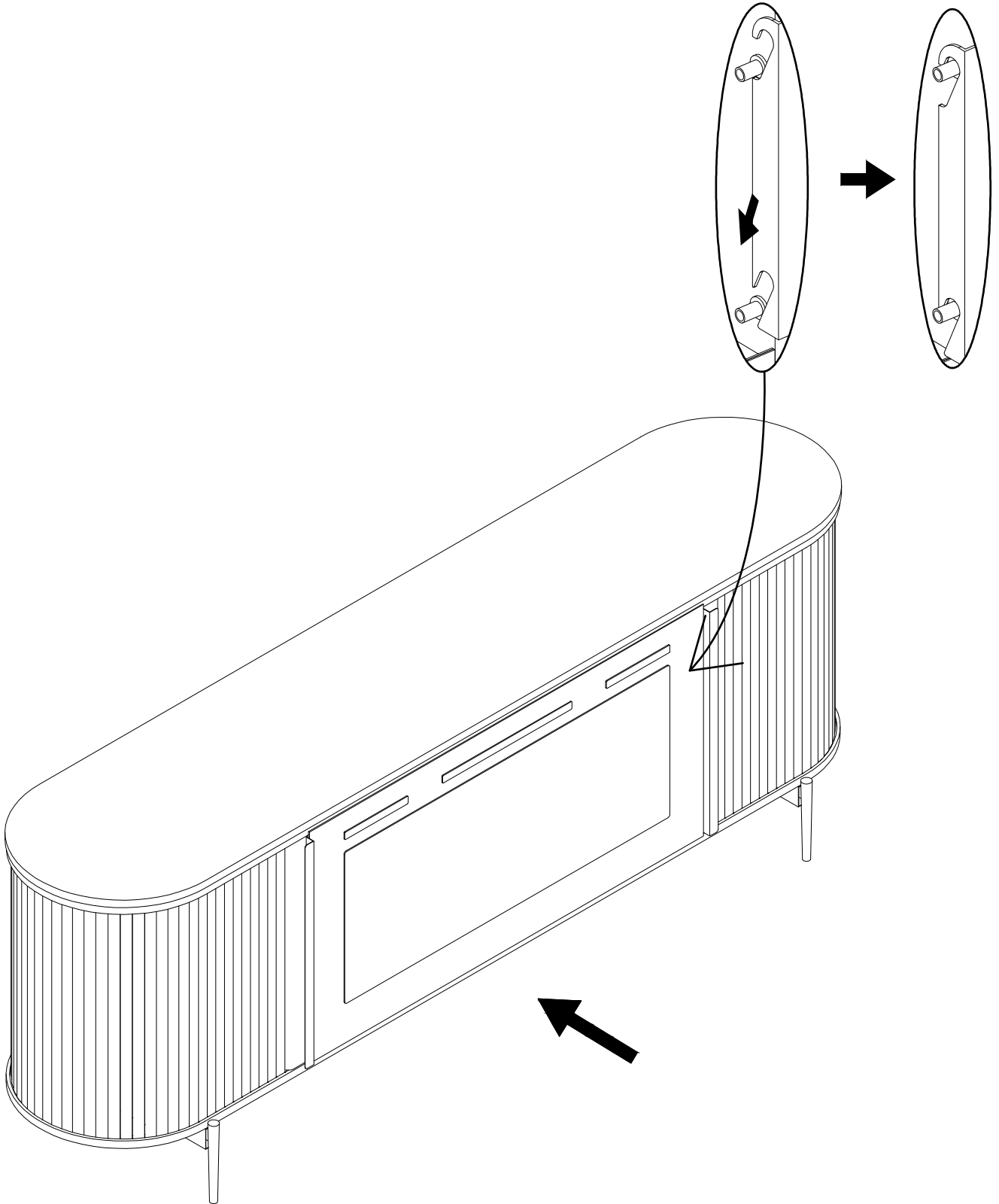
Take the glass from the appliance first, the gently put the appliance to the TV Stand by two persons.

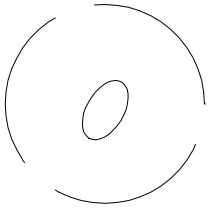
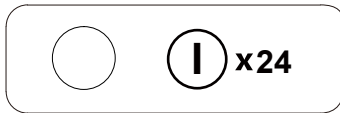


Fix the appliance to the TV stand with 4 silver screws according to the hole position

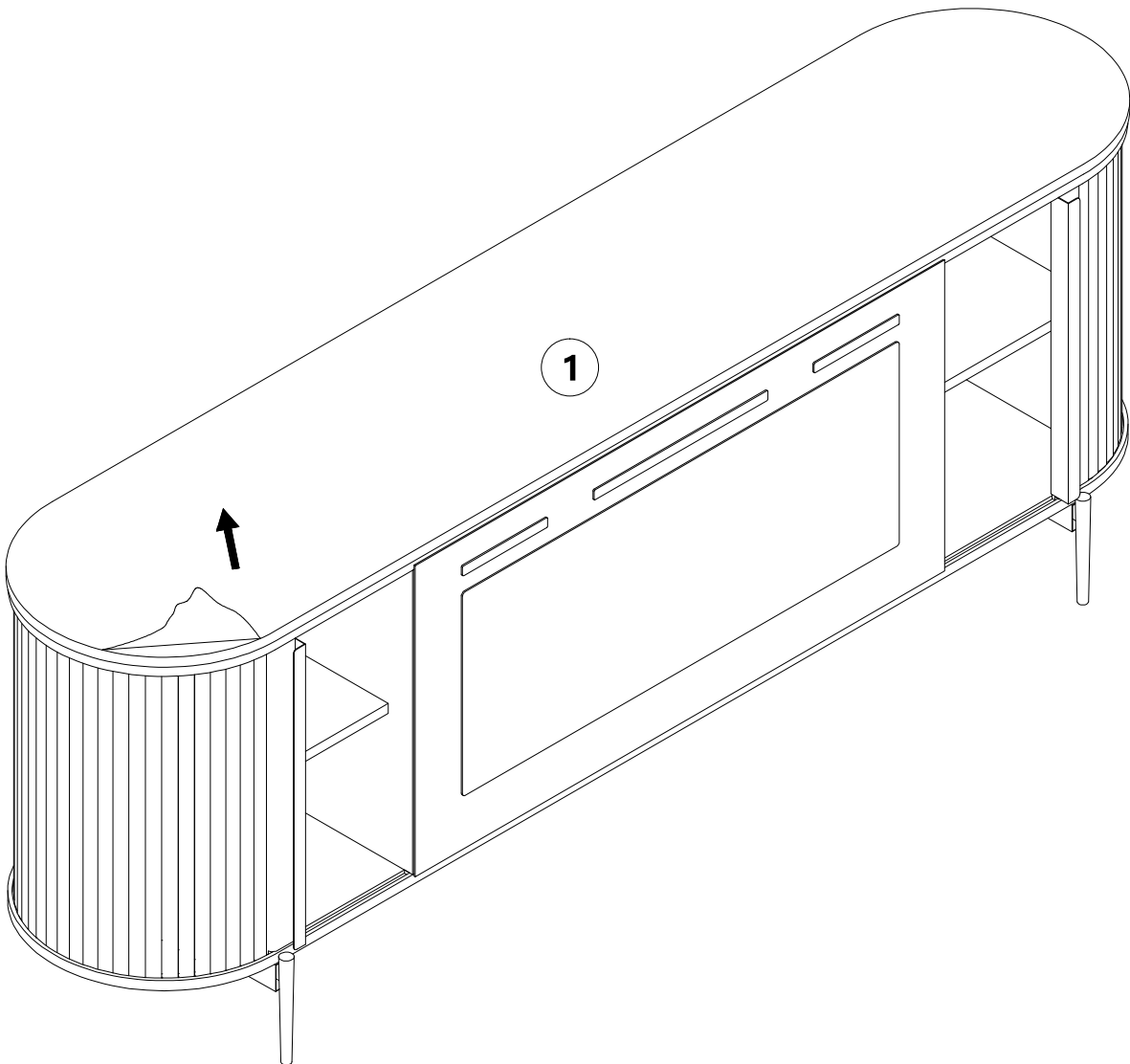
18

Place the front glass surround over the front of the fire aligning the slot in the bracket at each side of the glass panel with the lugs on the sides of the fire .

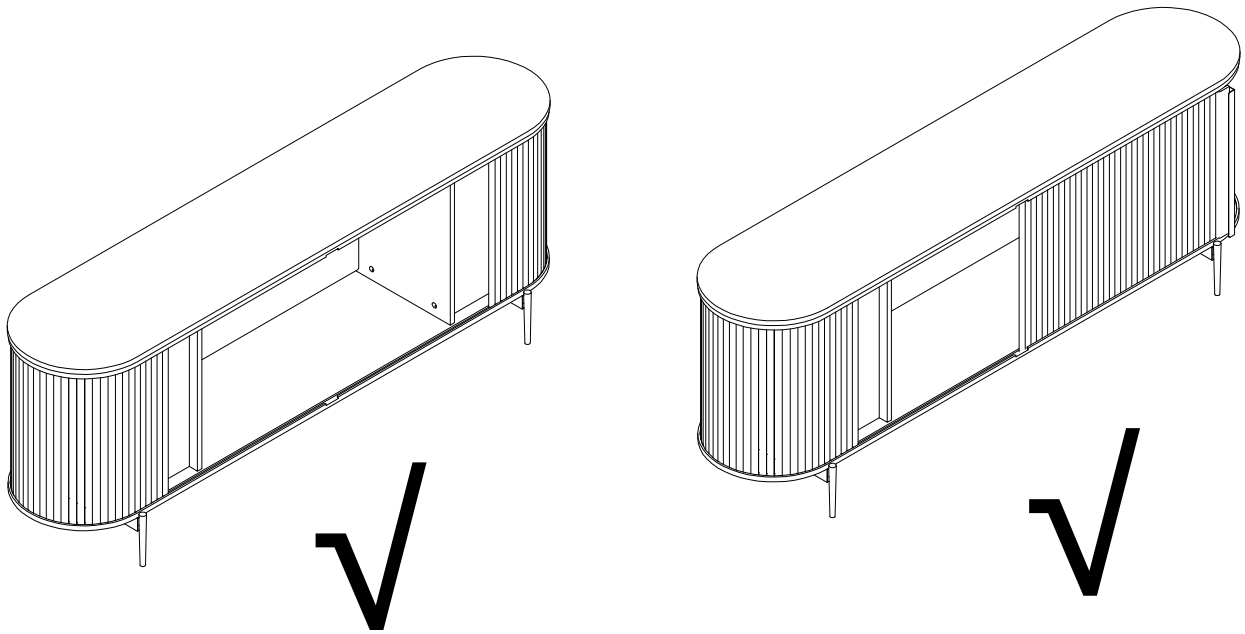


19**I x24**

For aesthetic purposes, you can use I to cover the exposed hardware holes as needed.



Peel off the film on the front of ① . If there are any remaining marks, just wipe it with a damp towel after installation and a red label will be attached "Please peel off the film for highlighted surface."



Note: When working with the fireplace, for safety reasons, sufficient space must be left behind the cabinet for ventilation and heat dissipation.

