

NOTICE

- * Please make sure that you have all parts indicated and they are in good condition before you begin assembly of this item. Refer to part list and hardware list below for guidance.
- * This item should be assembled on a soft surface to prevent scratching the finish during assembly.
- * This item may require periodic tightening.
- * If you are having difficulty, our friendly Customer Care team is always here to help.



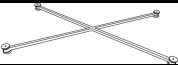

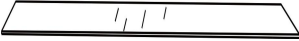




PREPARATION

- * Before beginning assembly of product, make sure all parts are present. Compare parts with part contents list and hardware contents list.
- * If any part is missing or damaged, do not attempt to assemble the product.
- * Estimated Assembly Time: **10 minutes**.
- * Tools Required for Assembly (included): **Allen Key**

CARE AND MAINTENANCE

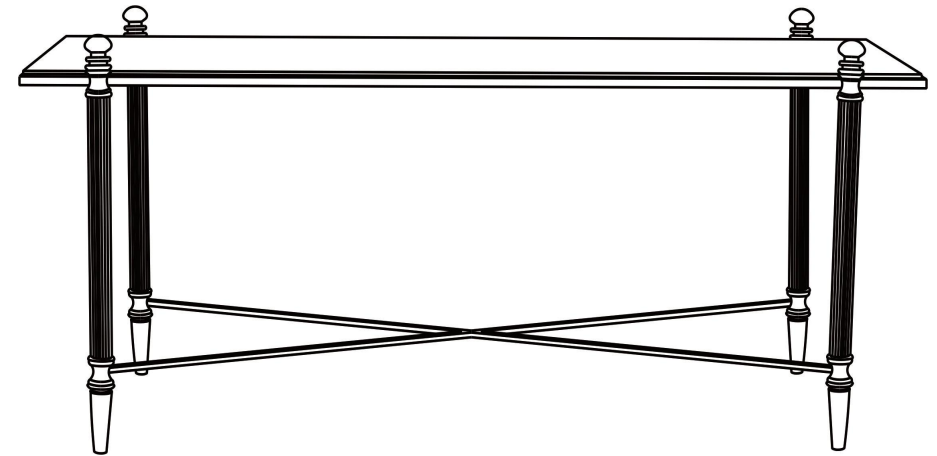
Dust with a soft, dry cloth. Do not use abrasive cleaner. To clean glass, spray a small amount of glass cleaner onto a lint-free cloth and wipe glass clean.

Part List and Hardware List

Piece	Description	Picture	Quantity
A	Feet		4X
B	Top Frame		1X
C	Shelf		1X
D	Leg		4X
E	Top Glass		1X
HW1	Allen Bolt (M6x1x12mm)		8X
HW2	Glass mat		4 X
HW3	Feet Cap		4 X
HW4	Allen Key		1X

Owner Manual

Product Dimensions: 31.5"W x 15.5"D x 19.8"H



⚠ WARNING ⚠

Weight Capacity-50LBS
Warning: Do not stand on Table
Warning: Do not over torque bolts.

Preparation

*Before beginning assembly of product, make sure all parts are present. Compare parts with package contents list and hardware contents list.

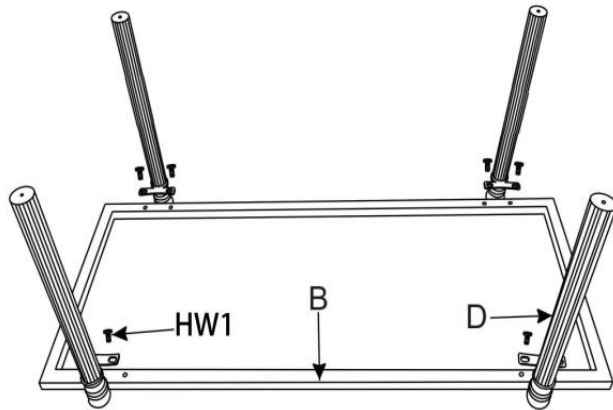
*If any part is missing or damaged, do not attempt to assemble the product.

*Estimated Assembly Time: 10 minutes.

*Tools Required for Assembly (included): Allen Key

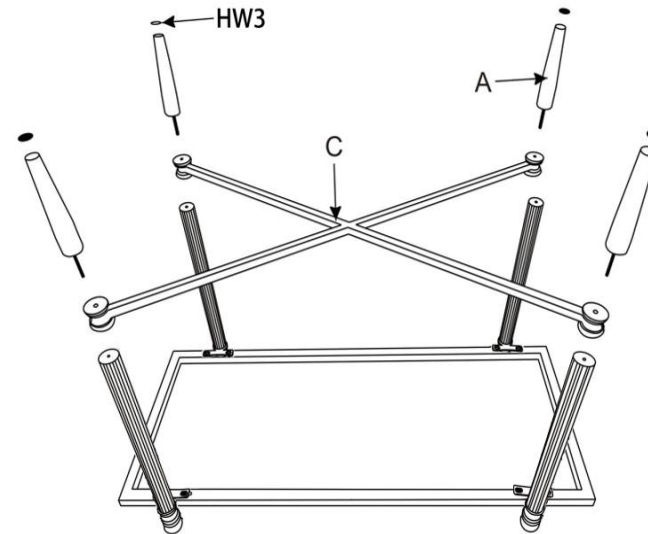
* If you are having difficulty, our friendly Customer Care team is always here to help. Please email customersupport@safavieh.com

1



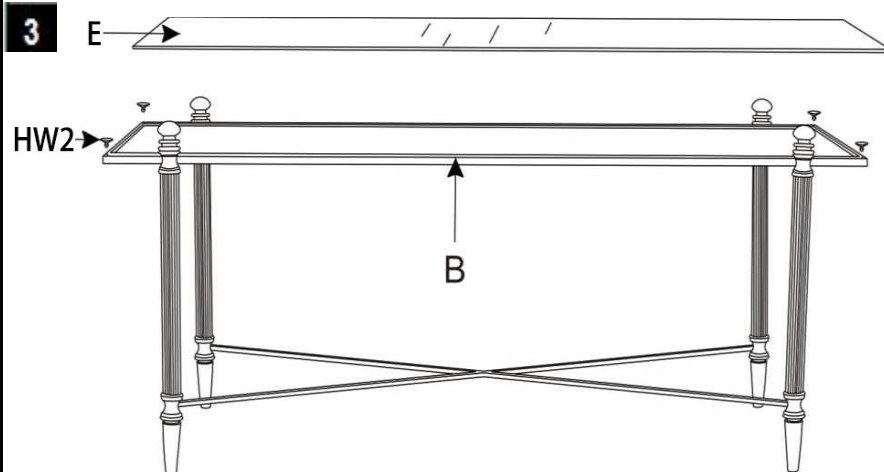
Attach top frame to legs, use allen key to tighten all bolts

2



Attach legs, shelf and feet together

3



Put the glass on top frame