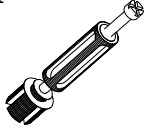

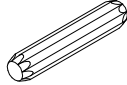

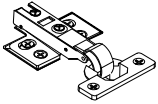

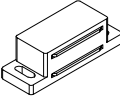
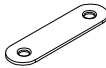
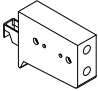
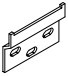
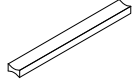


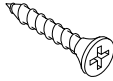
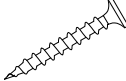
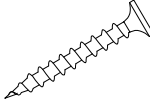

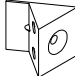
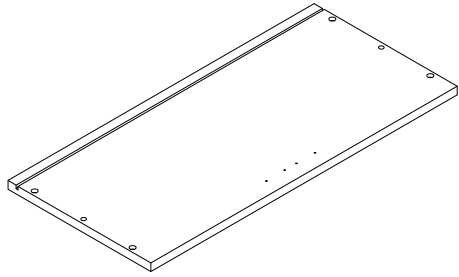


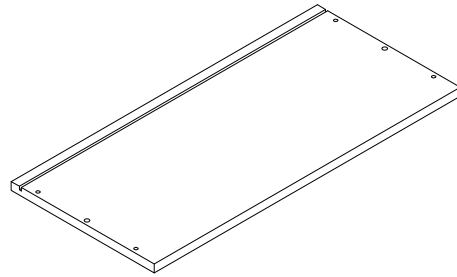
A  12PCS	B  12PCS	C 8*40  6PCS	D 7*50  4PCS	E  4PCS	F 730MM  1PCS	G  2PCS	H  2PCS	I  2PCS	J  2PCS
K 96MM  2PCS	L 4*18  4PCS	M 3*12  20PCS	N 3.5*14  28PCS	O 3.5*25  4PCS	P 4*50  4PCS	Q  4PCS	R  16PCS		

1



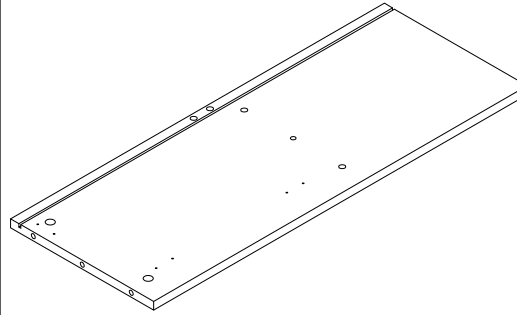
600*280 1 PCS

2



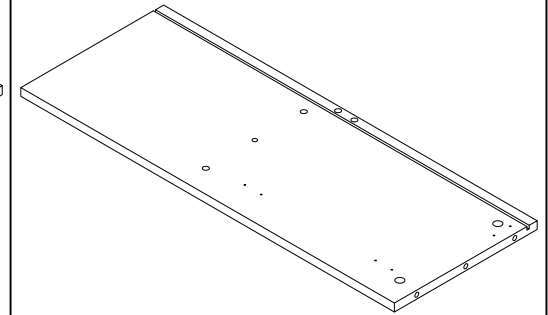
600*280 1 PCS

3



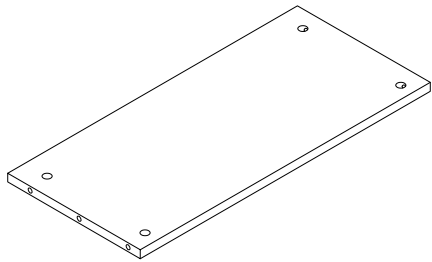
732*280 1 PCS

4



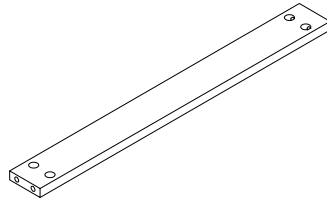
732*280 1 PCS

5



568*260 1 PCS

6



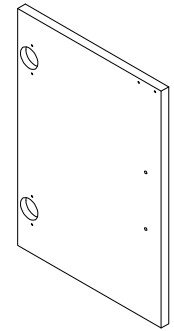
568*60 1 PCS

7



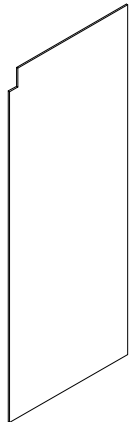
402*281 1 PCS

8



402*281 1 PCS

9



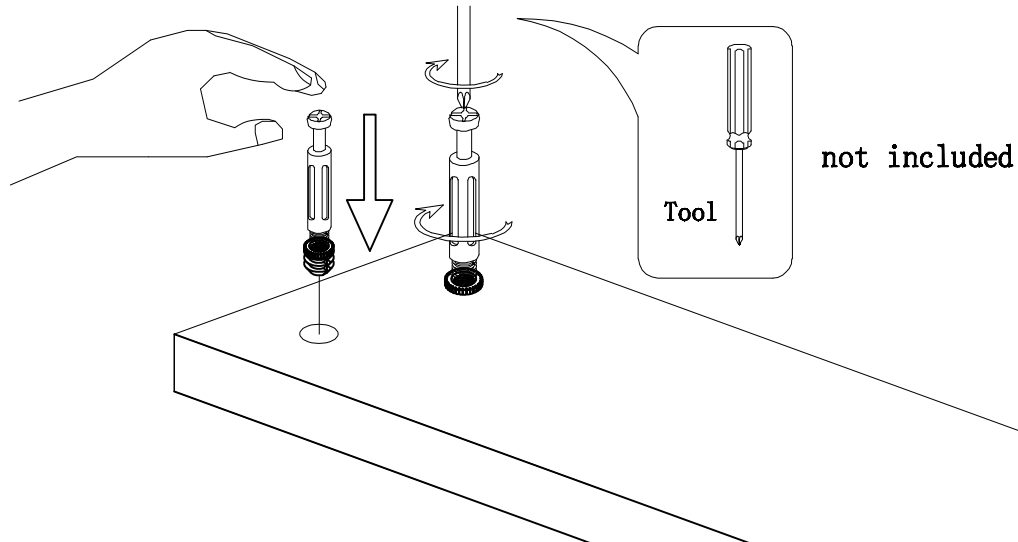
742*289 2 PCS



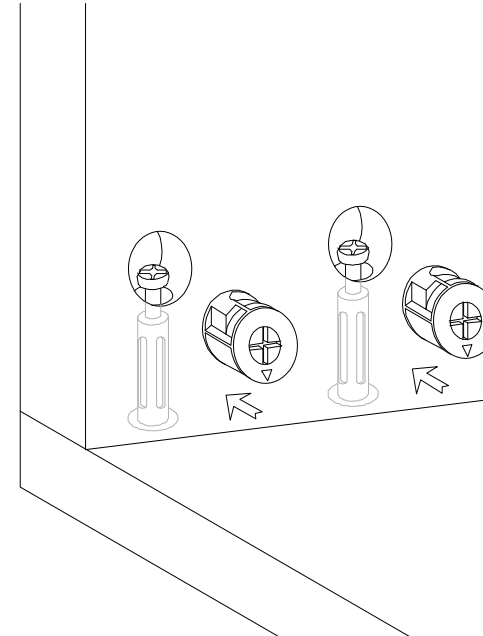
Hardware installation demonstration

NOTE: Please make sure "A" hardware tightened and can't be pulled out!

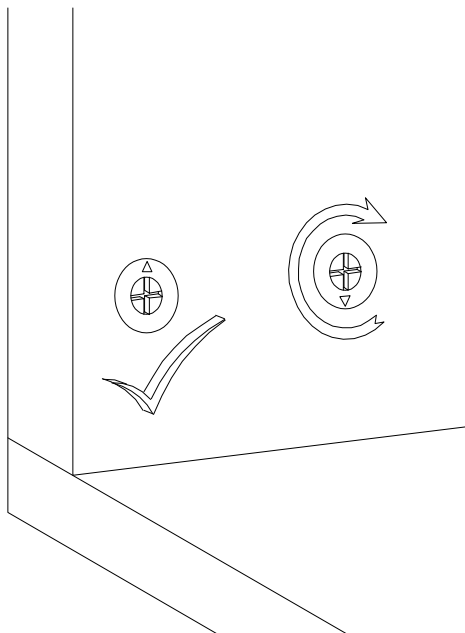
I



II



III

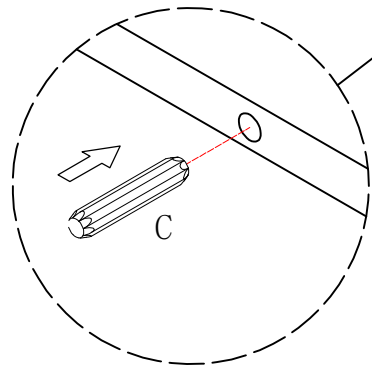
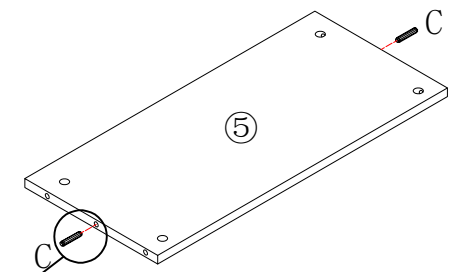
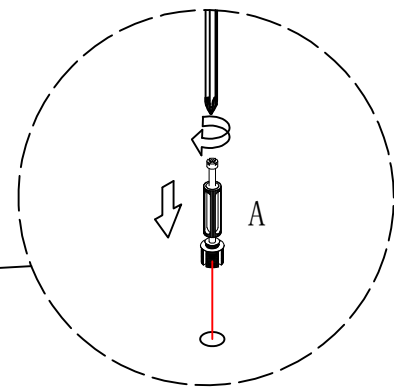
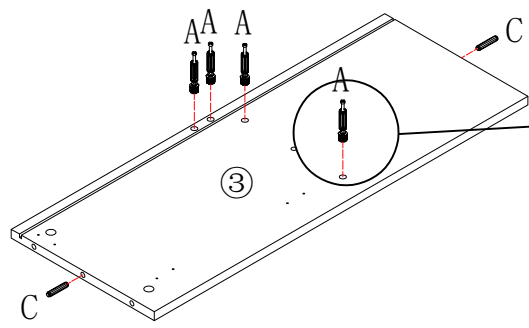
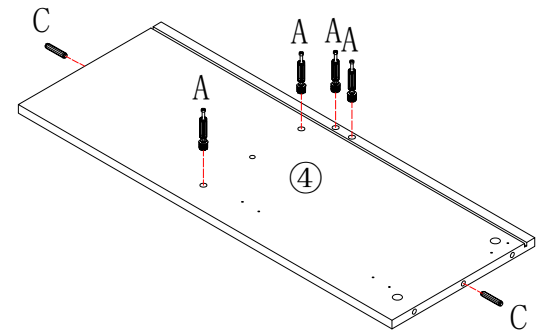
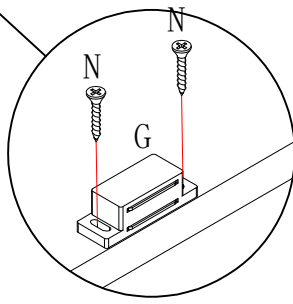
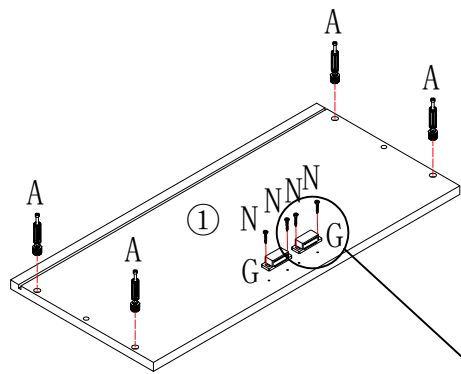






IV



Scan QR code for assembly video

1

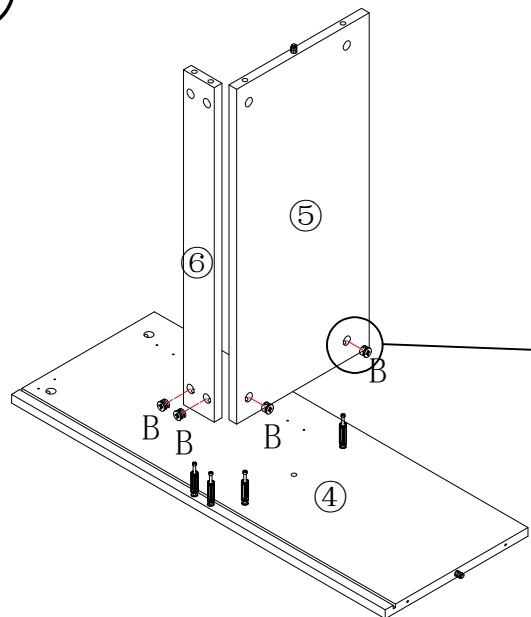


	A*12
	C*6
	G*2
	N*4

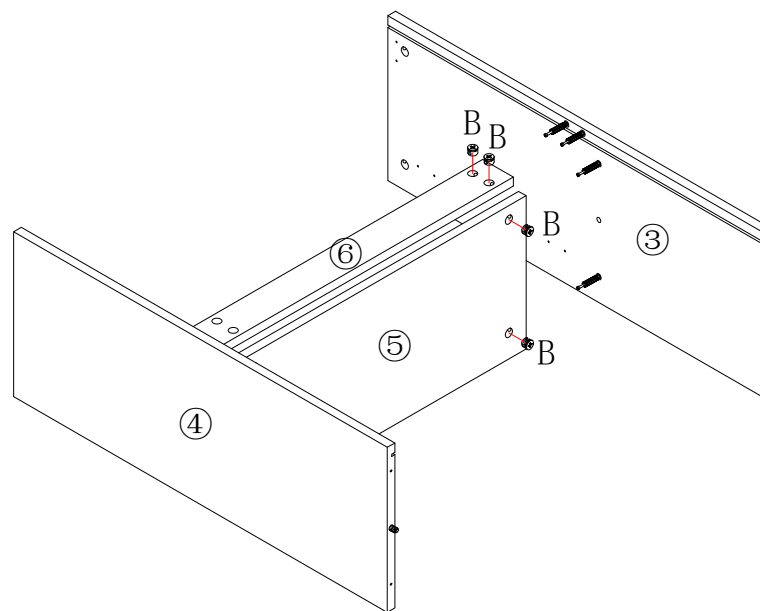
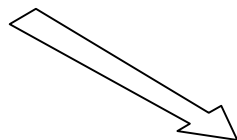
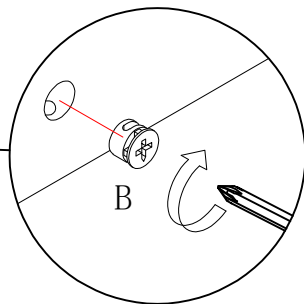
put A on board ①③④

put C on board ③④⑤

2



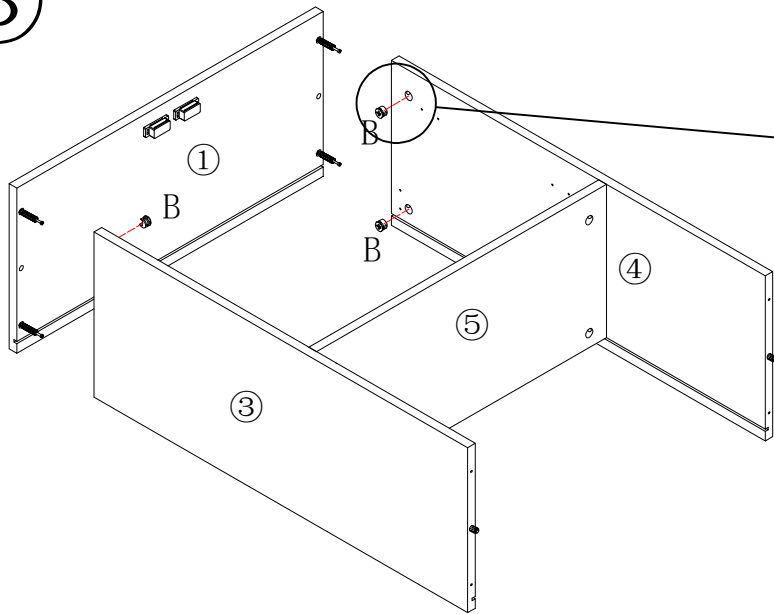
Make sure the arrow on the screw align to the hole on the side.



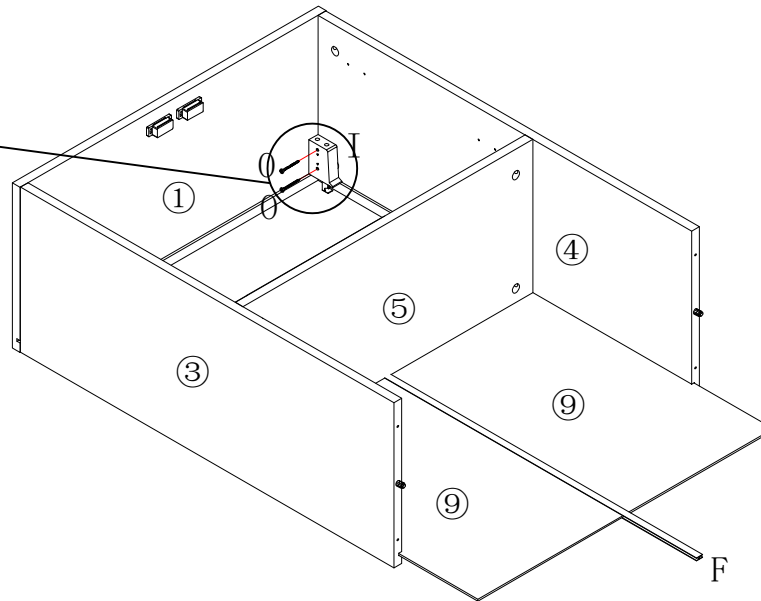
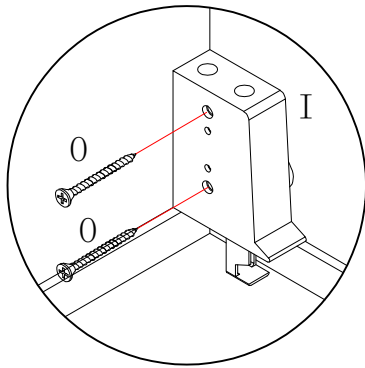
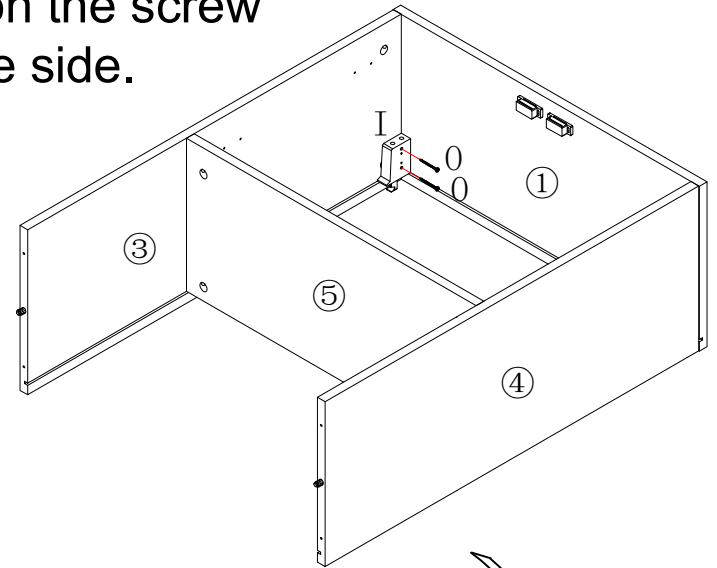
B*8

put B on board ⑤⑥





3



Make sure the arrow on the screw align to the hole on the side.

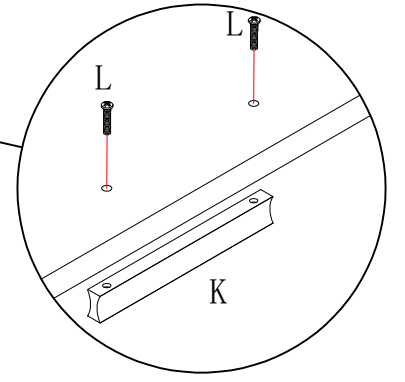
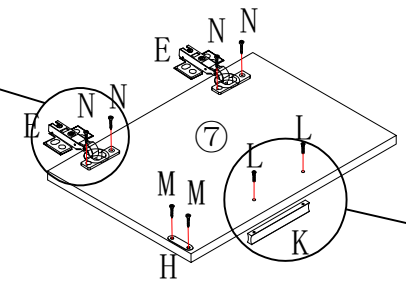
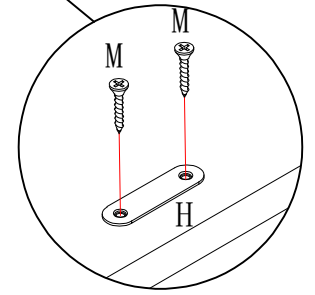
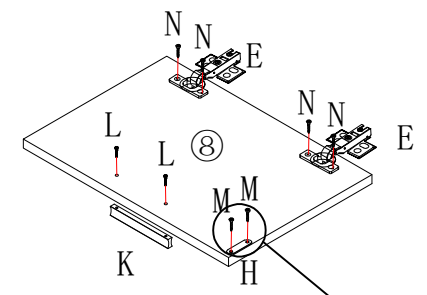
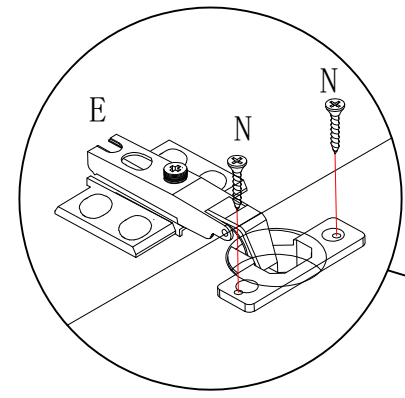
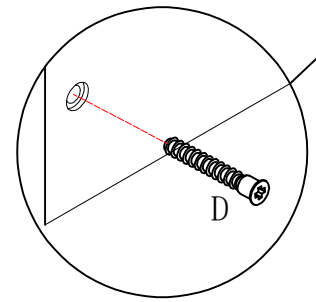
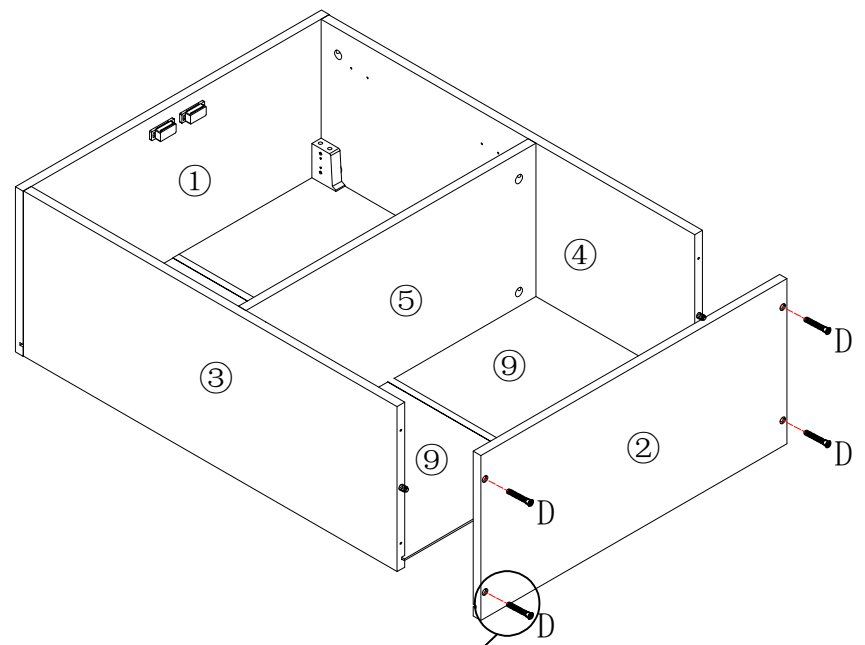



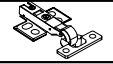





Rotate 90°

	B*4
	F*1
	I*2
	0*4

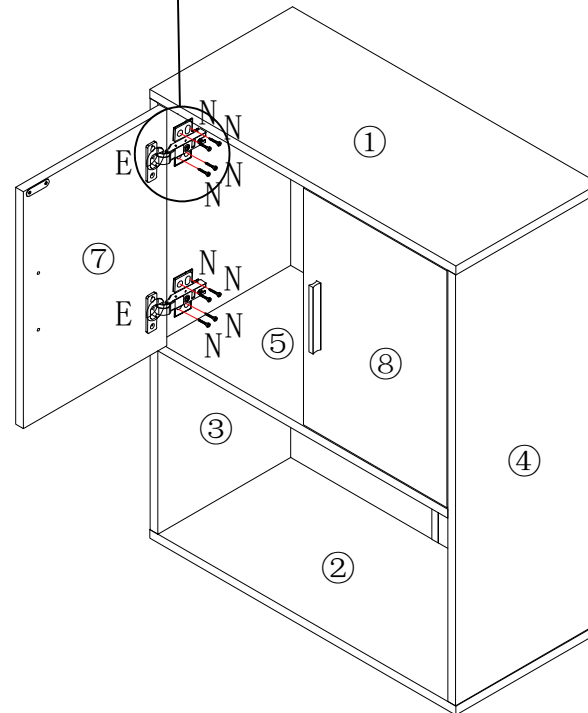
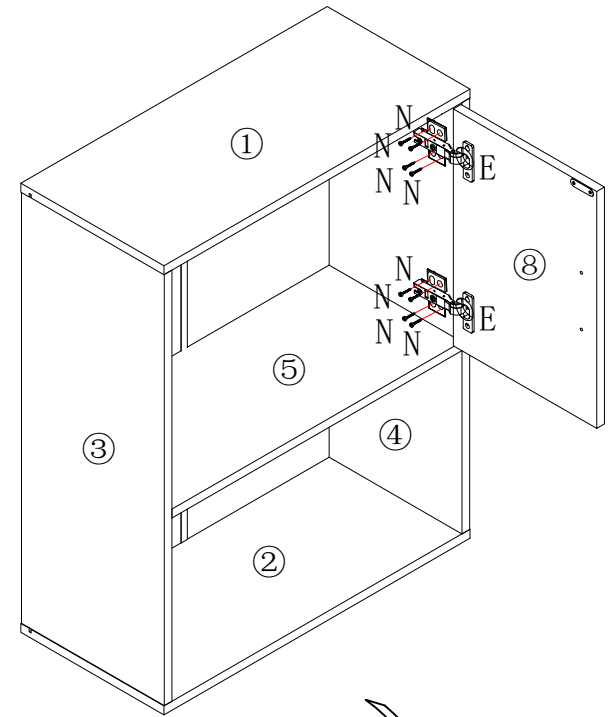
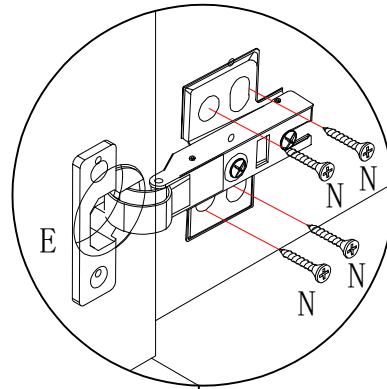
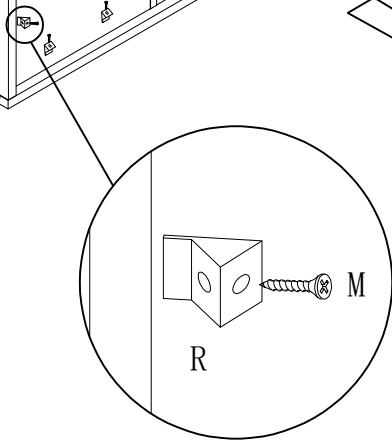
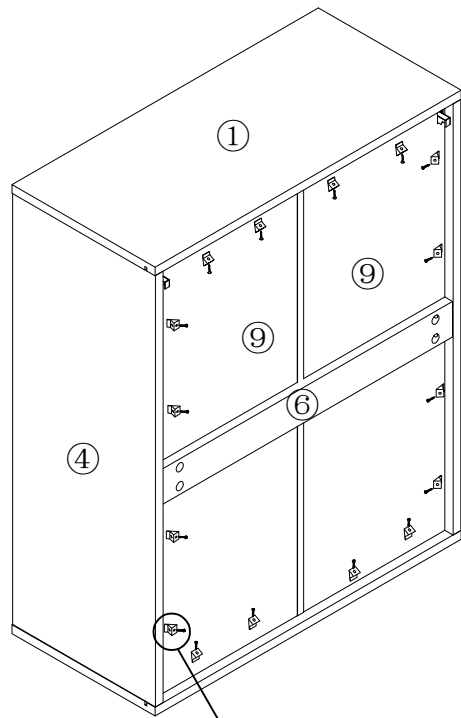
put B on board ③④

4






	D*4
	E*4
	H*2
	K*2
	L*4
	M*4
	N*8

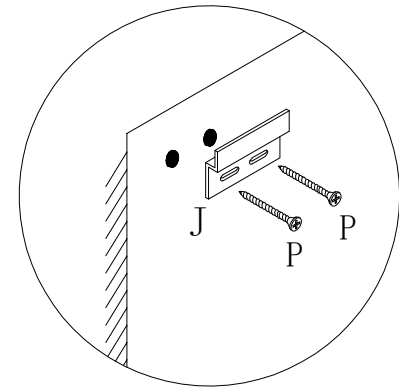
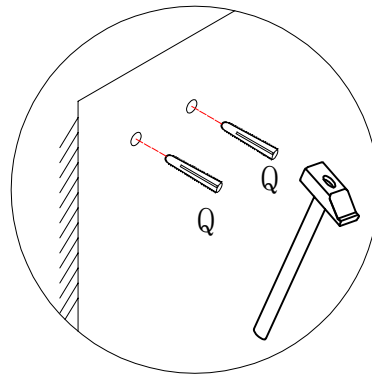
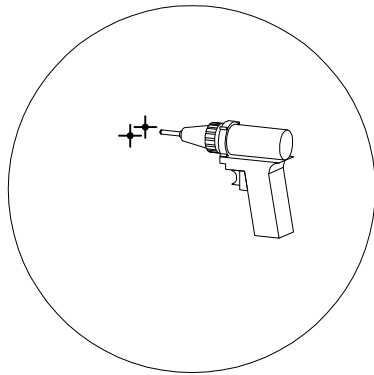
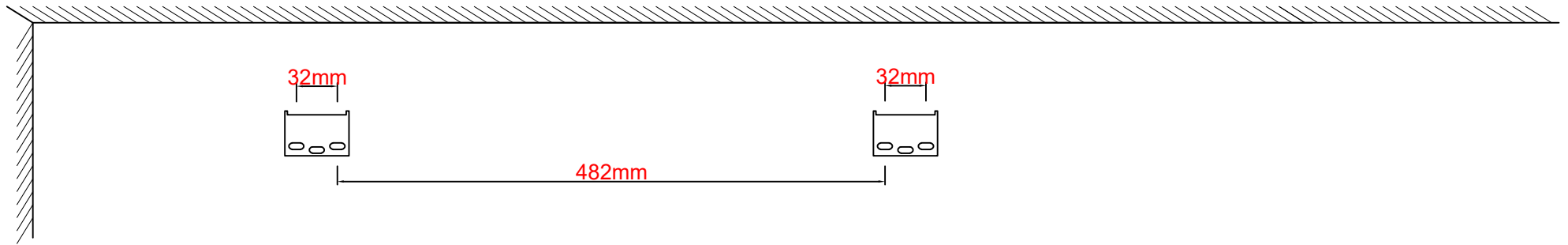
5






Rotate 90°

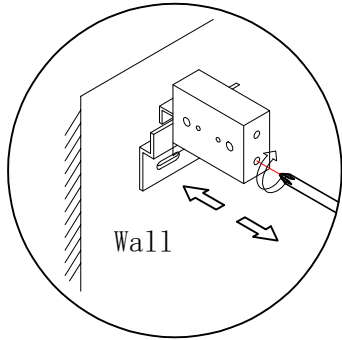
	M*16
	N*16
	R*16

6

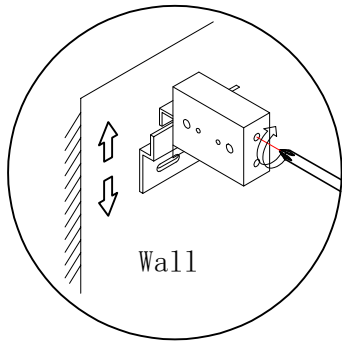


	J*2
	P*4
	Q*4

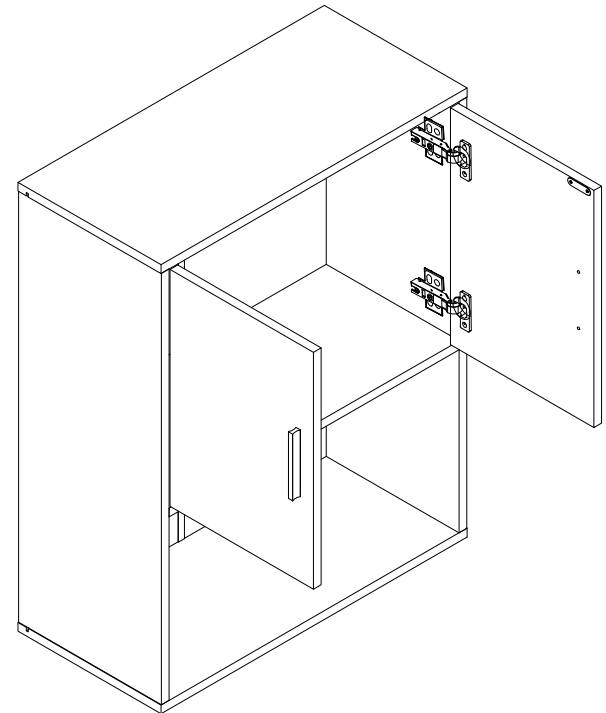
7



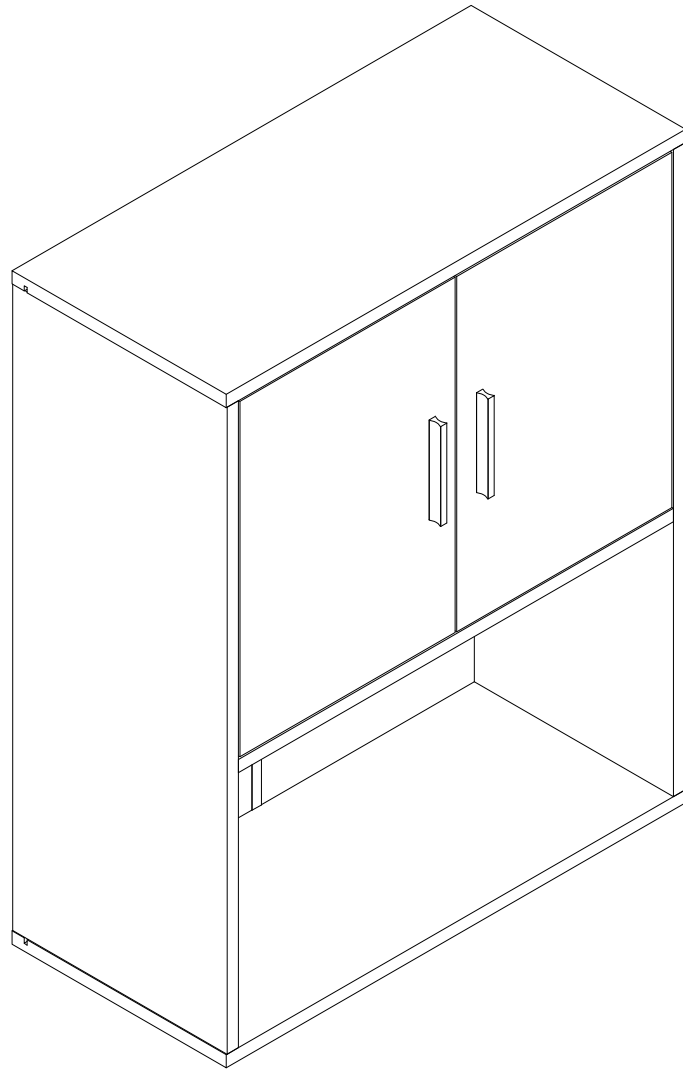
You can adjust this position to control the distance between the product and the wall when the product is installed on the wall.



Also, you can adjust the up and down of hanger to control the high and low of product when it's installed.



8



---END---