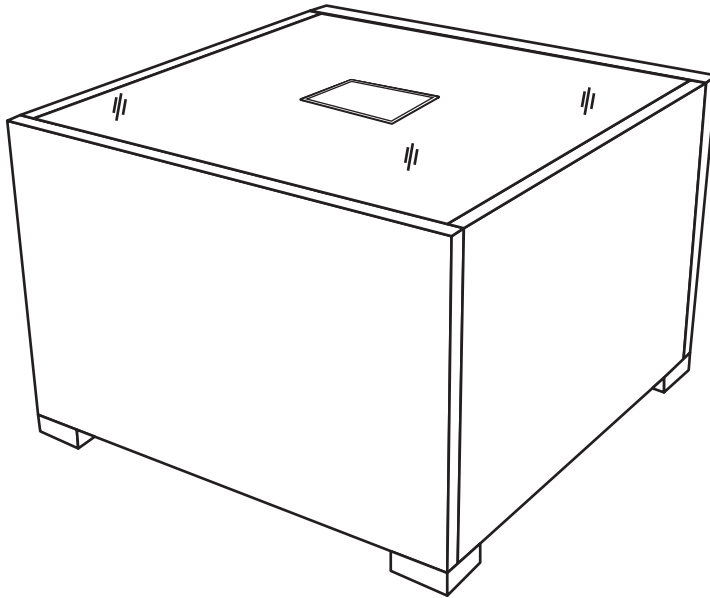


# Assembly Instructions



**Assembly  
video**



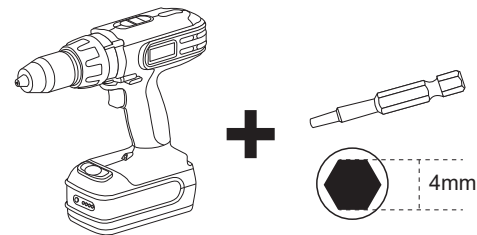
For any missing hardware, damaged parts and other problems.  
WELCOME to email us at: [service@behousewell.com](mailto:service@behousewell.com)

Or call at (1)833-474-1928 Toll free  
Between 9AM and 5PM Eastern time, Monday through Friday

**\*Don't fully tighten all the bolts till the very end!**

PRE-ASSEMBLY PREPARATION:

- A cordless drill is recommended for ease of assembly.
- Clear out the space for assembly and lay out all of the parts based on the Parts List, extra room will allow you to easily determine if all the pieces are present.
- Keep small parts and pieces away from children until fully assembled.



**A**

Glass top

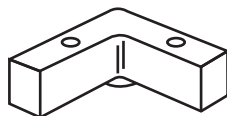
1 pc



**E**

L-shape  
foot

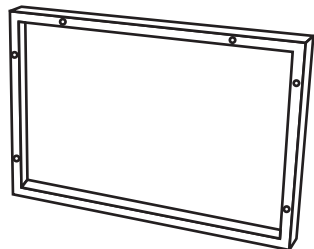
4 pc



**B**

Long side  
panel

2 pc



**F**

Solar  
lamp

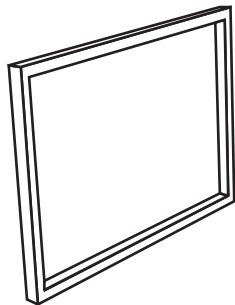
1 pc

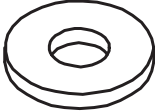


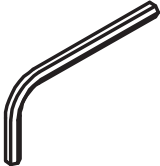


**C**

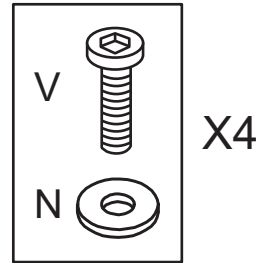
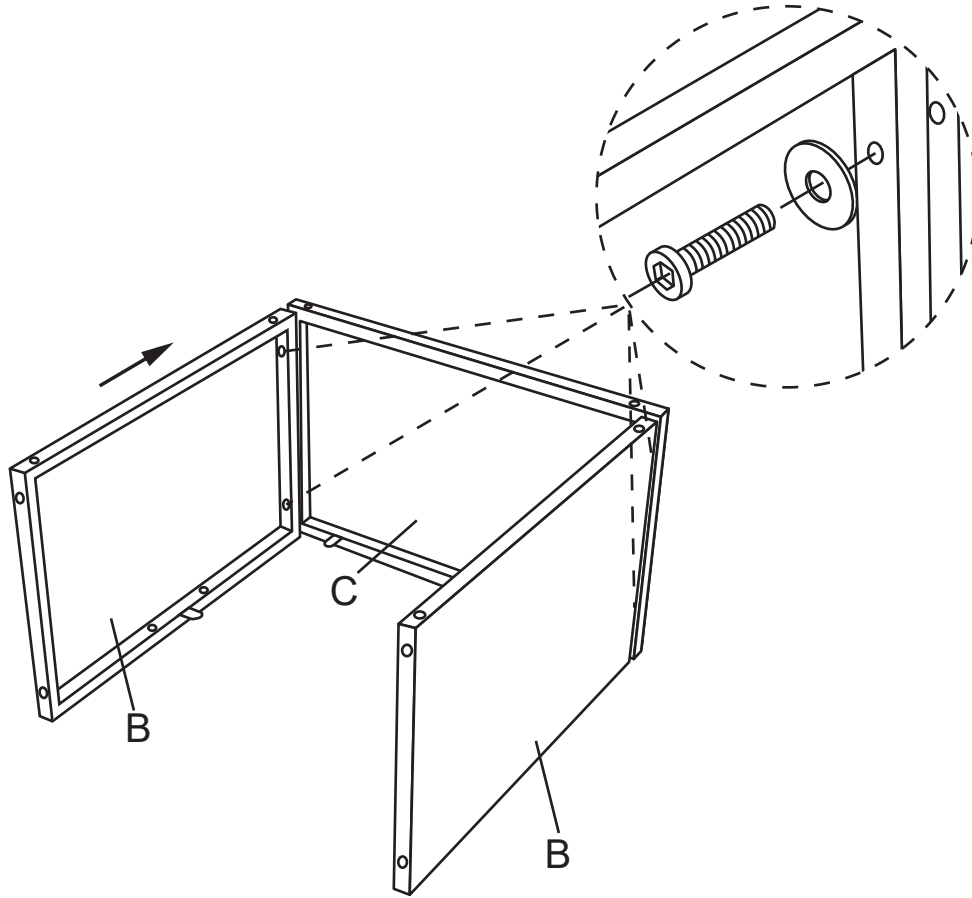
Short side  
panel

2 pc

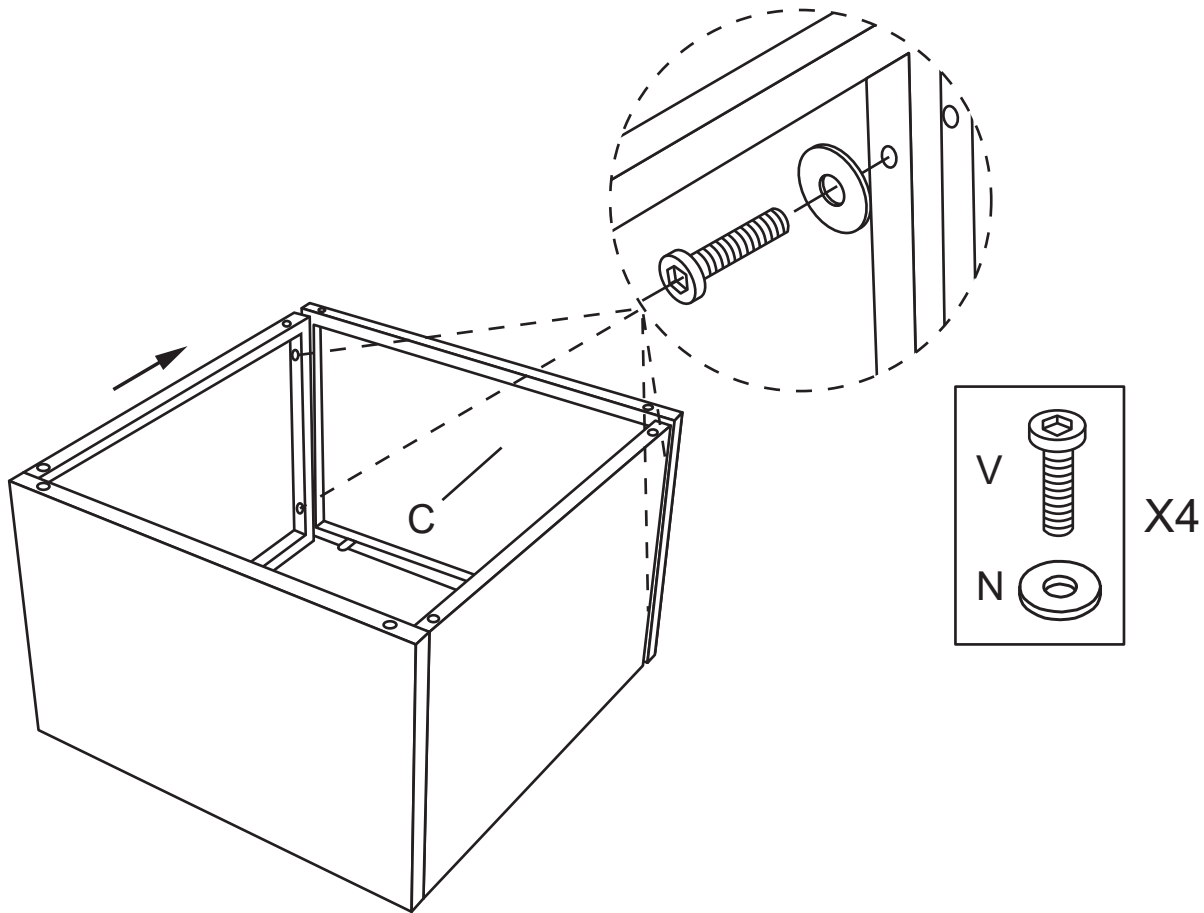


| No.      | Part/Size                | QTY      | Image  |
|----------|--------------------------|----------|--|
| <b>N</b> | <b>Washer</b><br>(M6)    | <b>8</b> |   |
| <b>X</b> | <b>Bolt</b><br>(M6*25mm) | <b>8</b> | <p data-bbox="614 311 794 339">**Actural Scale</p>  |
| <b>V</b> | <b>Bolt</b><br>(M6*35mm) | <b>8</b> | <p data-bbox="614 507 794 535">**Actural Scale</p>  |
| <b>L</b> | <b>Allen Wrench</b>      | <b>1</b> |   |
|          |                          |          |  |

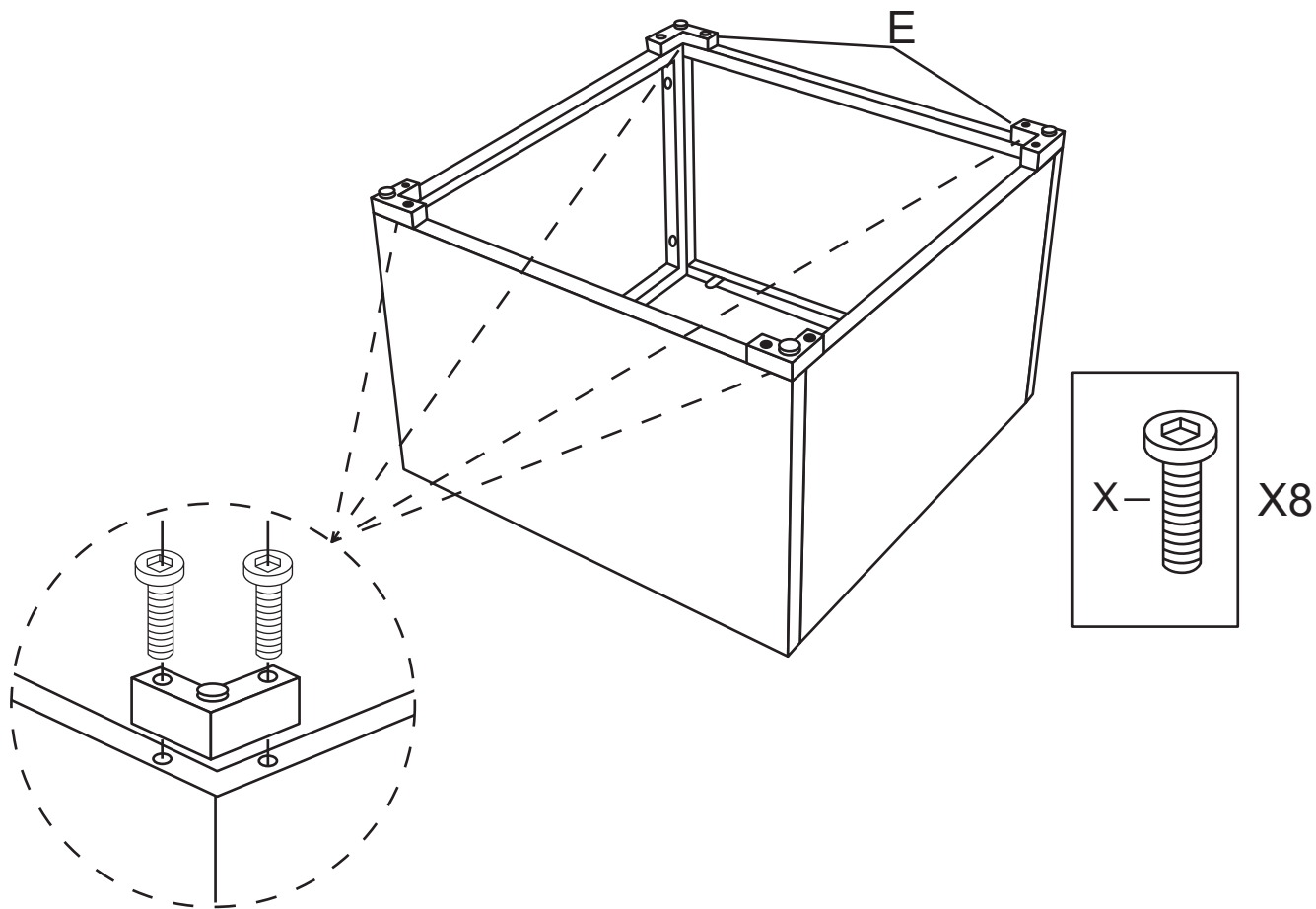
**Step 1:** Attach 2pcs long side panel B to short side panel C with 4pcs bolts V and 4pcs washer N,,using Allen wrench L. Note: Don't fully tighten the bolts.



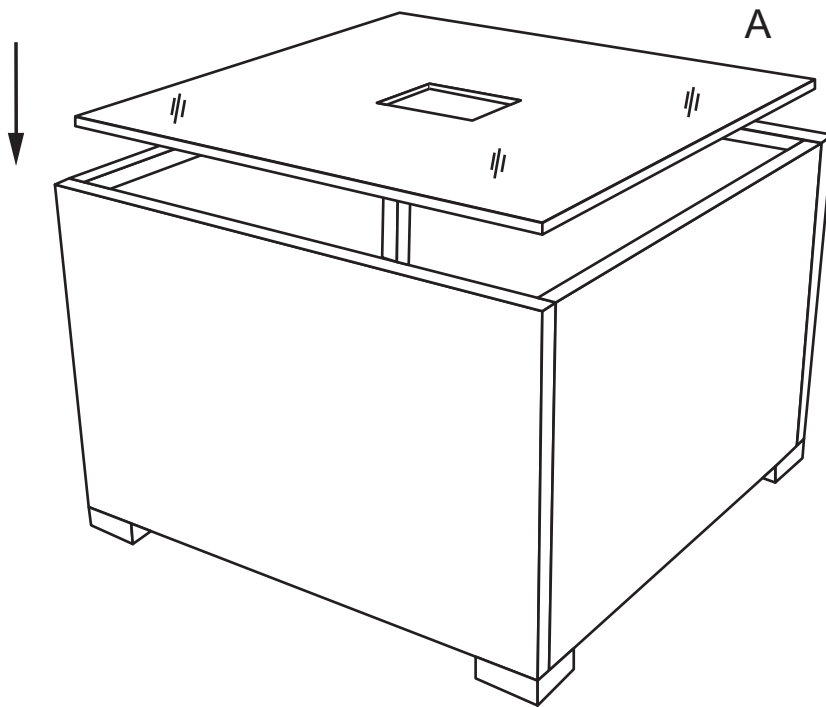
**Step 2:** Attach side panel C to side panel B with 4pcs bolts V and 4pcs washers N, using Allen wrench L. Fully tighten all the bolts.



**Step 3:** Attach the L-shape foot E to the bottom of side panel with 8pcs bolts X, using Allen wrench L. Fully tighten the bolts.



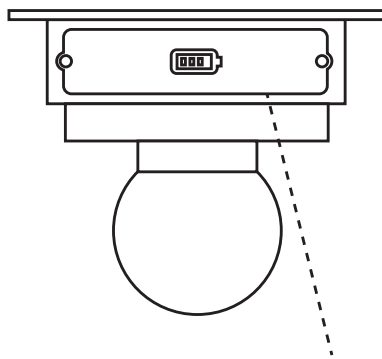
**Step 4:** Put the glass top A to the side panels.



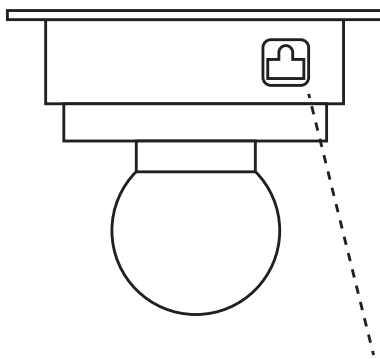
**Step 5:** There is no battery installed in the lamp, need 18650 battery, 3.7V lithium battery tip.

1. During the day, the sun directly charges the battery, and at night, the light bulb lights up by discharging the battery until the battery is discharged and the light is turned off. USB charging can be used to charge the battery at any time, and it automatically stops when the battery capacity is fully charged.

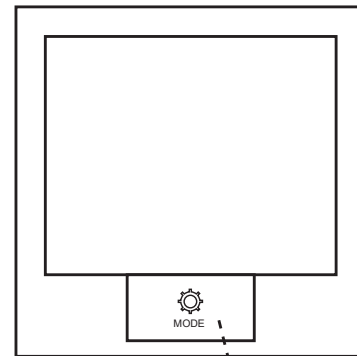
2. The light won't turn on when the USB is plugged in without a battery. The daytime lights automatically turn off and do not turn on. Automatically lights up in low light conditions.



battery box



Charging socket



switch

Unscrew the screws and open the battery compartment cover. After installing one battery, close the compartment cover and tighten the screws.

**Step 6:** Put the solar lamp F to the glass top A, assembly is finish.

