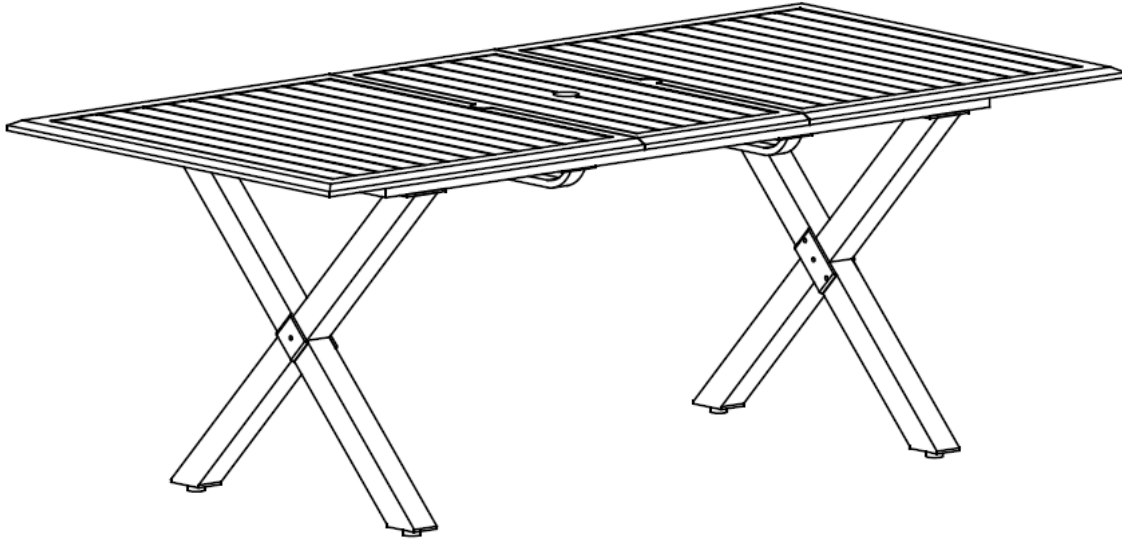


Assembly Instructions

Caution : You must read this before you proceed

Extension Table

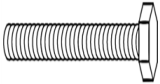


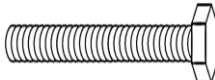

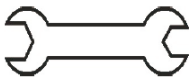


CAUTION : This table is NOT a TOY.
Keep your child / children at bay in the process of assembly.

Parts List

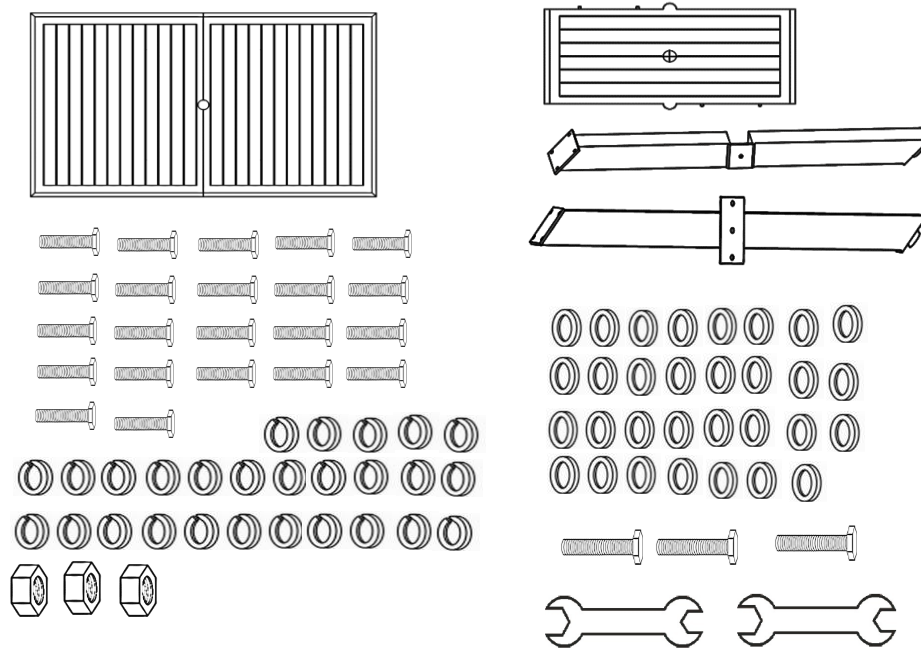
| Label | Picture | Description | QTY |
|-------|---------|--|-----|
| A | | Table Top | 1 |
| B | | Table Top Extension Leaf | 1 |
| C | | Inner Table Leg with Pre-attached Leveller | 2 |
| D | | Outer Table Leg with Pre-attached Leveller | 2 |

Hardware

| Label | Picture | Description | QTY |
|-------|---|--------------------|-----|
| ① |  | Bolt(M6*22mm) | 22 |
| ② |  | Washer(6mm) | 31 |
| ③ |  | Spring Washer(6mm) | 27 |
| ④ |  | Bolt(M6*80mm) | 3 |
| ⑤ |  | Nut(6mm) | 3 |
| ⑥ |  | Spanner | 2 |

Assembly Preparation

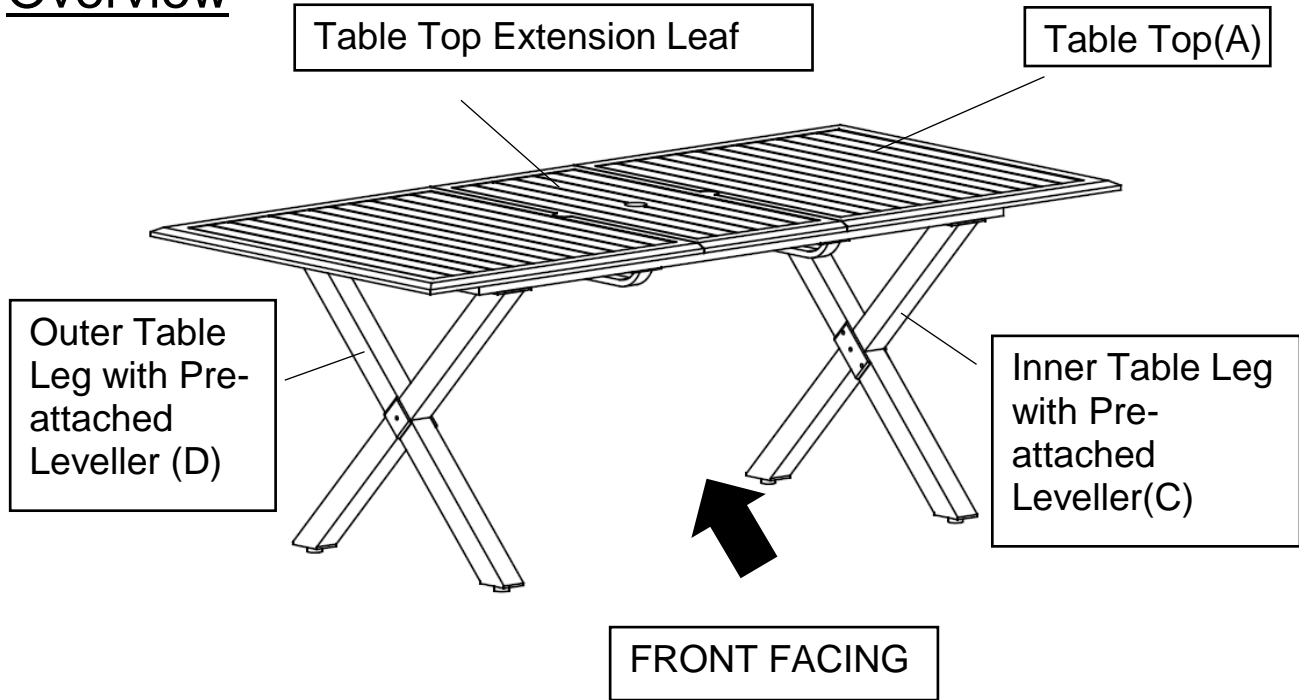
Before Beginning Assembly:



- Read instructions, cover to cover-
- Have 2 adults on hand for assembly-
- Do not assemble on flooring or carpet-
- Assemble on a clean non-marring surface (packing foam)-
- Save all packaging until finished-

Assembly Steps

Overview

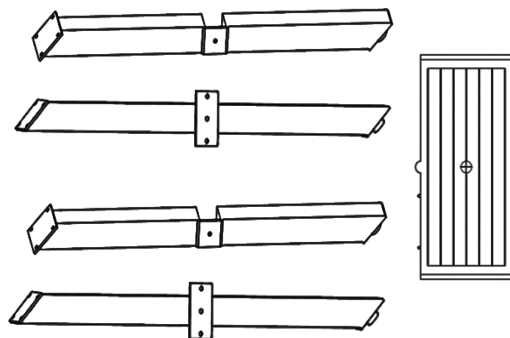
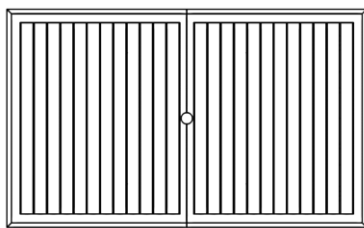


This table has multiple parts and may require up to 30 minutes to assemble.

To give you an overview of the table parts, the above picture is to help you put the various parts into perspective.

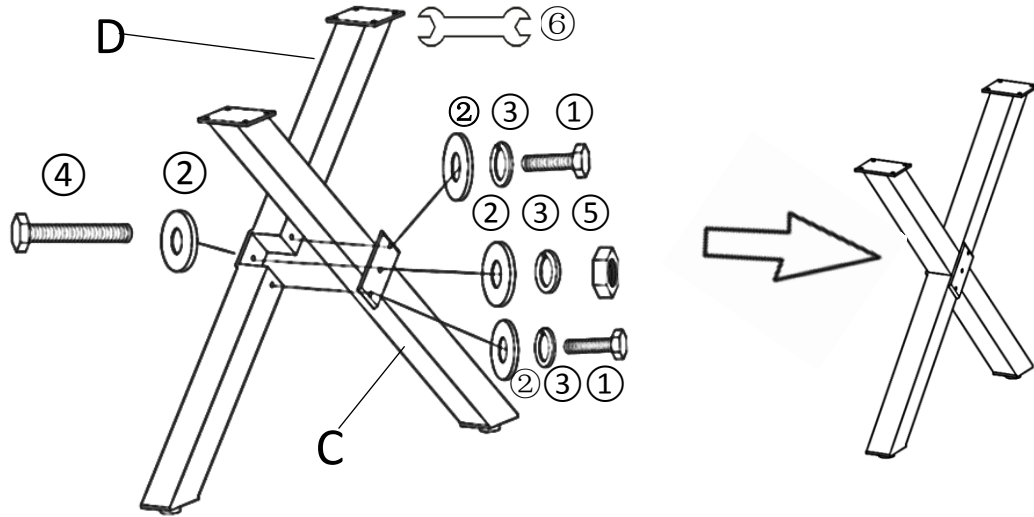
Please read through the instructions below to familiarise yourself with the parts and steps before assembly.

Step 1



Unpack and place all parts on a clean soft surface.

Step 2



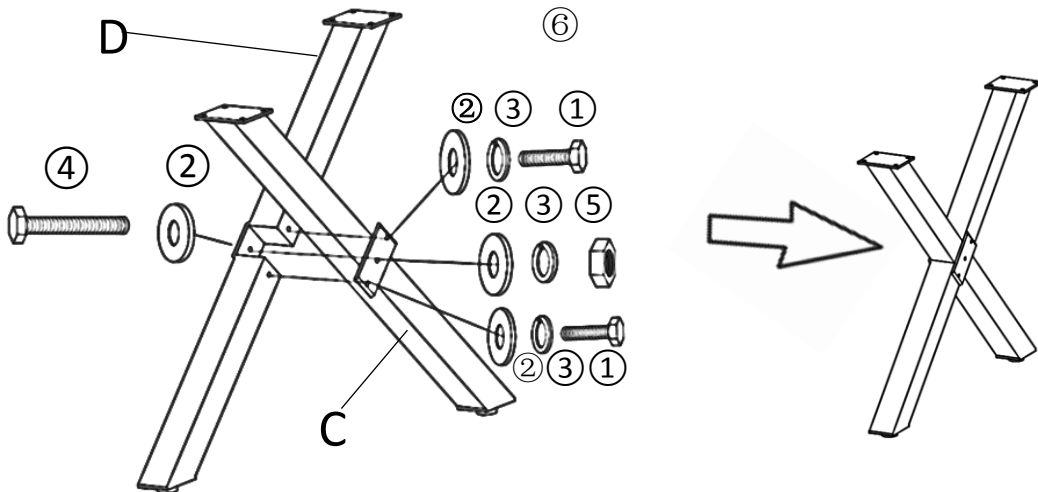
Fix the Inner Table Leg with Pre-attached Leveller(C) and Outer Table Leg with Pre-attached Leveller(D) with bolts(④), washers(②), spring washers(③) and nuts(⑤) by spanner(⑥).

Do not over tighten.

Fix the bolts(①), washers(②), spring washers(③) to the unit by spanner(⑥).

Do not over tighten.

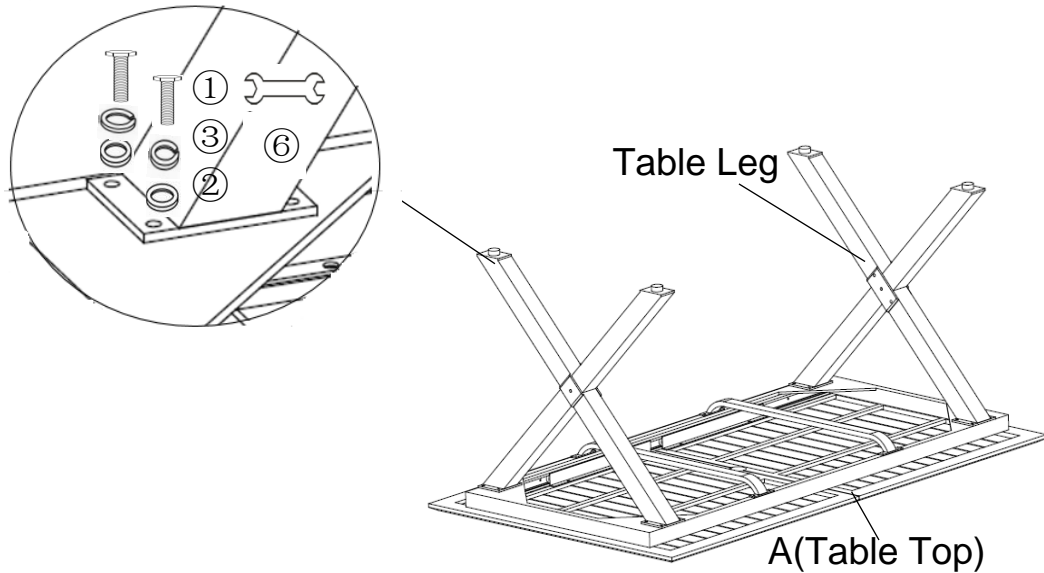
Step 3



Repeat the same assembly process for the other Inner Table Leg with Pre-attached Leveller(C) and Outer Table Leg with Pre-attached Leveller(D).

DO NOT fully tighten at this stage.

Step 4



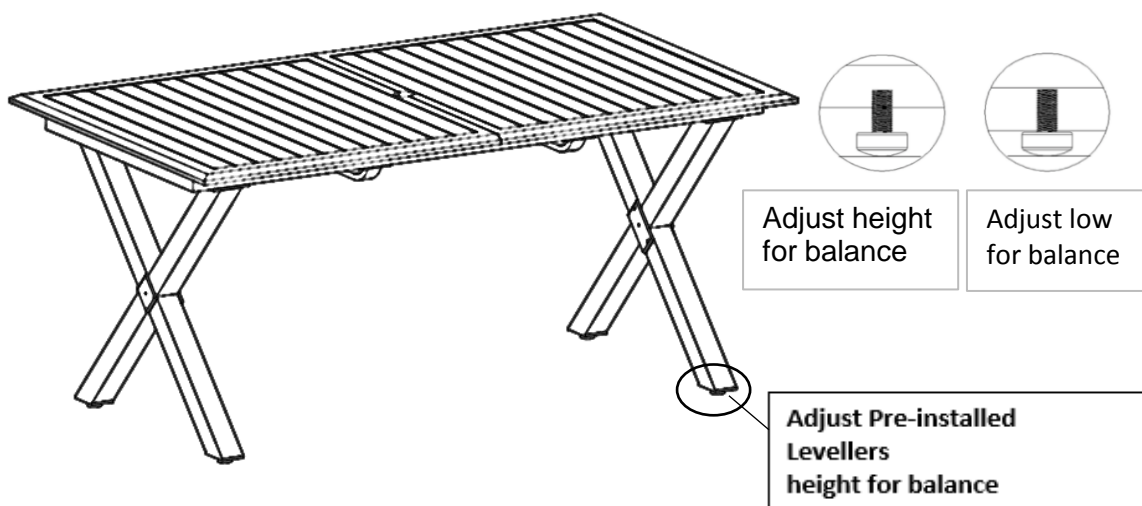
Turn the table upside down on to a soft surface that does not scratch the tabletop.

Attach Inner Table Leg with Pre-attached Leveller(C) and Outer Table Leg with Pre-attached Leveller(D) to the mounting position on the table top(A) with bolts(①), spring washers(③) and washers(②) by spanner(⑥).

Do not over tighten.

Caution: you may need 2 adults to turn the table top A upside down.

Step 5



Turn the Table rightside up.

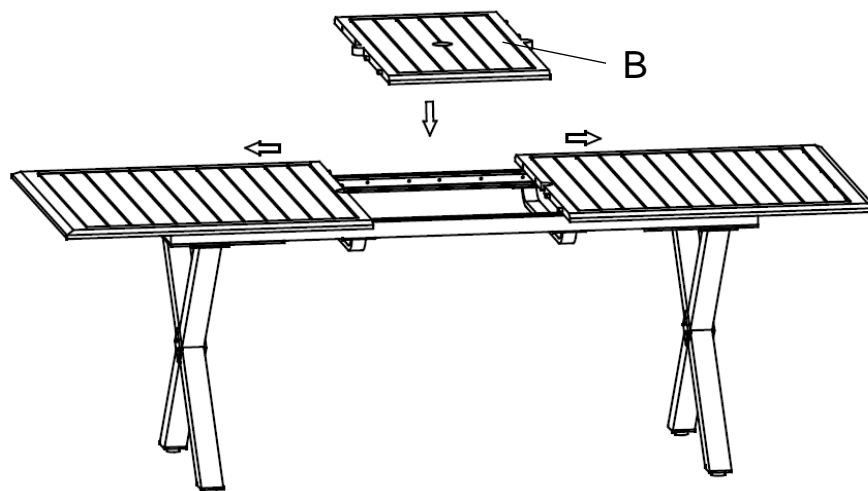
Adjust the pre-installed Leveller until the Table is level with the ground.

Then, proceed to tighten all Bolts and Nuts.

Your table is ready for use.

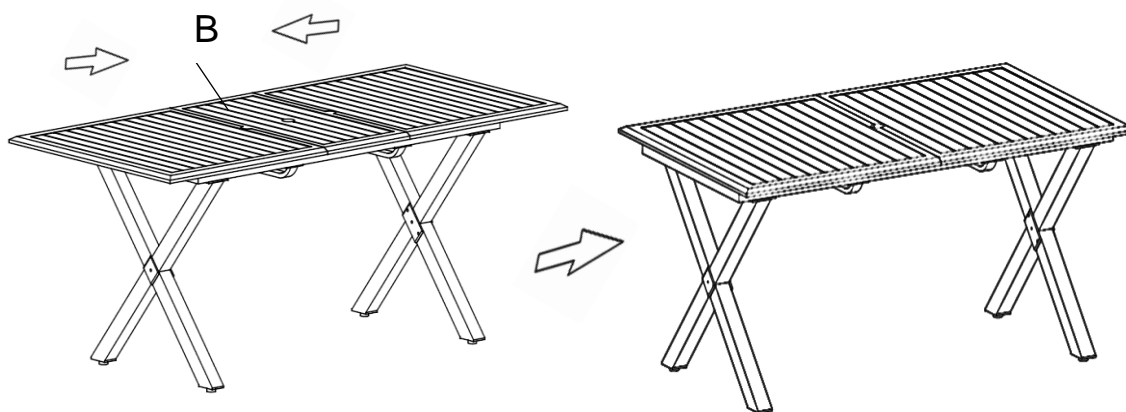
Caution: This Table can only be used on a flat, level surface.

Step 6
















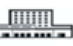




To expand the Table, pull the table top apart, place Table Top Extension Leaf (B) into the middle leaf slot. Adjust the direction/angle to tightly fit into the housing in the Table Top.

Step 7



To shorten the Table, pull the table top apart, take Table Top Extension Leaf(B) away, then towards the table top. Your table is ready to use.

Care & Maintenance

-   ● Do not put hot items directly on furniture surface
 -   ● Do not clean furniture with harsh cleansers or polish.
 -   ● To obtain the longest lifespan of your outdoor products, minimizing exposure to direct sunlight is recommended.
 -   ● Children should not climb or jump on the furniture.
 -   ● Do not write on furniture without a padded barrier to protect the surface.
 -   ● To obtain the longest lifespan of your outdoor products, avoid extended and lengthy exposure to rain, snow, and direct sunshine. Whenever possible cover the product and /or place under patio or awnings.
 -   ● Not for commercial use. For residential use only .
 -   ● Stains may be removed with mild soap solution and damp cloth.
-
-   ● Dust and pick-up spills using a clean, non-colored, lint-free cloth .

What is Proposition 65?

Proposition 65 is a California law that requires warning labels on products that may contain one of more than 800-plus chemicals or ingredients that the California Office of Environmental Health Hazard Assessment (OEHHA) has deemed to cause cancer or other reproductive toxicity. Chemicals and elements on this list include wood dust, brass, and other everyday substances, which can be found in very common household items, such as: lamps, tableware, jewelry, crystal glasses, electric cords, beauty products, automobiles, and furniture.

Why Did I Find a Proposition 65 Warning on My Home Goods Product?

We include Proposition 65 warnings on all of our products because there is always a chance that one of the 800-plus common chemicals and ingredients listed under this law could potentially be on our furniture or packing materials. We risk large fines under this law, if we don't include this warning.

Should I worry?

We realize you may be worried finding this warning on our products, but we want to reassure you that the hazardous exposure limits for any of these chemicals have never been found on furniture products that we've shipped to our customers. Additionally, this warning label is very common and can be found on almost every piece of furniture sold in the state of California.

Just How Common Are Proposition 65 Warnings?

Proposition 65 warnings have become so common in California that it is hard to take a trip to a local bank, grocery store, or restaurant without finding at least one warning. In fact, even the Disney Land Resort has a Proposition 65 warning:

