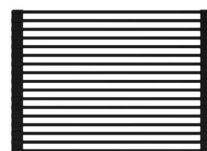
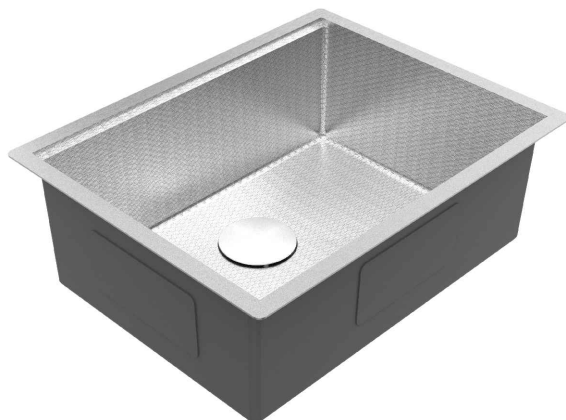


Series	Matrix
Material	16 Gauge, Type 304 stainless steel
Installation Type	Undermount
Configuration	Single bowl
Finish	Embossed hexagon finish
Overall Dimensions	24" x 18 3/4" x 9"
Bowl Dimensions	22" x 16 1/8" x 8 3/8"
Drain Size	3 5/8"
Finishes Available	Stainless Steel, Gunmetal Grey
Minimum cabinet size	27"
Template Included	Yes
Clips Included	Yes
Drain Location	Rear
Accessories Included	Strainer, Cutting board, Drying rack and Strainer cap

Shown in Stainless Steel



MODEL	ACCESSORY
HSU2419SBGG	Cutting Board - CB1710BLR5
HSU2419SBGG	Strainer Cap - L-CAPGG
HSU2419SBGG	Strainer - L-1GGMA
HSU2419SBGG	Drying Rack - DR1712BLR5
HSU2419SBSS	Cutting Board - CB1710BLR5
HSU2419SBSS	Strainer Cap - L-CAP
HSU2419SBSS	Strainer - L-1
HSU2419SBSS	Drying Rack - DR1712BLR5

MODEL	FINISH
HSU2419SBGG	Gunmetal Grey
HSU2419SBSS	Stainless Steel

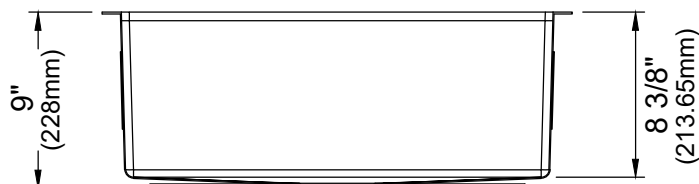
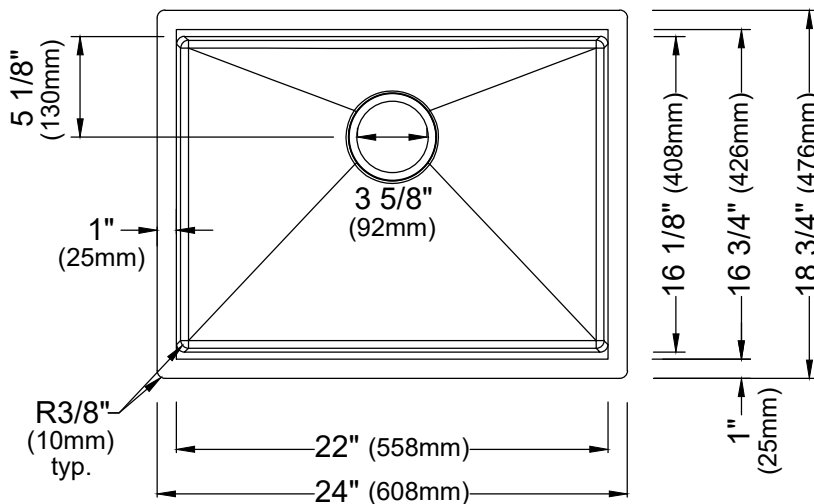
Stocked Color Options



Stainless Steel



Gunmetal Grey



Listing and certifications:
cUPC

Limited lifetime warranty

We reserve the right to update product specifications without notice. Please visit karran.com for the most current specification sheets. All dimensions are accurate to 1/4". REV 03-2026