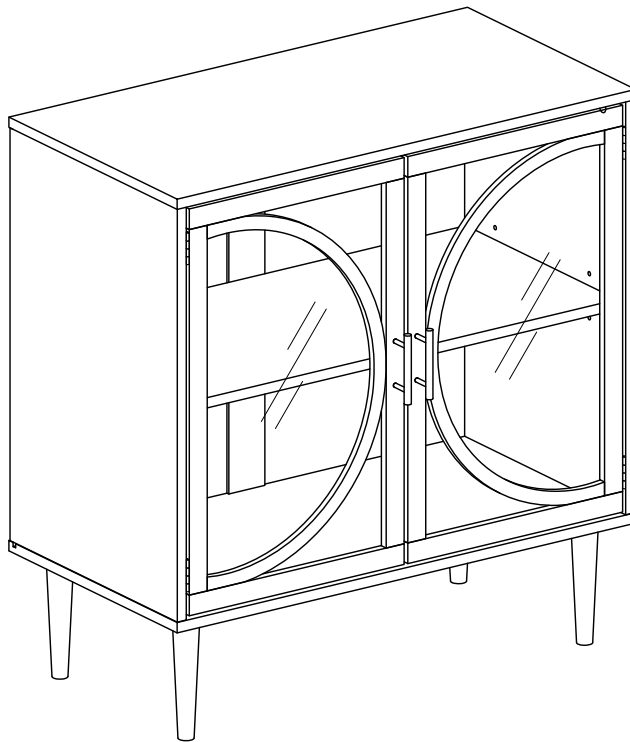


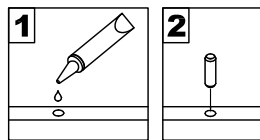
Assembly Instructions



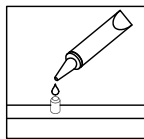
Please visit our website for the most current instructions, assembly tips, report damage, or request parts.

General Assembly Guidelines

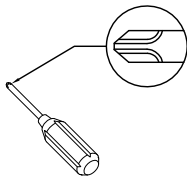
- I. Ensure that all parts and hardware are available before beginning assembly.
- II. Follow each step carefully to ensure the proper assembly of this product.
- III. Two people are recommended for ease in the assembly of this product.
- IV. The three main types of hardware used to assemble this product are : wood dowels , screws and bolts.
- V. The provided glue is to secure wood dowels in place . When first inserting dowels , locate the appropriate hole for the dowel , place a small amount of glue in the hole and insert the dowel . Wipe away excess glue immediately.



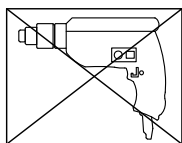
In future assembly steps when dowels are necessary to attach assembly parts together , place a small amount of glue on the end of the dowel before attaching parts together . Wipe away excess glue immediately.



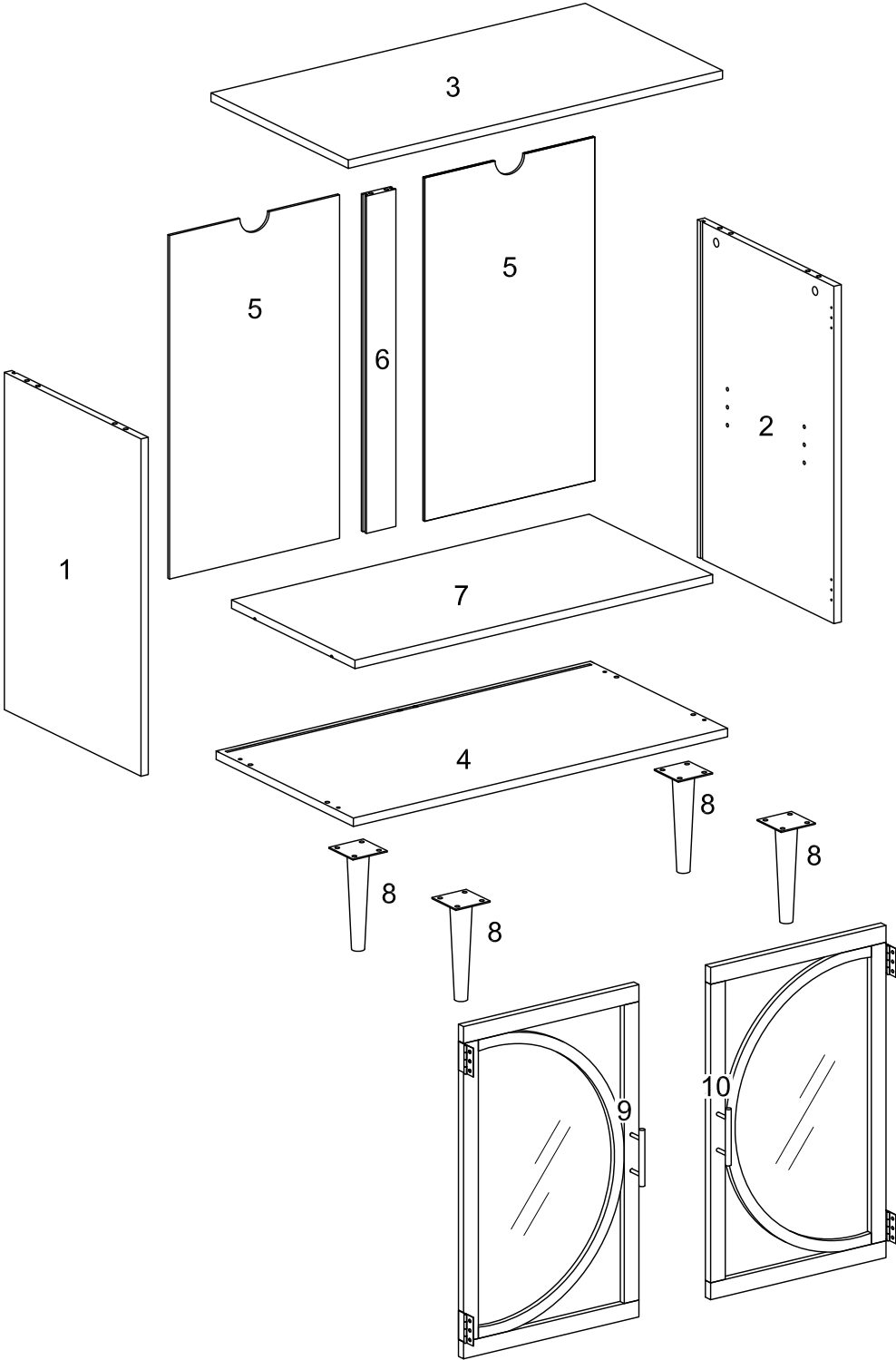
- VI. A Phillips head screwdriver is required for the assembly of this product .











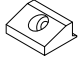
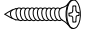
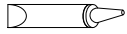


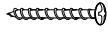
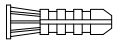


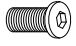

- VII. Power tools should not be used to assemble this product .

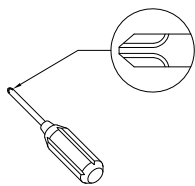


Parts List



Hardware List

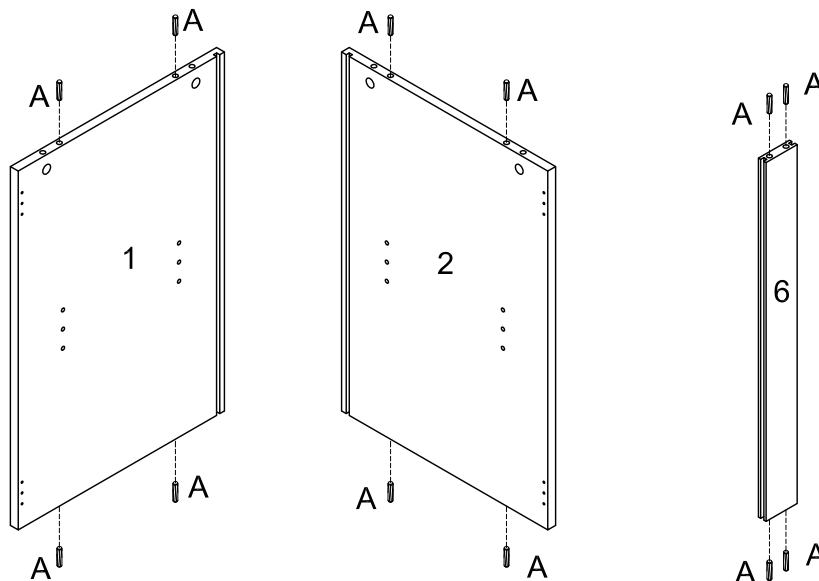
A		Ø8x30mm	Wooden dowel	12 pcs
B		Ø6x35mm	Cam bolt	4 pcs
C		Ø15x11mm	Cam lock	4 pcs
D		Ø30mm	Sticker	4 pcs
E		Ø4x38mm	Screw	4 pcs
F		Ø8x5x16mm	Shelf support pin	4 pcs
G			Door stopper	1 pcs
H		Ø3x15mm	Screw	3 pcs
J			Plastic wedge	8 pcs
K		Ø3x17mm	Screw	8 pcs
L			Glue tube	1 pcs
M		Ø3x15mm	Screw	12 pcs
N			Velcro strap	1 pcs
P		Ø4x25mm	Screw	1 pcs
Q			Plug	1 pcs
R			Handle	2 pcs
S		Ø4x25mm	Handle Bolt	4 pcs
T		Ø6x12mm	Bolt	16 pcs
U		4mm	Hex Key	1 pcs



Philips head screwdriver required for assembly
(not included)

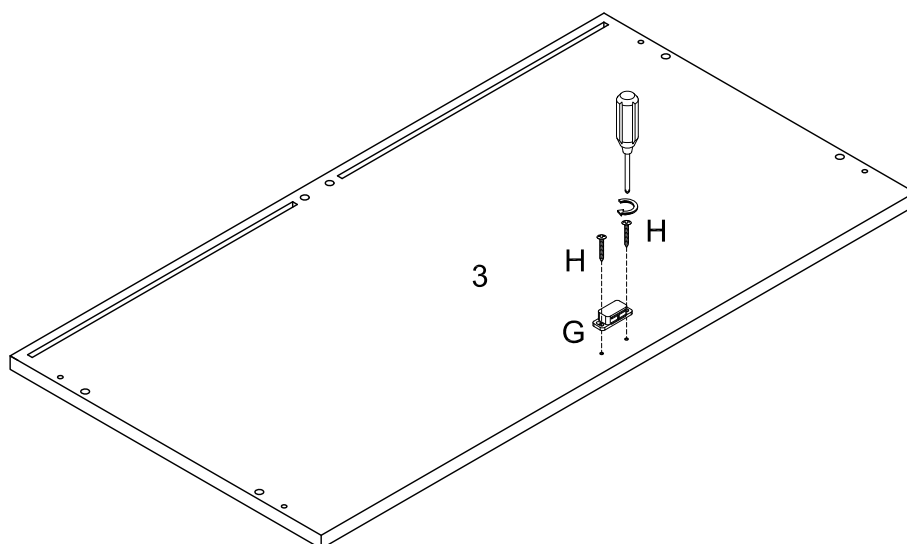
*The hardware quantities listed above are required for proper assembly.
Some extra hardware may also have been included.*

Step 1



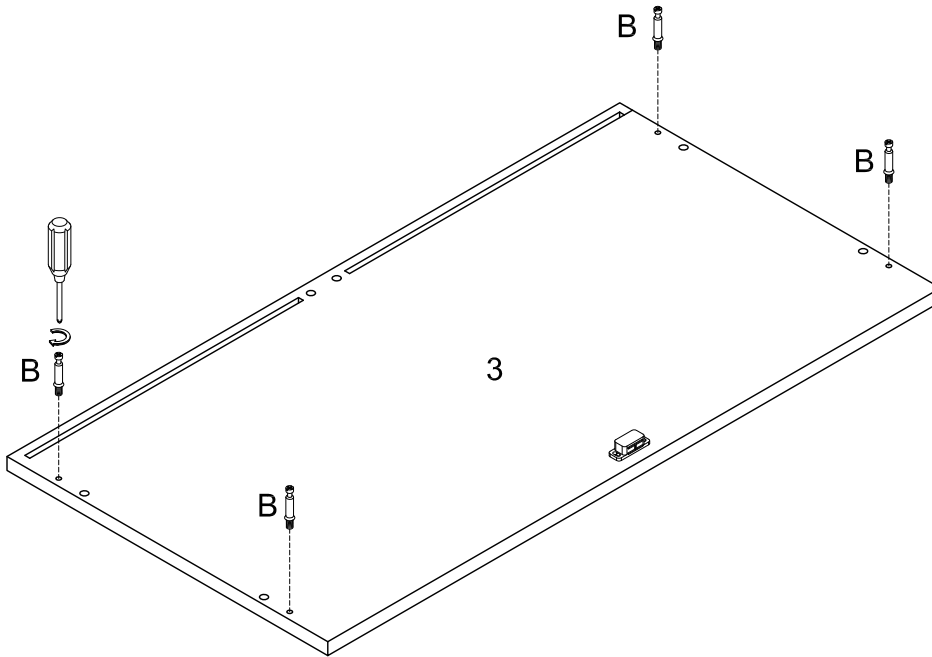
Insert wooden dowel (A) into part (1,2,6).

Step 2



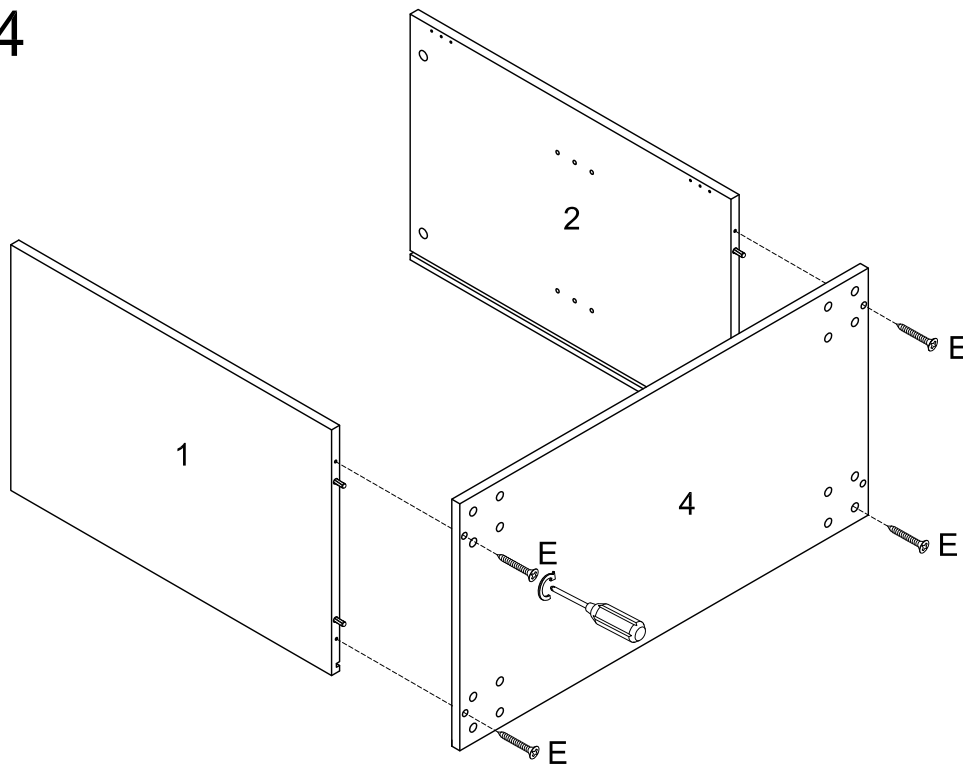
Attach door stopper (G) to part (3) using screw (H) with screwdriver.

Step 3



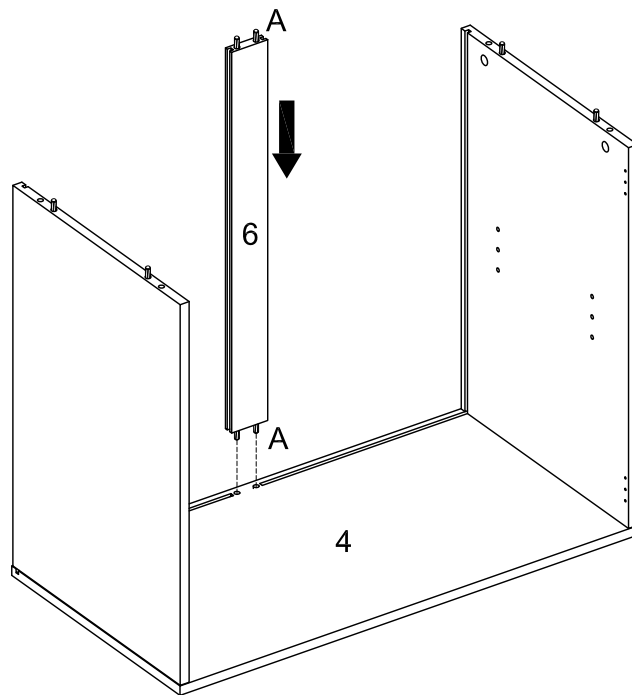
Attach cam bolt (B) to part (3) with screwdriver.

Step 4



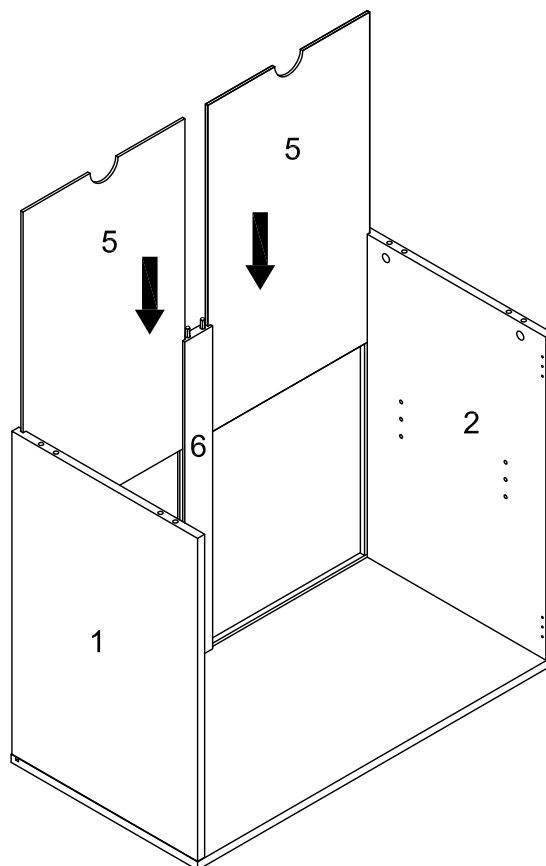
Attach part (1,2) to part (4) using screw (E) with screwdriver.

Step 5



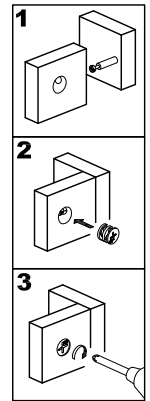
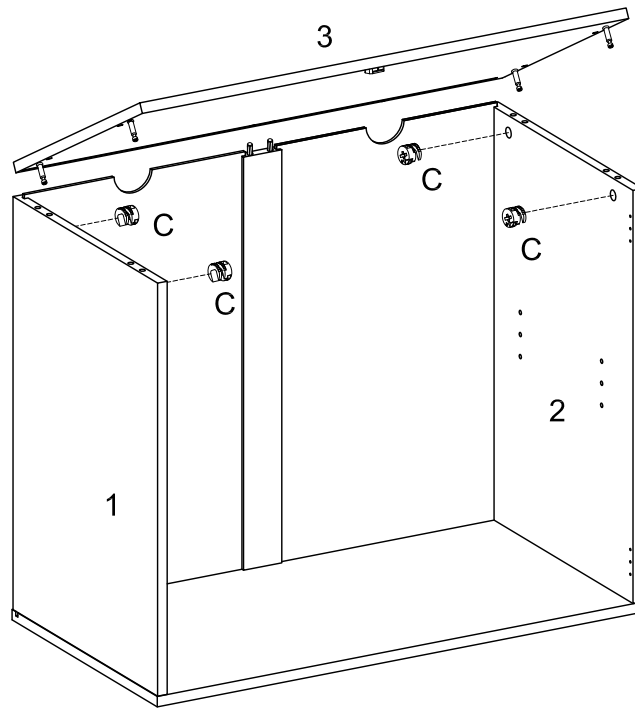
Insert part (6) into part (4).

Step 6



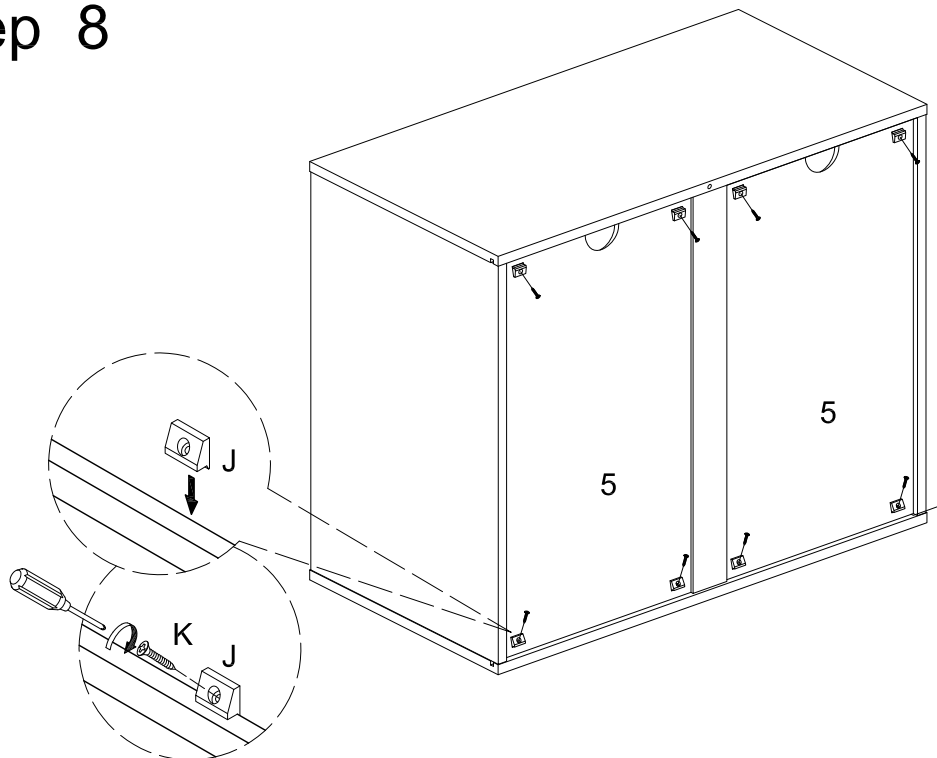
Slide back panel (5) into grooves as per diagram.

Step 7



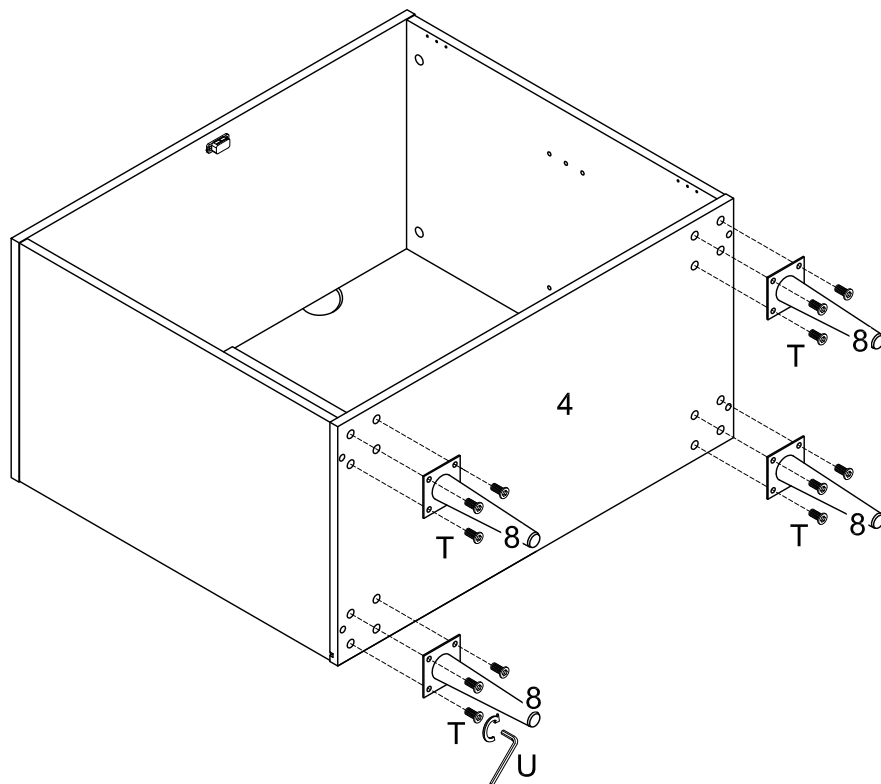
Attach part (3) to part (1,2), then insert and secure cam lock (C) to part (1,2) to lock it.

Step 8



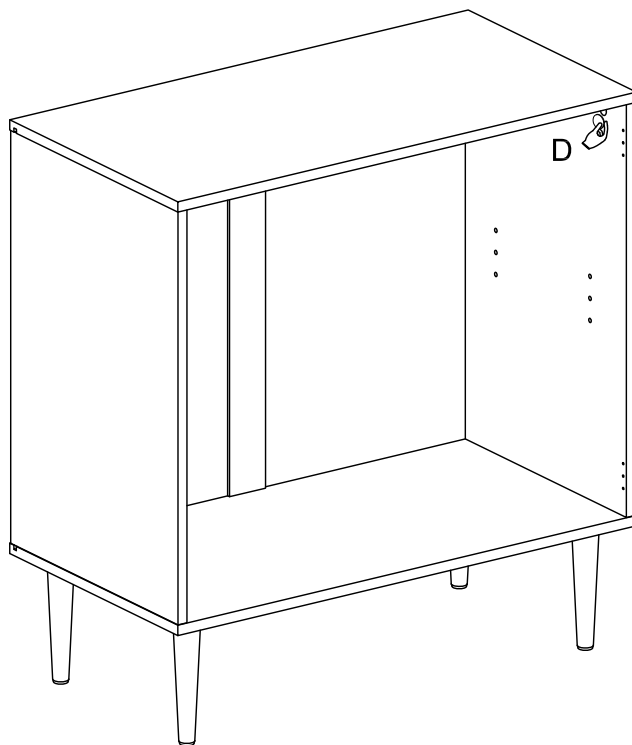
Attach plastic wedge (J) to part (5) using screw (K) with screwdriver.

Step 9



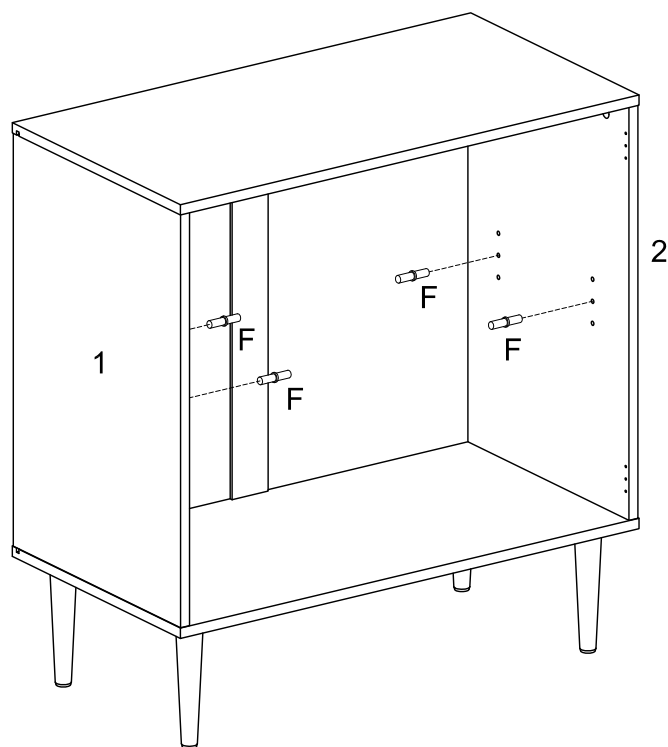
Attach part (8) to part (4) using bolt (T) with hex key (U).

Step 10



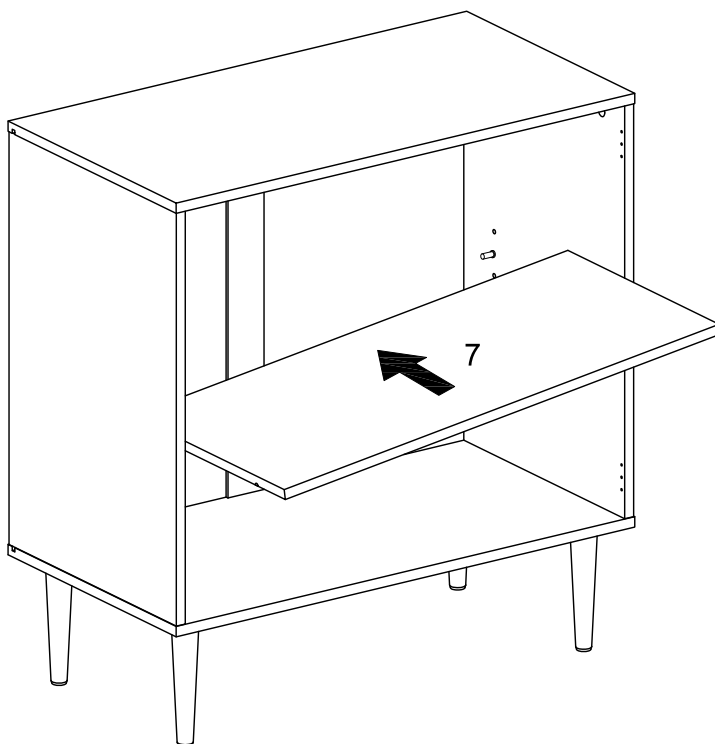
Place sticker (D) over holes as per diagram.

Step 11



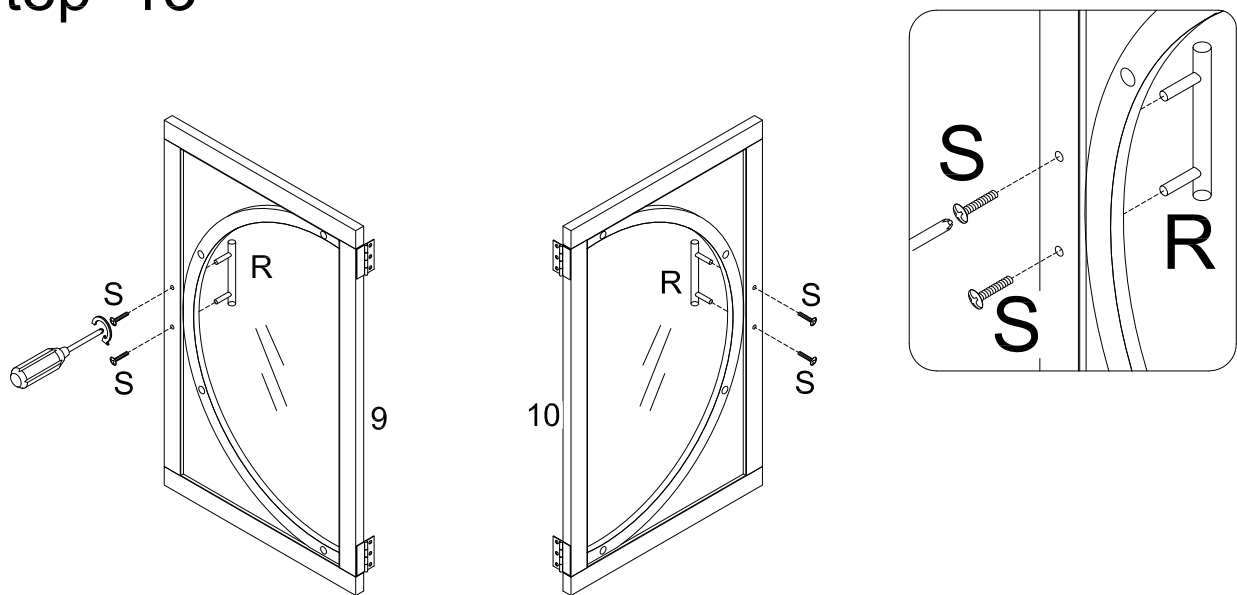
Insert shelf support pin (F) into part (1,2).

Step 12



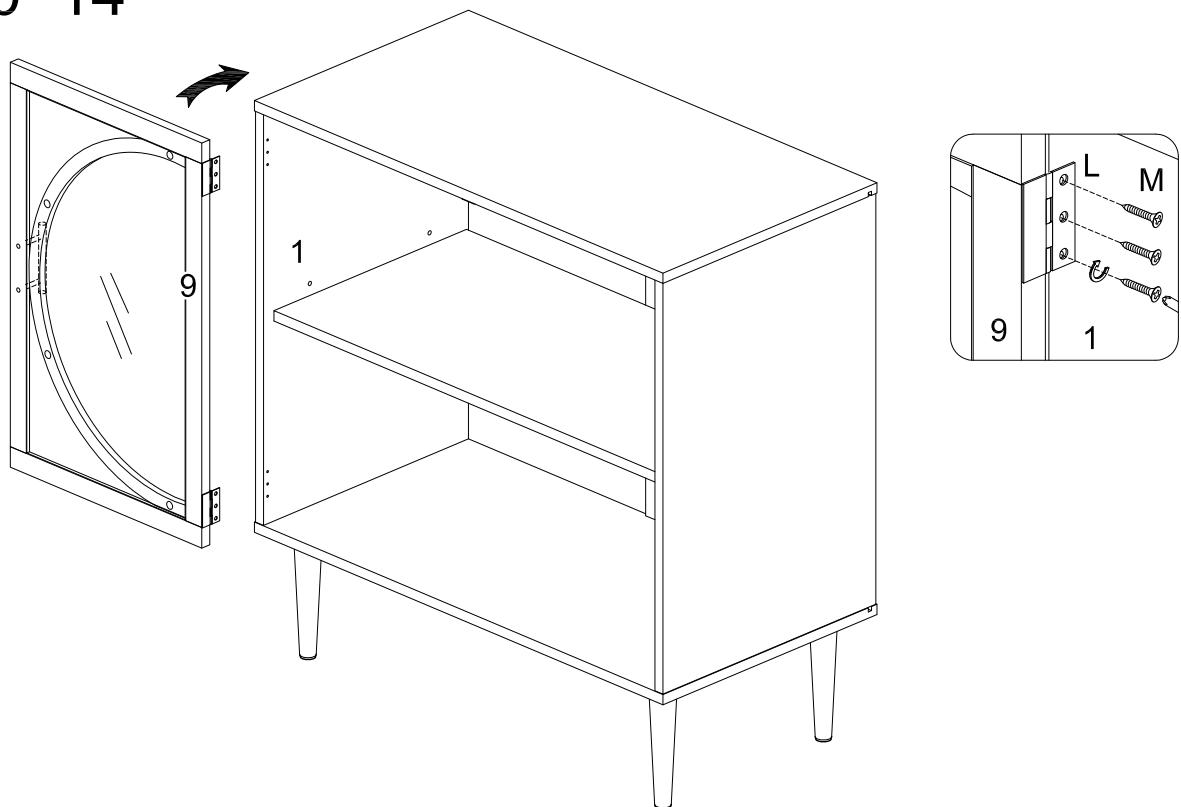
Place shelf (7) on top of support pin (F).

Step 13



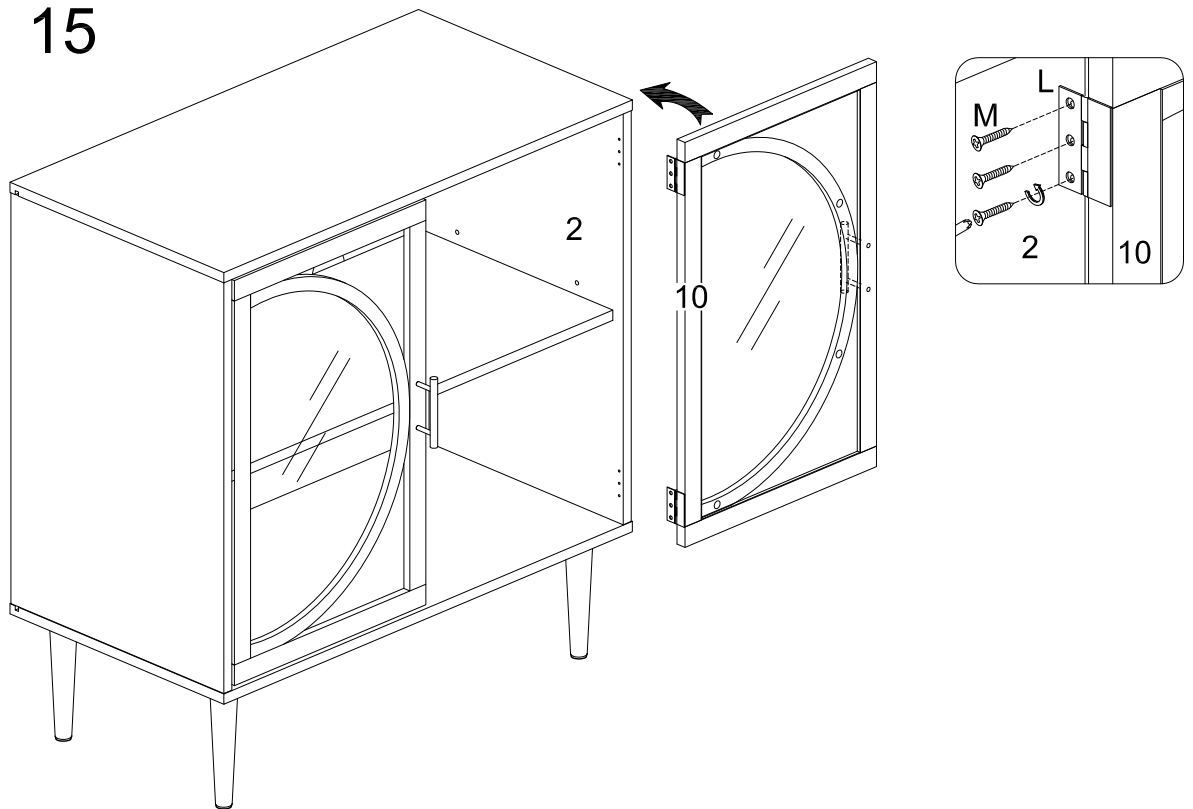
Attach handle (R) to part (9,10) using handle bolt (S) with screwdriver.

Step 14



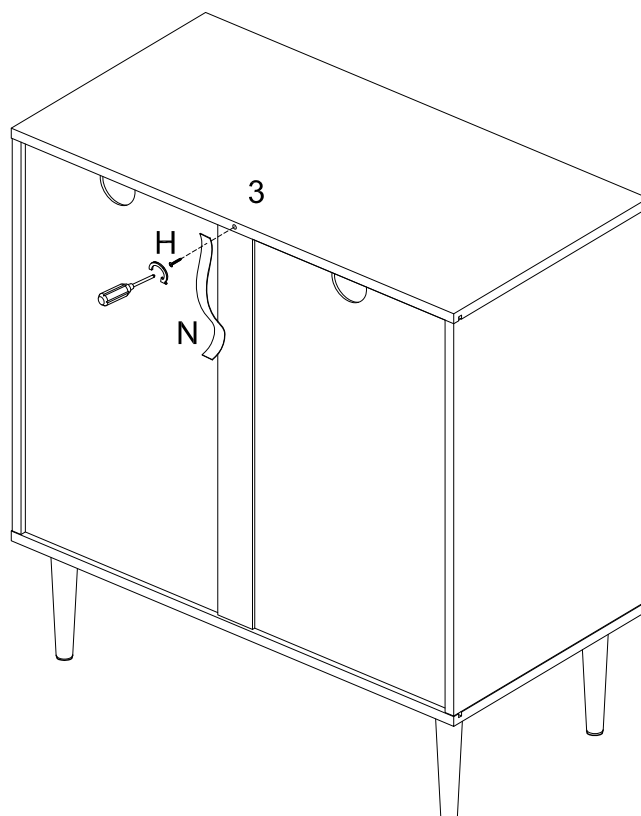
Attach door (9) and hinge (L) to part (1) using screw (M) with screwdriver.

Step 15



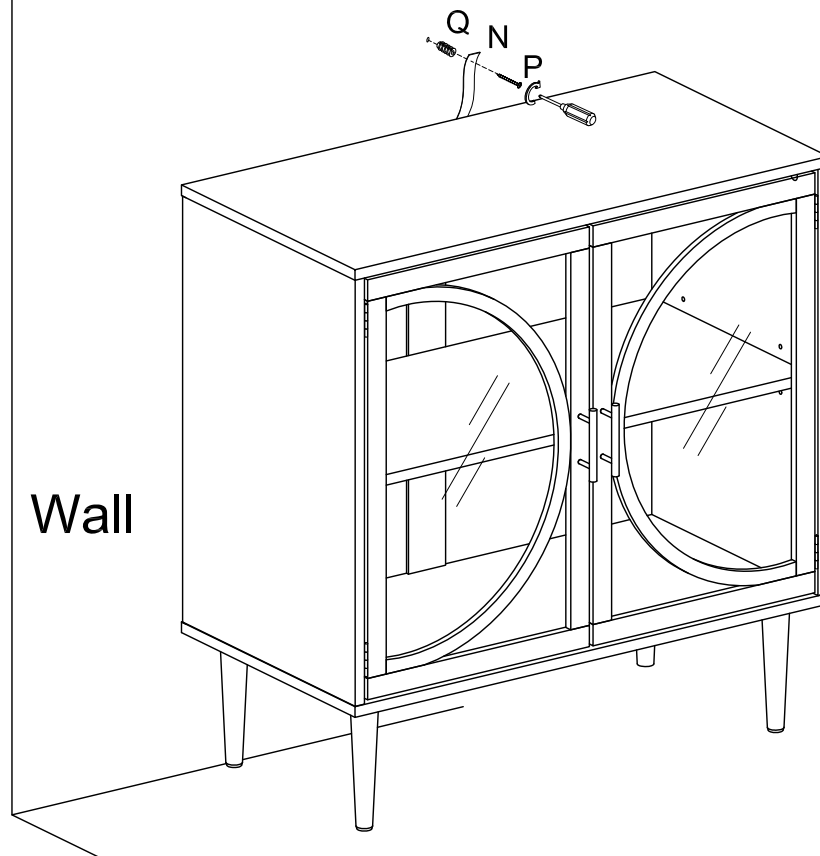
Attach door (10) and hinge (L) to part (2) using screw (M) with screwdriver.

Step 16



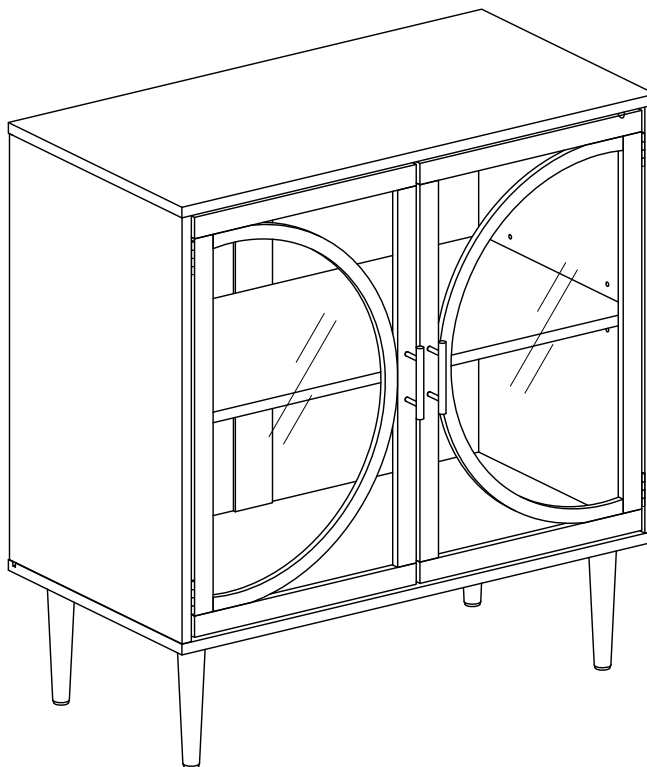
Attach velcro strap (N) to part (3) using screw (H) with screwdriver.

Step 17



Place unit in desired location and mark the wall for anchor location. Insert plug (Q) into wall as per diagram. Secure product to wall with screw (P) and velcro strap (N) to plug (Q) with screwdriver.

Step 18



Final Assembly