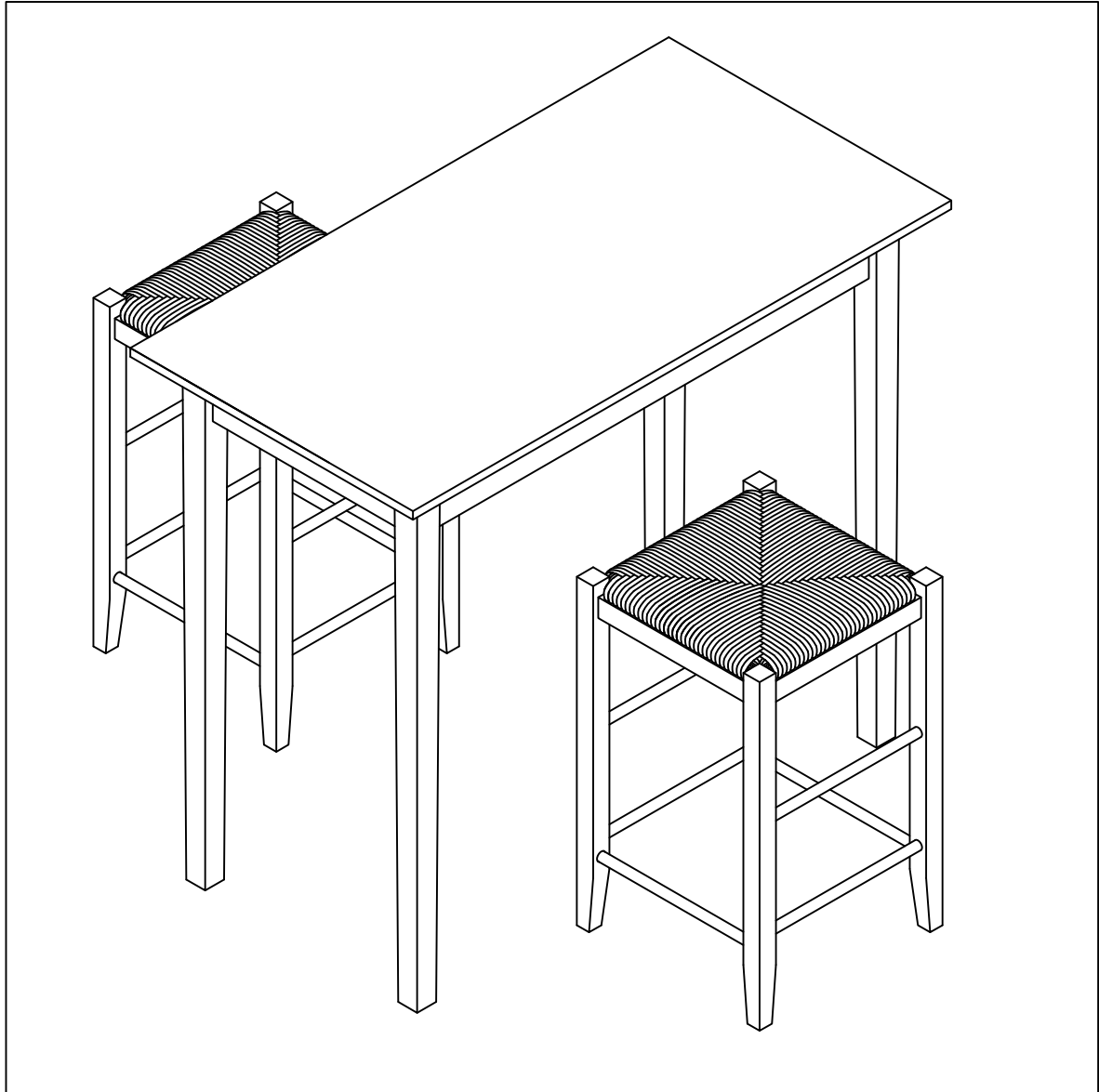


ASSEMBLY INSTRUCTIONS

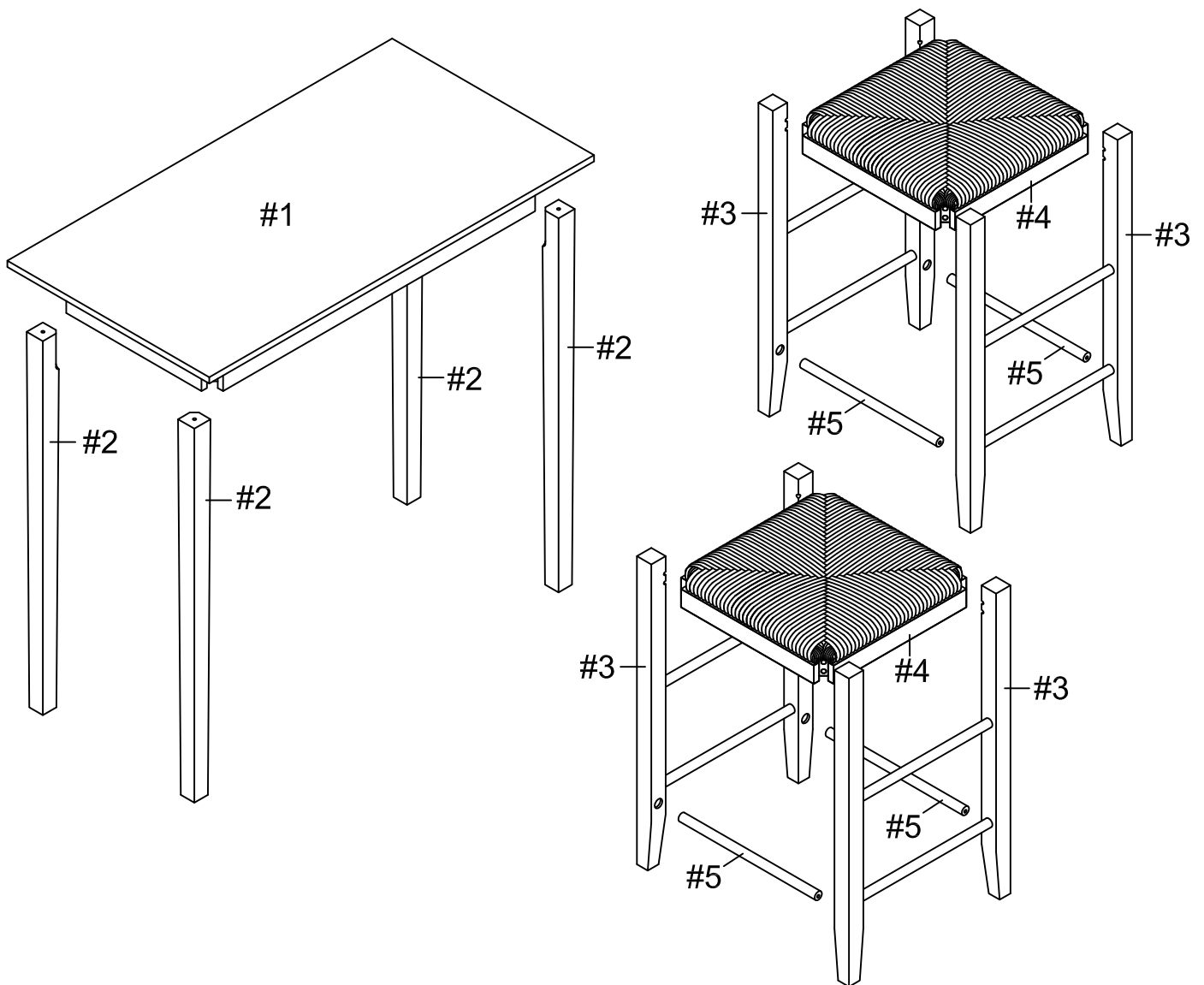
TABLE WITH 2 STOOLS



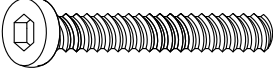









We are here to help!

Parts Identification

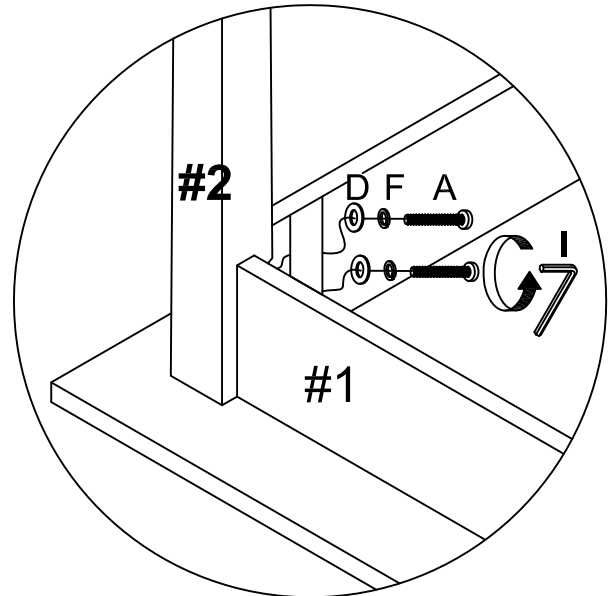
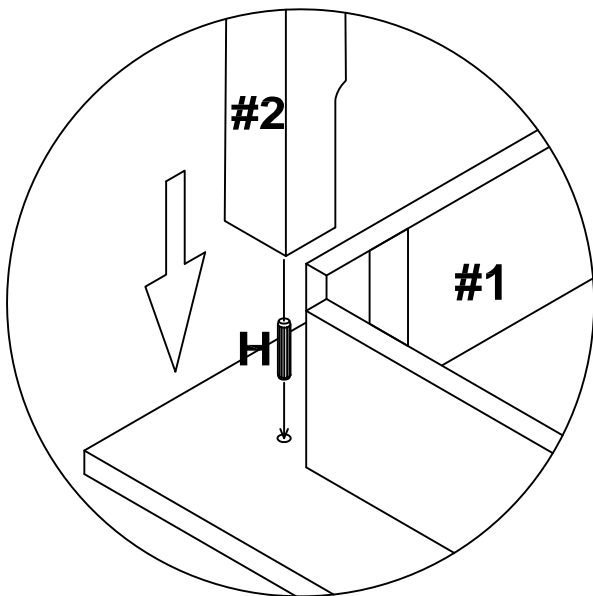
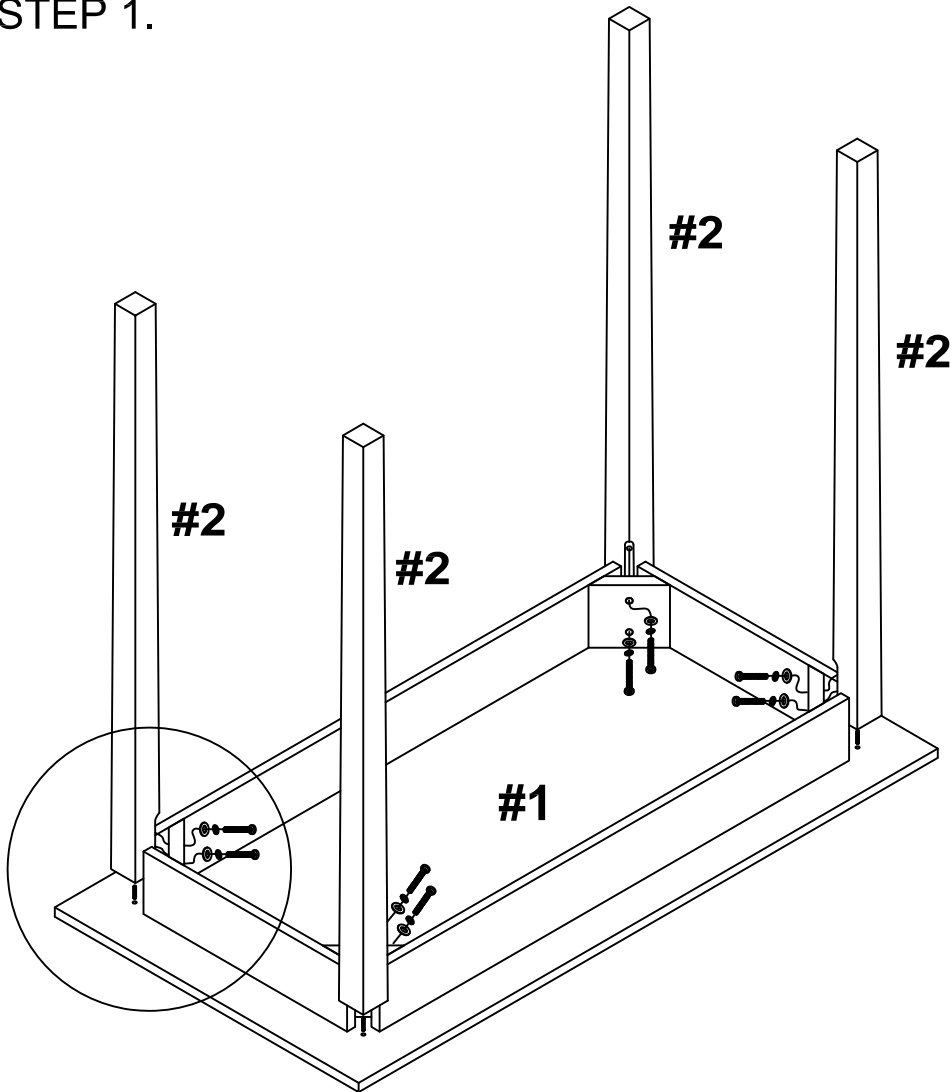
ITEM	DESCRIPTION	QTY
#1	TABLE TOP	01
#2	TABLE LEG	04
#3	SIDE FRAME OF STOOL	04
#4	RUSH SEAT PANEL	02
#5	CROSS BAR OF STOOL	04



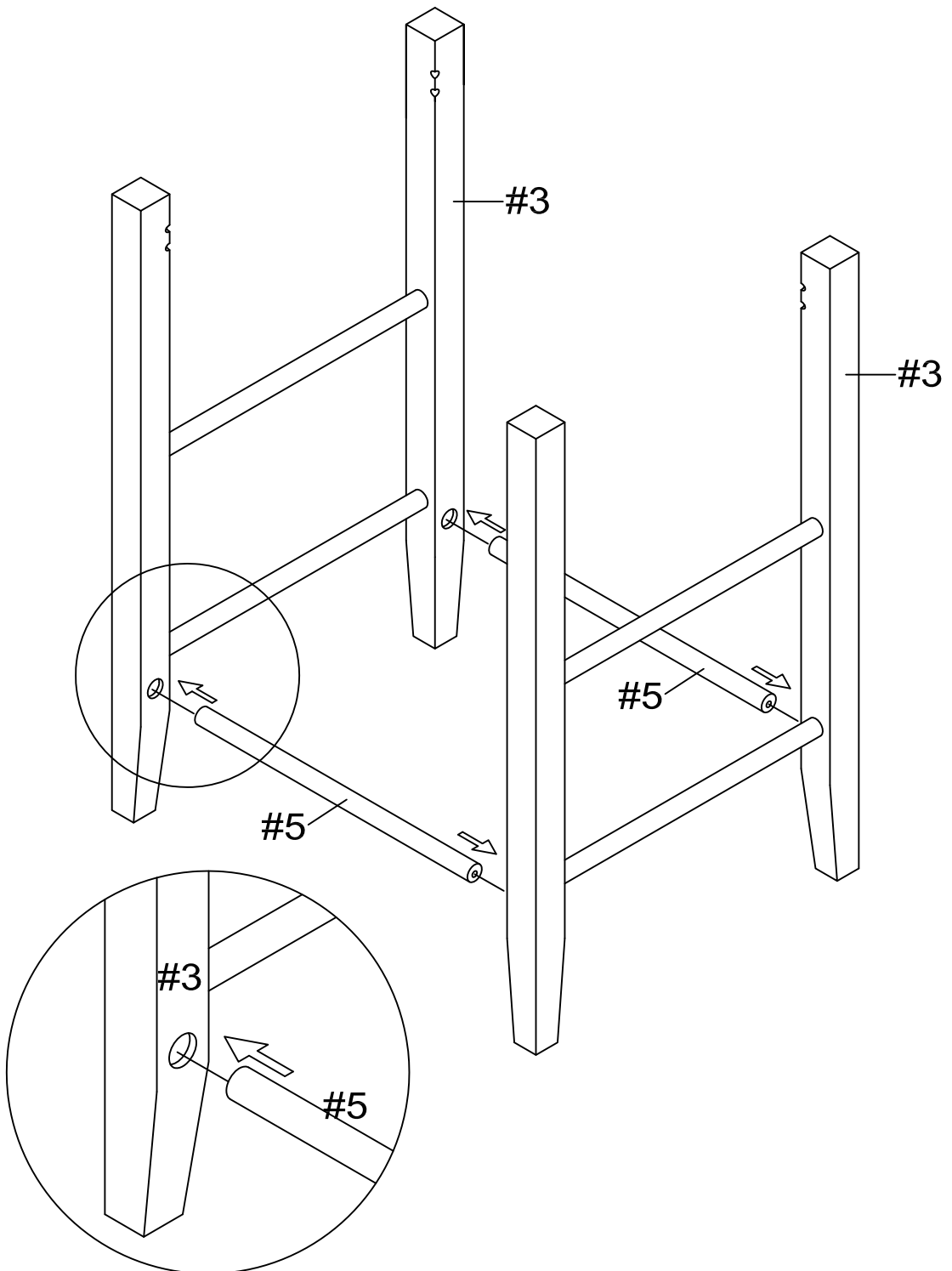
Hardware Identification

ITEM	PICTURE	DESCRIPTION	QTY
A		LONG SCREW	08
B		SHORT SCREW	16
C		WOOD SCREW	08
D		LARGE FLAT WASHER	08
E		SMALL FLAT WASHER	16
F		LARGE SPRING WASHER	08
G		SMALL SPRING WASHER	16
H		WOOD DOWEL	04
I		ALLEN KEY	01
J		ALLEN KEY	01

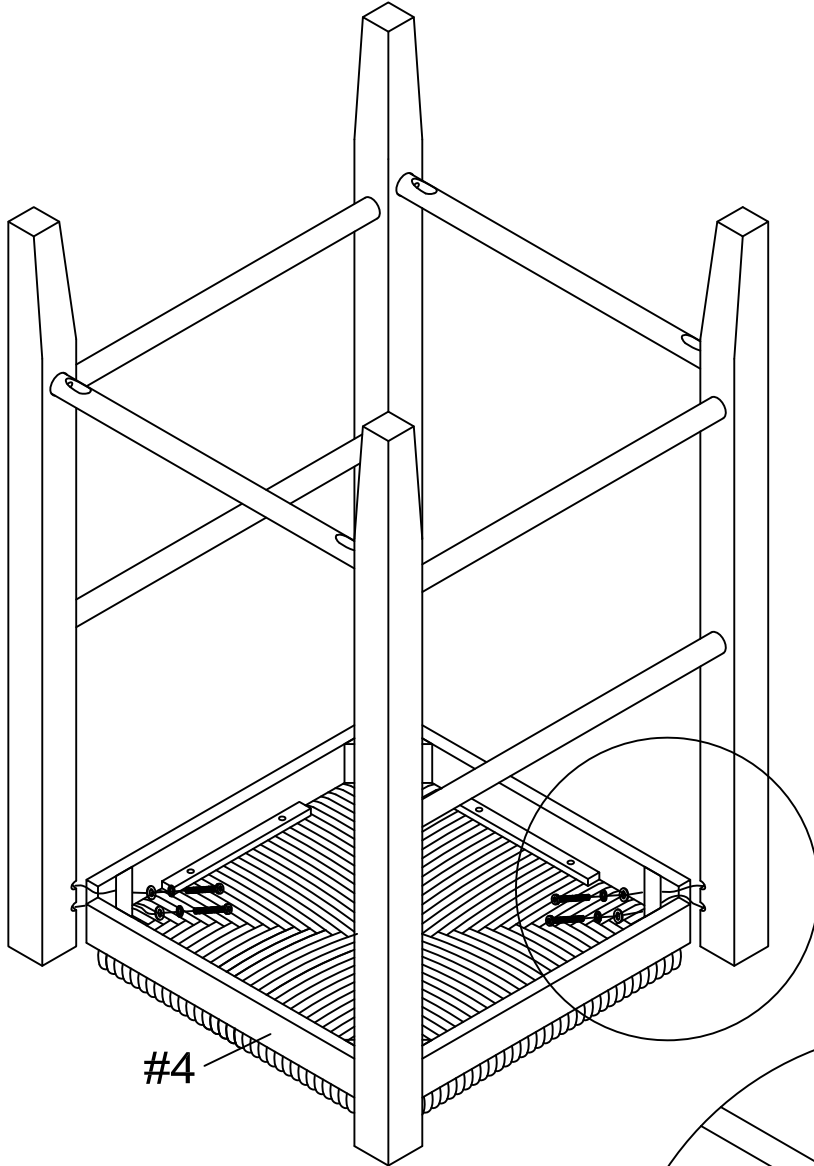
STEP 1.



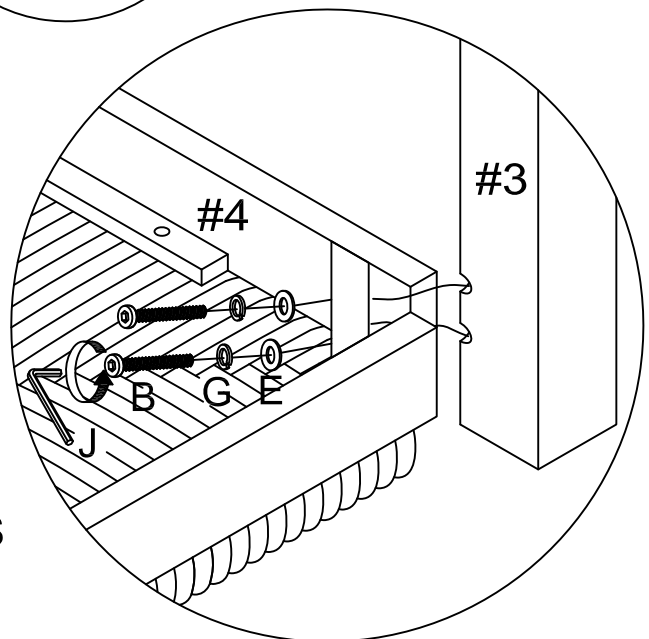
STEP 2.



STEP 3.

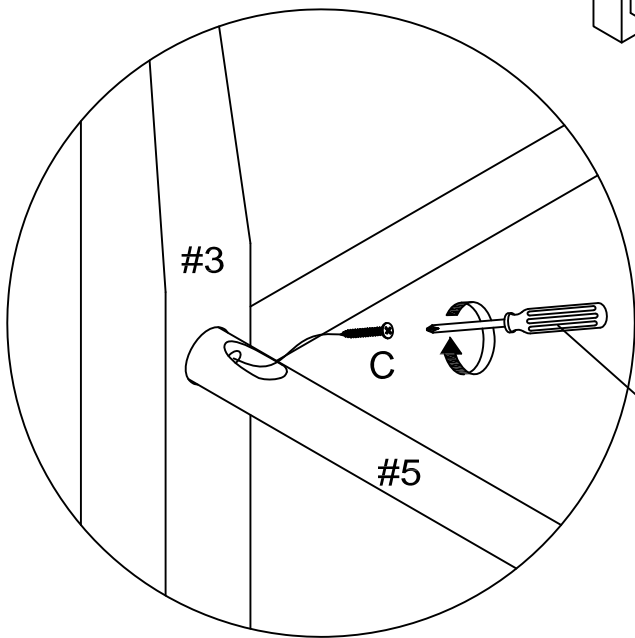
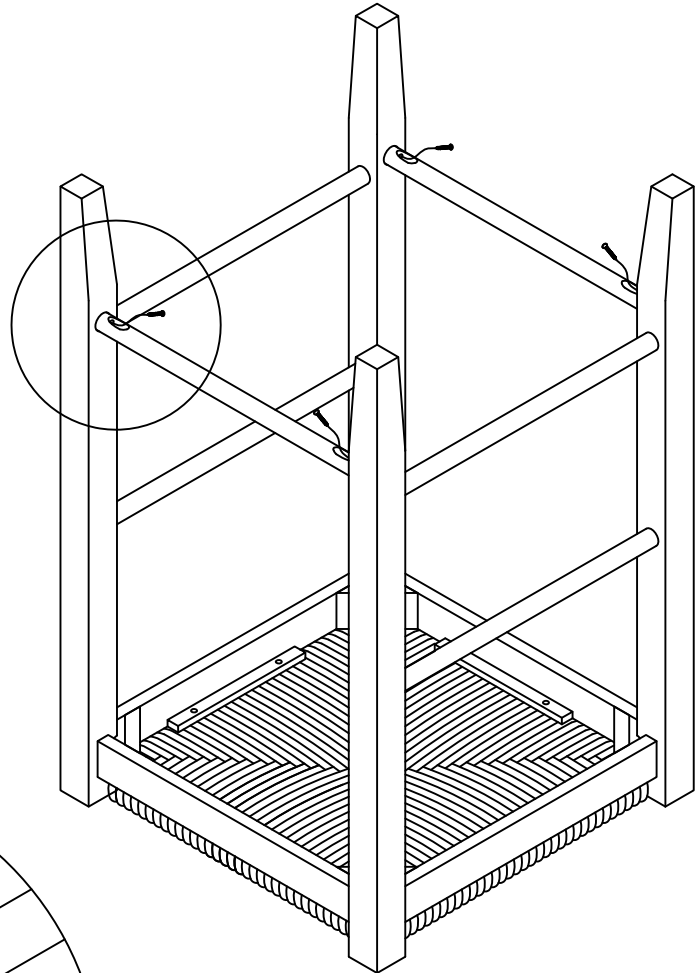


#4



FOLLOW THESE INSTRUCTIONS
FOR ALL FOUR CORNERS
OF THE STOOL SEAT.

STEP 4.



SCREWDRIVER
(NOT PROVIDE)

LIMITED WARRANTY

WHAT IS COVERED

WHAT IS NOT COVERED

HOW TO OBTAIN SERVICE