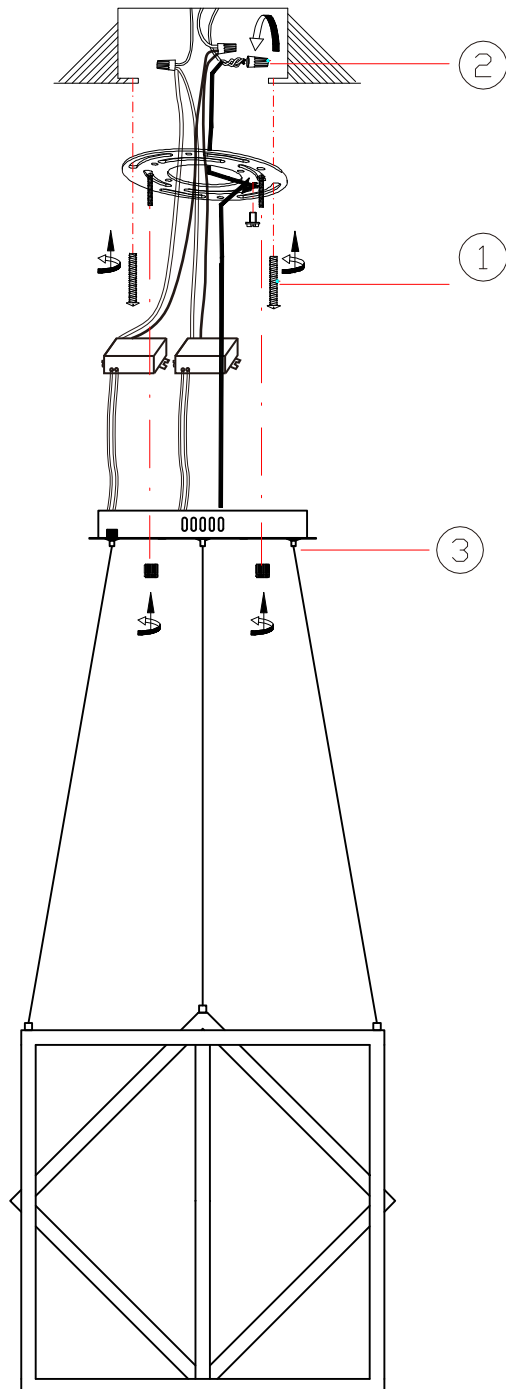


CA2468-H



## Installation steps:

1. Attach the mounting bracket to the outlet box using two mounting screws.
2. Pull out the source wires from the outlet box. Make wire connections using wire nuts as follows:
  - Connect the white wire from the fixture to the white wire from the power source.
  - Connect the black wire from the fixture to the black wire from the power source.
  - Attach the fixture grounding wire to the mounting strap with the green grounding screw, and then connect it to the house grounding wire with a wire nut.Carefully tuck the wires back into the outlet box.
3. Assemble the canopy to the mounting bracket with the ball nut.

## Notice:

1. Before installation, please check whether the parts are complete and whether the lamps are in good condition.
2. Cut off the power supply before installation, and then perform wiring.
3. Install the lamp body first, and then install the power supply.
4. Installation and maintenance must be carried out by professional and technical personnel.