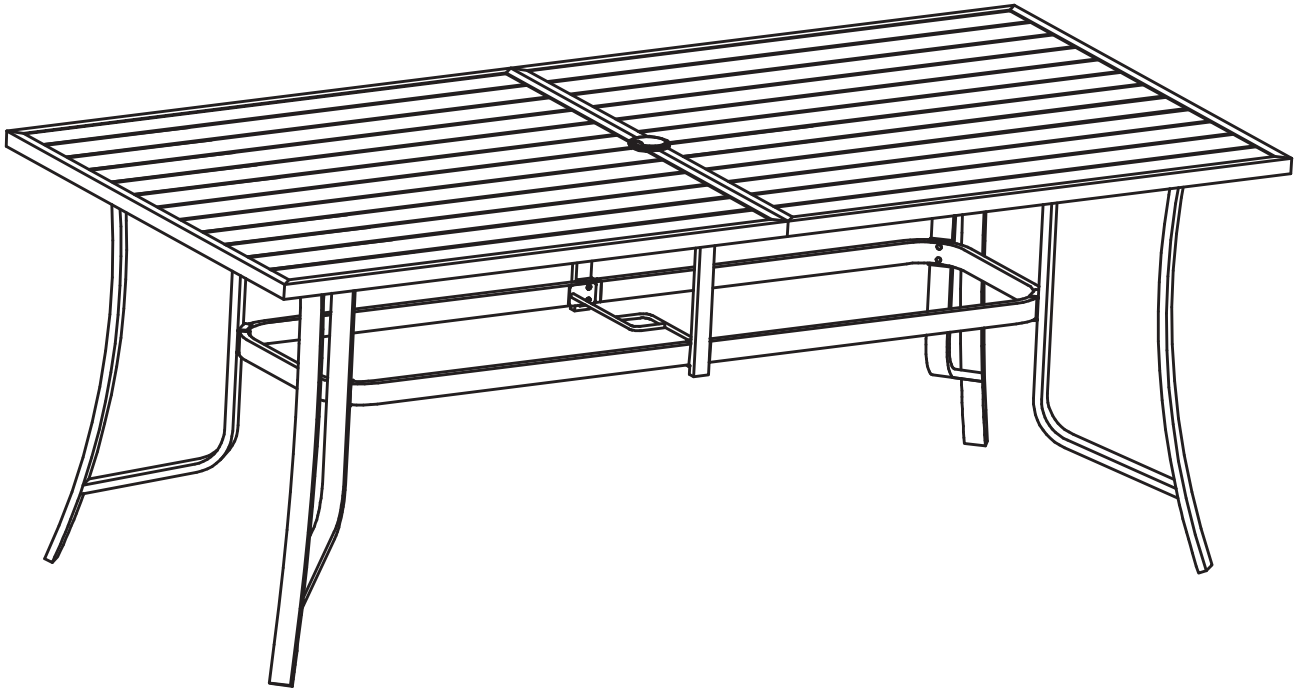


Outdoor Dining Table Manual



Product Description

Diverse Choices: Whether it is a family gathering, outdoor barbecue or restaurant setting, our dining table can adapt perfectly to meet your personalized needs.

Sturdy Structure: Made of high-quality materials and rigorously tested to ensure stability for long-term use.

Anti-slip Base: The exquisitely designed base increases friction, effectively prevents tilting or sliding, and ensures dining safety.

Wear-resistant surface: The specially treated surface is scratch-resistant and waterproof, easy to clean, and keeps the table beautiful as new

Easy to clean: The smooth surface makes cleaning easy, just wipe with a damp cloth to remove stains

Regular inspection/maintenance: Regularly check the joints of various parts of the table for wear and tear, and replace or repair as needed to ensure the safety and service life of the table.

Precautions

Flat ground: Make sure the table is placed on a flat, solid ground to avoid tilting or instability.

Surrounding space: Leave enough space for people to walk around to avoid crowding around the table.

Even distribution: Make sure the tableware and food are evenly distributed on the table to avoid tilting due to excessive weight on one side.

Anti-skid mats: Use anti-skid mats or tablecloths to increase the stability of the tableware and prevent it from sliding.

Weight limit: Follow the weight limit provided by the manufacturer and do not place items on the table that exceed the recommended weight.

Proper distribution: Place heavy objects in a dispersed manner to avoid concentrating them in one place.

Regular inspection: Check the stability of the table regularly to ensure that all feet are in even contact with the ground.

Use of foot pads: If the ground is uneven, consider using adjustable foot pads to increase stability.

Safety of sharp objects: Avoid placing sharp or unstable objects on the table to prevent accidental injuries.

Child safety: If there are children dining, ensure that they are safe at the table and avoid bumping into the corners of the table.

Away from fire: Make sure the table is kept a safe distance from flammable objects (such as candlesticks and barbecue equipment). **Safety utensils:** Use heat-resistant tableware and tablecloths to avoid damage caused by high temperatures.

Regular cleaning: Keep the table clean and remove food residues and liquids in time to avoid slipping or breeding bacteria.

Proper maintenance: According to the type of material, regularly use appropriate cleaning agents and maintenance products to extend the service life of the table.

Maintenance Matters

Mild detergent: Use a mild detergent and a damp cloth to wipe the surface of the table regularly.

Avoid using strong acid or alkaline detergents, which may damage the surface coating.

Deal with stains quickly: If there are food residues or liquid splashes, please clean them immediately to prevent the stains from drying

Light protection: Try to place the table in a place where it is not exposed to direct sunlight for a long time to prevent the material from fading and deformation.

Avoid scratches: Use a placemat or cutting board, and avoid cutting or placing hot pots directly on the tabletop to prevent scratches and burns.

Regular inspection: Check the joints of the table regularly to ensure that they are tight to avoid looseness and instability.

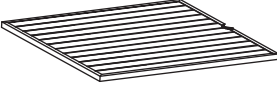



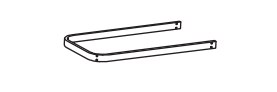






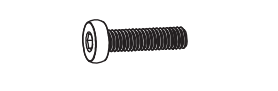







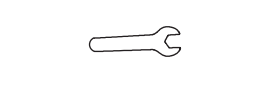
Adjust the foot pads: If you find that the table is tilted, check the foot pads and make necessary adjustments to ensure that they are stable.

Protective measures: When storing for a long time, you can cover the table with a dust cover to prevent dust accumulation

ASSEMBLY STEPS

1. Unpack the outdoor stainless steel dining table and make sure all parts are complete, including the tabletop, legs, connectors, and installation tools.
2. Lay the tabletop flat on the assembly site, make sure there is enough space to accommodate the entire table, and keep the surrounding environment clean.
3. Use a screwdriver or wrench to install the table legs to the reserved connection ports on the tabletop. Make sure the table legs are firmly connected to the tabletop to increase stability.
4. Follow the diagram in the instruction manual to install the connectors between the table legs and the tabletop, making sure all connectors are fastened in place.
5. After installation, check all parts to make sure they are installed correctly and not loose. Gently shake the table to confirm its stability. Re-tighten the screws or adjust the connections if necessary.

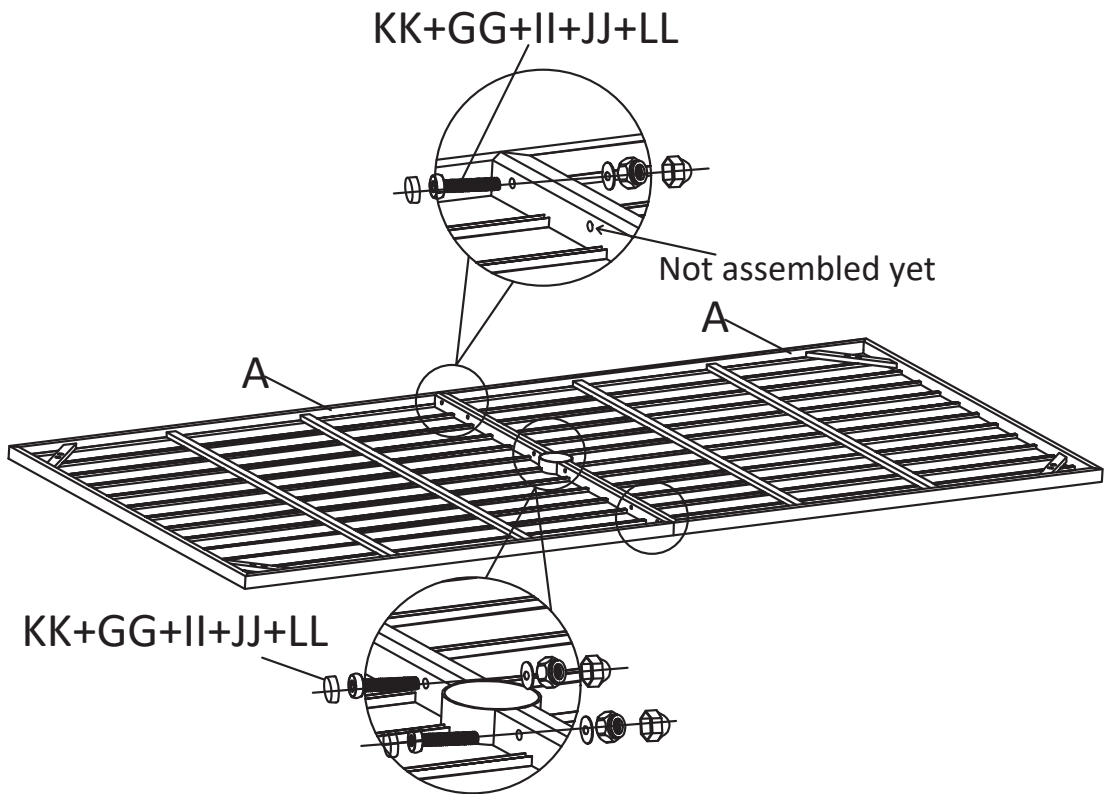
PRODUCT ACCESSORIES LIST

<p>A Tabletop</p>  <p>2pcs</p>	<p>B Table legs</p>  <p>4pcs</p>	<p>C Middle legs</p>  <p>2pcs</p>	<p>D Fixed ring support</p>  <p>1pcs</p>
<p>E Fixed ring ½</p>  <p>1pc</p>	<p>F Fixed ring</p>  <p>1pc</p>	<p>AA Umbrella hole cover</p>  <p>1pc</p>	<p>BB Umbrella hole ring</p>  <p>1pc</p>
<p>CC Umbrella hole sleeve</p>  <p>1pc</p>	<p>DD Umbrella hole tightening cover</p>  <p>1pc</p>	<p>EE Flat head screw</p>  <p>M6*25mm 16pcs</p>	<p>FF Flat head screw</p>  <p>M6*28mm 4pcs</p>
<p>GG Flat head screw</p>  <p>M6*35mm 4pcs</p>	<p>HH Flat head screw</p>  <p>M6*40mm 2pcs</p>	<p>II Gasket</p>  <p>M6 26pcs</p>	<p>JJ Lock nut</p>  <p>M6 6pcs</p>
<p>KK Screw cover</p>  <p>M6 26pcs</p>	<p>LL Nut cover</p>  <p>M6 6pcs</p>	<p>MM Inner hexagon wrench</p>  <p>M6 1pc</p>	<p>NN External hexagon wrench</p>  <p>M6 1pc</p>

ASSEMBLY STEPS

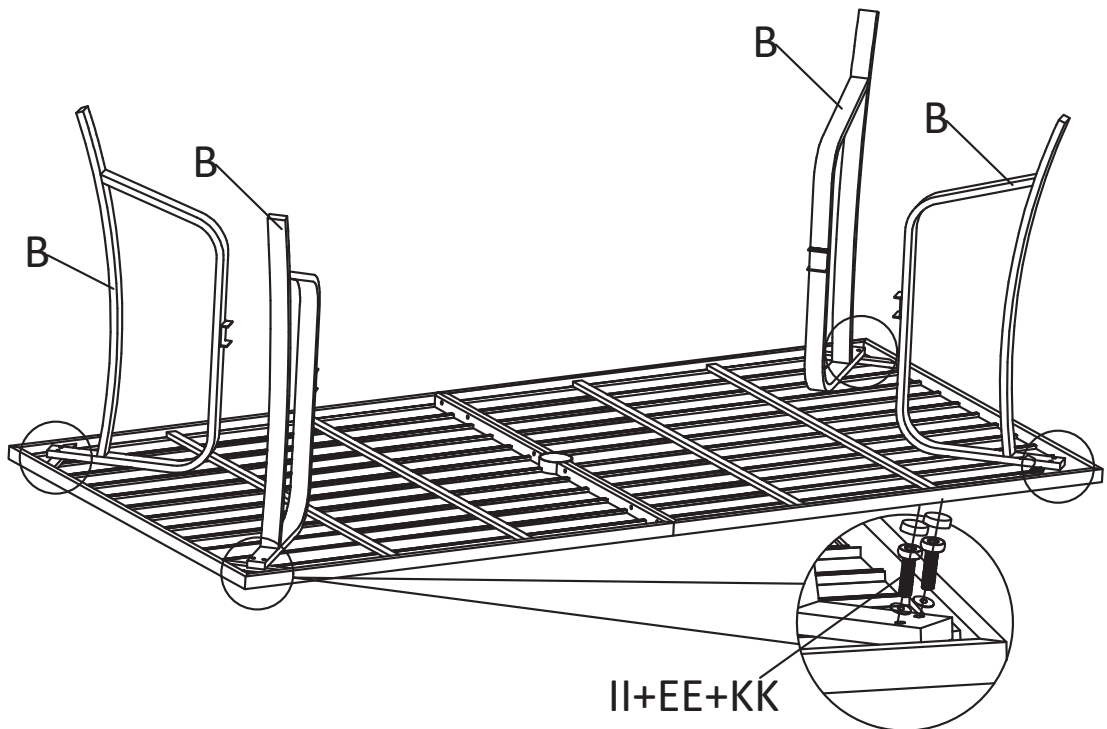
Step 1: Assemble the two desktops together, using M6*35 screws, a total of 4. Note that the middle holes at both ends do not need to be assembled for the time being.

1



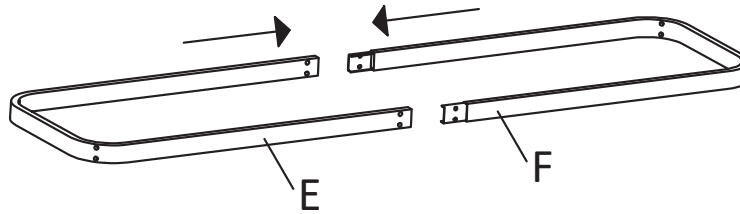
Step 2: Assemble the 4 feet on the desktop, using M6*25 screws, a total of 8.

2



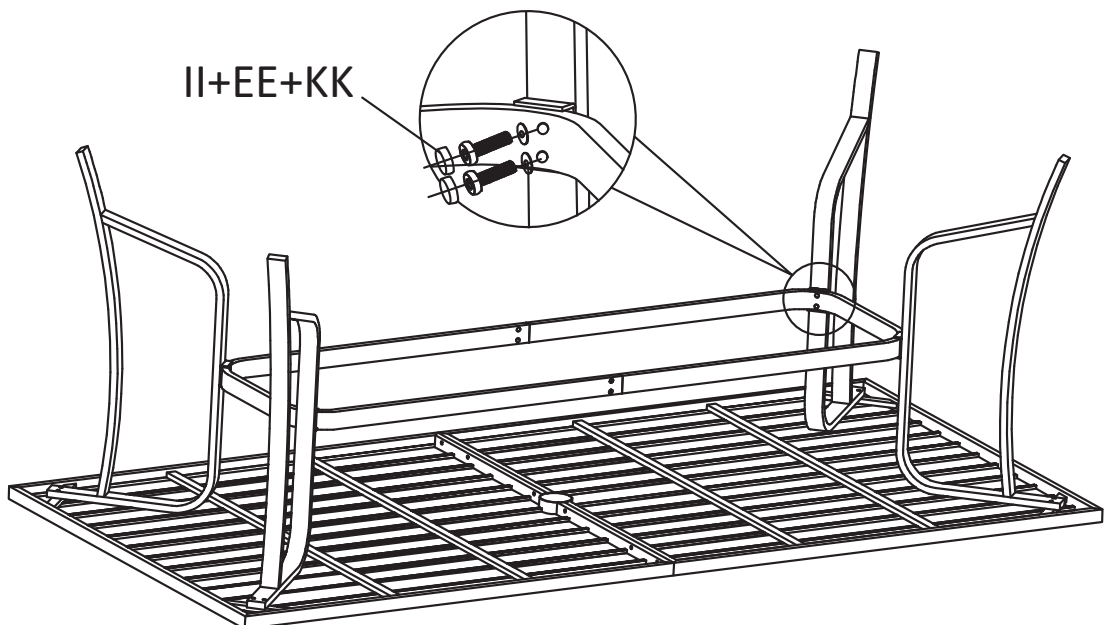
Step 3: Connect the 2 fixing rings together.

3



Step 4: After completing the previous step, connect the fixing ring to the foot, using M6*25 screws, a total of 8. It is recommended to stabilize the other end when assembling one end.

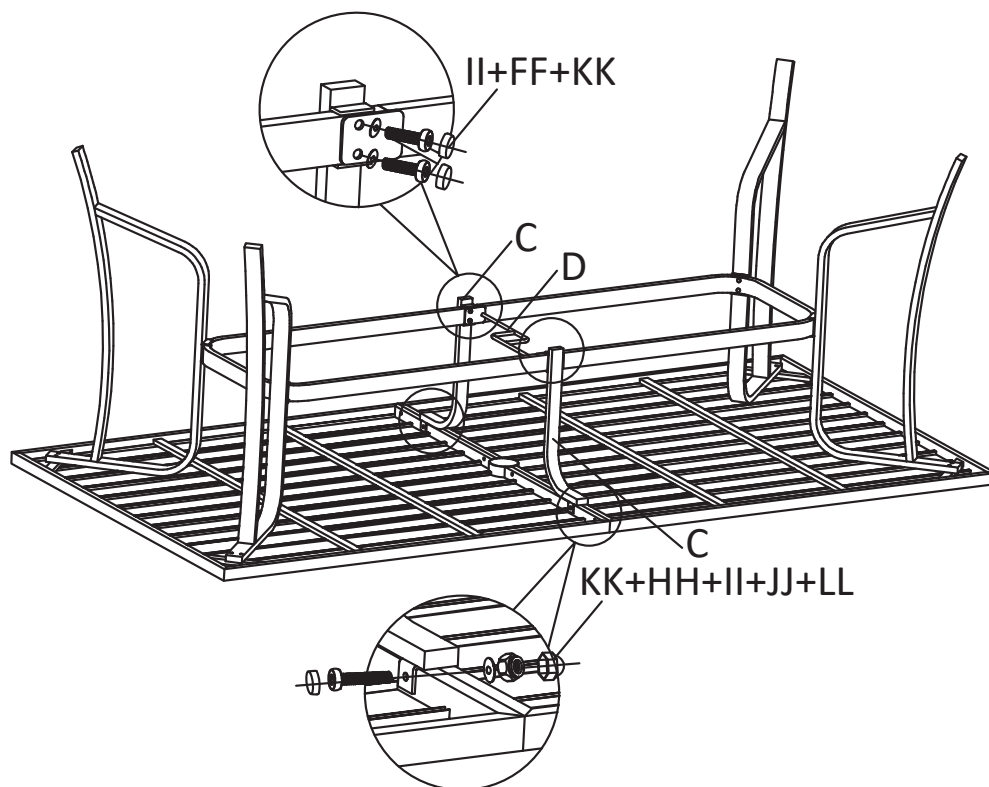
4



KK:8PCS
EE:8PCS
II:8PCS

Step 5: Assemble the middle leg, use M6*40 for the upper part and M6*28 for the lower part, a total of 6 screws, clamp the middle leg connection on the desktop, align it with the hole, tighten the screws, and then tighten the screws on the main part of the fixing ring, and tighten all 6 screws at the same time.

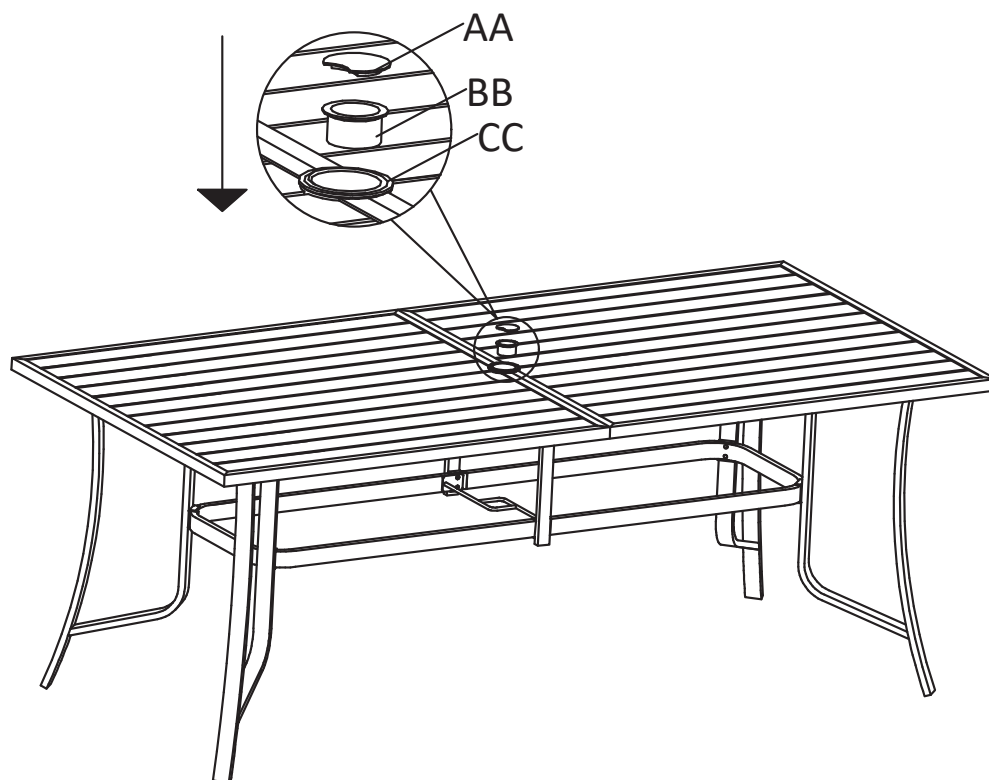
5



KK:6PCS
 HH:2PCS
 II:6PCS
 JJ:2PCS
 LL:2PCS
 FF:4PCS

Step 6: Place the umbrella rings on the umbrella holes in turn.

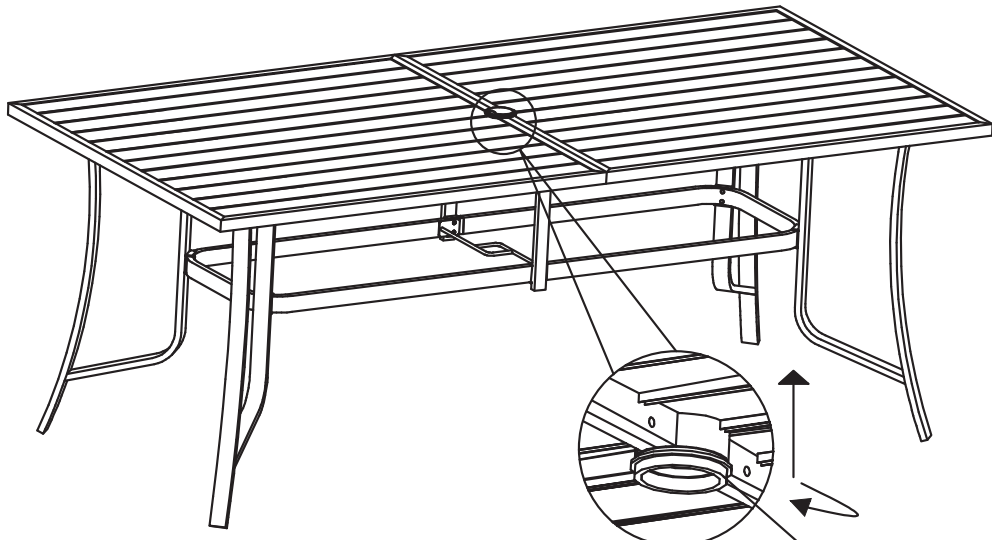
6



AA:1PCS
 BB:1PCS
 CC:1PCS

Step 7: After completing the previous step, tighten the knob from the bottom.

7



(DD) Rotate counterclockwise to lock

DD

DD:1PCS

Guide to using outdoor stainless steel dining table

Choose a suitable location: Place the dining table in a flat, dry place, avoiding direct exposure to strong wind or rain.

Guide to use: Before dining, make sure all tableware and food are ready to attract family or guests to the dining area.

Create atmosphere: Add flowers, candles or decorations to the dining table to enhance the dining experience and atmosphere.

Add fun: When dining outdoors, you can prepare some relaxing music or games to increase the fun of dining.

Clean regularly: Use a suitable stainless steel cleaner and soft cloth to clean the table regularly to remove stains and water stains to keep the appearance bright.

Precautions

Solid installation: Before assembling and using the dining table, make sure all parts are tightened to avoid affecting stability.

Safe use: When dining, pay attention to the surrounding environment and avoid placing hot food or heavy objects on the edge to prevent tipping.

Monitor the weather: In bad weather, please move the dining table indoors in time to prevent damage.

Customer service

Question consultation: If you encounter any problems during use, please contact us in time and we will respond to you within 24 hours.

Feedback: We value your opinions and welcome you to share your experience or suggestions with us at any time. Have a great meal!