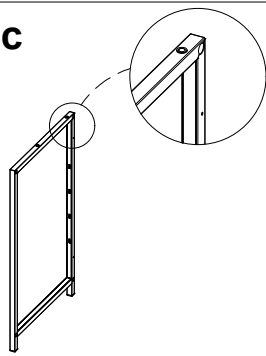
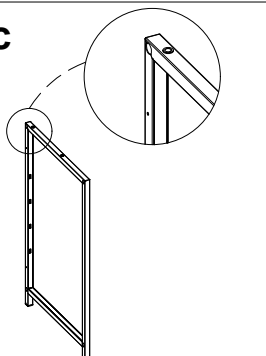
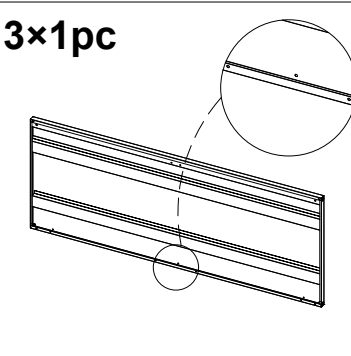
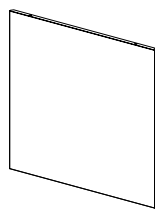
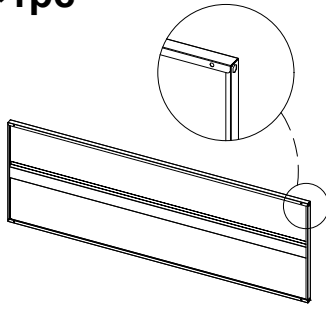
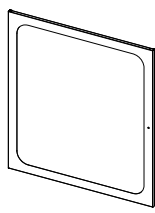
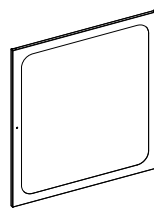
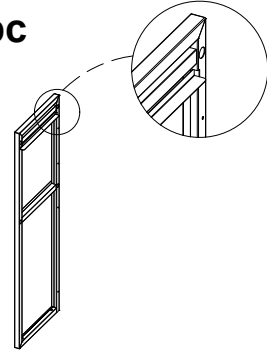
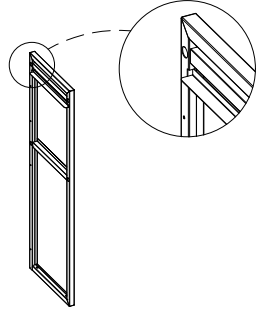
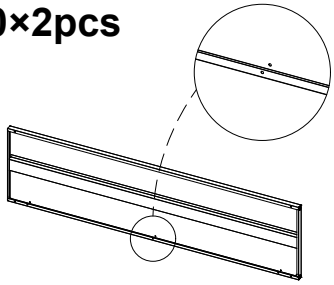
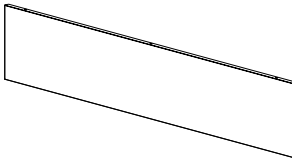
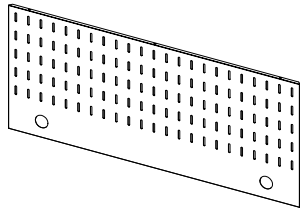
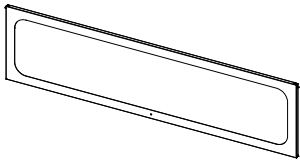
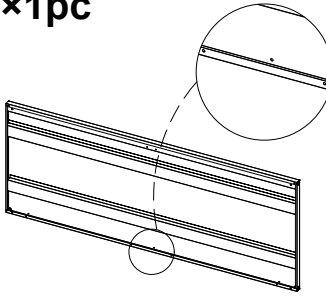
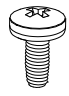
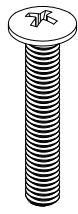




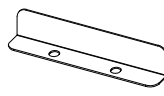






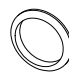

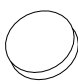

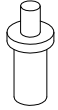


1×1pc 		2×1pc 		3×1pc 		4×2pcs 	
5×1pc 		6×1pc 		7×1pc 		8×1pc 	
9×1pc 		10×2pcs 		11×1pc 		12×1pc 	
13×1pc 		14×1pc 					
A×38pcs  M4×8mm	B×20pcs  M6×35mm	C×3pcs  M4×18mm	D×2pcs  M4	E×2pcs 	F×3pcs 	G×2pcs 	H×1pc 
I×2pcs 	J×2pcs 	K×4pcs 	L×6pcs 	M×4pcs 	N×2pcs 	O×1pc  3M 	P×4pcs 

Q×4pcs



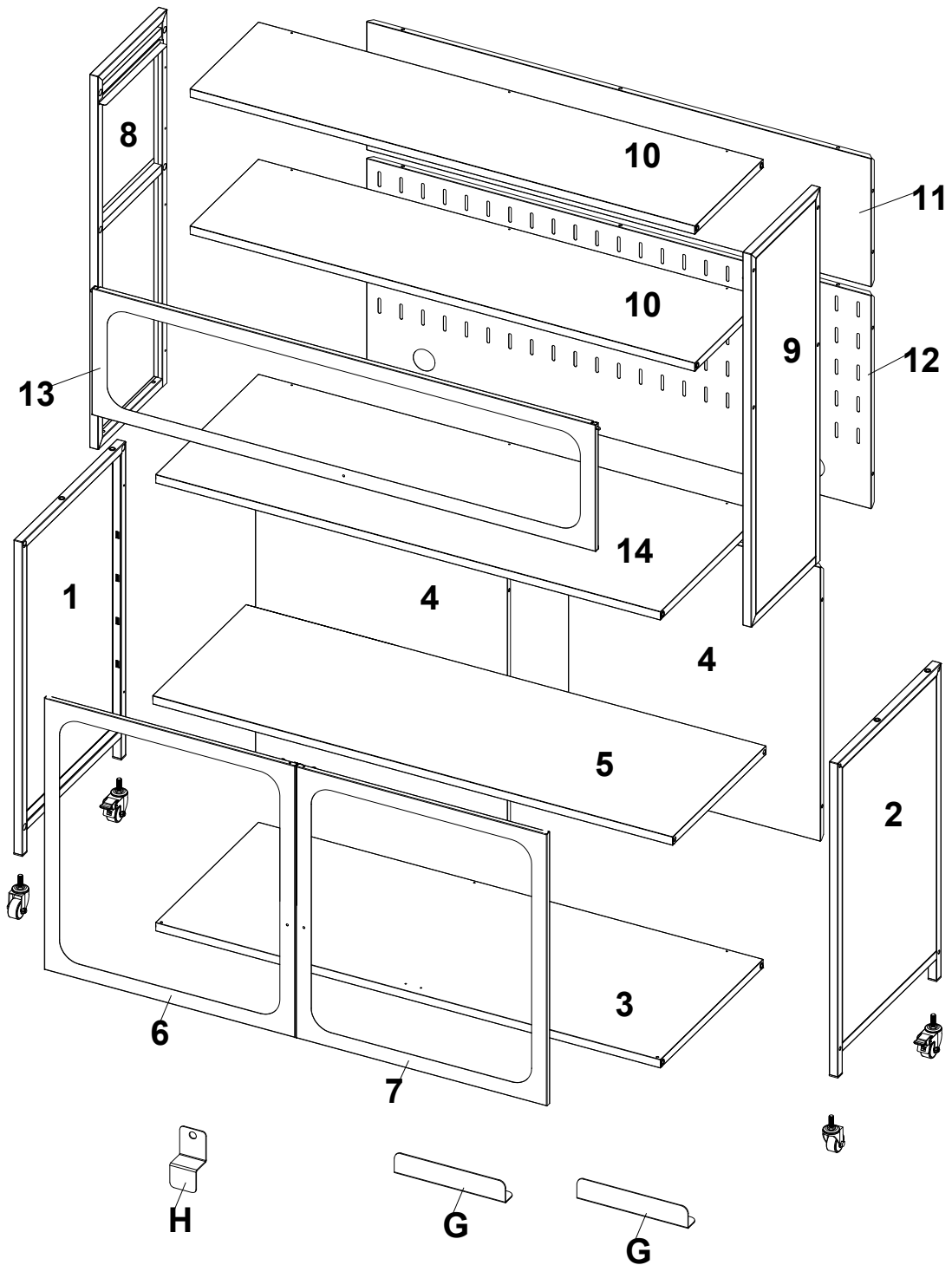
R×4pcs



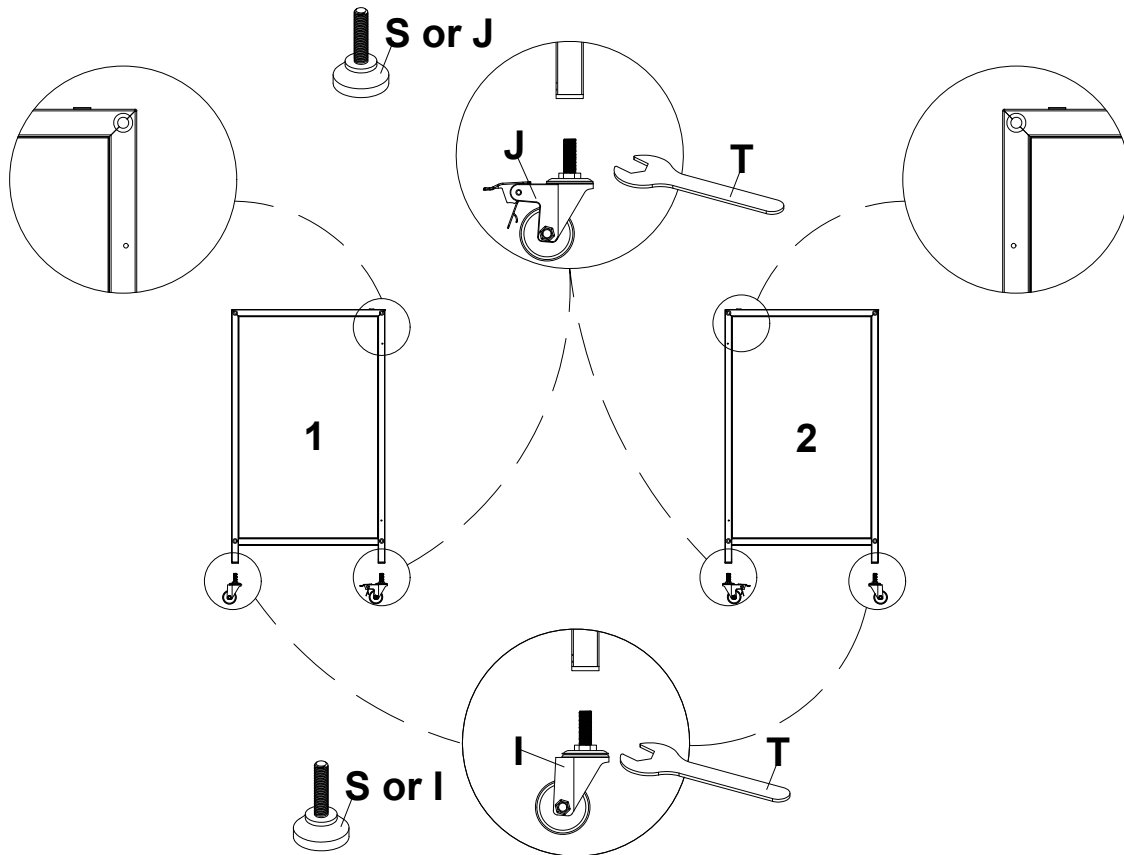
S×4pcs



T×1pc

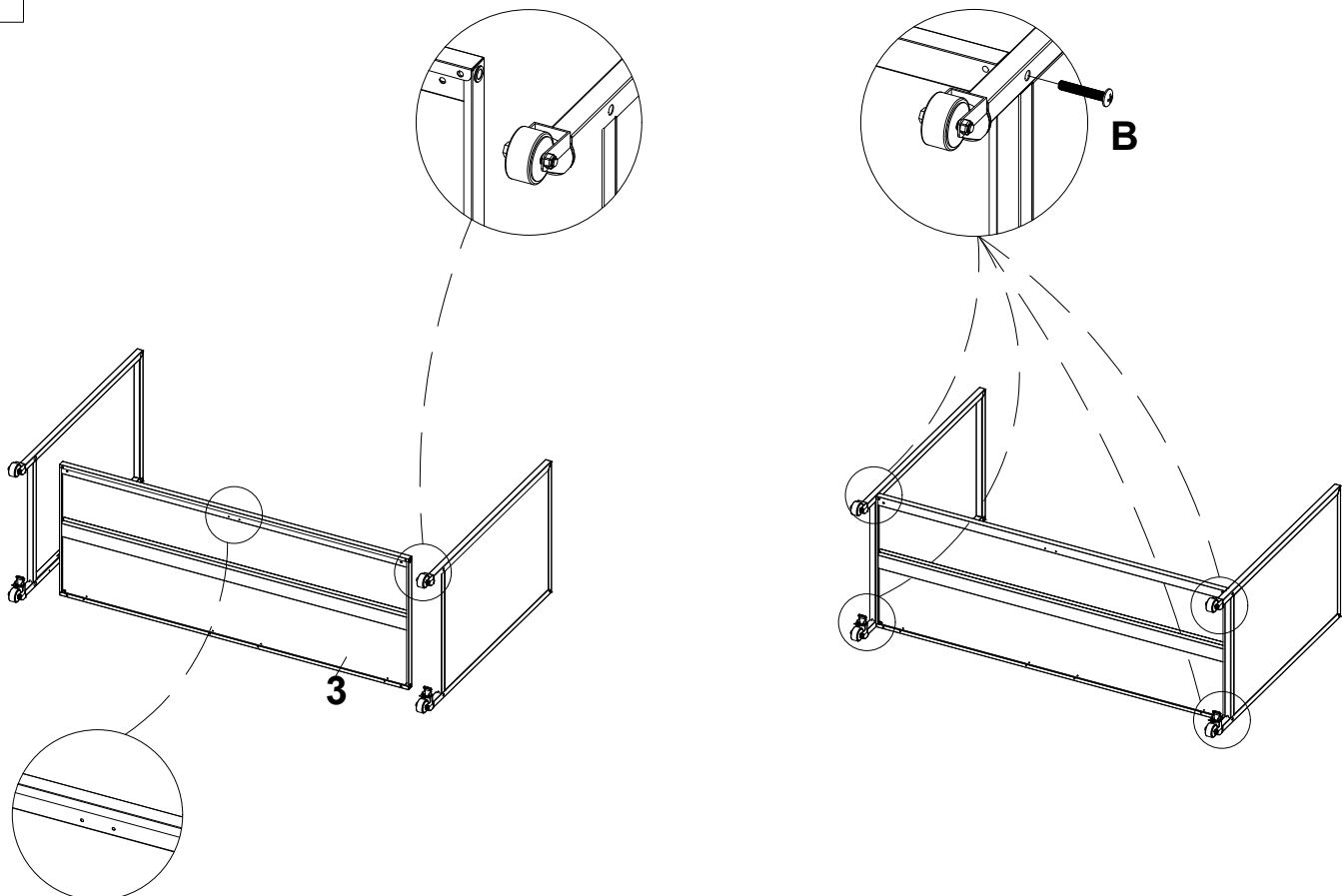


1



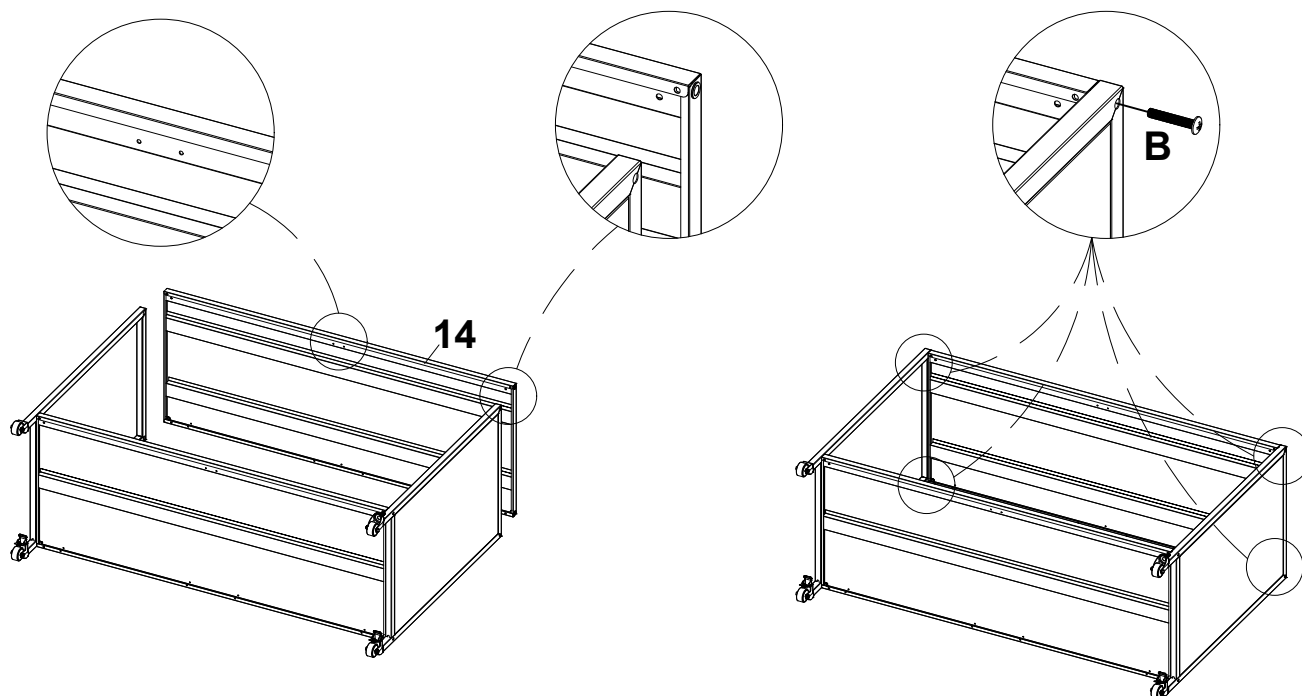
I×2	J×2	S×4	T×1
-----	-----	-----	-----

2



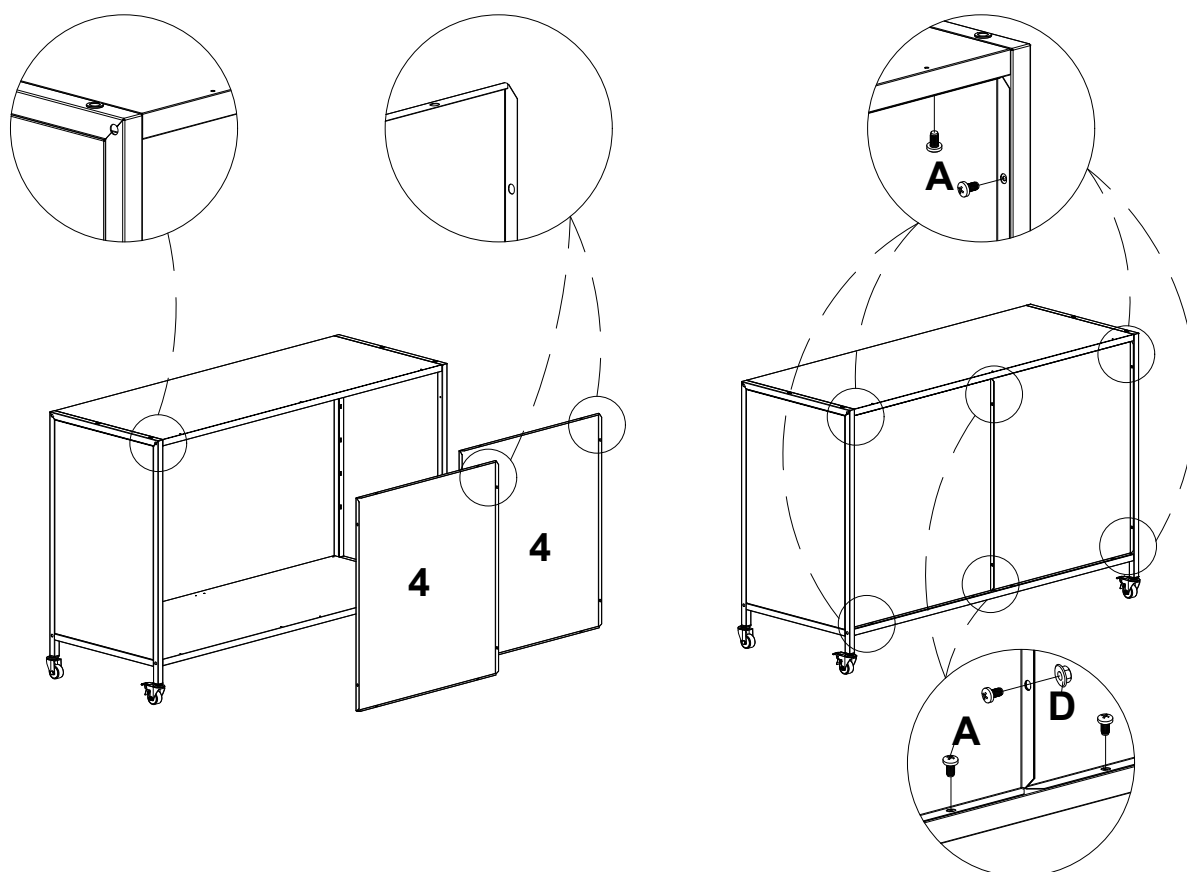
B×4
-----

3



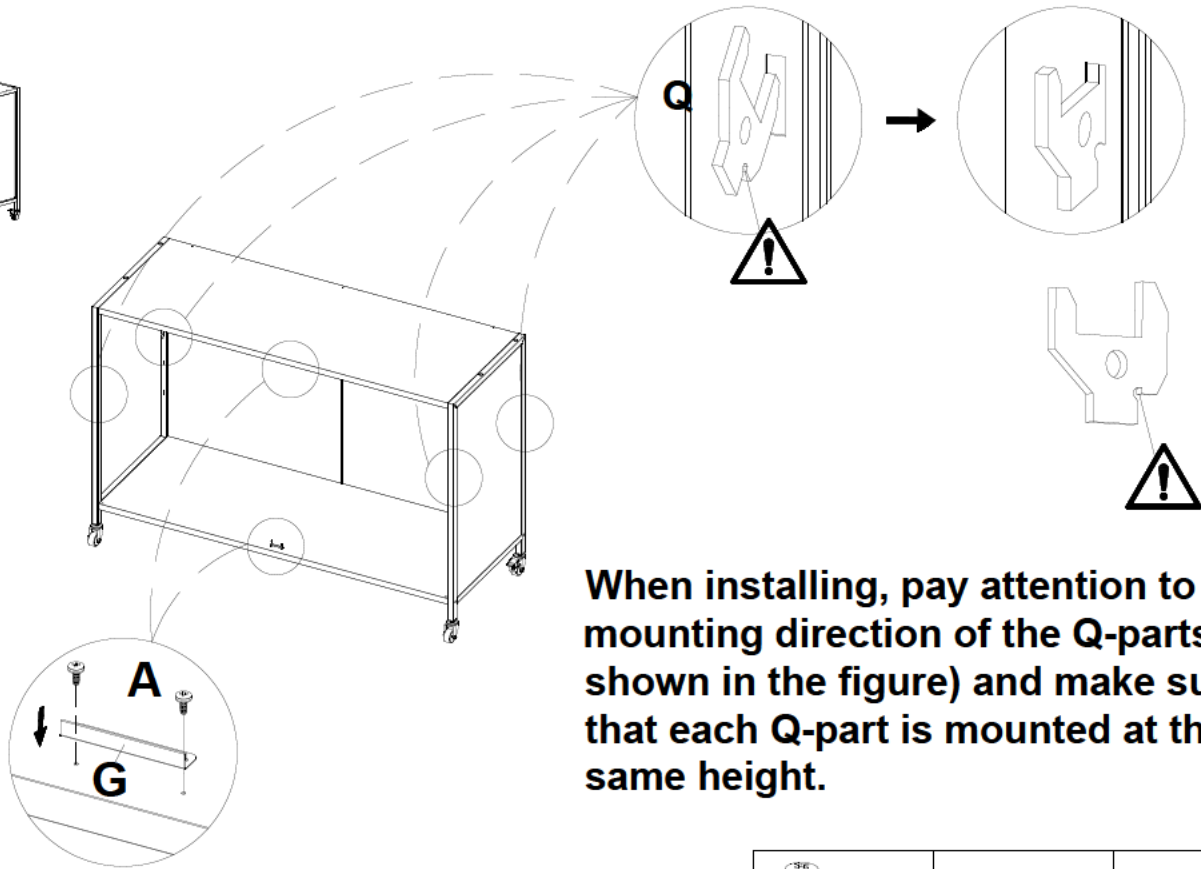
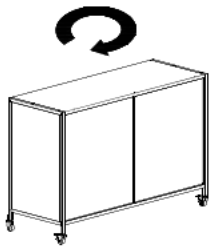
 B×4

4



 A×14  D×2

5



When installing, pay attention to the mounting direction of the Q-parts (as shown in the figure) and make sure that each Q-part is mounted at the same height.



Ax4

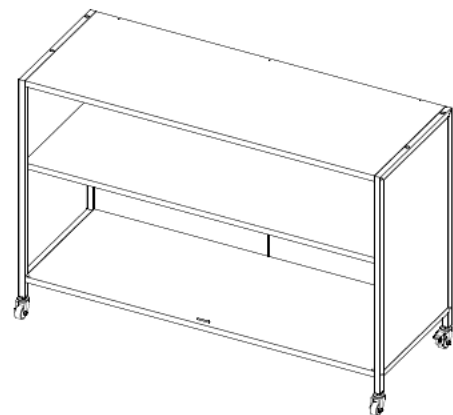
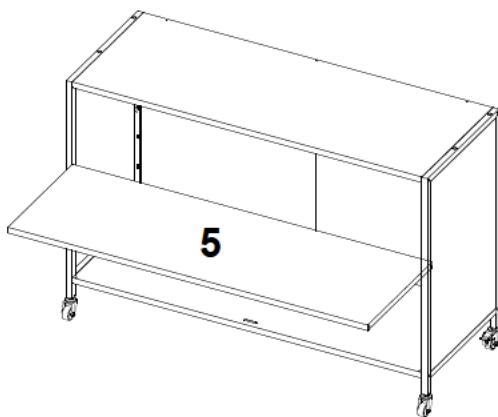


Gx2

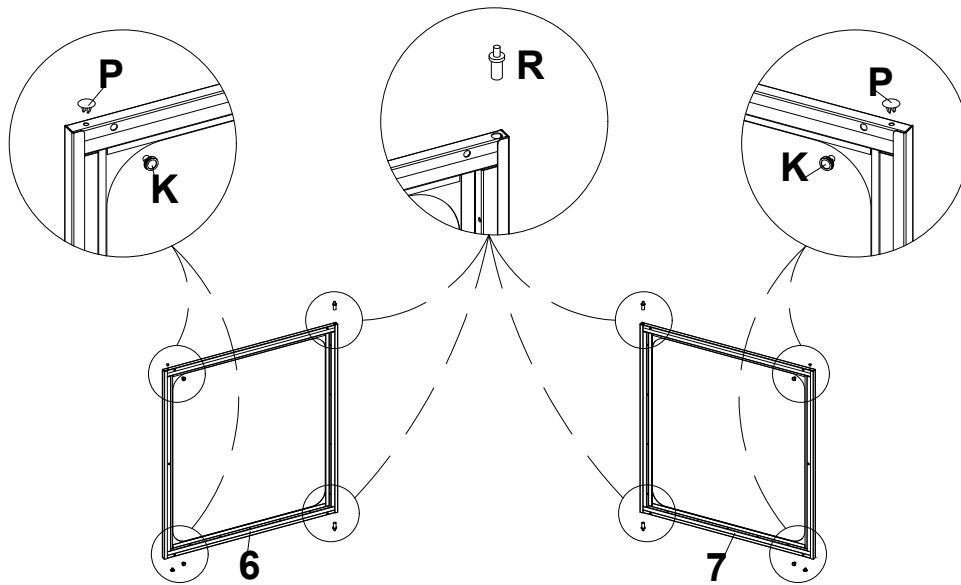


Qx4

6

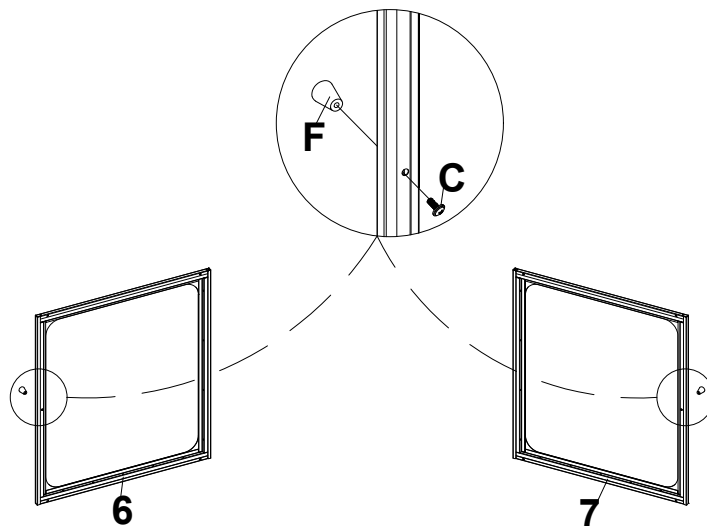




7



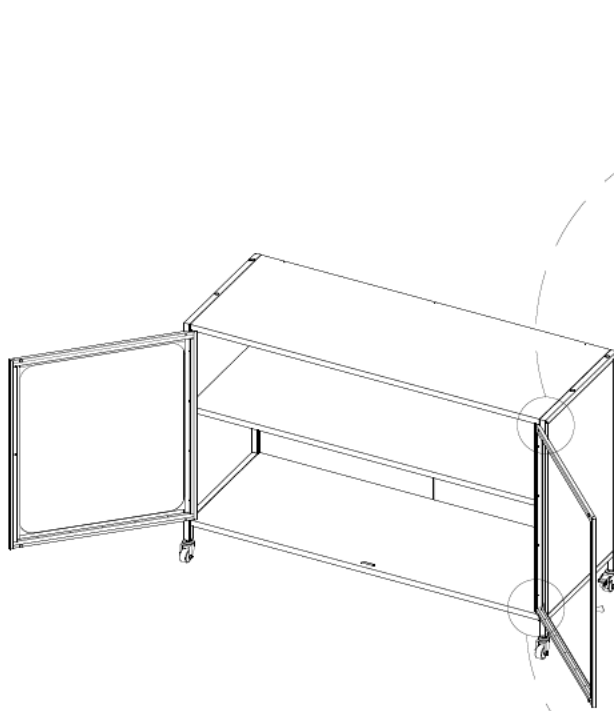
 <b>Kx4</b>	 <b>Px4</b>	 <b>Rx4</b>
--	--	--

8

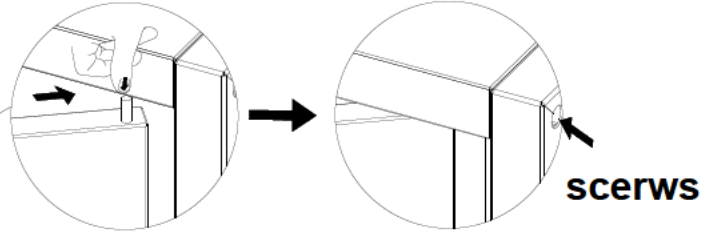


 <b>Cx2</b>	 <b>Fx2</b>
--	--

9

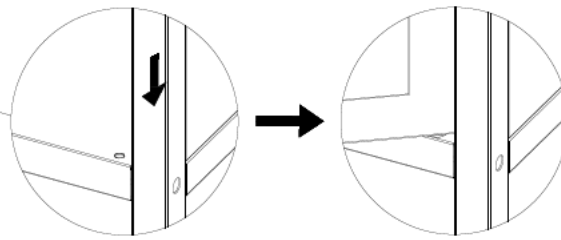


**STEP 2**

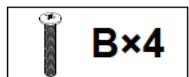
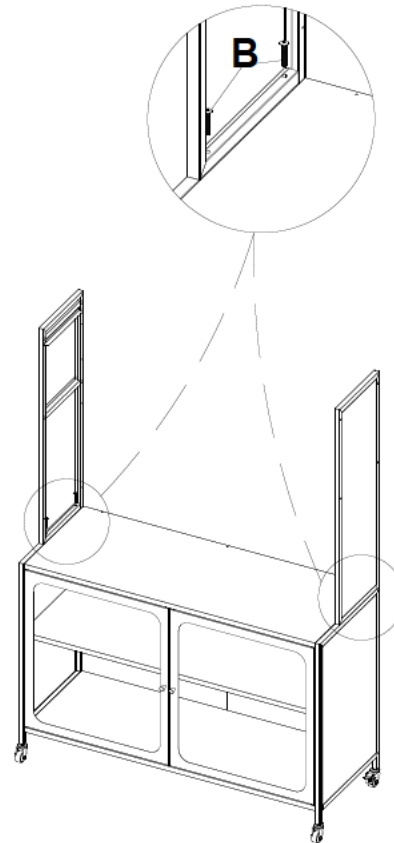
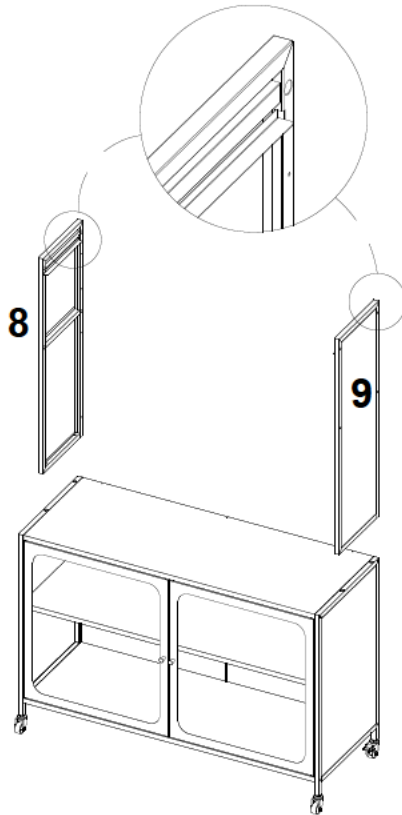


If the upper door shaft does not fit into the position shown in the illustration, you can send off the top screw on the same side and then install it (the screws are pointed out by arrows).

**STEP 1**

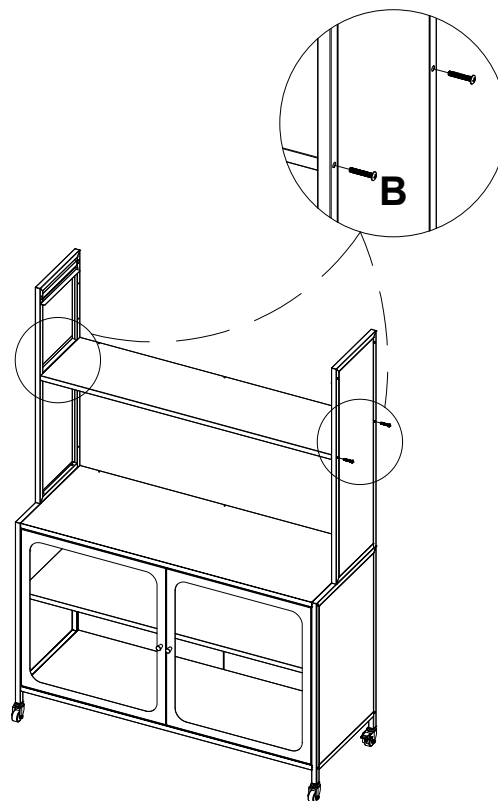
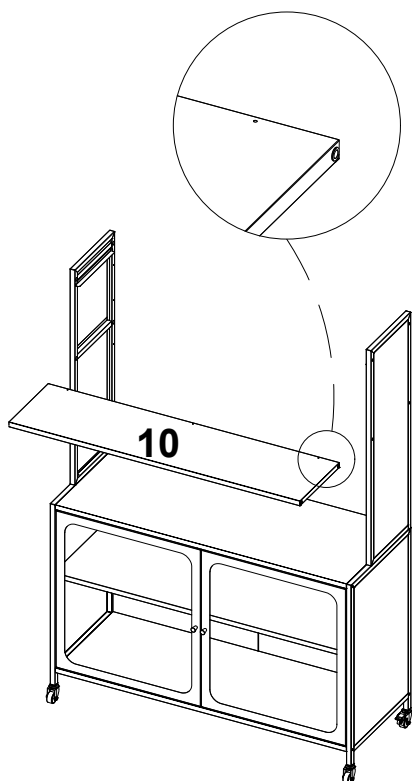


10



11

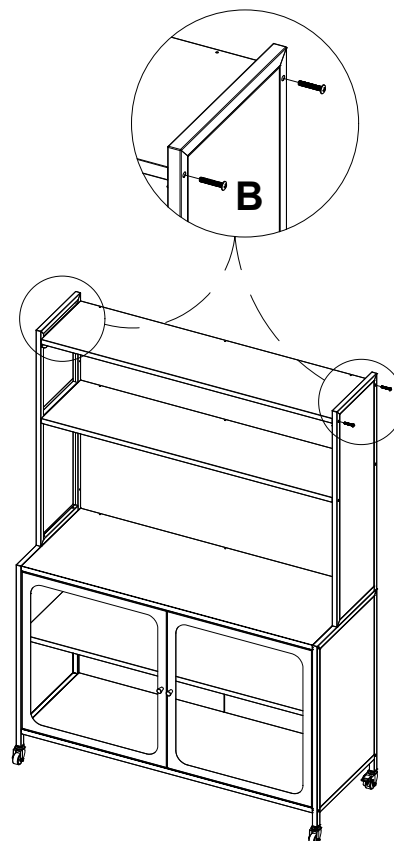
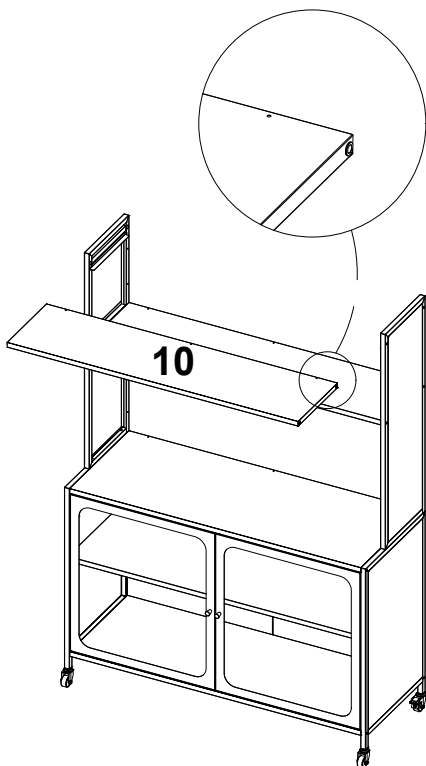
The side with the hole in the surface is at the back



 Bx4

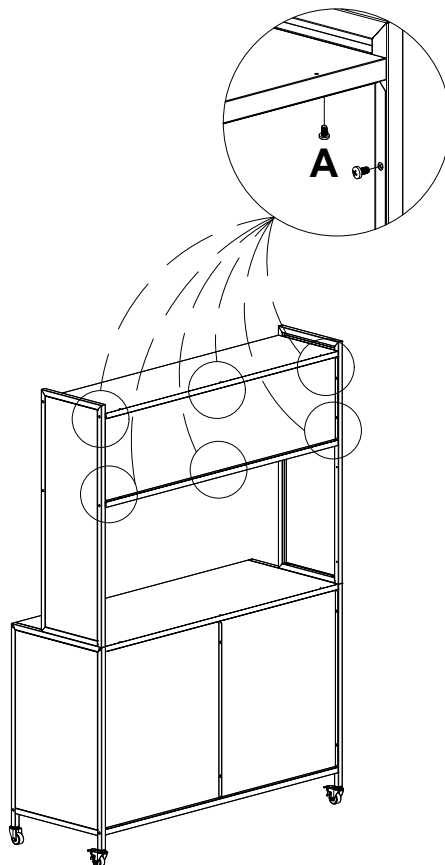
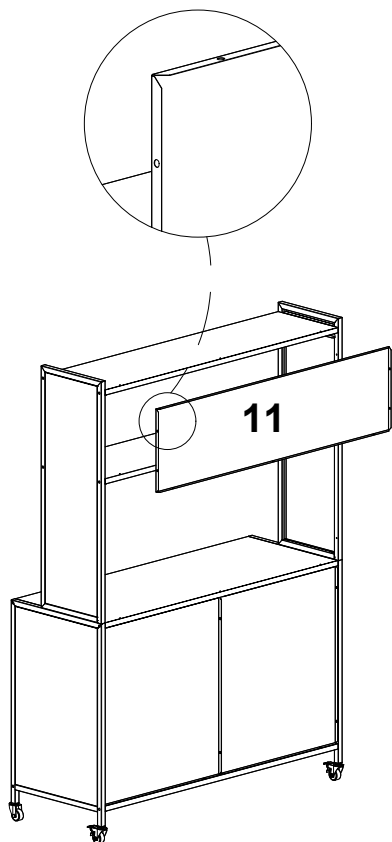
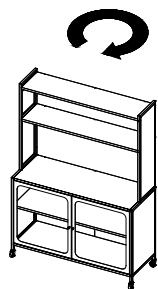
12

The side with the hole in the surface is at the back

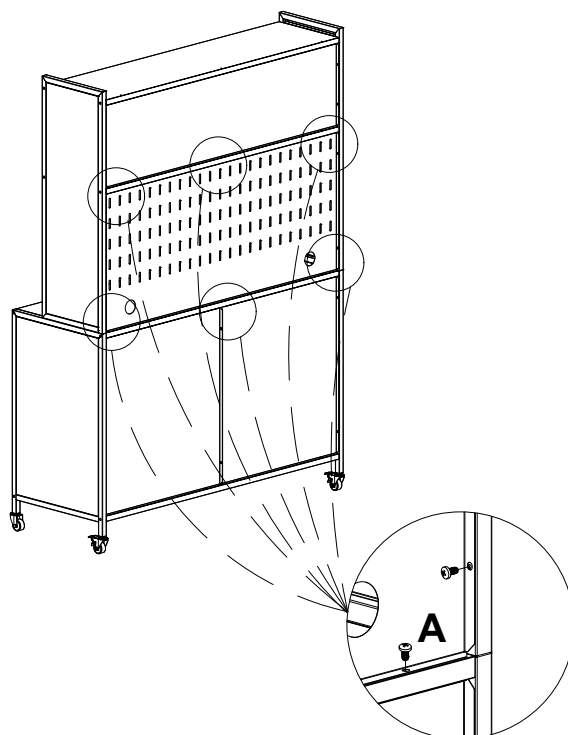
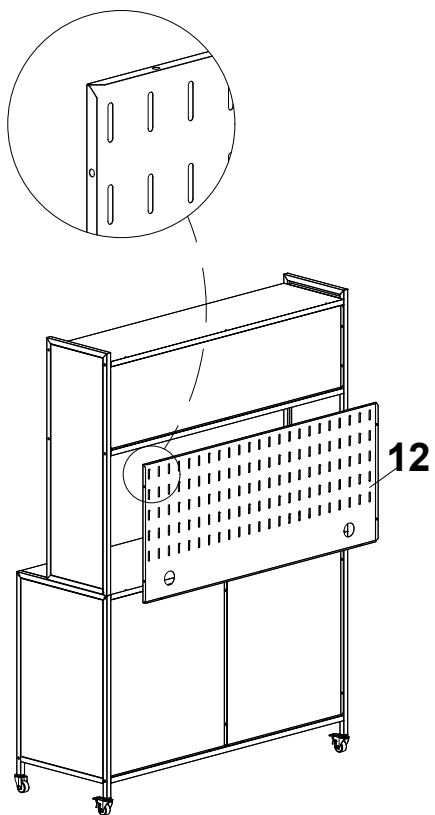


 Bx4

13

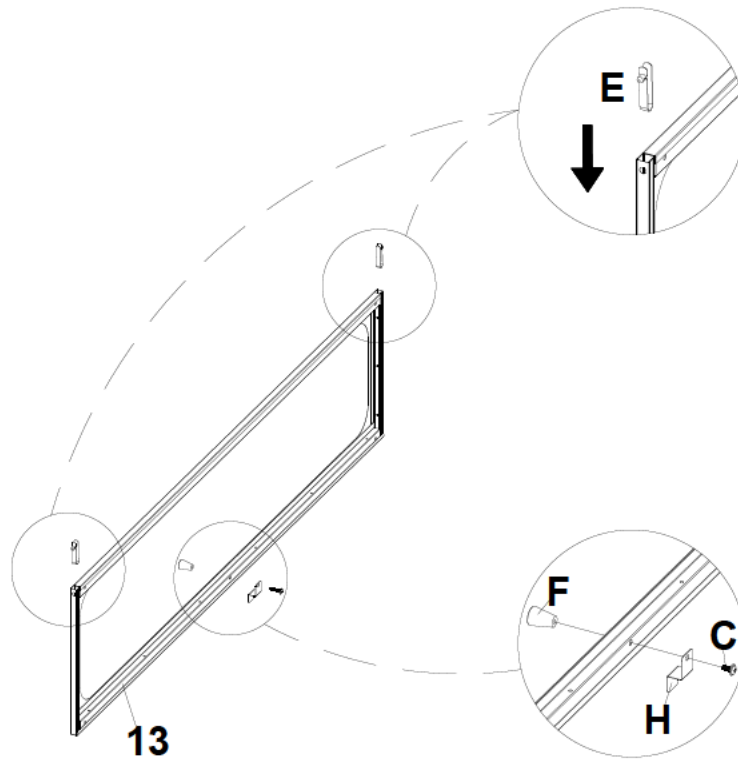


14



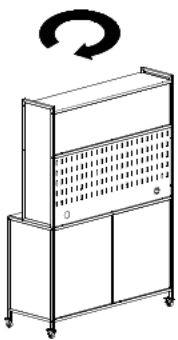
# 15

When installing, you will need to pinch the E fitting flat and install it to the top of the 13 door panel.

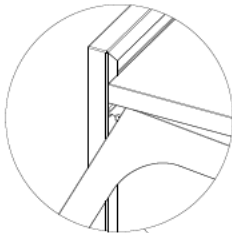


- |     |     |     |     |
|-----|-----|-----|-----|
| Cx1 | Ex2 | Fx1 | Hx1 |
|-----|-----|-----|-----|

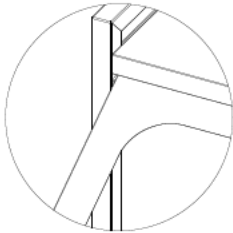
# 16



STEP 1



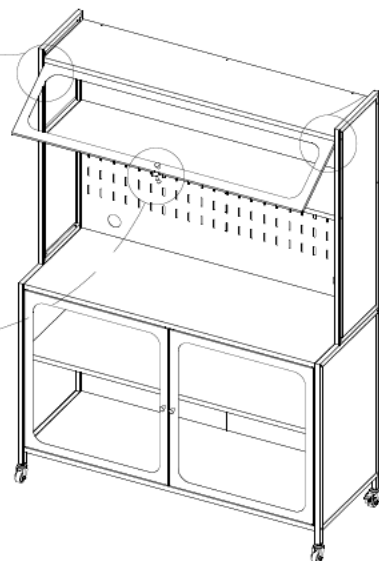
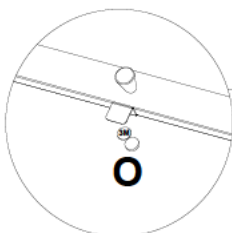
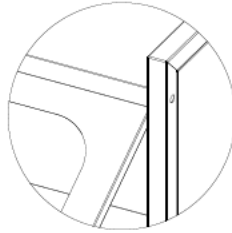
STEP 2



STEP 3

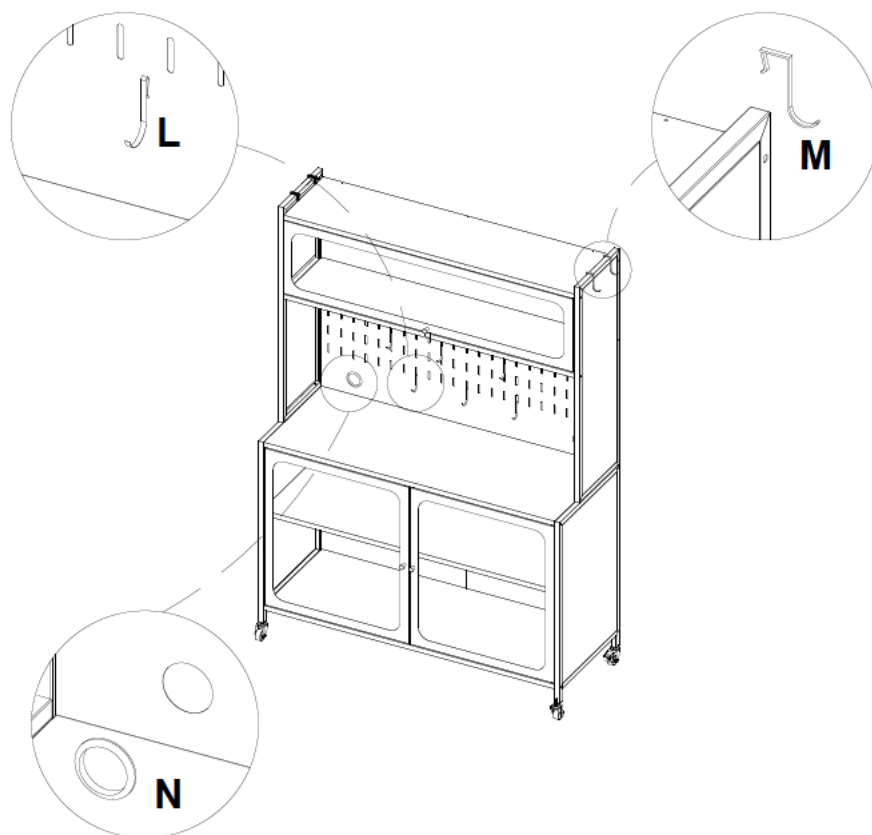


STEP 4



- |     |
|-----|
| Ox1 |
|-----|

17



 <b>Lx6</b>	 <b>Mx4</b>	 <b>Nx2</b>
--	--	--

18

